

## INTRODUCTION

Thank you for purchasing a Honda brushcutter.

This manual covers the operation and maintenance of the Honda brushcutter UMK450E.

Honda France manufacturing S. A. S. reserves the right to make changes at any time without notice and without incurring any obligation.

The illustrations in this manual show the most suitable model to represent the topic dealt with.

The other illustrations common to all types are based on the UMK450E XEET type.

The illustrations of the cutting attachment in this manual show the most suitable type to represent dealt with.

The other illustrations common to all types are based on the flexible cutting means or steel cutting means (3-teeth).

The illustrations in this manual may differ from those of your model.

No part of this publication may be reproduced without written permission.

This manual should be considered a permanent part of the brushcutter and should remain with it if it is resold.

### SAFETY MESSAGES

Pay special attention to statements preceded by the following words;

#### ▲ WARNING

Indicates a strong possibility of severe personal injury or death if instructions are not followed.

#### CAUTION:

Indicates a possibility of personal injury or equipment damage if instructions are not followed.

#### NOTE:

Gives helpful information.

### READ OWNER'S MANUAL

Carefully read the instructions in this manual before using your brushcutter. Familiarize yourself with how to use it correctly, and with its controls. Know how to stop the engine rapidly (see page 26).

Read and understand the safety instructions on pages 2 to 4 before operating the brushcutter.

Honda brushcutters are designed to give safe and dependable service if operated according to instructions.

#### ▲ WARNING

**Operating a brushcutter requires special effort to ensure the safety of the operator and the safety of others. Read and understand this Owner's Manual before operating the brushcutter; failure to do so could result in personal injury or equipment damage.**

If a problem should arise, or if you have any questions about the brushcutter, consult your servicing dealer.

2019 - Honda France Manufacturing S.A.S. - Pôle 45 - Rue des Châtaigniers  
45140 ORMES - FRANCE - All rights reserved

3RVR46000  
00X3R-VR4-6000

0919

Printed in France

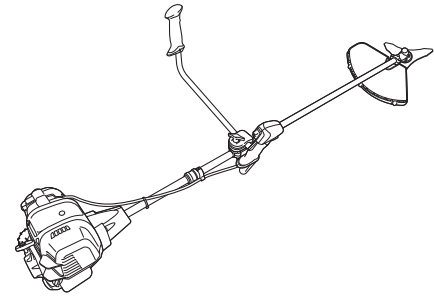
# HONDA

## OWNER'S MANUAL

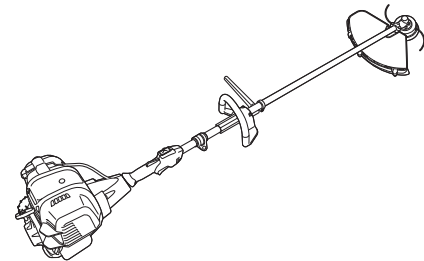
(Original Instructions)

### UMK450E Brushcutters

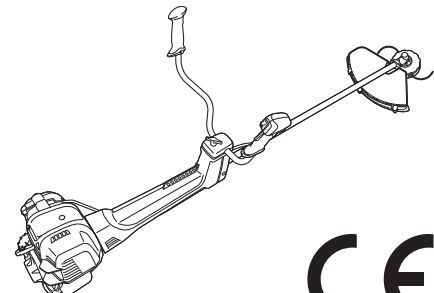
UEET TYPE



LEET TYPE



XEET TYPE



## CONTENTS

INTRODUCTION.....	1
HOW TO IDENTIFY YOUR MACHINE .....	2
SAFETY INSTRUCTIONS.....	2
SAFETY LABEL LOCATIONS.....	4
IDENTIFICATION OF MACHINE .....	5
COMPONENT IDENTIFICATION .....	6
ASSEMBLY INSTRUCTIONS.....	8
CONTROLS AND COMPONENTS.....	11
PRE-OPERATION CHECKS .....	14
STARTING THE ENGINE .....	23
TRIMMING OPERATION.....	24
STOPPING THE ENGINE .....	26
MAINTENANCE.....	27
TRANSPORTING.....	33
STORAGE .....	33
TROUBLESHOOTING .....	34
ACCESSORIES .....	35
DISPOSAL.....	35
TECHNICAL INFORMATION.....	35
SPECIFICATIONS .....	36
Major Honda distributor addresses .....	38
"EC Declaration of Conformity" CONTENT OUTLINE.....	39

ENGLISH

FRANCAIS

DEUTSCH

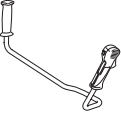



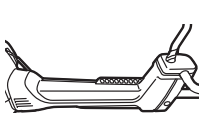
ITALIANO

NEDERLANDS

SVENSKA

## HOW TO IDENTIFY YOUR MACHINE

The model of your brushcutter is indicated on its "Identification label" by a series of letters.

	UEET	LEET	XEET
 Bike handle	•*		•*
 Loop handle		•	
 Flexible cutting means	•*	•*	•*
 Steel cutting means (3-teeth)	•*	•*	•*
 Anti-vibration system			•

\* The specifications may vary with each types.

\* For optional cutting attachment application, please refer to page 35.

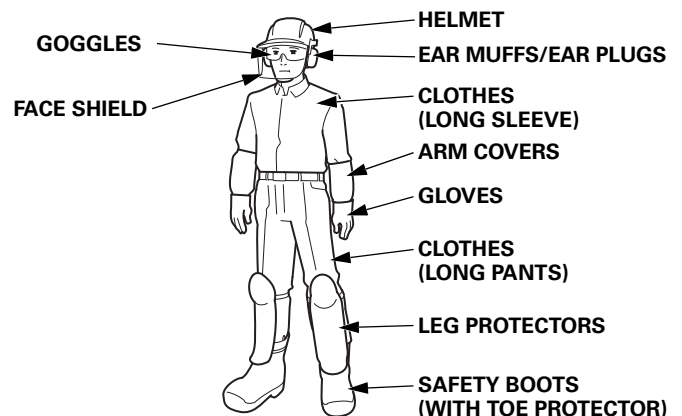
## SAFETY INSTRUCTIONS

### OPERATOR RESPONSIBILITIES

#### ▲ WARNING

- Never operate the brushcutter when tired, ill or under influence of alcohol or other drugs.
- Any part of the machine is a potential source of danger if the machine is used in abnormal conditions or if the maintenance is not done correctly.
- Never attempt to modify the brushcutter. It can cause an accident as well as damage to the brushcutter and appliances. Tampering with the engine voids the EU type-approval of this engine.
  - Do not connect an extension to the muffler.
  - Do not modify the intake system.
- Read the owner's manual carefully. Be familiar with the controls and the proper usage of the brushcutter. Know how to stop the engine rapidly.
- Use the brushcutter for the purpose it is intended for, which is trimming and brush cutting. Any other use could be dangerous or damage the brushcutter. Do not use the brushcutter as a pruning hook.
- Never allow children or people unfamiliar with this Owner's Manual to use the brushcutter. Local regulations may restrict the age of the operator.

- If you lend or resell your brushcutter to a third person, instruct him or her with how to handle the product and alert him or her to read the Owner's Manual carefully before operation.
- Never operate the brushcutter while:
  - people, especially children or pets are nearby.
- Never use the machine in cases of fatigue or illness of the user, or after consumption of medications, drugs, alcohol or dangerous substances which might interfere with his ability regarding reflexes and concentration.
- Keep people and pets at least 15 m (49 ft) away from the operator during operation. Note that an assistant to the operator should work at least 15 m (49 ft) away from the operator, too. We recommend deciding the engine stop signal and other signals between the operator and assistant in advance, and using them for safety during operation.
- Keep in mind that the operator or user is responsible for accidents or hazards that occur to other people or their property.
- While operating the brushcutter, always wear the following protective clothing and protective devices.
  - Protective clothing
    - Wear adequate clothes with long sleeves and long pants. The clothes must fit your body and button up or zip up securely. Do not leave the sleeves and bottom of the shirt/jacket loose. Wear the arm covers, too.
    - Do not wear clothes with tapes, laces and/or ribbons, loose clothes, neckties, necklaces, etc. during operation. They can be caught in the brushcutter in weed causing injury. Tie your hair if it is long, and do not let your hair below your shoulder.
  - Protective devices
    - \* **Goggles**  
Wear goggles or other eye protection to protect your eyes from the debris that is thrown by the rotating cutting attachment.
    - \* **Helmet**  
Wear a helmet to protect your head from the overhead branches and falling material.
    - \* **Face shield**  
Wear a face shield to protect your face from debris thrown by the rotating cutting attachment.
    - \* **Ear muffs/ear plugs**  
Wear ear muffs, ear plugs or other hearing protection to protect your ears from the noise.
    - \* **Gloves**  
Wear gloves to protect your hands.
    - \* **Safety boots**  
Wear safety boots with non-slip sole and toe protector to protect your feet from flying debris. Do not operate the brushcutter when barefoot or wearing open sandals. Wear leg protectors as well.
    - \* **Dust mask**  
We recommend that you wear a dust mask if you suffer from the allergic rhinitis, e.g. pollenosis, etc. Dust masks are available at pharmacies and are helpful for reducing the amount of pollens you breathe.





- Before each use, visually inspect the brushcutter including a cutting attachment for any damage and looseness of fastening parts.
- Never operate the machine if there is a risk of adverse weather such as lightning or a storm, stop operation.
- Walk, never run during operation.
- Avoid operating the brushcutter on a steep slope. Steep slopes are very slippery, so you might slip down.
- Do not operate the brushcutter with the cutting attachment guard, labels, and other parts removed.  
Note that the cutting attachment guard is provided for protection of the operator from the debris that are thrown from the rotating cutting attachment.  
Never operate the brushcutter with the cutting attachment guard removed or before installing the cutting attachment guard in the proper position securely.
- Do not mount an incorrect part and do not tamper with the brushcutter as it can result in personal injury and/or equipment damage. Use the cutting attachment that is designated for your model and application.
- Before cranking the engine, be sure to check that the cutting attachment does not come into contact with the ground or any obstruction. Failure to do so may result in losing control of the brushcutter.
- Start the engine carefully according to instructions and with hands and feet well away from the cutting attachment.
- Start the brushcutter on a level surface, free of high grass or obstacles.
- Do not raise the cutting attachment above your knee height during operation. You can be hit by the debris thrown by the wheeling cutting attachment in your eyes and face, causing injury.
- Never carry the brushcutter while the cutting attachment is turning. Before you carry the brushcutter be sure to stop the engine and confirm the cutting attachment stops turning.
- Stop the engine with the engine switch in the OFF position in the following cases:
  - Before any operation around the cutting attachment.
  - Before checking, cleaning or working on the brushcutter.
  - After striking a foreign object. Inspect the brushcutter for damage and make repairs before restarting and operating the brushcutter again.
  - If the brushcutter starts to vibrate abnormally. Inspect immediately the cause of the vibration and perform the necessary repair.
  - Whenever you leave the brushcutter unattended.
  - Before refueling.
  - When person or pet is approaching.
  - Shut off the engine immediately when the brushcutter shows abnormal vibration suddenly. Sudden vibration suggests damaged rotating parts or loose fasteners. Examine the cause of the problem, and do not start the engine before repair is made.
  - When wires catch on the rotating cutting attachment and flap around. Remove the wires after the cutting attachment has stopped turning.
  - Before placing the brushcutter on the ground, make sure the cutting attachment stops turning as well.  
Note that the cutting attachment turns by inertia right after returning the throttle control trigger and while the engine is idling.
- Regularly remove the tangled grass and brush from the cutting attachment (if there is a blockage, clean the area of the cutting attachment or cutting attachment guard, taking care to stop the engine).
- For machine with a clutch, routines for checking that the cutting attachment stops turning when the engine idles.
- Make sure the handles are clean and dry, free of oil and other soiling.
- The brushcutter is faulty when the engine is idling by returning the throttle but the cutting attachment keeps turning, and idle speed adjustment must be made. Consult your servicing dealer.
- Keep all nuts, bolts and screws tight to be sure the brushcutter is in safe working condition. Regular maintenance is an essential aid to user's safety and retaining a high level of performance.
- Do not use the brushcutter with worn or damaged parts. Parts must be replaced, or repaired. Replace worn or damaged parts with Honda genuine parts or its equivalent. Non equivalent quality parts may damage the machine and be prejudicial to your safety.
- Adjust the holding position of your brushcutter.  
Be sure to adjust the holding position with the engine stopped. Adjust the double harness so that the quick-release mechanism is positioned at your hip. Hook the brushcutter to the double harness. Adjust the double harness length so that the cutting attachment is parallel to the ground and stays above the ground keeping the clearance. Note that it might be hard to hold the brushcutter in the correct position if you are very tall. Do not operate the brushcutter if the cutting attachment is close to your feet when you hold the brushcutter at the correct position.
- Check the balance of the brushcutter between its front and rear sides for proper control and less fatigue.  
Hold the brushcutter in the correct position as described in this manual. Slacken your grip on the handle gradually. Do not release but put your hands lightly on the handle and check that the cutting attachment-to-ground clearance does not change significantly. Balancing adjustment is necessary if the cutting attachment rises above your knees. Do not operate the brushcutter without the balancing adjustment.
- Hold the brushcutter firmly with both of your hands during operation to keep the brushcutter under control at all times.
- Injury caused by vibration and cold:  
You may feel prickling or burning pain in your fingers, and the fingers may lose colour and feeling depending on your constitution. It is believed that these symptoms are brought by vibration and/or exposure to cold. The specific trigger point of these symptoms are not identified yet, but observe the following instructions.
  - Limit the amount of time you spend operating the brushcutter in a day.  
A day's work should consist of the work with the brushcutter and other work without the hand-held equipment so you can limit the amount of time when your hands are exposed to the machine vibration.
  - Keep your body warm, especially your hands, wrists and arms.
  - Take your breaks at shorter intervals and arm exercises well to maintain good blood circulation. Do not smoke while working.
  - When you feel discomfort, redness and swelling of the fingers followed by whitening and loss of feeling, consult your doctor promptly.  
If you feel that the brushcutter vibrates excessively, have your brushcutter inspected at your servicing dealer.
- Injury caused by repeated operation:  
Performing the repeated operation for a prolonged time may cause injury. Observe the following instructions to reduce the causes of the injury.
  - \* Avoid repeated operation of using your wrist(s) in a bent, stretched or twisted position.
  - \* Take breaks regularly to minimize the effect of repeated operation. Take your time when performing repeated operation. Do not rush to operate the brushcutter.
  - \* When your fingers, hands, wrists and/or arms are throbbing or numb, consult your doctor.

## CHILD SAFETY

- Keep children indoors and supervised anytime an outdoor power brushcutter is being used nearby. Young children move quickly and are attracted especially to the brushcutter and trimming activity.
- Never assume children will remain where you last saw them. Be alert and turn the brushcutter off if children enter the area.
- Children should never be allowed to operate the brushcutter, even under adult supervision.

## THROWN OBJECT HAZARD

Objects hit by the rotating cutting attachment can be thrown from the brushcutter with great force, and may cause serious injury.

- Thoroughly inspect the area where the brushcutter is to be used and remove all objects (stones, branches, wires, bones, etc.) which may be thrown by the rotating cutting attachment.

## FIRE AND BURN HAZARD

Petrol is extremely flammable, and petrol vapour can explode. Use extreme care when handling petrol. Keep petrol out of reach of children.

- Store fuel in containers specifically designed for this purpose.
- Refuel outdoors only, and do not smoke while refueling or handling fuel.
- Add fuel before starting the engine. Never remove the cap of the fuel tank or add petrol while the engine is running or when the engine is hot.
- If petrol is spilled, do not attempt to start the engine. Move the brushcutter away from the area of spillage and avoid creating any source of ignition until petrol vapours have dissipated.
- Tighten all fuel tanks and container caps securely. When you start the engine after refueling, be sure to start the engine at least 3 m (10 ft) away from the refueling spot.
- Never store the brushcutter with petrol in the tank inside a building where fumes may reach an open flame, spark or high temperature source.
- Allow the engine to cool before storing in any enclosure.
- To reduce fire hazard, keep the brushcutter, especially the engine, muffler, as well as the petrol storage area, free of grass, leaves, or excessive grease. Do not leave containers of vegetable matter in or near a building.
- If the fuel tank has to be drained, this should be done outdoors, with a cold engine.

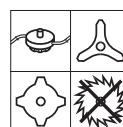
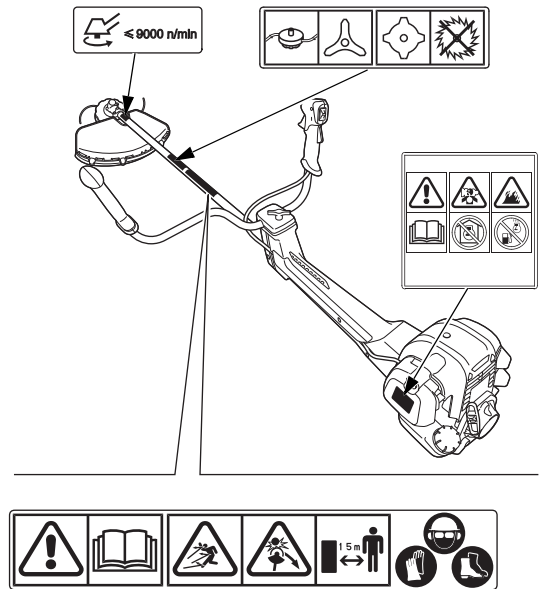
## CARBON MONOXIDE POISONING HAZARD

Exhaust contains poisonous carbon monoxide, a colourless and odorless gas. Breathing exhaust can cause loss of consciousness and may lead to death.

- If you run the engine in an area that is confined or even partially enclosed, the air you breathe could contain a dangerous amount of exhaust gas. To keep exhaust gas from building up, provide adequate ventilation.
- Replace faulty muffler.
- Do not operate the engine in a confined space where dangerous carbon monoxide fumes can collect.

## SAFETY LABEL LOCATIONS

Your brushcutter must be used with care. Therefore, decals have been placed on the machine, to remind you pictorially of main precautions to take during use. Their meanings are explained in this chapter. These decals are considered a part of the brushcutter. Should one become detached or unreadable, contact your servicing dealer for its replacement.

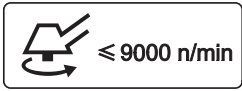


- Honda brushcutter is designed to give safe and dependable service if operated according to instructions. Read the Owner's manual carefully, and follow all warnings and safety instructions. Failure to do so could result in personal injury or brushcutter damage.

- Keep all persons and pets away from the brushcutter operating area.
- Machine fitted with a steel cutting means can be thrown violently to the side when the steel cutting means comes into contact with solid objects. To prevent accidental contacts with the rotating steel cutting means or thrown objects from the rotating cutting attachment, keep people and pets at least 15 m (49 ft) away from the brushcutter when it is in use.

- Wear eye and hearing protection.
- Wear head protection, where there is a risk of falling objects.
- Wear slip-resistant footwear and gloves.

- The brushcutter is to be used with a nylon line, metal disc cutting attachment or circular saw blade. When you use the brushcutter with a circular saw blade, change the standard cutting attachment guard to the optional cutting attachment guard for circular saw blade. Do not use a circular saw blade with the standard cutting attachment guard.



- When replacing the steel cutting means, please use a blade which is designed for a maximum rotational speed of 9,000 n/min or above.



- Petrol is highly flammable and explosive. Stop the engine and let cool before refueling.

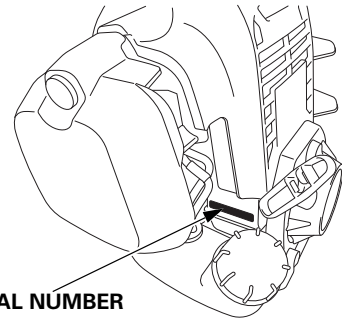


- The engine emits toxic poisonous carbon monoxide gas. Do not run in an enclosed area.

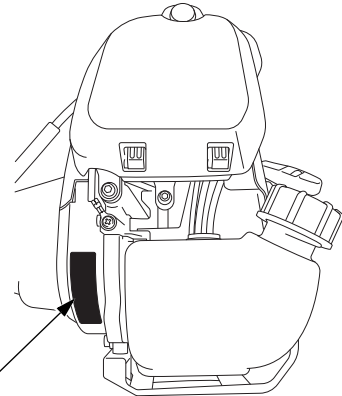


- Read Owner's Manual before operation.

## IDENTIFICATION OF MACHINE

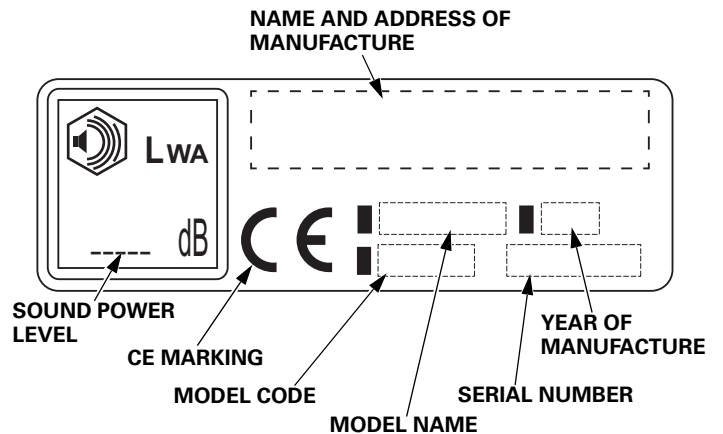


ENGINE SERIAL NUMBER



IDENTIFICATION PLATE

### IDENTIFICATION PLATE



Record the frame serial number, engine serial number, and date purchased in the spaces below. You will need this information when ordering parts, and when making technical or warranty inquiries.

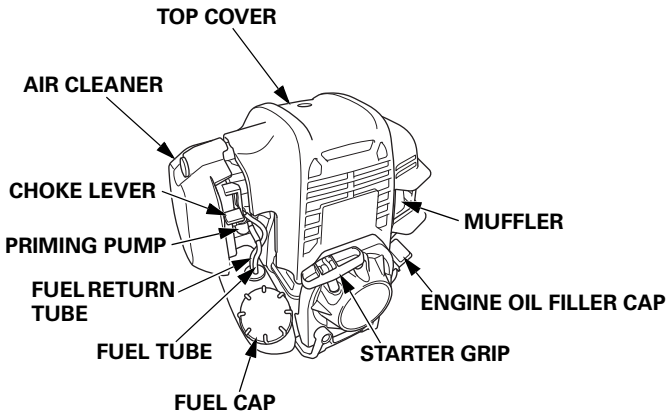
Frame serial number

Engine serial number

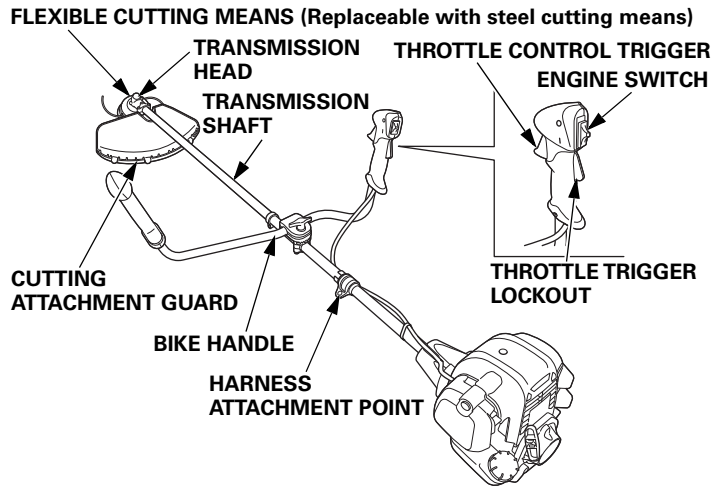
Date purchased

# COMPONENT IDENTIFICATION

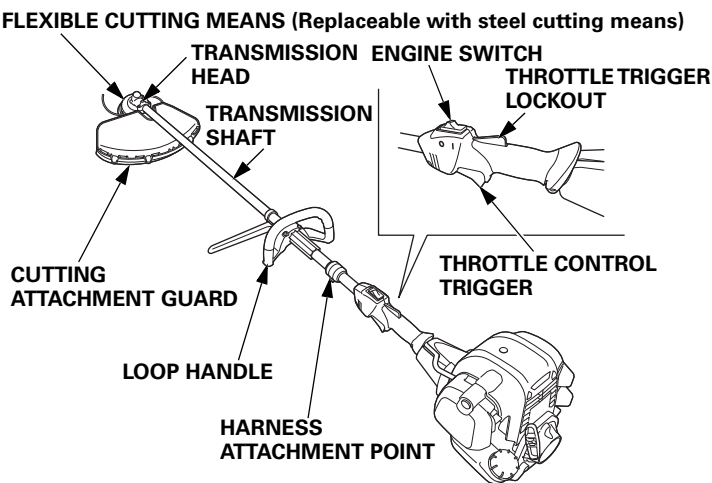
## ENGINE (ALL TYPES):



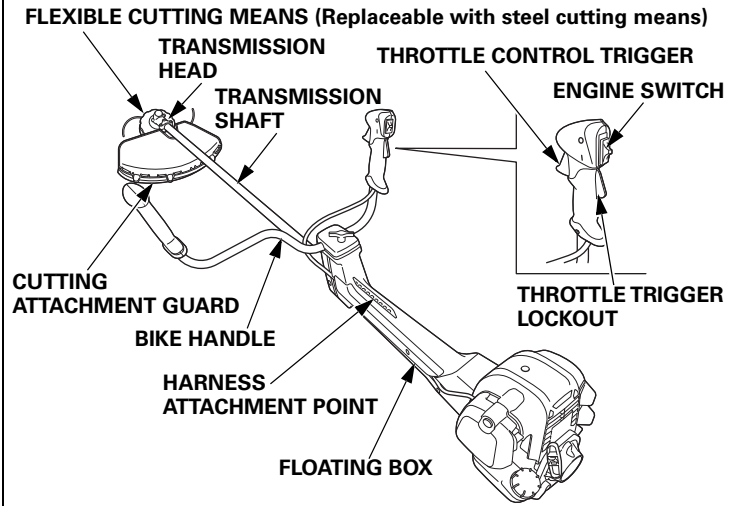
## FRAME (UEET TYPE):



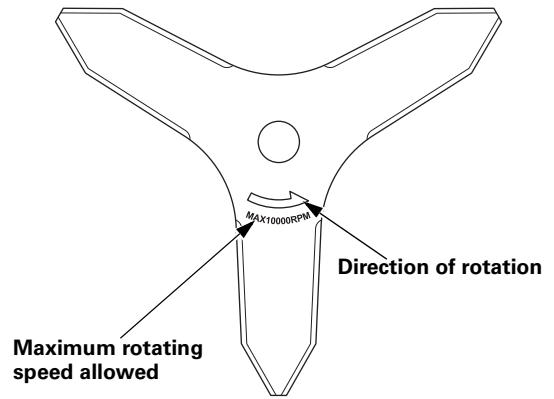
## FRAME (LEET TYPE):



## FRAME (XEET TYPE):

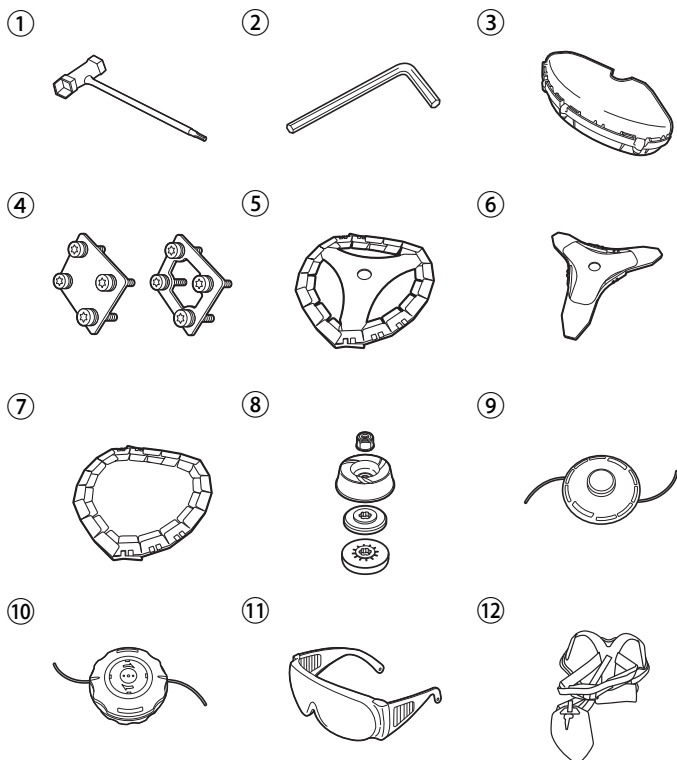


## DENOTATION OF THE STAMP ON THE STEEL CUTTING MEANS (3-TEETH):



## LOOSE PARTS

Refer to the followings and check the enclosed parts.



- ① 16 x 19 mm wrench
- ② 4 mm hexagon wrench
- ③ Cutting attachment guard
- ④ Spacer and four bolts (left: UEET and LEET types, right: XEET type)
- ⑤ Steel cutting means (3-teeth) and cover (UEET and LEET types)
- ⑥ Steel cutting means (3-teeth) and cover (XEET type)
- ⑦ Cutting means cover for optional steel cutting means (XEET type)
- ⑧ Spacer A, spacer B, stabilizer and cutting means nut (From the bottom)
- ⑨ Flexible cutting means (UEET and LEET types)
- ⑩ Flexible cutting means (XEET type)
- ⑪ Goggles
- ⑫ Double harness



## ASSEMBLY INSTRUCTIONS

Proper assembly is essential to operator safety and the reliability of the brushcutter. Any error or oversight made by the person assembling and servicing a brushcutter can result in faulty operation, damage to the machine, or injury to the operator.

### ▲WARNING

**Improper assembly can cause an unsafe condition that can lead to serious injury or death.**

**Follow the procedures and precautions in the assembly instructions carefully.**

### ADDING ENGINE OIL

The brushcutter is shipped WITHOUT OIL in the engine. Add recommended oil (page 31) to bring to the upper limit. To add the engine oil, please refer to page 31.

#### NOTE:

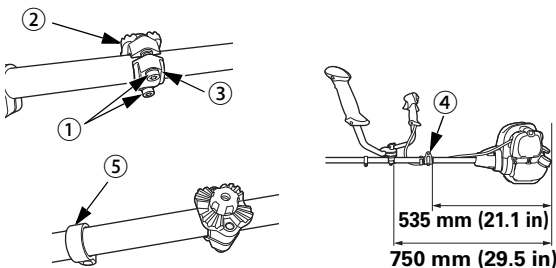
The engine may be seriously damaged if the engine runs with insufficient engine oil. Add engine oil to the upper limit before using the brushcutter.

Do not use nondetergent oil or 2-stroke engine oil. These oils could shorten the engine service life.

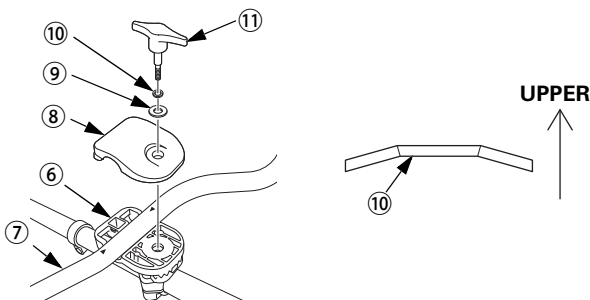
### INSTALLATION OF THE HANDLE

#### UEET type

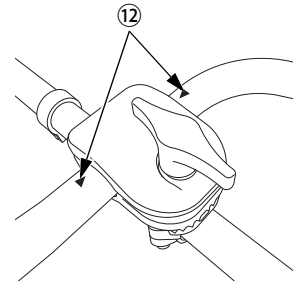
- Loosen two bolts ①. Slide the handle holder B ② and the handle holder C ③ to the standard position (shown in the figure below) and tighten the two bolts ①. Tightening torque: 9.8 N·m (1.0 kgf·m). Check that the position of the harness attachment point ④. The standard positions are shown in the figure below. The position of the handle holder can be adjusted afterwards if required. For safety, the handle bar and handle holder must not be installed beyond the safety collar ⑤.



- Place the handle holder D ⑥ on the handle holder B ②. Then place the handle bar ⑦ on the handle holder D ⑤. Install the handle holder A ⑧, plane washer ⑨ and conical washer ⑩. Tighten the handle adjuster bolt ⑪ lightly. Be careful of the conical washer direction. The convex side faces the upper side.

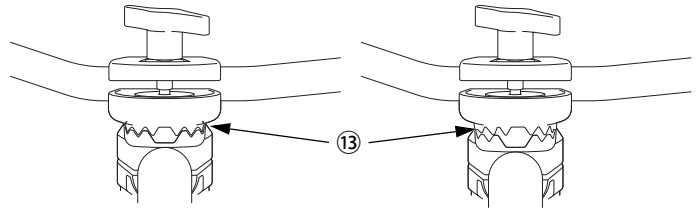


- Adjust the handle bar lateral position and angle. Two arrows ⑫ on the handle bar must be visible. To adjust the handle bar angle, refer to page 19.



- Fit the serration faces ⑬ correctly and tighten the adjuster bolt ⑩ securely.

**OK (Serration faces fit correctly)    NG (Serration faces fit incorrectly)**

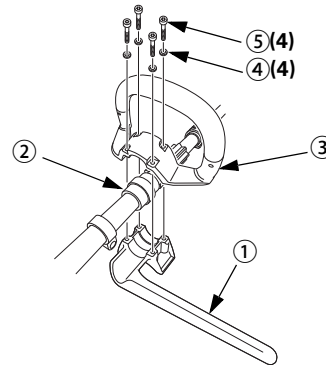


#### NOTE:

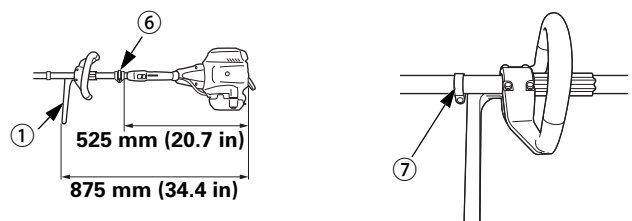
When tightening the adjuster bolt, make sure that the serration faces fit correctly. If the adjuster bolt is tightened with incorrectly fitted serration faces, the adjuster bolt may be broken.

#### LEET type

- Place the protector ① on the underside of the rubber ② on the transmission shaft. Place the loop handle ③ on the upper side of the rubber ②. Install four washers ④ and four bolts ⑤. Tighten the four bolts ⑤ lightly. Tightening torque: 1.8 N·m (0.2 kgf·m)



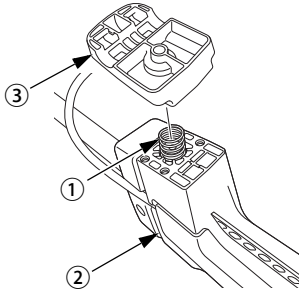
- Check that the position of the loop handle ① and harness attachment point ⑥. The standard positions are shown in the figure below. Adjust their positions if necessary. The position of the loop handle can be adjusted afterwards if required. For safety, the loop handle must not be installed beyond safety collar ⑦.



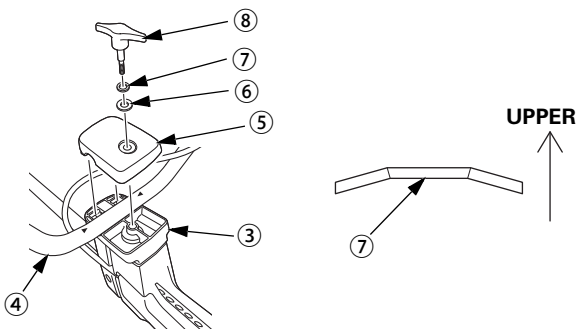
- Tighten the four bolts ⑤ securely.

## XEET type

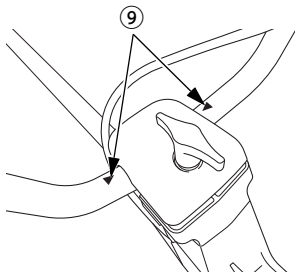
- Place the spring ① on the hole of the floating box ②. Then place the handle holder B ③ on the floating box ②.



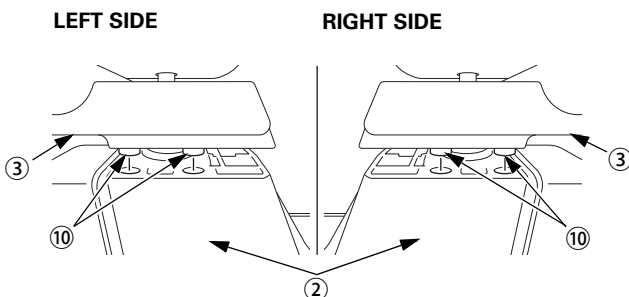
- Place the handle bar ④ on the handle holder B ③. Install the handle holder A ⑤, plane washer ⑥ and conical washer ⑦. Tighten the handle adjuster bolt ⑧ lightly. Be careful of the conical washer direction. The convex side faces the upper side.



- Adjust the handle bar lateral position and angle. Two arrows ⑨ on the handle bar must be visible. To adjust the handle bar angle, refer to page 19.



- Lightly press the handle holder A ⑤ and tighten the handle adjuster bolt ⑧ securely. Make sure the four tabs ⑩ on the handle holder B ③ are engaging with the holes of the floating box ②.



## INSTALLATION OF THE CUTTING ATTACHMENT

### ▲ WARNING

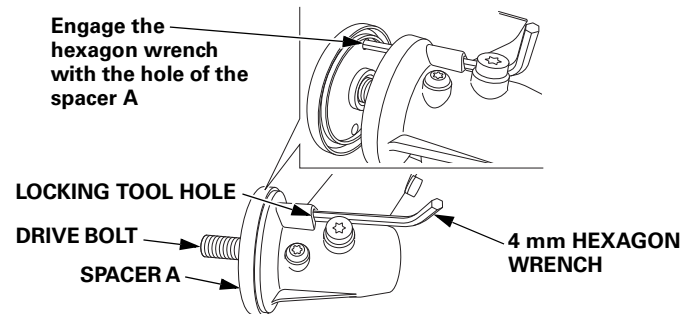
- To avoid severe personal injury, make sure that the engine switch is in the OFF position to prevent accidental starting.
- For safety, inspect the cutting attachment for wear and damage and check the tightness of the cutting attachment before starting the engine. Operating the brushcutter with a worn, cracked, or damaged cutting attachment can cause a personal injury or brushcutter damage. A worn, cracked or damaged attachment can break and pieces of the damaged attachment can hit the operator or bystanders, causing death or serious injury.

### CAUTION:

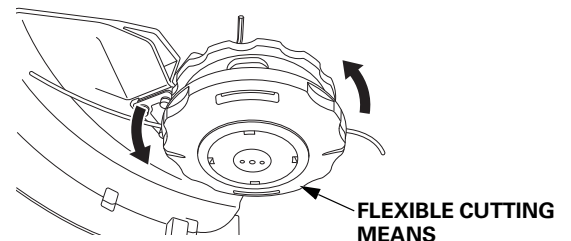
- Wear heavy gloves to protect your hands when servicing around the cutting attachment.

### Flexible cutting means

- Make sure the spacer A is installed in the transmission head.
- Insert the 4 mm hexagon wrench into the locking tool hole to keep the drive bolt from turning.



- Turn the flexible cutting means counter-clockwise to install it to the transmission head.



## Steel cutting means

### CAUTION:

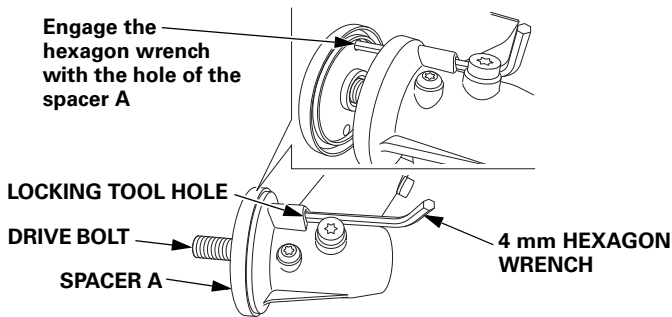
- To avoid personal injury, install the cutting means cover to the steel cutting means before servicing around the steel cutting means.

To install the cutting means cover, please refer to page 14.

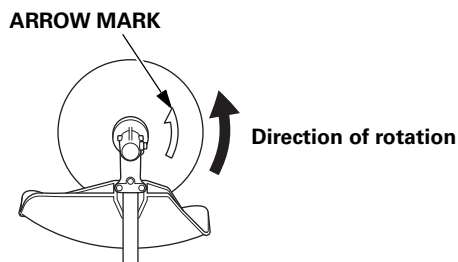
Steel cutting means (3-teeth) specifications:

UEET, LEET types: Diameter with 255 mm (10.0 in), 3-teeth blade, maximum rotating speed allowed is less than  $10,000 \text{ min}^{-1}(\text{rpm})$   
 XEET type: Diameter with 303 mm (11.9 in), 3-teeth blade, maximum rotating speed allowed is less than  $10,000 \text{ min}^{-1}(\text{rpm})$   
 For optional steel cutting means, please consult your servicing dealer.

1. Insert the 4 mm hexagon wrench into the locking tool hole to keep the drive bolt from turning.



2. Install the steel cutting means. Make sure that the projection of the spacer A aligns with the cutting means hole. Confirm the arrow mark on the steel cutting means and install it in the correct direction.



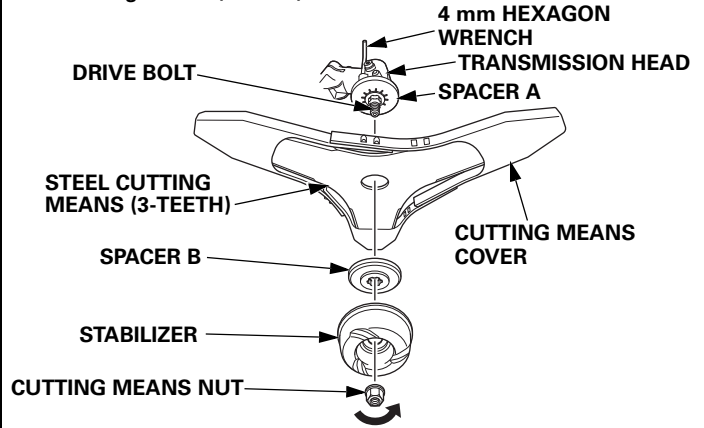
3. Install the spacer B, the stabilizer and the cutting means nut. Tighten the cutting means nut to the specified torque. The drive bolt and cutting means nut use left-hand threads. Turn counter-clockwise to install.

Tightening torque of the cutting means nut:

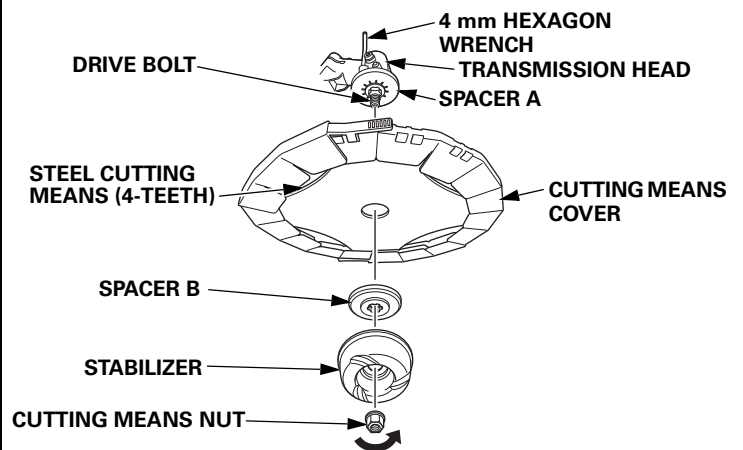
UEET, LEET:  $19.2 \text{ N}\cdot\text{m}$  (1.9  $\text{kgf}\cdot\text{m}$ )

XEET:  $29.0 \text{ N}\cdot\text{m}$  (3.0  $\text{kgf}\cdot\text{m}$ )

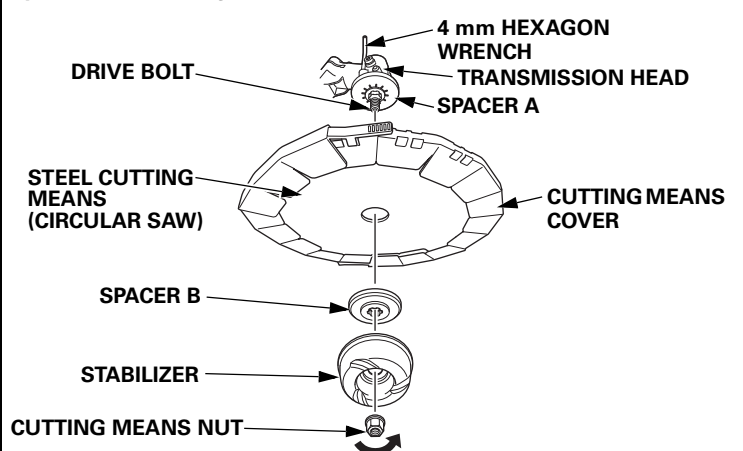
### Steel cutting means (3-teeth):



### Optional steel cutting means (4-teeth):



### Optional steel cutting means (circular saw):



### ⚠ WARNING

- Use the steel cutting means (circular saw) only with UEET and XEET types. Never use it with LEET type. LEET type is not designed to be used with the steel cutting means (circular saw) and operating LEET type with the steel cutting means (circular saw) may cause an unexpected accident.
  - Never install the steel cutting means (circular saw) in the opposite direction. When install, confirm the arrow mark on the steel cutting means (circular saw) and install it in the correct direction.
  - The steel cutting means (circular saw) must be fitted together with the optional cutting attachment guard (see page 11).
4. After tightening the cutting means nut, turn the steel cutting means with your hand and check that it is installed in the centre properly. Check that the steel cutting means is neither eccentric nor interfering with any neighboring part.

## INSTALLATION OF THE CUTTING ATTACHMENT GUARD

### ▲WARNING

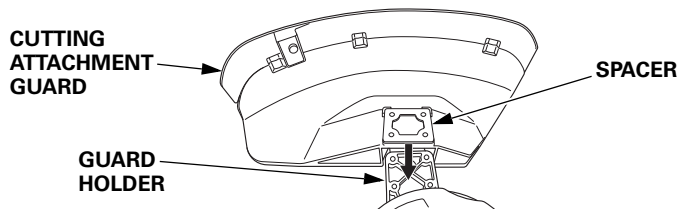
- Install the cutting attachment guard in the proper position securely to protect you from the debris that are thrown from a rotating cutting attachment.
- Never use the brushcutter without the cutting attachment guard. Stones or other foreign objects thrown outward by the rotating cutting attachment or contact with the rotating cutting attachment could cause personal injury or property damage.

### CAUTION:

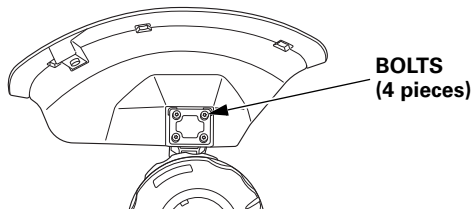
- Wear heavy gloves to protect your hands when servicing around the cutting attachment.

### Standard cutting attachment guard for steel cutting means (3-teeth and 4-teeth) and flexible cutting means:

1. Place the spacer on the cutting attachment guard. Then attach them to the guard holder on the transmission head.



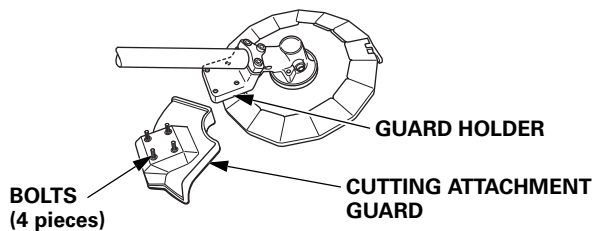
2. Install four bolts. Tighten them securely using the Torx wrench side of the 16 x 19 mm wrench. Tightening torque of the bolt: 5.5 N·m (0.6 kgf·m)



The lower piece of cutting attachment guard must be detached when operating with the steel cutting means (3-teeth and 4-teeth). To detach, see the page 16.

### Optional cutting attachment guard for steel cutting means (circular saw):

Fit the cutting attachment guard to the guard holder on the transmission head. Install the spacer and four bolts. Tighten them Torx wrench side of the 16 x 19 mm wrench. Tightening torque of the bolt: 5.5 N·m (0.6 kgf·m) Standard spacer and bolts can be used.

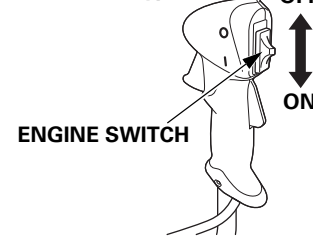


## CONTROLS AND COMPONENTS

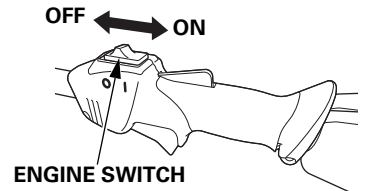
### ENGINE SWITCH

The engine switch enables and disables the ignition system. The engine switch must be in the ON position to run the engine. Turning the engine switch to the OFF position stops the engine.

UEET, XEET types



LEET type

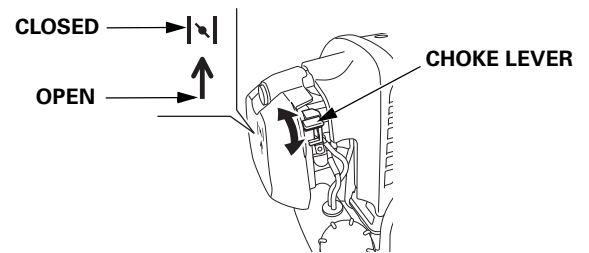


### CHOKE LEVER

The choke lever opens and closes the choke valve in the carburetor.

CLOSED position enriches the fuel mixture for starting a cold engine.

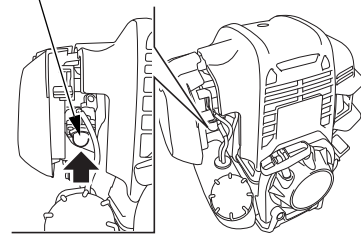
OPEN position provides the correct fuel mixture for operation after starting, and for restarting a warm engine.



### PRIMING PUMP

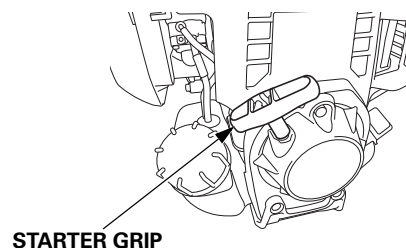
Pressing the priming pump feeds the petrol from the fuel tank to the carburetor. This procedure is necessary for starting the engine.

PRIMING PUMP



### STARTER GRIP

Pulling the starter grip operates the recoil starter to crank the engine for starting.



## THROTTLE CONTROL TRIGGER

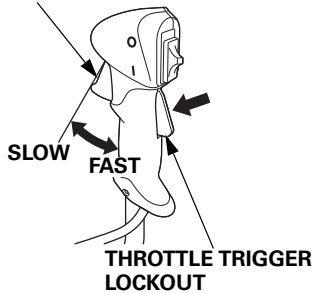
The throttle control trigger controls engine speed. Pulling and releasing the throttle control trigger shown below makes the engine run faster or slower.

The throttle trigger lockout makes the throttle control trigger operable. The throttle control trigger cannot be pulled unless the throttle trigger lockout has been pushed beforehand.

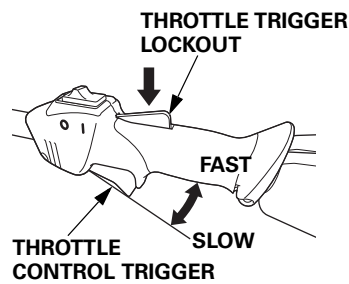
By pulling the throttle control trigger gradually, the engine speed increases and the cutting attachment starts to run. Pull the throttle control trigger more to accelerate the engine speed and the cutting rotating speed. By releasing the throttle control trigger, the engine speed decreases and the cutting attachment keeps turning for a while by inertia, then it stops.

### UEET, XEET types

#### THROTTLE CONTROL TRIGGER



### LEET type



## HARNES ATTACHMENT POINT AND HOOK

When operating the brushcutter, wear the double harness (see page 20) and set the hook on the harness attachment point.

### ▲WARNING

- Be sure to wear the double harness before using the brushcutter. Otherwise, injuries might occur due to its instability.
- For operator safety and comfort, it is important to adjust the harness straps so they can be worn comfortably and so that the machine is properly balanced in the working position.

### UEET, LEET types:

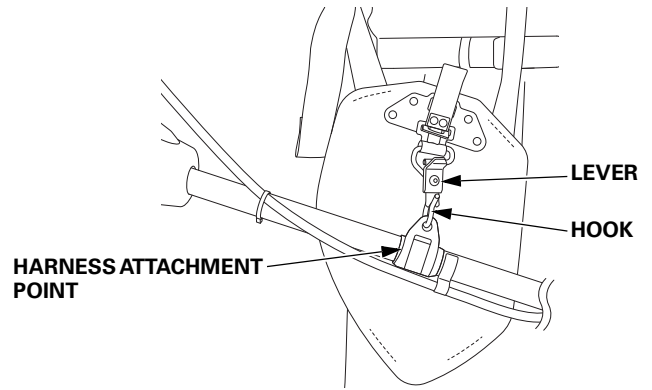
The harness attachment point has one hole for hooking. To detach the brushcutter from the hook, press the lever on the hook and release the harness attachment point from the hook.

### XEET type:

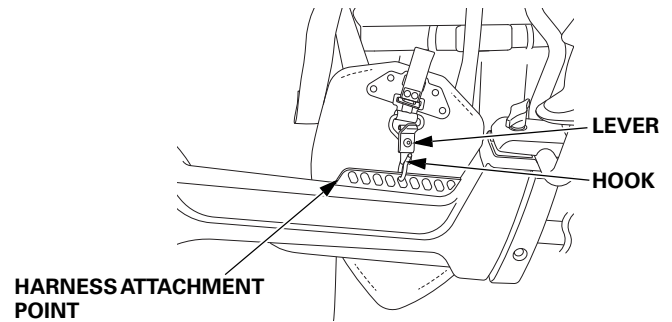
The harness attachment point has nine holes for hooking. You can choose the harness attachment point hole to set the hook as you can gain appropriate balance. To detach the brushcutter from the hook, press the lever on the hook and release the harness attachment point from the hook.

To balance the brushcutter when it is on the hook, see page 19.

### UEET, LEET types



### XEET type



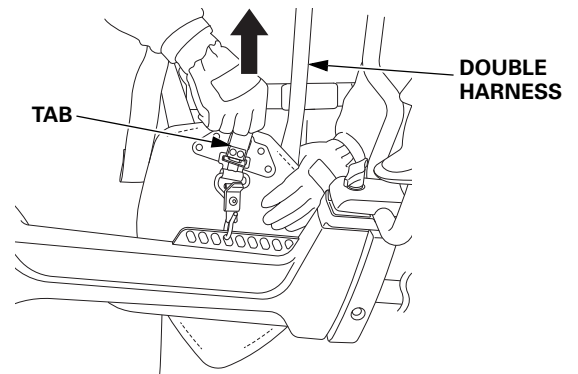
## QUICK-RELEASE MECHANISM

### NOTE:

- When the quick-release mechanism is used to detach the brushcutter, the brushcutter may fall down. When you check function of the quick-release mechanism, do not attach the brushcutter to the hook on the waist pad to prevent the brushcutter from falling down and being damaged.

The tab of the quick-release mechanism is provided to detach the brushcutter from your body in an emergency. Pull up the tab of the quick-release mechanism and push the brushcutter away to detach the brushcutter from the double harness.

After releasing the brushcutter by quick-release mechanism, the hook remains on the harness attachment point. Attach the hook to the waist pad after using the quick release latch.



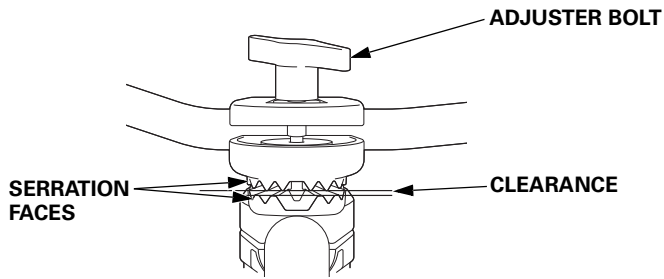


### FOLDING THE HANDLE BAR (UEET, XEET TYPES ONLY)

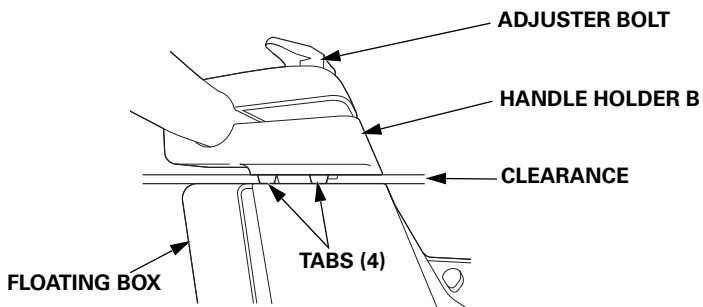
The handle bar can be folded for storage and transportation.

1. Loosen the adjuster bolt 6 - 7 turns.
2. (UEET type) Make sure there is enough clearance between the serration faces.  
(XEET type) Make sure the tabs on the handle holder B are not engaged with the holes of the floating box.

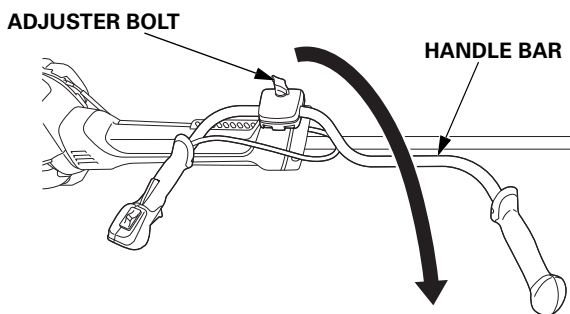
#### UEET type



#### XEET type



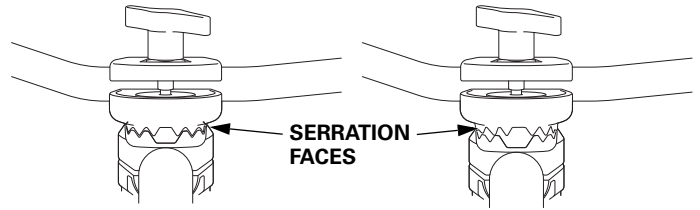
3. Rotate the handle holder 90 degrees and fold the handle bar left or right. Be careful not to fold the handle bar over 90 degrees.



4. (UEET type) Fit the serration faces correctly and tighten the adjuster bolt.  
(XEET type) Tighten the adjuster bolt. Note that the clearance between handle holder B and the floating box will remain even after tightening the adjuster bolt.

#### UEET type only:

OK (Serration faces fit correctly) NG (Serration faces fit incorrectly)

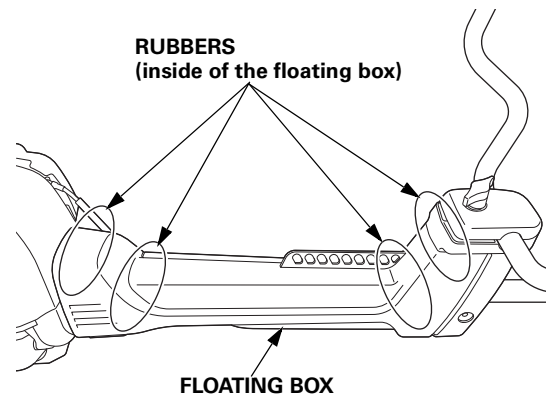


#### NOTE:

When tightening the adjuster bolt, make sure that the serration faces fit correctly. If the adjuster bolt is tightened with incorrectly fitted serration faces, the adjuster bolt may be broken.

#### ANTI-VIBRATION SYSTEM (XEET TYPE ONLY)

Anti-vibration system reduces handle vibration with floating box structure. The floating box is supported by rubbers which are mounted at the handle holder section and clutch housing. If you feel that the control grip vibration is excessive, contact your servicing dealer.



## PRE-OPERATION CHECKS

For safe and efficient trimming, always conduct pre-operation checks.

### ⚠ WARNING

- Any part from the machine is a potential source of danger if the machine is used in abnormal conditions or if maintenance is not done correctly.
- Perform the pre-operation checks on a firm, level surface with the cutting attachment stopped and make sure that the engine switch is in the OFF position.

Before each use, look around and underneath the engine for signs of oil or petrol leaks.

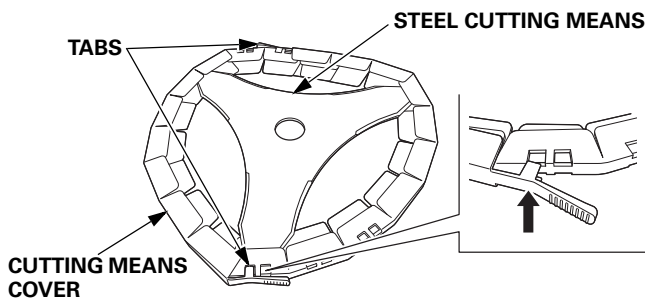
### CLEAN THE CUTTING ATTACHMENT GUARD

Before each use, clean the debris, grass or any other foreign object on the cutting attachment guard.

### INSTALLATION OF THE CUTTING MEANS COVER

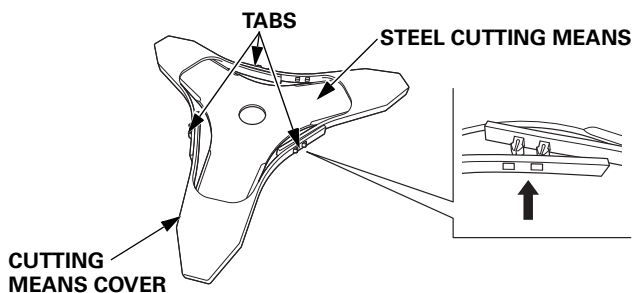
**Steel cutting means (3-teeth) for UEET and LEET types**  
**Steel cutting means (4-teeth and circular saw) for UEET, LEET and XEET types**

Detach the tab, roll up the cutting means cover on the tips of the steel cutting means so that the tips of the steel cutting means are fully covered with the cutting means cover. Fasten the tabs securely.



**Steel cutting means (3-teeth) for XEET types**

Install the cutting means covers on the tips of the steel cutting means (3-teeth). Make sure the tips of the steel cutting means (3-teeth) are fully covered with the cutting means covers. Fasten the tabs securely.



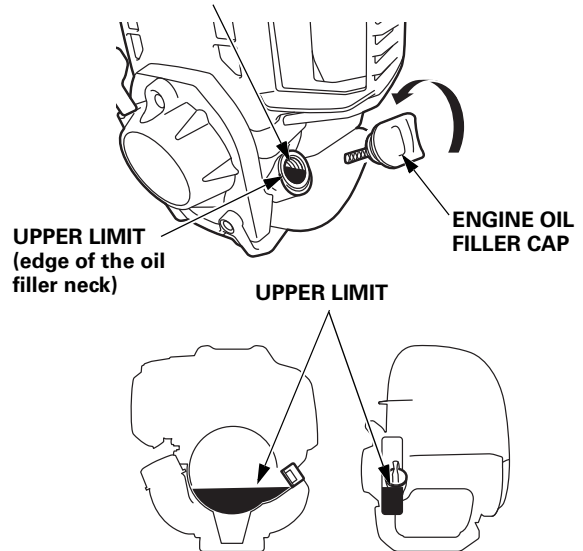
## CHECK THE ENGINE OIL

### NOTE:

- Running the engine with low oil level will cause serious engine damage.
  - Using nondetergent oil or 2-stroke engine oil could shorten the engine's service life.
1. Place the brushcutter on a level surface and remove the oil filler cap.
  2. Check the oil level: it should reach the edge of the oil filler neck, and check the engine oil for contamination and deterioration.
  3. If the oil level is low, fill with the recommended oil (see page 31) to the upper limit (edge of the oil filler neck). If the oil is contaminated or deteriorated, replace it (see page 31).
  4. Install the oil filler cap.

Every 10 hours, check the engine oil level and replenish oil up to the top of the oil filler neck if the engine is operated for more than 10 hours continuously.

### OIL FILLER NECK



Wash your hands with soap and water after handling used oil.

## CHECK THE FUEL LEVEL

Use unleaded petrol E10, with a Research Octane Number of 91 or higher (a Pump Octane Number of 86 or higher).

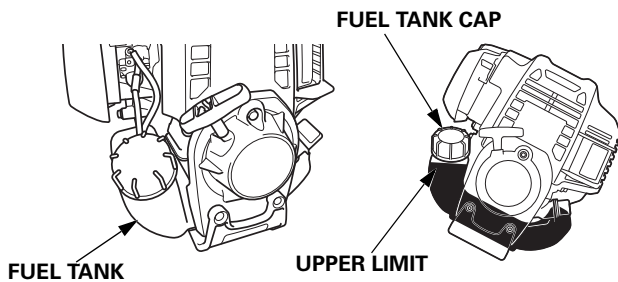
Fuel specification(s) necessary to maintain the performance of the emissions control system: E10 fuel referenced in EU regulation.

Never use petrol that is stale, contaminated, or mixed with oil. Avoid getting dirt or water in the fuel tank.

### ▲WARNING

- **Petrol is extremely flammable and is explosive under certain conditions.**
- **Refuel in a well-ventilated area with the engine stopped. Do not smoke or allow flames or sparks in the area where the engine is refueled or where petrol is stored.**
- **Do not overfill the fuel tank (there should be no fuel in the filler neck).**  
**After refueling, make sure the tank cap is closed properly and securely.**
- **Be careful not to spill fuel when refueling. Spilled fuel or fuel vapour may ignite. If any fuel is spilled, make sure the area is dry before starting the engine.**
- **Avoid repeated or prolonged contact with skin or breathing of vapour.**
- **KEEP OUT OF REACH OF CHILDREN.**

1. Check the fuel level visually from the outside of the fuel tank while keeping the fuel filler neck upright.



2. If the fuel level is low, refuel the fuel tank until the level as specified. Remove the fuel tank cap gradually to release pressurized air in the fuel tank. Fuel in the fuel tank may spout out, if the fuel tank cap is removed quickly. When refueling, place the engine on a level surface. Use a funnel and hose to refuel. Wipe any dirt on the fuel tank cap to avoid getting dirt in the fuel tank.

Fuel tank capacity: 630 cm<sup>3</sup> (0.63 L, 0.55 Imp qt)

3. After refueling, tighten the fuel tank cap securely.

### NOTE:

Petrol spoils very quickly depending on factors such as light exposure, temperature and time.

In worst cases, petrol can be contaminated within 30 days.

Using contaminated petrol can seriously damage the engine (carburetor clogged, valve stuck).

Such damage due to spoiled fuel is not covered by the warranty. To avoid this please strictly follow these recommendations:

- Only use specified petrol.
- Use fresh and clean petrol.
- To slow deterioration, keep petrol in a certified fuel container.
- If long storage (more than 30 days) is foreseen, drain the fuel tank and carburetor (see page 33).

Petrol substitutes are not recommended; they may be harmful to fuel system components.

## Petrol containing alcohol

If you decide to use a petrol containing alcohol (gasohol), be sure its octane rating is at least as high as that recommended by Honda. There are two types of "gasohol": one containing ethanol, and the other containing methanol. Do not use petrol containing more than 10% ethanol (E10).

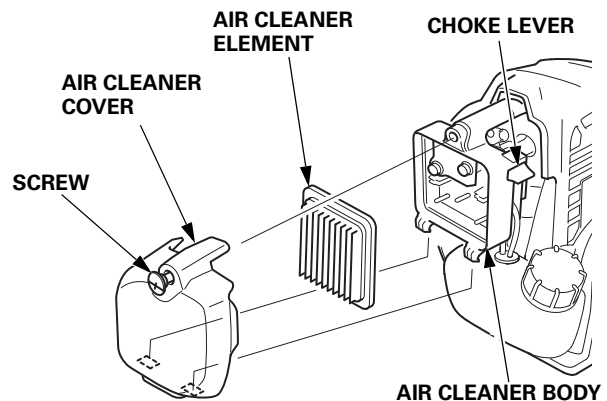
Do not use petrol containing methanol (methyl or wood alcohol) that does not also contain cosolvents and corrosion inhibitors for methanol.

### NOTE:

- Fuel system damage or engine performance problems resulting from the use of petrol that contains more alcohol than recommended is not covered under the warranty.
- Before buying petrol from an unfamiliar station, first determine if the petrol contains alcohol. If it does, find out the type and percentage of alcohol used. If you notice any undesirable operating symptoms while using a particular petrol, switch to a petrol that you know contains less than the recommended amount of alcohol.

## CHECK THE AIR CLEANER

1. Move the choke lever to the CLOSED (upwards) position.
2. Loosen the screw and remove the air cleaner cover from the air cleaner body.
3. Check the air cleaner element for dirt or obstruction. Clean the air cleaner element, if it is dirty (see page 31). Replace the air cleaner element if it is excessively dirty.
4. Reinstall the air cleaner element.
5. Reinstall the air cleaner cover and tighten the screw securely.



### NOTE:

Never run the engine without the air cleaner; rapid engine wear will result.

## CHECK THE THROTTLE CONTROL TRIGGER OPERATION

Check that the throttle control trigger operates smoothly and always springs back to the idle position.

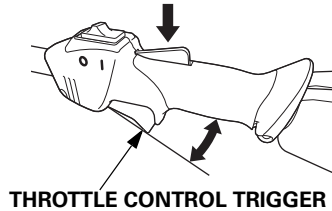
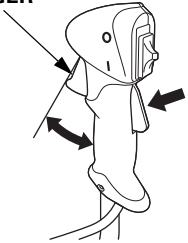
If it does not operate smoothly, check and adjust the throttle cable free play. Consult your servicing dealer for the service.

If it does not spring back to the idle position, do not operate the brushcutter. Contact your servicing dealer.

UEET, XEET types

LEET type

THROTTLE CONTROL TRIGGER



## CHECK THE CUTTING ATTACHMENT GUARD / DETACHING AND ATTACHING THE LOWER PIECE OF THE CUTTING ATTACHMENT GUARD

### ▲ WARNING

- Never use the brushcutter without the cutting attachment guard. Stones or other foreign objects thrown outward by the rotating cutting attachment or contact with the rotating cutting attachment could cause personal injury or property damage.

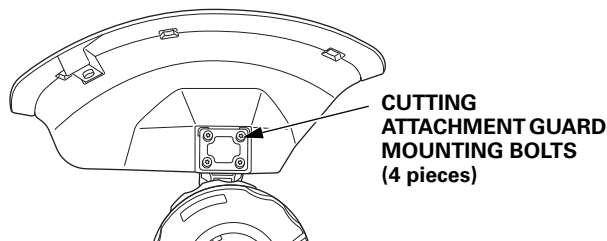
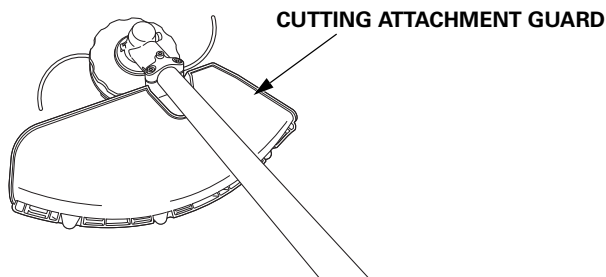
### CAUTION:

- Wear heavy gloves to protect your hands when servicing around the cutting attachment.
- To avoid personal injury, install the cutting means cover to the steel cutting means before servicing around the steel cutting means.

To install the cutting means cover, please refer to page 14.

### Check the cutting attachment guard

1. Stop the engine with the engine switch in the OFF position.
2. Inspect the cutting attachment guard to be sure that they are correctly installed and are not damaged. If the cutting attachment guard is damaged, replace it before using the brushcutter.
3. Check the cutting attachment guard mounting bolts for looseness. Tighten the bolts securely, if necessary.
4. Keep the cutting attachment guard position and direction the same as below.



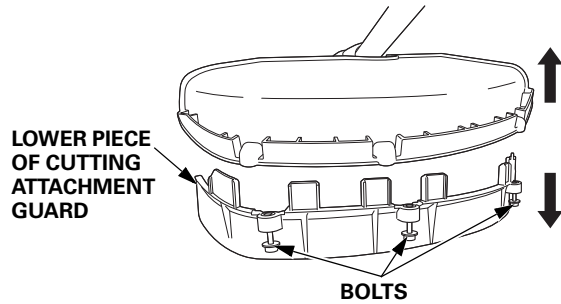
## Detaching and attaching the lower piece of the cutting attachment guard

When operating the brushcutter with the steel cutting means (3-teeth or 4-teeth), detach the lower piece of the cutting attachment guard.

For flexible cutting means usage, attach the lower piece of the cutting attachment guard.

Detaching (For steel cutting means (3-teeth or 4-teeth) operation):

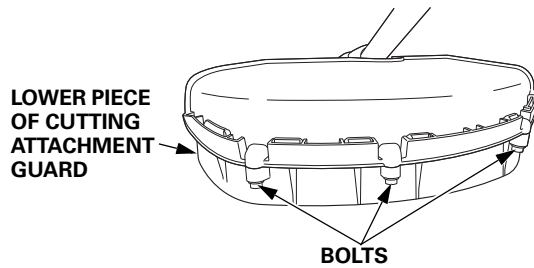
Remove three bolts, then detach the lower piece of the cutting attachment guard.



Attaching (For flexible cutting means operation):

Fit the two pieces of the cutting attachment guard and clamp them.

Install three bolts and tighten them securely.



## CHECK THE TRANSMISSION HEAD

### ⚠ WARNING

- To avoid severe personal injury, make sure that the engine switch is in the OFF position to prevent accidental starting.
- For safety, check the transmission head for wear and damage before starting the engine.

### CAUTION:

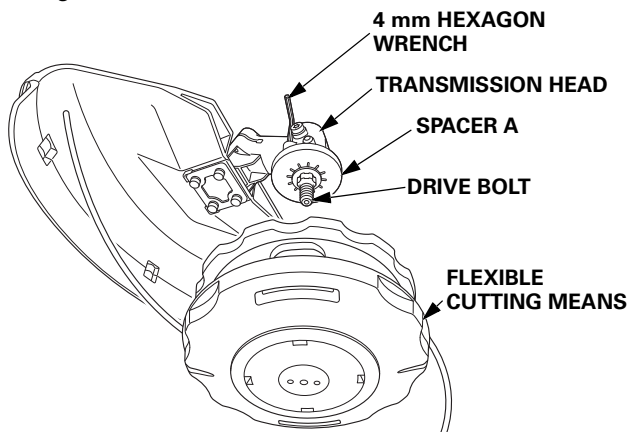
- Wear heavy gloves to protect your hands when servicing around the cutting attachment.
- To avoid personal injury, install the cutting means cover to the steel cutting means before servicing around the steel cutting means.

To install the cutting means cover, please refer to page 14.

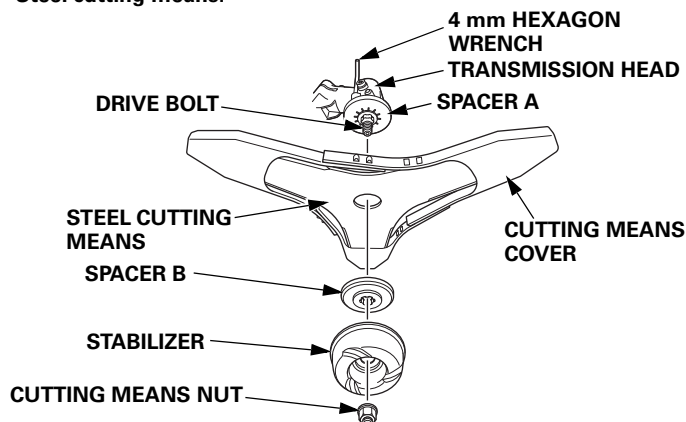
### Inspect the transmission head

1. Stop the engine with the engine switch in the OFF position.
2. Check if there is grass or thread tangled between the spacer A and cutting attachment. If there is, remove it.
3. After removing grass or thread, check if there is contaminated material such as mud or dirt in between the transmission head and spacer A. If there is, remove the cutting attachment (see page 28) and clean the transmission head. When cleaning, perform "Inspect the drive bolt" at the same time.

#### Flexible cutting means:



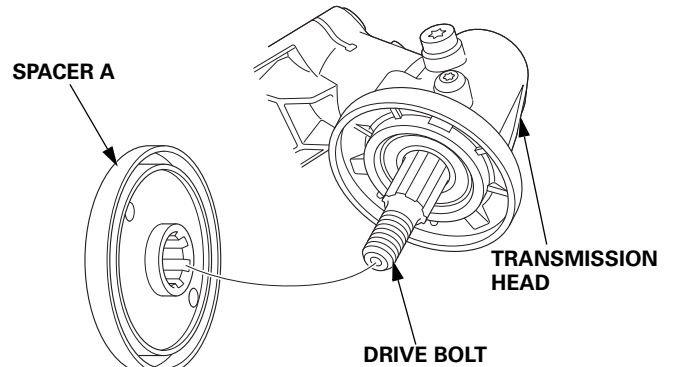
#### Steel cutting means:



## Cleaning the transmission head

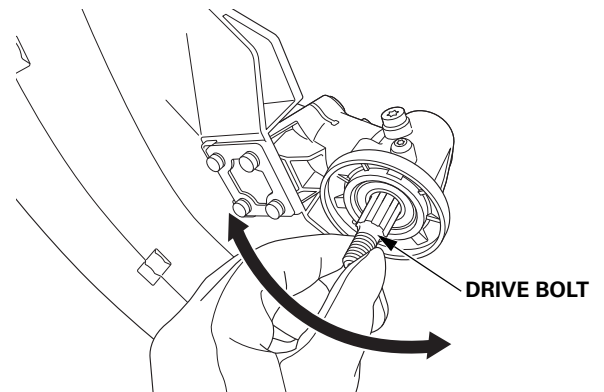
If there is contaminated material such as grass, thread, mud, or dirt in between the transmission head and spacer A, clean them using the following procedure.

1. Stop the engine with the engine switch in the OFF position.
2. Remove the cutting attachment. (see page 28)
3. Remove the spacer A.
4. Remove grass, thread, mud, or dirt around spacer A and the drive bolt.



### Inspect the drive bolt

Hold the drive bolt, move it left and right, and check if it is loose. If it is loose, the transmission head must be replaced. Contact your servicing dealer for replacement.



After "Cleaning the transmission head", and "Inspect the drive bolt", make sure to assemble spacer A to the transmission head before attaching the cutting attachment. To attach the cutting attachment, refer to page 28.



## CHECK THE CUTTING ATTACHMENT

### ⚠ WARNING

- To avoid severe personal injury, make sure that the engine switch is in the OFF position to prevent accidental starting.
- For safety, inspect the cutting attachment for wear and damage and check the tightness of the cutting attachment before starting the engine. Operating the brushcutter with a worn, cracked, or damaged cutting attachment can cause personal injury or brushcutter damage. A worn, cracked or damaged attachment can break and pieces of the damaged attachment can hit the operator or bystanders causing death or serious injury.

### CAUTION:

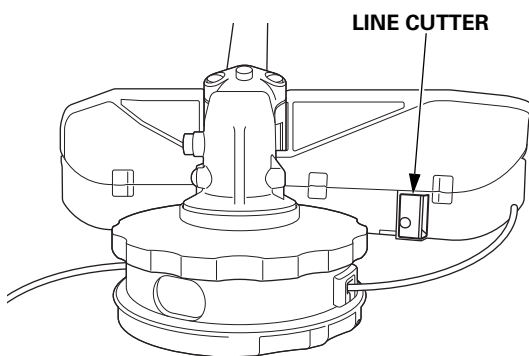
- Wear heavy gloves to protect your hands when servicing around the cutting attachment.
- To avoid personal injury, install the cutting means cover to the steel cutting means before servicing around the steel cutting means.

To install the cutting means cover, please refer to page 14.

To select the cutting attachment, refer to "Cutting attachment applications" on page 24.

### Flexible cutting means

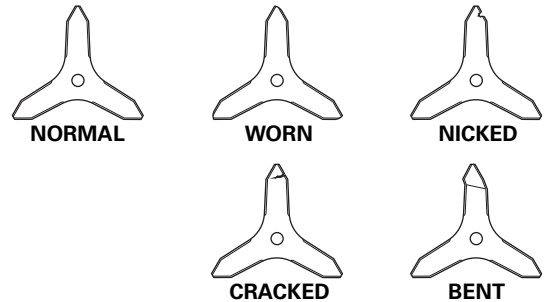
1. Stop the engine with the engine switch in the OFF position.
2. Check the flexible cutting means for looseness. Tighten the flexible cutting means securely if it is loose (see page 28).
3. Check the nylon line for fluffing. If the nylon line is damaged, have the nylon line advance according to the following procedures. To advance the nylon line, see page 25. Before feeding the nylon line, check that the line cutter is free from dust, dirt or other foreign material. Clean the line cutter if necessary.



### Steel cutting means

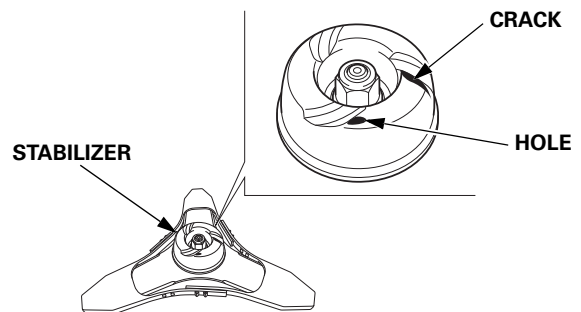
1. Stop the engine with the engine switch in the OFF position.
2. Check the tightness of the cutting means nut. Tighten the nut if it is loose (see page 10).
3. Check the steel cutting means for wear, bends, cracks and other damage. If the steel cutting means is worn out, cracked, chipped, or otherwise damaged, replace the damaged steel cutting means with a new genuine Honda replacement steel cutting means or its equivalent.

A dull steel cutting means can be sharpened. If it is hard to do it yourself, consult your servicing dealer.



### STABILIZER INSPECTION (FOR STEEL CUTTING MEANS)

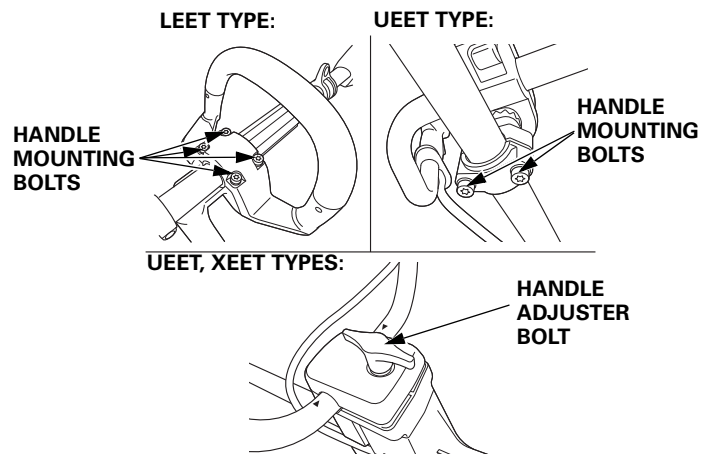
Check the wear of the stabilizer. If there are cracks or holes in the stabilizer, replace it. Contact your servicing dealer for replacement.



### CHECK ALL BOLTS AND NUTS

Check the bolt and nut whether it is loose before every work. If the bolts or nuts come loose, tighten them.

1. Check each bolt and nut on the engine and frame for looseness. Tighten them securely if necessary.
2. Check the handle for loose mounting bolts or screws, and tighten them securely if necessary.



## BALANCING THE BRUSHCUTTER

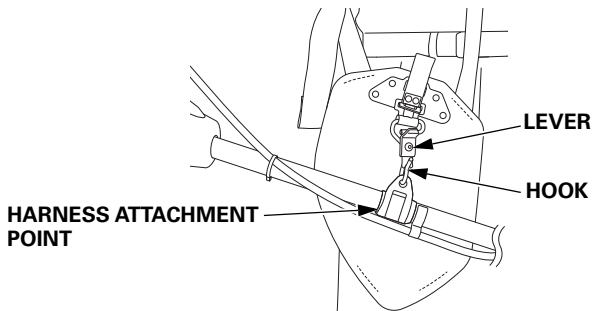
### ⚠ WARNING

- Be sure to wear the double harness before using the brushcutter. Otherwise, injuries might occur due to its instability.
- For operator safety and comfort, it is important to adjust the harness straps so they can be worn comfortably and so that the machine is properly balanced in the working position.

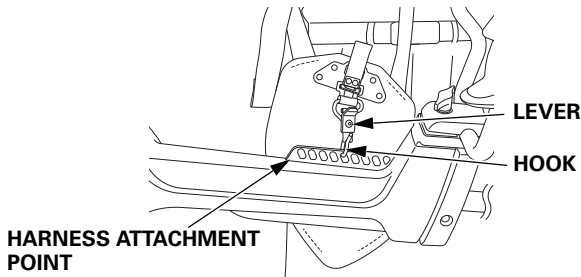
### Check the double harness

1. Wear the double harness. (see page 20)
2. Set the hook to the harness attachment point. (see page 12)
3. Check that the hook is fastened to the harness attachment point securely.
4. Check that the balance and position of the brushcutter are as follows.

### UEET, LEET types

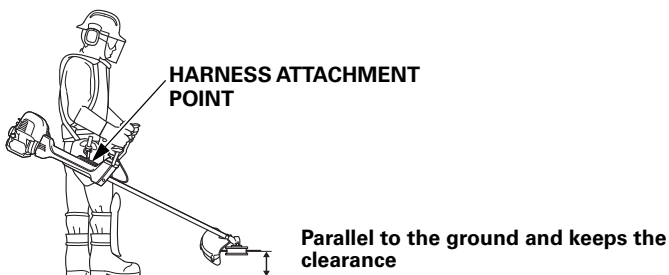


### XEET type



### Appropriate balance

1. Adjust the double harness so that the harness attachment point is positioned at your right hip (see page 20).
2. Keep the brushcutter so that the cutting attachment is parallel to the ground by holding the handle with both of your hands.
3. Adjust the double harness length (page 20), handle position or handle bar angle (page 19) so that the cutting attachment is parallel to the ground and stays above the ground keeping the clearance.



### ⚠ WARNING

Do not operate the brushcutter if the turning cutting attachment could reach your feet. Your feet can get injured if the turning cutting attachment touches your feet.

## ADJUSTING THE HANDLE

### Adjusting the handle holder position (UEET, LEET types only)

#### UEET type

You can move the handle holder forward or backward. To adjust the handle holder position, see page 8.

For safety, the handle bar and handle holder must not be installed beyond the safety collar.

#### LEET type

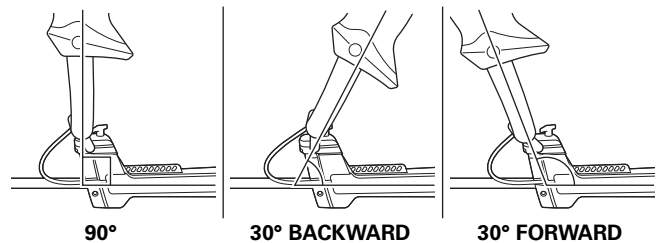
The position of the loop handle can be moved forward or backward. Refer to page 8.

For safety, the loop handle must not be installed beyond the safety collar.

### Adjusting the handle bar angle (UEET, XEET types only)

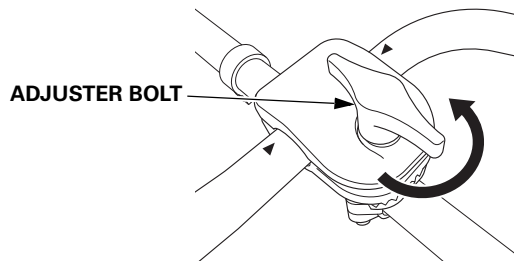
The standard angle is 90 degrees.

You can tilt the handle bar forward or backward within 30 degrees from its standard angle.



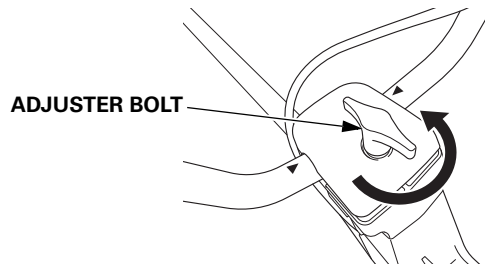
#### UEET type

To adjust the handle bar angle, loosen the adjuster bolt slightly and tilt the handle bar. Tighten the adjuster bolt securely.



#### XEET type

To adjust the handle bar angle, loosen the adjuster bolt slightly and tilt the handle bar. Lightly press the handle holder A and tighten the adjuster bolt securely.



After adjusting the handle position or handle bar angle, make sure the throttle cable is not pulled tightly.

Also check that the throttle control trigger operates smoothly.

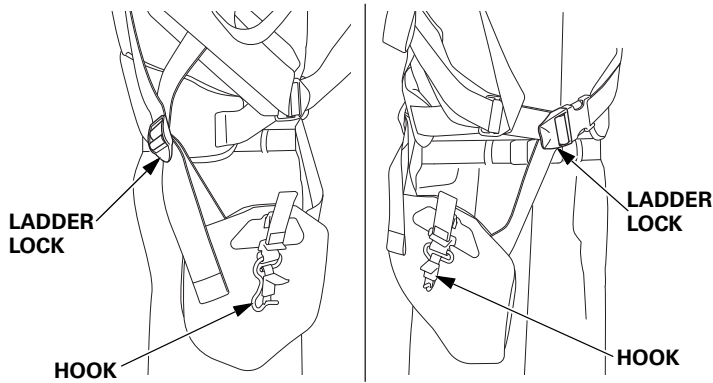
## ADJUSTING THE DOUBLE HARNESS

All of the adjustments can be done by lengthening or shortening the adjustment strap with the ladder lock.

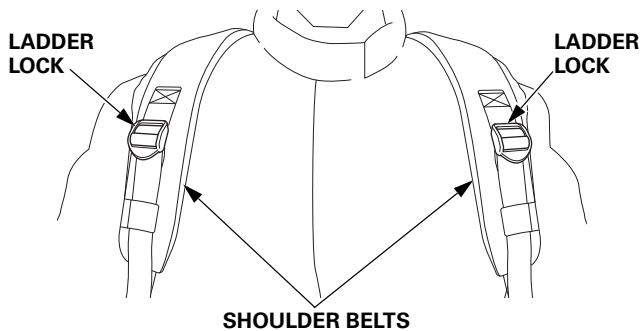
### Adjusting points

- The position of the hook can be adjusted with the ladder locks on the straps suspend the waist pad.
- The length of the shoulder belt and the waist pad position can be adjusted with the ladder locks on the shoulder belts.
- The fitting of the waist pad can be adjusted with the ladder lock on the right side.

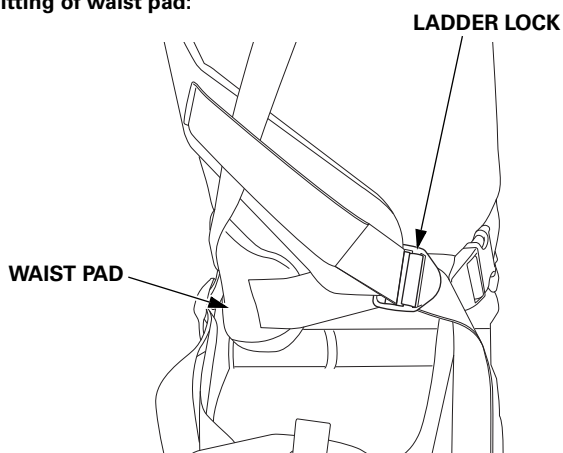
#### Hook position:



#### Length of shoulder belts:

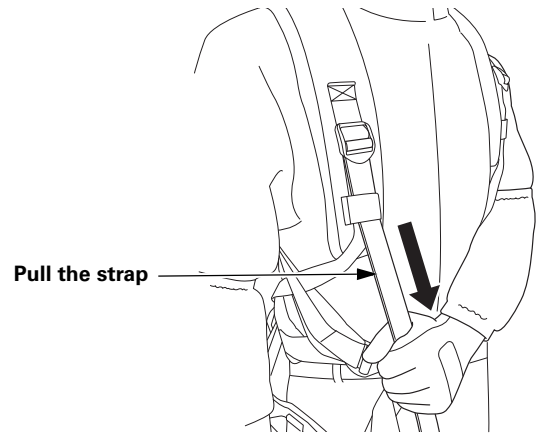


#### Fitting of waist pad:

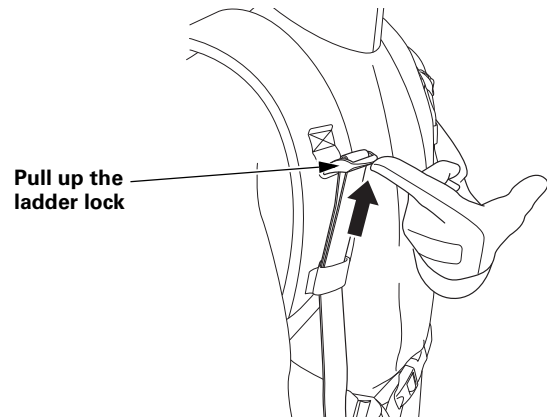


## Ladder lock

### To make the adjustment strap shorter



### To make the adjustment strap longer



All the ladder locks can be operated in the same way.

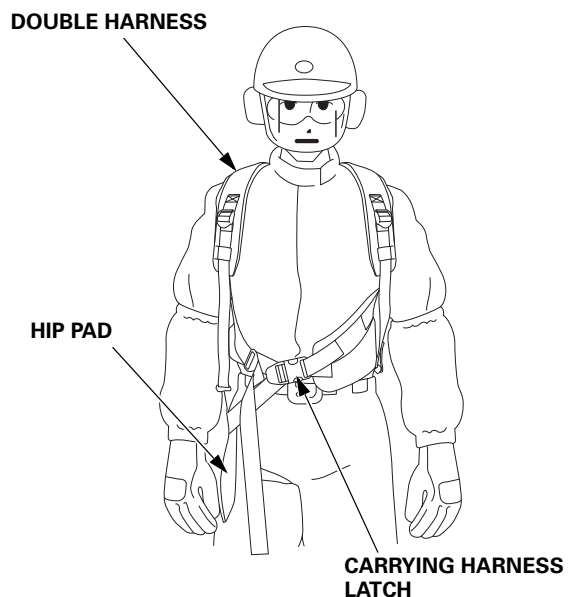
## Wearing the double harness

Wear the double harness so that the hip pad is on the right side of your body.

Make sure the harness does not twist.

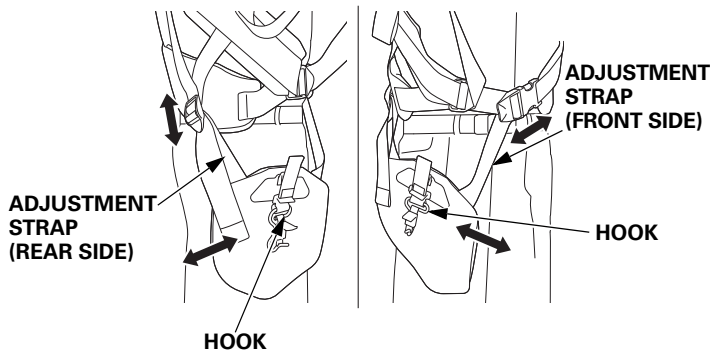
Firmly secure the double harness latch on the front of your body until it clicks.

To unlock the double harness latch, pull the harness to the right and to the left while pressing the latch.



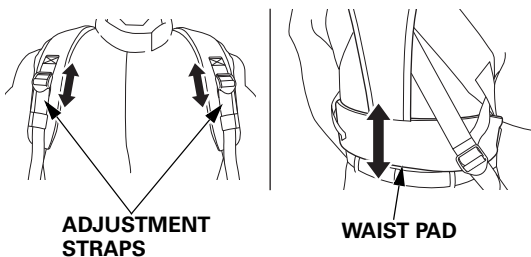
### Adjusting the hook position

- Shortening both the front and rear adjustment straps raises the hook position.
- Lengthening both the front and rear adjustment straps lower the hook position.
- Adjusting either side of the adjustment strap or both sides in opposite ways move the hook position to the direction that you pulled. (e.g. If the adjustment strap on the front side is shortened and rear side lengthened, the hook will move forward)



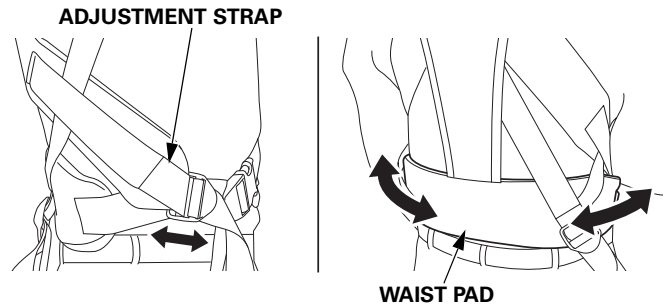
### Adjusting the shoulder belt and waist pad positions

- Shorten or lengthen the adjustment straps so that the waist pad fits around the waist.
- Shortening the adjustment straps raises the waist pad.
- Lengthening the adjustment straps lower the waist pad.
- To adjust the weight proportion receive on the shoulder and back, adjust the adjustment straps left or right.
- Shortening both adjustment straps puts more weight on the shoulder and back.
- Lengthening them puts more weight on the waist.



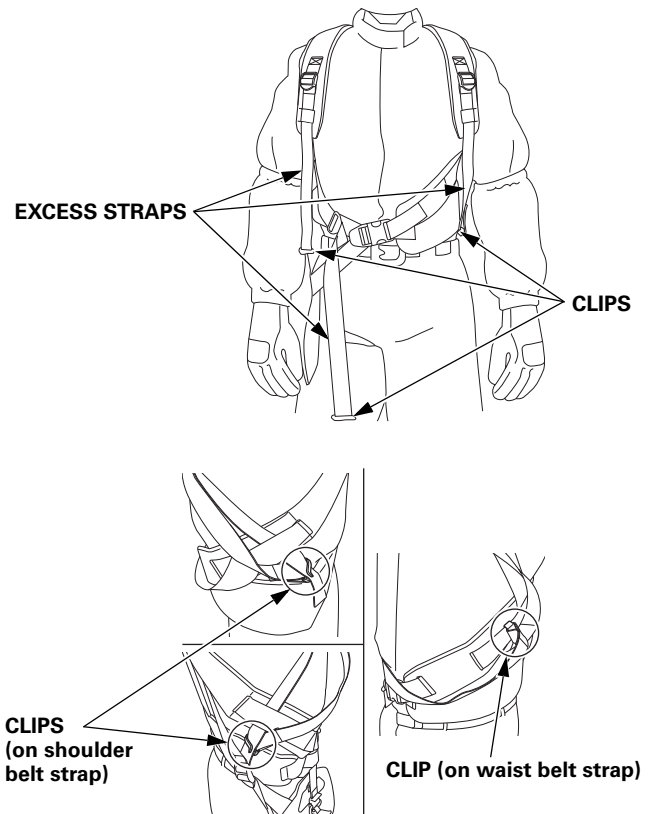
### Adjusting the fitting of waist pad

- Shortening the adjustment strap makes the waist pad fits more tightly. This adjustment is suitable for heavy load working as the suspending weight of the brushcutter and reactive force will be dispersed.
- Lengthening the adjustment strap increases the swinging motion range of the brushcutter. This adjustment is suitable for light reactive force working and light load working. such as on a flat terrain, for work requiring more flexible movement.



### Fixing the excess straps

After adjusting the harness, fix the excess straps on the belt using the fixing clips.



Do not fix the clips in the following way.

- Fixing the left side clip to the right side belt and vice-versa.
- Fixing on a place not on the double harness.

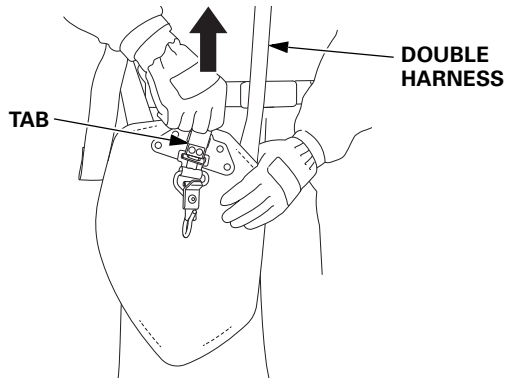
Fixing the clips in the above way might prevent you from taking off the double harness even if the double harness latch is released.

## CHECK THE QUICK-RELEASE MECHANISM

### NOTE:

- When the quick-release mechanism is used to detach the brushcutter, the brushcutter may fall down. When you check function of the quick-release mechanism, do not attach the brushcutter to the hook on the waist pad to prevent the brushcutter from falling down and being damaged.

1. Wear the double harness.
2. Check that the latch is released as soon as the tab of the quick-release mechanism is pulled upwards while holding the hip pad with your left hand.
3. Insert the latch tongue in the slot of the quick-release mechanism.



If the latch is not released, have your device inspected and repaired by your servicing dealer.

## CHECK THE ENGINE IDLING AND CLUTCH OPERATION

This inspection is needed to start the engine. To start the engine, please refer to page 23.

### ▲WARNING

- Exhaust gas contains poisonous carbon monoxide. Never run the engine in an enclosed area. Be sure to provide adequate ventilation.
- Start the engine in a place at least 15 m (49 ft) away from people, pets, and surrounding buildings. Be sure there are no obstacles in the working area.

### CAUTION:

Do not start the engine with the cutting attachment touching the ground or any obstruction. The brushcutter can make unexpected movement causing injury to your legs, etc.

### Check the engine idling

Start the engine (see page 23), and check that the idling speed is normal.

If the idling speed is abnormally high or low, do not operate the brushcutter and have your brushcutter inspected by your servicing dealer.

### Check the clutch operation

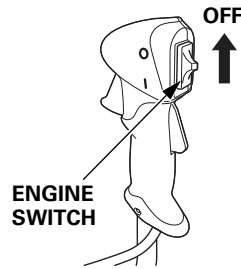
Check that the cutting attachment stops turning with the throttle control trigger released.

The cutting attachment should not rotate with the engine idling. If there is rotation at idle, adjust the idle speed correctly before using the brushcutter. Have your brushcutter inspected by your servicing dealer.

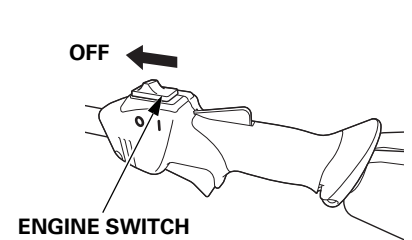
## CHECK THE ENGINE SWITCH OPERATION

Check that the engine is stopped by moving the engine switch to the OFF position.

### UEET, XEET types



### LEET type



### CAUTION:

- Note that the cutting attachment keeps turning for a while by inertia after the engine is stopped.
- Be sure that the engine is stopped and the cutting attachment stops turning before placing the brushcutter on the ground.



# STARTING THE ENGINE

## ▲WARNING

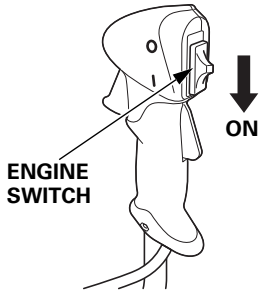
- Exhaust gas contains poisonous carbon monoxide. Never run the engine in an enclosed area. Be sure to provide adequate ventilation.
- Start the engine in a place at least 15 m (49 ft ) away from people, pets, and surrounding buildings. Be sure there are no obstacles in the working area.

## CAUTION:

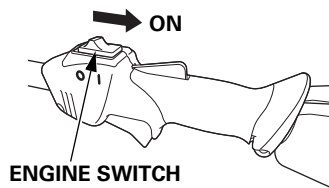
- Do not start the engine with the cutting attachment touching the ground or any obstruction. The brushcutter can make unexpected movement causing injury to your legs, etc.
- Wear protective clothing and protective devices (see page 2).

1. Turn the engine switch to the ON position.

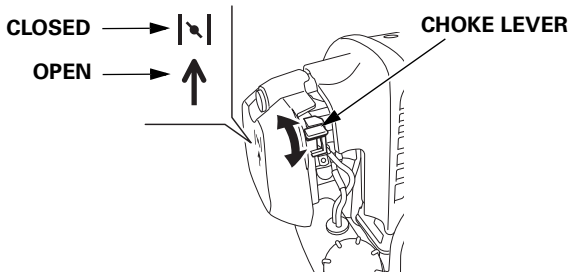
UEET, XEET types



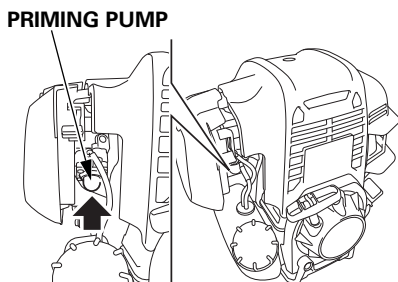
LEET type



2. To start a cold engine, move the choke lever to the CLOSED position.  
To restart a warm engine, leave the choke lever in the OPEN position.



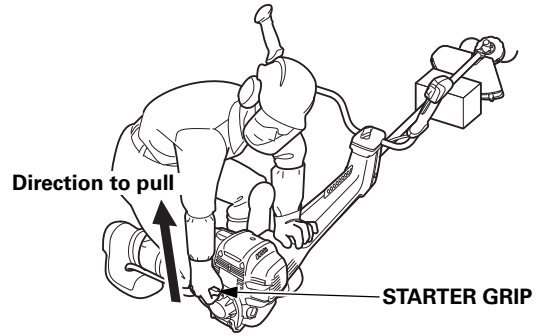
3. Press the priming pump several times until the priming pump is filled with fuel.  
Even if the priming pump is pressed too many times, the extra fuel will return to the fuel tank.  
If the priming pump is not pressed enough, the engine may not start.



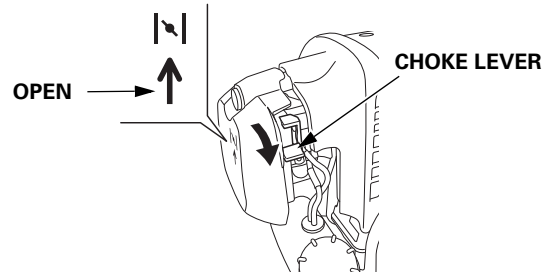
4. Pull the starter grip lightly until you feel resistance while supporting the transmission shaft with your foot and holding the transmission shaft with your hand, then pull briskly in the direction of the arrow as shown below. Return the starter grip gently.

## NOTE:

- Do not allow the starter grip to snap back against the engine. Return it gently to prevent damage to the starter.
- Damage may result if the starter grip is pulled while the engine is running.



5. If the choke lever has been moved to the CLOSED position to start the engine, gradually move it to the OPEN position as the engine warms up.



## TRIMMING OPERATION

Read and understand the safety instructions on pages 2 to 4 before operating the brushcutter.

If you notice any abnormal sound, smell, vibration, or other unusual signs, stop the engine immediately and consult your servicing dealer.

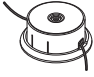


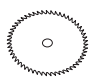
Stop the engine when adjusting the length of the double harness.

### ▲WARNING

- Do not operate the brushcutter if the turning cutting attachment can reach your feet. Your feet can get injured if the turning cutting attachment touches your feet.
- Be sure to wear the double harness before using the brushcutter. Otherwise, injuries might occur due to its instability.
- For safety, inspect the cutting attachment for wear and damage and check the tightness of the cutting attachment before starting the engine. Operating the brushcutter with a worn, cracked, or damaged cutting attachment can cause a personal injury or equipment damage. A worn, cracked or damaged attachment can break and pieces of the damaged attachment can hit the operator or bystanders, causing death or serious injury.
- Be sure to wear the double harness before using the brushcutter. Otherwise, injuries might occur due to its instability.
- For operator safety and comfort, it is important to adjust the harness straps so they can be worn comfortably and so that the machine is properly balanced in the working position.

## CUTTING ATTACHMENT APPLICATIONS

For more efficient use, select an appropriate cutting attachment in accordance with the length of grass and other ground conditions.

Cutting attachment type		Suitable conditions
	Flexible cutting means	Mowing low grass and cleaning
	Steel cutting means (3-teeth)	Cleaning dense and tangled weeds, bushes such as brambles or wild shrubs whose stem is less than 20 mm (0.79 in) in diameter
	Steel cutting means (4-teeth) (Optional part)	
	Steel cutting means (circular saw) (Optional part)	Cutting shrubs, bushes and small trees whose trunk is less than 60 mm (2.36 in) in diameter

## WEARING THE DOUBLE HARNESS AND SETTING THE BRUSHCUTTER ON THE HOOK

### NOTE:

When using the brushcutter, always return to the idling between operations. If the engine runs at maximum speed with no load (no resistance on the cutting attachment) for a long time, the engine may be seriously damaged.

1. Wear the double harness and adjust its fitting (see page 20).
2. Start the engine (see page 23) and hang the brushcutter on the double harness hook (see page 12).
3. Make sure the brushcutter stays at the appropriate balance (see page 19).

## BASIC OPERATION

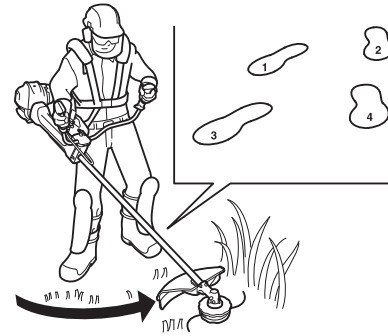
### Correct attitude for trimming operation

- Hold the brushcutter at the correct position (see page 19).
- Slacken your grip on the handle gradually. Do not release but put both of your hands lightly on the handle, and be sure that the height of the cutting attachment from the ground does not change significantly.
- Hold the brushcutter firmly with both of your hands, with your fingers and thumbs encircling the handles. This will help you to keep the brushcutter under control at all times.
- Keep firm footing and balance.
- Do not overreach.
- Keep the cutting attachment below your knee height.
- Keep all parts of your body away from the rotating cutting attachment and hot surface.

Adjustment is necessary if the cutting attachment rises high above your knees. Do not operate the brushcutter before adjustment. If you cannot balance the brushcutter with the correct adjustment, consult your servicing dealer.

### Basic action of trimming operation

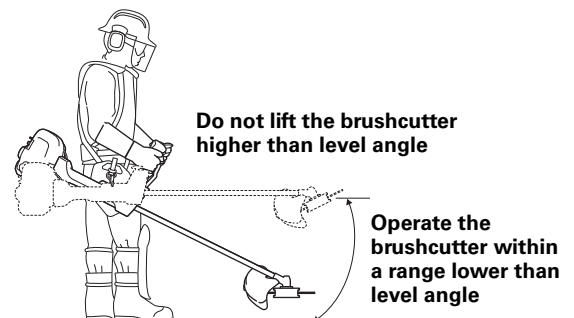
- Operate the brushcutter not by using your arm force but by using your waist so that the cutting attachment swings in a level arc from right to left. Hold the brushcutter so that you can shift your weight to the right leg then to the left leg safely and easily, and walk slowly with narrow strides.
- When operating the brushcutter on a moderate slope, stand at the down side of the slope. Steep slopes are slippery and you can lose your balance. Do not operate the brushcutter on a steep slope.



### CAUTION:

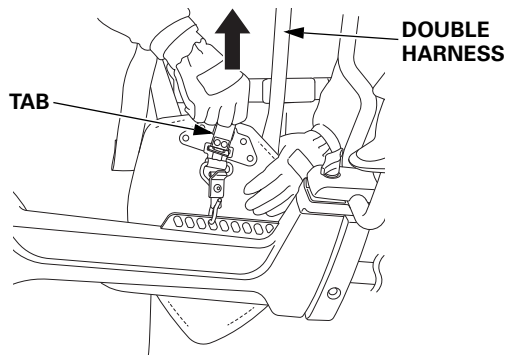
Take good care of your step. Do not operate the brushcutter in a place that is slippery, or you can lose your balance.

- When operating the brushcutter, do not lift it higher than level angle. Always keep the brushcutter within a range lower than level angle.



## In an emergency

In an emergency, pull up the tab of quick-release mechanism and push the brushcutter away to detach the brushcutter from the double harness.

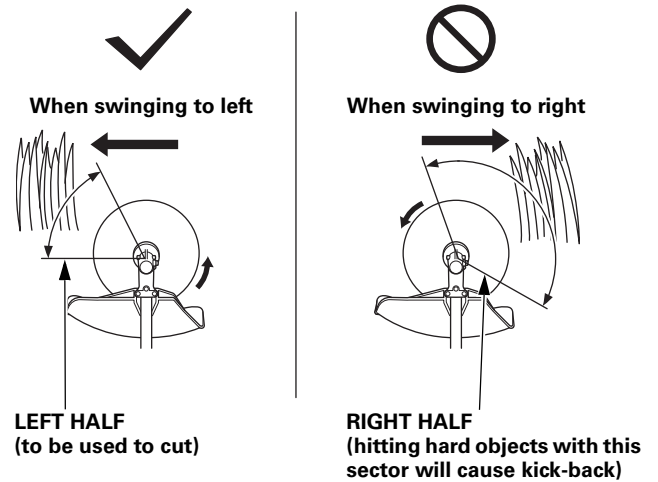
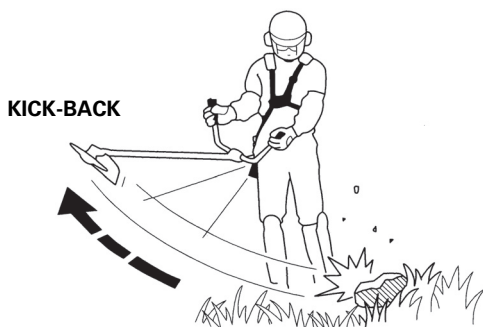


## To avoid a kick-back

Steel cutting means sectors of the "right half" must not be used to cut. Contact between the steel cutting means and hard objects while the steel cutting means is rotating will cause the tool to rebound owing to the direction of rotation (this phenomenon is called "kick-back").

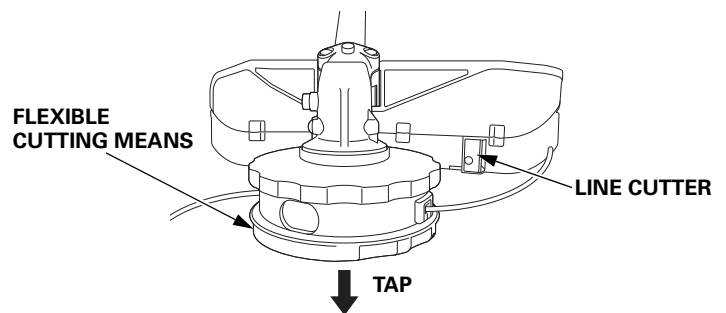
### ▲ WARNING

- Never contact hard objects such as stones, trees, stakes, or concrete with the rotating steel cutting means. If the steel cutting means hits to such objects, it will cause a kick-back. Never cut very hard wood and/or plants with a large stem diameter with the steel cutting means, it will cause a kick-back. A kick-back causes loss of control of the brushcutter and contact of the steel cutting means with the operator or bystanders, causing death or serious injury. It also causes a worn, cracked or damaged steel cutting means that can break, and thrown pieces of the steel cutting means can hit the operator or bystanders, causing death or serious injury.
- Cutting action must be done only when you swing the trimmer to left. Steel cutting means sectors of the "right half" must not be used to cut. When swinging it to right, do not cut grass. Hitting a hard object in this direction will cause a kickback, causing death or serious injury.
- If the steel cutting means contacts an obstacle, stop the engine immediately. Check the steel cutting means after stopping the steel cutting means rotation. Never restart operation with a broken or damaged steel cutting means.



## Line feeding of the flexible cutting means

For this type of cutting attachment, the nylon line advances when the flexible cutting means is tapped against the ground while the engine is running. A cutting attachment guard with line cutter must be used with it.



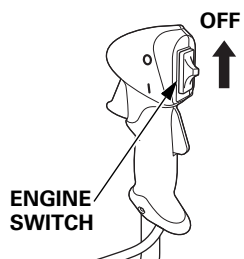
## STOPPING THE ENGINE

1. Release the throttle control trigger.
2. Turn the engine switch to the OFF position.

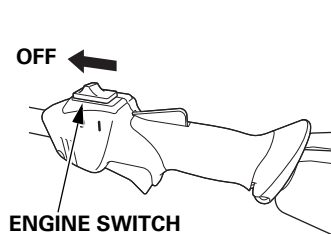
### CAUTION:

- Note that the cutting attachment keeps turning for a while by inertia after the engine is stopped.
- Be sure that the engine is stopped and the cutting attachment stops turning before placing the brushcutter on the ground.

UEET, XEET types



LEET type



## MAINTENANCE

Periodic checks and adjustment of the brushcutter is essential if high level performance is to be maintained. Regular maintenance will also help to extend service life. The required service intervals and the kind of maintenance to be performed are described in the maintenance schedule.

For longer service and efficiency, keep the underside of the cutting attachment guard clean and free of accumulated grass clippings by washing it down with a hose after each use and/or cleaning it with a wire brush and scraper.

### ▲ WARNING

- Before performing any maintenance, place the brushcutter on a level surface, make sure the cutting attachment is stopped, and turn the engine switch to the OFF position to be certain the engine will not start accidentally.
- The brushcutter should be serviced by your servicing dealer unless the owner has proper tools and service data and feels he/she is mechanically qualified.

### CAUTION:

- Use genuine Honda parts or their equivalent for maintenance or repair. Replacement parts which are not of equivalent quality may damage the brushcutter.
- To avoid personal injury, install the cutting means cover to the steel cutting means before servicing around the steel cutting means.

To install the cutting means cover, please refer to page 14.

## MAINTENANCE SCHEDULE

REGULAR SERVICE PERIOD (3)		Frequency						Page
		Each use	First month or 10 hrs.	Every 3 months or 25 hrs.	Every 6 months or 50 hrs.	Every year or 100 hrs.	Every 2 years or 300 hrs.	
Item	Perform at every indicated month or operating hour interval, whichever comes first.							
Engine oil	Check level	o					14	
	Change		o		o		31	
Air cleaner	Check	o					15	
	Clean			o (1)			31	
	Replace					o	31	
Spark plug	Check-adjust					o (2)	-	
	Replace						o (2)	
Throttle cable / throttle control trigger	Check	o					16	
Operation of engine switch	Check	o					22	
Double harness	Check	o					19	
Cutting attachment	Check (Replace if necessary)	o					18	
Cutting attachment guard	Check	o					16	
Idle / Clutch	Check	o					22	
Engine cooling fins	Check-clean				o (1)(2)		-	
Nuts, bolts, fasteners	Check (Retighten if necessary)	o					18	
Fuel tank	Clean					o	32	
Fuel filter	Check					o	32	
Clutch shoe and drum	Check				o (2)(4)		-	
Wear out of transmission head	Check				o (2)		-	
Transmission head	Check-clean	o					17	
	Grease			o			32	
Idle speed	Check-adjust					o (2)	-	
Valve Clearance	Check-adjust					o (2)	-	
Combustion chamber	Clean	Every 2 years or every 300 hours (2)						-
Fuel tubes	Check	Every year or every 100 hours (Replace if necessary) (2)						-
Oil tubes	Check	Every 2 years (Replace if necessary) (2)						-
Anti Vibration Rubber (5)	Check-adjust				o (2)		-	

- (1) Service more frequently when used in dusty areas.
- (2) These items should be serviced by your servicing dealer, unless you have the proper tools and are mechanically proficient. Refer to Honda shop manual for service procedures.
- (3) Log hours of operation to determine proper maintenance intervals.
- (4) These consumption parts should be replaced even a short period if it is necessary.
- (5) XEET type (applicable type)

## CUTTING ATTACHMENT REPLACEMENT

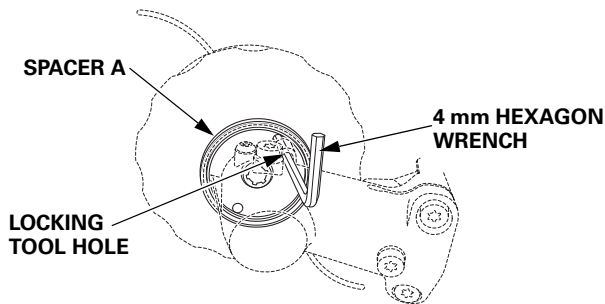
### ⚠ WARNING

- To avoid severe personal injury, make sure that the engine switch is in the OFF position to prevent accidental starting.
- For safety, inspect the cutting attachment for wear and damage and check the tightness of the cutting attachment before starting the engine. Operating the brushcutter with a worn, cracked, or damaged cutting attachment can cause a personal injury or equipment damage. A worn, cracked or damaged attachment can break and pieces of the damaged attachment can hit the operator or bystanders, causing death or serious injury.

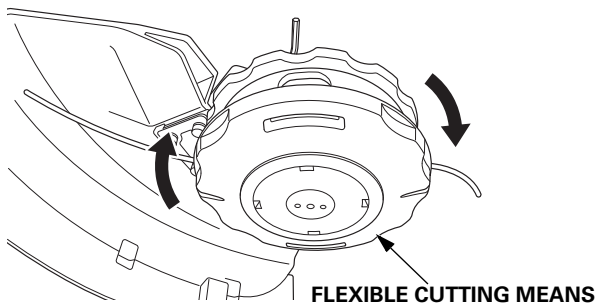
### Flexible cutting means replacement

Removal:

1. Stop the engine with the engine switch in the OFF position.
2. Insert the 4 mm hexagon wrench into the locking tool hole. Turn the flexible cutting means until you feel the hexagon wrench drop into the hole of the spacer A. Make sure the flexible cutting means does not turn.

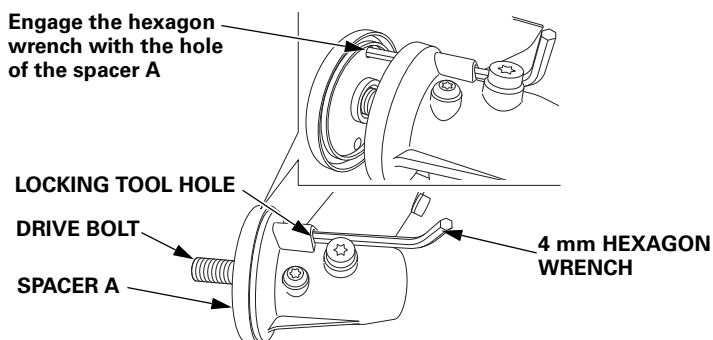


3. Turn the flexible cutting means clockwise to remove it from the transmission head.

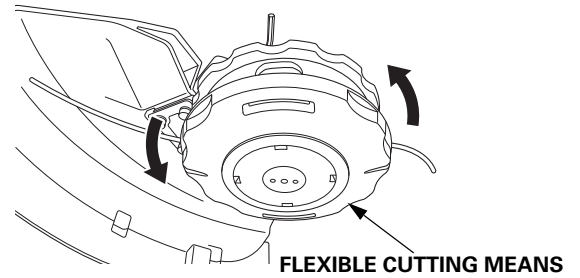


Installation:

1. Make sure the spacer A is installed in the transmission head.
2. Insert the 4 mm hexagon wrench into the locking tool hole to keep the drive bolt from turning.



3. Turn the flexible cutting means counterclockwise to install it to the transmission head.



### Nylon line replacement

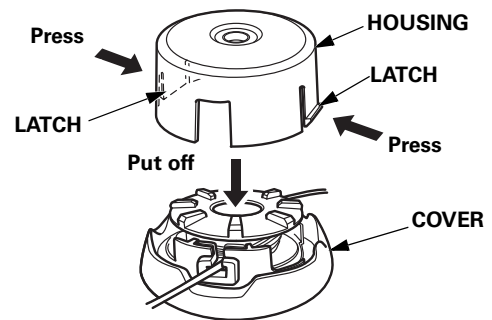
### ⚠ WARNING

- Never replace the nylon line with a line of a different material, such as steel wire.

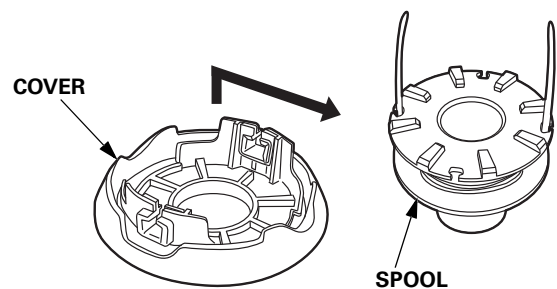
UEET, LEET types:

Recommended nylon line specifications:  
Standard nylon line diameter: 2.7 mm (0.11 in), Maximum length: 6.0 m (19.7 ft)

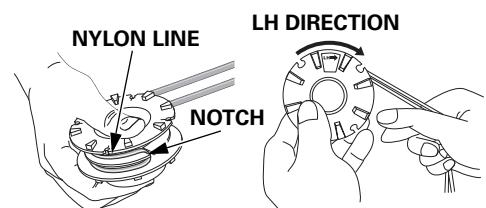
1. Pull off the cover from housing. Press two latches of the housing, and pull down the cover.



2. Pull off spool from the cover and remove the rest of the nylon line.

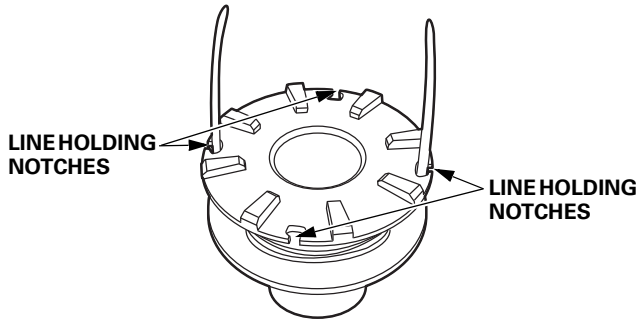


3. Prepare an appropriate length of nylon line and fold it in half, lengthwise.
4. Place the middle of the nylon line in the notch in the reel and coil the nylon line by turning in the specified direction.

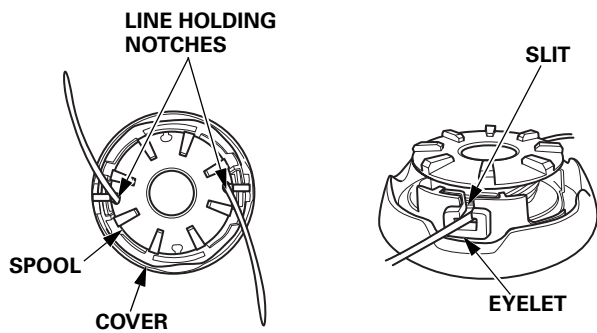




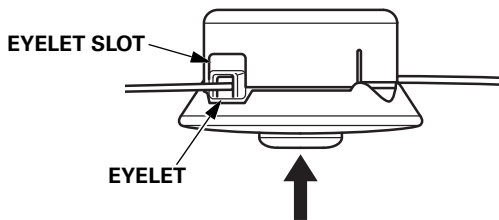
5. Hold the nylon lines to the line holding notches on one of the spool outer flanges. Leave 10 cm of the lines from the notches. Do not let the lines loosen.



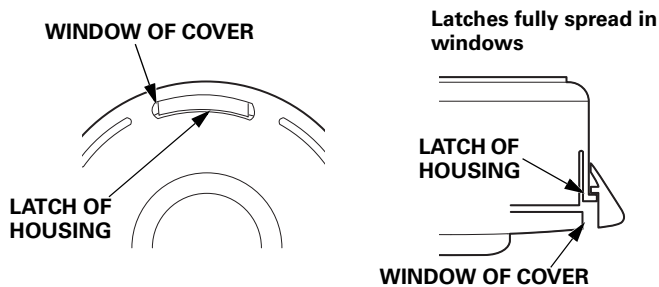
6. Put the spool onto the cover at the position that aligns the line holding notches with the eyelets on the cover. Set the nylon lines into the eyelets through the slits on upper side of the eyelets.



7. Align the eyelet with the eyelet slot of the housing, and install the cover into the housing.



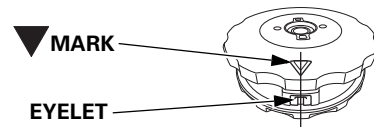
**NOTE:**  
Make sure that the latches of the housing fully spread in each window of the cover.



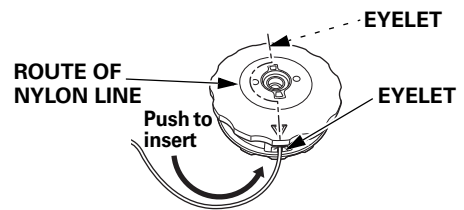
XEET type:

Recommended nylon line specifications:  
Standard nylon line diameter: 3.0 mm (0.12 in), Maximum length: 5.0 m (16.4 ft)

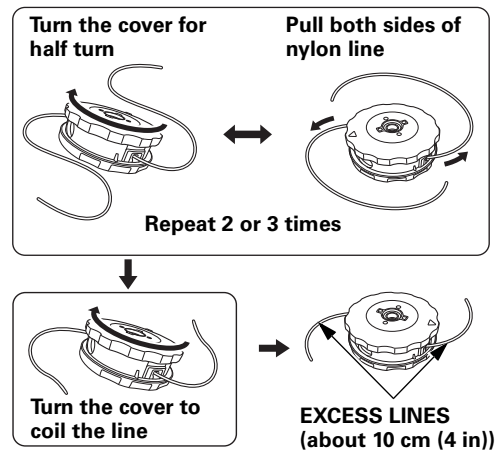
1. Align the ▼ mark with the eyelet.



2. Prepare an appropriate length of nylon line. Insert the nylon line to the eyelet from the left side as shown in the picture. Inserting from this direction makes pushing the line to the other side of the hole smooth.
3. Push the nylon line so that the tip of the line comes out the other side of the eyelet.



4. Pull the nylon line out and adjust the line length so that the length on both sides are the same.
5. While holding the spool, turn the cover in the specified direction for half turn to coil the nylon line. Pull both sides of nylon line to make the coiled line in the spool tight, then turn the cover for half turn and pull the nylon line again. Repeat this procedure 2 or 3 times. Then turn the cover until each excess line is about 10 cm (4 in).



## Steel cutting means replacement

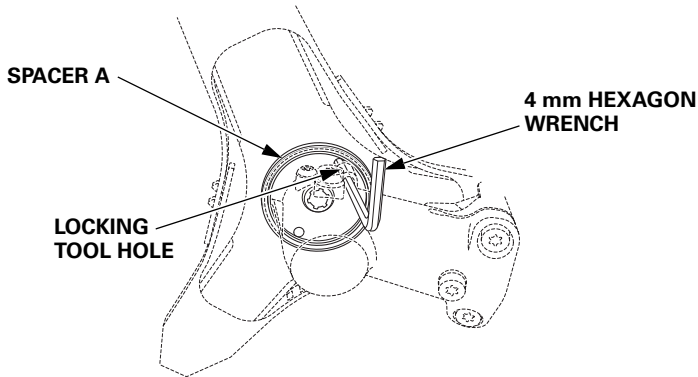
### CAUTION:

- Wear heavy gloves to protect your hands when servicing around the cutting attachment.
- To avoid personal injury, install the cutting means cover to the steel cutting means before servicing around the steel cutting means.

To install the cutting means cover, please refer to page 14.

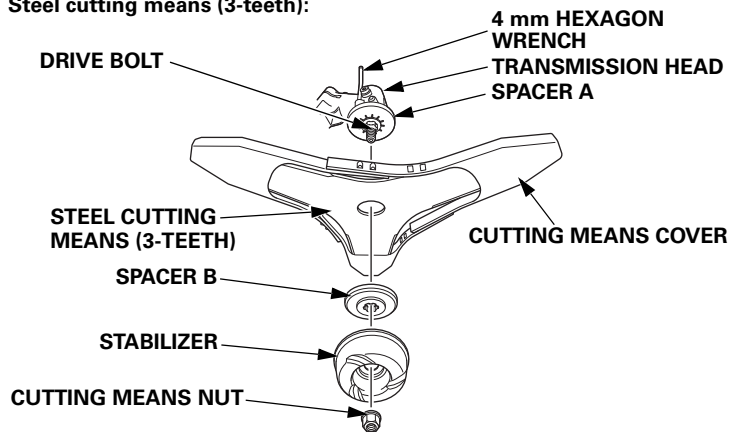
### Removal:

1. Stop the engine with the engine switch in the OFF position.
2. Insert the 4 mm hexagon wrench into the locking tool hole. Turn the steel cutting means until you feel the hexagon wrench drops into the hole of the spacer A. Make sure the steel cutting means does not turn.

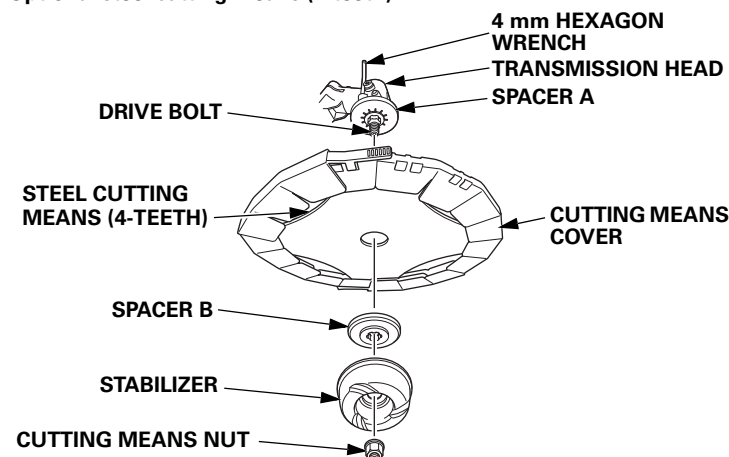


3. Loosen the cutting means nut. The drive bolt and cutting means nut use left-hand threads. Turn clockwise to loosen. Pay attention to the order and orientation of the parts as they are removed.

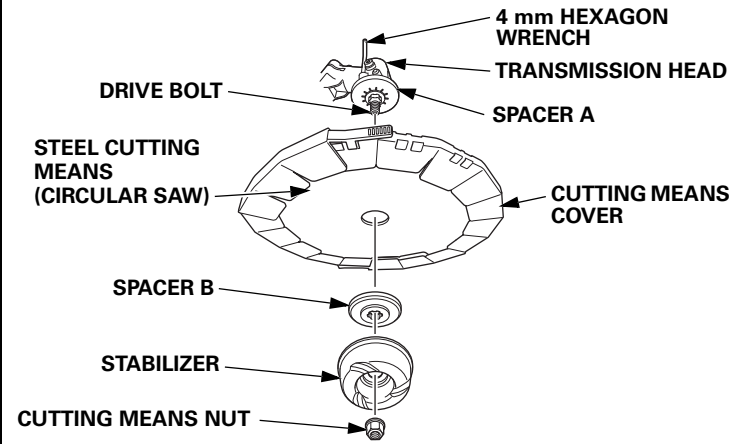
### Steel cutting means (3-teeth):



### Optional steel cutting means (4-teeth):



### Optional steel cutting means (circular saw):



### Installation:

To install the steel cutting means, please see page 10.

## ENGINE OIL CHANGE

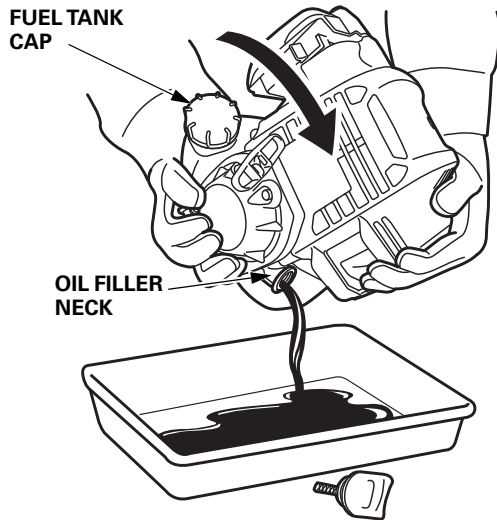
### NOTE:

- Running the engine with low oil level will cause serious engine damage.
- Using nondetergent oil or 2-stroke engine oil could shorten the engine's service life.

### NOTE:

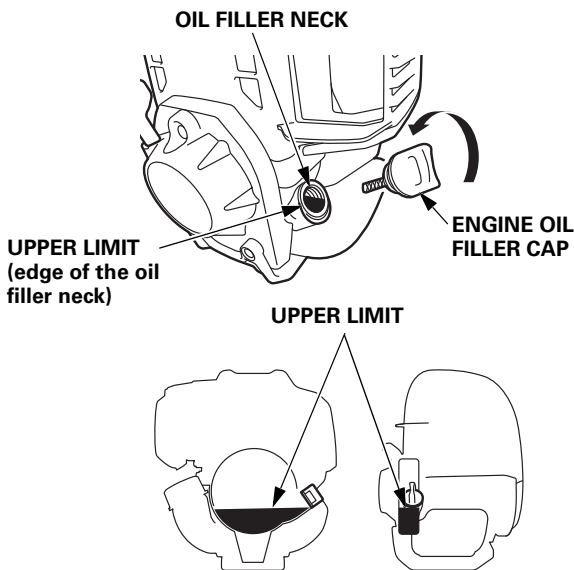
Drain the oil while the engine is still warm to assure rapid and complete draining.

1. Check that the fuel tank cap is tightened.
2. Remove the oil filler cap and drain the oil into the oil container by tipping the engine toward the oil filler neck.



3. Refill with the recommended oil to the upper limit (edge of the oil filler neck).
4. Install the oil filler cap.

ENGINE OIL CAPACITY: 130 cm<sup>3</sup> (0.13 L, 0.11 Imp qt)



Wash your hands with soap and water after handling used oil.

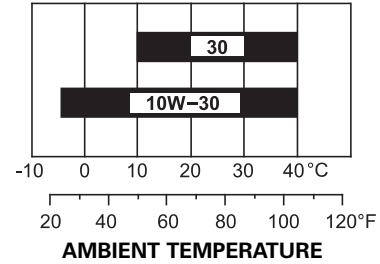
### NOTE:

Please dispose of used motor oil in a manner that is compatible with the environment. We suggest you take it in a sealed container to your local service station for reclamation. Do not throw it in the trash or pour it on the ground.

## Recommended engine oil

Use 4-stroke motor oil that meets or exceeds the requirements for API service classification SE or later (or equivalent). Always check the API service label on the oil container to be sure it includes the letters SE or later (or equivalent). SAE 10W-30 is recommended for general use. Other viscosities shown in the chart may be used when the average temperature in your area is within the indicated range.

Lubrication oil specifications necessary to maintain the performance of the emissions control system: Honda genuine oil.



## CLEANING AIR CLEANER FILTER

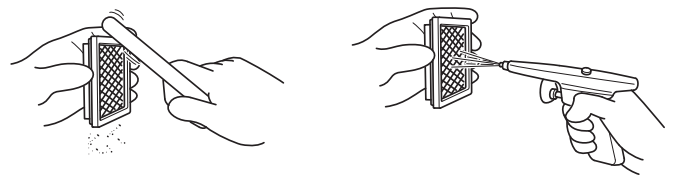
A dirty air cleaner will restrict air flow to the carburetor. To prevent carburetor malfunction, service the air cleaner regularly. Service more frequently when operating the brushcutter in extremely dusty places.

### ▲WARNING

Never use petrol or low flash point solvents to clean the air cleaner element. A fire or explosion could result.

Remove the air cleaner element to clean it. To remove the air cleaner element, see page 15.

Tap the paper air cleaner element several times on a hard surface to remove dirt, or blow compressed air [not exceeding 200 kPa (2.0 kgf/cm<sup>2</sup>, 29 psi)] through the cleaner element from the air cleaner body side. Never try to brush off dirt; brushing will force dirt into the fibers. Replace the air cleaner element if it is excessively dirty.



After cleaning the air cleaner filter, install it to the air cleaner body securely.

To install the air cleaner element, see page 15.

### NOTE:

Never run the engine without the air cleaner; rapid engine wear will result.

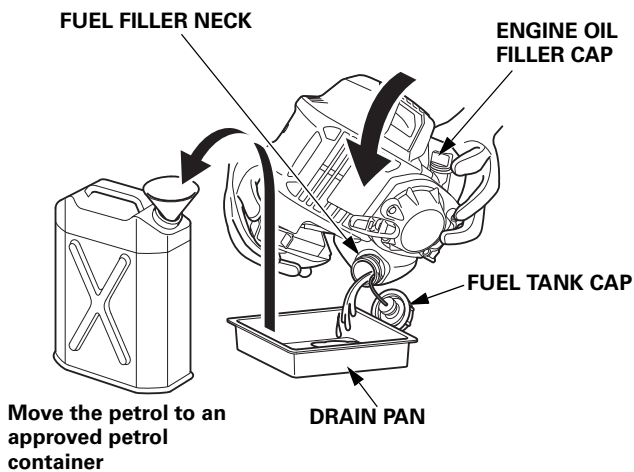
## FUEL FILTER AND FUEL TANK CLEANING

### ▲WARNING

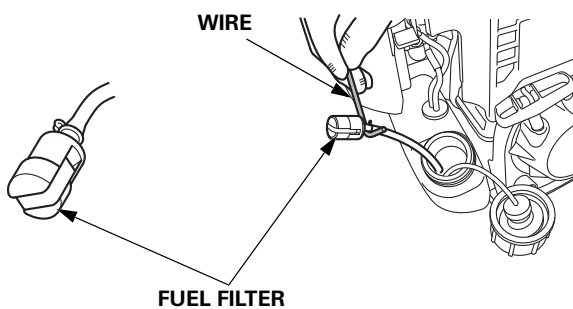
- Petrol is extremely flammable and explosive under certain conditions.
- Service in a well-ventilated area with the engine stopped. Do not smoke or allow flames or sparks in the area where the engine is refueled or where petrol is stored.
- Be careful not to spill fuel when refueling. Spilled fuel or fuel vapour may ignite. If any fuel is spilled, make sure the area is dry before starting the engine.
- Avoid repeated or prolonged contact with skin or breathing of vapour.
- KEEP OUT OF REACH OF CHILDREN.

Note that the clogged fuel filter can cause poor engine performance. Water and dust, dirt or contaminated material in the fuel tank cause poor engine performance.

1. Be sure that the engine oil filler cap is tightened securely.
2. Remove the fuel tank cap and drain the petrol into the container by tipping the engine toward the fuel filler neck.



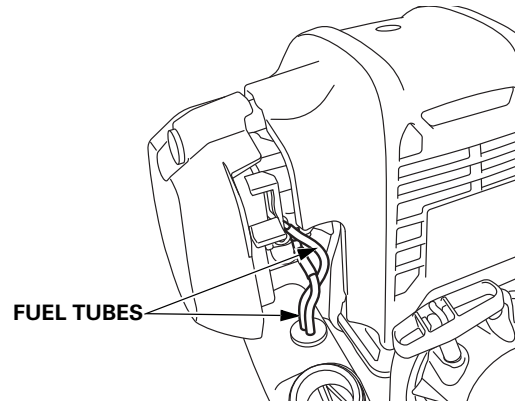
3. Pull out the fuel filter with a wire (such as a straightened paper clip) from the fuel filler neck gently.



4. Inspect the fuel filter of its dirt. If the fuel filter is dirty, wash it gently with nonflammable or high flash point solvent. If the fuel filter is excessively dirty, replace it.
5. Remove water and dirt in the fuel tank by rinsing the inside of the fuel tank with nonflammable or high flash point solvent.
6. Return the fuel filter into the fuel tank and tighten the fuel tank cap securely.

## CHECKING THE FUEL TUBES

Check that fuel tubes for cracks and any other deterioration and confirm that there is no leakage of fuel on the fuel tubes. If you notice any abnormal symptoms on the fuel tubes, contact your servicing dealer.



## GREASING THE TRANSMISSION HEAD

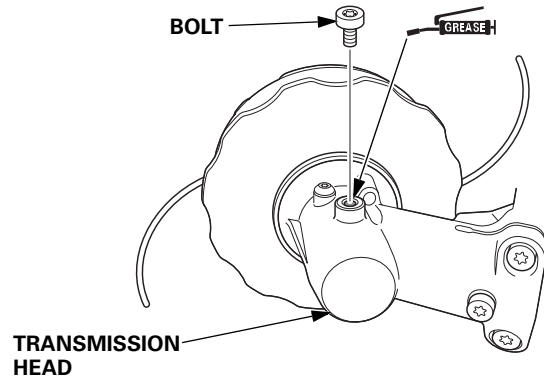
### ▲WARNING

- To avoid severe personal injury, make sure that the engine switch is in the OFF position to prevent accidental starting.

### CAUTION:

- Wear heavy gloves to protect your hands when servicing around the cutting attachment.

1. Remove the bolt of the transmission head.
2. Apply the grease until the grease overflows the transmission head while turning the cutting attachment slowly.  
Maximum amount of grease:  
UEET, LEET types: 14.5 g (0.51 oz)  
XEET type: 19.0 g (0.67 oz)
3. Install the bolt securely.  
Tighten the bolt securely. Tightening torque of the bolt: 6.9 N·m (0.7 kgf·m)  
Recommended grease: Lithium Complex Moly, NLGI grade 2= penetration is approximately 290 (Equivalent of Molynoc No.2 JXTG Nippon Oil & Energy Corporation)



## TRANSPORTING

### CAUTION:

- To avoid personal injury, install the cutting means cover to the steel cutting means before transporting the brushcutter.

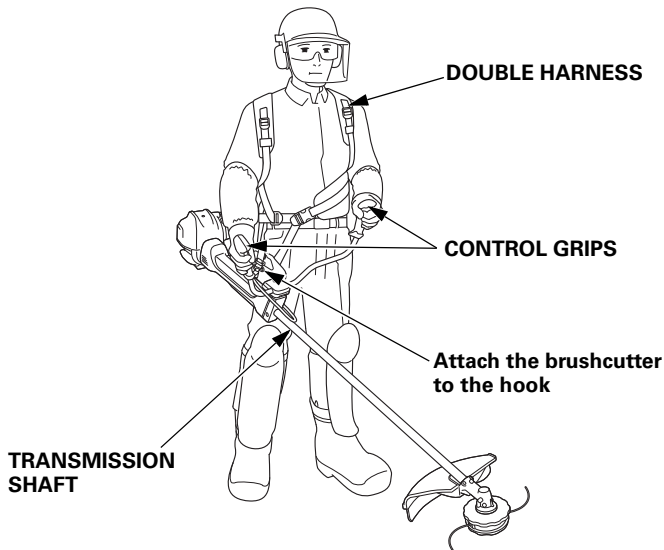
To install the cutting means cover, please refer to page 14.

Always turn the engine switch to the OFF position. Make sure the fuel cap is securely tightened and the engine is cool.

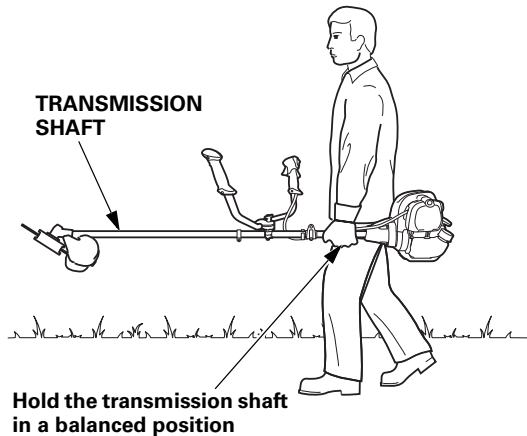
### CARRYING THE BRUSHCUTTER BY HAND

Attach the brushcutter to the hook of double harness and hold the control grips, or hold the transmission shaft to carry it with good balance.

Carrying by holding the control grips:



Carrying by holding the transmission shaft:



### TRANSPORTING THE BRUSHCUTTER BY VEHICLE

Secure the brushcutter in level and make sure that it will not move or fall down.

For UEET and XEET types, fold the handle bar as necessary (see page 13).

## STORAGE

Proper storage preparation is essential for keeping your brushcutter trouble free and looking good. The following steps will help to keep rust and corrosion from impairing your brushcutter.

### CAUTION:

- If the brushcutter has been running, the engine will be very hot; allow it to cool before proceeding.
- Place the brushcutter on a level surface and make sure that the engine switch is in the OFF position to be certain the engine will not start accidentally.

### CLEAN THE BRUSHCUTTER

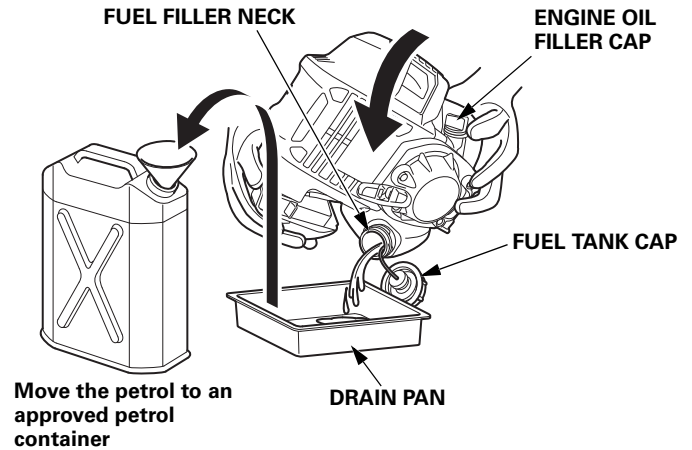
Clean all exterior surfaces, touch up any damaged paint, and coat other areas that may rust with a light film of oil.

### DRAIN THE FUEL

#### ▲WARNING

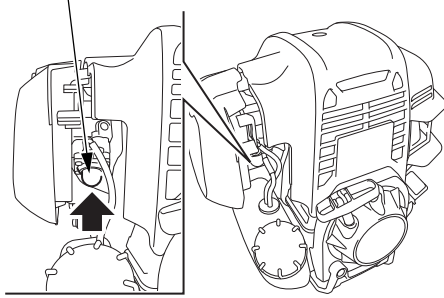
- Petrol is extremely flammable and is explosive under certain conditions.
- Service in a well-ventilated area with the engine stopped. Do not smoke or allow flames or sparks in the area where the engine is refueled or where petrol is stored.
- Be careful not to spill fuel when refueling. Spilled fuel or fuel vapour may ignite. If any fuel is spilled, make sure the area is dry before starting the engine.
- Avoid repeated or prolonged contact with skin or breathing of vapour.
- KEEP OUT OF REACH OF CHILDREN.

1. Be sure that the engine oil filler cap is tightened securely.
2. Remove the fuel tank cap and drain the fuel into the container by tipping the engine toward the fuel filler neck.



- Press the priming pump several times until all fuel has returned to the fuel tank.

#### PRIMING PUMP



- Tip the engine toward the fuel filler neck again to drain the fuel left in the fuel tank into the container.
- Tighten the fuel tank cap securely after draining the fuel completely.
- Start the engine and let it work until it stops because lack of fuel.

#### NOTE:

- Deteriorated petrol may cause unexpected damage to your engine.
- Petrol should be stored in a clean container used exclusively for petrol.
- Petrol should be stored in a cool and well ventilated place.
- Do not store or transport petrol in PET [poly (ethylene terephthalate)] bottles.

#### CHANGE THE ENGINE OIL

To change the engine oil, refer to page 31.

#### CAUTION:

The engine will be very hot if it has been running. Allow it to cool before proceeding.

#### CLEAN THE AIR CLEANER

To clean the air cleaner, refer to the page 31.

#### PULLING THE STARTER GRIP SLOWLY

Pull the starter grip slowly until resistance is felt. Storing with this position prevents internal corrosion.

#### PUTTING THE OIL TO THE STEEL CUTTING MEANS

Put a light film of oil to the steel cutting means to prevent rust.

#### STORING

Close the choke (move the choke lever upwards) and install the cutting means cover.  
For UEET and XEET types, fold the handle bar as necessary (see page 13).

Cover the brushcutter to keep out dust.

If storing at vertical position, the engine side should be lower to prevent falling down during storage.

Before using the brushcutter, conduct the pre-operation checks properly.

## TROUBLESHOOTING

### ENGINE DOES NOT START

- |   |         |
|---|---------|
| 1. No fuel.   | Page 15 |
| 2. The engine switch is OFF.  | Page 23 |
| 3. Spark plug cap incorrectly attached or disconnected.                     | -       |
| 4. Faulty spark plug or incorrect gap.                                      | -       |
| 5. Engine flooded. Remove spark plug, dry it with a cloth and reinstall it. | -       |
| 6. Fuel filter is dirty. Clean it.  | Page 32 |

### STARTING DIFFICULT OR LOSS OF POWER

- |  |         |
|--|---------|
| 1. Dirty air cleaner.                              | Page 31 |
| 2. Impurities in the fuel tank.                    | Page 32 |
| 3. Water in the fuel tank and fuel.                | Page 32 |
| 4. Fuel tank cap vent and / or carburetor clogged. | -       |
| 5. Engine is hot; choke is closed. Open choke.     | Page 23 |

### UNEVEN RUNNING

- |  |         |
|--|---------|
| 1. Faulty spark plug or incorrect gap. | -       |
| 2. Dirty air cleaner.                  | Page 31 |

### ENGINE OVER HEAT

- |  |         |
|--|---------|
| 1. Spark plug gap is incorrect.                  | -       |
| 2. Dirty air cleaner.                            | Page 31 |
| 3. Engine cooling fins clogged.                  | -       |
| 4. Oil level too low.                            | Page 14 |
| 5. Starter pulley fouled by grass cuttings, etc. | -       |

### BRUSHCUTTER VIBRATES EXCESSIVELY

- |   |   |
|---|---|
| 1. Steel cutting means incorrectly balanced or cutting attachment incorrectly fitted. | - |
| 2. Engine bolts loose.  | - |

### CONTROL GRIP VIBRATES EXCESSIVELY (XEET TYPE)

- |  |   |
|--|---|
| 1. Floating box becomes insufficient by rubber holder sliding.   | - |
| 2. Floating box becomes insufficient by damage of rubber holder. | - |

For the possible causes that are not referred in this manual, consult your servicing dealer.

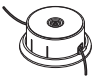


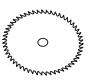










## ACCESSORIES

### CURRENT PARTS, CONSUMABLES

Various accessories are supplied with the machine or are available as options, depending on the model.

When you need those accessories or parts, contact your servicing dealer for purchase.

	UEET	LEET	XEET
Mowing and clearing			
	Item	Flexible cutting means	
	Part No.	72560-VL6-P31	72560-VR4-E21
Thorny hedges and brush			
	Item	Standard steel cutting means (3-teeth)	
	Part No.	72511-VL6-P31	72511-VR4-E21
Large areas of grass			
	Item	Optional steel cutting means (4-teeth)	
	Part No.	72511-VF9-E32 (Ø230 mm) 72512-VL6-P31 (Ø255 mm)	
Knotty brush and bushes (optional for model UEET and XEET types)			
	Item	Optional steel cutting means (circular saw)	
	Part No.	72511-VL6-H31	72511-VL6-H31
Standard cutting attachment guard for flexible cutting means and steel cutting means (3-teeth, 4-teeth)			
	Item	Standard cutting attachment guard	
	Part No.	76240-VR4-E01	
Optional cutting attachment guard for steel cutting means (circular saw)			
	Item	Optional cutting attachment guard	
	Part No.	76247-VL6-J31	76247-VL6-J31
Cutting means cover for steel cutting means (3-teeth) of UEET and LEET types and all optional steel cutting means			
	Item	Cutting means cover	
	Part No.	72534-VJ3-681	
Cutting means cover for steel cutting means (3-teeth) of XEET type			
	Item	Cutting means cover	
	Part No.	72534-VR4-E21	

Current parts		
	Item	Air filter
	Part No.	17211-Z3F-000
	Item	Spark plug
	Part No.	31915-Z0H-003
	Item	Recoil starter rope
	Part No.	28462-ZM3-003
Consumables		
	Item	Engine oil
	Part No.	08221-888-010MP

Illustrations in this table are visual references. Appearance may be different from the actual product.

### ▲WARNING

**For your safety, it is strictly prohibited to install any other attachment than the ones listed above and especially designed for your brushcutter's model and type.**

### DISPOSAL

To protect the environment, do not dispose of this product, battery, engine oil, etc. carelessly by leaving them in the waste. Observe the local laws and regulations or consult authorized Honda dealer for disposal.

### TECHNICAL INFORMATION

#### CARBURETOR MODIFICATION FOR HIGH ALTITUDE OPERATION

At high altitudes, the standard carburetor air-fuel mixture will be too rich. Performance will decrease, and fuel consumption will increase. A very rich mixture will also foul the spark plugs and cause hard starting.

Operation at an altitude that differs from that at which this engine was certified, for extended periods of time, may increase emissions.

High altitude performance can be improved by specific modifications to the carburetor. If you always operate your brushcutter at altitudes above 1,500 m (5,000 ft), have your servicing dealer perform this carburetor modification. This engine, when operated at high altitude with the carburetor modifications for high altitude use, will meet each emission standard throughout its useful life.

Even with carburetor modification, engine horsepower will decrease about 3.5% for each 300 m (1,000 ft) increase in altitude. The effect of altitude on horsepower will be greater than this if no carburetor modification is made.

#### CAUTION:

When the carburetor has been modified for high altitude operation, the air-fuel mixture will be too lean for low altitude use. Operation at altitudes below 1,500 m (5,000 ft) with a modified carburetor may cause the engine to overheat and result in serious engine damage. For use at low altitudes, have your servicing dealer return the carburetor to original factory specifications.

## SPECIFICATIONS

MODEL		UMK450E		
TYPE		UEET	LEET	XEET
Description code		HAMF	HANF	HAMF
Function		Cutting of brush		
<b>FRAME</b>				
Handle type		Bike handle	Loop handle	Bike handle
Clutch type		Centrifugal clutch		
Cutting attachment (Flexible cutting means)	Type	Nylon line cutting head, Tap & Go		
	Body diameter	444 mm (17.5 in)		
Cutting attachment (Steel cutting means)	Type	3-teeth blade		
	Overall diameter	255 mm (10.0 in)		303 mm (11.9 in)
Dimensions Length x Width x Height	Flexible cutting means	1870 x 670 x 520 mm (73.6 x 26.4 x 20.5 in)	1870 x 385 x 280 mm (73.6 x 15.2 x 11.0 in)	1880 x 670 x 585 mm (74.0 x 26.4 x 23.0 in)
	Steel cutting means (3-teeth)	1905 x 670 x 510 mm (75.0 x 26.4 x 20.1 in)	1905 x 385 x 280 mm (75.0 x 15.2 x 11.0 in)	1925 x 670 x 570 mm (75.8 x 26.4 x 22.4 in)
Dry mass (without cutting attachment, oil and fuel)		8.1 kg (17.9 lbs)	7.7 kg (17.0 lbs)	9.4 kg (20.7 lbs)
Number of cutting attachment rotation (Maximum rotation when completed machine under no load)	Flexible cutting means	7,100 min <sup>-1</sup> (rpm)	7,100 min <sup>-1</sup> (rpm)	7,400 min <sup>-1</sup> (rpm)
	Steel cutting means (3-teeth)	8,150 min <sup>-1</sup> (rpm)	8,150 min <sup>-1</sup> (rpm)	7,900 min <sup>-1</sup> (rpm)
<b>ENGINE</b>				
Model		GX50T		
Description code		GCCFT		
Type		4 stroke, overhead-camshaft, single cylinder, forced air cooled		
Displacement		47.9 cm <sup>3</sup> (2.9 cu-in)		
Bore / Stroke		43.0 x 33.0 mm (1.69 x 1.30 in)		
Net power* (SAE J1349)		1.4 kW (2.0 PS)/7,000 min <sup>-1</sup> (rpm)		
Net Torque max.of engine* (SAE J1349)		2.2 N·m (0.22 kgf·m, 1.6 lbf·ft)/5,000 min <sup>-1</sup> (rpm)		
Maximum speed when no load		MIN. 10,000 min <sup>-1</sup> (rpm)		
Idle speed		3,100±200 min <sup>-1</sup> (rpm)		
Engine oil		4-stroke motor oil, API service classification SE or later (or equivalent), SAE 10W-30		
Oil capacity		130 cm <sup>3</sup> (0.13 L, 0.11 Imp qt)		
Fuel		Unleaded petrol E10		
Fuel tank capacity		630 cm <sup>3</sup> (0.63 L, 0.55 Imp qt)		
Ignition		Transistor magneto		
Spark plug brand and type		NGK CMR5H		
Carburetor		Diaphragm		
Carbon dioxide (CO2) emissions**		Please refer to "CO2 Information List" on <a href="http://www.honda-engines-eu.com/co2">www.honda-engines-eu.com/co2</a>		

\* The power rating of the engine indicated in this document is the net power output tested on a production engine for the engine model GX50T and measured in accordance with SAE J1349 at 7,000 min<sup>-1</sup> (rpm) (Net Power) SAE J1349 and 5,000 min<sup>-1</sup> (rpm) (Net Torque max.).

Mass production engines may vary from this value. Actual power output for the engine installed in the final machine will vary depending on numerous factors, including the operating speed of the engine in application, environmental conditions, maintenance, and other variables.

\*\* The CO2 measurement results from testing over a fixed test cycle under laboratory conditions a(n) (parent) engine representative of the engine type (engine family) and shall not imply or express any guarantee of the performance of a particular engine.

NOISE							
Types		Items	Equivalent sound pressure level at operator station (2006/42/EC, ISO 22868: 2011) (dB(A))		Measured sound power level (2000/14/EC) (dB(A))		Guaranteed sound power level (2000/14/EC) (dB(A))
				Measuring uncertainty (dB(A))		Measuring uncertainty (dB(A))	
UEET	Flexible cutting means		96.0	2.3	108.4	2.3	112
	Steel cutting means (3-teeth)		94.1	1.6	103.0	1.6	112
	Steel cutting means (4-teeth, $\Phi$ 255 mm) (Option)		94.2	2.3	103.1	2.3	112
	Steel cutting means (4-teeth, $\Phi$ 230 mm) (Option)		94.3	1.9	103.1	1.9	112
	Steel cutting means (circular saw) (Option)		94.7	6.4	106.1	6.4	112
LEET	Flexible cutting means		94.9	1.3	108.8	1.3	112
	Steel cutting means (3-teeth)		92.7	1.4	103.1	1.4	112
	Steel cutting means (4-teeth, $\Phi$ 255 mm) (Option)		93.2	1.3	103.1	1.3	112
	Steel cutting means (4-teeth, $\Phi$ 230 mm) (Option)		93.1	1.5	103.0	1.5	112
XEET	Flexible cutting means		97.0	1.8	109.2	1.8	112
	Steel cutting means (3-teeth)		95.4	1.4	103.4	1.4	112
	Steel cutting means (4-teeth, $\Phi$ 255 mm) (Option)		94.5	1.2	102.8	1.2	112
	Steel cutting means (4-teeth, $\Phi$ 230 mm) (Option)		95.1	1.6	102.6	1.6	112
	Steel cutting means (circular saw) (Option)		94.7	4.1	105.7	4.1	112

Vibration				
Types and measuring positions			Equivalent vibration level (2006/42/EC, ISO 22867: 2011) ( $m/s^2$ )	
				Measuring uncertainty ( $m/s^2$ )
UEET	Flexible cutting means	Left side	3.58	0.50
		Right side	3.80	0.50
	Steel cutting means (3-teeth)	Left side	4.06	1.00
		Right side	3.39	0.90
	Steel cutting means (4-teeth, $\Phi$ 255 mm) (Option)	Left side	5.49	1.40
		Right side	3.96	1.00
	Steel cutting means (4-teeth, $\Phi$ 230 mm) (Option)	Left side	3.65	1.20
		Right side	2.54	0.60
	Steel cutting means (circular saw) (Option)	Left side	6.80	1.60
		Right side	4.52	1.00
LEET	Flexible cutting means	Rear side	5.90	0.90
		Front side	4.77	1.40
	Steel cutting means (3-teeth)	Rear side	5.58	0.50
		Front side	4.89	2.10
	Steel cutting means (4-teeth, $\Phi$ 255 mm) (Option)	Front side	5.66	0.80
		Rear side	5.91	0.40
Steel cutting means (4-teeth, $\Phi$ 230 mm) (Option)	Front side	4.18	1.30	
	Rear side	5.81	0.80	
XEET	Flexible cutting means	Left side	2.30	0.60
		Right side	1.80	0.20
	Steel cutting means (3-teeth)	Left side	2.45	0.48
		Right side	1.85	0.27
	Steel cutting means (4-teeth, $\Phi$ 255 mm) (Option)	Left side	2.25	0.41
		Right side	1.87	0.35
	Steel cutting means (4-teeth, $\Phi$ 230 mm) (Option)	Left side	2.30	0.64
		Right side	1.93	0.44
Steel cutting means (circular saw) (Option)	Left side	2.36	0.50	
	Right side	2.15	0.20	



## INTRODUCTION

Nous vous remercions d'avoir porté votre choix sur une débroussailleuse Honda.

Le présent manuel décrit le fonctionnement et l'entretien de la débroussailleuse Honda UMK450E.

Honda France manufacturing S. A. S. se réserve le droit de procéder à des modifications à tout moment sans préavis et sans obligation de sa part.

Les illustrations de ce manuel correspondent au modèle le plus représentatif.

Les autres illustrations communes à tous les types ont été réalisées d'après le type UMK450E XEET.

Les illustrations de l'organe de coupe dans ce manuel correspondent au type le plus représentatif.

Les autres illustrations communes à tous les types ont été réalisées d'après l'organe de coupe flexible ou l'organe de coupe en acier (3 dents). Les illustrations du présent manuel peuvent être différentes de celles du modèle utilisé.

Aucune partie de cette publication ne peut être reproduite sans autorisation écrite.

Ce manuel doit être considéré comme faisant partie de la débroussailleuse et doit l'accompagner en cas de revente.

### MESSAGES DE SECURITE

Faire particulièrement attention aux indications précédées des mots suivants :

#### ▲ AVERTISSEMENT

Indique un risque élevé de blessure grave, voire mortelle, si les instructions ne sont pas respectées.

#### ATTENTION :

Indique un risque de blessure ou de dommage matériel si les instructions ne sont pas respectées.

#### REMARQUE :

Fournit des informations utiles.

### LIRE LE MANUEL DE L'UTILISATEUR

Lire attentivement les instructions du présent manuel avant d'utiliser la débroussailleuse. Se familiariser avec son utilisation correcte et ses commandes. Apprendre à arrêter rapidement le moteur (voir page 26).

Lire et comprendre les instructions de sécurité aux pages 2 à 4 avant d'utiliser la débroussailleuse.

Les débroussailleuses Honda sont conçues pour fournir un service sûr et fiable si elles sont utilisées conformément aux instructions.

#### ▲ AVERTISSEMENT

**L'utilisation d'une débroussailleuse nécessite des efforts particuliers pour garantir la sécurité de l'utilisateur et des autres personnes. Lire et comprendre ce manuel de l'utilisateur avant d'utiliser la débroussailleuse ; un non-respect de cette instruction pourrait entraîner des blessures ou des dommages matériels.**

En cas de problème ou pour toute question concernant la débroussailleuse, s'adresser à son concessionnaire réparateur.

2019 - Honda France Manufacturing S.A.S. - Pôle 45 - Rue des Châtaigniers  
45140 ORMES - FRANCE - Tous droits réservés

3RVR46000  
00X3R-VR4-6000

0919  
Imprimé en France

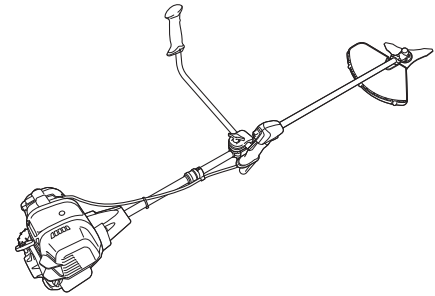
# HONDA

## MANUEL DE L'UTILISATEUR

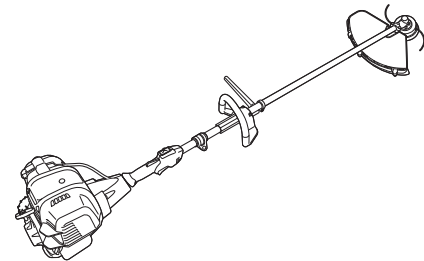
(Instructions originales)

### UMK450E Débroussailleuses

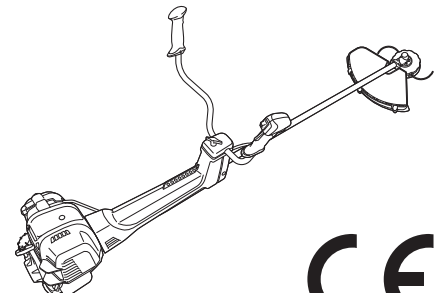
TYPE UEET



TYPE LEET



TYPE XEET







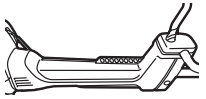
FRANCAIS

### SOMMAIRE

INTRODUCTION.....	1
COMMENT IDENTIFIER VOTRE MACHINE .....	2
INSTRUCTIONS DE SECURITE .....	2
EMPLACEMENTS DES ETIQUETTES DE SECURITE .....	4
IDENTIFICATION DE LA MACHINE.....	5
IDENTIFICATION DES COMPOSANTS.....	6
INSTRUCTIONS DE MONTAGE.....	8
COMMANDES ET COMPOSANTS.....	11
CONTROLES AVANT UTILISATION .....	14
DEMARRAGE DU MOTEUR .....	23
OPERATION DE TAILLAGE .....	24
ARRET DU MOTEUR.....	26
ENTRETIEN.....	27
TRANSPORT.....	33
REMISAGE.....	33
DEPISTAGE DES PANNES .....	34
ACCESSOIRES .....	35
MISE AU REBUT .....	35
INFORMATIONS TECHNIQUES.....	35
CARACTERISTIQUES TECHNIQUES .....	36
Adresses des principaux concessionnaires Honda .....	38
"Déclaration CE de Conformité" DESCRIPTION DE TABLE DES MATIERES .....	39

## COMMENT IDENTIFIER VOTRE MACHINE

Le modèle de la débroussailleuse est indiqué sur son « étiquette d'identification » par une série de lettres.

	UEET	LEET	XEET
 Guidon	•*		•*
 Poignée en forme d'anneau		•	
 Organe de coupe flexible	•*	•*	•*
 Organe de coupe en acier (3 dents)	•*	•*	•*
 Système anti-vibrations			•

\* Les caractéristiques techniques peuvent varier pour chaque type.

\* Pour plus d'informations sur les applications de l'organe de coupe en option, se reporter à la page 35.

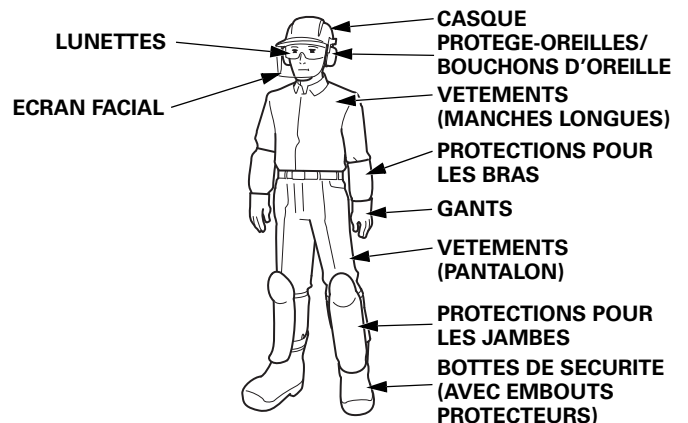
## INSTRUCTIONS DE SECURITE

### RESPONSABILITES DE L'UTILISATEUR

#### ▲ AVERTISSEMENT

- Ne jamais utiliser la débroussailleuse lorsque l'on est fatigué, malade ou sous l'emprise d'alcool ou de drogues.
- Toutes les pièces de la machine sont une source potentielle de danger si la machine est utilisée dans des conditions anormales ou si l'entretien n'est pas réalisé correctement.
- Ne jamais essayer de modifier la débroussailleuse. Cela peut entraîner un accident et endommager la débroussailleuse et les appareils. L'altération du moteur annule l'approbation de type UE de ce moteur.
  - Ne pas raccorder de prolongateur au silencieux.
  - Ne pas modifier le système d'admission.
- Lire attentivement le manuel de l'utilisateur. Se familiariser avec les commandes et l'utilisation correcte de la débroussailleuse. Apprendre à arrêter rapidement le moteur.
- Utiliser la débroussailleuse pour l'application pour laquelle elle est prévue, c'est-à-dire le taillage et le débroussaillage. Toute autre utilisation peut être dangereuse ou endommager la débroussailleuse. Ne pas utiliser la débroussailleuse comme un ébranchoir.
- Ne jamais laisser des enfants ou des personnes qui n'ont pas lu le présent manuel de l'utilisateur utiliser la débroussailleuse. Les réglementations locales peuvent limiter l'âge de l'utilisateur.

- Si la débroussailleuse est prêtée ou revendue à un tiers, lui indiquer comment manipuler le produit et lui dire de lire attentivement le manuel avant d'utiliser la machine.
- Ne jamais utiliser la débroussailleuse lorsque :
  - des personnes, en particulier des enfants, ou des animaux se trouvent à proximité.
- Ne jamais utiliser la machine si l'on est fatigué ou malade, ni après avoir consommé des médicaments, des drogues, de l'alcool ou des substances dangereuses, cela pourrait nuire à nos capacités en matière de réflexes et de concentration.
- Maintenir les personnes et les animaux domestiques à au moins 15 m de l'utilisateur pendant le fonctionnement. Noter que si une personne aide l'utilisateur, elle doit également travailler à au moins 15 m de l'utilisateur. Nous recommandons de décider à l'avance d'un signal d'arrêt du moteur et d'autres signaux entre l'utilisateur et son assistant, et de les utiliser pour une question de sécurité pendant le fonctionnement.
- Garder à l'esprit que l'opérateur ou l'utilisateur est responsable d'accidents ou de dangers provoqués sur d'autres personnes ou ce qui leur appartient.
- Lorsque la débroussailleuse est utilisée, toujours porter les vêtements et dispositifs de protection suivants.
  - Vêtements de protection
    - Porter des vêtements adaptés, à manches longues et un pantalon. Les vêtements doivent être ajustés et bien boutonnés ou fermés par une fermeture à glissière. Ne pas laisser traîner les manches et le bas de sa chemise/veste. Porter des protections de bras.
    - Lorsque la machine est utilisée, ne pas porter de vêtements avec lacets et/ou rubans, de cravates, de colliers, etc. Ils pourraient se coincer dans la débroussailleuse ou dans l'herbe et entraîner des blessures.
    - Attacher ses cheveux s'ils sont longs, et ne pas les laisser tomber sous l'épaule.
  - Dispositifs de protection
    - \* **Lunettes**
      - Porter des lunettes ou une autre protection oculaire pour se protéger les yeux des débris projetés par l'accessoire de coupe en rotation.
    - \* **Casque**
      - Porter un casque pour se protéger la tête des branches situées au-dessus et des matières qui tombent.
    - \* **Écran facial**
      - Porter un écran facial pour se protéger le visage des débris projetés par l'accessoire de coupe en rotation.
    - \* **Protège-oreilles/bouchons d'oreille**
      - Porter des protège-oreilles, des bouchons d'oreille ou une autre protection auditive pour se protéger les oreilles du bruit.
    - \* **Gants**
      - Porter des gants pour se protéger les mains.
    - \* **Bottes de sécurité**
      - Porter des bottes de sécurité avec semelle antidérapante et embouts protecteurs afin de protéger ses pieds des débris éjectés. Ne pas utiliser la débroussailleuse lorsque l'on est pieds nus ou que l'on porte des sandales ouvertes. Porter également des protections pour les jambes.
    - \* **Masque anti-poussière**
      - Nous recommandons de porter un masque anti-poussière en cas de rhinites allergiques, par exemple, allergies aux pollens, etc. Des masques anti-poussière sont disponibles dans les pharmacies et sont utilisés pour réduire la quantité de pollens inhalés.





- Avant chaque utilisation, inspecter visuellement la débroussailleuse, y compris l'organe de coupe, pour vérifier qu'ils ne sont pas endommagés et qu'aucune pièce de fixation n'est desserrée.
- Ne jamais utiliser la machine s'il existe un risque de mauvaises conditions météorologiques telles que de l'orage ou une tempête. Si cela devait se produire, arrêter de travailler.
- Marcher, ne jamais courir lorsque la machine est utilisée.
- Éviter d'utiliser la débroussailleuse sur une pente abrupte. Les pentes abruptes sont très glissantes, cela pourrait entraîner une chute.
- Ne pas utiliser la débroussailleuse si la protection de l'organe de coupe, les étiquettes et d'autres pièces ont été retirées. Noter que la protection de l'organe de coupe est fournie pour protéger l'utilisateur des débris qui sont projetés par l'accessoire de coupe en rotation. Ne jamais utiliser la débroussailleuse si la protection de l'accessoire de coupe a été retirée ou n'a pas encore été correctement montée.
- Ne pas monter une pièce qui n'est pas adaptée et ne pas modifier la débroussailleuse, cela pourrait entraîner des blessures et/ou des dommages matériels. Utiliser l'accessoire de coupe conçu pour le modèle de débroussailleuse et l'application prévue.
- Avant de faire démarrer le moteur, vérifier bien que l'accessoire de coupe n'entre pas en contact avec le sol ou un obstacle. Un non-respect de cette instruction pourrait entraîner une perte de contrôle de la débroussailleuse.
- Démarrer le moteur avec précaution, en respectant les instructions et en tenant les mains et les pieds éloignés de l'accessoire de coupe.
- Démarrer la débroussailleuse sur une surface plane, sans hautes herbes ni obstacle.
- Ne pas lever l'accessoire de coupe au-dessus des genoux pendant le fonctionnement de la machine. Les débris projetés par l'accessoire de coupe en rotation risqueraient d'atteindre le visage et les yeux et provoquer des blessures.
- Ne jamais transporter la débroussailleuse alors que l'accessoire de coupe tourne. Avant de transporter la débroussailleuse, veiller à arrêter le moteur et à vérifier que l'accessoire de coupe ne tourne plus.
- Arrêter le moteur en plaçant le contacteur moteur sur la position **ARRET** dans les cas suivants :
  - Avant toute opération autour de l'accessoire de coupe.
  - Avant un contrôle, un nettoyage ou un travail sur la débroussailleuse.
  - Après avoir heurté un corps étranger. Inspecter la débroussailleuse pour vérifier si elle est endommagée et effectuer les réparations avant de redémarrer et d'utiliser de nouveau la débroussailleuse.
  - Si la débroussailleuse commence à vibrer de façon anormale. Rechercher immédiatement l'origine des vibrations et effectuer les réparations nécessaires.
  - Dès que la débroussailleuse est laissée sans surveillance.
  - Avant de refaire le plein.
  - Lorsqu'une personne ou un animal s'approche.
  - Arrêter immédiatement le moteur lorsque la débroussailleuse se met à vibrer brusquement et anormalement. Des vibrations soudaines indiquent que des pièces rotatives sont endommagées ou que des dispositifs de fixation sont desserrés. Rechercher l'origine du problème et ne pas démarrer le moteur avant que la réparation ait été effectuée.
  - Lorsque des fils métalliques se coincent sur l'accessoire de coupe en rotation et claquent autour. Retirer les fils une fois que l'accessoire de coupe s'est immobilisé.
  - Avant de poser la débroussailleuse au sol, vérifier que l'accessoire de coupe s'est immobilisé. Noter que l'accessoire de coupe tourne par inertie juste après avoir relâché la gâchette de commande des gaz et alors que le moteur tourne au ralenti.
- Retirer régulièrement l'herbe et les broussailles emmêlées sur l'accessoire de coupe (en cas de blocage, nettoyer la zone concernée sur l'accessoire de coupe ou la protection de l'accessoire de coupe, en prenant soin d'arrêter le moteur).
- Sur une machine équipée d'un embrayage, vérifier régulièrement que l'accessoire de coupe arrête de tourner lorsque le moteur tourne au ralenti.
- Vérifier que les poignées sont propres et sèches, exemptes d'huile et d'autres salissures.
- La débroussailleuse est défaillante lorsque le moteur tourne au ralenti une fois que la gâchette de commande des gaz a été relâchée, mais l'accessoire de coupe continue à tourner, et le réglage de ralenti doit être effectué. Contacter son concessionnaire réparateur.
- Maintenir tous les écrous, boulons et vis serrés pour s'assurer que la débroussailleuse est en bon état de marche. Un entretien régulier est une aide indispensable pour la sécurité de l'utilisateur et pour maintenir un niveau élevé de performances.
- Ne pas utiliser la débroussailleuse si elle présente des pièces usées ou endommagées. Les pièces doivent être remplacées ou réparées. Remplacer les pièces usées ou endommagées par des pièces Honda d'origine ou des pièces équivalentes. Des pièces de qualité moindre risquent d'endommager la machine et de porter atteinte à la sécurité de l'utilisateur.
- Régler la position de retenue de la débroussailleuse. Veiller à régler cette position avec le moteur coupé. Régler le double harnais de sorte que le mécanisme de détachement rapide soit positionné sur la hanche de l'utilisateur. Accrocher la débroussailleuse au double harnais. Régler la longueur du double harnais de sorte que l'accessoire de coupe soit parallèle au sol et reste toujours à la même hauteur par rapport au sol. Noter qu'il peut être difficile de maintenir la débroussailleuse dans la position correcte si l'on est très grand. Ne pas utiliser la débroussailleuse si l'accessoire de coupe est proche des pieds de l'utilisateur lorsque la débroussailleuse est maintenue dans la position appropriée.
- Vérifier l'équilibre de la débroussailleuse entre ses parties avant et arrière pour une meilleure maîtrise et une fatigue réduite. Maintenir la débroussailleuse dans la position appropriée décrite dans le présent manuel. Relâcher progressivement la pression sur la poignée. Ne pas lâcher la poignée, mais la tenir en exerçant une faible pression des mains et vérifier que la garde au sol de l'accessoire de coupe ne change pas de manière significative. Un réglage de l'équilibrage est nécessaire si l'accessoire de coupe remonte au-dessus des genoux de l'utilisateur. Ne pas utiliser la débroussailleuse sans le réglage de l'équilibrage.
- Tenir fermement la débroussailleuse à deux mains pendant son fonctionnement pour garder la maîtrise de la machine en permanence.
- Blessures causées par les vibrations et le froid : Il est possible de ressentir des picotements ou une sensation de brûlure dans les doigts, et ces derniers peuvent perdre leur couleur et leur sensibilité en fonction de la constitution de l'utilisateur. Ces symptômes sont probablement dus aux vibrations et/ou à l'exposition au froid. Le point de déclenchement de ces symptômes n'a pas encore été identifié, mais il convient de respecter les instructions suivantes.
  - Limiter le temps d'utilisation de la débroussailleuse dans une journée. Une journée de travail devrait se composer d'un temps d'utilisation de la débroussailleuse et d'un temps de travail sans la machine portative afin de pouvoir limiter le temps d'exposition des mains aux vibrations de la machine.
  - Conserver sa chaleur corporelle, en particulier au niveau des mains, poignets et bras.
  - Faire régulièrement des pauses et des exercices pour les bras pour maintenir une bonne circulation du sang. Ne pas fumer pendant le travail.
  - En cas d'inconfort, d'une rougeur et d'un gonflement des doigts suivi d'un blanchiment et d'une perte de sensation, consulter rapidement un médecin.
 Si la débroussailleuse vibre de manière excessive, la faire inspecter par son concessionnaire réparateur.
- Blessures causées par une utilisation répétée : La répétition d'une opération pendant un certain temps peut causer des blessures. Respecter les instructions suivantes afin de réduire les causes de blessures.
  - \* Éviter de répéter l'utilisation du/des poignet(s) dans une position pliée, étirée ou de torsion.
  - \* Faire régulièrement des pauses afin de réduire le plus possible l'effet de la répétition d'une opération. Prendre son temps lors d'une opération répétée. Ne pas se précipiter lors de l'utilisation de la débroussailleuse.
  - \* En cas d'élançement ou d'engourdissement, au niveau des doigts, mains, poignets et/ou bras, consulter son médecin.

## SECURITE DES ENFANTS

- Garder les enfants à l'intérieur et sous surveillance dès qu'une débroussailleuse électrique est utilisée à proximité. Les jeunes enfants se déplacent rapidement et sont particulièrement attirés par la débroussailleuse et l'activité de taillage.
- Ne jamais supposer que les enfants resteront au dernier endroit où ils ont été vus. Être vigilant et mettre la débroussailleuse hors tension si des enfants entrent dans la zone de travail.
- Les enfants ne devraient jamais être autorisés à utiliser la débroussailleuse, même sous la surveillance d'un adulte.

## RISQUE DE PROJECTION D'OBJETS

Les objets heurtés par l'accessoire de coupe en rotation peuvent être projetés par la débroussailleuse avec une grande force et peuvent entraîner des blessures graves.

- Inspecter soigneusement la zone où la débroussailleuse doit être utilisée et retirer tous les objets (pierres, branches, fils, os, etc.) qui risquent d'être projetés par l'accessoire de coupe en rotation.

## RISQUE D'INCENDIE ET DE BRULURE

L'essence est très inflammable et les vapeurs d'essence peuvent exploser. Faire extrêmement attention lors de la manipulation d'essence. Tenir l'essence hors de portée des enfants.

- Entreposer l'essence dans des récipients spécialement conçus à cet effet.
- Faire le plein en extérieur uniquement, et ne pas fumer lors du plein ou de la manipulation du carburant.
- Ajouter le carburant avant de démarrer le moteur. Ne jamais retirer le bouchon du réservoir de carburant ou ne pas ajouter d'essence lorsque le moteur tourne ou lorsque le moteur est chaud.
- Si de l'essence se répand, ne pas essayer de démarrer le moteur. Éloigner la débroussailleuse de la zone où l'essence s'est répandue et éviter de créer une source d'inflammation jusqu'à la dissipation des vapeurs d'essence.
- Serrer fermement tous les réservoirs de carburant et les bouchons des récipients.  
Lors du démarrage du moteur après avoir refait le plein, veiller à le démarrer à au moins 3 m de l'endroit où le plein a été fait.
- Ne jamais remiser la débroussailleuse avec de l'essence dans le réservoir à l'intérieur d'un bâtiment où des vapeurs peuvent atteindre une flamme nue, une étincelle ou une source de température élevée.
- Laisser le moteur refroidir avant de remiser la machine dans un endroit clos.
- Afin de réduire le risque d'incendie, maintenir la débroussailleuse, en particulier le moteur, le silencieux, ainsi que la zone de stockage de l'essence, exempts d'herbe, de feuilles ou d'un excès de graisse.  
Ne pas laisser les conteneurs de matière végétale dans ou à proximité d'un bâtiment.
- Si le réservoir de carburant doit être vidé, cela doit être effectué en extérieur, le moteur étant froid.

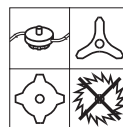
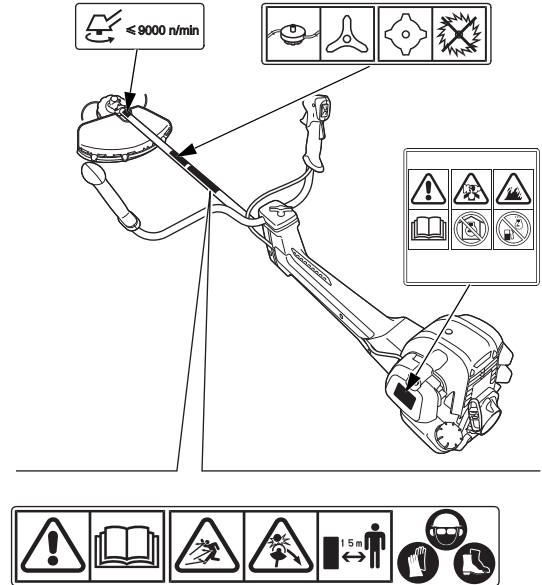
## RISQUE D'INTOXICATION PAR LE MONOXYDE DE CARBONE

Les gaz d'échappement contiennent du monoxyde de carbone, un gaz incolore et inodore. L'inspiration des gaz d'échappement peut entraîner une perte de connaissance et un décès.

- Si le moteur tourne dans un endroit confiné ou même partiellement clos, l'air inhalé peut contenir une quantité dangereuse de gaz d'échappement. Pour empêcher l'accumulation de gaz d'échappement, bien ventiler la pièce.
- Remplacer un silencieux défectueux.
- Ne pas faire tourner le moteur dans un espace confiné où des fumées de monoxyde de carbone dangereuses peuvent s'accumuler.

## EMPLACEMENTS DES ETIQUETTES DE SECURITE

La débroussailleuse doit être utilisée avec précaution. Par conséquent, des autocollants ont été placés sur la machine pour rappeler en images les principales précautions à prendre pendant l'utilisation. Leur signification est indiquée dans le présent chapitre. Ces autocollants sont considérés comme faisant partie de la débroussailleuse. Si l'un d'entre eux devait se détacher ou devenir illisible, contacter le concessionnaire réparateur pour faire remplacer l'autocollant.



- Les débroussailleuses Honda sont conçues pour fournir un service sûr et fiable si elles sont utilisées conformément aux instructions. Lire attentivement le manuel de l'utilisateur et respecter tous les avertissements et instructions de sécurité.  
Un non-respect de cette consigne peut entraîner un risque de blessure ou d'endommagement de la débroussailleuse.

- Tenir toutes les personnes et tous les animaux domestiques à distance de la zone d'utilisation de la débroussailleuse.
- Une machine équipée d'un organe de coupe en acier peut être projetée violemment sur le côté lorsque cet organe de coupe entre en contact avec des objets durs. Pour empêcher les contacts accidentels avec l'organe de coupe en rotation ou les objets projetés par l'organe de coupe en rotation, tenir les personnes et animaux domestiques à au moins 15 m de la débroussailleuse lorsqu'elle est utilisée.

- Porter des protections oculaires et auditives.
- Se protéger la tête s'il existe un risque de chute d'objets.
- Porter des chaussures antidérapantes et des gants.

- La débroussailleuse doit être utilisée avec un fil de nylon, un accessoire de coupe à disque en métal ou une lame de scie circulaire. Si la débroussailleuse est utilisée avec une lame de scie circulaire, changer la protection de l'accessoire de coupe standard avec la protection en option réservée à la lame de scie circulaire. Ne pas utiliser une lame de scie circulaire avec la protection d'accessoire de coupe standard.



- Lors du remplacement de l'organe de coupe en acier, utiliser une lame conçue pour une vitesse de rotation maximale supérieure ou égale à 9 000 n/min.



- L'essence est hautement inflammable et explosive. Avant de faire le plein de carburant, arrêter le moteur et le laisser refroidir.

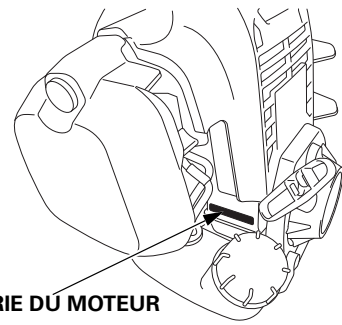


- Le moteur émet du monoxyde de carbone toxique. Ne pas le faire tourner dans un endroit clos.

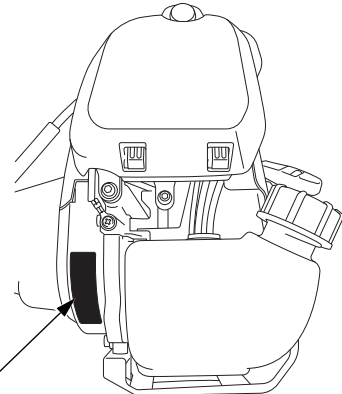


- Lire le manuel de l'utilisateur avant l'utilisation.

## IDENTIFICATION DE LA MACHINE

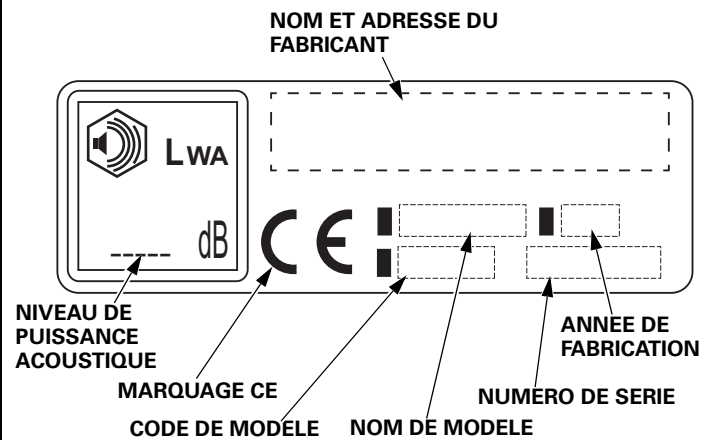


NUMERO DE SERIE DU MOTEUR



PLAQUE SIGNALÉTIQUE

### PLAQUE SIGNALÉTIQUE



Noter le numéro de série du châssis, le numéro de série du moteur et la date d'achat dans les espaces ci-dessous. Ces informations seront nécessaires pour la commande de pièces et les demandes de renseignements techniques ou de garantie.

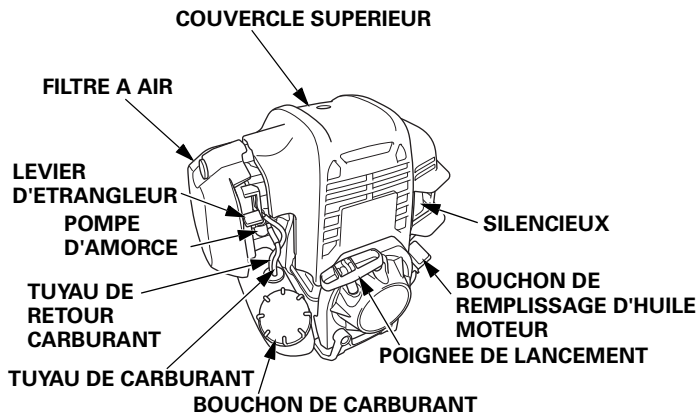
Numéro de série du châssis

Numéro de série du moteur

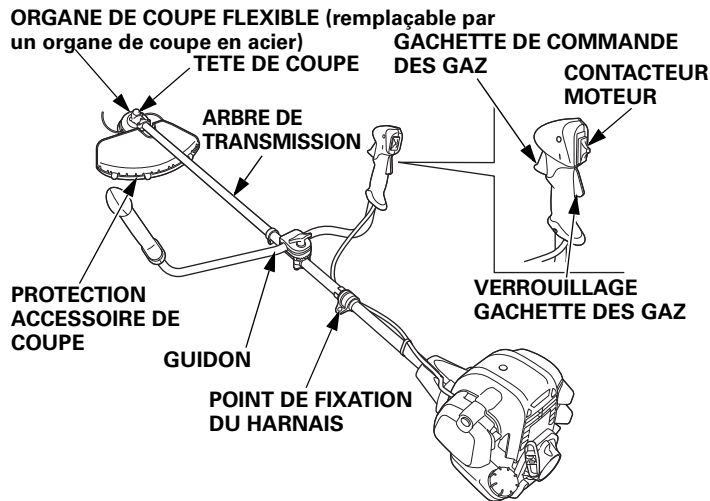
Date d'achat

# IDENTIFICATION DES COMPOSANTS

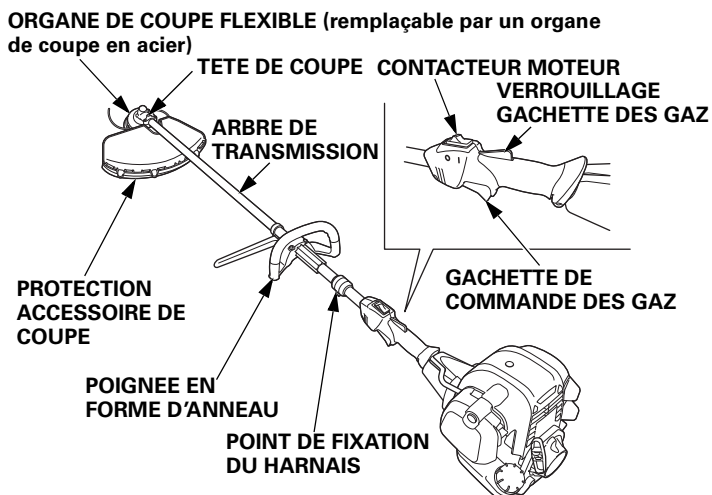
## MOTEUR (TOUS TYPES) :



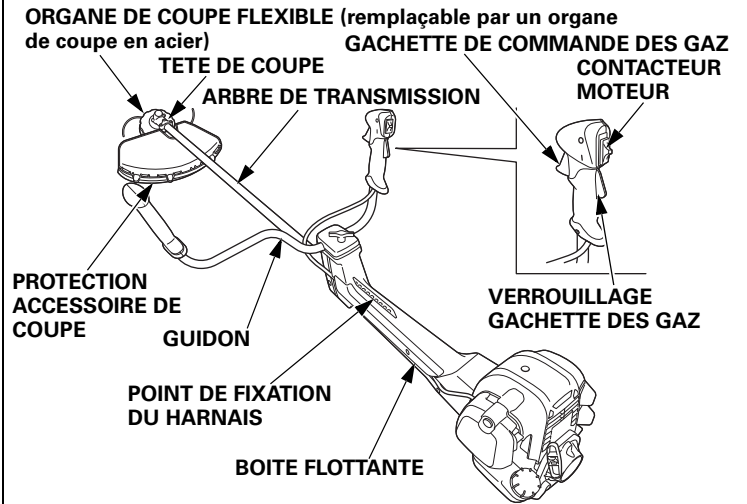
## CHASSIS (TYPE UEET) :



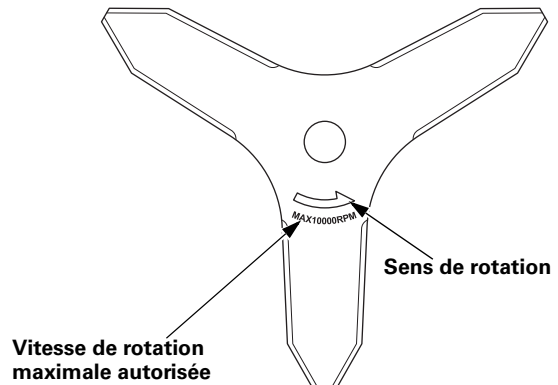
## CHASSIS (TYPE LEET) :



## CHASSIS (TYPE XEET) :

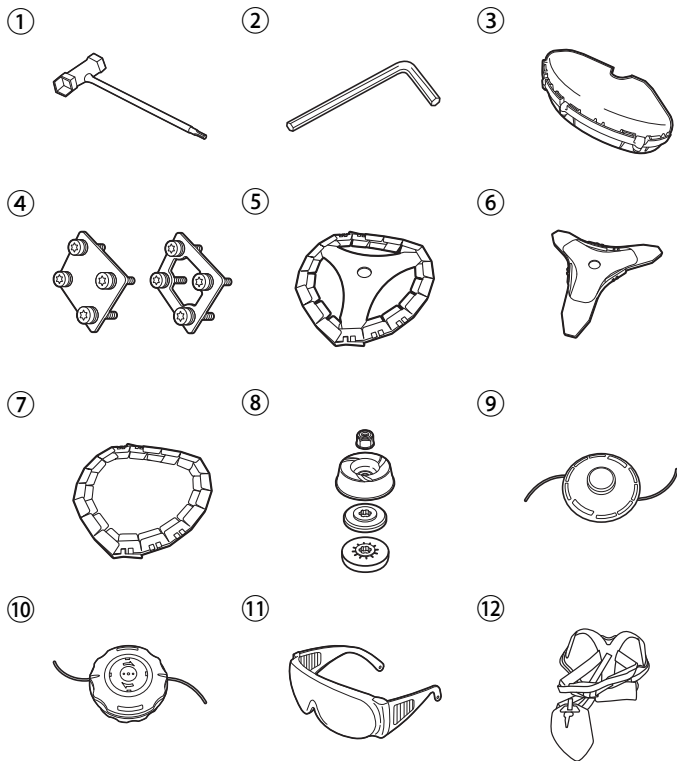


## SIGNIFICATION DU TAMPON SUR L'ORGANE DE COUPE EN ACIER (3 DENTS) :



## PIECES DETACHEES

Se reporter à ce qui suit et vérifier les pièces emballées.



- ① Clé de 16 x 19 mm
- ② Clé pour vis à six pans creux de 4 mm
- ③ Protection de l'accessoire de coupe
- ④ Entretoise et quatre boulons (gauche : types UEET et LEET, droite : type XEET)
- ⑤ Organe de coupe en acier (3 dents) et housse (types UEET et LEET)
- ⑥ Organe de coupe en acier (3 dents) et housse (type XEET)
- ⑦ Housse de l'organe de coupe en acier en option (type XEET)
- ⑧ Entretoise A, entretoise B, stabilisateur et écrou d'organe de coupe (depuis le bas)
- ⑨ Organe de coupe flexible (types UEET et LEET)
- ⑩ Organe de coupe flexible (type XEET)
- ⑪ Lunettes de sécurité
- ⑫ Double harnais

## INSTRUCTIONS DE MONTAGE

Un montage correct est indispensable pour la sécurité de l'utilisateur et l'efficacité de la débroussailleuse. Une erreur ou un oubli de la part de la personne qui assemble et répare une débroussailleuse peut entraîner un fonctionnement incorrect, un endommagement de la machine ou des blessures pour l'utilisateur.

### ▲ AVERTISSEMENT

**Un montage incorrect peut entraîner un manque de sécurité et, par conséquent, des blessures graves voire mortelles. Bien respecter les procédures et les précautions à prendre indiquées dans les instructions de montage.**

### AJOUT D'HUILE MOTEUR

La débroussailleuse est expédiée SANS HUILE dans le moteur. Ajouter de l'huile du type recommandé (page 31) pour atteindre la limite supérieure. Pour l'ajout de l'huile moteur, se reporter à la page 31.

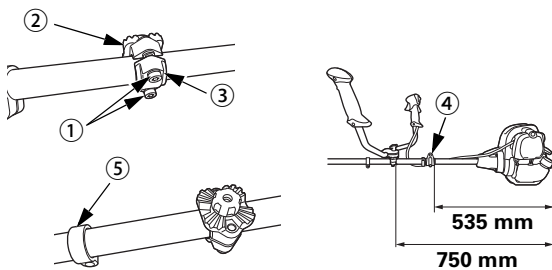
### REMARQUE :

Le moteur risque d'être gravement endommagé s'il tourne avec une quantité d'huile insuffisante. Ajouter de l'huile moteur jusqu'à la limite supérieure avant d'utiliser la débroussailleuse. Ne pas utiliser d'huile non détergente ni d'huile moteur 2 temps. Ces huiles pourraient réduire la durée de service du moteur.

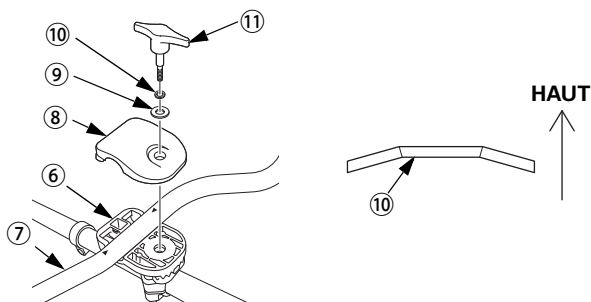
### MONTAGE DE LA POIGNEE

#### Type UEET

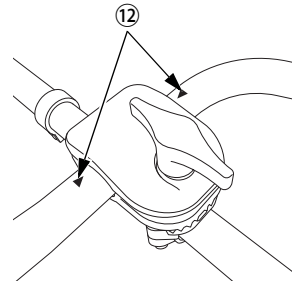
- Desserrer deux vis ①. Faire glisser le support de poignée B ② et le support de poignée C ③ en position standard (illustrés ci-dessous) et serrer les deux vis ①. Couple de serrage : 9,8 N·m (1,0 kgf·m). Vérifier la position du point de fixation du harnais ④. Les positions standard sont indiquées sur l'illustration ci-dessous. La position du support de poignée peut être réglée par la suite si nécessaire. Pour une question de sécurité, le guidon et le support de poignée ne doivent pas être installés au-delà de la bague de sécurité ⑤.



- Placer le support de poignée D ⑥ sur le support de poignée B ②. Placer ensuite le guidon ⑦ sur le support de poignée D ⑤. Monter le support de poignée A ⑧, la rondelle plate ⑨ et la rondelle conique ⑩. Serrer légèrement la vis de réglage de la poignée ⑪. Veiller au sens de la rondelle conique. Le côté convexe est tourné vers le haut.



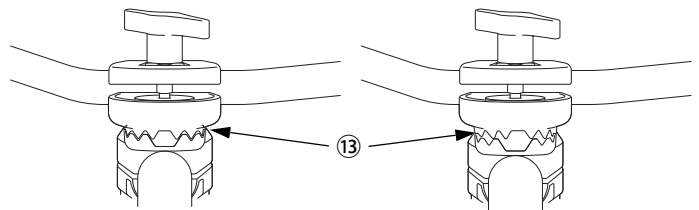
- Régler la position latérale et l'angle du guidon. Les deux flèches ⑫ présentes sur le guidon doivent être visibles. Pour régler l'angle du guidon, se reporter à la page 19.



- Adapter correctement les dentelures ⑬ et serrer fermement la vis de réglage ⑩.

**CORRECT (les dentelures s'adaptent correctement)**

**INCORRECT (les dentelures ne s'adaptent pas correctement)**

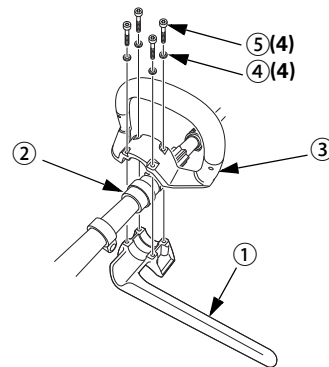


### REMARQUE :

Lors du serrage de la vis de réglage, vérifier que les dentelures s'adaptent correctement. Si la vis de réglage est serrée alors que les dentelures ne s'adaptent pas correctement, la vis de réglage risque de casser.

#### Type LEET

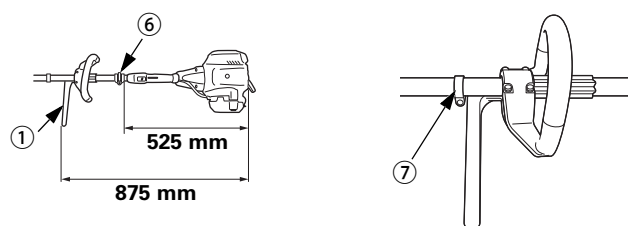
- Placer la protection ① sur le dessous du caoutchouc ② de l'arbre de transmission. Placer la poignée en forme d'anneau ③ sur le dessus du caoutchouc ②. Poser quatre rondelles ④ et quatre boulons ⑤. Serrer légèrement les quatre boulons ⑤. Couple de serrage : 1,8 N·m (0,2 kgf·m)



- Vérifier la position de la poignée en forme d'anneau ① et du point de fixation du harnais ⑥. Les positions standard sont indiquées sur l'illustration ci-dessous. Régler leurs positions si nécessaire.

La position de la poignée en forme d'anneau peut être réglée par la suite si nécessaire.

Pour une question de sécurité, la poignée en forme d'anneau ne doit pas être installée au-delà de la bague de sécurité ⑦.

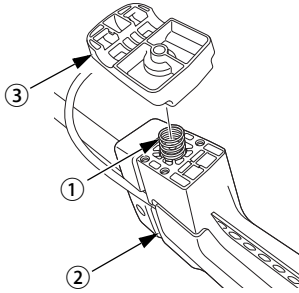


- Serrer fermement les quatre boulons ⑤.



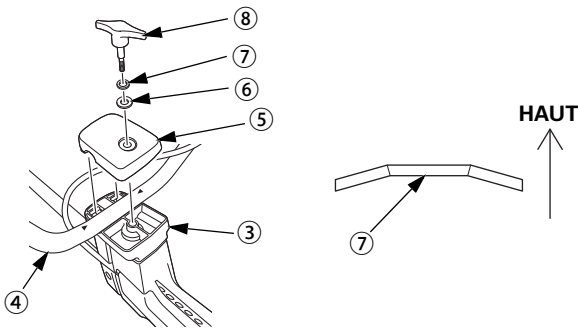
## Type XEET

1. Poser le ressort ① sur l'orifice de la boîte flottante ②. Placer ensuite le support de poignée B ③ sur la boîte flottante ②.

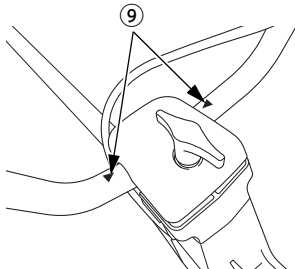


2. Placer le guidon ④ sur le support de poignée B ③. Monter le support de poignée A ⑤, la rondelle plate ⑥ et la rondelle conique ⑦. Serrer légèrement la vis de réglage de la poignée ⑧.

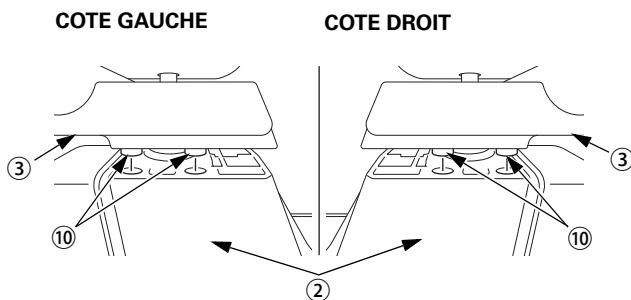
Veiller au sens de la rondelle conique. Le côté convexe est tourné vers le haut.



3. Régler la position latérale et l'angle du guidon. Les deux flèches ⑨ présentes sur le guidon doivent être visibles. Pour régler l'angle du guidon, se reporter à la page 19.



4. Appuyer légèrement sur le support de poignée A ⑤ et serrer fermement la vis de réglage de poignée ⑧. Vérifier que les quatre pattes ⑩ du support de poignée B ③ s'engagent dans les orifices de la boîte flottante ②.



## MONTAGE DE L'ACCESSOIRE DE COUPE

### ▲ AVERTISSEMENT

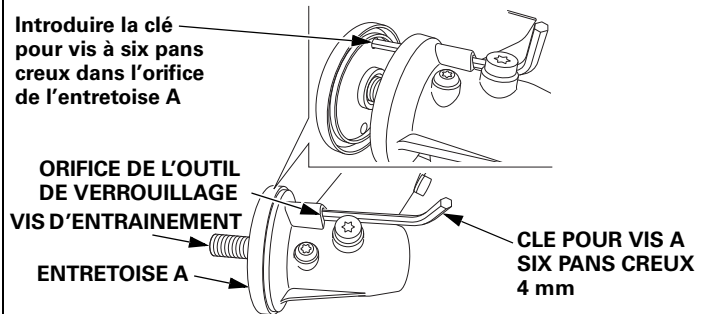
- Afin d'éviter des blessures graves, vérifier que le contacteur moteur est en position **ARRET** pour empêcher un démarrage accidentel.
- Pour une question de sécurité, inspecter l'accessoire de coupe pour vérifier qu'il n'est ni usé ni endommagé et vérifier son serrage avant de démarrer le moteur. L'utilisation de la débroussailleuse avec un accessoire de coupe usé, fissuré ou endommagé peut entraîner des blessures ou endommager la débroussailleuse. Un accessoire de coupe usé, fissuré ou endommagé peut se casser et des pièces de l'accessoire endommagé peuvent heurter l'utilisateur ou les personnes autour, en entraînant un décès ou des blessures graves.

### ATTENTION :

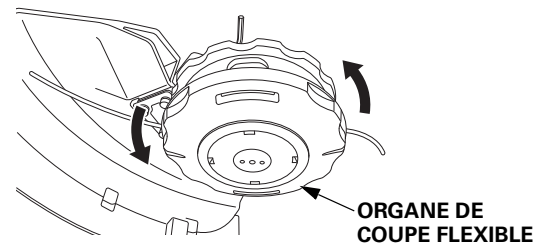
- Porter des gants résistants pour se protéger les mains lors des réparations autour de l'accessoire de coupe.

### Organe de coupe flexible

1. Vérifier que l'entretoise A est montée sur la tête de coupe.
2. Insérer la clé pour vis à six pans creux de 4 mm dans l'orifice de l'outil de verrouillage pour empêcher la vis d'entraînement de tourner.



3. Tourner l'organe de coupe flexible dans le sens inverse des aiguilles d'une montre pour le monter sur la tête de coupe.



## Organe de coupe en acier

### ATTENTION :

- Pour éviter des blessures, monter la housse sur l'organe de coupe en acier avant d'effectuer des réparations autour de cet organe.

Pour monter la housse de l'organe de coupe, se reporter à la page 14.

Caractéristiques techniques de l'organe de coupe en acier (3 dents) :

Types UEET, LEET : Diamètre de 255 mm, lames 3 dents, vitesse de rotation maximale autorisée inférieure à

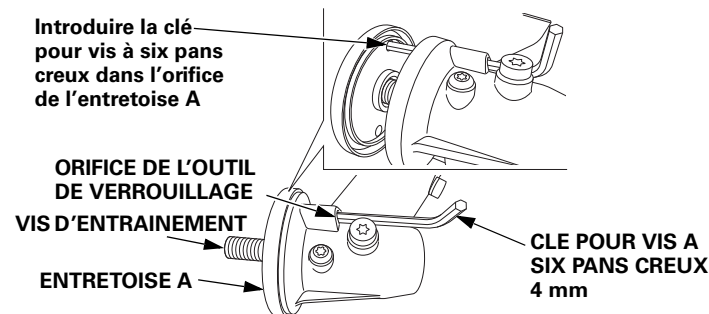
10 000  $\text{min}^{-1}$  (tr/min)

Type XEET : Diamètre de 303 mm, lames 3 dents, vitesse de rotation maximale autorisée inférieure à

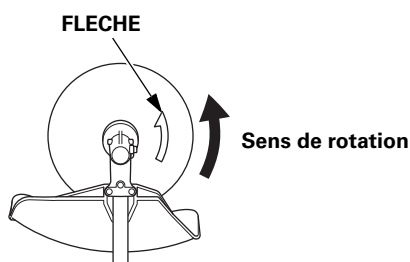
10 000  $\text{min}^{-1}$  (tr/min)

Pour plus d'informations sur l'organe de coupe en acier en option, contacter son concessionnaire réparateur.

1. Insérer la clé pour vis à six pans creux de 4 mm dans l'orifice de l'outil de verrouillage pour empêcher la vis d'entraînement de tourner.

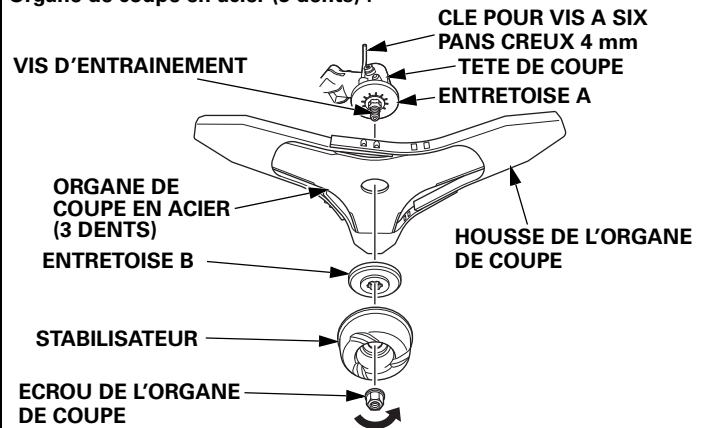


2. Monter l'organe de coupe en acier. S'assurer que la saillie de l'entretoise A s'aligne sur l'orifice de l'organe de coupe. Vérifier la flèche sur l'organe de coupe en acier et monter ce dernier dans le bon sens.

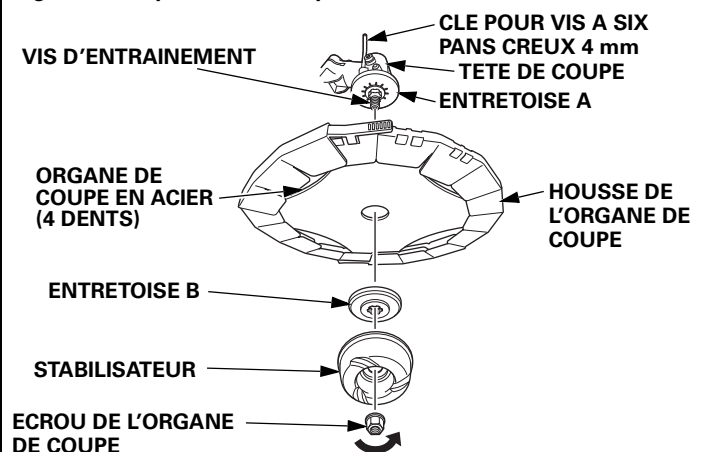


3. Monter l'entretoise B, le stabilisateur et l'écrou de l'organe de coupe. Serrer l'écrou de l'organe de coupe au couple spécifié. La vis d'entraînement et l'écrou de l'organe de coupe présentent des filetages à gauche. Tourner dans le sens inverse des aiguilles d'une montre pour les monter. Couple de serrage de l'écrou de l'organe de coupe :  
 UEET, LEET : 19,2 N·m (1,9 kgf·m)  
 XEET : 29,0 N·m (3,0 kgf·m)

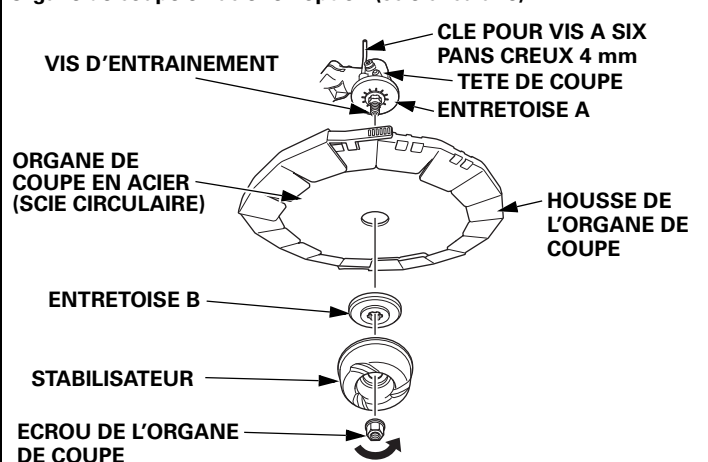
## Organe de coupe en acier (3 dents) :



## Organe de coupe en acier en option (4 dents) :



## Organe de coupe en acier en option (scie circulaire) :



### ⚠ AVERTISSEMENT

- Utiliser l'organe de coupe en acier (scie circulaire) uniquement avec les types UEET et XEET. Ne jamais l'utiliser avec le type LEET. Le type LEET n'est pas conçu pour être utilisé avec l'organe de coupe en acier (scie circulaire), cela pourrait entraîner un accident.
  - Ne jamais monter l'organe de coupe en acier (scie circulaire) dans le sens inverse. Lors du montage, vérifier la flèche sur l'organe de coupe en acier (scie circulaire) et monter ce dernier dans le bon sens.
  - L'organe de coupe en acier (scie circulaire) doit être monté avec la protection de l'organe de coupe en option (voir page 11).
4. Après avoir serré l'écrou de l'organe de coupe, tourner l'organe de coupe en acier à la main et vérifier qu'il est bien monté au centre. Vérifier que l'organe de coupe en acier n'est pas excentré et qu'il ne gêne pas une pièce à proximité.

## MONTAGE DE LA PROTECTION DE L'ACCESSOIRE DE COUPE

### ▲ AVERTISSEMENT

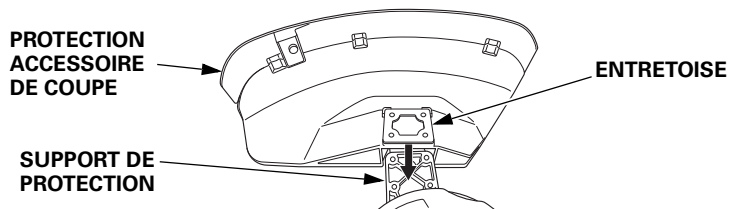
- Monter la protection de l'accessoire de coupe dans la position appropriée afin de se protéger contre les débris projetés par un accessoire de coupe en rotation.
- Ne jamais utiliser la débroussailleuse sans la protection de l'accessoire de coupe. Des pierres ou d'autres corps étrangers projetés à l'extérieur par l'accessoire de coupe en rotation ou un contact avec l'accessoire de coupe en rotation peuvent entraîner des blessures ou des dommages matériels.

### ATTENTION :

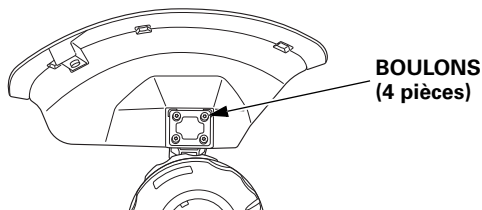
- Porter des gants résistants pour se protéger les mains lors des réparations autour de l'accessoire de coupe.

### Protection de l'accessoire de coupe standard pour organe de coupe en acier (3 et 4 dents) et organe de coupe flexible :

1. Poser l'entretoise sur la protection d'accessoire de coupe. Ensuite, fixer les deux sur le support de protection présent sur la tête de coupe.



2. Monter quatre boulons. Bien les serrer à l'aide du côté clé Torx de la clé de 16 x 19 mm.  
Couple de serrage du boulon : 5,5 N·m (0,6 kgf·m)



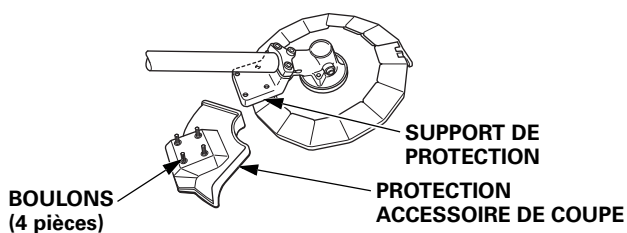
La pièce inférieure de la protection de l'accessoire de coupe doit être détachée lors de son utilisation avec l'organe de coupe en acier (3 et 4 dents). Pour la détacher, consulter la page 16.

### Protection d'accessoire de coupe en option pour organe de coupe en acier (scie circulaire) :

Monter la protection d'accessoire de coupe sur le support de protection présent sur la tête de coupe. Poser l'entretoise et quatre boulons. Les serrer à l'aide du côté clé Torx de la clé de 16 x 19 mm.

Couple de serrage du boulon : 5,5 N·m (0,6 kgf·m)

Une entretoise et des boulons standard peuvent être utilisés.



## COMMANDES ET COMPOSANTS

### CONTACTEUR MOTEUR

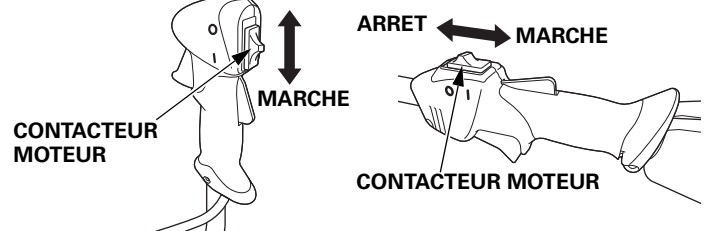
Le contacteur moteur active et désactive l'allumage.

Le contacteur moteur doit être en position MARCHÉ pour faire tourner le moteur.

La rotation du contacteur moteur vers la position ARRÊT arrête le moteur.

Types UEET, XEET

ARRÊT Type LEET

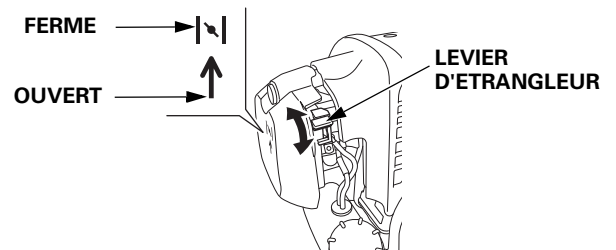


### LEVIER D'ETRANGLEUR

Le levier d'étrangleur ouvre et ferme le volet d'air dans le carburateur.

La position FERMÉ enrichit le mélange air-carburant pour démarrer un moteur froid.

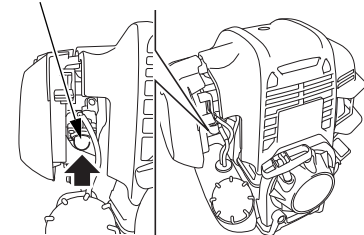
La position OUVERTE crée le mélange air-carburant correct pour un fonctionnement après démarrage et pour redémarrer un moteur chaud.



### POMPE D'AMORCE

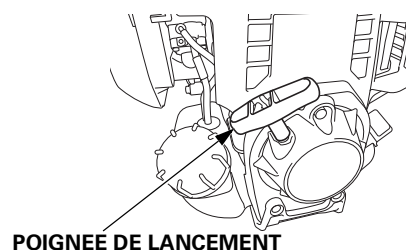
Des pressions sur la pompe d'amorçage entraînent l'essence depuis le réservoir de carburant jusqu'au carburateur. Cette procédure est nécessaire pour démarrer le moteur.

POMPE D'AMORCE



### POIGNEE DE LANCEMENT

Tirer sur la poignée de lancement pour actionner le lanceur qui fait démarrer le moteur.



## GACHETTE DE COMMANDE DES GAZ

La gâchette de commande des gaz contrôle le régime moteur. Enfoncer la gâchette de commande des gaz illustrée ci-dessous et la relâcher pour faire tourner le moteur plus rapidement ou plus lentement.

Le dispositif de verrouillage de la gâchette des gaz permet d'actionner la gâchette. La gâchette de commande des gaz ne peut pas être enfoncée si le dispositif de verrouillage de la gâchette des gaz n'a pas d'abord été enfoncé.

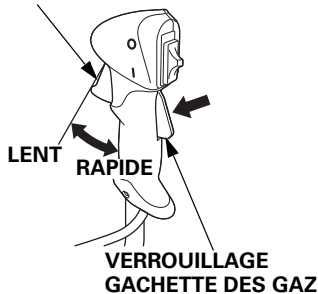
En enfonçant progressivement la gâchette de commande des gaz, le régime moteur augmente et l'accessoire de coupe se met à fonctionner.

Enfoncer davantage la gâchette pour augmenter le régime moteur et la vitesse de rotation de l'organe de coupe.

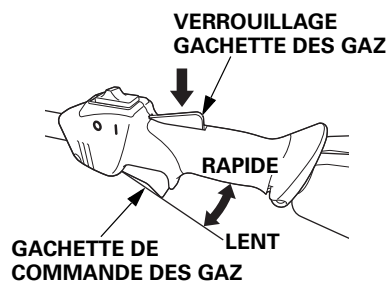
En relâchant la gâchette de commande des gaz, le régime moteur diminue et l'accessoire de coupe continue à tourner par inertie pendant un moment, puis s'arrête.

### Types UEET, XEET

#### GACHETTE DE COMMANDE DES GAZ



### Type LEET



## POINT DE FIXATION DU HARNAIS ET CROCHET

Lors de l'utilisation de la débroussailleuse, porter le double harnais (voir page 20) et monter le crochet sur le point de fixation du harnais.

### ⚠ AVERTISSEMENT

- **Veiller à enfiler le double harnais avant d'utiliser la débroussailleuse.**  
Dans le cas contraire, l'instabilité de la débroussailleuse pourrait entraîner des blessures.
- **Pour la sécurité et le confort de l'utilisateur, il est important de régler les sangles du harnais afin qu'elles soient confortables et que la machine soit ainsi correctement équilibrée en position de travail.**

### Types UEET, LEET :

Le point de fixation du harnais comporte un trou pour le crochet. Pour détacher la débroussailleuse du crochet, appuyer sur le levier du crochet et détacher du crochet le point de fixation du harnais.

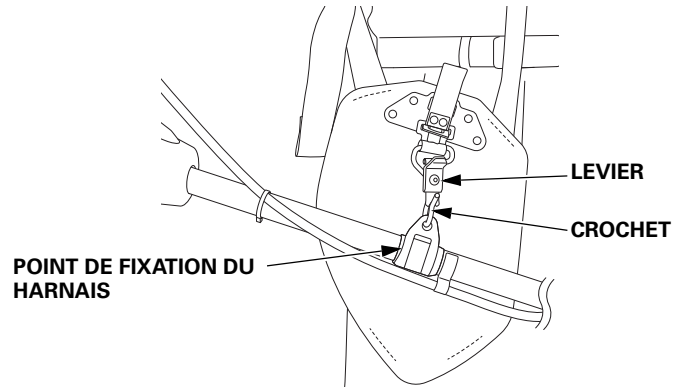
### Type XEET :

Le point de fixation du harnais comporte neuf trous pour le crochet. Il est possible de choisir le trou de point de fixation du harnais pour fixer le crochet jusqu'à obtenir l'équilibre approprié.

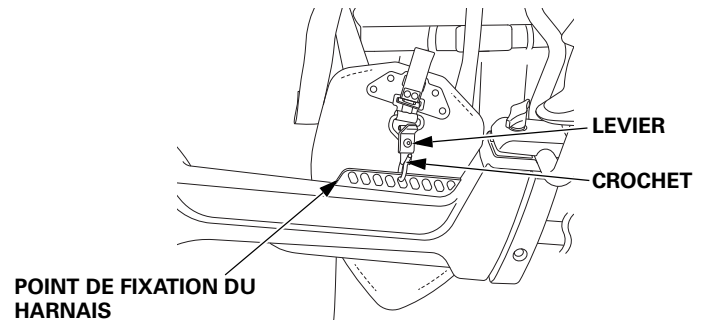
Pour détacher la débroussailleuse du crochet, appuyer sur le levier du crochet et détacher du crochet le point de fixation du harnais.

Pour équilibrer la débroussailleuse lorsqu'elle est sur le crochet, consulter la page 19.

### Types UEET, LEET



### Type XEET



## MECANISME DE DETACHEMENT RAPIDE

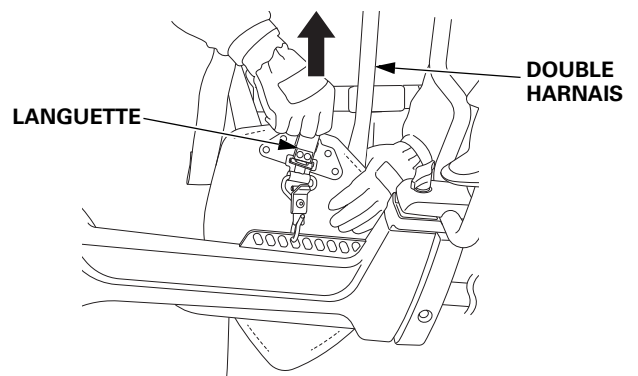
### REMARQUE :

- Lorsque le mécanisme de détachement rapide est utilisé pour détacher la débroussailleuse, cette dernière risque de tomber. Lors de la vérification du fonctionnement du mécanisme de détachement rapide, ne pas attacher la débroussailleuse au crochet sur le rembourrage de la taille afin d'empêcher la chute et l'endommagement de la débroussailleuse.

La languette du mécanisme de détachement rapide est prévue pour détacher la débroussailleuse de l'utilisateur en cas d'urgence.

Tirer sur la languette du mécanisme de détachement rapide et éloigner la débroussailleuse du corps pour la détacher du double harnais.

Après avoir détaché la débroussailleuse à l'aide du mécanisme de détachement rapide, le crochet reste sur le point de fixation du harnais. Fixer le crochet au rembourrage de la taille après avoir utilisé le verrou de détachement rapide.

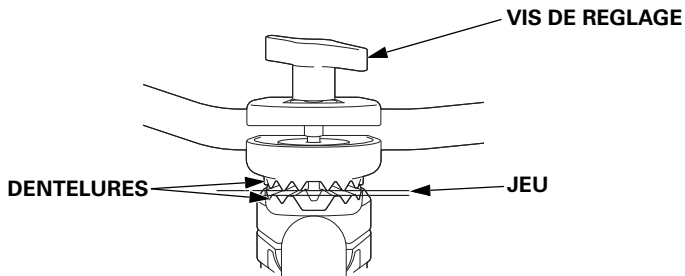


## PLIAGE DU GUIDON (TYPES UEET, XEET UNIQUEMENT)

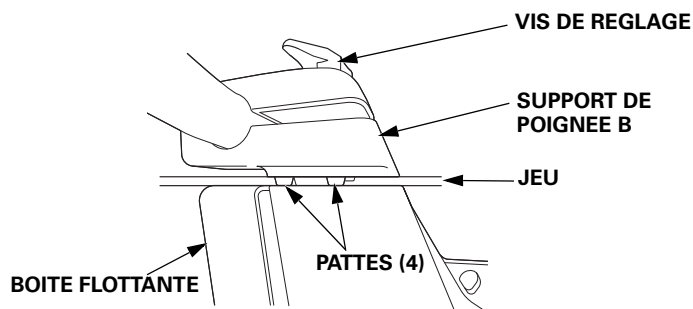
Le guidon peut être replié pour le remisage et le transport.

1. Desserrer la vis de réglage de 6 à 7 tours.
2. (Type UEET) Vérifier qu'il y a suffisamment de jeu entre les dentelures.  
(Type XEET) Vérifier que les pattes du support de poignée B ne s'engagent pas dans les orifices de la boîte flottante.

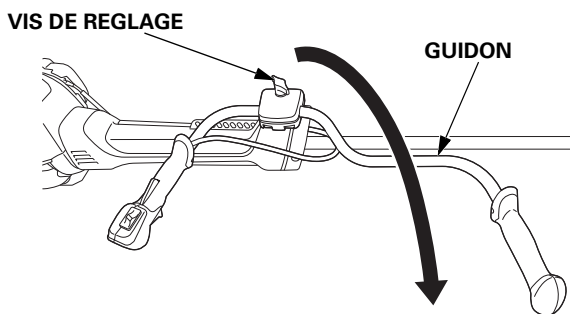
### Type UEET



### Type XEET



3. Faire tourner le support de poignée à 90 degrés et replier la partie gauche ou droite du guidon. Veiller à ne pas plier le guidon à plus de 90 degrés.

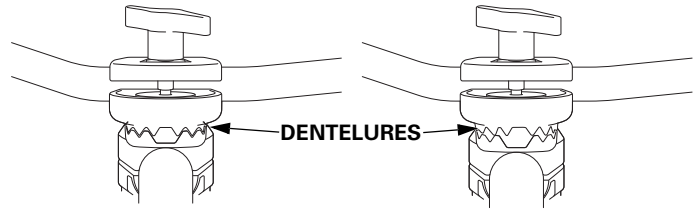


4. (Type UEET) Adapter correctement les dentelures et serrer la vis de réglage.  
(Type XEET) Serrer la vis de réglage. Noter que le jeu entre le support de poignée B et la boîte flottante reste identique même après le serrage de la vis de réglage.

### Type UEET uniquement :

**CORRECT** (les dentelures s'adaptent correctement)

**INCORRECT** (les dentelures ne s'adaptent pas correctement)

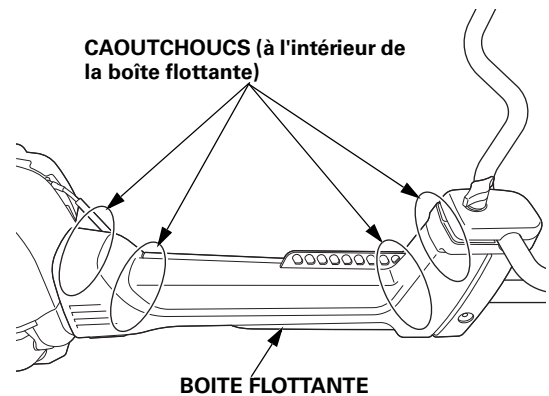


### REMARQUE :

Lors du serrage de la vis de réglage, vérifier que les dentelures s'adaptent correctement. Si la vis de réglage est serrée alors que les dentelures ne s'adaptent pas correctement, la vis de réglage risque de casser.

## SYSTEME ANTIVIBRATIONS (TYPE XEET UNIQUEMENT)

Le système anti-vibrations diminue les vibrations aux poignées grâce à la structure de la boîte flottante. La boîte flottante est soutenue par des caoutchoucs montés au niveau de la section de support de poignée et du carter d'embrayage. En cas de vibrations excessives au niveau des poignées, contacter le concessionnaire réparateur.





## CONTROLES AVANT UTILISATION

Pour un taillage sûr et efficace, toujours effectuer les contrôles avant utilisation.

### ⚠ AVERTISSEMENT

- Toutes les pièces de la machine sont une source potentielle de danger si la machine est utilisée dans des conditions anormales ou si l'entretien n'est pas réalisé correctement.
- Effectuer les contrôles avant utilisation sur une surface plane et dure avec l'accessoire de coupe à l'arrêt et vérifier que le contacteur moteur est en position ARRET.

Avant chaque utilisation, s'assurer qu'il n'y a pas de traces de fuites d'huile ou d'essence autour ou sous le moteur.

### NETTOYAGE DE LA PROTECTION DE L'ACCESSOIRE DE COUPE

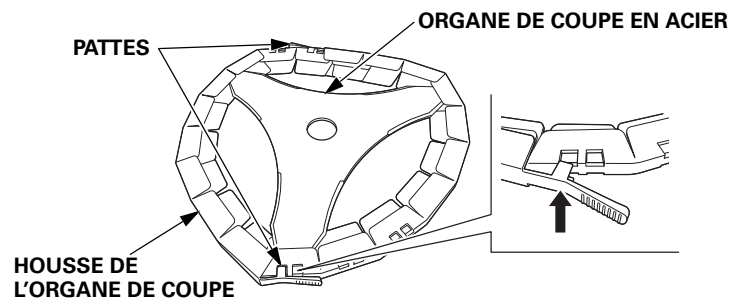
Avant chaque utilisation, éliminer les débris, l'herbe ou tout autre corps étranger de la protection de l'accessoire de coupe.

### MONTAGE DE LA HOUSSE DE L'ORGANE DE COUPE

**Organe de coupe en acier (3 dents) pour types UEET et LEET**  
**Organe de coupe en acier (4 dents et scie circulaire) pour types UEET, LEET et XEET**

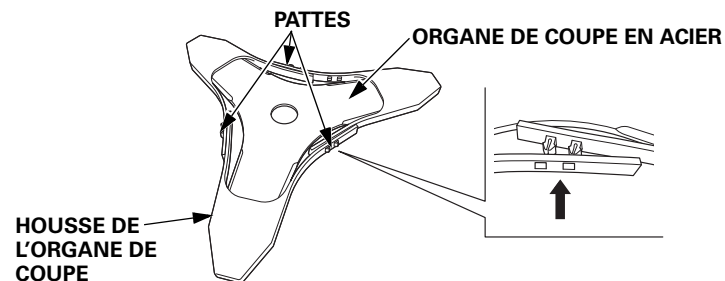
Détacher la languette, enrouler la housse de l'organe de coupe sur les extrémités de l'organe de coupe en acier en les recouvrant complètement.

Bien attacher les pattes.



**Organe de coupe en acier (3 dents) pour types XEET**

Monter les housses de l'organe de coupe sur les extrémités de l'organe de coupe en acier (3 dents). Vérifier que les extrémités de l'organe de coupe en acier (3 dents) sont complètement recouvertes des housses d'organe de coupe. Bien attacher les pattes.



## CONTROLLER L'HUILE MOTEUR

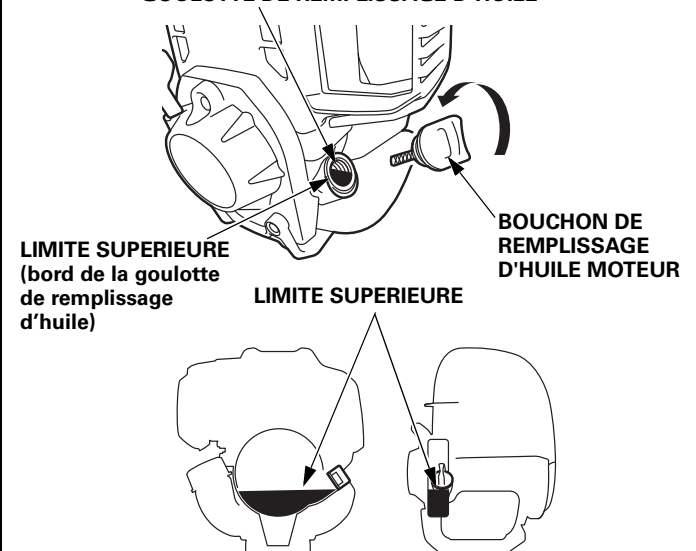
REMARQUE :

- L'utilisation du moteur avec un niveau d'huile trop bas endommage gravement le moteur.
- L'utilisation d'une huile non détergente ou d'une huile moteur deux-temps peut raccourcir la durée de service du moteur.

1. Poser la débroussailleuse sur une surface plane et retirer le bouchon de remplissage d'huile.
2. Vérifier le niveau d'huile : il doit atteindre le bord de la goulotte de remplissage d'huile ; vérifier également que l'huile n'est ni contaminée ni détériorée.
3. Si le niveau d'huile est bas, remplir avec l'huile du type recommandé (voir page 31) jusqu'à la limite supérieure (bord de la goulotte de remplissage d'huile). Si l'huile est contaminée ou détériorée, la remplacer (voir page 31).
4. Monter le bouchon de remplissage d'huile.

Toutes les 10 heures, vérifier le niveau d'huile moteur et faire le plein jusqu'au sommet de la goulotte de remplissage d'huile si le moteur tourne pendant plus de 10 heures en continu.

### GOULOTTE DE REMPLISSAGE D'HUILE



Se laver les mains à l'eau et au savon après avoir manipulé de l'huile usagée.



## CONTROLLER LE NIVEAU DE CARBURANT

Utiliser de l'essence sans plomb E10, d'un indice d'octane recherche d'au moins 91 (un indice d'octane à la pompe d'au moins 86). Caractéristique(s) de carburant nécessaire(s) pour maintenir les performances du système de contrôle des émissions : carburant E10 référencé dans la réglementation UE.

Ne jamais utiliser de l'essence viciée ou contaminée ou un mélange d'huile/essence.

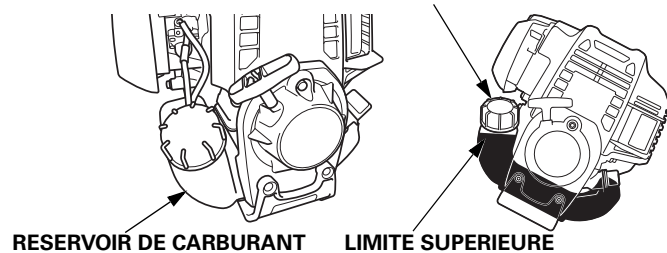
Eviter la pénétration de saleté ou d'eau dans le réservoir de carburant.

### ▲ AVERTISSEMENT

- **L'essence est hautement inflammable et explosive dans certaines conditions.**
- **Faire le plein dans un endroit bien aéré avec le moteur arrêté. Ne pas fumer ou ne pas autoriser de flammes ou étincelles dans la zone où le plein du moteur est fait ou de stockage de l'essence.**
- **Ne pas trop remplir le réservoir de carburant (la goulotte de remplissage ne doit pas présenter de carburant). Après le plein, vérifier que le bouchon du réservoir est correctement fermé et bien serré.**
- **Veiller à ne pas renverser de carburant au moment de remplir le réservoir. L'essence répandue ou les vapeurs d'essence peuvent s'enflammer. Si du carburant est répandu, vérifier que la zone est sèche avant de démarrer le moteur.**
- **Éviter un contact répété ou prolongé avec la peau, ainsi que l'inhalation de vapeurs.**
- **TENIR HORS DE PORTEE DES ENFANTS.**

1. Vérifier le niveau de carburant visuellement depuis l'extérieur du réservoir de carburant tout en maintenant la goulotte de remplissage verticalement.

### BOUCHON DU RESERVOIR DE CARBURANT



2. Si le niveau de carburant est bas, faire le plein du réservoir jusqu'au niveau spécifié. Retirer progressivement le bouchon du réservoir de carburant pour libérer l'air sous pression présent dans le réservoir. Le carburant présent dans le réservoir risque de jaillir si le bouchon est retiré trop rapidement. Pour le remplissage du réservoir, poser le moteur sur une surface plane. Utiliser un entonnoir et un flexible pour refaire le plein. Essuyer toute saleté présente sur le bouchon du réservoir de carburant afin de l'empêcher d'entrer dans le réservoir. Capacité du réservoir de carburant : 630 cm<sup>3</sup> (0,63 L)

3. Une fois le plein réalisé, serrer fermement le bouchon du réservoir de carburant.

### REMARQUE :

L'essence se détériore très rapidement en fonction de facteurs tels que l'exposition à la lumière, la température et le temps. Dans le pire des cas, l'essence peut être contaminée en 30 jours. L'utilisation d'essence contaminée peut gravement endommager le moteur (carburateur obstrué, soupape collée). Ces dommages dus à de l'essence détériorée ne sont pas couverts par la garantie.

Pour éviter cela, suivre scrupuleusement ces recommandations :

- Utiliser uniquement de l'essence spécifiée.
- Utiliser de l'essence neuve et propre.
- Pour ralentir la détérioration, conserver l'essence dans un récipient pour carburant spécifié.
- Si un remisage longue durée (plus de 30 jours) est prévu, vidanger le réservoir de carburant et le carburateur (voir page 33).

Les carburants de substitution ne sont pas recommandés ; ils peuvent être dangereux pour les composants du circuit de carburant.

## Essence contenant de l'alcool

Si de l'essence contenant de l'alcool (essence-alcool) est utilisée, veiller à ce que son indice d'octane soit au moins aussi élevé que l'indice recommandé par Honda. Il existe deux types d'essence-alcool : l'un contenant de l'éthanol, et l'autre contenant du méthanol. Ne pas utiliser d'essence contenant plus de 10 % d'éthanol (E10).

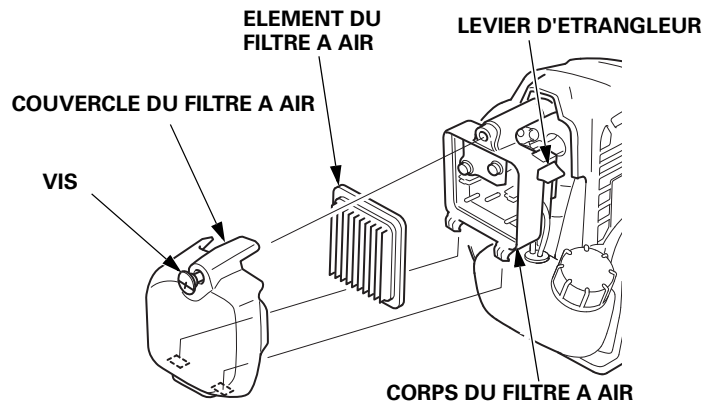
Ne pas utiliser d'essence contenant du méthanol (alcool de bois ou alcool méthylique) qui ne contienne pas également des cosolvants et des inhibiteurs de corrosion pour méthanol.

### REMARQUE :

- L'endommagement du circuit de carburant ou les problèmes de performances du moteur résultant de l'utilisation d'essence contenant plus d'alcool que recommandé ne sont pas couverts par la garantie.
- Avant d'acheter de l'essence dans une nouvelle station-service, commencer par déterminer si l'essence contient de l'alcool. Le cas échéant, rechercher le type et le pourcentage d'alcool utilisés. En cas de symptômes de fonctionnement non souhaités lors de l'utilisation d'une essence spécifique, changer pour de l'essence qui contient une quantité d'alcool inférieure à celle recommandée.

## CONTROLE DU FILTRE A AIR

1. Placer le levier des gaz sur la position FERMEE (vers le haut).
2. Desserrer la vis et déposer le couvercle de filtre à air du corps du filtre à air.
3. Vérifier que l'élément du filtre à air n'est ni sale ni obstrué. Nettoyer l'élément de filtre à air s'il est sale (voir page 31). Remplacer l'élément de filtre à air s'il est excessivement sale.
4. Reposer l'élément de filtre à air.
5. Reposer le couvercle du filtre à air et serrer fermement la vis.



### REMARQUE :

Ne jamais faire tourner le moteur sans le filtre à air ; il en résulterait une usure rapide du moteur.

## VERIFIER LE FONCTIONNEMENT DE LA GACHETTE DE COMMANDE DES GAZ

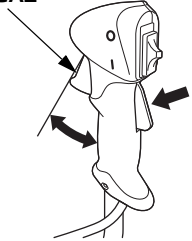
Vérifier que la gâchette de commande des gaz fonctionne correctement et revient toujours en position de ralenti.

Si elle ne fonctionne pas correctement, vérifier et régler le jeu du câble des gaz. Contacter son concessionnaire réparateur pour la faire réparer. Si elle ne revient pas en position de ralenti, ne pas utiliser la débroussailleuse. Contacter son concessionnaire réparateur.

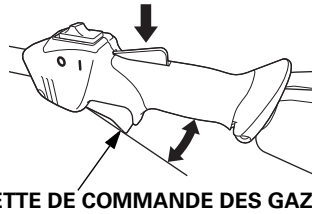
Types UEET, XEET

Type LEET

GACHETTE DE COMMANDE DES GAZ



GACHETTE DE COMMANDE DES GAZ



## CONTROLE DE LA PROTECTION DE L'ACCESSOIRE DE COUPE/ DETACHEMENT ET FIXATION DE LA PIECE INFÉRIEURE DE LA PROTECTION DE L'ACCESSOIRE DE COUPE

### ▲ AVERTISSEMENT

- Ne jamais utiliser la débroussailleuse sans la protection de l'accessoire de coupe. Des pierres ou d'autres corps étrangers projetés à l'extérieur par l'accessoire de coupe en rotation ou un contact avec l'accessoire de coupe en rotation peuvent entraîner des blessures ou des dommages matériels.

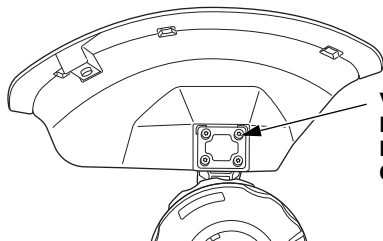
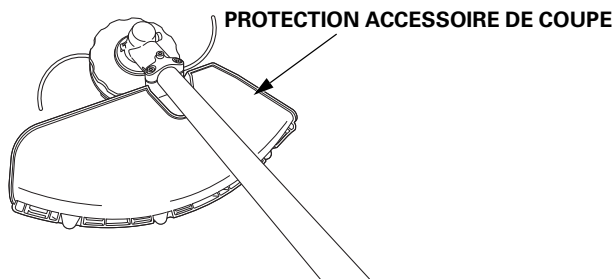
### ATTENTION :

- Porter des gants résistants pour se protéger les mains lors des réparations autour de l'accessoire de coupe.
- Pour éviter des blessures, monter la housse sur l'organe de coupe en acier avant d'effectuer des réparations autour de cet organe.

Pour monter la housse de l'organe de coupe, se reporter à la page 14.

### Contrôle de la protection de l'accessoire de coupe

1. Arrêter le moteur en plaçant le contacteur moteur sur la position ARRÊT.
2. Inspecter la protection de l'accessoire de coupe pour vérifier qu'elle est bien montée et en bon état. Si la protection de l'accessoire de coupe est endommagée, la remplacer avant d'utiliser la débroussailleuse.
3. Vérifier que les vis de montage de la protection de l'accessoire de coupe ne sont pas desserrées. Serrer fermement les boulons si nécessaire.
4. Maintenir la position et le sens de la protection de l'accessoire de coupe comme indiqué ci-dessous.



VIS DE FIXATION DE LA PROTECTION DE L'ACCESSOIRE DE COUPE (4 pièces)

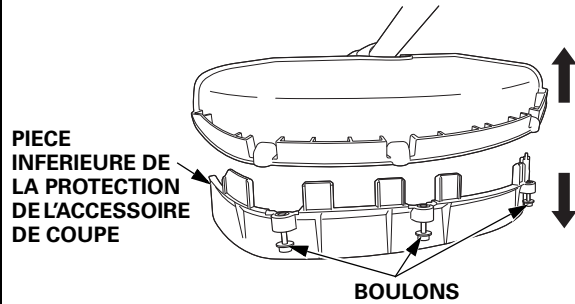
## Détachement et fixation de la pièce inférieure de la protection de l'accessoire de coupe

Lors de l'utilisation de la débroussailleuse avec l'organe de coupe en acier (3 ou 4 dents), détacher la pièce inférieure de la protection de l'accessoire de coupe.

Lorsque l'organe de coupe flexible est utilisé, fixer la pièce inférieure de la protection de l'accessoire de coupe.

Détachement (si l'organe de coupe en acier (3 ou 4 dents) est utilisé) :

Retirer trois boulons, puis détacher la pièce inférieure de la protection de l'accessoire de coupe.



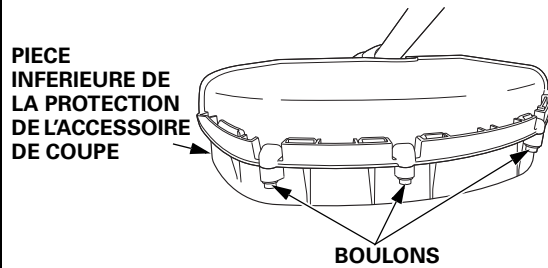
PIECE INFÉRIEURE DE LA PROTECTION DE L'ACCESSOIRE DE COUPE

BOULONS

Fixation (si l'organe de coupe flexible est utilisé) :

Monter les deux pièces de la protection de l'accessoire de coupe et les serrer.

Monter trois vis et les serrer fermement.



PIECE INFÉRIEURE DE LA PROTECTION DE L'ACCESSOIRE DE COUPE

BOULONS

## CONTROLE DE LA TETE DE COUPE

### ⚠ AVERTISSEMENT

- Afin d'éviter des blessures graves, vérifier que le contacteur moteur est en position **ARRET** pour empêcher un démarrage accidentel.
- Pour une question de sécurité, vérifier que la tête de coupe n'est ni usée ni endommagée avant de démarrer le moteur.

### ATTENTION :

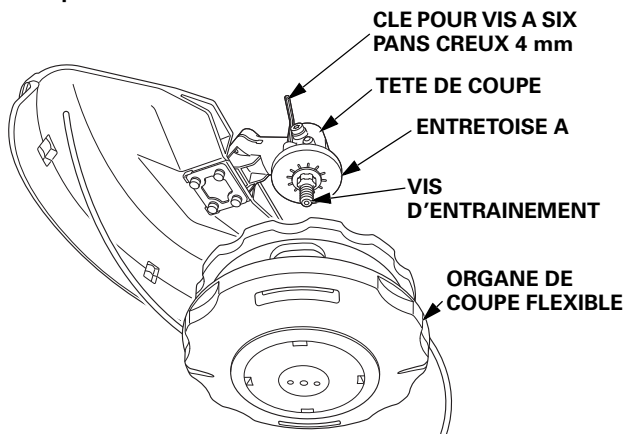
- Porter des gants résistants pour se protéger les mains lors des réparations autour de l'accessoire de coupe.
- Pour éviter des blessures, monter la housse sur l'organe de coupe en acier avant d'effectuer des réparations autour de cet organe.

Pour monter la housse de l'organe de coupe, se reporter à la page 14.

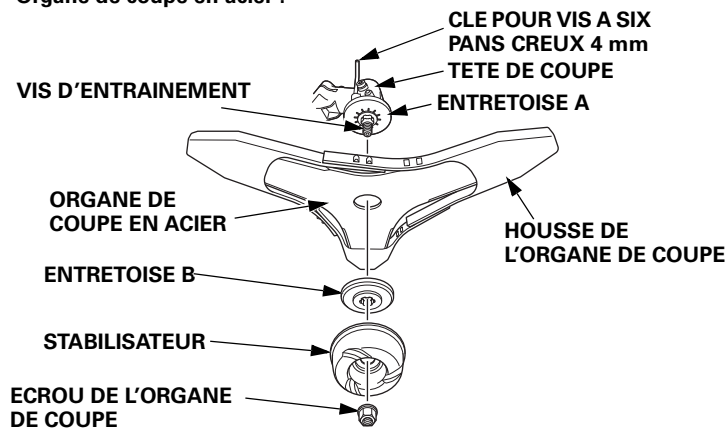
### Inspection de la tête de coupe

1. Arrêter le moteur en plaçant le contacteur moteur sur la position **ARRET**.
2. Vérifier que de l'herbe ou un fil n'est pas coincé(e) entre l'entretoise A et l'accessoire de coupe. La/le retirer si nécessaire.
3. Après avoir retiré l'herbe ou le fil, vérifier l'absence de matière contaminée telle que de la boue ou de la saleté entre la tête de coupe et l'entretoise A. Si nécessaire, déposer l'accessoire de coupe (voir page 28) et nettoyer la tête de coupe. Lors du nettoyage, réaliser simultanément l'opération « Inspection de la vis d'entraînement ».

#### Organe de coupe flexible :



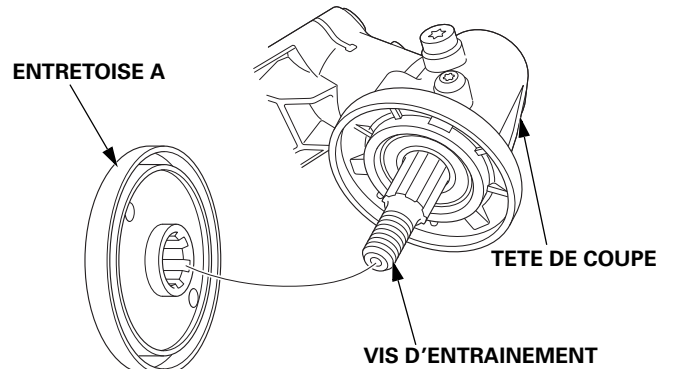
#### Organe de coupe en acier :



## Nettoyage de la tête de coupe

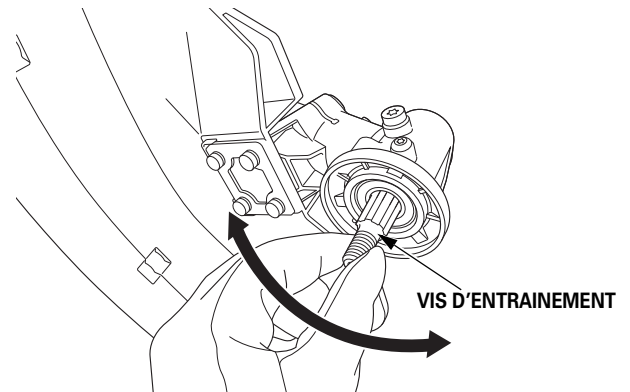
Si des matières contaminées telles que de l'herbe, du fil, de la boue ou de la saleté se trouvent entre la tête de coupe et l'entretoise A, les éliminer à l'aide de la procédure suivante.

1. Arrêter le moteur en plaçant le contacteur moteur sur la position **ARRET**.
2. Déposer l'accessoire de coupe. (voir page 28)
3. Déposer l'entretoise A.
4. Éliminer l'herbe, le fil, la boue ou la saleté autour de l'entretoise A et de la vis d'entraînement.



### Inspection de la vis d'entraînement

Tenir la vis d'entraînement, la bouger vers la gauche et la droite, et vérifier qu'elle est bien serrée. Si elle est desserrée, la tête de coupe doit être remplacée. Contacter son concessionnaire réparateur pour la faire remplacer.



Après les opérations « Nettoyage de la tête de coupe » et « Inspection de la vis d'entraînement », veiller à monter l'entretoise A sur la tête de coupe avant de fixer l'accessoire de coupe. Pour fixer l'accessoire de coupe, consulter la page 28.

## CONTROLE DE L'ACCESSOIRE DE COUPE

### ▲ AVERTISSEMENT

- Afin d'éviter des blessures graves, vérifier que le contacteur moteur est en position **ARRET** pour empêcher un démarrage accidentel.
- Pour une question de sécurité, inspecter l'accessoire de coupe pour vérifier qu'il n'est ni usé ni endommagé et vérifier son serrage avant de démarrer le moteur. L'utilisation de la débroussailleuse avec un accessoire de coupe usé, fissuré ou endommagé peut entraîner des blessures ou endommager la débroussailleuse. Un accessoire de coupe usé, fissuré ou endommagé peut se casser et des pièces de l'accessoire endommagé peuvent heurter l'utilisateur ou les personnes autour, en entraînant un décès ou des blessures graves.

### ATTENTION :

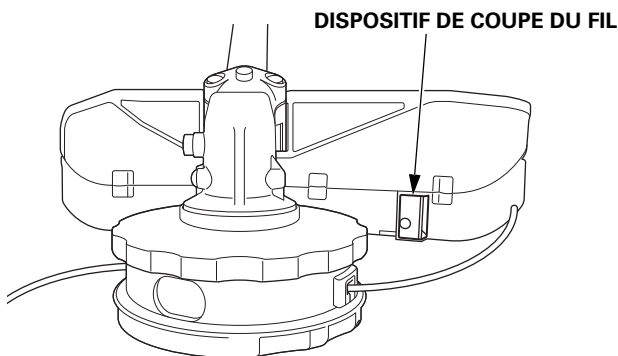
- Porter des gants résistants pour se protéger les mains lors des réparations autour de l'accessoire de coupe.
- Pour éviter des blessures, monter la housse sur l'organe de coupe en acier avant d'effectuer des réparations autour de cet organe.

Pour monter la housse de l'organe de coupe, se reporter à la page 14.

Pour choisir l'accessoire de coupe, consulter la section « Applications de l'accessoire de coupe » à la page 24.

### Organe de coupe flexible

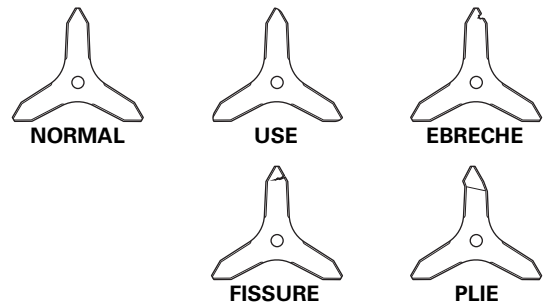
1. Arrêter le moteur en plaçant le contacteur moteur sur la position **ARRET**.
2. Vérifier que l'organe de coupe flexible n'est pas desserré. Serrer fermement l'organe de coupe flexible s'il est desserré (voir page 28).
3. Vérifier que le fil de nylon n'est pas déchiqueté. Si le fil de nylon est endommagé, faire avancer le fil selon les procédures suivantes. Pour faire avancer le fil de nylon, consulter la page 25. Avant de faire avancer le fil de nylon, vérifier que le dispositif de coupe du fil est exempt de poussière, saleté ou autre corps étranger. Nettoyer le dispositif de coupe du fil si nécessaire.



### Organe de coupe en acier

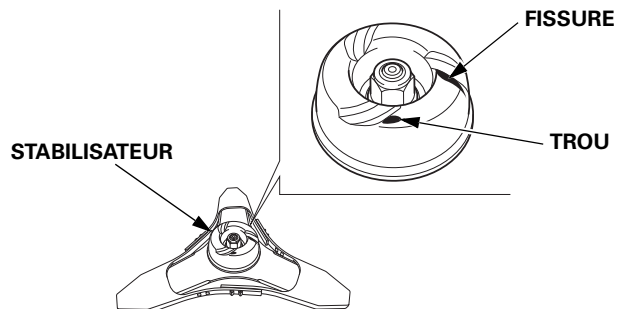
1. Arrêter le moteur en plaçant le contacteur moteur sur la position **ARRET**.
2. Vérifier que l'écrou de l'organe de coupe est serré. Serrer l'écrou s'il est desserré (voir page 10).
3. Vérifier que l'organe de coupe en acier n'est pas usé, plié, fissuré, ni endommagé. Si l'organe de coupe en acier est usé, fissuré, écaillé ou endommagé d'une autre manière, remplacer l'organe de coupe en acier endommagé par un organe de coupe en acier de rechange Honda d'origine neuf ou un organe équivalent.

Un organe de coupe en acier émoussé peut être affûté. Si cette opération est trop difficile, contacter son concessionnaire réparateur.



### INSPECTION DU STABILISATEUR (POUR ORGANE DE COUPE EN ACIER)

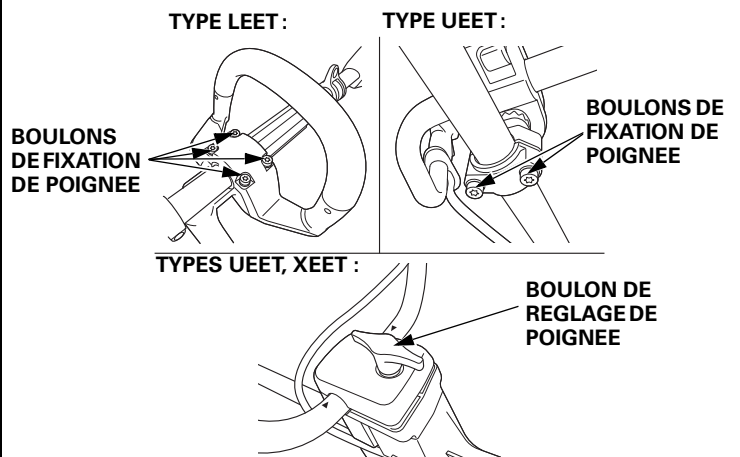
Vérifier l'usure du stabilisateur. S'il présente des fissures ou des trous, le remplacer. Contacter son concessionnaire réparateur pour le faire remplacer.



### VERIFICATION DE TOUTES LES VIS ET TOUS LES ECROUS

Vérifier que la vis et l'écrou ne sont pas desserrés avant de travailler. S'ils sont desserrés, les serrer.

1. Vérifier que chaque vis et chaque écrou sur le moteur et le châssis ne sont pas desserrés. Les serrer fermement si nécessaire.
2. Vérifier que les boulons ou vis de fixation de la poignée ne sont pas desserrés et les serrer fermement si nécessaire.



## EQUILIBRAGE DE LA DEBROUSSAILLEUSE

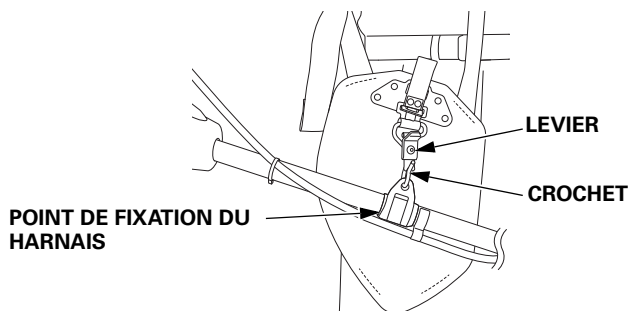
### ▲ AVERTISSEMENT

- Veiller à enfiler le double harnais avant d'utiliser la débroussailleuse. Dans le cas contraire, l'instabilité de la débroussailleuse pourrait entraîner des blessures.
- Pour la sécurité et le confort de l'utilisateur, il est important de régler les sangles du harnais afin qu'elles soient confortables et que la machine soit ainsi correctement équilibrée en position de travail.

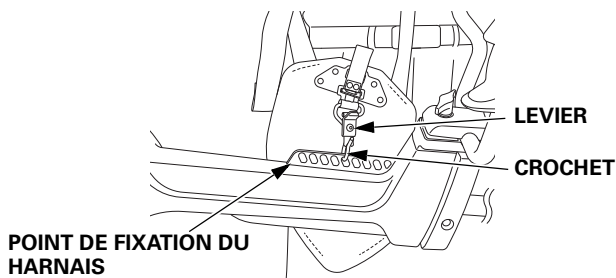
### Vérifier le double harnais

1. Enfiler le double harnais. (voir page 20)
2. Monter le crochet sur le point de fixation du harnais. (voir page 12)
3. Vérifier que le crochet est bien fixé au point de fixation du harnais.
4. Vérifier que l'équilibre et la position de la débroussailleuse sont comme suit.

### Types UEET, LEET

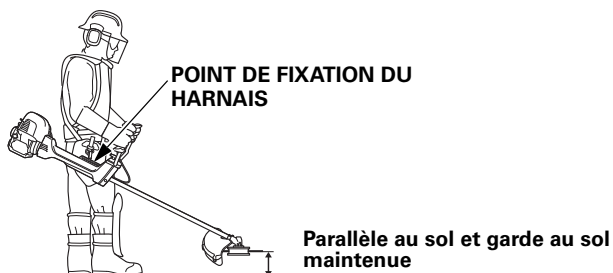


### Type XEET



### Équilibre approprié

1. Régler le double harnais de sorte que le point de fixation du harnais soit positionné sur la hanche droite de l'utilisateur (voir page 20).
2. Tenir la débroussailleuse de sorte que l'accessoire de coupe soit parallèle au sol en tenant la poignée à deux mains.
3. Régler la longueur du double harnais (page 19), la position de la poignée ou l'angle du guidon (page 19) de sorte que l'accessoire de coupe est parallèle au sol et reste au-dessus du sol en maintenant la garde au sol.



### ▲ AVERTISSEMENT

Ne pas utiliser la débroussailleuse si l'accessoire de coupe en rotation peut atteindre les pieds. Il existe un risque de blessures aux pieds si l'accessoire de coupe en rotation les touche.

## REGLAGE DE LA POIGNEE

### Réglage de la position du support de poignée (types UEET, LEET uniquement)

#### Type UEET

Le support de poignée peut être bougé vers l'avant ou l'arrière. Pour régler la position du support de poignée, consulter la page 8.

Pour une question de sécurité, le guidon et le support de poignée ne doivent pas être installés au-delà de la bague de sécurité.

#### Type LEET

La position de la poignée en forme d'anneau peut être déplacée vers l'avant ou l'arrière. Se reporter à la page 8.

Pour une question de sécurité, la poignée en forme d'anneau ne doit pas être installée au-delà de la bague de sécurité.

### Réglage de l'angle du guidon (types UEET, XEET uniquement)

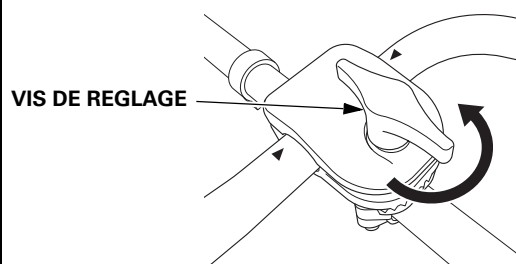
L'angle standard est de 90 degrés.

Le guidon peut être incliné vers l'avant ou l'arrière à 30 degrés de son angle standard.



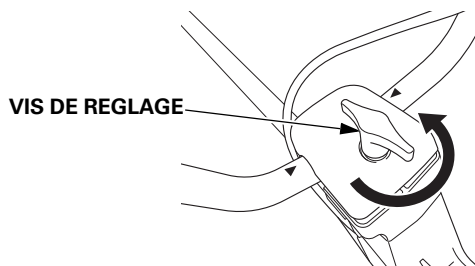
#### Type UEET

Pour régler l'angle du guidon, desserrer légèrement la vis de réglage et incliner le guidon. Serrer fermement la vis de réglage.



#### Type XEET

Pour régler l'angle du guidon, desserrer légèrement la vis de réglage et incliner le guidon. Appuyer légèrement sur le support de poignée A et serrer fermement la vis de réglage.



Après avoir réglé la position de la poignée ou l'angle du guidon, vérifier que le câble des gaz n'est pas trop tendu.

Vérifier également que la gâchette de commande des gaz fonctionne librement.



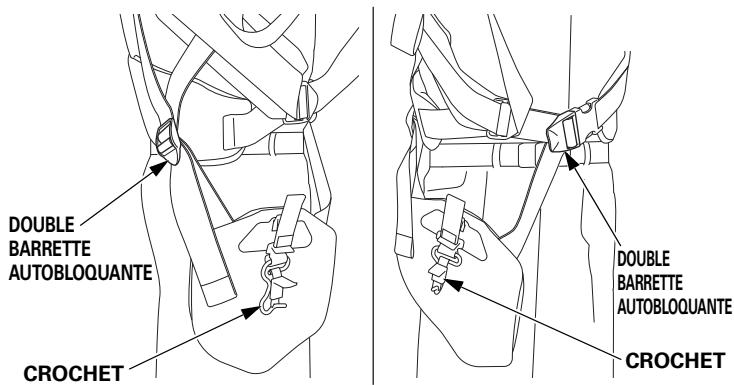
## REGLAGE DU DOUBLE HARNAIS

Tous les réglages peuvent être effectués en allongeant ou en raccourcissant la sangle de réglage à l'aide de la double barrette autobloquante.

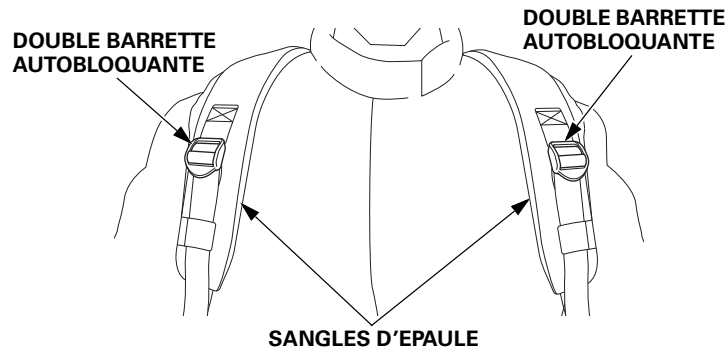
### Points de réglage

- La position du crochet peut être réglée à l'aide des doubles barrettes autobloquantes des sangles qui soutiennent le rembourrage de la taille.
- La longueur de la sangle d'épaule et la position du rembourrage de la taille peuvent être réglées à l'aide des barrettes autobloquantes des sangles d'épaules.
- Le rembourrage de la taille peut être adapté à l'aide de la double barrette autobloquante du côté droit.

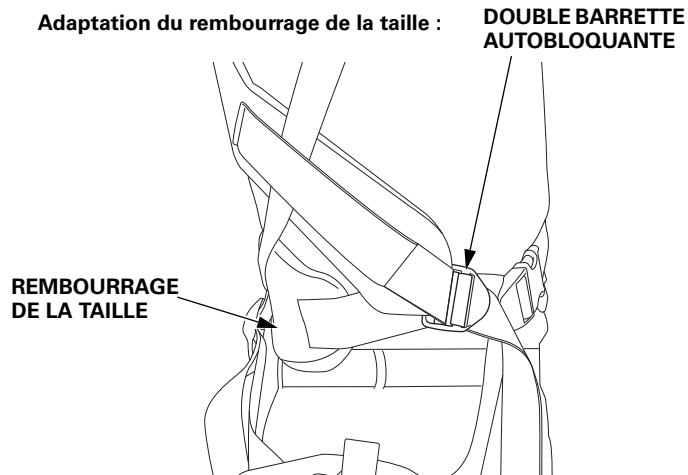
### Position du crochet :



### Longueur des sangles d'épaule :

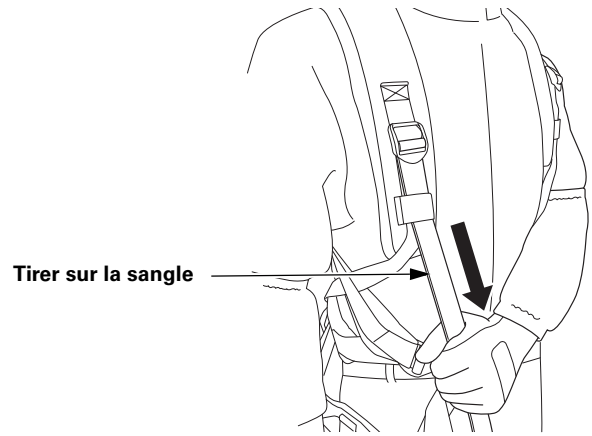


### Adaptation du rembourrage de la taille :

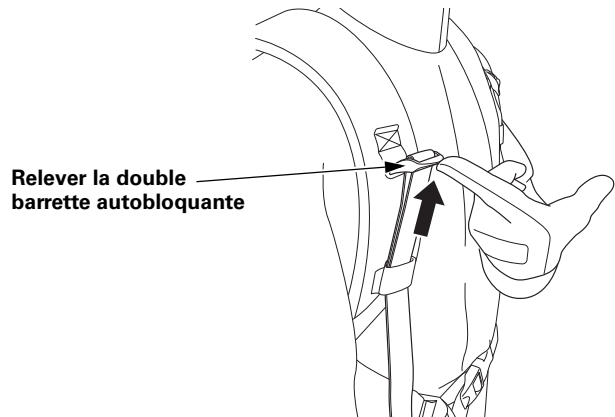


## Double barrette autobloquante

### Pour raccourcir la sangle de réglage



### Pour allonger la sangle de réglage



Toutes les doubles barrettes autobloquantes peuvent être actionnées de la même manière.

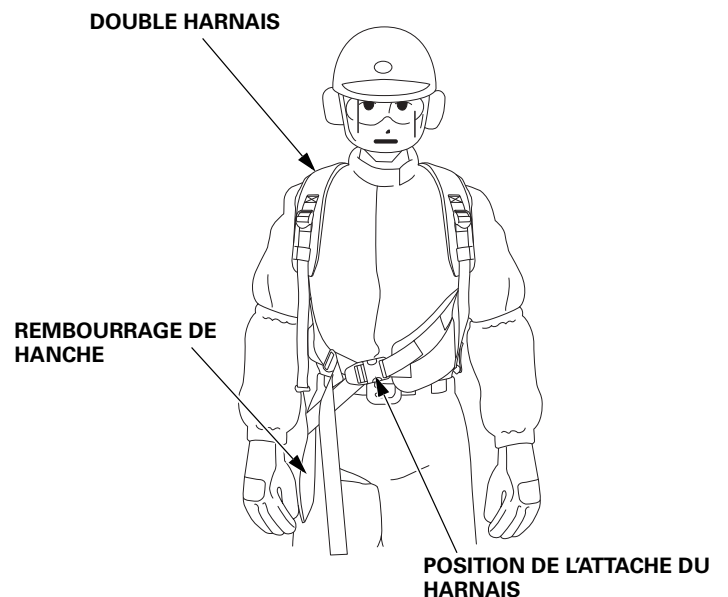
## Enfilage du double harnais

Enfiler le double harnais en plaçant le rembourrage de hanche sur le côté droit.

Vérifier que le harnais ne se tord pas.

Bien fermer l'attache du double harnais à l'avant du corps jusqu'à encliquetage.

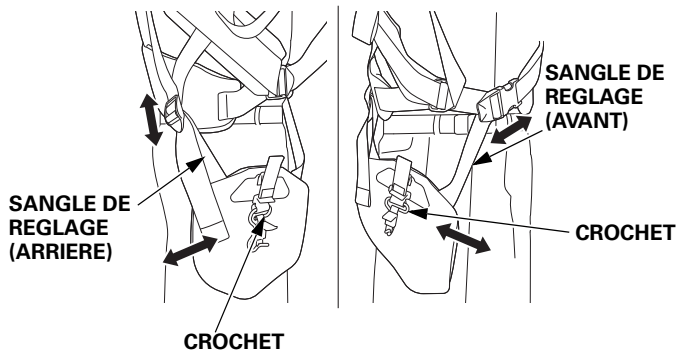
Pour débloquer l'attache du double harnais, tirer le harnais vers la droite et vers la gauche en appuyant sur l'attache.





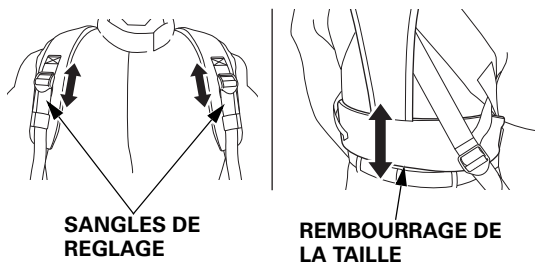
## Réglage de la position du crochet

- Le raccourcissement des sangles de réglage avant et arrière remonte le crochet.
- L'allongement des sangles de réglage avant et arrière abaisse le crochet.
- Le réglage d'un côté ou des deux côtés de la sangle de réglage dans des directions opposées déplace le crochet dans la direction dans laquelle la sangle a été tirée. (p. ex., si la sangle de réglage est raccourcie à l'avant et allongée à l'arrière, le crochet se déplace vers l'avant.)



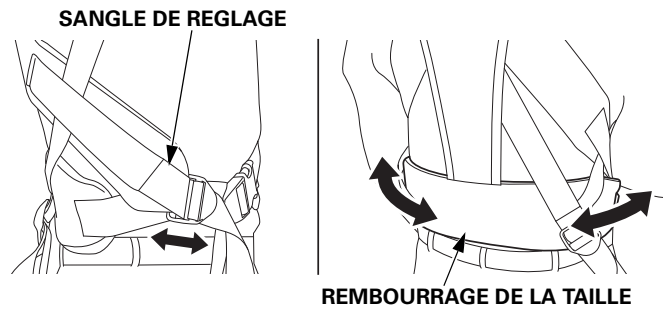
## Réglage des positions des sangles d'épaule et du rembourrage de la taille

- Raccourcir ou allonger les sangles de réglage de sorte que le rembourrage à la taille s'adapte autour de la taille.
- Le raccourcissement des sangles de réglage remonte le rembourrage de la taille.
- L'allongement des sangles de réglage abaisse le rembourrage de la taille.
- Pour répartir le poids sur les épaules et le dos, régler les sangles de réglage à gauche ou à droite.
- Le raccourcissement des deux sangles de réglage entraîne davantage de poids sur les épaules et le dos.
- Leur allongement entraîne davantage de poids à la taille.



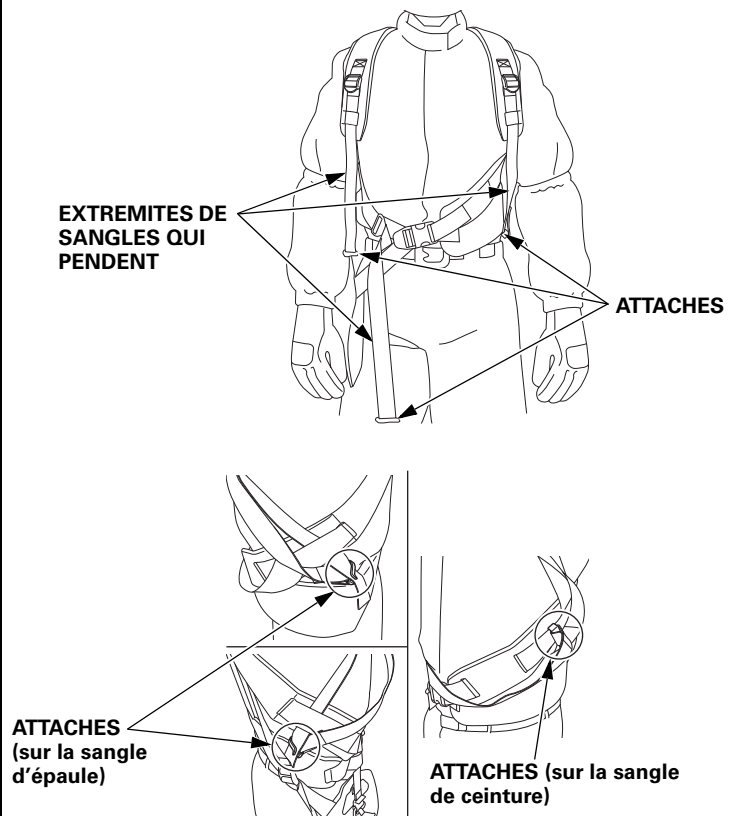
## Adaptation du rembourrage de la taille

- Le raccourcissement de la sangle de réglage serre davantage le rembourrage de la taille. Ce réglage est adapté au travail intensif étant donné que le poids suspendu de la débroussailleuse et la force de réaction seront répartis.
- L'allongement de la sangle de réglage augmente la plage de balancement de la débroussailleuse. Ce réglage est adapté à des opérations impliquant une force de réaction légère et une charge légère, par exemple, sur un terrain plat, pour un travail demandant des mouvements plus souples.



## Fixation des extrémités de sangles qui pendent

Après avoir réglé le harnais, fixer les extrémités de sangles qui pendent sur la ceinture à l'aide des attaches de fixation.



Ne pas fixer les attaches de la manière suivante.

- Fixation de l'attache du côté gauche sur la sangle du côté droit et inversement.
- Fixation à un autre endroit que le double harnais.

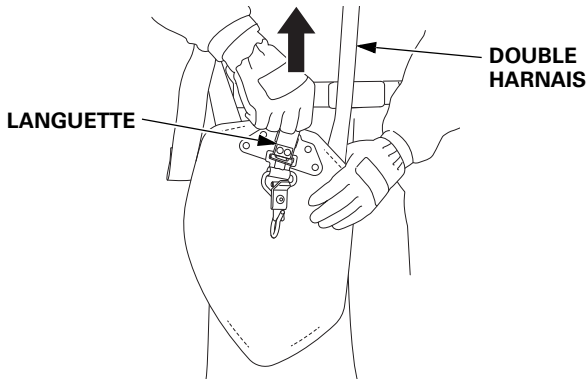
La fixation des attaches telle que ci-dessus peut empêcher le retrait du double harnais même si l'attache de ce dernier est débloquée.

## CONTROLE DU MECANISME DE DETACHEMENT RAPIDE

### REMARQUE :

- Lorsque le mécanisme de détachement rapide est utilisé pour détacher la débroussailleuse, cette dernière risque de tomber. Lors de la vérification du fonctionnement du mécanisme de détachement rapide, ne pas attacher la débroussailleuse au crochet sur le rembourrage de la taille afin d'empêcher la chute et l'endommagement de la débroussailleuse.

1. Enfiler le double harnais.
2. Vérifier que l'attache est débloquée dès que la languette du mécanisme de détachement rapide est tirée vers le haut tout en maintenant le rembourrage de hanche de la main gauche.
3. Insérer la pièce d'engagement de la languette dans la fente du mécanisme de détachement rapide.



Si la languette n'est pas détachée, faire inspecter et réparer le dispositif par le concessionnaire réparateur.

## CONTROLE DU RALENTI MOTEUR ET DE L'ACTIONNEMENT DE L'EMBRAYAGE

Cette inspection est nécessaire pour démarrer le moteur. Pour démarrer le moteur, se reporter à la page 23.

### ▲ AVERTISSEMENT

- Les gaz d'échappement contiennent du monoxyde de carbone toxique. Ne jamais faire tourner le moteur dans un endroit clos. Veiller à assurer une ventilation appropriée.
- Démarrer le moteur dans un endroit éloigné d'au moins 15 m de personnes, animaux domestiques et bâtiments environnants. Veiller à ce qu'aucun obstacle ne se trouve dans la zone de travail.

### ATTENTION :

Ne pas démarrer le moteur si l'accessoire de coupe touche le sol ou un obstacle. La débroussailleuse peut faire un mouvement inattendu et blesser l'utilisateur aux jambes, etc.

### Contrôle du ralenti moteur

Démarrer le moteur (voir page 23), et vérifier que le ralenti est normal.

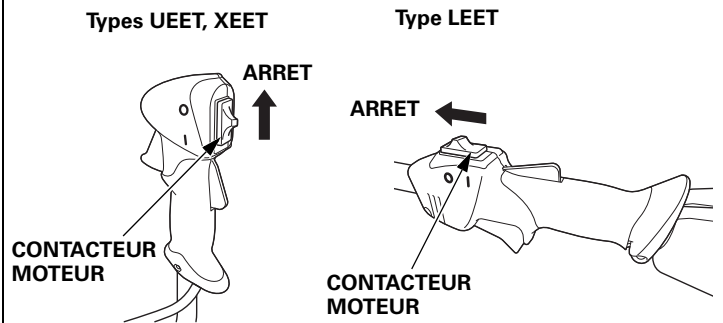
Si la vitesse de ralenti est anormalement élevée ou faible, ne pas utiliser la débroussailleuse et la faire inspecter par le concessionnaire réparateur.

### Contrôle du fonctionnement de l'embrayage

Vérifier que l'accessoire de coupe arrête de tourner lorsque la gâchette de commande des gaz est relâchée. L'accessoire de coupe ne doit pas tourner lorsque le moteur tourne au ralenti. En cas de rotation au ralenti, régler correctement le ralenti avant d'utiliser la débroussailleuse. Faire inspecter la débroussailleuse par son concessionnaire réparateur.

## CONTROLE DU FONCTIONNEMENT DU CONTACTEUR MOTEUR

Vérifier que le moteur est arrêté en déplaçant le contacteur moteur sur la position ARRET.



### ATTENTION :

- Noter que l'accessoire de coupe continue à tourner par inertie pendant un moment une fois que le moteur est arrêté.
- S'assurer que le moteur est arrêté et que l'accessoire de coupe arrête de tourner avant de poser la débroussailleuse au sol.

## DEMARRAGE DU MOTEUR

### ▲ AVERTISSEMENT

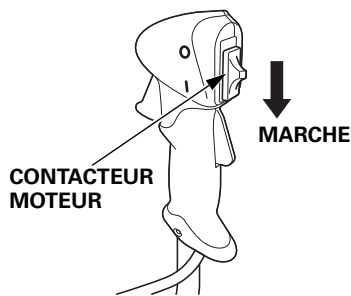
- Les gaz d'échappement contiennent du monoxyde de carbone toxique. Ne jamais faire tourner le moteur dans un endroit clos. Veiller à assurer une ventilation appropriée.
- Démarrer le moteur dans un endroit éloigné d'au moins 15 m de personnes, animaux domestiques et bâtiments environnants. Veiller à ce qu'aucun obstacle ne se trouve dans la zone de travail.

### ATTENTION :

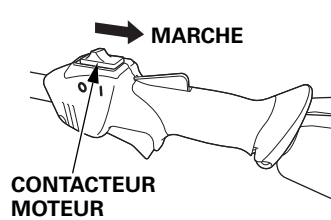
- Ne pas démarrer le moteur si l'accessoire de coupe touche le sol ou un obstacle. La débroussailleuse peut faire un mouvement inattendu et blesser l'utilisateur aux jambes, etc.
- Porter des vêtements de protection et des dispositifs de protection (voir page 2).

1. Placer le contacteur moteur sur la position MARCHÉ.

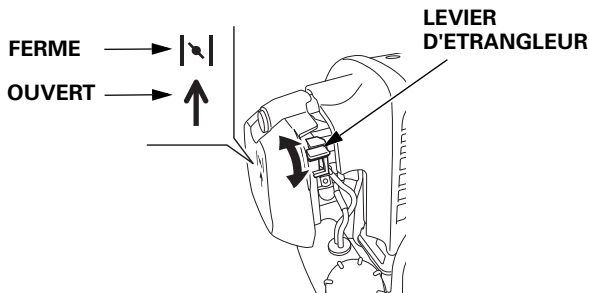
Types UEET, XEET



Type LEET

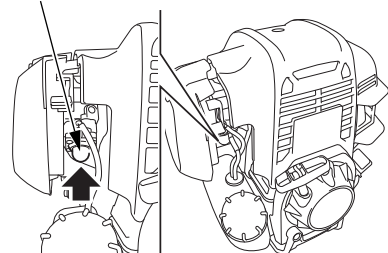


2. Pour démarrer un moteur froid, déplacer le levier d'étrangleur en position FERMÉE. Pour redémarrer un moteur chaud, laisser le levier d'étrangleur en position OUVERTE.



3. Appuyer sur la pompe d'amorçage plusieurs fois jusqu'à ce qu'elle soit remplie de carburant. Même si la pompe d'amorçage est actionnée trop souvent, le carburant superflu retourne au réservoir de carburant. Si la pompe d'amorçage n'est pas suffisamment actionnée, il est possible que le moteur ne démarre pas.

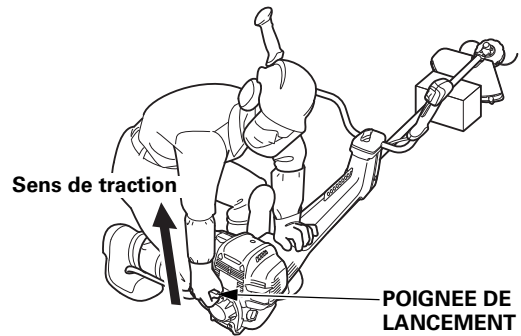
POMPE D'AMORCE



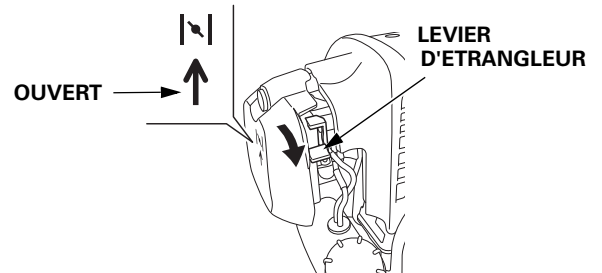
4. Tirer légèrement la poignée de lancement jusqu'à sentir une résistance tout en soutenant l'arbre de transmission à l'aide du pied et en tenant l'arbre de transmission à la main, puis tirer brusquement dans le sens de la flèche comme indiqué ci-dessous. Ramener doucement la poignée de lancement en arrière.

### REMARQUE :

- Ne pas laisser la poignée de lancement revenir brusquement contre le moteur. Accompagner doucement son mouvement de retour pour ne pas risquer d'endommager le lanceur.
- Il peut en résulter un dommage si la poignée de lancement est tirée alors que le moteur tourne.



5. Si le levier d'étrangleur a été déplacé en position FERMÉE pour démarrer le moteur, le déplacer progressivement en position OUVERTE au fur et à mesure que le moteur se réchauffe.



## OPERATION DE TAILLAGE

Lire et comprendre les instructions de sécurité aux pages 2 à 4 avant d'utiliser la débroussailleuse.

En cas de son, odeur ou vibration anormal(e), ou d'autres signes inhabituels, arrêter immédiatement le moteur et contacter son concessionnaire réparateur.




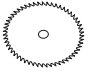
Arrêter le moteur lors du réglage de la longueur du double harnais.

### ▲ AVERTISSEMENT

- **Ne pas utiliser la débroussailleuse si l'accessoire de coupe en rotation peut atteindre les pieds. Il existe un risque de blessures aux pieds si l'accessoire de coupe en rotation les touche.**
- **Veiller à enfiler le double harnais avant d'utiliser la débroussailleuse. Dans le cas contraire, l'instabilité de la débroussailleuse pourrait entraîner des blessures.**
- **Pour une question de sécurité, inspecter l'accessoire de coupe pour vérifier qu'il n'est ni usé ni endommagé et vérifier son serrage avant de démarrer le moteur. L'utilisation de la débroussailleuse avec un accessoire de coupe usé, fissuré ou endommagé peut entraîner des blessures ou des dommages matériels. Un accessoire de coupe usé, fissuré ou endommagé peut se casser et des pièces de l'accessoire endommagé peuvent heurter l'utilisateur ou les personnes autour, entraînant un décès ou des blessures graves.**
- **Veiller à enfiler le double harnais avant d'utiliser la débroussailleuse. Dans le cas contraire, l'instabilité de la débroussailleuse pourrait entraîner des blessures.**
- **Pour la sécurité et le confort de l'utilisateur, il est important de régler les sangles du harnais afin qu'elles soient confortables et que la machine soit ainsi correctement équilibrée en position de travail.**

### APPLICATIONS DE L'ACCESSOIRE DE COUPE

Pour une utilisation plus efficace, sélectionner un accessoire de coupe adapté à la hauteur de l'herbe et aux autres conditions du sol.

Type d'accessoire de coupe	Conditions appropriées
 Organe de coupe flexible	Tonte de pelouse basse et nettoyage
 Organe de coupe en acier (3 dents)	Nettoyage de mauvaises herbes denses et emmêlées, de buissons tels que des ronces ou d'arbustes sauvages dont le diamètre de tige est inférieur à 20 mm
 Organe de coupe en acier (4 dents) (pièce en option)	Taillage d'arbustes, de buissons et de petits arbres dont le diamètre de tronc est inférieur à 60 mm
 Organe de coupe en acier (scie circulaire) (pièce en option)	

### PORT DU DOUBLE HARNAIS ET INSTALLATION DE LA DEBROUSSAILLEUSE SUR LE CROCHET

#### REMARQUE :

Lors de l'utilisation de la débroussailleuse, toujours revenir au ralenti entre les différentes opérations. Si le moteur tourne à sa vitesse maximale à vide (aucune résistance sur l'accessoire de coupe) pendant une longue période, le moteur est peut-être gravement endommagé.

1. Enfiler le double harnais et l'adapter (voir page 20).
2. Démarrer le moteur (voir page 23) et suspendre la débroussailleuse sur le crochet du double harnais (voir page 12).
3. S'assurer que la débroussailleuse conserve un bon équilibre (voir page 19).

## FONCTIONNEMENT DE BASE

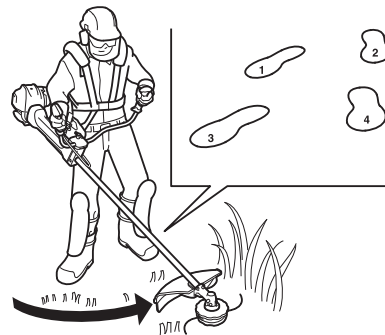
### Attitude correcte pour une opération de taille

- Tenir la débroussailleuse dans la position appropriée (voir page 19).
- Relâcher progressivement la pression sur la poignée. Ne pas lâcher la poignée, mais la tenir en exerçant une faible pression des deux mains et vérifier que la garde au sol de l'accessoire de coupe ne change pas de manière significative.
- Tenir fermement la débroussailleuse à deux mains, les doigts et les pouces autour des poignées. Ceci permettra de garder la maîtrise de la débroussailleuse en permanence.
- Maintenir l'appui des pieds et garder l'équilibre.
- Ne pas se pencher trop loin.
- Maintenir l'accessoire de coupe à une hauteur ne dépassant pas les genoux.
- Maintenir tout le corps à distance de l'accessoire de coupe en rotation et d'une surface chaude.

Un réglage est nécessaire si l'accessoire de coupe se trouve au-dessus des genoux de l'utilisateur. Ne pas utiliser la débroussailleuse avant le réglage. S'il est impossible d'équilibrer la débroussailleuse avec le bon réglage, contacter son concessionnaire réparateur.

### Action de base de l'opération de taille

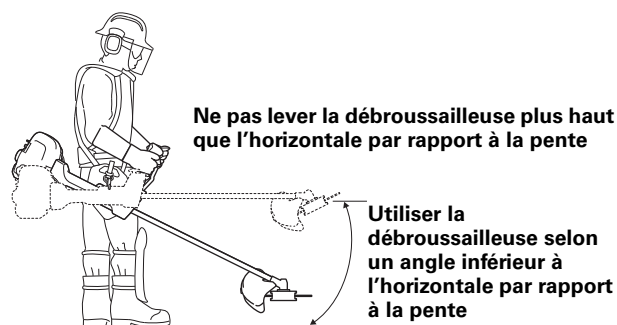
- Utiliser la débroussailleuse sans utiliser la force des bras, mais plutôt en faisant travailler sa taille afin que l'accessoire de coupe se balance selon un arc horizontal de droite à gauche. Tenir la débroussailleuse de manière à pouvoir déplacer son poids sur la jambe droite, puis sur la jambe gauche, en toute sécurité et facilement, et marcher lentement à petites enjambées.
- Lors de l'utilisation de la débroussailleuse sur une pente modérée, se tenir dans le bas de la pente. Les pentes abruptes sont glissantes et l'utilisateur peut perdre l'équilibre. Ne pas utiliser la débroussailleuse sur une pente abrupte.



#### ATTENTION :

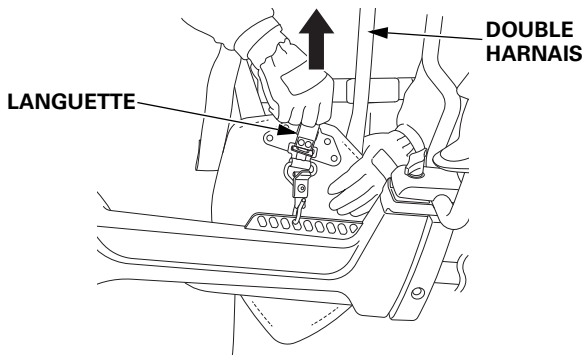
Faire attention à son appui sur les pieds. Ne pas utiliser la débroussailleuse dans un endroit glissant ; l'utilisateur risquerait de perdre son équilibre.

- Lors de l'utilisation de la débroussailleuse, ne pas la lever plus haut que l'horizontale par rapport à la pente. Toujours maintenir la débroussailleuse selon un angle inférieur à l'horizontale par rapport à la pente.



## En cas d'urgence

En cas d'urgence, tirer sur la languette du mécanisme de détachement rapide et éloigner la débroussailleuse du corps pour la détacher du double harnais.



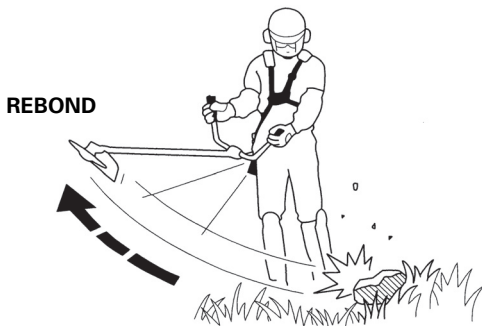
## Pour éviter un rebond

Les segments de la « moitié droite » de l'organe de coupe en acier ne doivent pas être utilisés pour couper.

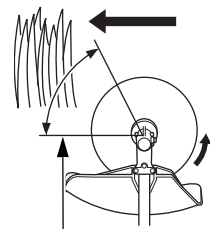
Un contact entre l'organe de coupe en acier et des objets durs alors que l'organe de coupe en acier tourne entraîne un recul de l'outil dû au sens de rotation (ce phénomène s'appelle « rebond »).

### ⚠ AVERTISSEMENT

- **Ne jamais toucher d'objets durs tels que des pierres, arbres, poteaux ou du béton avec l'organe de coupe en acier en rotation. Si l'organe de coupe en acier heurte ce type d'objets, cela entraîne un rebond. Ne jamais couper du bois très dur et/ou des plantes d'un gros diamètre de tige à l'aide de l'organe de coupe en acier ; cela entraînerait un rebond. Un rebond entraîne une perte de contrôle de la débroussailleuse et un contact de l'organe de coupe en acier avec l'utilisateur ou des personnes autour et, par conséquent, un décès ou des blessures graves. Un organe de coupe usé, fissuré ou endommagé peut alors se casser et les pièces projetées par l'organe de coupe en acier peuvent heurter l'utilisateur ou les personnes autour, entraînant un décès ou des blessures graves.**
- **La coupe doit être réalisée uniquement lorsque la débroussailleuse est balancée vers la gauche. Les segments de la « moitié droite » de l'organe de coupe en acier ne doivent pas être utilisés pour couper. Lorsque la débroussailleuse est balancée vers la droite, ne pas couper l'herbe. Le fait de heurter un objet dur dans cette direction entraîne un rebond et, par conséquent, un décès ou des blessures graves.**
- **Si l'organe de coupe en acier touche un obstacle, arrêter immédiatement le moteur. Vérifier l'organe de coupe en acier après avoir arrêté sa rotation. Ne jamais reprendre le travail avec un organe de coupe en acier cassé ou endommagé.**

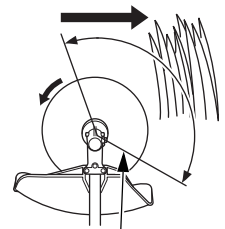


✓  
Lors du balancement vers la gauche



MOITIE GAUCHE (à utiliser pour couper)

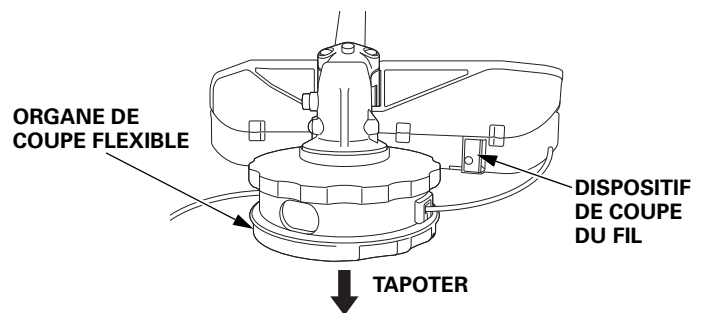
⊘  
Lors du balancement vers la droite



MOITIE DROITE (le fait de heurter des objets durs avec cette partie entraîne un rebond)

## Avancée du fil de l'organe de coupe flexible

Pour ce type d'accessoire de coupe, le fil de nylon avance lorsque l'organe de coupe flexible est tapoté contre le sol alors que le moteur tourne. Une protection d'accessoire de coupe avec dispositif de coupe du fil doit être utilisée dans ce cas.



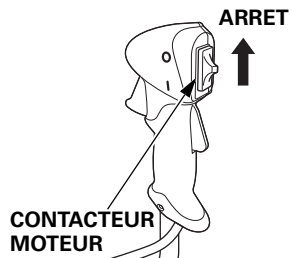
## ARRET DU MOTEUR

1. Relâcher la gâchette de commande des gaz.
2. Placer le contacteur moteur sur la position ARRET.

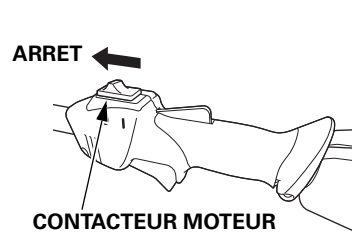
### ATTENTION :

- Noter que l'accessoire de coupe continue à tourner par inertie pendant un moment une fois que le moteur est arrêté.
- S'assurer que le moteur est arrêté et que l'accessoire de coupe arrête de tourner avant de poser la débroussailleuse au sol.

Types UEET, XEET



Type LEET





## ENTRETIEN

Des contrôles et un réglage périodiques de la débroussailleuse sont indispensables pour maintenir un niveau élevé de performances. Un entretien régulier aide aussi à prolonger la durée de service. Les fréquences d'entretien requises et le type d'entretien à réaliser sont décrits dans le programme d'entretien.

Pour une plus longue durée de service et une grande efficacité, maintenir le dessous de la protection de l'accessoire de coupe propre et exempt de déchets d'herbe accumulés en le nettoyant à l'aide d'un tuyau après chaque utilisation et/ou en le nettoyant à l'aide d'une brosse métallique et d'un grattoir.

### ▲ AVERTISSEMENT

- Avant toute opération d'entretien, placer la débroussailleuse sur une surface plane, vérifier que l'accessoire de coupe est arrêté et tourner le contacteur moteur sur la position **ARRET** pour s'assurer que le moteur ne démarre pas accidentellement.
- La débroussailleuse doit être réparée par un concessionnaire réparateur, sauf si le propriétaire dispose des outils appropriés et des informations d'entretien et se sent qualifié pour le faire.

### ATTENTION :

- Utiliser des pièces Honda d'origine ou des pièces équivalentes pour l'entretien ou les réparations. Les pièces de rechange qui ne sont pas de qualité équivalente risquent d'endommager la débroussailleuse.
- Pour éviter des blessures, monter la housse sur l'organe de coupe en acier avant d'effectuer des réparations autour de cet organe.

Pour monter la housse de l'organe de coupe, se reporter à la page 14.

## PROGRAMME D'ENTRETIEN

PERIODICITE D'ENTRETIEN (3)		Fréquence						Page
		Chaque utilisation	Premier mois ou 10 h.	Tous les 3 mois ou 25 h.	Tous les 6 mois ou 50 h.	Tous les ans ou 100 h.	Tous les 2 ans ou 300 h.	
Élément	Exécuter l'entretien selon la périodicité indiquée en mois ou en heures de fonctionnement, à la première des deux échéances.							
Huile moteur	Contrôle du niveau	o					14	
	Renouvellement		o		o		31	
Filtre à air	Contrôle	o					15	
	Nettoyer			o (1)			31	
	Remplacement					o	31	
Bougie	Contrôle-réglage					o (2)	-	
	Remplacement						o (2)	
Câble des gaz/gâchette de commande des gaz	Contrôle	o					16	
Actionnement du contacteur moteur	Contrôle	o					22	
Double harnais	Contrôle	o					19	
Accessoire de coupe	Vérifier (Remplacer si nécessaire)	o					18	
Protection de l'accessoire de coupe	Contrôle	o					16	
Ralenti/embrayage	Contrôle	o					22	
Ailettes de refroidissement du moteur	Contrôle-nettoyage				o (1)(2)		-	
Ecrous, boulons, fixations	Vérifier (Resserrer si nécessaire)	o					18	
Réservoir de carburant	Nettoyer					o	32	
Filtre à carburant	Contrôle					o	32	
Masselotte et tambour d'embrayage	Contrôle				o (2)(4)		-	
Usure de la tête de coupe	Contrôle				o (2)		-	
Tête de coupe	Contrôle-nettoyage	o					17	
	Graisse			o			32	
Régime de ralenti	Contrôle-réglage					o (2)	-	
Jeu aux soupapes	Contrôle-réglage					o (2)	-	
Chambre de combustion	Nettoyer	Tous les 2 ans ou toutes les 300 heures (2)						-
Tuyaux de carburant	Contrôle	Tous les ans ou toutes les 100 heures (Remplacer si nécessaire) (2)						-
Tuyaux d'huile	Contrôle	Tous les 2 ans (Remplacer si nécessaire) (2)						-
Caoutchouc anti-vibrations (5)	Contrôle-réglage				o (2)		-	

- (1) Réaliser des entretiens plus souvent lorsque la débroussailleuse est utilisée dans des endroits poussiéreux.
- (2) Confier l'entretien de ces points au concessionnaire réparateur à moins de disposer des outils appropriés et d'avoir les compétences requises en mécanique. Pour les procédures d'entretien, consulter le manuel d'atelier Honda.
- (3) Consigner le nombre d'heures de fonctionnement afin de déterminer la périodicité d'entretien appropriée.
- (4) Ces pièces d'usure doivent être remplacées même après une courte période si nécessaire.
- (5) Type XEET (type applicable)

## REPLACEMENT DE L'ACCESSOIRE DE COUPE

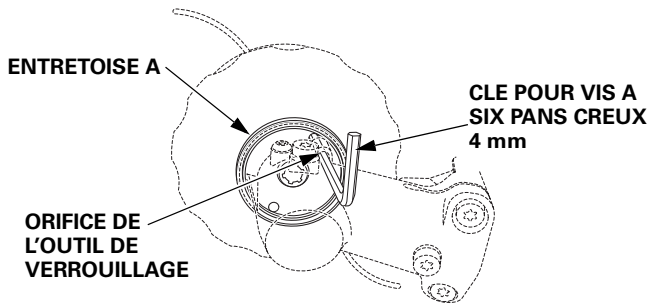
### ⚠ AVERTISSEMENT

- Afin d'éviter des blessures graves, vérifier que le contacteur moteur est en position **ARRÊT** pour empêcher un démarrage accidentel.
- Pour une question de sécurité, inspecter l'accessoire de coupe pour vérifier qu'il n'est ni usé ni endommagé et vérifier son serrage avant de démarrer le moteur. L'utilisation de la débroussailleuse avec un accessoire de coupe usé, fissuré ou endommagé peut entraîner des blessures ou des dommages matériels. Un accessoire de coupe usé, fissuré ou endommagé peut se casser et des pièces de l'accessoire endommagé peuvent heurter l'utilisateur ou les personnes autour, en entraînant un décès ou des blessures graves.

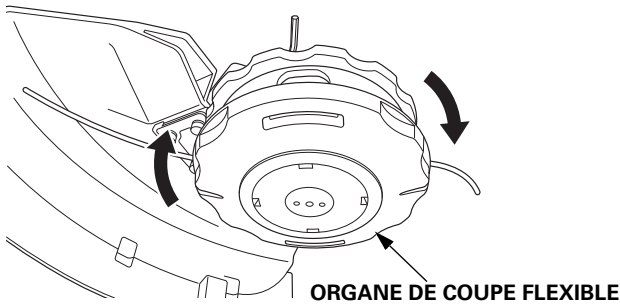
### Remplacement de l'organe de coupe flexible

Dépose :

1. Arrêter le moteur en plaçant le contacteur moteur sur la position **ARRÊT**.
2. Insérer la clé pour vis à six pans creux de 4 mm dans l'orifice de l'outil de verrouillage. Tourner l'organe de coupe flexible jusqu'à sentir la clé pour vis à six pans creux tomber dans l'orifice de l'entretoise A. Vérifier que l'organe de coupe flexible ne tourne pas.

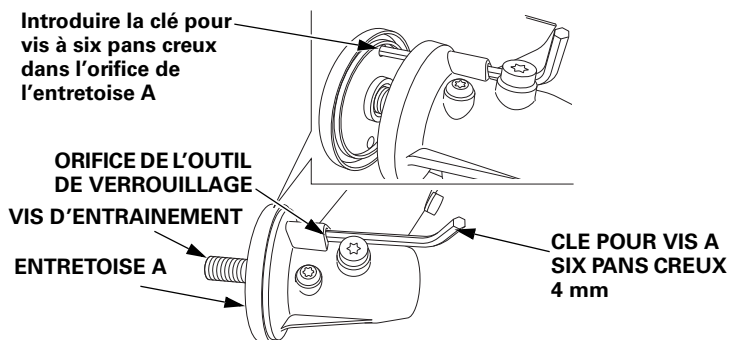


3. Tourner l'organe de coupe flexible dans le sens des aiguilles d'une montre pour le déposer de la tête de coupe.

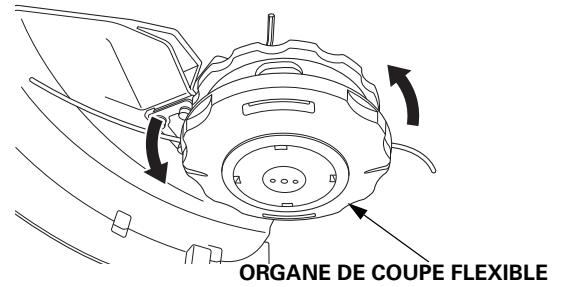


Montage :

1. Vérifier que l'entretoise A est montée sur la tête de coupe.
2. Insérer la clé pour vis à six pans creux de 4 mm dans l'orifice de l'outil de verrouillage pour empêcher la vis d'entraînement de tourner.



3. Tourner l'organe de coupe flexible dans le sens inverse des aiguilles d'une montre pour le monter sur la tête de coupe.



### Remplacement du fil de nylon

### ⚠ AVERTISSEMENT

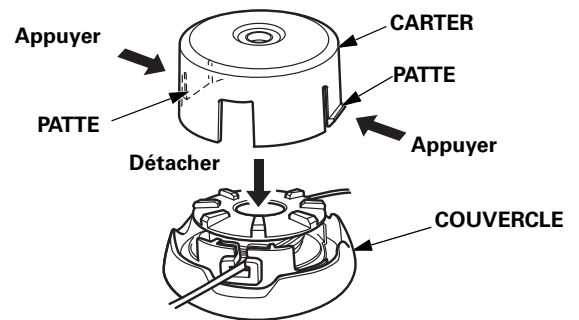
- **Ne jamais remplacer le fil de nylon par un fil d'un matériau différent, tel qu'un fil d'acier.**

Types UEET, LEET :

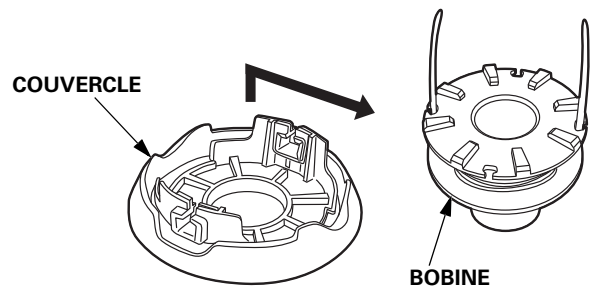
Caractéristiques du fil de nylon recommandées :

Diamètre de fil de nylon standard : 2,7 mm, longueur maximale : 6,0 m

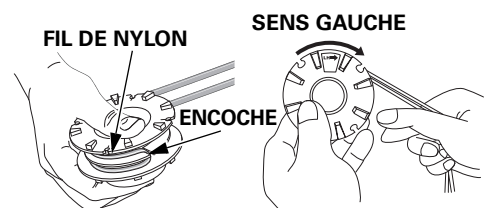
1. Retirer le couvercle du carter. Appuyer sur deux pattes du carter et descendre le couvercle.



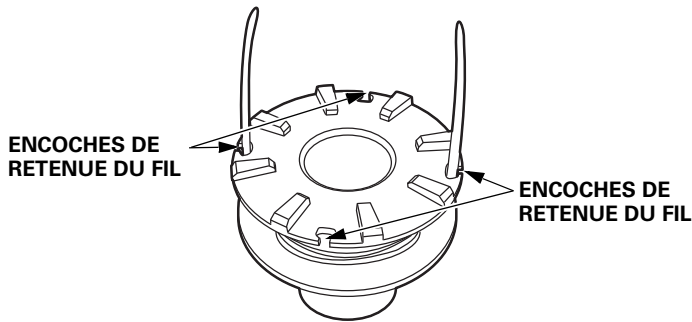
2. Détacher la bobine du couvercle et retirer le reste du fil de nylon.



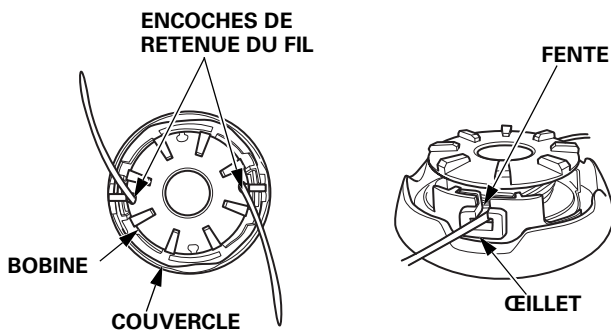
3. Préparer une longueur appropriée de fil de nylon et le plier à la moitié, dans le sens de la longueur.
4. Placer le milieu du fil de nylon dans l'encoche du dévidoir et enrouler le fil de nylon en le tournant dans le sens indiqué.



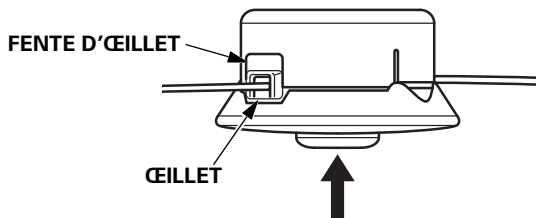
5. Maintenir les fils de nylon sur les encoches de retenue du fil de l'une des brides externes de la bobine. Laisser sortir 10 cm de fil des encoches. Ne pas laisser les fils se relâcher.



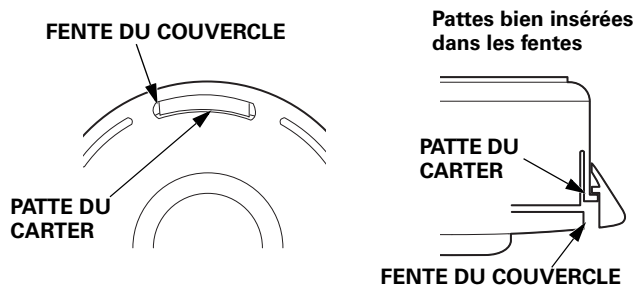
6. Placer la bobine sur le couvercle dans la position qui aligne les encoches de retenue du fil sur les œillets du couvercle. Faire passer les fils de nylon dans les œillets à travers les fentes du dessus des œillets.



7. Aligner l'œillet sur la fente d'œillet du carter, et monter le couvercle dans le carter.



REMARQUE :  
S'assurer que les pattes du carter s'insèrent bien dans chaque fente du couvercle.

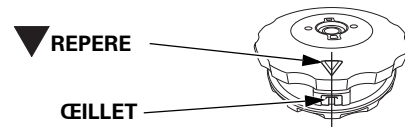


Type XEET :

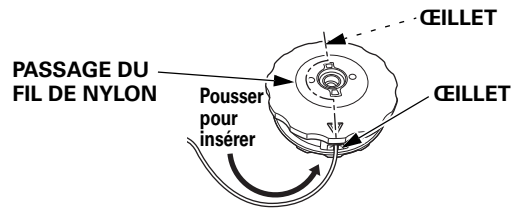
Caractéristiques du fil de nylon recommandées :

Diamètre de fil de nylon standard : 3,0 mm, longueur maximale : 5,0 m

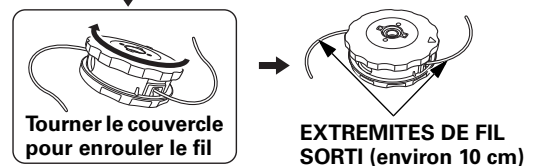
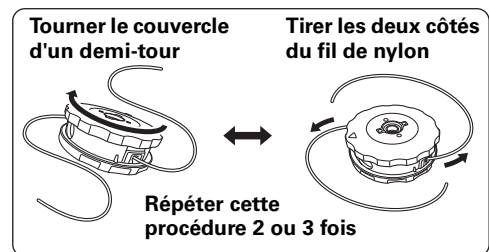
1. Aligner le repère ▼ sur l'œillet.



2. Préparer une longueur appropriée de fil de nylon. Insérer le fil de nylon dans l'œillet depuis le côté gauche comme indiqué sur l'illustration. L'insertion de ce côté pousse en douceur le fil de l'autre côté de l'orifice.  
3. Pousser le fil de nylon de sorte que l'extrémité du fil ressorte de l'autre côté de l'œillet.



4. Faire sortir le fil de nylon et régler la longueur du fil de sorte que la longueur soit identique des deux côtés.  
5. Tout en tenant la bobine, tourner d'un demi-tour le couvercle dans le sens indiqué pour enrouler le fil de nylon. Tirer les deux côtés du fil de nylon pour tendre le fil enroulé sur la bobine, puis tourner le couvercle d'un demi-tour et tirer de nouveau le fil de nylon. Répéter cette procédure 2 ou 3 fois. Tourner ensuite le couvercle jusqu'à ce que chaque extrémité de fil sorti mesure environ 10 cm.



## Remplacement de l'organe de coupe en acier

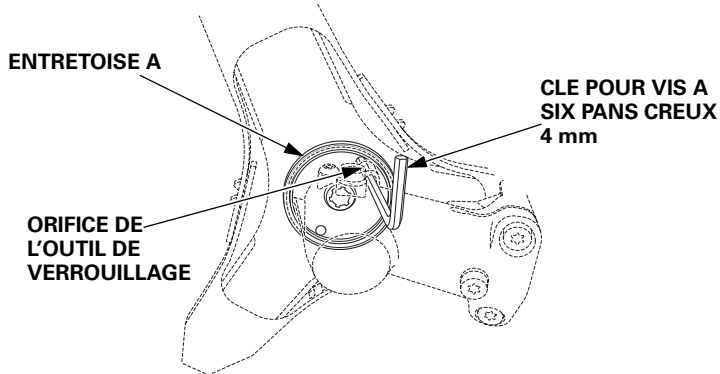
### ATTENTION :

- Porter des gants résistants pour se protéger les mains lors des réparations autour de l'accessoire de coupe.
- Pour éviter des blessures, monter la housse sur l'organe de coupe en acier avant d'effectuer des réparations autour de cet organe.

Pour monter la housse de l'organe de coupe, se reporter à la page 14.

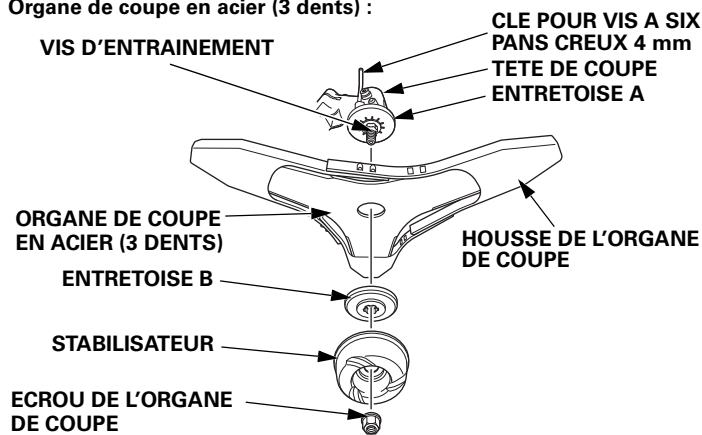
Dépose :

1. Arrêter le moteur en plaçant le contacteur moteur sur la position **ARRÊT**.
2. Insérer la clé pour vis à six pans creux de 4 mm dans l'orifice de l'outil de verrouillage. Tourner l'organe de coupe en acier jusqu'à sentir la clé pour vis à six pans creux tomber dans l'orifice de l'entretoise A. Vérifier que l'organe de coupe en acier ne tourne pas.

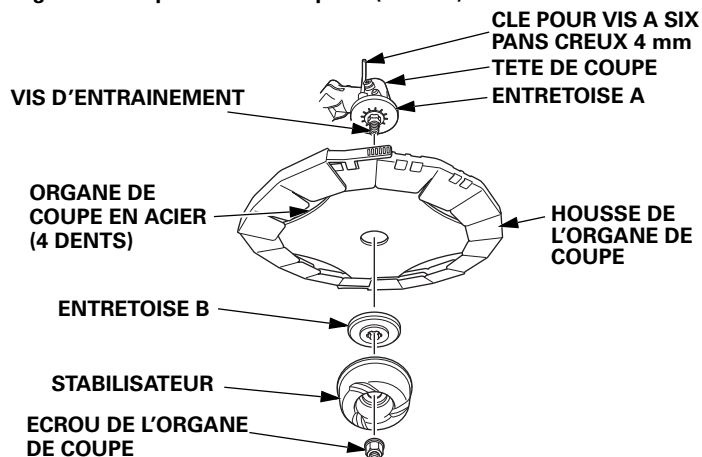


3. Desserrer l'écrou de l'organe de coupe. La vis d'entraînement et l'écrou de l'organe de coupe présentent des filetages à gauche. Tourner dans le sens des aiguilles d'une montre pour desserrer. Faire attention à l'ordre et l'orientation des pièces lors de leur dépose.

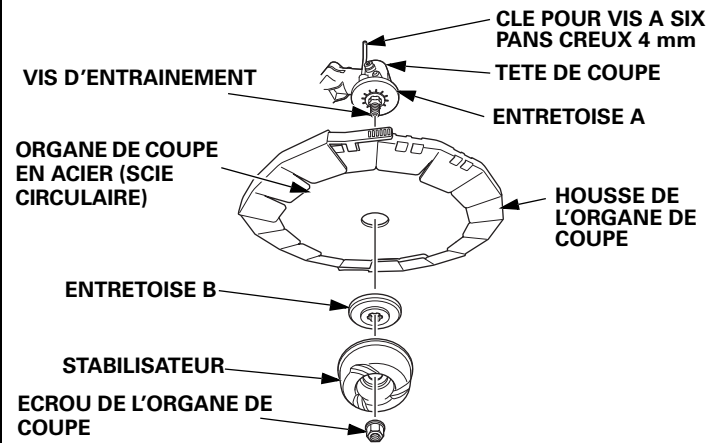
Organe de coupe en acier (3 dents) :



Organe de coupe en acier en option (4 dents) :



Organe de coupe en acier en option (scie circulaire) :



Montage :

Pour monter l'organe de coupe en acier, consulter la page 10.

## REPLACEMENT DE L'HUILE MOTEUR

### REMARQUE :

- L'utilisation du moteur avec un niveau d'huile trop bas endommage gravement le moteur.
- L'utilisation d'une huile non détergente ou d'une huile moteur deux-temps peut raccourcir la durée de service du moteur.

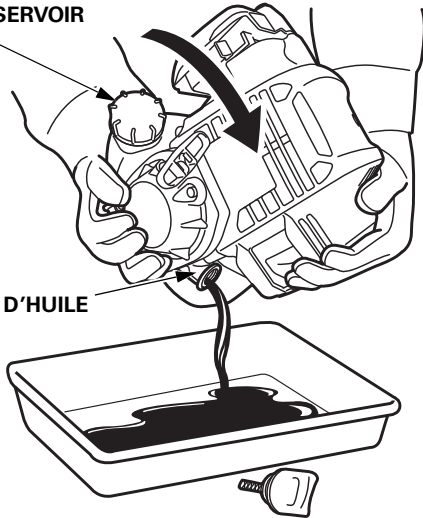
### REMARQUE :

Vidanger l'huile alors que le moteur est encore chaud afin d'obtenir une vidange rapide et totale.

1. Vérifier que le bouchon du réservoir de carburant est bien serré.
2. Enlever le bouchon de remplissage d'huile et vidanger l'huile dans le bac à huile en inclinant le moteur vers la goulotte de remplissage d'huile.

BOUCHON DU RESERVOIR DE CARBURANT

GOULOTTE DE REMPLISSAGE D'HUILE



3. Remplir avec l'huile du type recommandé jusqu'à la limite supérieure (bord de la goulotte de remplissage d'huile).
4. Monter le bouchon de remplissage d'huile.

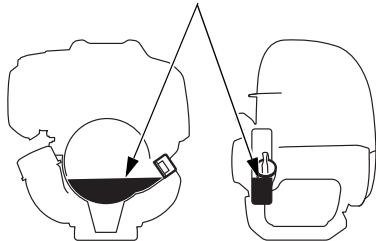
CONTENANCE D'HUILE MOTEUR : 130 cm<sup>3</sup> (0,13 L)

GOULOTTE DE REMPLISSAGE D'HUILE

LIMITE SUPERIEURE (bord de la goulotte de remplissage d'huile)

BOUCHON DE REMPLISSAGE D'HUILE MOTEUR

LIMITE SUPERIEURE



Se laver les mains à l'eau et au savon après avoir manipulé de l'huile usagée.

### REMARQUE :

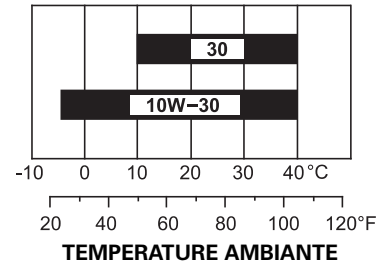
Se débarrasser de l'huile moteur usagée d'une manière compatible avec l'environnement. Nous conseillons de la porter dans un récipient fermé à la station-service locale pour qu'elle soit recyclée. Ne pas la jeter avec les déchets ménagers et ne pas la verser sur le sol.

## Huile moteur recommandée

Utiliser une huile moteur 4 temps répondant au minimum aux prescriptions pour la classification de service API SE ou ultérieure (ou équivalente). Toujours vérifier l'étiquette de service API sur le bidon d'huile pour s'assurer qu'elle porte bien la mention SE ou ultérieure (ou équivalente).

L'indice SAE 10W-30 est préconisé pour un usage général. Les autres viscosités indiquées dans le tableau peuvent être utilisées lorsque la température moyenne du lieu d'utilisation se trouve dans la plage indiquée.

Caractéristiques d'huile de lubrification nécessaires pour maintenir les performances du système de contrôle des émissions : Huile Honda d'origine.



## NETTOYAGE DU FILTRE A AIR

Un filtre à air sale restreint le passage d'air vers le carburateur. Pour empêcher un dysfonctionnement du carburateur, effectuer un entretien régulier du filtre à air. Réaliser des entretiens plus souvent lorsque la débroussailluse est utilisée dans des endroits très poussiéreux.

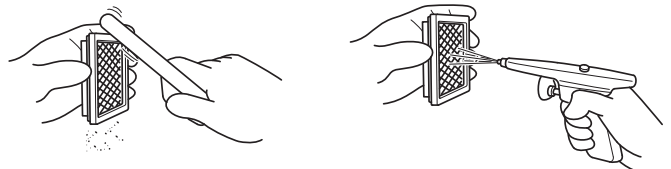
### ▲ AVERTISSEMENT

**Ne jamais utiliser d'essence ou de solvants à point d'éclair bas pour nettoyer l'élément de filtre à air. Il pourrait en résulter un incendie ou une explosion.**

Déposer l'élément de filtre à air pour le nettoyer.

Pour déposer l'élément de filtre à air, consulter la page 15.

Tapoter doucement l'élément de filtre en papier à plusieurs reprises sur une surface dure pour en détacher la saleté ou appliquer un jet d'air comprimé [200 kPa (2,0 kgf/cm<sup>2</sup>, 29 psi) maximum] à travers l'élément filtrant depuis le côté du corps du filtre à air. Ne jamais essayer de faire partir la saleté avec une brosse; ceci ne ferait qu'enfoncer la saleté dans les fibres. Remplacer l'élément de filtre à air s'il est excessivement sale.



Après avoir nettoyé le filtre à air, le monter correctement sur le corps de filtre à air.

Pour reposer l'élément de filtre à air, consulter la page 15.

### REMARQUE :

Ne jamais faire tourner le moteur sans le filtre à air ; il en résulterait une usure rapide du moteur.



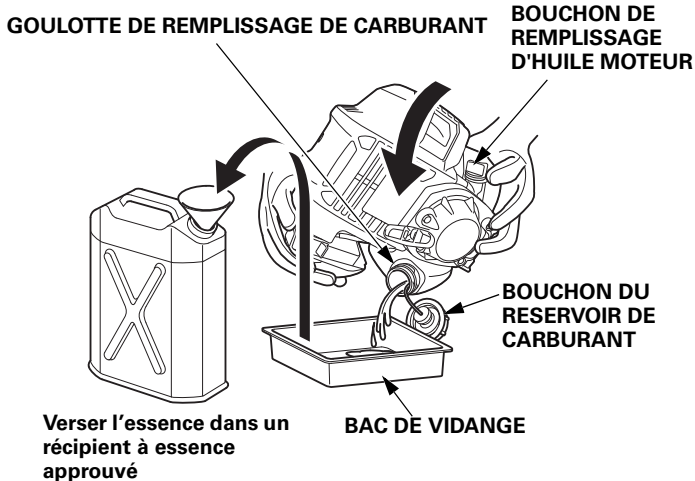
## NETTOYAGE DU FILTRE A CARBURANT ET DU RESERVOIR DE CARBURANT

### ▲AVERTISSEMENT

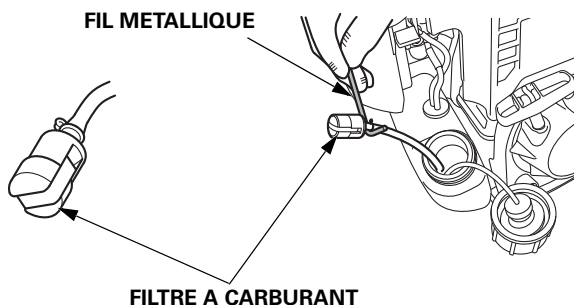
- L'essence est hautement inflammable et explosive dans certaines conditions.
- Réaliser l'entretien dans un endroit bien aéré avec le moteur arrêté. Ne pas fumer ou ne pas autoriser de flammes ou étincelles dans la zone où le plein du moteur est fait ou de stockage de l'essence.
- Veiller à ne pas renverser de carburant au moment de remplir le réservoir. L'essence répandue ou les vapeurs d'essence peuvent s'enflammer. Si du carburant est répandu, vérifier que la zone est sèche avant de démarrer le moteur.
- Éviter un contact répété ou prolongé avec la peau, ainsi que l'inhalation de vapeurs.
- TENIR HORS DE PORTEE DES ENFANTS.

Noter que le filtre à carburant colmaté peut entraîner de faibles performances du moteur. L'eau et la poussière, la saleté ou un matériau contaminé dans le réservoir de carburant peuvent entraîner de faibles performances du moteur.

1. Vérifier que le bouchon de remplissage d'huile moteur est bien serré.
2. Enlever le bouchon du réservoir de carburant et vidanger l'essence dans le récipient en inclinant le moteur vers la goulotte de remplissage de carburant.



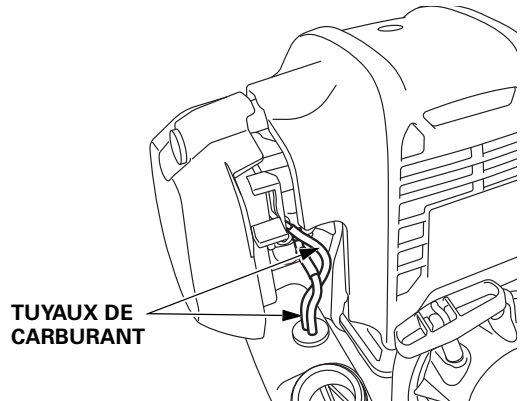
3. Retirer doucement, à l'aide d'un fil métallique (un trombone déplié par exemple), le filtre à carburant de la goulotte de remplissage de carburant.



4. Inspecter le filtre à carburant pour vérifier sa propreté. Si le filtre à carburant est sale, le laver avec soin avec un solvant ininflammable ou à point d'éclair élevé. Si le filtre à carburant est excessivement sale, le remplacer.
5. Enlever l'eau et la saleté du réservoir de carburant en rinçant l'intérieur du réservoir de carburant avec un solvant ininflammable ou à point d'éclair élevé.
6. Remettre le filtre à carburant dans le réservoir et serrer fermement le bouchon du réservoir de carburant.

## CONTROLE DES TUYAUX DE CARBURANT

Vérifier que les tuyaux de carburant ne sont ni fissurés ni détériorés, et que les tuyaux de carburant ne présentent aucune fuite. En cas de symptômes anormaux sur les tuyaux de carburant, contacter son concessionnaire réparateur.



## GRAISSAGE DE LA TETE DE COUPE

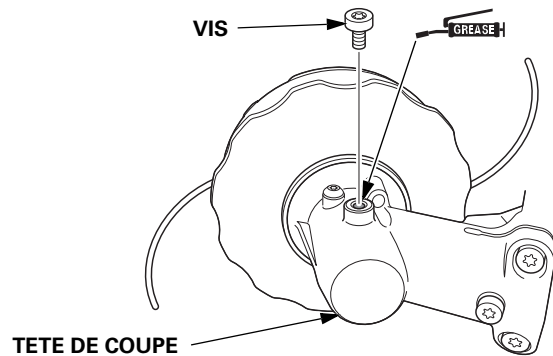
### ▲AVERTISSEMENT

- Afin d'éviter des blessures graves, vérifier que le contacteur moteur est en position **ARRET** pour empêcher un démarrage accidentel.

### ATTENTION :

- Porter des gants résistants pour se protéger les mains lors des réparations autour de l'accessoire de coupe.

1. Retirer la vis de la tête de coupe.
2. Appliquer de la graisse jusqu'à ce qu'elle déborde de la tête de coupe, tout en tournant lentement l'accessoire de coupe. Quantité maximale de graisse :  
Types UEET, LEET : 14,5 g  
Type XEET : 19,0 g
3. Reposer correctement la vis.  
Serrer fermement la vis. Couple de serrage de la vis : 6,9 N·m (0,7 kgf·m)  
Graisse recommandée : Lithium Complex Moly, grade NLGI 2= pénétration d'environ 290 (Équivalent de Molynoc No.2 JXTG Nippon Oil & Energy Corporation)





## TRANSPORT

### ATTENTION :

- Pour éviter des blessures, monter la housse sur l'organe de coupe en acier avant de transporter la débroussailleuse.

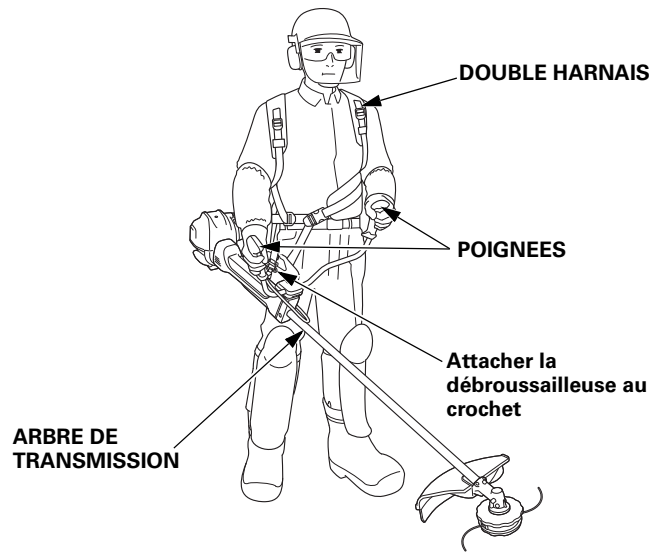
Pour monter la housse de l'organe de coupe, se reporter à la page 14.

Toujours placer le contacteur moteur sur la position ARRET. S'assurer que le bouchon de carburant est bien serré et que le moteur est froid.

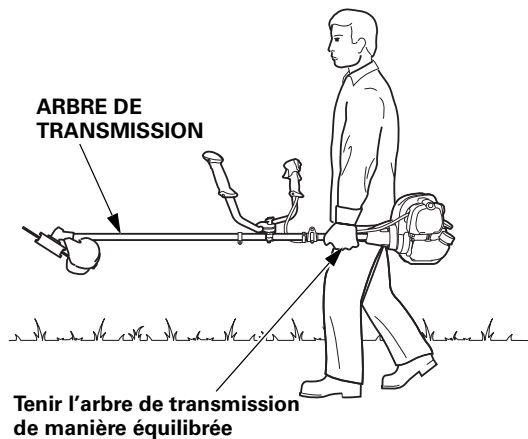
### TRANSPORT DE LA DEBROUSSAILLEUSE A LA MAIN

Attacher la débroussailleuse au crochet du double harnais et tenir les poignées, ou tenir l'arbre de transmission pour porter la machine de manière équilibrée.

#### Transport par les poignées :



#### Transport en tenant l'arbre de transmission :



### TRANSPORT DE LA DEBROUSSAILLEUSE DANS UN VEHICULE

Attacher la débroussailleuse à l'horizontale et s'assurer qu'elle ne bougera pas ou ne tombera pas. Pour les types UEET et XEET, replier le guidon si nécessaire (voir page 13).

## REMISAGE

Une préparation au remisage appropriée est essentielle pour maintenir la débroussailleuse en bon état de fonctionnement et lui conserver son bel aspect. Les étapes suivantes aideront à éviter l'apparition de rouille et de corrosion sur la débroussailleuse.

### ATTENTION :

- Si la débroussailleuse a fonctionné, le moteur sera très chaud ; le laisser refroidir avant de remiser la machine.
- Placer la débroussailleuse sur une surface horizontale et s'assurer que le contacteur moteur est sur la position ARRET afin que le moteur ne démarre pas accidentellement.

### NETTOYAGE DE LA DEBROUSSAILLEUSE

Nettoyer toutes les surfaces extérieures, faire les retouches de peinture nécessaires et enduire toutes les parties susceptibles de rouiller d'une légère couche d'huile.

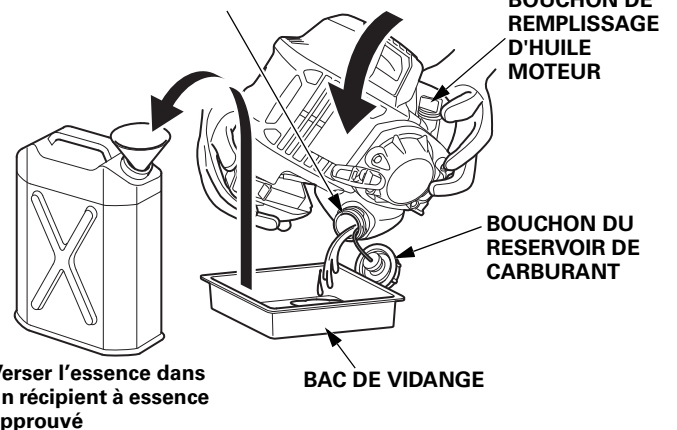
### VIDANGE DU CARBURANT

#### ▲ AVERTISSEMENT

- L'essence est hautement inflammable et explosive dans certaines conditions.
- Réaliser l'entretien dans un endroit bien aéré avec le moteur arrêté. Ne pas fumer ou ne pas autoriser de flammes ou étincelles dans la zone où le plein du moteur est fait ou de stockage de l'essence.
- Veiller à ne pas renverser de carburant au moment de remplir le réservoir. L'essence répandue ou les vapeurs d'essence peuvent s'enflammer. Si du carburant est répandu, vérifier que la zone est sèche avant de démarrer le moteur.
- Éviter un contact répété ou prolongé avec la peau, ainsi que l'inhalation de vapeurs.
- TENIR HORS DE PORTEE DES ENFANTS.

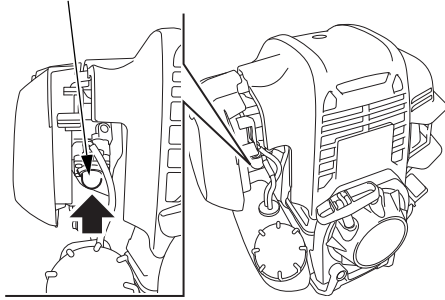
1. Vérifier que le bouchon de remplissage d'huile moteur est bien serré.
2. Enlever le bouchon du réservoir de carburant et vidanger le carburant dans le récipient en inclinant le moteur vers la goulotte de remplissage de carburant.

#### GOULOTTE DE REMPLISSAGE DE CARBURANT



- Appuyer sur la pompe d'amorçage plusieurs fois jusqu'à ce que l'ensemble du carburant soit retourné dans le réservoir de carburant.

#### POMPE D'AMORCE



- Incliner de nouveau le moteur vers la goulotte de remplissage de carburant pour vidanger dans le récipient le carburant restant dans le réservoir.
- Serrer fermement le bouchon du réservoir de carburant après avoir complètement vidangé le carburant.
- Démarrer le moteur et le laisser tourner jusqu'à ce qu'il s'arrête en raison d'un manque de carburant.

#### REMARQUE :

- De l'essence détériorée peut endommager le moteur de manière imprévisible.
- L'essence doit être stockée dans un récipient propre utilisé exclusivement pour l'essence.
- L'essence doit être stockée dans un endroit frais et bien ventilé.
- Ne pas remiser ou transporter de l'essence dans des flacons en PET [poly (téréphtalate d'éthylène)].

#### REPLACEMENT DE L'HUILE MOTEUR

Pour le remplacement de l'huile moteur, se reporter à la page 31.

#### ATTENTION :

Le moteur sera très chaud s'il a tourné. Le laisser refroidir avant de remplacer l'huile moteur.

#### NETTOYAGE DU FILTRE A AIR

Pour nettoyer le filtre à air, consulter la page 31.

#### TRACTION LENTE DE LA POIGNEE DE LANCEMENT

Tirer doucement la poignée de lancement jusqu'à ce que l'on ressent une résistance. Le remisage dans cette position empêche la corrosion interne.

#### APPLICATION D'HUILE SUR L'ORGANE DE COUPE EN ACIER

Appliquer une légère pellicule d'huile sur l'organe de coupe en acier pour empêcher la formation de rouille.

#### REMISAGE

Fermer l'étrangleur (déplacer le levier d'étrangleur vers le haut) et monter le couvercle de l'organe de coupe. Pour les types UEET et XEET, replier le guidon si nécessaire (voir page 13).

Couvrir la débroussailleuse pour empêcher le dépôt de poussière.

En cas de remisage en position verticale, le côté moteur doit être en bas pour empêcher la chute de la débroussailleuse pendant le remisage.

Avant d'utiliser la débroussailleuse, effectuer correctement les contrôles avant utilisation.

## DEPISTAGE DES PANNES

### LE MOTEUR NE DEMARRE PAS

- |   |         |
|---|---------|
| 1. Pas de carburant.  | Page 15 |
| 2. Contacteur moteur sur ARRET.   | Page 23 |
| 3. Capuchon de bougie mal fixé ou détaché.  | -       |
| 4. Bougie défectueuse ou écartement des électrodes incorrect.                     | -       |
| 5. Moteur noyé. Déposer la bougie, la sécher à l'aide d'un chiffon et la reposer. | -       |
| 6. Filtre à carburant sale. Le nettoyer.  | Page 32 |

### DEMARRAGE DIFFICILE OU PERTE DE PUISSANCE

- |  |         |
|--|---------|
| 1. Filtre à air sale.  | Page 31 |
| 2. Impuretés dans le réservoir de carburant.                                 | Page 32 |
| 3. Eau dans le réservoir de carburant et le carburant.                       | Page 32 |
| 4. Événement du bouchon du réservoir de carburant et/ou carburateur obstrué. | -       |
| 5. Moteur chaud, étrangleur fermé. Ouvrir l'étrangleur.                      | Page 23 |

### FONCTIONNEMENT IRREGULIER

- |   |         |
|---|---------|
| 1. Bougie défectueuse ou écartement des électrodes incorrect. | -       |
| 2. Filtre à air sale.   | Page 31 |

### SURCHAUFFE DU MOTEUR

- |  |         |
|--|---------|
| 1. Écartement des électrodes incorrect.                        | -       |
| 2. Filtre à air sale.  | Page 31 |
| 3. Ailettes de refroidissement du moteur obstruées.            | -       |
| 4. Niveau d'huile trop bas.                                    | Page 14 |
| 5. Poulie du démarreur encrassée par des déchets d'herbe, etc. | -       |

### LA DEBROUSSAILLEUSE VIBRE DE MANIERE EXCESSIVE

- |  |   |
|--|---|
| 1. Déséquilibre de l'organe de coupe en acier ou montage incorrect de l'accessoire de coupe. | - |
| 2. Boulons du moteur desserrés.  | - |

### LA POIGNEE VIBRE DE MANIERE EXCESSIVE (TYPE XEET)

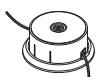


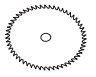




- |   |   |
|---|---|
| 1. La boîte flottante n'est plus efficace car le support en caoutchouc glisse.        | - |
| 2. La boîte flottante n'est plus efficace car le support en caoutchouc est endommagé. | - |





Pour les causes possibles non répertoriées dans le présent manuel, contacter son concessionnaire réparateur.

## ACCESSOIRES

### PIECES COURANTES, CONSOMMABLES

Divers accessoires sont fournis avec la machine ou sont disponibles en option, selon le modèle.  
Si ces accessoires ou pièces sont nécessaires, contacter son concessionnaire réparateur.

	UEET	LEET	XEET
Tonte et nettoyage			
	Élément	Organe de coupe flexible	
	Réf.	72560-VL6-P31	72560-VR4-E21
Haies d'épineux et broussailles			
	Élément	Organe de coupe en acier standard (3 dents)	
	Réf.	72511-VL6-P31	72511-VR4-E21
Grandes étendues d'herbe			
	Élément	Organe de coupe en acier en option (4 dents)	
	Réf.	72511-VF9-E32 (Ø230 mm) 72512-VL6-P31 (Ø255 mm)	
Broussailles et buissons d'épineux (en option pour les types UEET et XEET)			
	Élément	Organe de coupe en acier en option (scie circulaire)	
	Réf.	72511-VL6-H31	72511-VL6-H31
Protection d'accessoire de coupe standard pour organe de coupe flexible et organe de coupe en acier (3 et 4 dents)			
	Élément	Protection de l'accessoire de coupe standard	
	Réf.	76240-VR4-E01	
Protection d'accessoire de coupe en option pour organe de coupe en acier (scie circulaire)			
	Élément	Protection de l'accessoire de coupe en option	
	Réf.	76247-VL6-J31	76247-VL6-J31
Housse d'organe de coupe en acier (3 dents) des types UEET et LEET et de tous les organes de coupe en acier en option			
	Élément	Housse de l'organe de coupe	
	Réf.	72534-VJ3-681	
Housse de l'organe de coupe en acier (3 dents) du type XEET			
	Élément	Housse de l'organe de coupe	
	Réf.	72534-VR4-E21	

Pièces courantes		
	Élément	Filtre à air
	Réf.	17211-Z3F-000
	Élément	Bougie
	Réf.	31915-Z0H-003
	Élément	Câble de lanceur
	Réf.	28462-ZM3-003
Consommables		
	Élément	Huile moteur
	Réf.	08221-888-010MP

Les illustrations de ce tableau sont des références visuelles. Le produit réel peut avoir un aspect différent.

### ▲ AVERTISSEMENT

**Pour une question de sécurité, il est formellement interdit de monter un accessoire autre que ceux répertoriés ci-dessus et spécialement conçus pour le modèle et le type de la débroussailleuse utilisée.**

### MISE AU REBUT

Afin de protéger l'environnement, ne pas mettre au rebut ce produit, la batterie, l'huile moteur, etc. avec les déchets ménagers. Respecter les lois et réglementations locales ou contacter un concessionnaire Honda agréé pour la mise au rebut.

### INFORMATIONS TECHNIQUES

#### MODIFICATION A APPORTER AU CARBURATEUR POUR UN FONCTIONNEMENT A HAUTE ALTITUDE

A haute altitude, le mélange air/carburant standard du carburateur est trop riche. Les performances diminuent et la consommation en carburant augmente. Un mélange très riche salit aussi les bougies et provoque des démarrages difficiles. Un fonctionnement à une altitude différente de celle à laquelle ce moteur a été certifié pendant une durée prolongée peut augmenter les émissions. Les performances à haute altitude peuvent être améliorées grâce à des modifications spécifiques apportées au carburateur. Si la débroussailleuse est toujours utilisée à une altitude supérieure à 1 500 mètres, demander au concessionnaire réparateur de réaliser cette modification du carburateur. Ce moteur, quand il est utilisé à haute altitude avec les modifications du carburateur pour une utilisation en haute altitude, sera conforme aux normes sur les émissions tout au long de sa durée de vie utile. Même avec la modification du carburateur, la puissance du moteur diminue d'environ 3,5 % tous les 300 mètres d'altitude supplémentaire. L'effet de l'altitude sur la puissance du moteur serait plus important si aucune modification n'était apportée au carburateur.

#### ATTENTION :

Quand le carburateur a été modifié pour un fonctionnement à haute altitude, le mélange air/carburant est trop pauvre pour être utilisé à basse altitude. Un fonctionnement à une altitude inférieure à 1 500 mètres avec un carburateur modifié peut provoquer la surchauffe du moteur et causer de graves dommages du moteur. Pour une utilisation à basse altitude, demander au concessionnaire réparateur de rétablir les réglages d'usine d'origine du carburateur.

## CARACTERISTIQUES TECHNIQUES

MODELE		UMK450E		
TYPE		UEET	LEET	XEET
Code descriptif		HAMF	HANF	HAMF
Fonction		Taille de broussailles		
<b>CHASSIS</b>				
Type de poignée		Guidon	Poignée en forme d'anneau	Guidon
Type d'embrayage		Embrayage centrifuge		
Accessoire de coupe (organe de coupe flexible)	Type	Tête de coupe à fil de nylon, Tap & Go		
	Diamètre du corps	444 mm		
Accessoire de coupe (organe de coupe en acier)	Type	Lame 3 dents		
	Diamètre global	255 mm		303 mm
Dimensions Longueur x largeur x hauteur	Organe de coupe flexible	1870 x 670 x 520 mm	1870 x 385 x 280 mm	1880 x 670 x 585 mm
	Organe de coupe en acier (3 dents)	1905 x 670 x 510 mm	1905 x 385 x 280 mm	1925 x 670 x 570 mm
Masse sèche (sans accessoire de coupe, huile et carburant)		8,1 kg	7,7 kg	9,4 kg
Nombre de rotations de l'accessoire de coupe (rotation maximale lorsque la machine tourne à vide)	Organe de coupe flexible	7 100 min <sup>-1</sup> (tr/min)	7 100 min <sup>-1</sup> (tr/min)	7 400 min <sup>-1</sup> (tr/min)
	Organe de coupe en acier (3 dents)	8 150 min <sup>-1</sup> (tr/min)	8 150 min <sup>-1</sup> (tr/min)	7 900 min <sup>-1</sup> (tr/min)
<b>MOTEUR</b>				
Modèle		GX50T		
Code descriptif		GCCFT		
Type		4 temps, arbre à cames en tête, monocylindre, refroidi par air pulsé		
Cylindrée		47,9 cm <sup>3</sup>		
Alésage/Course		43,0 x 33,0 mm		
Puissance nette* (SAE J1349)		1,4 kW (2,0 PS)/7 000 min <sup>-1</sup> (tr/min)		
Couple net max. du moteur* (SAE J1349)		2,2 N·m (0,22 kgf·m)/5 000 min <sup>-1</sup> (tr/min)		
Vitesse maximale à vide		MIN. 10 000 min <sup>-1</sup> (tr/min)		
Régime de ralenti		3 100±200 min <sup>-1</sup> (tr/min)		
Huile moteur		Huile moteur 4 temps, classification de service API SE ou ultérieure (ou équivalente), SAE 10W-30		
Contenance en huile		130 cm <sup>3</sup> (0,13 L)		
Carburant		Essence sans plomb E10		
Capacité du réservoir de carburant		630 cm <sup>3</sup> (0,63 L)		
Allumage		Magnéto à transistors		
Marque et type de bougie		NGK CMR5H		
Carburateur		Membrane		
Émissions de dioxyde de carbone (CO2)**		Consulter la « CO2 Information List » sur <a href="http://www.honda-engines-eu.com/co2">www.honda-engines-eu.com/co2</a>		

\* La puissance nominale du moteur indiquée dans ce document est la puissance de sortie nette testée sur un moteur de série du modèle GX50T et mesurée conformément à SAE J1349 à 7 000 min<sup>-1</sup> (tr/min) (puissance nette) et à SAE J1349 et 5 000 min<sup>-1</sup> (tr/min) (Couple net max.).

La puissance des moteurs de grande série peut varier par rapport à la valeur indiquée. La puissance réelle du moteur équipant la machine au final varie en fonction de nombreux facteurs, notamment le régime de service du moteur en utilisation, les facteurs environnementaux, l'entretien, et d'autres variables.

\*\* La valeur de CO2 mesurée provient de tests réalisés dans le cadre d'un cycle de test fixe en laboratoire sur un moteur (parent) représentatif du type de moteur (famille de moteur) et ne doit supposer ou exprimer aucune garantie de performances d'un moteur spécifique.

<b>BRUIT</b>							
Types		Éléments	Niveau équivalent de pression acoustique au poste opérateur (2006/42/EC, ISO 22868: 2011) (dB(A))		Niveau de puissance acoustique mesurée (2000/14/EC) (dB(A))		Niveau de puissance acoustique garantie (2000/14/EC) (dB(A))
				Incertitude de mesure (dB(A))		Incertitude de mesure (dB(A))	
UEET	Organe de coupe flexible		96,0	2,3	108,4	2,3	112
	Organe de coupe en acier (3 dents)		94,1	1,6	103,0	1,6	112
	Organe de coupe en acier (4 dents, Ø255 mm) (en option)		94,2	2,3	103,1	2,3	112
	Organe de coupe en acier (4 dents, Ø230 mm) (en option)		94,3	1,9	103,1	1,9	112
	Organe de coupe en acier (scie circulaire) (en option)		94,7	6,4	106,1	6,4	112
LEET	Organe de coupe flexible		94,9	1,3	108,8	1,3	112
	Organe de coupe en acier (3 dents)		92,7	1,4	103,1	1,4	112
	Organe de coupe en acier (4 dents, Ø255 mm) (en option)		93,2	1,3	103,1	1,3	112
	Organe de coupe en acier (4 dents, Ø230 mm) (en option)		93,1	1,5	103,0	1,5	112
XEET	Organe de coupe flexible		97,0	1,8	109,2	1,8	112
	Organe de coupe en acier (3 dents)		95,4	1,4	103,4	1,4	112
	Organe de coupe en acier (4 dents, Ø255 mm) (en option)		94,5	1,2	102,8	1,2	112
	Organe de coupe en acier (4 dents, Ø230 mm) (en option)		95,1	1,6	102,6	1,6	112
	Organe de coupe en acier (scie circulaire) (en option)		94,7	4,1	105,7	4,1	112

<b>Vibrations</b>				
Types et positions de mesure			Niveau équivalent de vibrations (2006/42/EC, ISO 22867: 2011) (m/s <sup>2</sup> )	
				Incertitude de mesure (m/s <sup>2</sup> )
UEET	Organe de coupe flexible	Côté gauche	3,58	0,50
		Côté droit	3,80	0,50
	Organe de coupe en acier (3 dents)	Côté gauche	4,06	1,00
		Côté droit	3,39	0,90
	Organe de coupe en acier (4 dents, Ø255 mm) (en option)	Côté gauche	5,49	1,40
		Côté droit	3,96	1,00
	Organe de coupe en acier (4 dents, Ø230 mm) (en option)	Côté gauche	3,65	1,20
		Côté droit	2,54	0,60
Organe de coupe en acier (scie circulaire) (en option)	Côté gauche	6,80	1,60	
	Côté droit	4,52	1,00	
LEET	Organe de coupe flexible	Arrière	5,90	0,90
		Avant	4,77	1,40
	Organe de coupe en acier (3 dents)	Arrière	5,58	0,50
		Avant	4,89	2,10
	Organe de coupe en acier (4 dents, Ø255 mm) (en option)	Avant	5,66	0,80
		Arrière	5,91	0,40
	Organe de coupe en acier (4 dents, Ø230 mm) (en option)	Avant	4,18	1,30
		Arrière	5,81	0,80
XEET	Organe de coupe flexible	Côté gauche	2,30	0,60
		Côté droit	1,80	0,20
	Organe de coupe en acier (3 dents)	Côté gauche	2,45	0,48
		Côté droit	1,85	0,27
	Organe de coupe en acier (4 dents, Ø255 mm) (en option)	Côté gauche	2,25	0,41
		Côté droit	1,87	0,35
	Organe de coupe en acier (4 dents, Ø230 mm) (en option)	Côté gauche	2,30	0,64
		Côté droit	1,93	0,44
Organe de coupe en acier (scie circulaire) (en option)	Côté gauche	2,36	0,50	
	Côté droit	2,15	0,20	





## VORWORT

Vielen Dank, dass Sie sich für einen Freischneider von Honda entschieden haben.

Diese Anleitung enthält Informationen zum Betrieb und zur Wartung des Honda Freischneiders UMK450E.

Honda France manufacturing S. A. S. behält sich das Recht vor, jederzeit und ohne Vorankündigung Änderungen vornehmen zu dürfen, ohne hierdurch irgendeine Verpflichtung einzugehen.

Die Abbildungen in dieser Anleitung zeigen das Modell, das am besten zum jeweiligen Thema passt.

Alle weiteren Abbildungen basieren auf Typ UMK450E XEET.

Die Abbildungen des Schneidwerkzeugs zeigen das Modell, das am besten zum jeweiligen Thema passt.

Alle weiteren Abbildungen basieren auf flexiblen Schneidmitteln oder Stahlschneidmitteln (3-zahlig).

Die Abbildungen in dieser Anleitung können sich von Ihrem Modell unterscheiden.

Kein Teil dieser Veröffentlichung darf ohne schriftliche Genehmigung reproduziert werden.

Dieses Handbuch ist als permanenter Bestandteil des Freischneiders zu betrachten und sollte bei einem Verkauf des Freischneiders dem neuen Besitzer übergeben werden.

### SICHERHEITSHINWEISE

Bitte achten Sie auf Erklärungen, denen folgende Schlüsselwörter vorangestellt sind;

#### ▲ WARNUNG

Missachtung der Anweisung kann zum Tod oder zu schweren Verletzungen führen.

#### VORSICHT:

Missachtung kann zu Verletzungen führen.

#### HINWEIS:

Hilfreiche Informationen.

### BEDIENUNGSANLEITUNG LESEN

Lesen Sie sich die Anleitung sorgfältig durch, bevor Sie den Freischneider verwenden. Machen Sie sich mit der korrekten Verwendung und allen Bedienelementen vertraut. Machen Sie sich damit vertraut, wie man den Motor im Notfall schnell ausschaltet (siehe Seite 26).

Lesen und verstehen Sie die Sicherheitshinweise auf Seite 2 bis 4 vor dem ersten Gebrauch des Freischneiders.

Honda Freischneider wurden für sicheres und verlässliches Arbeiten entworfen, wenn sie gemäß der Anleitung verwendet werden.

#### ▲ WARNUNG

**Die Bedienung eines Freischneiders erfordert besondere Maßnahmen, um die Sicherheit des Benutzers und anderer Personen zu gewährleisten. Lesen und verstehen Sie diese Anleitung, bevor Sie mit dem Freischneider arbeiten. Eine Nichtbefolgung der Anweisungen kann zu Verletzungen oder Beschädigungen des Geräts führen.**

Wenden Sie sich mit Problemen oder Fragen zu Ihrem Freischneider jederzeit an Ihren Wartungshändler.

2019 - Honda France Manufacturing S.A.S. - Pôle 45 - Rue des Châtaigniers  
45140 ORMES - FRANKREICH - Alle Rechte vorbehalten

3RVR46000  
00X3R-VR4-6000

0919

Gedruckt in Frankreich

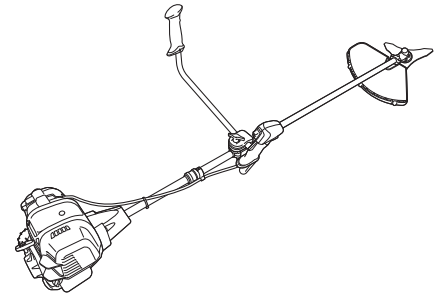
# HONDA

## BEDIENUNGSANLEITUNG

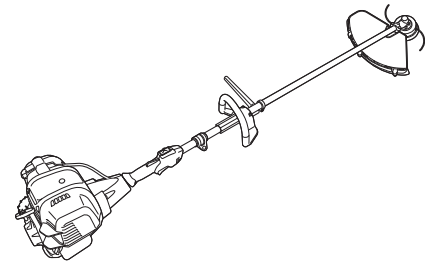
(Originalanleitung)

### UMK450E Freischneider

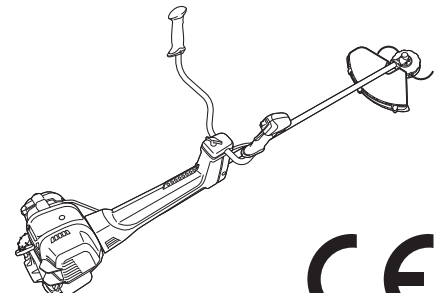
TYP UEET



TYP LEET



TYP XEET



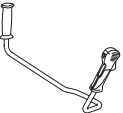



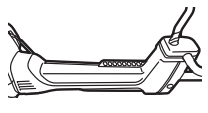
DEUTSCH

### INHALT

VORWORT .....	1
DAS GERÄT IDENTIFIZIEREN .....	2
SICHERHEITSHINWEISE .....	2
POSITIONEN DER SICHERHEITSETIKETTEN .....	4
IDENTIFIKATION DES GERÄTS .....	5
IDENTIFIKATION DER KOMPONENTEN .....	6
MONTAGEANLEITUNG.....	8
BEDIENELEMENTE UND KOMPONENTEN .....	11
KONTROLLEN VOR DER VERWENDUNG.....	14
STARTEN DES MOTORS.....	23
BESCHNITT .....	24
STOPPEN DES MOTORS.....	26
WARTUNG .....	27
TRANSPORT.....	33
LAGERUNG .....	33
FEHLERBEHEBUNG.....	34
ZUBEHÖR .....	35
ENTSORGUNG.....	35
TECHNISCHE INFORMATIONEN .....	35
SPEZIFIKATIONEN.....	36
Adressen der wichtigsten Honda-Haupthändler.....	38
"EG-Konformitätserklärung" INHALTSÜBERSICHT.....	39

## DAS GERÄT IDENTIFIZIEREN

Die Modellbezeichnung (Buchstabenreihe) des Freischneiders befindet sich auf dem "Typenschild".

	UEET	LEET	XEET
 Handgriff	•*		•*
 Einhandbügel		•	
 Flexibles Schneidmittel	•*	•*	•*
 Stahlschneidmittel (3-zahbig)	•*	•*	•*
 Antivibrationssystem			•

- \* Die Spezifikationen können sich je nach Modell unterscheiden.  
\* Hinweise zu optionalen Anwendungsmöglichkeiten des Schneidwerkzeugs finden Sie auf Seite 35.

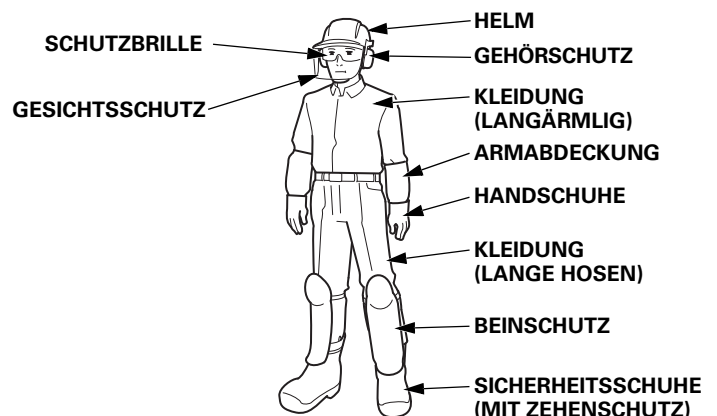
## SICHERHEITSHINWEISE

### PFLICHTEN DES BEDIENERS

#### ▲ WARNUNG

- Verwenden Sie den Freischneider nie, wenn Sie müde oder krank sind oder unter dem Einfluss von Alkohol oder Drogen stehen.
- Jedes Maschinenteil ist eine potentielle Gefahrenquelle, wenn die Maschine unter unnormalen Bedingungen verwendet oder die Wartung nicht ordnungsgemäß durchgeführt wird.
- Versuchen Sie niemals, den Freischneider umzubauen. Dies kann zu Unfällen oder Beschädigungen des Freischneiders und der Zubehöreile führen. Manipulationen des Motors führen zum Erlöschen der EU-Typenzulassung des Motors.
  - Bauen Sie keine Verlängerung an den Schalldämpfer an.
  - Bauen Sie das Ansaugsystem nicht um.
- Lesen Sie die Bedienungsanleitung aufmerksam durch. Machen Sie sich mit den Bedienelementen und dem bestimmungsgemäßen Gebrauch des Freischneiders vertraut. Machen Sie sich damit vertraut, wie man den Motor im Notfall schnell ausschaltet.
- Verwenden Sie den Freischneider für den vorgesehenen Verwendungszweck, der das Trimmen und Beschneiden von Gebüsch ist. Jede andere Verwendung kann gefährlich sein oder den Freischneider beschädigen. Verwenden Sie den Freischneider nicht als eine Hippe.
- Lassen Sie niemals zu, dass Kinder oder Personen, die diese Bedienungsanleitung nicht kennen, den Freischneider benutzen. Die lokal geltenden Vorschriften können das Alter des Bedieners einschränken.
- Wenn Sie den Freischneider an Dritte verleihen oder verkaufen, erklären Sie dieser Person, wie das Produkt zu verwenden ist und weisen Sie darauf hin, dass die Bedienungsanleitung vor der Verwendung sorgfältig zu lesen ist.
- Verwenden Sie den Freischneider niemals, wenn:
  - Menschen, insbesondere Kinder, oder Haustiere in der Nähe sind.

- Die Maschine darf nicht verwendet werden, wenn der Bediener müde oder krank ist oder Medikamente eingenommen oder Drogen, Alkohol oder gefährliche Substanzen konsumiert hat, die seine Reflexe und Konzentrationsfähigkeit beeinträchtigen können.
- Halten Sie Menschen und Tiere während des Betriebs in einem Abstand von mindestens 15 m von dem Bediener. Nehmen Sie bitte zur Kenntnis, dass auch eine Person, die dem Bediener assistiert, mindestens einen Abstand von 15 m zu dem Bediener einhalten sollte. Wir empfehlen, ein Signal für den Motorstopp und andere Signale zwischen dem Bediener und dem Assistenten im Voraus zu vereinbaren und diese aus Sicherheitsgründen während dem Betrieb zu verwenden.
- Bitte beachten Sie, dass der Bediener oder Verwender für Unfälle anderer Personen oder Schäden, die an deren Eigentum entstehen, verantwortlich ist.
- Bei der Benutzung des Freischneiders sind stets die folgende Schutzkleidung und die folgenden Schutzvorrichtungen zu verwenden.
  - Schutzkleidung
    - Tragen Sie geeignete Kleidung mit langen Ärmeln und langen Hosen. Die Kleidung muss Ihnen passen und mit Knöpfen oder einem Reißverschluss sicher zu schließen sein. Lassen Sie Ärmel oder den unteren Teil eines Shirts/ einer Jacke nicht lose hängen.
    - Tragen Sie ebenso die Armabdeckungen.
    - Tragen Sie während dem Betrieb keine Kleidung mit Bändern, Schnüren und/oder Kordeln, lose Kleidung, Krawatten, Ketten etc. Diese könnten sich in Pflanzen und in dem Freischneider verfangen, was Verletzungen verursachen kann.
    - Wenn Sie lange Haare haben, binden Sie diese zurück und achten Sie darauf, dass sie nicht weiter als bis zu den Schultern herabhängen.
  - Schutzvorrichtungen
    - \* **Schutzbrille**  
Tragen Sie eine Schutzbrille oder einen anderen Augenschutz, um Ihre Augen vor Kleinteilen zu schützen, die durch das rotierende Schneidwerkzeug hochgeschleudert werden.
    - \* **Helm**  
Tragen Sie einen Helm, um Ihren Kopf vor überhängenden Zweigen und herabfallenden Materialien zu schützen.
    - \* **Gesichtsschutz**  
Tragen Sie einen Gesichtsschutz, um Ihr Gesicht vor Kleinteilen zu schützen, die durch das rotierende Schneidwerkzeug hochgeschleudert werden.
    - \* **Gehörschutz**  
Tragen Sie Ohrschützer, Ohrstöpsel oder einen anderen Gehörschutz, um Ihre Ohren vor dem Lärm zu schützen.
    - \* **Handschuhe**  
Tragen Sie Handschuhe, um Ihre Hände zu schützen.
    - \* **Sicherheitsschuhe**  
Tragen Sie Sicherheitsschuhe mit einer rutschfesten Sohle und Zehenschutz, um Ihre Füße vor herumfliegenden Kleinteilen zu schützen. Verwenden Sie den Freischneider nicht, wenn Sie barfuß sind oder offene Sandalen tragen. Tragen Sie ebenso einen Beinschutz.
    - \* **Staubmaske**  
Wir empfehlen das Tragen einer Staubmaske, wenn Sie an allergischem Schnupfen wie Heuschnupfen etc. leiden. Staubmasken sind in Apotheken erhältlich und helfen dabei, die Menge der Pollen zu minimieren, die Sie einatmen.



- Führen Sie vor jeder Verwendung des Freischneiders eine Sichtprüfung auf Beschädigungen oder lockere Befestigungsteile durch, die auch das Schneidwerkzeug einschließt.
- Bedienen Sie die Maschine niemals bei schlechtem Wetter wie Gewitter oder einem Sturm; unterbrechen Sie in diesem Fall sofort den Betrieb.
- Während dem Betrieb sollten Sie stets gehen und niemals schnell laufen.
- Vermeiden Sie den Einsatz des Freischneiders an steilen Steigungen. Steile Steigungen sind sehr rutschig, Sie könnten daher ausrutschen.
- Bedienen Sie den Freischneider niemals, wenn die Schutzabdeckung des Schneidwerkzeugs, Etiketten oder andere Teile entfernt wurden. Beachten Sie, dass die Schutzabdeckung des Schneidwerkzeugs für den Schutz des Bedieners vor Kleinteilen vorgesehen ist, die durch das Schneidwerkzeug hochgeschleudert werden können. Bedienen Sie den Freischneider niemals, wenn die Schutzabdeckung des Schneidwerkzeugs entfernt wurde, oder bevor die Schutzabdeckung des Schneidwerkzeugs sicher in der korrekten Position montiert wurde.
- Montieren Sie keine falschen Teile und nehmen Sie keine Änderungen an dem Freischneider vor, da dies zu Körperverletzungen und/oder Sachbeschädigungen führen kann. Verwenden Sie den Schneidaufsatz, der für Ihr Modell und Ihre Anwendung vorgesehen ist.
- Bevor Sie den Motor starten, stellen Sie sicher, dass das Schneidwerkzeug nicht in Kontakt mit dem Boden oder einem Hindernis kommt. Dies könnte ansonsten dazu führen, dass Sie die Kontrolle über den Freischneider verlieren.
- Starten Sie den Motor vorsichtig gemäß der Anleitung, wobei sich Ihre Hände und Füße nicht in der Nähe des Schneidwerkzeugs befinden dürfen.
- Starten Sie den Freischneider auf einer ebenen Fläche, die frei von hohem Gras oder Hindernissen ist.
- Heben Sie das Schneidwerkzeug während dem Betrieb nicht über Kniehöhe an. Kleinteile, die durch das drehende Schneidwerkzeug hochgeschleudert werden, könnten Sie in den Augen oder im Gesicht treffen und so Verletzungen verursachen.
- Tragen Sie den Freischneider niemals, während sich das Schneidwerkzeug dreht. Bevor Sie den Freischneider tragen, vergewissern Sie sich, dass Sie den Motor abgestellt haben, und prüfen Sie, dass sich das Schneidwerkzeug nicht mehr dreht.
- Schalten Sie den Motor durch Verstellen des Motorschalters in die Stellung AUS in den folgenden Fällen ab:
  - Bevor Sie Arbeiten um das Schneidwerkzeug herum vornehmen.
  - Bevor Sie den Freischneider überprüfen, reinigen oder daran arbeiten.
  - Nachdem Sie einen Fremdkörper getroffen haben. Überprüfen Sie den Freischneider auf Beschädigungen und nehmen Sie Reparaturen vor, bevor Sie den Freischneider erneut starten und bedienen.
  - Wenn der Freischneider beginnt, unnormale Vibrationen zu verursachen. Prüfen Sie unverzüglich, was die Vibration verursacht, und führen Sie die erforderlichen Reparaturen durch.
  - Wenn Sie den Freischneider unbeaufsichtigt lassen.
  - Bevor Sie Benzin nachfüllen.
  - Wenn sich eine Person oder ein Haustier nähert.
  - Schalten Sie den Motor sofort ab, wenn der Freischneider plötzlich eine unnormale Vibration aufweist. Eine plötzliche Vibration deutet auf beschädigte rotierende Teile oder lose Befestigungsteile hin. Suchen Sie nach dem Grund des Problems und schalten Sie den Motor nicht wieder ein, bevor die Reparatur durchgeführt wurde.
  - Wenn sich Drähte in dem drehenden Schneidwerkzeug verfangen und umherfliegen. Entfernen Sie die Drähte, nachdem das Schneidwerkzeug aufgehört hat, sich zu drehen.
  - Bevor Sie den Freischneider auf dem Boden absetzen, prüfen Sie ebenfalls, ob das Schneidwerkzeug aufgehört hat, sich zu drehen. Beachten Sie, dass sich das Schneidwerkzeug kurz nach dem Loslassen des Gasregulierungshebels und während eines Leerlaufs des Motors durch das Trägheitsmoment weiterdreht.
- Entfernen Sie regelmäßig Gras und Gestrüpp, das sich verfangen hat, von dem Schneidwerkzeug (im Falle einer Blockierung reinigen Sie den Bereich des Schneidwerkzeugs oder der Schutzabdeckung des Schneidwerkzeugs und achten Sie darauf, den Motor auszuschalten).
- Bei einer Maschine mit einer Kupplung prüfen Sie regelmäßig, dass das Schneidwerkzeug stehenbleibt, wenn sich der Motor im Leerlauf befindet.
- Stellen Sie sicher, dass die Handgriffe sauber und trocken, frei von Öl und anderen Verschmutzungen sind.
- Der Freischneider weist eine Störung auf, wenn sich der Motor im Leerlauf befindet, indem der Gashebel losgelassen wurde, das Schneidwerkzeug sich jedoch weiterhin dreht; in diesem Fall ist eine Anpassung der Leerlaufgeschwindigkeit vorzunehmen. Wenden Sie sich an Ihren Wartungshändler.
- Prüfen Sie, dass alle Muttern, Bolzen und Schrauben fest angezogen sind, um sicherzustellen, dass der Freischneider sicher betrieben werden kann. Eine regelmäßige Wartung ist für die Sicherheit des Benutzers und für eine hohe Leistungsfähigkeit der Maschine von wesentlicher Bedeutung.
- Verwenden Sie den Freischneider nicht mit abgenutzten oder beschädigten Teilen. Die Teile sind zu ersetzen oder zu reparieren. Ersetzen Sie abgenutzte oder beschädigte Teile mit Originalteilen von Honda oder gleichwertigen Teilen. Teile mit nicht gleichwertiger Qualität können die Maschine beschädigen und stellen für Sie ein Sicherheitsrisiko dar.
- Passen Sie die Halteposition Ihres Freischneiders an. Achten Sie darauf, dass Sie die Halteposition anpassen, wenn der Motor gestoppt wurde. Positionieren Sie den Doppelgurt so, dass der Quick-Release-Mechanismus auf Ihrer Hüfte liegt. Haken Sie den Freischneider in den Doppelgurt ein. Stellen Sie die Länge des Doppelgurts so ein, dass das Schneidwerkzeug parallel und in einem Abstand zum Boden liegt. Beachten Sie, dass es schwierig sein kann, den Freischneider in der korrekten Position zu halten, wenn Sie sehr groß sind. Bedienen Sie den Freischneider nicht, wenn sich das Schneidwerkzeug nahe Ihrer Füße befindet, wenn Sie den Freischneider in der korrekten Position halten.
- Prüfen Sie, dass der Schwerpunkt des Freischneiders zwischen der Vorder- und Hinterseite liegt, damit Sie die Maschine ordnungsgemäß steuern können, und um übermäßigen Ermüdungserscheinungen vorzubeugen. Halten Sie den Freischneider in der korrekten Position, wie in dieser Bedienungsanleitung beschrieben. Lassen Sie den Griff langsam und vorsichtig los. Lassen Sie nicht vollständig los, sondern lassen Sie Ihre Hände leicht auf dem Griff liegen und achten Sie darauf, dass sich der Abstand zwischen dem Schneidwerkzeug und dem Boden nicht wesentlich verändert. Ein Gleichgewichtsausgleich ist erforderlich, wenn der Freischneider über Kniehöhe gehalten wird. Bedienen Sie den Freischneider nicht, wenn ein Gleichgewichtsausgleich nicht vorgenommen wurde.
- Halten Sie den Freischneider während dem Betrieb fest in beiden Händen, sodass Sie den Freischneider jederzeit kontrollieren können.
- Verletzungen, die durch Vibrationen und Kälte verursacht werden: Sie können einen stechenden oder brennenden Schmerz in Ihren Fingern verspüren, und die Finger können abhängig von Ihrer Konstitution farblos und gefühllos werden. Es wird angenommen, dass diese Symptome durch Vibrationen und/oder Einwirkung von Kälte verursacht werden. Die spezifischen Auslösepunkte dieser Symptome wurden noch nicht identifiziert, jedoch ist es ratsam, die folgenden Anweisungen zu befolgen.
  - Beschränken Sie Ihre Arbeitszeit mit dem Freischneider pro Tag. An einem Arbeitstag sollten Sie abwechselnd mit dem Freischneider arbeiten und andere Arbeiten ohne handgeführte Geräte verrichten, sodass Sie die Dauer einschränken können, während der Ihre Hände der Vibration der Maschine ausgesetzt sind.
  - Halten Sie Ihren Körper warm, insbesondere Ihre Hände, Handgelenke und Arme.
  - Machen Sie häufigere, kurze Pausen und Armübungen, um eine gute Durchblutung zu gewährleisten. Rauchen Sie nicht bei der Arbeit.
  - Wenn Ihre Finger schmerzen, sich röten oder anschwellen, gefolgt von einem Farb- und Gefühlsverlust, wenden Sie sich umgehend an Ihren Arzt. Wenn Sie das Gefühl haben, dass der Freischneider übermäßig vibriert, lassen Sie ihn von Ihrem Wartungshändler warten.
- Verletzungen, die durch wiederholten Betrieb verursacht werden: Über einen längeren Zeitraum häufig wiederholte Arbeiten können Verletzungen verursachen. Beachten Sie die folgenden Anweisungen, um Verletzungsursachen vorzubeugen.
  - \* Vermeiden Sie sich wiederholende Arbeiten, die Ihr(e) Handgelenk(e) in eine gebeugte, überdehnte oder verdrehte Position bringen.
  - \* Machen Sie regelmäßige Pausen, um die Auswirkungen sich wiederholender Arbeiten zu minimieren. Lassen Sie sich Zeit, bevor Sie erneut sich wiederholende Arbeiten ausführen. Bedienen Sie den Freischneider nicht zu schnell erneut.
  - \* Wenn Ihre Finger, Hände, Handgelenke und/oder Arme pochen oder taub werden, wenden Sie sich an Ihren Arzt.

## KINDERSICHERHEIT

- Stellen Sie sicher, dass sich Kinder im Haus befinden und beaufsichtigt sind, wenn in der Nähe ein Hochleistungs-Freischneider im Außenbereich verwendet wird. Kleine Kinder bewegen sich schnell und finden Schneide- und Trimmarbeiten möglicherweise sehr interessant.
- Gehen Sie niemals davon aus, dass Kinder dort bleiben, wo Sie sie zuletzt gesehen haben. Seien Sie aufmerksam und schalten Sie den Freischneider aus, wenn sich Kinder in der Nähe befinden.
- Sie sollten Kindern niemals gestatten, den Freischneider zu bedienen, auch nicht unter Aufsicht eines Erwachsenen.

## VERLETZUNGSGEFAHR DURCH HERUMFLIEGENDE GEGENSTÄNDE

Gegenstände, die von dem Schneidwerkzeug getroffen werden, können von dem Freischneider mit hoher Geschwindigkeit hochgeschleudert werden und können schwere Verletzungen verursachen.

- Prüfen Sie den Bereich gründlich, in dem der Freischneider verwendet werden soll, und entfernen Sie alle Gegenstände (Steine, Zweige, Drähte, Knochen, etc.) die durch das rotierende Schneidwerkzeug hochgeschleudert werden könnten.

## BRAND- UND VERBRENNUNGSGEFAHR

Benzin ist hochentzündlich, und Benzindampf kann explodieren. Seien Sie sehr vorsichtig im Umgang mit Benzin. Bewahren Sie Benzin außerhalb der Reichweite von Kindern auf.

- Lagern Sie Benzin ausschließlich in dafür vorgesehenen Behältern.
- Füllen Sie Benzin ausschließlich in Außenbereichen nach, und rauchen Sie nicht beim Nachfüllen von oder beim Umgang mit Benzin.
- Füllen Sie Benzin nach, bevor Sie den Motor starten. Entfernen Sie nie die Abdeckung des Benzintanks oder füllen Sie niemals Benzin nach, während der Motor läuft oder wenn der Motor heiß ist.
- Wenn Sie Benzin verschütten, versuchen Sie nicht, den Motor zu starten. Entfernen Sie den Freischneider von dem verschütteten Benzin und bringen Sie keine Zündquellen jeglicher Art in die Nähe des Bereichs, bis die Benzindämpfe verfliegen sind.
- Achten Sie darauf, Verschlussdeckel von Benzintanks und Benzinbehältern ordnungsgemäß zu verschließen. Wenn Sie den Motor nach dem Nachfüllen von Benzin starten, achten Sie darauf, den Motor in einer Entfernung von mindestens 3 Metern zu dem Ort zu starten, an dem Sie Benzin nachgefüllt haben.
- Lagern Sie den Freischneider niemals mit Benzin im Tank in einem Gebäude, in dem die Dämpfe mit einer offenen Flamme, einem Funken oder einer Hochtemperaturquelle in Kontakt kommen können.
- Lassen Sie den Motor abkühlen, bevor Sie die Maschine in einem Innenraum lagern.
- Um die Brandgefahr zu minimieren, achten Sie darauf, dass der Freischneider, insbesondere der Motor, der Auspuff sowie der Bereich um den Benzintank, frei von Gras, Blättern oder übermäßigen Mengen von Schmiermitteln ist. Lagern Sie Behälter mit pflanzlichen Materialien nicht in einem oder in der Nähe eines Gebäudes.
- Wenn der Benzintank entleert werden muss, ist dies in einem Außenbereich und bei kaltem Motor durchzuführen.

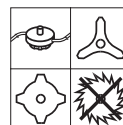
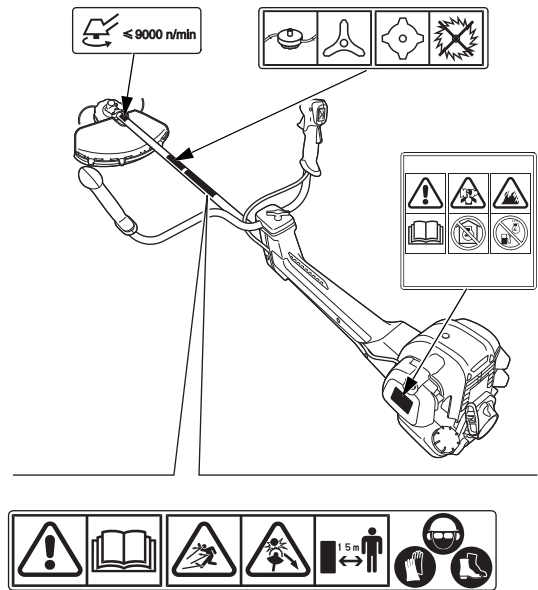
## GEFAHR EINER KOHLENMONOXIDVERGIFTUNG

Abgase enthalten gefährliches Kohlenmonoxid, ein farbloses und geruchloses Gas. Das Einatmen von Abgasen kann Bewusstlosigkeit verursachen und sogar zum Tod führen.

- Wenn Sie den Motor in einem geschlossenen oder teilweise geschlossenen Bereich laufen lassen, kann die Luft, die Sie einatmen, eine gefährliche Menge Abgase enthalten. Um zu vermeiden, dass sich größere Mengen von Abgasen ansammeln, sollten Sie für ausreichende Belüftung sorgen.
- Ersetzen Sie einen defekten Auspufftopf.
- Lassen Sie den Motor nicht in einem geschlossenen Bereich laufen, in dem sich gefährliche Kohlenmonoxid-dämpfe ansammeln können.

## POSITIONEN DER SICHERHEITSETIKETTEN

Ihr Freischneider ist mit Vorsicht zu verwenden. Aus diesem Grunde wurden auf der Maschine Aufkleber angebracht, um Ihnen die wichtigsten Sicherheitsmaßnahmen vor Augen zu führen, die von Ihnen bei der Verwendung zu befolgen sind. Ihre Bedeutung wird in diesem Kapitel erläutert. Diese Aufkleber sind als Teil des Freischneiders anzusehen. Wenn einer der Aufkleber sich löst oder unleserlich wird, kontaktieren Sie Ihren Wartungshändler, um diesen Aufkleber zu ersetzen.



- Der Honda Freischneider wurde für sicheres und verlässliches Arbeiten entworfen, wenn er gemäß der Anleitung verwendet wird. Lesen Sie die Bedienungsanleitung sorgfältig und beachten Sie die Warnhinweise und Sicherheitsanweisungen. Eine Missachtung kann zu Körperverletzungen oder Beschädigungen des Freischneiders führen.
- Achten Sie darauf, dass sich keine Personen oder Tiere im Arbeitsbereich des Freischneiders befinden.
- Die Maschine weist ein Schneidwerkzeug aus Stahl auf, das heftig zur Seite geschleudert werden kann, wenn das Stahlschneidwerkzeug mit festen Gegenständen in Kontakt kommt. Um einen unbeabsichtigten Kontakt mit dem rotierenden Stahlschneidwerkzeug oder mit Gegenständen, die durch das rotierende Schneidwerkzeug hochgeschleudert werden, zu vermeiden, achten Sie darauf, dass Personen und Tiere einen Abstand von mindestens 15 m zu dem Freischneider einhalten, wenn dieser in Betrieb ist.
- Tragen Sie Augen- und Gehörschutz.
- Tragen Sie einen Kopfschutz, wenn die Gefahr herunterfallender Gegenstände besteht.
- Tragen Sie rutschfeste(s) Schuhwerk und Handschuhe.
- Der Freischneider ist mit einer Nylonfaden, einer Metallscheibe als Schneidwerkzeug oder einem Kreissägeblatt zu verwenden. Wenn Sie den Freischneider mit einem Kreissägeblatt verwenden, tauschen Sie die normale Schutzabdeckung des Schneidwerkzeugs gegen die optional erhältliche Schutzabdeckung des Schneidwerkzeugs für Kreissägeblätter aus. Verwenden Sie ein Kreissägeblatt nicht mit der normalen Schutzabdeckung des Schneidwerkzeugs.



- Wenn Sie das Stahlschneidmittel austauschen, verwenden Sie bitte eine Klinge, die für eine maximale Rotationsgeschwindigkeit von 9.000 n/min oder mehr ausgelegt ist.



- Benzin ist hochentzündlich und explosiv. Vor dem Tanken den Motor abstellen und abkühlen lassen.

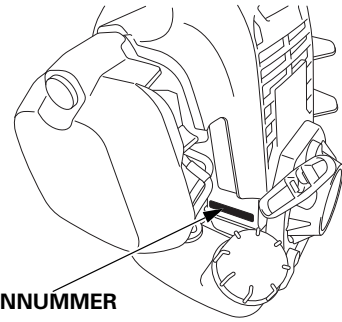


- Der Motor stößt giftiges Kohlenmonoxidgas aus. Nicht in geschlossenen Räumen betreiben.

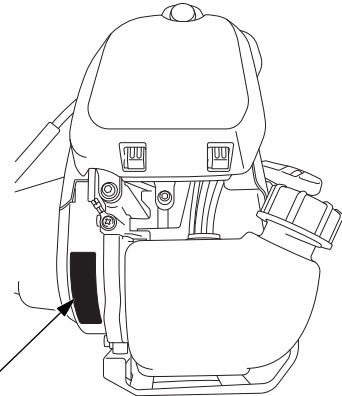


- Vor Inbetriebnahme die Bedienungsanleitung lesen.

## IDENTIFIKATION DES GERÄTS

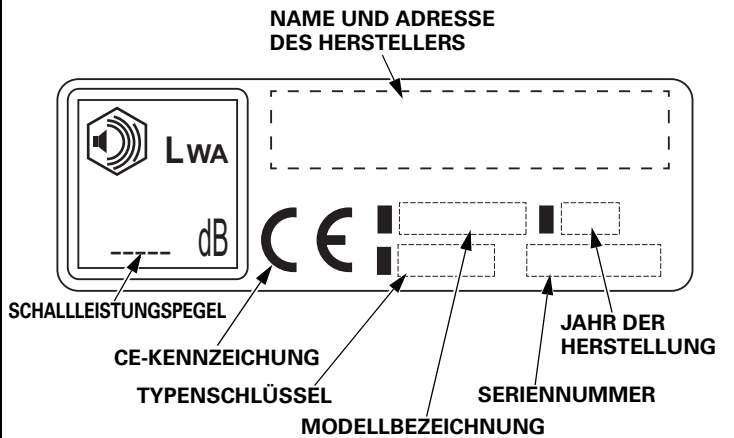


MOTORSERIENNUMMER



TYPENSCHILD

### TYPENSCHILD



Tragen Sie in den nachfolgenden dafür vorgesehenen Feldern die Rahmenseriennummer, die Motorseriennummer und das Kaufdatum ein. Sie benötigen diese Information zur Bestellung von Ersatzteilen, bei technischen Fragen und bei Nachfragen zur Garantie.

\_\_\_\_\_

Rahmenseriennummer

\_\_\_\_\_

Motorseriennummer

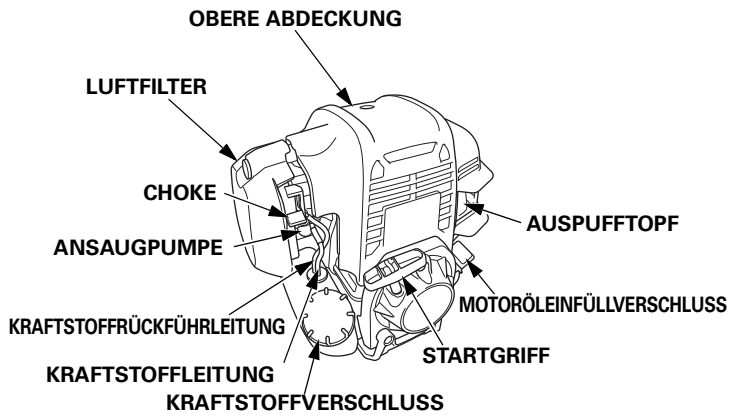
\_\_\_\_\_

Kaufdatum

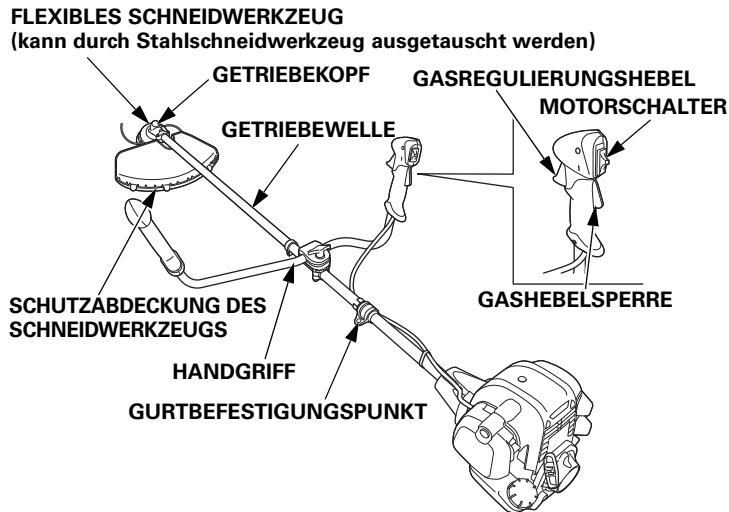


# IDENTIFIKATION DER KOMPONENTEN

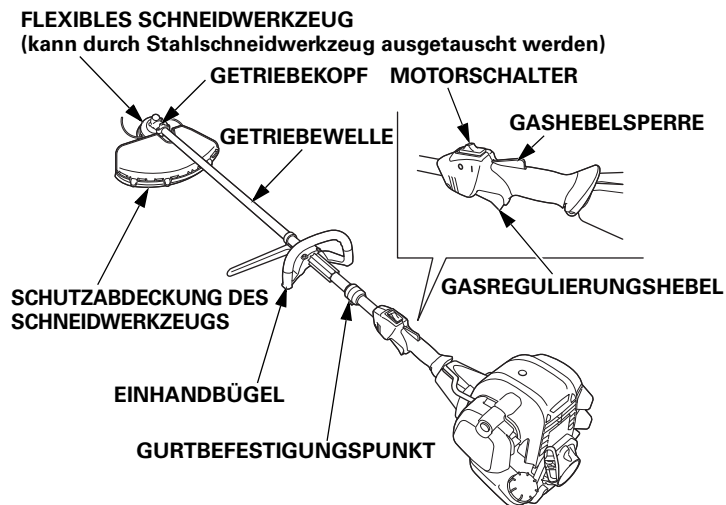
## MOTOREN (ALLE TYPEN):



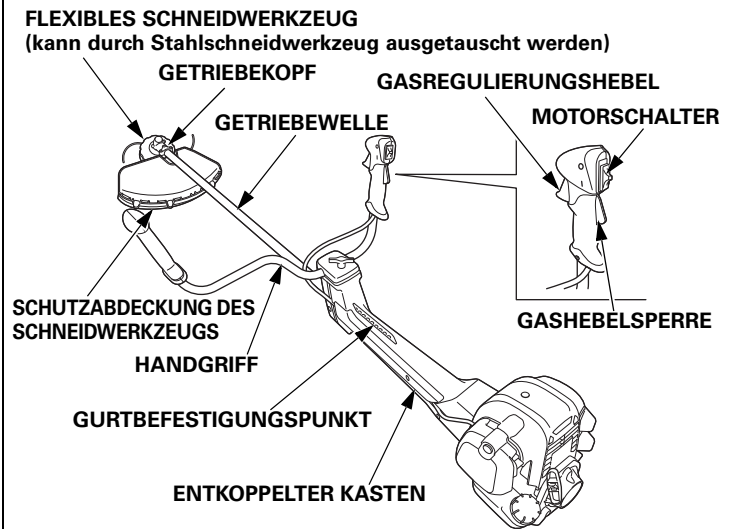
## RAHMEN (TYP UEET):



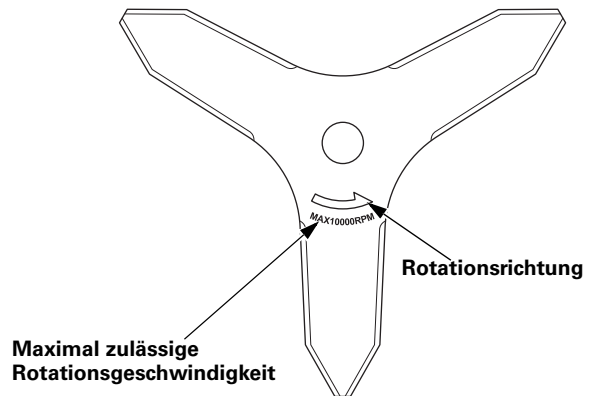
## RAHMEN (TYP LEET):



## RAHMEN (TYP XEET):



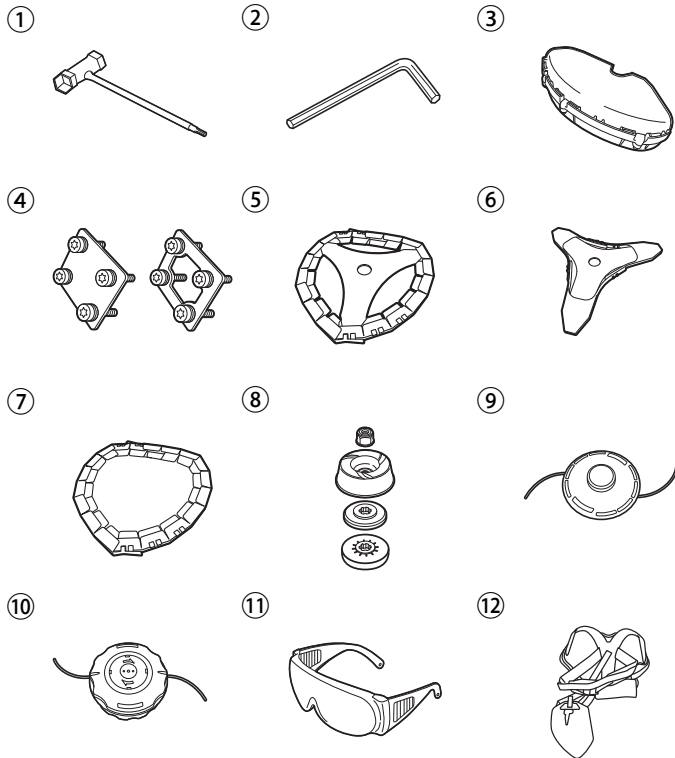
## BEDEUTUNG DES PRÄGESTEMPELS AUF DEM STAHLSCHEIDWERKZEUG (3 ZÄHNE):





## LOSE TEILE

Prüfen Sie, dass die folgenden Teile im Lieferumfang enthalten sind:



- ① 16 x 19 mm-Schraubenschlüssel
- ② 4 mm-Sechskantschlüssel
- ③ Schutzabdeckung des Schneidwerkzeugs
- ④ Distanzscheiben und vier Schrauben (links: Typen UEET und LEET, rechts: Typ XEET)
- ⑤ Stahlschneidmittel (3-zahnig) und Abdeckung (Typ UEET und LEET)
- ⑥ Stahlschneidmittel (3-zahnig) und Abdeckung (Typ XEET)
- ⑦ Abdeckung des Schneidmittels für optionales Stahlschneidmittel (Typ XEET)
- ⑧ Distanzscheibe A, Distanzscheibe B, Stabilisator und Mutter des Schneidmittels (von unten)
- ⑨ Flexibles Schneidmittel (Typ UEET und LEET)
- ⑩ Flexibles Schneidmittel (Typ XEET)
- ⑪ Schutzbrille
- ⑫ Doppelgurt

## MONTAGEANLEITUNG

Eine ordnungsgemäße Montage ist für die Sicherheit des Bedieners und die Zuverlässigkeit des Freischneiders von wesentlicher Bedeutung. Eine fehlerhafte oder unvollständige Montage durch den Monteur bzw. Wartungstechniker kann zu Funktionsfehlern, Beschädigungen der Maschine oder Verletzungen des Bedieners führen.

### ⚠ WARNUNG

Eine unsachgemäße Montage kann Gefahrensituationen verursachen, die schwere Verletzungen oder den Tod zur Folge haben können. Befolgen Sie die Schritte und Sicherheitsvorkehrungen in der Montageanleitung daher sehr sorgfältig.

### EINFÜLLEN VON MOTORÖL

Der Freischneider wird OHNE ÖL im Motor geliefert. Füllen Sie das empfohlene Öl (Seite 31) bis zur maximalen Füllhöhe ein. Um Motoröl einzufüllen, siehe Seite 31.

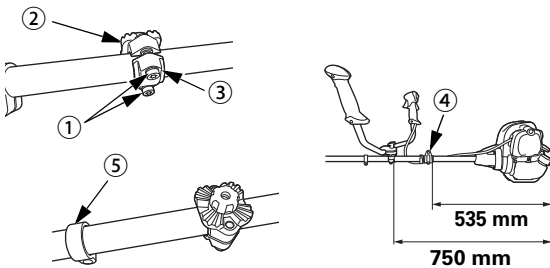
### HINWEIS:

Wenn der Motor mit einer nicht ausreichenden Menge Öl betrieben wird, kann der Motor schwer beschädigt werden. Füllen Sie Öl bis zur maximalen Füllhöhe ein, bevor Sie den Freischneider verwenden. Verwenden Sie kein detergensfreies Öl oder Zweitakt-Motoröl. Diese Öle können die Lebensdauer des Motors verkürzen.

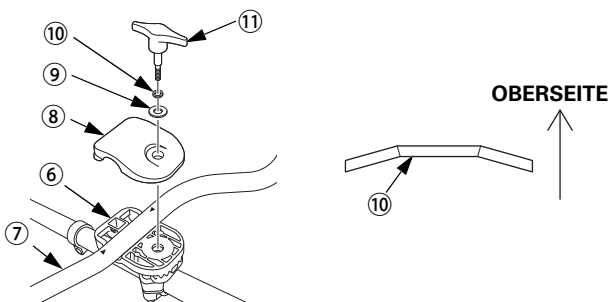
### INSTALLATION DES GRIFFS

#### Typ UEET

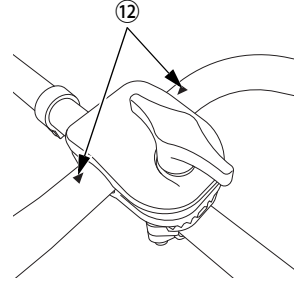
- Lösen Sie die beiden Schrauben ①. Schieben Sie die Griffhalterung B ② und die Griffhalterung C ③ in die Standardposition (wie in der nachfolgenden Abbildung gezeigt) und ziehen Sie die beiden Schrauben ① an. Anzugsdrehmoment: 9,8 N·m (1,0 kgf·m). Prüfen Sie die Position des Gurtbefestigungspunkts ④. Die Standardpositionen werden in der nachfolgenden Abbildung gezeigt. Die Position der Griffhalterung kann danach verändert werden, falls dies erforderlich ist. Aus Sicherheitsgründen dürfen die Griffstange und die Griffhalterung nicht über den Sicherheitsbund ⑤ hinaus installiert werden.



- Platzieren Sie die Griffhalterung D ⑥ auf der Griffhalterung B ②. Setzen Sie dann die Griffstange ⑦ auf die Griffhalterung D ⑤. Installieren Sie die Griffhalterung A ⑧, die flache Unterlegscheibe ⑨ und die konische Unterlegscheibe ⑩. Ziehen Sie die Stellschraube ⑪ leicht an. Achten Sie auf die Montagerichtung der konischen Unterlegscheibe. Die konvexe Seite zeigt zu der Oberseite.

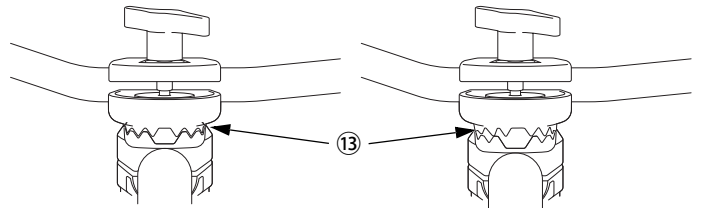


- Richten Sie die laterale Position und den Winkel der Griffstange aus. Die zwei Pfeile ⑫ auf der Griffstange müssen sichtbar sein. Zur Ausrichtung des Winkels der Griffstange siehe Seite 19.



- Setzen Sie die Kerbverzahnungen ⑬ korrekt ein und ziehen Sie die Stellschraube ⑩ fest an.

OK (Kerbverzahnung korrekt eingesetzt)    NG (Kerbverzahnung nicht korrekt eingesetzt)

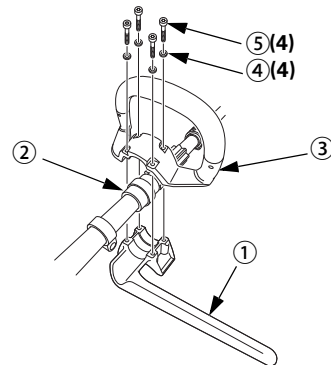


### HINWEIS:

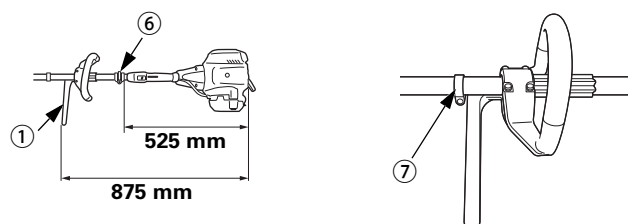
Wenn Sie die Stellschraube anziehen, stellen Sie sicher, dass die Kerbverzahnungen korrekt eingesetzt wurden. Wenn die Stellschraube mit nicht korrekt eingesetzten Kerbverzahnungen angezogen wird, kann die Stellschraube brechen.

#### Typ LEET

- Setzen Sie die Schutzvorrichtung ① auf die Unterseite des Gummis ② auf der Getriebewelle. Setzen Sie den Einhandbügel ③ auf die Oberseite des Gummis ②. Installieren Sie vier Unterlegscheiben ④ und vier Schrauben ⑤. Ziehen Sie die vier Schrauben ⑤ leicht an. Anzugsdrehmoment: 1,8 N·m (0,2 kgf·m)



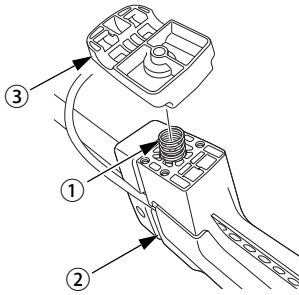
- Überprüfen Sie die Position des Einhandbügels ① und des Gurtbefestigungspunktes ⑥. Die Standardpositionen werden in der nachfolgenden Abbildung gezeigt. Passen Sie die Positionen gegebenenfalls an. Die Position des Einhandbügels kann danach verändert werden, falls dies erforderlich ist. Aus Sicherheitsgründen darf der Einhandbügel nicht über den Sicherheitsbund ⑦ hinaus montiert werden.



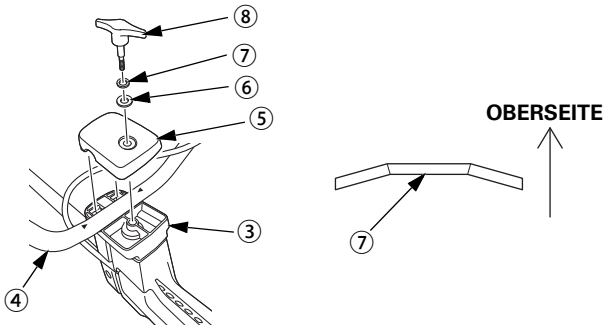
- Ziehen Sie die vier Schrauben ⑤ fest an.

## Typ XEET

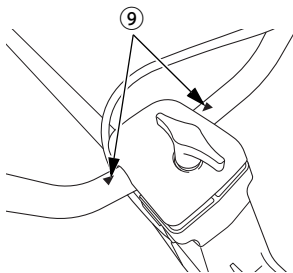
1. Setzen Sie die Feder ① auf das Loch des entkoppelten Kastens ②. Dann setzen Sie die Griffhalterung B ③ auf den entkoppelten Kasten ②.



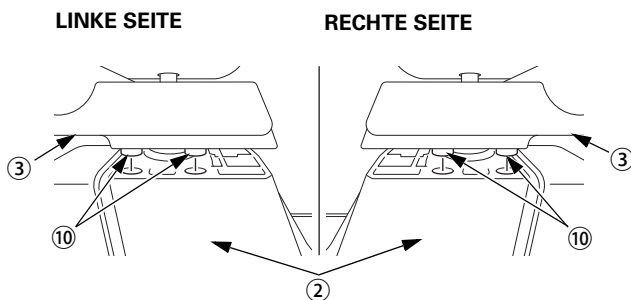
2. Setzen Sie dann die Griffstange ④ auf die Griffhalterung B ③. Montieren Sie die Griffhalterung A ⑤, die flache Unterlegscheibe ⑥ und die konische Unterlegscheibe ⑦. Ziehen Sie die Stellschraube ⑧ leicht an. Achten Sie auf die Montagerichtung der konischen Unterlegscheibe. Die konvexe Seite zeigt zu der Oberseite.



3. Richten Sie die laterale Position und den Winkel der Griffstange aus. Die zwei Pfeile ⑨ auf der Griffstange müssen sichtbar sein. Zur Ausrichtung des Winkels der Griffstange siehe Seite 19.



4. Drücken Sie die Griffhalterung A ⑤ leicht an und ziehen Sie die Griffstellschraube ⑧ fest an. Stellen Sie sicher, dass die vier Laschen ⑩ auf der Griffhalterung B ③ in die Bohrlöcher des entkoppelten Kastens ② eingreifen.



## MONTAGE DES SCHNEIDWERKZEUGS

### ▲ WARNUNG

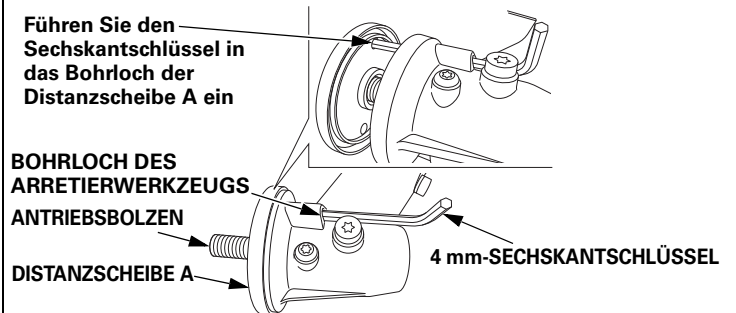
- Um schwere Körperverletzungen zu vermeiden, stellen Sie sicher, dass der Motorschalter in der Stellung AUS steht, um ein unbeabsichtigtes Starten zu verhindern.
- Prüfen Sie zur Sicherheit das Schneidwerkzeug auf Abnutzung und Beschädigungen und prüfen Sie, ob das Schneidwerkzeug fest montiert ist, bevor Sie den Motor starten. Das Verwenden des Freischneiders mit einem abgenutzten, gebrochenen oder beschädigten Schneidwerkzeug kann Körperverletzungen oder Beschädigungen des Freischneiders verursachen. Ein abgenutztes, gerissenes oder beschädigtes Schneidwerkzeug kann den Bediener oder umstehende Personen treffen und schwere bis lebensgefährliche Körperverletzungen verursachen.

### VORSICHT:

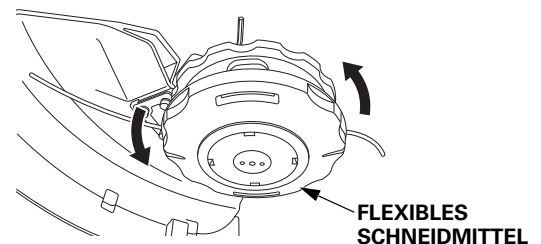
- Tragen Sie Arbeitshandschuhe, um Ihre Hände zu schützen, wenn Sie Arbeiten um das Schneidwerkzeug herum vornehmen.

### Flexibles Schneidmittel

1. Prüfen Sie, dass die Distanzscheibe A in dem Getriebekopf installiert ist.
2. Führen Sie den 4 mm-Sechskantschlüssel in das Bohrloch des Arretierwerkzeugs ein, um zu verhindern, dass sich der Antriebsbolzen dreht.



3. Drehen Sie das flexible Schneidmittel gegen den Uhrzeigersinn, um es in dem Getriebekopf zu installieren.



## Stahlschneidmittel

### VORSICHT:

- Um Körperverletzungen zu vermeiden, installieren Sie die Abdeckung des Schneidmittels, bevor Sie Wartungsarbeiten im Bereich des Stahlschneidmittels vornehmen.

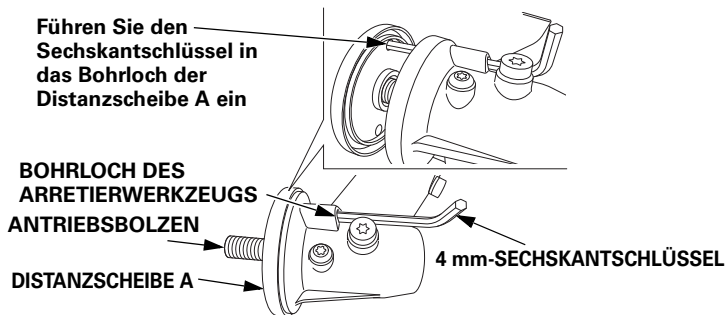
Um die Abdeckung des Schneidmittels zu installieren, siehe Seite 14.

Spezifikationen des Stahlschneidmittels (3-zahnig):

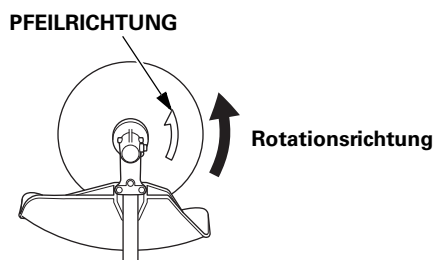
Typ UEET, LEET: Durchmesser mit 255 mm, Dreizahnklinge, maximal zulässige Rotationsgeschwindigkeit unter  $10.000 \text{ min}^{-1}(\text{U/Min})$

Typ XEET: Durchmesser mit 303 mm, Dreizahnklinge, maximal zulässige Rotationsgeschwindigkeit unter  $10.000 \text{ min}^{-1}(\text{U/Min})$   
Für Daten zu dem optionalen Stahlschneidmittel wenden Sie sich bitte an Ihren Wartungshändler.

- Führen Sie den 4 mm-Sechskantschlüssel in das Bohrloch des Arretierwerkzeugs ein, um zu verhindern, dass sich der Antriebsbolzen dreht.

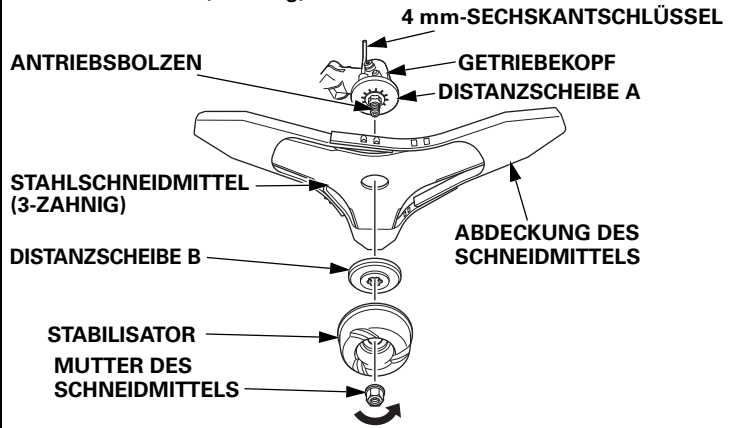


- Installieren Sie das Stahlschneidmittel. Stellen Sie sicher, dass der Überstand der Distanzscheibe mit dem Bohrloch des Schneidmittels ausgerichtet ist. Prüfen Sie die Pfeilrichtung auf dem Stahlschneidmittel und installieren Sie es in der richtigen Richtung.

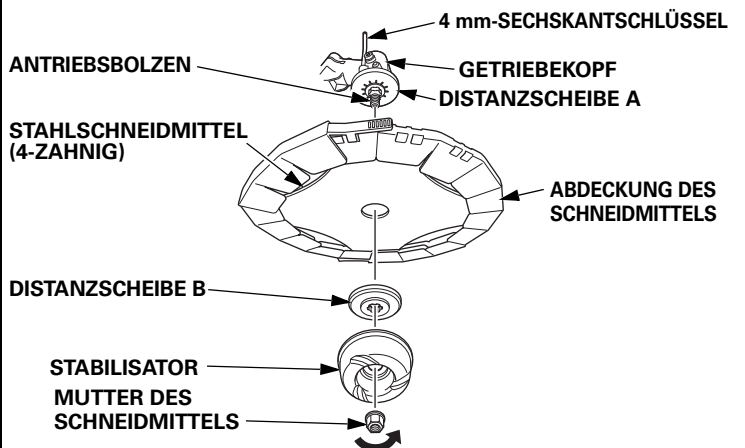


- Installieren Sie die Distanzscheibe B, den Stabilisator und die Mutter des Schneidwerkzeugs. Ziehen Sie die Mutter des Schneidwerkzeugs mit dem angegebenen Anzugsdrehmoment an. Der Antriebsbolzen und die Mutter des Schneidmittels weisen Linksgewinde auf. Drehen Sie sie zum Installieren gegen den Uhrzeigersinn.  
Anzugsdrehmoment der Mutter des Schneidmittels:  
UEET, LEET: 19,2 N·m (1,9 kgf·m)  
XEET: 29,0 N·m (3,0 kgf·m)

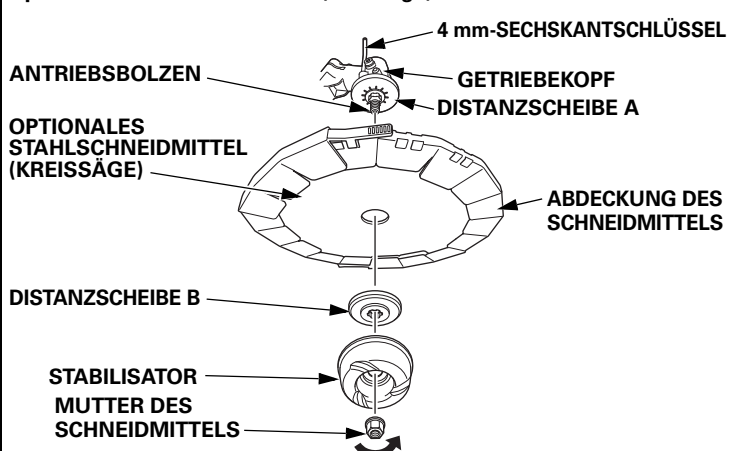
### Stahlschneidmittel (3-zahnig):



### Optionales Stahlschneidmittel (4-zahnig):



### Optionales Stahlschneidmittel (Kreissäge):



### ⚠️ WARNUNG

- Verwenden Sie das Stahlschneidmittel (Kreissäge) nur mit den Typen UEET und XEET. Verwenden Sie es niemals mit dem Typ LEET. Der Typ LEET wurde nicht zur Verwendung mit dem Stahlschneidmittel (Kreissäge) entworfen, und der Betrieb des Typs LEET mit dem Stahlschneidmittel (Kreissäge) kann unerwartete Unfälle verursachen.
  - Installieren Sie das Stahlschneidmittel (Kreissäge) nie in der umgekehrten Richtung. Prüfen Sie bei der Installation die Pfeilrichtung auf dem Stahlschneidmittel (Kreissäge) und installieren Sie es in der richtigen Richtung.
  - Das Stahlschneidmittel (Kreissäge) muss mit der optionalen Schutzabdeckung des Schneidmittels verschraubt werden (siehe Seite 11).
- Drehen Sie nach dem Anziehen der Mutter des Schneidmittels das Stahlschneidmittel mit der Hand, um zu prüfen, dass es korrekt mittig installiert wurde. Prüfen Sie, dass das Stahlschneidmittel weder exzentrisch läuft noch mit einem angrenzenden Teil kollidiert.

## MONTAGE DER SCHUTZABDECKUNG DES SCHNEIDWERKZEUGS

### ⚠ WARNUNG

- Montieren Sie die Schutzabdeckung des Schneidwerkzeugs sicher in der korrekten Position, sodass Sie vor Kleinteilen geschützt sind, die durch ein rotierendes Schneidwerkzeug hochgeschleudert werden.
- Verwenden Sie den Freischneider niemals ohne die Schutzabdeckung des Schneidwerkzeugs. Steine oder Fremdkörper, die von dem rotierenden Schneidwerkzeug nach außen geschleudert werden oder mit dem rotierenden Schneidwerkzeug in Kontakt kommen, können zu Körperverletzungen oder Sachschäden führen.

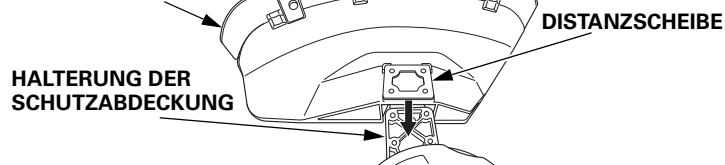
### VORSICHT:

- Tragen Sie Arbeitshandschuhe, um Ihre Hände zu schützen, wenn Sie Arbeiten um das Schneidwerkzeug herum vornehmen.

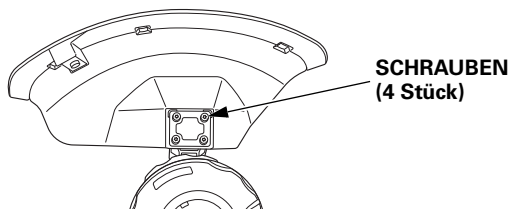
### Standard-Schutzabdeckung des Schneidwerkzeugs für Stahlschneidmittel (3-zahnig und 4-zahnig) und flexible Schneidmittel:

1. Setzen Sie die Distanzscheibe auf die Schutzabdeckung des Schneidwerkzeugs. Dann befestigen Sie diese an der Halterung der Schutzabdeckung auf dem Getriebekopf.

#### SCHUTZABDECKUNG DES SCHNEIDWERKZEUGS



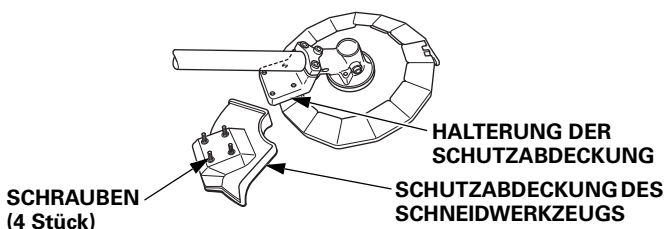
2. Setzen Sie die vier Schrauben ein. Ziehen Sie sie unter Verwendung der Torx-Schraubenschlüssel-seite des 16 x 19 mm-Schraubenschlüssels fest an.  
Anzugsdrehmoment für die Schrauben: 5,5 N·m (0,6 kgf·m)



Das Unterteil der Schutzabdeckung des Schneidwerkzeugs muss entfernt werden, wenn mit dem Stahlschneidmittel (3-zahnig und 4-zahnig) gearbeitet wird. Um dieses abzunehmen, siehe Seite 16.

### Optionale Schutzabdeckung des Schneidwerkzeugs für das Stahlschneidmittel (Kreissäge):

Befestigen Sie die Schutzabdeckung des Schneidwerkzeugs an der Halterung der Schutzabdeckung auf dem Getriebekopf. Setzen Sie die Distanzscheiben und die vier Schrauben ein. Ziehen Sie sie mit der Torx-Schraubenschlüssel-seite des 16 x 19 mm-Schraubenschlüssels fest an.  
Anzugsdrehmoment für die Schrauben: 5,5 N·m (0,6 kgf·m)  
Es können standardmäßige Distanzscheiben und Schrauben verwendet werden.



## BEDIENELEMENTE UND KOMPONENTEN

### MOTORSCHALTER

Der Motorschalter aktiviert und deaktiviert das Zündungssystem.

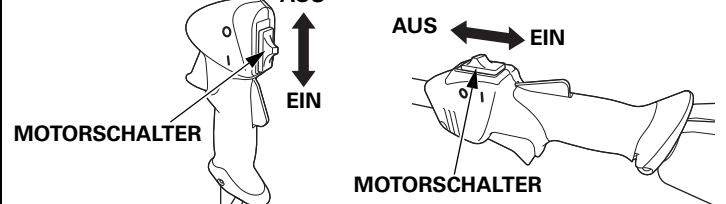
Der Motorschalter muss in der Stellung EIN stehen, damit der Motor laufen kann.

Wenn Sie den Motorschalter in die Stellung AUS stellen, schaltet dies die Maschine ab.

#### Typ UEET, XEET



#### Typ LEET

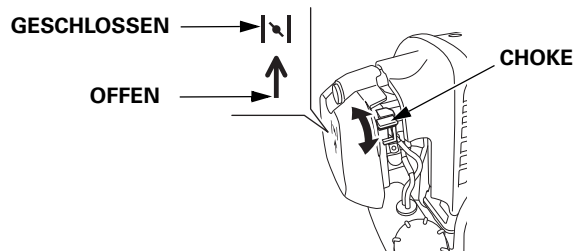


### CHOKE

Der Choke öffnet und schließt das Drosselventil im Vergaser.

Die Stellung GESCHLOSSEN reichert das Kraftstoffgemisch an, um einen kalten Motor zu starten.

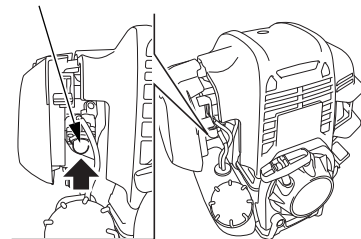
Die Stellung OFFEN stellt das korrekte Kraftstoffgemisch für den Betrieb nach dem Start und zum Neustart eines warmen Motors bereit.



### ANSAUGPUMPE

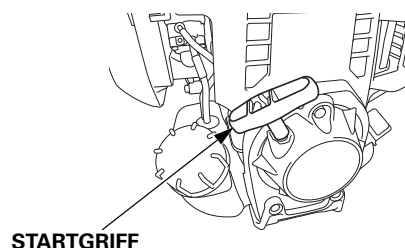
Das Drücken der Ansaugpumpe führt dem Vergaser Benzin aus dem Kraftstofftank zu. Das Verfahren ist erforderlich, um den Motor zu starten.

#### ANSAUGPUMPE



### STARTGRIFF

Das Ziehen des Startgriffs betätigt den Seilzugstarter, um den Motor zu starten.





## GASREGULIERUNGSHABEL

Der Gasregulierungshebel steuert die Motorgeschwindigkeit. Das Ziehen und Loslassen des Gasregulierungshebels wie nachfolgend gezeigt verursacht, dass der Motor schneller oder langsamer läuft.

Der Gasregulierungshebel kann nur über die Gashebelarretierung betätigt werden. Es ist nicht möglich, den Gasregulierungshebel zu ziehen, wenn die Gashebelarretierung zuvor gedrückt wurde.

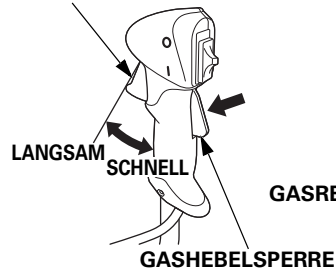
Indem der Gasregulierungshebel graduell gezogen wird, erhöht sich die Motorgeschwindigkeit, und das Schneidwerkzeug beginnt, sich zu drehen.

Drücken Sie den Gasregulierungshebel weiter, um die Motorgeschwindigkeit und die Drehgeschwindigkeit des Schneidwerkzeugs zu beschleunigen.

Indem Sie den Gasregulierungshebel loslassen, verringert sich die Motorgeschwindigkeit, und das Schneidwerkzeug dreht sich zunächst durch das Trägheitsmoment weiter, bevor es stoppt.

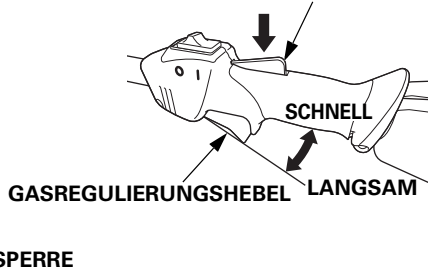
### Typ UEET, XEET

#### GASREGULIERUNGSHABEL



### Typ LEET

#### GASHEBELSPERRE



## GURTBEFESTIGUNGSPUNKT UND HAKEN

Tragen Sie den Doppelgurt (siehe Seite 20) und haken Sie den Haken in den Gurtbefestigungspunkt ein.

### ▲ WARNUNG

- **Legen Sie unbedingt den Doppelgurt an, bevor Sie den Freischneider verwenden. Anderenfalls können durch dessen Instabilität Verletzungen verursacht werden.**
- **Zur Sicherheit des Bedieners und für dessen Komfort ist es wichtig, die Gurte so anzupassen, dass diese bequem getragen werden können und die Maschine in der Arbeitsposition korrekt ausbalanciert ist.**

### Typ UEET, LEET:

Der Gurtbefestigungspunkt weist ein Loch zum Einhaken auf. Um den Freischneider von dem Haken zu lösen, drücken Sie auf den Hebel des Hakens und lösen Sie den Gurtbefestigungspunkt von dem Haken.

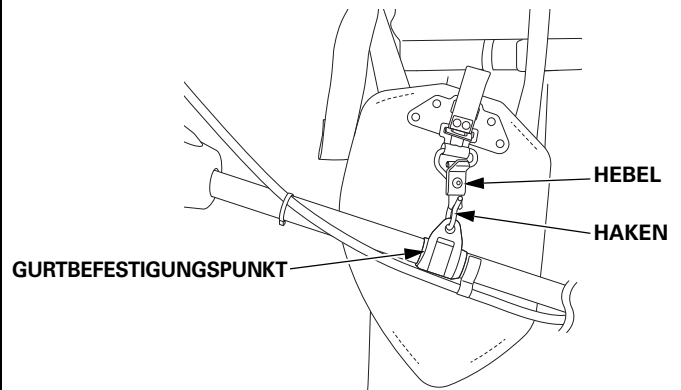
### Typ XEET:

Der Gurtbefestigungspunkt weist neun Löcher zum Einhaken auf. Sie können selbst auswählen, in welches Loch des Gurtbefestigungspunkts Sie den Haken einhaken, um eine optimale Balance zu erreichen.

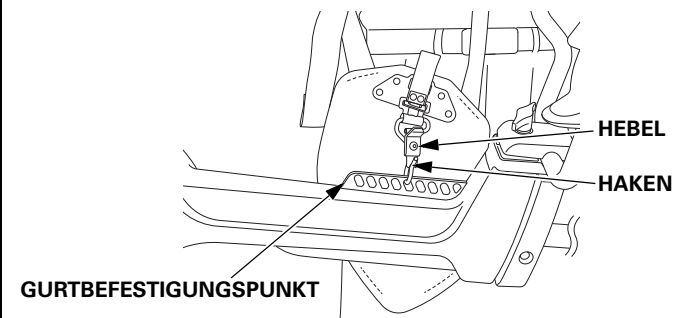
Um den Freischneider von dem Haken zu lösen, drücken Sie auf den Hebel des Hakens und lösen Sie den Gurtbefestigungspunkt von dem Haken.

Um den Freischneider auszubalancieren, wenn er an dem Haken befestigt ist, siehe Seite 19.

### Typ UEET, LEET



### Typ XEET



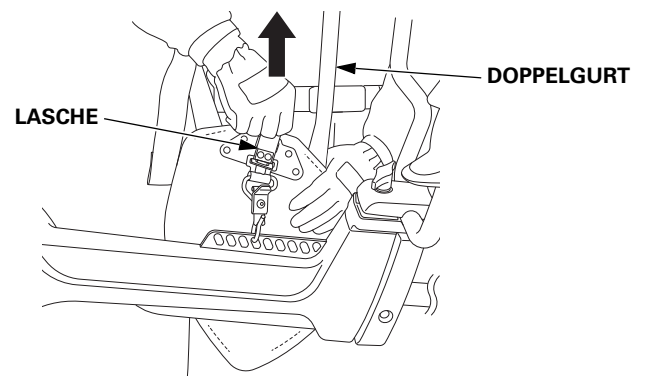
## QUICK-RELEASE-MECHANISMUS

### HINWEIS:

- Wenn der Quick-Release-Mechanismus verwendet wird, um den Freischneider zu lösen, kann der Freischneider herunterfallen. Wenn Sie die Funktion des Quick-Release-Mechanismus überprüfen, befestigen Sie den Freischneider nicht an dem Haken am Hüftpolster, um zu verhindern, dass der Freischneider herunterfällt und beschädigt wird.

Die Lasche des Quick-Release-Mechanismus ist vorgesehen, um den Freischneider in einem Notfall schnell von Ihrem Körper zu lösen.

Ziehen Sie die Lasche des Quick-Release-Mechanismus nach oben und drücken Sie den Freischneider weg, um den Freischneider von dem Doppelgurt zu lösen. Nach dem Lösen des Freischneiders durch den Quick-Release-Mechanismus verbleibt der Haken an dem Gurtbefestigungspunkt. Befestigen Sie den Haken an dem Hüftpolster, wenn Sie den Quick-Release-Mechanismus verwendet haben.



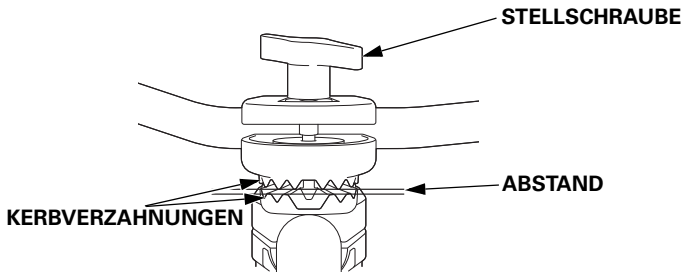


## EINKLAPPEN DER GRIFFSTANGE (NUR FÜR TYPEN UEET, XEET)

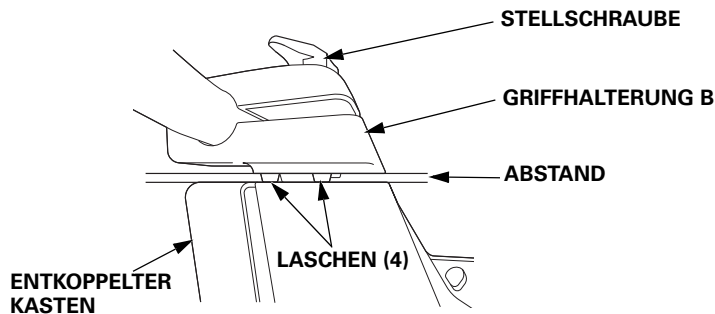
Die Griffstange kann zur Lagerung und für den Transport eingeklappt werden.

1. Lösen Sie die Stellschraube um 6 - 7 Umdrehungen.
2. (Typ UEET) Prüfen Sie, dass der Abstand zwischen den Kerbverzahnungen ausreichend ist.  
(Typ XEET) Prüfen Sie, dass die Laschen auf der Griffhalterung B nicht in die Bohrlöcher des entkoppelten Kastens eingreifen.

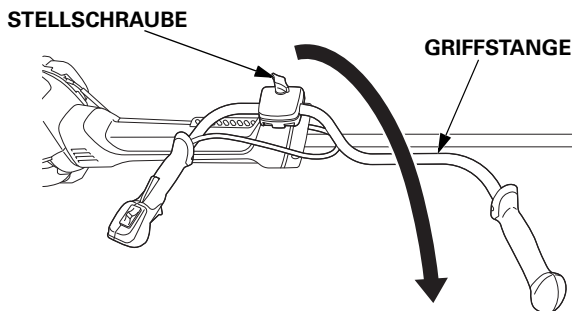
### Typ UEET



### Typ XEET

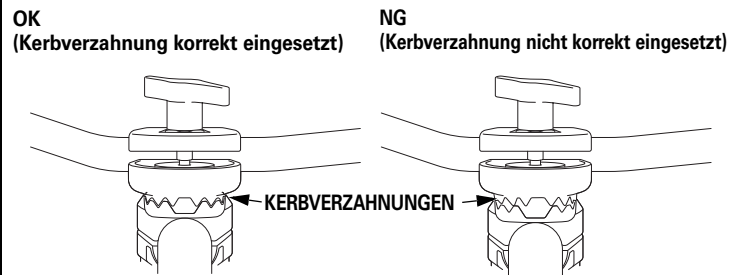


3. Drehen Sie die Griffhalterung um 90 Grad und klappen Sie die Griffstange nach links oder rechts. Achten Sie darauf, die Griffstange nicht über 90 Grad einzuklappen.



4. (Typ UEET) Setzen Sie die Kerbverzahnungen korrekt ein und ziehen Sie die Stellschraube an.  
(Typ XEET) Ziehen Sie die Stellschraube an. Achten Sie darauf, dass der Abstand zwischen der Griffstange B und dem entkoppelten Kasten beibehalten wird, nachdem die Stellschraube angezogen wurde.

### Nur Typ UEET:

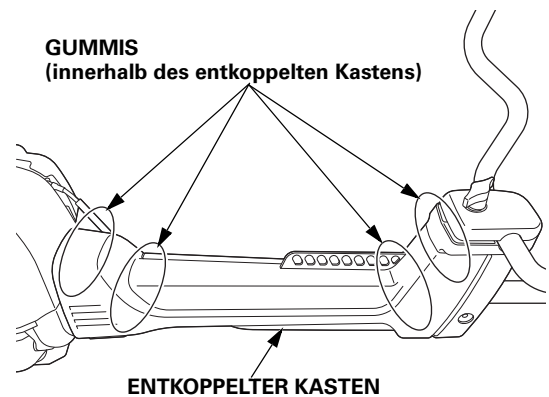


### HINWEIS:

Wenn Sie die Stellschraube anziehen, stellen Sie sicher, dass die Kerbverzahnungen korrekt eingesetzt wurden. Wenn die Stellschraube mit nicht korrekt eingesetzten Kerbverzahnungen angezogen wird, kann die Stellschraube brechen.

### ANTIVIBRATIONSSYSTEM (NUR TYP XEET)

Das Antivibrationssystem vermindert Vibrationen des Griffs mit der Struktur des entkoppelten Kastens. Der entkoppelte Kasten wird durch Gummis getragen, die im Bereich der Griffhalterung und des Kupplungsgehäuses montiert sind. Wenn Sie das Gefühl haben, dass die Vibration des Steuerungsgriffs übermäßig ist, setzen Sie sich bitte mit ihrem Wartungshändler in Verbindung.



## KONTROLLEN VOR DER VERWENDUNG

Zur Sicherheit und für einen effizienten Beschnitt sind die folgenden Kontrollen vor dem Betrieb durchzuführen.

### ▲ WARNUNG

- Jedes Maschinenteil ist eine potentielle Gefahrenquelle, wenn die Maschine unter unnormalen Bedingungen verwendet oder nicht ordnungsgemäß gewartet wird.
- Führen Sie die Kontrollen vor dem Betrieb auf einer festen, ebenen Fläche durch, stellen Sie sicher, dass sich das Schneidwerkzeug nicht dreht und dass der Motorschalter in der Stellung AUS steht.

Kontrollieren Sie vor jedem Gebrauch die Außen- und Unterseite des Motors auf Anzeichen von Öl- oder Benzinlecks.

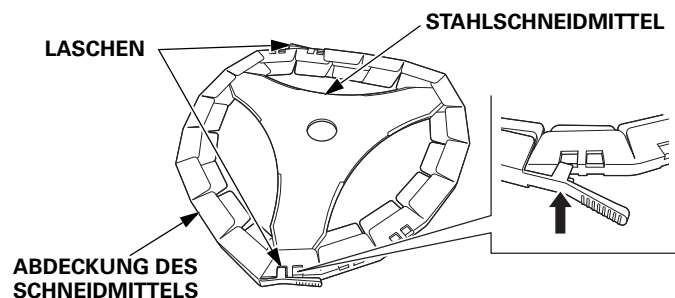
## REINIGUNG DER SCHUTZABDECKUNG DES SCHNEIDWERKZEUGS

Entfernen Sie vor jeder Verwendung Steinchen, Gras oder andere Fremdkörper von der Schutzabdeckung des Schneidwerkzeugs.

## INSTALLATION DER ABDECKUNG DES SCHNEIDMITTELS

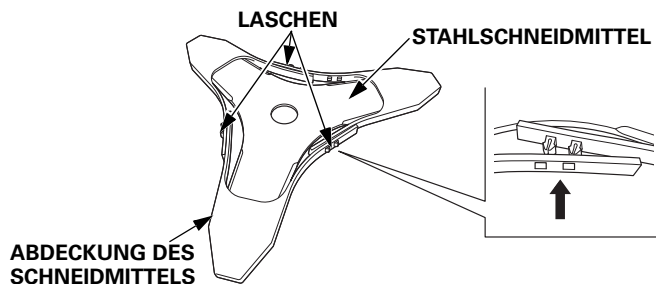
**Stahlschneidmittel (3-zahnig) für Typen UEET und LEET**  
**Stahlschneidmittel (4-zahnig) für Typen UEET und LEET und XEET**

Entfernen Sie die Lasche, rollen Sie die Abdeckung des Schneidmittels über die Spitzen des Stahlschneidmittels, sodass die Spitzen des Stahlschneidmittels vollständig von der Abdeckung des Schneidmittels bedeckt sind. Befestigen Sie die Laschen auf sichere Weise.



**Stahlschneidmittel (3-zahnig) für Typen XEET**

Setzen Sie die Abdeckungen des Schneidmittels auf die Spitzen des Stahlschneidmittels (3-zahnig). Prüfen Sie, dass die Spitzen des Stahlschneidmittels (3-zahnig) vollständig durch die Abdeckungen des Schneidmittels abgedeckt sind. Befestigen Sie die Laschen auf sichere Weise.



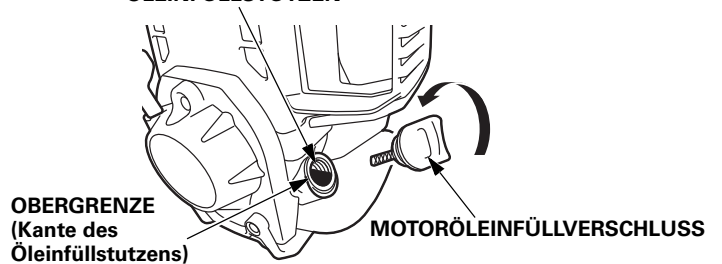
## KONTROLLIEREN DES MOTORÖLS

### HINWEIS:

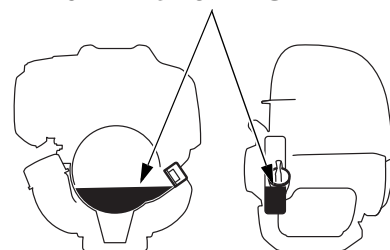
- Der Betrieb des Motors mit niedrigem Ölstand kann schwere Motorschäden verursachen.
  - Die Verwendung von detergensfreiem Öl oder Zweitakt-Motoröl kann die Lebensdauer des Motors verringern.
1. Legen Sie den Freischneider auf einer geraden Fläche ab und entfernen Sie den Öleinfüllverschlussdeckel.
  2. Prüfen Sie den Ölstand, der bis zur Kante des Öleinfüllstutzens reichen sollte, und prüfen Sie das Motoröl auf Verunreinigungen und Alterung.
  3. Wenn der Ölstand niedrig ist, füllen Sie das empfohlene Öl (siehe Seite 31) bis zur Obergrenze nach (Kante des Öleinfüllstutzens). Wenn das Öl verunreinigt oder zu alt ist, ersetzen Sie es (siehe Seite 31).
  4. Setzen Sie den Öleinfüllverschlussdeckel auf.

Prüfen Sie alle 10 Stunden den Motorölstand und füllen Sie Öl bis zur Oberkante des Öleinfüllstutzens nach, wenn die Maschine für mehr als 10 Stunden kontinuierlich in Betrieb war.

### ÖLEINFÜLLSTUTZEN



### OBERE FÜLLSTANDGRENZE



Waschen Sie nach dem Umgang mit Öl Ihre Hände mit Wasser und Seife.

## KONTROLLIEREN DES KRAFTSTOFFSTANDS

Verwenden Sie bleifreies E10-Benzin mit einer Researched-Oktananzahl von 91 oder höher (Oktananzahl an der Zapfsäule von 86 oder mehr).

Spezifikation(en) des Benzins, um die Leistungsfähigkeit des Emissionsminderungssystems beibehalten zu können: E10-Benzin gemäß EU-Verordnung.

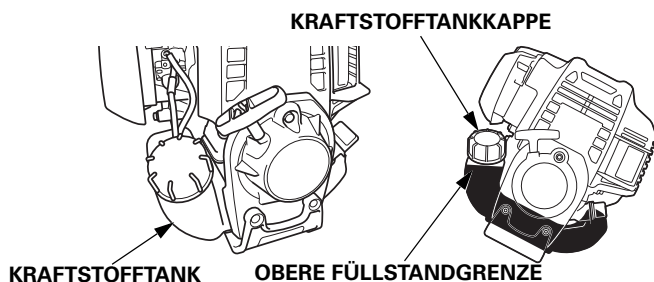
Verwenden Sie niemals abgestandenes, verschmutztes oder mit Öl gemischtes Benzin.

Achten Sie darauf, dass keine Verschmutzungen oder Wasser in den Kraftstofftank geraten.

### ▲ WARNUNG

- **Benzin ist hochentzündlich und unter bestimmten Bedingungen explosiv.**
- **Nur in gut belüfteter Umgebung bei abgestelltem Motor nachfüllen. Rauchen Sie nicht und lassen Sie nicht zu, dass Flammen oder Funken in den Bereich gelangen, in dem Benzin nachgefüllt oder gelagert wird.**
- **Überfüllen Sie den Kraftstofftank nicht (es sollte sich kein Kraftstoff in dem Einfüllstutzen befinden). Stellen Sie nach dem Auftanken sicher, dass der Tankdeckel ordnungsgemäß und sicher verschlossen ist.**
- **Achten Sie darauf, keinen Kraftstoff beim Nachfüllen zu verschütten. Verschütteter Kraftstoff oder Kraftstoffdämpfe können sich entzünden. Wenn Kraftstoff verschüttet wird, achten Sie darauf, dass der Bereich trocken ist, bevor Sie den Motor starten.**
- **Vermeiden Sie einen wiederholten oder verlängerten Hautkontakt oder das Einatmen von Dämpfen.**
- **AUSSERHALB DER REICHWEITE VON KINDERN AUFBEWAHREN.**

1. Den Kraftstoffstand durch Sichtprüfung auf der Außenseite des Kraftstofftanks kontrollieren, den Kraftstoff-Einfüllstutzen dabei in aufrechter Position halten.



2. Wenn der Kraftstoffstand niedrig ist, füllen Sie den Kraftstofftank nach, bis der angegebene Stand erreicht ist. Entfernen Sie den Kraftstofftankdeckel langsam, damit unter Druck stehende Luft aus dem Kraftstofftank entweichen kann. Wenn der Kraftstofftankdeckel zu schnell entfernt wird, kann Kraftstoff aus dem Kraftstofftank spritzen. Stellen Sie die Maschine beim Auftanken auf eine ebene Fläche. Verwenden Sie zum Auftanken einen Trichter und einen Schlauch. Wischen Sie Verschmutzungen auf dem Kraftstofftankdeckel ab, um zu vermeiden, dass Schmutz in den Kraftstofftank gerät. Fassungsvermögen des Kraftstofftanks:  $630 \text{ cm}^3$  (0,63 L)

3. Drehen Sie den Deckel des Kraftstofftankdeckels nach dem Auftanken fest zu.

### HINWEIS:

Benzin wird unter bestimmten Bedingungen wie Lichteinwirkung, Temperatur und Zeit sehr schnell unbrauchbar. Im schlimmsten Fall kann Benzin bereits nach 30 Tagen kontaminiert sein.

Die Verwendung von kontaminiertem Benzin kann den Motor schwer beschädigen (Verstopfen des Vergasers, klemmende Ventile). Derartige Beschädigungen, die durch unbrauchbares Benzin verursacht werden, fallen nicht unter den Garantierahmen.

Um dies zu vermeiden, befolgen Sie bitte genau die folgenden Empfehlungen:

- Verwenden Sie nur das angegebene Benzin.
- Verwenden Sie frisches und sauberes Benzin.
- Um den Alterungsprozess zu verlangsamen, lagern Sie Benzin in einem zertifizierten Kraftstoffbehälter.
- Wenn eine längere Lagerung (mehr als 30 Tage) vorherzusehen ist, entleeren Sie den Kraftstofftank und den Vergaser (siehe Seite 33).

Die Verwendung von Benzinbeimischungen wird nicht empfohlen; diese können die Komponenten des Kraftstoffsystems beschädigen.

## Alkohohaltiges Benzin

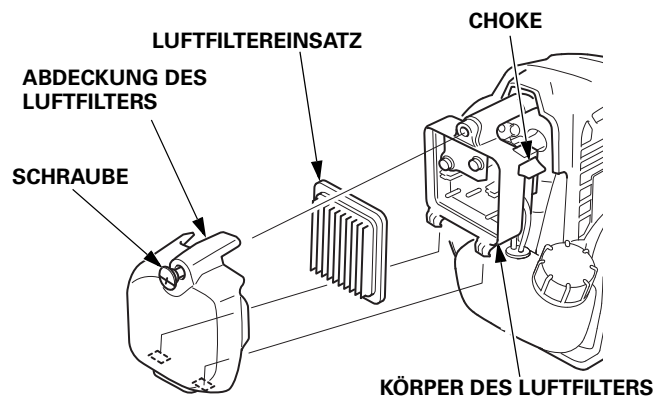
Wenn Sie sich dafür entscheiden, ein Benzin zu verwenden, das Alkohol enthält (Gasohol), stellen Sie sicher, dass die Oktananzahl mindestens so hoch ist wie der von Honda empfohlene Wert. Es gibt zwei Typen "Gasohol": einen, der Ethanol enthält, und einen, der Methanol enthält. Verwenden Sie nur Benzin mit einem Ethanolgehalt von höchstens 10% (E10). Verwenden Sie kein Benzin, das Methanol (Methyl- oder Holzalkohol) enthält, sofern es nicht ebenso Cosolventien und Korrosionsinhibitoren enthält.

### HINWEIS:

- Beschädigungen des Kraftstoffsystems oder Leistungsstörungen des Motors, die sich aus der Verwendung von Benzin ergeben, das mehr Alkohol als empfohlen enthält, fallen nicht unter den Garantierahmen.
- Bevor Sie an einer unbekannt Tankstelle Benzin kaufen, vergewissern Sie sich, ob das Benzin Alkohol enthält. Wenn ja, finden Sie heraus, welche Art von Alkohol enthalten ist, und in welcher prozentualen Menge. Wenn Ihnen beim Betrieb unerwünschte Erscheinungen bei der Verwendung einer bestimmten Benzinart auffallen, wechseln Sie zu einem Benzin, von dem Sie wissen, dass es eine geringere Alkoholmenge als die empfohlene Menge enthält.

## KONTROLLIEREN DES LUFTFILTERS

1. Bewegen Sie den Choke auf die Stellung GESCHLOSSEN (nach oben).
2. Lösen Sie die Schraube und entfernen Sie die Abdeckung des Luftfilters von dem Körper des Luftfilters.
3. Prüfen Sie, ob der Luftfiltereinsatz verschmutzt oder verstopft ist. Reinigen Sie den Luftfiltereinsatz, wenn dieser schmutzig ist (siehe Seite 31). Entfernen Sie den Luftfiltereinsatz, wenn er extrem verunreinigt ist.
4. Setzen Sie den Luftfiltereinsatz wieder ein.
5. Bringen Sie die Abdeckung des Luftfilters an und ziehen Sie die Schraube fest an.



### HINWEIS:

Lassen Sie den Motor niemals ohne den Luftfilter laufen, da dies zu einem sehr schnellen Verschleiß des Motors führt.

## KONTROLLIEREN DER FUNKTION DES GASREGULIERUNGSHEBELS

Prüfen Sie, ob der Gasregulierungshebel sich problemlos bedienen lässt und stets in die Ruhestellung zurückspringt.

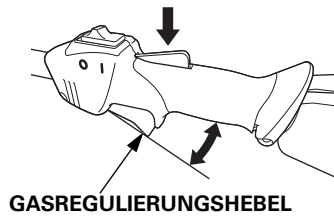
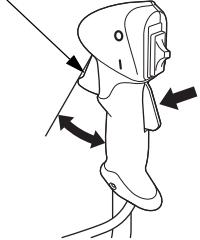
Wenn er sich nicht problemlos bedienen lässt, prüfen und justieren Sie das Spiel des Gaszugs. Wenden Sie sich bezüglich der Wartung an Ihren Wartungshändler.

Wenn der Hebel nicht in die Ruhestellung zurückspringt, nehmen Sie den Freischneider nicht in Betrieb. Wenden Sie sich an Ihren Wartungshändler.

Typ UEET, XEET

Typ LEET

### GASREGULIERUNGSHEBEL



## KONTROLLIEREN DER SCHUTZABDECKUNG DES SCHNEIDWERKZEUGS / ABNEHMEN UND ANBRINGEN DES UNTERTEILS DER SCHUTZABDECKUNG DES SCHNEIDWERKZEUGS

### ▲ WARNUNG

- Verwenden Sie den Freischneider niemals ohne die Schutzabdeckung des Schneidwerkzeugs. Steine oder Fremdkörper, die von dem rotierenden Schneidwerkzeug nach außen geschleudert werden oder mit dem rotierenden Schneidwerkzeug in Kontakt kommen, können zu Körperverletzungen oder Sachschäden führen.

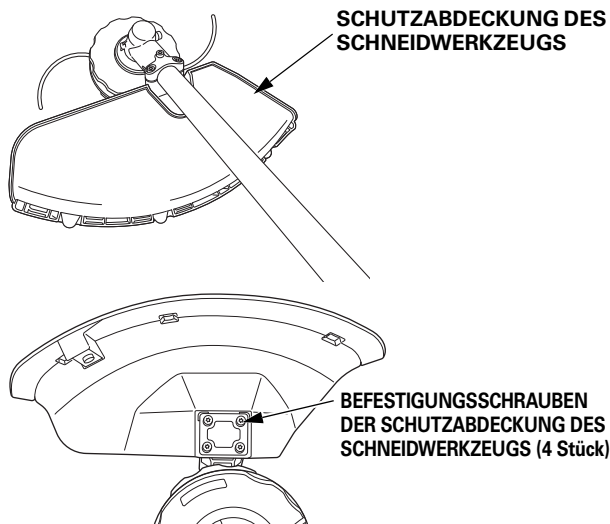
### VORSICHT:

- Tragen Sie Arbeitshandschuhe, um Ihre Hände zu schützen, wenn Sie Arbeiten um das Schneidwerkzeug herum vornehmen.
- Um Körperverletzungen zu vermeiden, installieren Sie die Abdeckung des Schneidmittels, bevor Sie Wartungsarbeiten im Bereich des Stahlschneidmittels vornehmen.

Um die Abdeckung des Schneidmittels zu installieren, siehe Seite 14.

### Kontrollieren der Schutzabdeckung des Schneidwerkzeugs

1. Schalten Sie den Motor durch Schalten des Motorschalters in die Stellung AUS ab.
2. Prüfen Sie die Schutzabdeckung des Schneidwerkzeugs, um sicherzustellen, dass diese korrekt installiert wurde und nicht beschädigt ist. Wenn die Schutzabdeckung des Schneidwerkzeugs beschädigt ist, ersetzen Sie diese, bevor Sie den Freischneider verwenden.
3. Prüfen Sie, ob sich die Befestigungsschrauben der Schutzabdeckung des Schneidwerkzeugs gelockert haben. Ziehen Sie die Schrauben gegebenenfalls nach.
4. Achten Sie darauf, dass die Position und Ausrichtung der Schutzabdeckung des Schneidwerkzeugs wie nachfolgend ist.



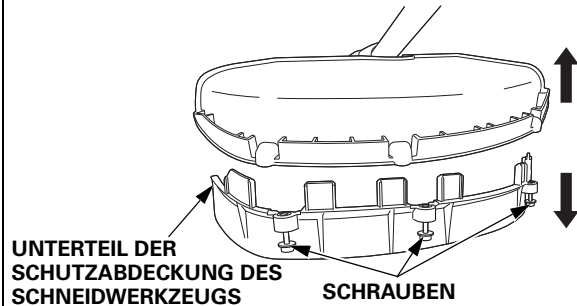
## Abnehmen und Anbringen des Unterteils der Schutzabdeckung des Schneidwerkzeugs

Wenn Sie den Freischneider mit dem Stahlschneidmittel (3-zahnig oder 4-zahnig) verwenden, nehmen Sie das Unterteil der Schutzabdeckung des Schneidwerkzeugs ab.

Bei der Verwendung des flexiblen Schneidmittels bringen Sie das Unterteil der Schutzabdeckung des Schneidwerkzeugs an.

Abnehmen (für den Einsatz des Stahlschneidmittels (3-zahnig oder 4-zahnig)):

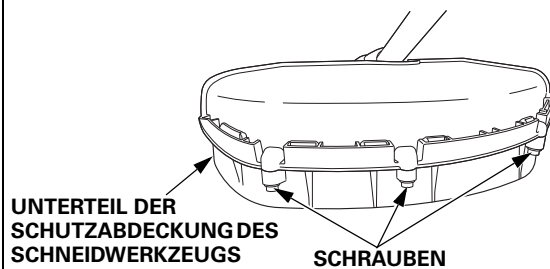
Entfernen Sie die drei Schrauben, dann nehmen Sie das Unterteil der Schutzabdeckung des Schneidwerkzeugs ab.



Anbringen (für den Betrieb des flexiblen Schneidwerkzeugs):

Setzen Sie die beiden Teile der Schutzabdeckung des Schneidwerkzeugs ein und spannen Sie diese ein.

Setzen Sie drei Schrauben ein und ziehen Sie diese an.



## KONTROLLIEREN DES GETRIEBEKOPFS

### ⚠ WARNUNG

- Um schwere Körperverletzungen zu vermeiden, stellen Sie sicher, dass der Motorschalter in der Stellung AUS steht, um ein unbeabsichtigtes Starten zu verhindern.
- Kontrollieren Sie aus Sicherheitsgründen den Getriebekopf auf Verschleiß und Beschädigungen, bevor Sie den Motor starten.

### VORSICHT:

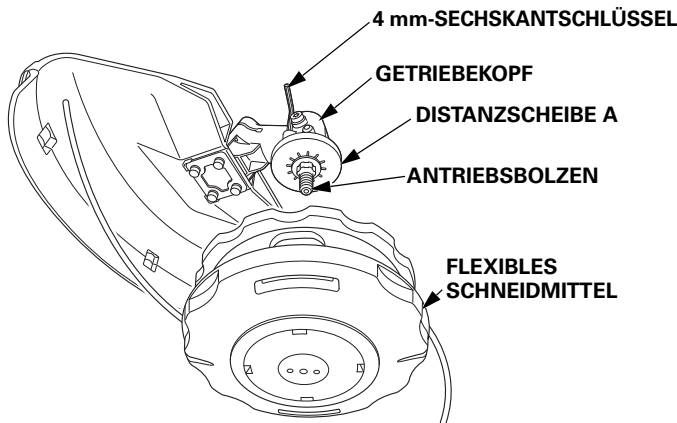
- Tragen Sie Arbeitshandschuhe, um Ihre Hände zu schützen, wenn Sie Arbeiten um das Schneidwerkzeug herum vornehmen.
- Um Körperverletzungen zu vermeiden, installieren Sie die Abdeckung des Schneidmittels, bevor Sie Wartungsarbeiten im Bereich des Stahlschneidmittels vornehmen.

Um die Abdeckung des Schneidmittels zu installieren, siehe Seite 14.

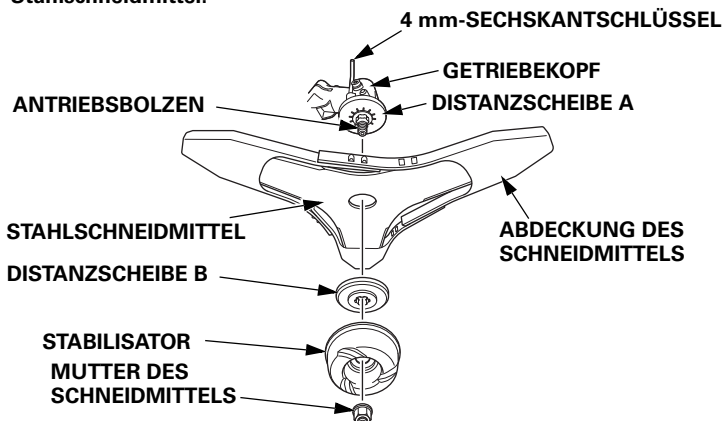
### Kontrollieren des Getriebekopfs

1. Schalten Sie den Motor durch Schalten des Motorschalters in die Stellung AUS ab.
2. Prüfen Sie, ob sich Gras oder Fasern zwischen der Distanzscheibe A und dem Schneidwerkzeug verfangen haben. Wenn ja, entfernen Sie diese.
3. Wenn das Gras oder die Fasern entfernt wurden, prüfen Sie, ob sich zwischen dem Getriebekopf und der Distanzscheibe A Schlamm oder Schmutz befindet. Wenn ja, entnehmen Sie das Schneidwerkzeug (siehe Seite 28) und reinigen Sie den Getriebekopf. Führen Sie bei der Reinigung gleichzeitig das "Kontrollieren des Antriebsbolzens" durch.

### Flexibles Schneidmittel:



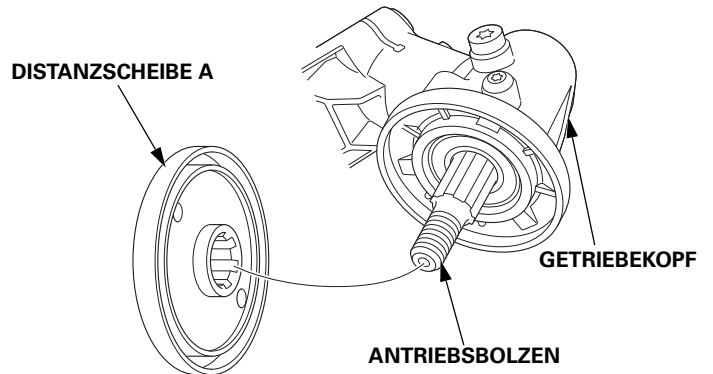
### Stahlschneidmittel:



## Reinigen des Getriebekopfs

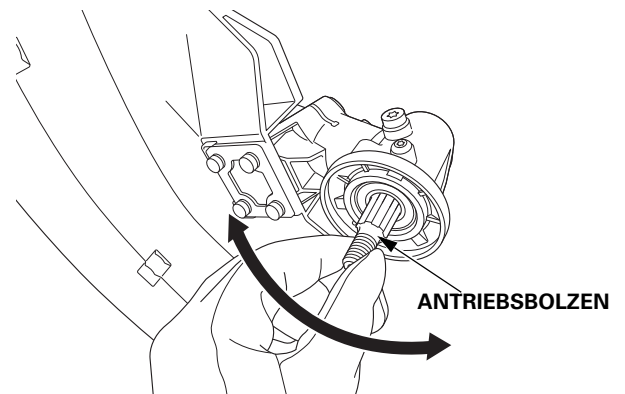
Wenn sich zwischen dem Getriebekopf und der Distanzscheibe kontaminiertes Material wie Gras, Fasern, Schlamm oder Schmutz befindet, führen Sie auf die folgende Weise eine Reinigung durch.

1. Schalten Sie den Motor durch Schalten des Motorschalters in die Stellung AUS ab.
2. Entfernen Sie das Schneidwerkzeug. (Siehe Seite 28)
3. Entfernen Sie die Distanzscheibe A.
4. Entfernen Sie Gras, Fasern, Schlamm, oder Schmutz um die Distanzscheibe und den Antriebsbolzen.



### Kontrollieren des Antriebsbolzens

Halten Sie den Antriebsbolzen, bewegen Sie ihn nach links und rechts und prüfen Sie, ob er lose ist. Wenn er lose ist, ist der Getriebekopf zu ersetzen. Wenden Sie sich für den Austausch an Ihren Wartungshändler.



Achten Sie nach dem "Reinigen des Getriebekopfs" und dem "Kontrollieren des Antriebsbolzens" darauf, dass Sie die Distanzscheibe A an dem Getriebekopf montieren, bevor Sie das Schneidwerkzeug wieder anbringen. Um das Schneidwerkzeug anzubringen, siehe Seite 28.



## KONTROLLIEREN DES SCHNEIDWERKZEUGS

### ⚠ WARNUNG

- Um schwere Körperverletzungen zu vermeiden, stellen Sie sicher, dass der Motorschalter in der Stellung AUS steht, um ein unbeabsichtigtes Starten zu verhindern.
- Prüfen Sie zur Sicherheit das Schneidwerkzeug auf Abnutzung und Beschädigungen und prüfen Sie, ob das Schneidwerkzeug fest montiert ist, bevor Sie den Motor starten. Das Verwenden des Freischneiders mit einem abgenutzten, gebrochenen oder beschädigten Schneidwerkzeug kann Körperverletzungen oder Beschädigungen des Freischneiders verursachen. Ein abgenutztes, gebrochenes oder beschädigtes Schneidwerkzeug kann den Bediener oder umstehende Personen treffen und schwere bis lebensgefährliche Körperverletzungen verursachen.

### VORSICHT:

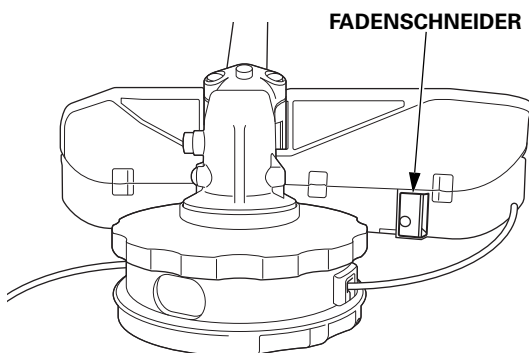
- Tragen Sie Arbeitshandschuhe, um Ihre Hände zu schützen, wenn Sie Arbeiten um das Schneidwerkzeug herum vornehmen.
- Um Körperverletzungen zu vermeiden, installieren Sie die Abdeckung des Schneidmittels, bevor Sie Wartungsarbeiten im Bereich des Stahlschneidmittels vornehmen.

Um die Abdeckung des Schneidmittels zu installieren, siehe Seite 14.

Um das Schneidwerkzeug auszuwählen, siehe "Anwendungsbereiche des Schneidwerkzeugs" auf Seite 24.

### Flexibles Schneidmittel

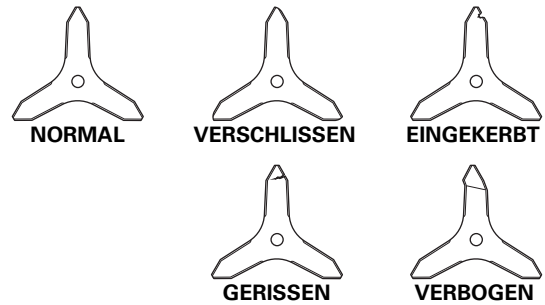
1. Schalten Sie den Motor durch Schalten des Motorschalters in die Stellung AUS ab.
2. Prüfen Sie, ob das flexible Schneidmittel lose ist. Ziehen Sie das flexible Schneidmittel fest an, wenn es lose ist (siehe Seite 28).
3. Prüfen Sie, ob der Nylonfaden ausgefranst ist. Wenn der Nylonfaden beschädigt ist, rollen Sie den Nylonfaden gemäß dem folgenden Verfahren weiter ab. Um den Nylonfaden weiter abzurollen, siehe Seite 25. Bevor Sie Nylonfaden zuführen, prüfen Sie, dass der Fadenschneider frei von Staub, Schmutz oder anderen Fremdkörpern ist. Reinigen Sie den Fadenschneider gegebenenfalls.



## Stahlschneidmittel

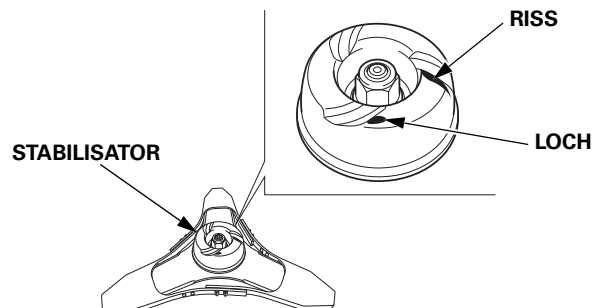
1. Schalten Sie den Motor durch Schalten des Motorschalters in die Stellung AUS ab.
2. Prüfen Sie, ob die Mutter des Schneidmittels fest ist. Ziehen Sie die Mutter fest an, wenn sie lose ist (siehe Seite 10).
3. Kontrollieren Sie das Stahlschneidmittel auf Verschleiß, Verbiegungen, Risse und andere Beschädigungen. Wenn das Stahlschneidmittel verschlissen, gerissen, angeschlagen oder auf andere Weise beschädigt ist, ersetzen Sie das beschädigte Stahlschneidmittel mit einem neuen Original-Ersatzstahlschneidmittel von Honda oder einem gleichwertigen Produkt.

Ein stumpfes Stahlschneidmittel kann nachgeschliffen werden. Wenn dies für Sie zu schwierig ist, wenden Sie sich bitte an Ihren Wartungshändler.



## ÜBERPRÜFUNG DES STABILISATORS (FÜR DAS STAHLSCHEIDMITTEL)

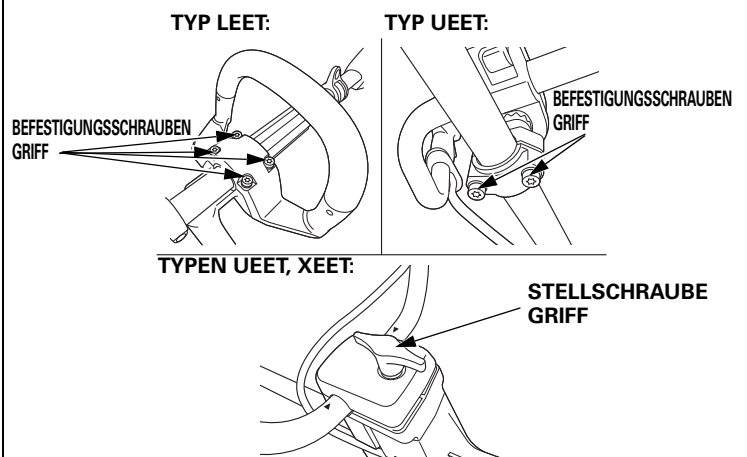
Kontrollieren Sie den Verschleiß des Stabilisators. Wenn Sie Löcher oder Risse darin entdecken, ersetzen Sie ihn. Wenden Sie sich für den Austausch an Ihren Wartungshändler.



## KONTROLLIEREN ALLER SCHRAUBEN UND MUTTERN

Kontrollieren Sie vor jedem Arbeitseinsatz, ob die Schrauben und Muttern lose sind. Wenn die Schrauben und Muttern lose sind, ziehen Sie sie an.

1. Kontrollieren Sie bei jeder Schraube und Mutter des Motors und des Rahmens, ob sie sich gelöst hat. Ziehen Sie sie gegebenenfalls fest.
2. Prüfen Sie den Griff auf lose Befestigungsstifte oder -schrauben und ziehen Sie diese gegebenenfalls an.





## AUSBALANCIEREN DES FREISCHNEIDERS

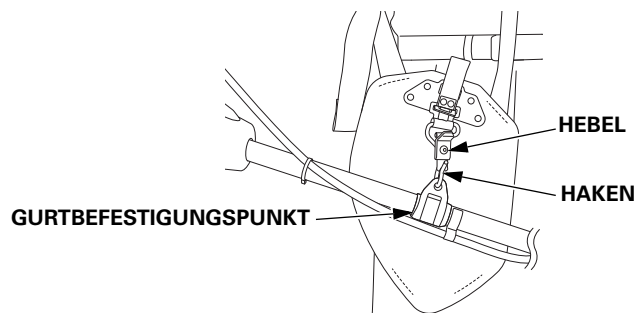
### ⚠ WARNUNG

- Legen Sie unbedingt den Doppelgurt an, bevor Sie den Freischneider verwenden. Andernfalls können durch dessen Instabilität Verletzungen verursacht werden.
- Zur Sicherheit des Bedieners und für dessen Komfort ist es wichtig, die Gurte so anzupassen, dass diese bequem getragen werden können und die Maschine in der Arbeitsposition korrekt ausbalanciert ist.

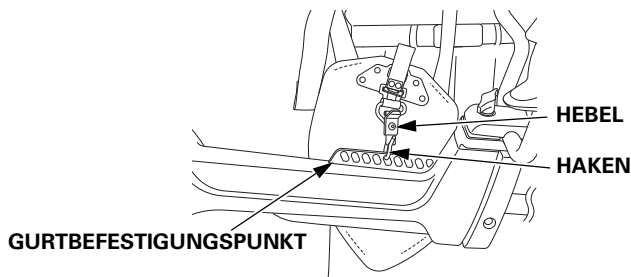
### Kontrollieren Sie den Doppelgurt

1. Legen Sie den Doppelgurt an. (Siehe Seite 20)
2. Befestigen Sie den Haken an dem Gurtbefestigungspunkt. (Siehe Seite 12)
3. Kontrollieren Sie, dass der Haken sicher an dem Gurtbefestigungspunkt befestigt ist.
4. Kontrollieren Sie, dass der Schwerpunkt und die Position des Freischneiders wie folgt sind.

### Typ UEET, LEET



### Typ XEET



### Richtiger Schwerpunkt

1. Positionieren Sie den Doppelgurt so, dass der Gurtbefestigungspunkt auf Ihrer rechten Hüfte liegt (siehe Seite 20).
2. Halten Sie den Freischneider so, dass das Schneidwerkzeug parallel zum Boden liegt, indem Sie den Griff mit beiden Händen halten.
3. Stellen Sie die Länge des Doppelgurts (Seite 20), die Griffposition oder den Winkel der Griffstange (Seite 19) so ein, dass sich das Schneidwerkzeug parallel und in einem Abstand zum Boden befindet.



### ⚠ WARNUNG

Bedienen Sie den Freischneider nicht, wenn das drehende Schneidwerkzeug in Kontakt mit Ihren Füßen kommen könnte. Ihre Füße können verletzt werden, wenn das drehende Schneidwerkzeug Ihre Füße berührt.

## EINSTELLEN DES GRIFFS

### Einstellen der Position der Griffhalterung (nur Typen UEET, LEET)

#### Typ UEET

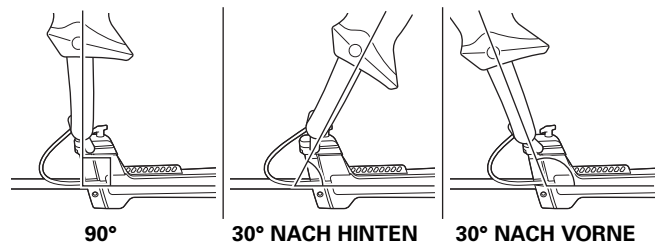
Sie können die Griffhalterung nach vorne oder nach hinten bewegen. Um die Position der Griffhalterung einzustellen, siehe Seite 8. Aus Sicherheitsgründen dürfen die Griffstange und die Griffhalterung nicht über den Sicherheitsbund hinaus montiert werden.

#### Typ LEET

Die Position des Einhandbügels kann nach vorne oder nach hinten gestellt werden. Siehe Seite 8. Aus Sicherheitsgründen darf der Einhandbügel nicht über den Sicherheitsbund hinaus montiert werden.

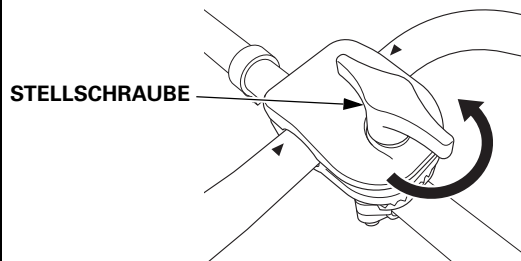
### EINSTELLEN DER GRIFFSTANGE (NUR FÜR TYPEN UEET, XEET)

Der Standardwinkel beträgt 90 Grad. Sie können die Griffstange von dem Standardwinkel um 30 Grad nach vorne oder nach hinten stellen.



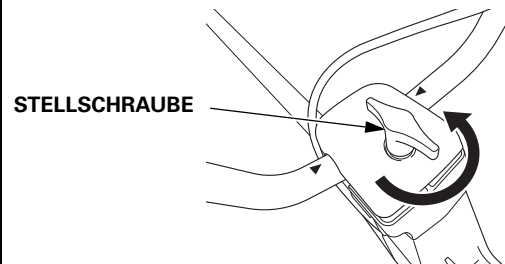
#### Typ UEET

Um den Winkel der Griffstange einzustellen, lösen Sie leicht die Stellschraube und kippen Sie die Griffstange. Ziehen Sie die Stellschraube fest an.



#### Typ XEET

Um den Winkel der Griffstange einzustellen, lösen Sie leicht die Stellschraube und kippen Sie die Griffstange. Drücken Sie leicht auf die Griffhalterung A und ziehen Sie die Stellschraube fest an.



Vergewissern Sie sich nach einer Einstellung der Griffposition oder des Winkels der Griffstange, dass der Gaszug nicht strammgezogen wird. Prüfen Sie ebenso, dass der Gasregulierungshebel sich problemlos bedienen lässt.

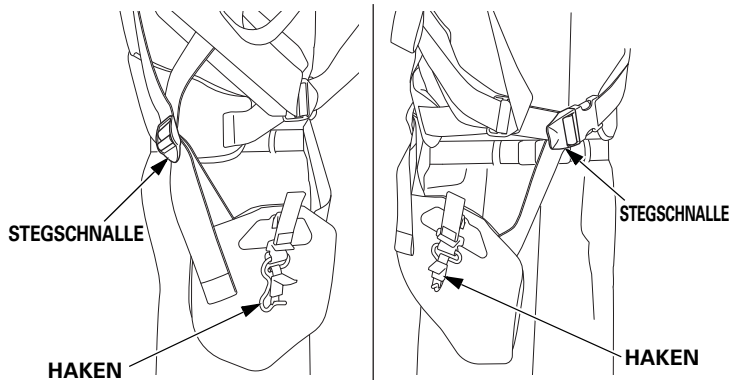
## EINSTELLEN DES DOPPELGURTS

Einstellungen werden durch ein Verlängern oder Verkürzen des Einstellbandes mit der Stegschnalle vorgenommen.

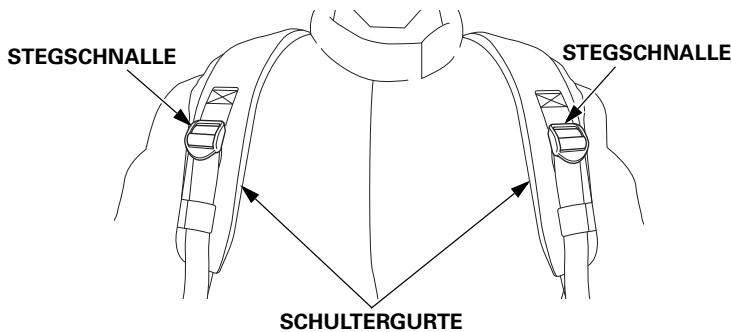
### Einstellpunkte

- Die Position des Hakens kann mit den Stegschnallen eingestellt werden, die von dem Hüftpolster herabhängen.
- Die Länge der Schultergurte und die Position des Hüftpolsters kann mit den Stegschnallen an den Schultergurten eingestellt werden.
- Der Sitz des Hüftpolsters kann mit der Stegschnalle auf der rechten Seite eingestellt werden.

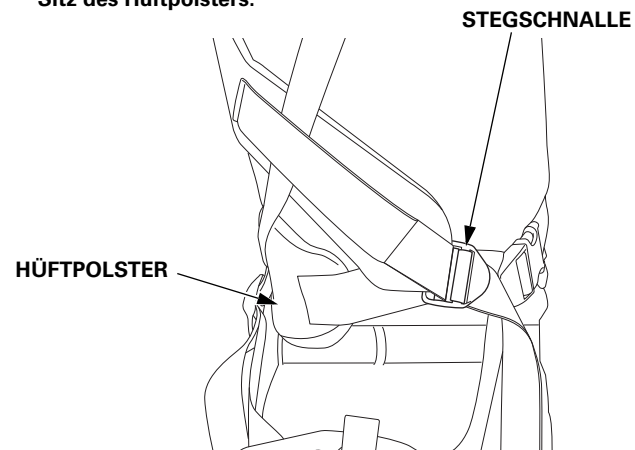
### Hakenposition:



### Länge der Schultergurte:

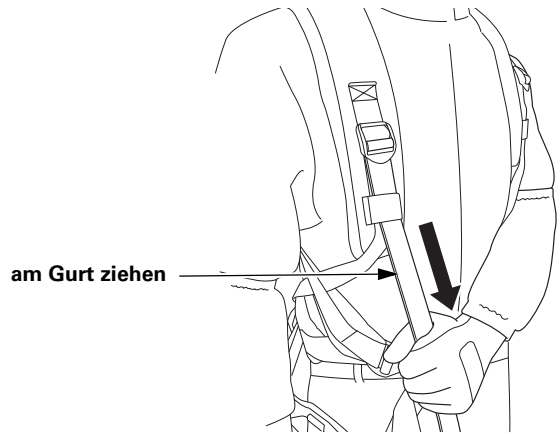


### Sitz des Hüftpolsters:

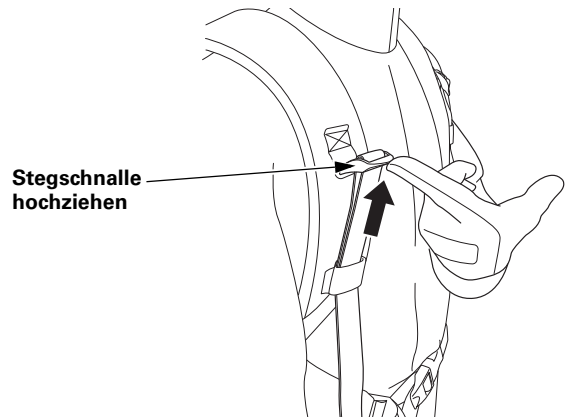


## Stegsnalle

### Zum Kürzen des Einstellbandes



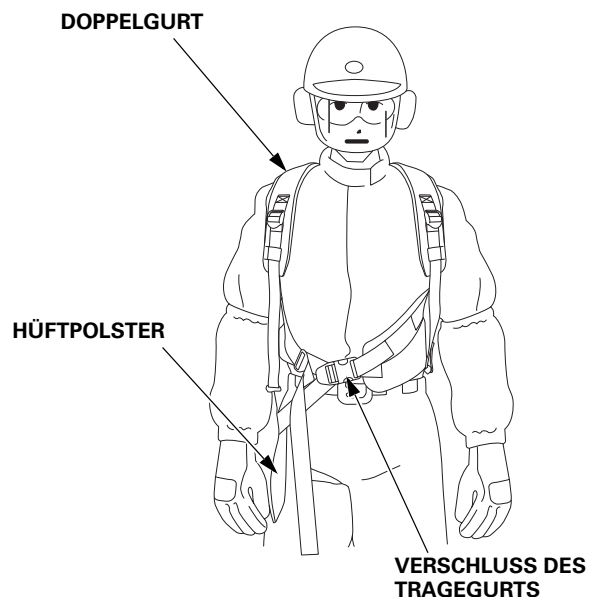
### Zum Verlängern des Einstellbandes



Alle Stegschnallen funktionieren auf dieselbe Art und Weise.

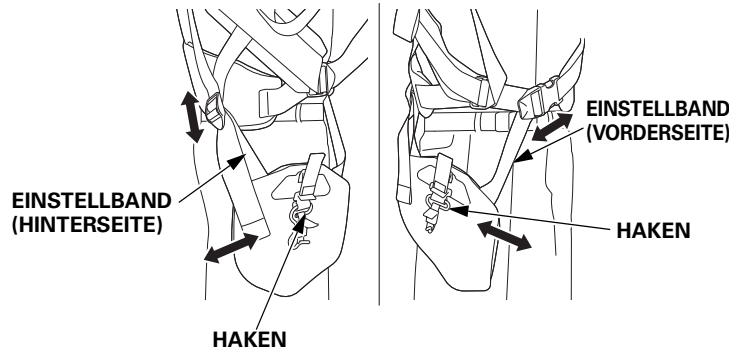
## Tragen des Doppelgurts

Tragen Sie den Doppelgurt so, dass sich das Hüftpolster auf der rechten Seite Ihres Körpers befindet. Stellen Sie sicher, dass sich der Gurt nicht verdreht. Schließen Sie den Verschluss des Doppelgurts auf der Vorderseite Ihres Körpers vollständig, bis Sie ein Klicken hören. Um den Verschluss des Doppelgurts zu lösen, ziehen Sie den Gurt nach rechts und nach links, während Sie auf den Verschluss drücken.



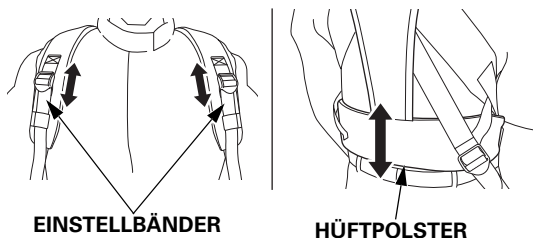
## Einstellen der Hakenposition

- Wenn Sie das vordere und hintere Einstellband verkürzen, erhöht sich dadurch die Position des Hakens.
- Das Verlängern des vorderen und hinteren Einstellbandes senkt die Position des Hakens ab.
- Durch das Einstellen des Einstellbandes auf einer Seite oder auf beiden Seiten in entgegengesetzten Richtungen wird der Haken in die Richtung bewegt, in die Sie gezogen haben. (Wenn z. B. das Einstellband auf der Vorderseite verkürzt wurde und das auf der Hinterseite verlängert, bewegt sich der Haken nach vorne.)



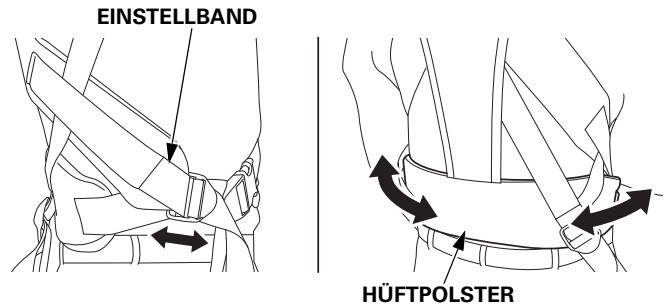
## Einstellen der Position des Schultergurts und des Hüftpolsters

- Verkürzen oder verlängern Sie die Einstellbänder, sodass das Hüftpolster Ihre Hüfte umgibt.
- Das Verkürzen der Einstellbänder hebt das Hüftpolster an.
- Das Verlängern der Einstellbänder senkt das Hüftpolster ab.
- Um die Gewichtsverteilung auf Schulter und Rücken zu verändern, passen Sie die Einstellbänder links oder rechts an.
- Durch das Verkürzen beider Einstellbänder wird mehr Gewicht auf die Schulter und den Rücken verlagert.
- Durch das Verlängern wird mehr Gewicht auf die Hüfte verlagert.



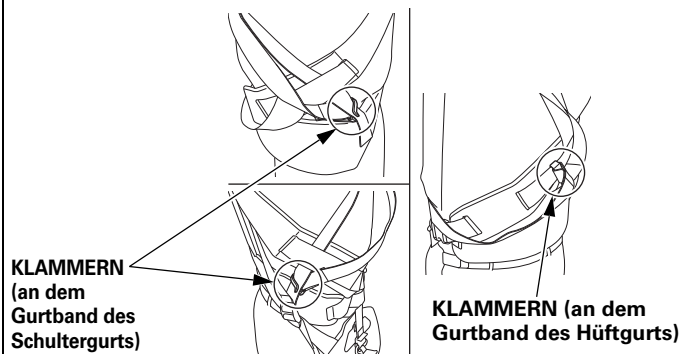
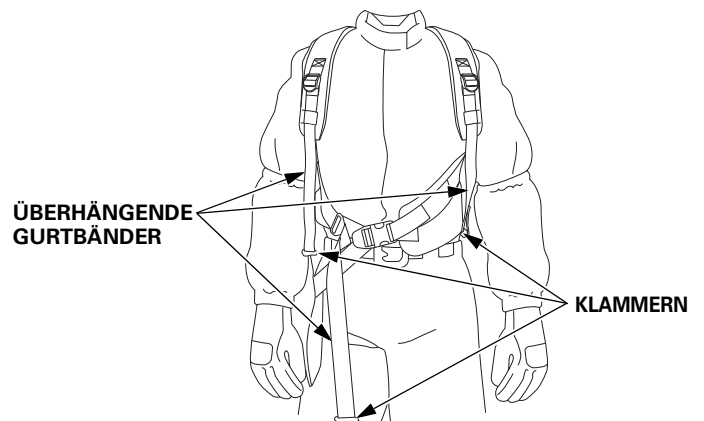
## Einstellen des Sitzes des Hüftpolsters

- Wenn Sie den Einstellgurt verkürzen, sitzt das Hüftpolster enger. Diese Einstellung eignet sich für Arbeiten mit schweren Belastungen, da das Eigengewicht des Freischneiders und die Reaktionskräfte mehr verteilt werden.
- Wenn Sie den Einstellgurt verlängern, erhöht dies den Schwingungsbereich des Freischneiders. Diese Einstellung eignet sich für Arbeiten unter leichten Reaktionskräften und mit leichten Belastungen, wie auf einem ebenen Gelände, bei Arbeiten, für die eine flexiblere Bewegung erforderlich ist.



## Fixieren der überhängenden Gurtbänder

Nachdem der Gurt eingestellt wurde, fixieren Sie die überhängenden Gurtbänder am Gürtel unter Verwendung der Halteklammern.



Befestigen Sie die Klammern nicht wie folgt:

- mit der Klammer auf der linken Seite an dem Gurtband auf der rechten Seite und umgekehrt
- an einer Stelle, die sich nicht auf dem Doppelgurt befindet

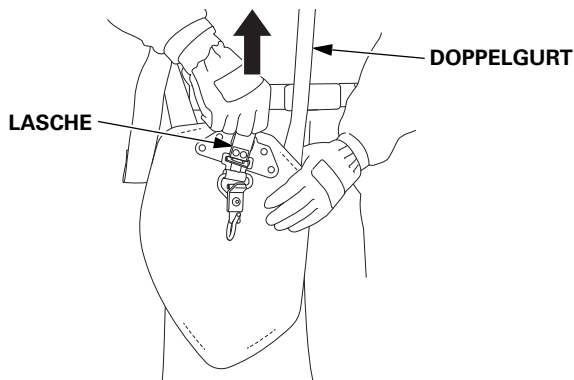
Wenn Sie die Klammern auf eine falsche Art und Weise befestigen, kann dies dazu führen, dass Sie den Doppelgurt nicht abnehmen können, auch wenn der Verschluss des Doppelgurts geöffnet wird.

## KONTROLLIEREN DES QUICK-RELEASE-MECHANISMUS

### HINWEIS:

- Wenn der Quick-Release-Mechanismus verwendet wird, um den Freischneider zu lösen, kann der Freischneider herunterfallen. Wenn Sie die Funktion des Quick-Release-Mechanismus überprüfen, befestigen Sie den Freischneider nicht an dem Haken am Hüftpolster, um zu verhindern, dass der Freischneider herunterfällt und beschädigt wird.

1. Legen Sie den Doppelgurt an.
2. Kontrollieren Sie, dass der Verschluss geöffnet wird, sobald Sie die Lasche des Quick-Release-Mechanismus nach oben ziehen, während Sie das Hüftpolster mit Ihrer linken Hand festhalten.
3. Führen Sie die Zunge der Lasche in den vorgesehenen Schlitz des Quick-Release-Mechanismus ein.



Wenn die Lasche nicht gelöst wird, lassen Sie dies von Ihrem Wartungshändler überprüfen und reparieren.

## KONTROLLIEREN DES LEERLAUFS DES MOTORS UND DER KUPPLUNGSFUNKTION

Diese Prüfung ist vor dem Start des Motors erforderlich. Um den Motor zu starten, siehe Seite 23.

### ⚠ WARNUNG

- **Abgase enthalten giftiges Kohlenmonoxid. Lassen Sie den Motor niemals in einem geschlossenen Bereich laufen. Sorgen Sie für eine ausreichende Belüftung.**
- **Starten Sie den Motor in einem Abstand von mindestens 15 m zu anderen Menschen, Tieren und umgebenden Gebäuden. Prüfen Sie, dass sich keine Hindernisse im Arbeitsbereich befinden.**

### VORSICHT:

Starten Sie den Motor nicht, wenn das Schneidwerkzeug den Boden oder ein Hindernis berührt. Der Freischneider kann unerwartete Bewegungen machen, die Ihre Beine etc. verletzen können.

### Kontrollieren des Motorleerlaufs

Starten Sie den Motor (siehe Seite 23), und prüfen Sie, ob die Leerlaufgeschwindigkeit normal ist. Wenn die Leerlaufgeschwindigkeit unnormale hoch oder niedrig ist, verwenden Sie den Freischneider nicht, und lassen Sie Ihren Freischneider durch Ihren Wartungshändler überprüfen.

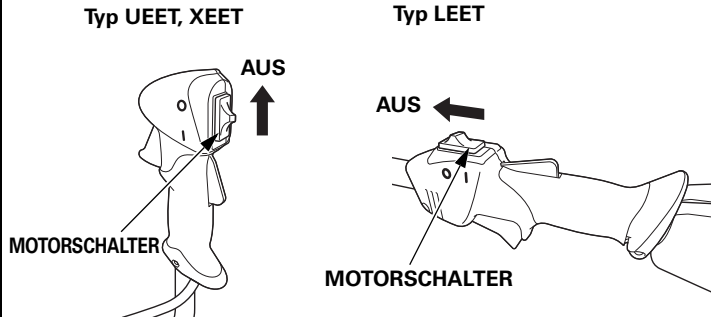
### Kontrollieren der Kupplungsfunktion

Prüfen Sie, dass das Schneidwerkzeug aufhört, sich zu drehen, wenn der Gasregulierungshebel gelöst ist.

Das Schneidwerkzeug sollte sich nicht drehen, wenn sich der Motor im Leerlauf befindet. Wenn bei Leerlauf eine Rotation vorliegt, stellen Sie die Leerlaufgeschwindigkeit korrekt ein, bevor Sie den Freischneider verwenden. Lassen Sie den Freischneider von Ihrem Wartungshändler überprüfen.

## KONTROLLIEREN DER FUNKTION DES MOTORSCHALTERS

Prüfen Sie, dass der Motor ausgeschaltet wird, wenn der Motorschalter in die Stellung AUS gestellt wird.



### VORSICHT:

- Beachten Sie, dass sich das Schneidwerkzeug durch das Trägheitsmoment noch eine Weile weiterdreht, nachdem der Motor ausgeschaltet wurde.
- Vergewissern Sie sich, dass der Motor ausgeschaltet ist und dass das Schneidwerkzeug aufgehört hat, sich zu drehen, bevor Sie den Freischneider auf den Boden stellen.

# STARTEN DES MOTORS

## ⚠ WARNUNG

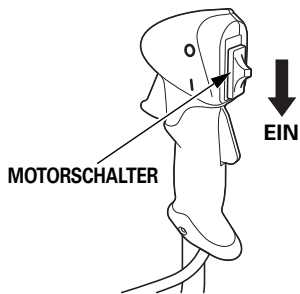
- Abgase enthalten giftiges Kohlenmonoxid. Lassen Sie den Motor niemals in einem geschlossenen Bereich laufen. Sorgen Sie für eine ausreichende Belüftung.
- Starten Sie den Motor in einem Abstand von mindestens 15 m zu anderen Menschen, Tieren und umgebenden Gebäuden. Prüfen Sie, dass sich keine Hindernisse im Arbeitsbereich befinden.

## VORSICHT:

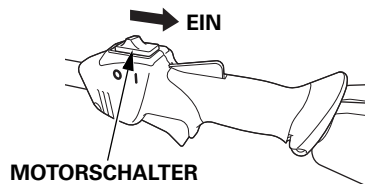
- Starten Sie den Motor nicht, wenn das Schneidwerkzeug den Boden oder ein Hindernis berührt. Der Freischneider kann unerwartete Bewegungen machen, die Ihre Beine etc. verletzen können.
- Tragen Sie Schutzkleidung und persönliche Schutzausrüstung (siehe Seite 2).

1. Den Motorschalter auf die Stellung EIN bewegen.

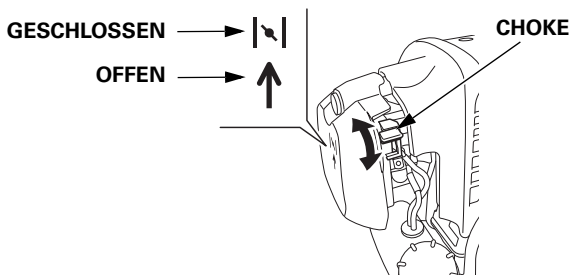
Typ UEET, XEET



Typ LEET

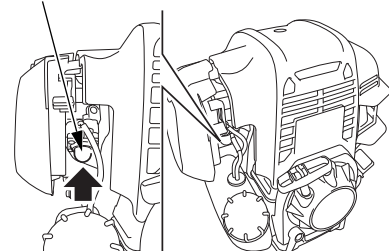


2. Um einen kalten Motor zu starten, Choke in die Stellung GESCHLOSSEN bewegen. Um einen betriebswarmen Motor neu zu starten, Choke in der Stellung OFFEN lassen.



3. Die Ansaugpumpe mehrere Male drücken, bis sie sich mit Kraftstoff füllt. Wenn die Ansaugpumpe zu oft gedrückt werden sollte, fließt der überschüssige Kraftstoff zum Kraftstofftank zurück. Wird die Ansaugpumpe zu schwach betätigt, startet der Motor möglicherweise nicht.

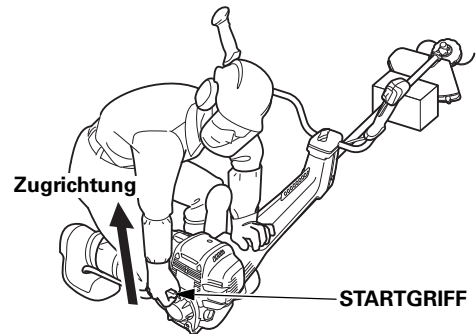
ANSAUGPUMPE



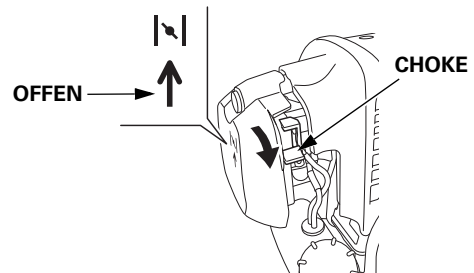
4. Drücken Sie den Startgriff leicht, bis Sie einen Widerstand spüren, während Sie die Getriebewelle mit Ihrem Fuß abstützen und die Getriebewelle mit ihrer Hand halten, dann ziehen Sie kräftig wie nachfolgend gezeigt in Pfeilrichtung. Den Startgriff sachte zurückführen.

## HINWEIS:

- Den Startgriff nicht gegen den Motor zurückschlagen lassen. Langsam zurückführen, damit der Starter nicht beschädigt wird.
- Wenn der Startgriff gezogen wird, während der Motor läuft, kann dies zu Beschädigungen führen.



5. Wenn der Chokehebel in die Stellung GESCHLOSSEN bewegt wurde, um den Motor zu starten, bewegen Sie ihn schrittweise in die Stellung OFFEN, während sich der Motor aufwärmt.





## BESCHNITT

Lesen und verstehen Sie die Sicherheitshinweise auf Seite 2 bis 4 vor dem ersten Gebrauch des Freischneiders. Wenn Ihnen unnormale Geräusche, Gerüche, Vibrationen oder andere ungewöhnliche Dinge auffallen, schalten Sie den Motor sofort aus und wenden Sie sich an Ihren Wartungshändler.




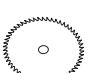
Stoppen Sie den Motor, wenn Sie die Länge des Doppelgurts anpassen.

### ▲ WARNUNG

- **Bedienen Sie den Freischneider nicht, wenn das drehende Schneidwerkzeug in Kontakt mit Ihren Füßen kommen kann. Ihre Füße können verletzt werden, wenn das drehende Schneidwerkzeug Ihre Füße berührt.**
- **Legen Sie unbedingt den Doppelgurt an, bevor Sie den Freischneider verwenden. Anderenfalls können durch dessen Instabilität Verletzungen verursacht werden.**
- **Prüfen Sie zur Sicherheit das Schneidwerkzeug auf Abnutzung und Beschädigungen und prüfen Sie, ob das Schneidwerkzeug fest montiert ist, bevor Sie den Motor starten. Das Verwenden des Freischneiders mit einem abgenutzten, gerissenen oder beschädigten Schneidwerkzeug kann Körperverletzungen oder Beschädigungen des Freischneiders verursachen. Ein abgenutztes, gerissenes oder beschädigtes Schneidwerkzeug kann den Bediener oder umstehende Personen treffen und schwere bis lebensgefährliche Körperverletzungen verursachen.**
- **Legen Sie unbedingt den Doppelgurt an, bevor Sie den Freischneider verwenden. Anderenfalls können durch dessen Instabilität Verletzungen verursacht werden.**
- **Zur Sicherheit des Bedieners und für dessen Komfort ist es wichtig, die Gurte so anzupassen, dass diese bequem getragen werden können und die Maschine in der Arbeitsposition korrekt ausbalanciert ist.**

## ANWENDUNGSBEREICHE DES SCHNEIDWERKZEUGS

Für einen effizienteren Einsatz wählen Sie das passende Schneidwerkzeug gemäß der Länge des Grases und anderer Bodenbedingungen aus.

Typ des Schneidwerkzeugs	Geeignete Bedingungen
 Flexibles Schneidmittel	Mähen von niedrigem Gras und Säubern
 Stahlschneidmittel (3-zahlig)	Beseitigen von dichtem oder verschlungenem Unkraut, Büschen wie Brombeerhecken oder Wildsträuchern, deren Stamm einen Durchmesser von weniger als 20 mm aufweist
 Stahlschneidmittel (4-zahlig) (optionales Teil)	
 Stahlschneidmittel (Kreissäge) (optionales Teil)	Schneiden von Sträuchern, Büschen und kleinen Bäumen, deren Stamm einen Durchmesser von weniger als 60 mm aufweist

## TRAGEN DES DOPPELGURTS UND BEFESTIGEN DES FREISCHNEIDERS AN DEM HAKEN

### HINWEIS:

Wenn Sie den Freischneider verwenden, schalten Sie zwischen Arbeitsvorgängen stets in den Leerlauf. Wenn der Motor bei maximaler Geschwindigkeit ohne Belastung (ohne Widerstand am Schneidwerkzeug) für längere Zeit läuft, kann der Motor schwer beschädigt werden.

1. Legen Sie den Doppelgurt an und stellen Sie den Sitz ein (siehe Seite 20).
2. Starten Sie den Motor (siehe Seite 23) und hängen Sie den Freischneider an den Haken des Doppelgurts (siehe Seite 12).
3. Vergewissern Sie sich, dass der Freischneider im Gleichgewicht bleibt (siehe Seite 19).

## GRUNDLEGENDE BEDIENUNG

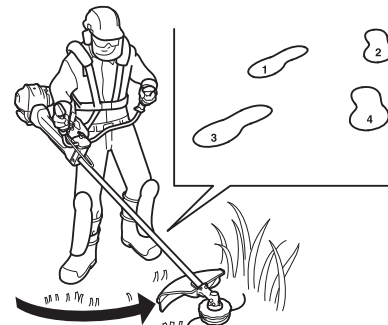
### Korrekte Haltung für Trimmvorgänge

- Halten Sie den Freischneider in der korrekten Position (siehe Seite 19).
- Lassen Sie den Griff langsam und vorsichtig los. Lassen Sie nicht vollständig los, sondern legen Sie beide Hände leicht auf den Griff und achten Sie darauf, dass sich der Abstand zwischen dem Schneidwerkzeug und dem Boden nicht wesentlich verändert.
- Halten Sie den Freischneider fest mit beiden Händen, wobei Ihre Finger und Daumen die Griffe umgeben. Auf diese Weise können Sie Freischneider jederzeit unter Kontrolle halten.
- Achten Sie auf einen festen Stand und auf ein gutes Gleichgewicht.
- Strecken Sie sich nicht zu sehr.
- Halten Sie das Schneidwerkzeug unter Kniehöhe.
- Achten Sie darauf, dass keine Teile Ihres Körpers in die Nähe des rotierenden Schneidwerkzeugs und der heißen Oberfläche geraten.

Es ist eine Anpassung erforderlich, wenn der Freischneider über Kniehöhe gehalten wird. Bedienen Sie den Freischneider nicht, bevor Sie die Anpassung vorgenommen haben. Wenn Sie mit einer korrekten Anpassung den Freischneider nicht im Gleichgewicht halten können, setzen Sie sich bitte mit Ihrem Wartungshändler in Verbindung.

### Grundlegender Ablauf eines Beschnitts

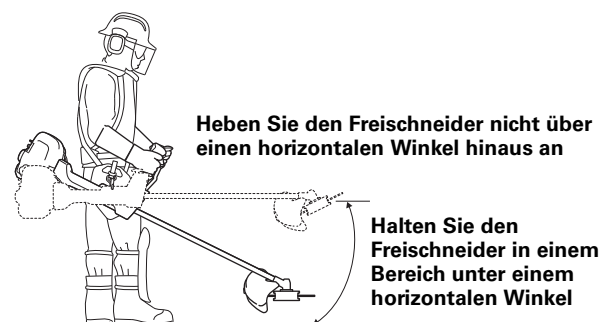
- Bedienen Sie den Freischneider nicht mit Ihren Armen, sondern unter Einsatz Ihrer Hüfte, sodass das Schneidwerkzeug in einem gleichmäßigen Bogen von rechts nach links schwingt. Halten Sie den Freischneider so, dass Sie Ihr Gewicht sicher und leicht auf das rechte Bein und dann auf das linke Bein verlagern können, und gehen Sie langsam und mit kleinen Schritten.
- Wenn Sie den Freischneider an einem Hang mit mittlerer Steigung verwenden, bleiben Sie stets an der unteren Seite des Hangs. Steile Steigungen sind rutschig, und Sie können das Gleichgewicht verlieren. Verwenden Sie den Freischneider nicht an einem steilen Hang.



### VORSICHT:

Achten Sie gut darauf, wohin Sie treten. Verwenden Sie den Freischneider nicht in einem rutschigen Bereich, da Sie ansonsten das Gleichgewicht verlieren können.

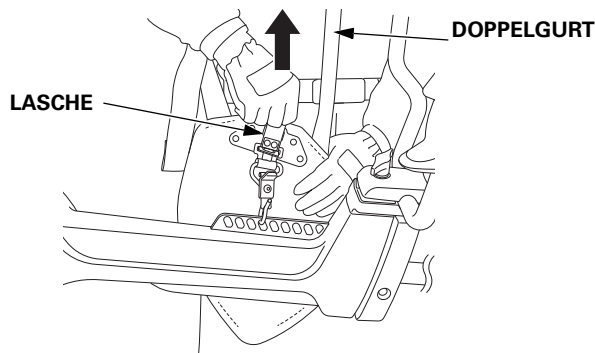
- Heben Sie den Freischneider während Sie ihn verwenden nicht über einen horizontalen Winkel hinaus an. Halten Sie den Freischneider stets in einem Bereich unter einem horizontalen Winkel.





## In einem Notfall

Ziehen Sie in einem Notfall die Lasche des Quick-Release-Mechanismus nach oben und drücken Sie den Freischneider weg, um den Freischneider von dem Doppelgurt zu lösen.

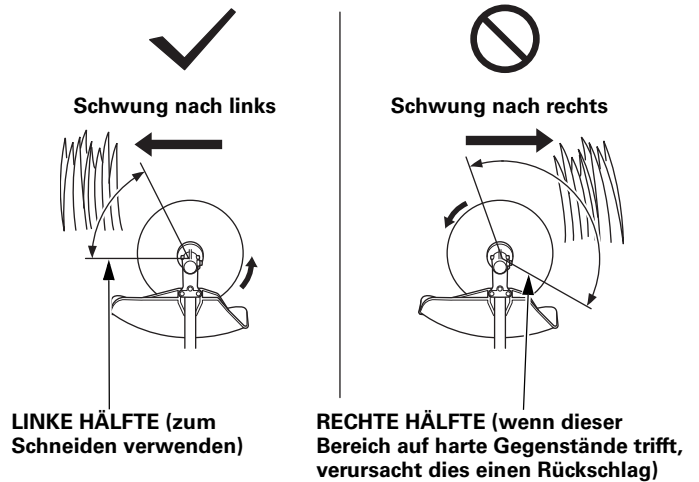


## Vermeiden eines Rückschlags

Die Abschnitte des Stahlschneidmittels der "rechten Hälfte" dürfen nicht zum Schneiden verwendet werden. Ein Kontakt des Stahlschneidmittels mit einem harten Gegenstand, während das Stahlschneidmittel rotiert, führt dazu, dass das Werkzeug in der Rotationsrichtung abprallt (dieses Phänomen wird "Rückschlag" genannt).

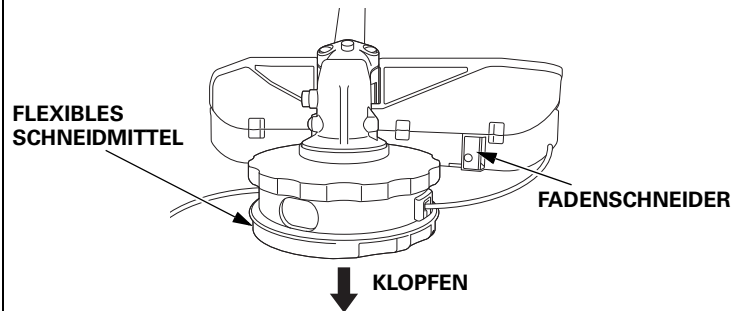
### ⚠ WARNUNG

- Lassen Sie niemals das drehende Stahlschneidmittel in Kontakt mit harten Gegenständen wie Steinen, Bäumen, Pfählen oder Beton kommen. Wenn das Stahlschneidmittel auf solche Gegenstände trifft, verursacht dies einen Rückschlag. Schneiden Sie nie sehr hartes Holz und/oder sehr harte Pflanzen mit einem großen Stammdurchmesser mit dem Stahlschneidmittel, da dies einen Rückschlag verursacht. Durch einen Rückschlag verlieren Sie die Kontrolle über den Freischneider, und das Stahlschneidmittel kann in Kontakt mit dem Bediener oder umstehenden Personen geraten und schwere oder sogar lebensgefährliche Verletzungen verursachen. Ein Rückschlag verursacht ebenfalls die Abnutzung, ein Reißen oder Beschädigungen des Schneidwerkzeug, das dann zerbrechen kann, und herausgeschleuderte Teile des Stahlschneidmittels können den Bediener oder umstehende Personen treffen und schwere bis lebensgefährliche Körperverletzungen verursachen.
- Der Schneidvorgang darf nur während der Schwingbewegung nach links stattfinden. Die Abschnitte des Stahlschneidmittels der "rechten Hälfte" dürfen nicht zum Schneiden verwendet werden. Mähen Sie kein Gras, wenn Sie nach rechts schwingen. Wenn Sie in dieser Richtung auf einen harten Gegenstand treffen, verursacht dies einen Rückschlag, was zu einer schweren oder lebensgefährlichen Verletzung führen kann.
- Wenn das Stahlschneidmittel in Kontakt mit einem Hindernis kommt, schalten Sie sofort den Motor aus. Kontrollieren Sie das Stahlschneidmittel, wenn sich das Stahlschneidmittel nicht mehr dreht. Nehmen Sie niemals den Betrieb mit einem gebrochenen oder beschädigten Stahlschneidmittel wieder auf.



## Zuführen von Faden bei dem flexiblen Schneidmittel

Bei diesem Typ des Schneidmittels wird der Nylonfaden abgewickelt, wenn Sie mit dem flexiblen Schneidmittel leicht gegen den Boden klopfen, während der Motor läuft. Hiermit muss eine Schutzabdeckung mit einem Fadenschneider verwendet werden.



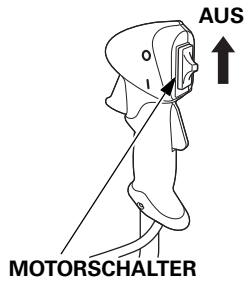
## STOPPEN DES MOTORS

1. Lassen Sie den Gasregulierungshebel los.
2. Den Motorschalter auf die Stellung AUS bewegen.

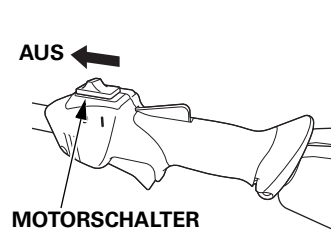
### VORSICHT:

- Beachten Sie, dass sich das Schneidwerkzeug durch das Trägheitsmoment noch eine Weile weiterdreht, nachdem der Motor ausgeschaltet wurde.
- Vergewissern Sie sich, dass der Motor ausgeschaltet ist und dass das Schneidwerkzeug aufgehört hat, sich zu drehen, bevor Sie den Freischneider auf den Boden stellen.

Typ UEET, XEET



Typ LEET



## WARTUNG

Regelmäßige Kontrollen und Justierungen des Freischneiders sind sehr wichtig, um die hohe Leistungsfähigkeit der Maschine zu erhalten. Durch eine regelmäßige Wartung kann die Lebensdauer ebenso verlängert werden. Die erforderlichen Wartungsintervalle und die Art der durchzuführenden Wartungsarbeiten werden im Wartungsplan beschrieben. Um die Lebensdauer der Maschine zu verlängern und ihre Effizienz beizubehalten, halten Sie die Unterseite der Schutzabdeckung des Schneidwerkzeugs sauber und frei von gemähem Gras, indem Sie sie nach jeder Verwendung mit einem Schlauch abspülen und/oder indem Sie sie mit einer Drahtbürste und einem Kratzer reinigen.

### ▲ WARNUNG

- **Bevor Sie Wartungsarbeiten durchführen, legen Sie den Freischneider auf einer ebenen Fläche ab und vergewissern Sie sich, dass sich das Schneidwerkzeug nicht dreht, und schalten Sie den Motorschalter auf die Stellung AUS, um sicherzugehen, dass der Motor nicht unbeabsichtigt gestartet wird.**
- **Der Freischneider sollte durch Ihren Wartungshändler gewartet werden, es sei denn, der Eigentümer verfügt über die geeigneten Werkzeuge und Servicedaten und ist der Ansicht, dass er/sie technisch dazu qualifiziert ist.**

### VORSICHT:

- Verwenden Sie Honda-Originalteile oder gleichwertige Teile für Wartungs- oder Reparaturarbeiten. Ersatzteile, die keine gleichwertige Qualität aufweisen, können den Freischneider beschädigen.
- Um Körperverletzungen zu vermeiden, installieren Sie die Abdeckung des Schneidmittels, bevor Sie Wartungsarbeiten im Bereich des Stahlschneidmittels vornehmen.

Um die Abdeckung des Schneidmittels zu installieren, siehe Seite 14.

## WARTUNGSPLAN

REGELMÄSSIGER SERVICE (3)		Häufigkeit						Seite
		Bei jedem Gebrauch	Erster Monat oder nach 10 Stunden	Alle 3 Monate oder 25 Stunden	Alle 6 Monate oder 50 Stunden	Jährlich oder alle 100 Stunden	Zweijährlich oder alle 300 Stunden	
Position	Diese Arbeiten sollen in den angegebenen monatlichen oder betriebsstündlichen Abständen durchgeführt werden. Maßgeblich ist der frühere Zeitpunkt.							
Motoröl	Füllstand prüfen	o					14	
	Wechseln		o		o		31	
Luftfilter	Prüfen	o					15	
	Reinigen			o (1)			31	
	Austauschen					o	31	
Zündkerze	Prüfen, einstellen					o (2)	-	
	Austauschen						o (2)	
Gaszug / Gasregulierungshebel	Prüfen	o					16	
Funktion des Motorschalters	Prüfen	o					22	
Doppelgurt	Prüfen	o					19	
Schneidwerkzeug	Prüfen (gegebenenfalls ersetzen)	o					18	
Schutzabdeckung des Schneidwerkzeugs	Prüfen	o					16	
Leerlauf / Kupplung	Prüfen	o					22	
Motor kühl Lamellen	Prüfen/ reinigen				o (1)(2)		-	
Muttern, Schrauben, Befestigungselemente	Prüfen (gegebenenfalls anziehen)	o					18	
Kraftstofftank	Reinigen					o	32	
Kraftstofffilter	Prüfen					o	32	
Kupplungsbacke und -glocke	Prüfen				o (2)(4)		-	
Verschleiß des Getriebekopfs	Prüfen				o (2)		-	
Getriebekopf	Prüfen/ reinigen	o					17	
	Schmieren			o			32	
Leerlaufdrehzahl	Prüfen, einstellen					o (2)	-	
Ventilspiel	Prüfen, einstellen					o (2)	-	
Brennraum	Reinigen	Alle 2 Jahre oder alle 300 Stunden (2)						-
Kraftstoffleitungen	Prüfen	Jedes Jahr oder alle 100 Stunden (gegebenenfalls ersetzen) (2)						-
Ölleitungen	Prüfen	Alle 2 Jahre (gegebenenfalls ersetzen) (2)						-
Vibrationshemmendes Gummi (5)	Prüfen, einstellen				o (2)		-	

- (1) Führen Sie Wartungen bei einer Verwendung in staubigen Bereichen häufiger durch.
- (2) Diese Wartungsarbeiten sollten von Ihrem Wartungshändler ausgeführt werden, es sei denn, Sie verfügen über die richtigen Werkzeuge und technischen Qualifikationen. Beschreibungen der einzelnen Wartungsverfahren finden Sie im Honda-Werkstatthandbuch.
- (3) Führen Sie ein Betriebsstundenprotokoll, um die richtigen Wartungsintervalle bestimmen zu können.
- (4) Diese Verschleißteile sollten auch nach einer kurzen Betriebsdauer ersetzt werden, wenn dies erforderlich ist.
- (5) Typ XEET (entsprechender Typ)

## ERSATZ DES SCHNEIDWERKZEUGS

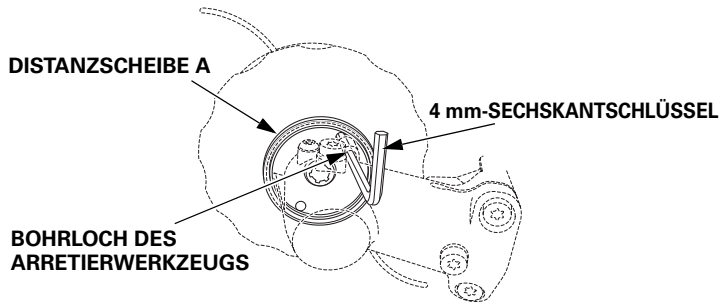
### ▲ WARNUNG

- Um schwere Körperverletzungen zu vermeiden, stellen Sie sicher, dass der Motorschalter in der Stellung AUS steht, um ein unbeabsichtigtes Starten zu verhindern.
- Prüfen Sie zur Sicherheit das Schneidwerkzeug auf Abnutzung und Beschädigungen und prüfen Sie, ob das Schneidwerkzeug fest montiert ist, bevor Sie den Motor starten. Das Verwenden des Freischneiders mit einem abgenutzten, gerissenen oder beschädigten Schneidwerkzeug kann Körperverletzungen oder Beschädigungen des Freischneiders verursachen. Ein abgenutztes, gerissenes oder beschädigtes Schneidwerkzeug kann den Bediener oder umstehende Personen treffen und schwere bis lebensgefährliche Körperverletzungen verursachen.

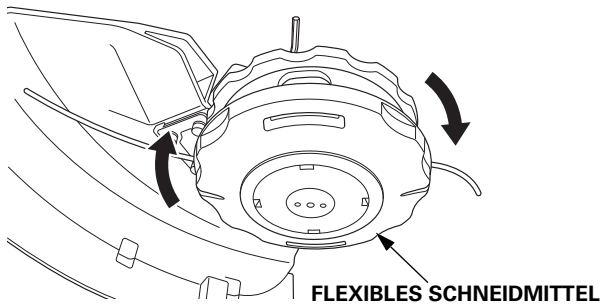
### Ersatz des flexiblen Schneidmittels

Entfernen:

1. Schalten Sie den Motor durch Schalten des Motorschalters in die Stellung AUS ab.
2. Führen Sie den 4 mm-Sechskantschlüssel in das Bohrloch des Arretierwerkzeugs ein. Drehen Sie das flexible Schneidmittel, bis Sie merken, dass der Sechskantschlüssel in das Loch der Distanzscheibe A fällt. Vergewissern Sie sich, dass sich das flexible Schneidmittel nicht dreht.

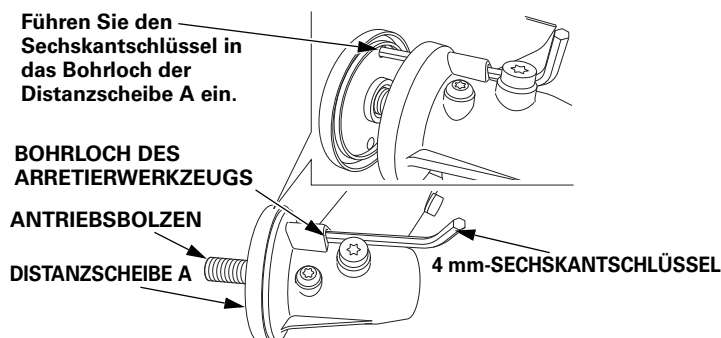


3. Drehen Sie das flexible Schneidmittel im Uhrzeigersinn, um es aus dem Getriebekopf zu entfernen.

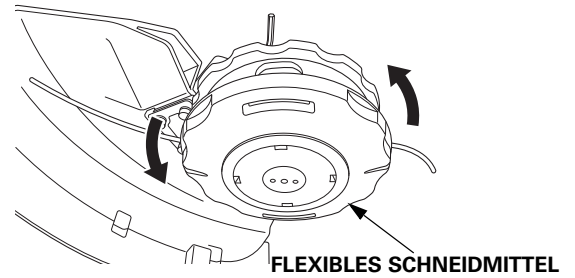


Installation:

1. Prüfen Sie, dass die Distanzscheibe A in dem Getriebekopf installiert ist.
2. Führen Sie den 4 mm-Sechskantschlüssel in das Bohrloch des Arretierwerkzeugs ein, um zu verhindern, dass sich der Antriebsbolzen dreht.



3. Drehen Sie das flexible Schneidmittel gegen den Uhrzeigersinn, um es in dem Getriebekopf zu installieren.



### Ersatz des Nylonfadens

### ▲ WARNUNG

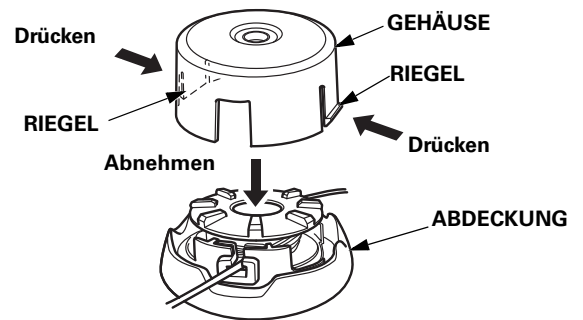
- Ersetzen Sie den Nylonfaden niemals mit einem Faden aus einem anderen Material, wie Stahldraht.

Typ UEET, LEET:

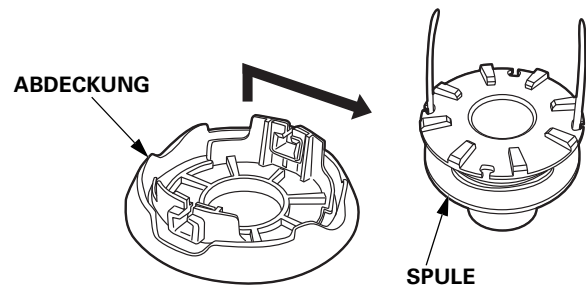
Empfohlene Daten des Nylonfadens:

Standarddurchmesser des Nylonfadens: 2,7 mm, maximale Länge: 6,0 m

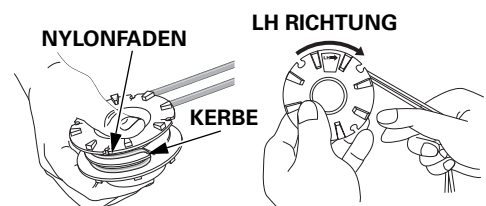
1. Ziehen Sie die Abdeckung von dem Gehäuse. Drücken Sie auf die beiden Riegel des Gehäuses und ziehen Sie die Abdeckung ab.



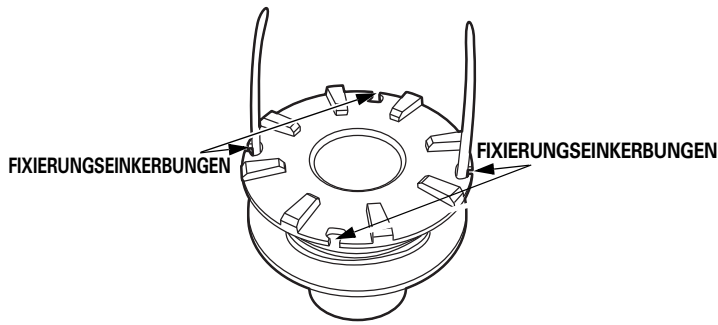
2. Ziehen Sie die Spule von der Abdeckung und entfernen Sie den Rest des Nylonfadens.



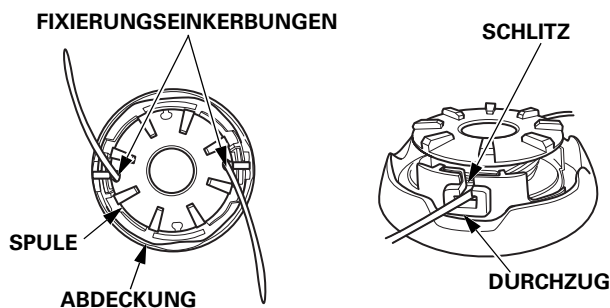
3. Bereiten Sie eine geeignete Länge Nylonfaden vor und legen Sie die Enden der Länge nach übereinander.
4. Platzieren Sie die Mitte des Nylonfadens in der Einkerbung in der Spule und rollen Sie den Nylonfaden durch Drehen in der angegebenen Richtung auf.



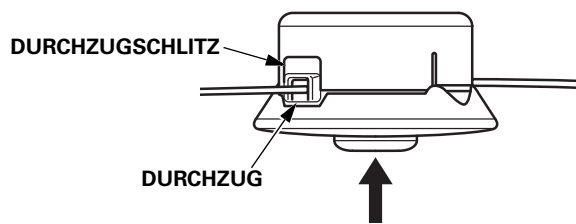
5. Führen Sie die Nylonschnüre an die Fixierungseinkerbungen auf einem der äußeren Flansche der Spule. Lassen Sie 10 cm der Fäden über die Einkerbungen überstehen. Achten Sie darauf, dass die Schnüre sich nicht lockern.



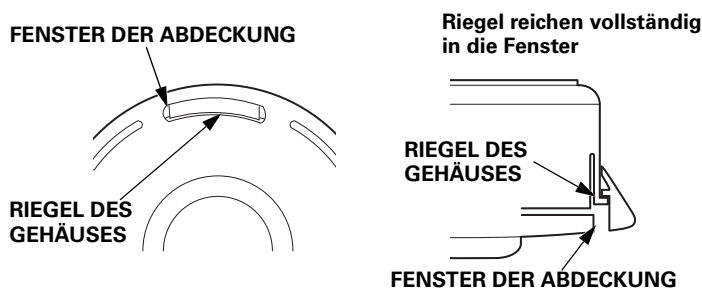
6. Setzen Sie die Spule so auf die Abdeckung, dass die Fixierungseinkerbungen mit den Durchzügen auf der Abdeckung ausgerichtet sind. Führen Sie die Nylonschnüre durch die Schlitz auf der oberen Seite der Durchzüge in die Durchzüge ein.



7. Richten Sie den Durchzug mit dem Durchzugschlitz des Gehäuses aus und installieren Sie die Abdeckung im Gehäuse.



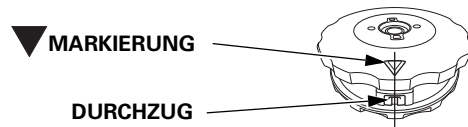
**HINWEIS:**  
Vergewissern Sie sich, dass die Riegel des Gehäuses vollständig in jedes Fenster der Abdeckung reichen.



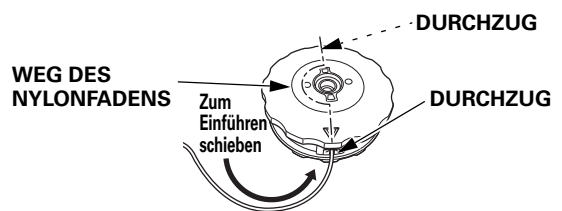
Typ XEET:

Empfohlene Daten des Nylonfadens:  
Standarddurchmesser des Nylonfadens: 3,0 mm, maximale Länge: 5,0 m

1. Richten Sie die Markierung ▼ mit dem Durchzug aus.

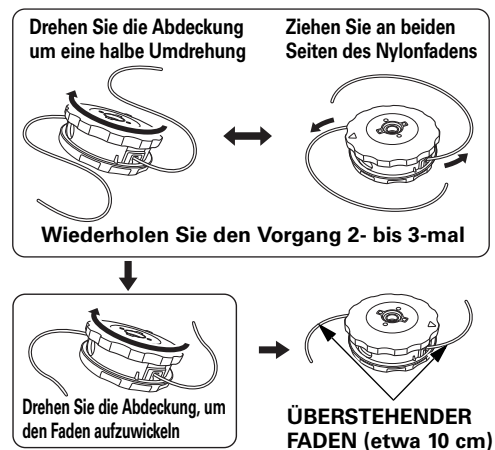


2. Bereiten Sie eine geeignete Länge des Nylonfadens vor. Führen Sie den Nylonfaden von der linken Seite wie in dem Bild gezeigt in den Durchzug ein. Das Einführen aus dieser Richtung ermöglicht ein reibungsloses Durchschieben des Fadens zu der anderen Seite des Bohrlochs.  
3. Schieben Sie den Nylonfaden so, dass die Spitze des Fadens aus der anderen Seite des Durchzugs herauskommt.



4. Ziehen Sie den Nylonfaden heraus und passen Sie die Länge so an, dass die Länge auf beiden Seiten dieselbe ist.  
5. Während Sie die Spule halten, drehen Sie die Abdeckung in der angegebenen Richtung um eine halbe Umdrehung, um den Nylonfaden aufzuwickeln.

Ziehen Sie beide Seiten des Nylonfadens, sodass der aufgewickelte Faden in der Spule gespannt wird, dann drehen Sie die Abdeckung um eine halbe Umdrehung, und spannen Sie den Nylonfaden erneut. Wiederholen Sie diesen Vorgang 2- bis 3-mal. Dann drehen Sie die Abdeckung, bis jede der überstehenden Schnüre etwa 10 cm lang ist.



## Ersatz des Stahlschneidmittels

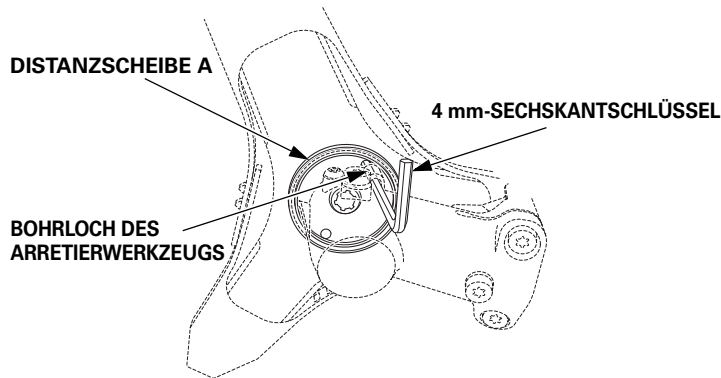
### VORSICHT:

- Tragen Sie Arbeitshandschuhe, um Ihre Hände zu schützen, wenn Sie Arbeiten um das Schneidwerkzeug herum vornehmen.
- Um Körperverletzungen zu vermeiden, installieren Sie die Abdeckung des Schneidmittels, bevor Sie Wartungsarbeiten im Bereich des Stahlschneidmittels vornehmen.

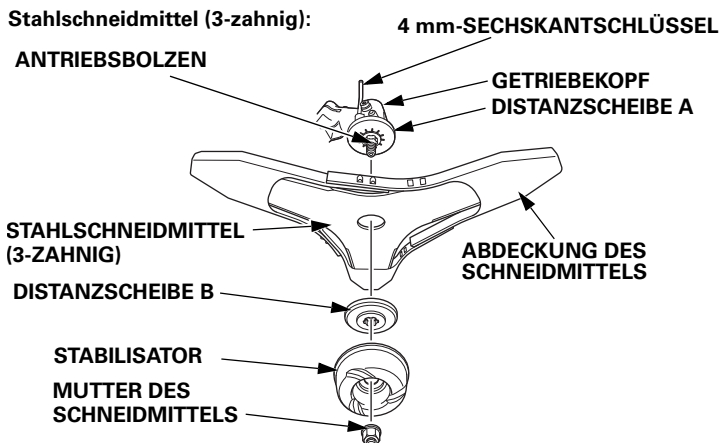
Um die Abdeckung des Schneidmittels zu installieren, siehe Seite 14.

### Entfernen:

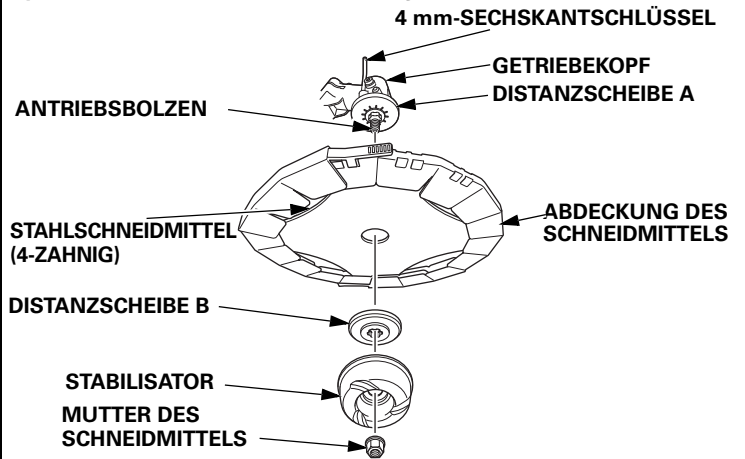
1. Schalten Sie den Motor durch Schalten des Motorschalters in die Stellung AUS ab.
2. Führen Sie den 4 mm-Sechskantschlüssel in das Bohrloch des Arretierwerkzeugs ein. Drehen Sie das Stahlschneidmittel, bis Sie merken, dass der Sechskantschlüssel in das Loch der Distanzscheibe A eintritt. Vergewissern Sie sich, dass sich das Stahlschneidmittel nicht dreht.



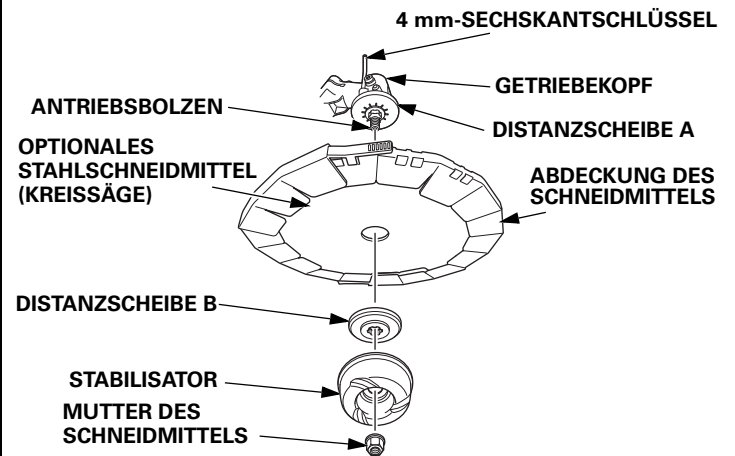
3. Lösen Sie die Mutter des Schneidmittels. Der Antriebsbolzen und die Mutter des Schneidmittels weisen Linksgewinde auf. Drehen Sie zum Lösen im Uhrzeigersinn. Achten Sie beim Entfernen auf die Reihenfolge und Ausrichtung der einzelnen Teile.



### Optionales Stahlschneidmittel (4-zahnig):



### Optionales Stahlschneidmittel (Kreissäge):



### Installation:

Um das Stahlschneidmittel zu installieren, siehe Seite 10.



## WECHSEL DES MOTORÖLS

### HINWEIS:

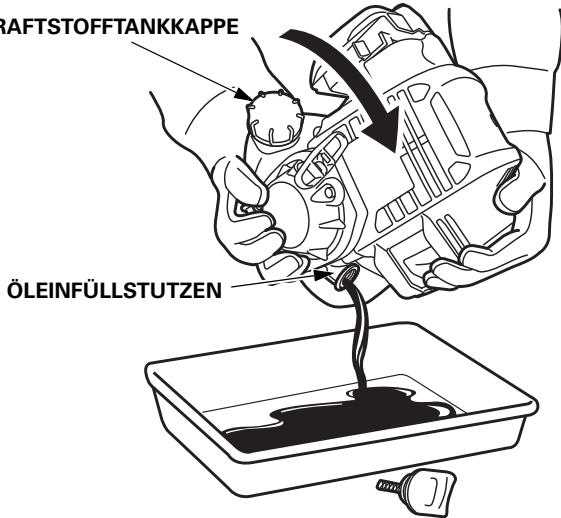
- Der Betrieb des Motors mit niedrigem Ölstand kann schwere Motorschäden verursachen.
- Die Verwendung von detergensfreiem Öl oder Zweitakt-Motoröl kann die Lebensdauer des Motors verringern.

### HINWEIS:

Lassen Sie das Öl ab, während der Motor noch warm ist, um ein schnelles und vollständiges Entleeren zu ermöglichen.

1. Kontrollieren Sie, ob der Deckel der Kraftstoffeinfüllöffnung fest zugebaut ist.
2. Den Öleinfüllverschluss entnehmen und das Öl in den Auffangbehälter ablaufen lassen, indem Sie den Motor in Richtung des Öleinfüllstutzens neigen.

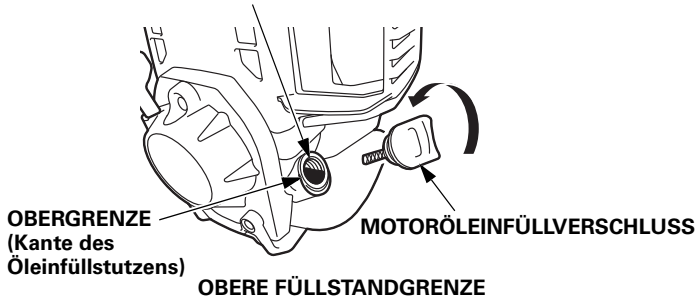
### KRAFTSTOFFTANKKAPPE



3. Füllen Sie das empfohlene Öl bis zur Obergrenze auf (Kante des Öleinfüllstutzens).
4. Setzen Sie den Öleinfüllverschlussdeckel auf.

MOTORÖL-KAPAZITÄT: 130 cm<sup>3</sup> (0,13 L)

### ÖLEINFÜLLSTUTZEN



Waschen Sie nach dem Umgang mit Öl Ihre Hände mit Wasser und Seife.

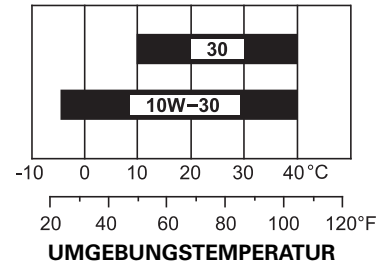
### HINWEIS:

Altes Motoröl ist umweltverträglich zu entsorgen. Wir empfehlen, dieses in einem verschlossenen Behälter einem Recycling-Center oder einem Wartungshändler zur Rückgewinnung zu übergeben. Werfen Sie es niemals in den Müll und schütten Sie es niemals auf den Boden.

## Empfohlenes Motoröl

Verwenden Sie ein Motoröl für Viertaktmotoren, das die Anforderungen der API-Service-Klassifikation SE oder höher (bzw. gleichwertig) erfüllt oder überschreitet. Prüfen Sie stets das API-Service-Etikett am Ölbehälter, um sicherzugehen, dass es die Buchstaben SE oder die einer höheren (bzw. gleichwertigen) Klasse enthält. SAE 10W-30 wird für allgemeinen Gebrauch empfohlen. Andere in der Tabelle angegebene Viskositäten können verwendet werden, wenn die durchschnittliche Temperatur in Ihrem Gebiet innerhalb des angezeigten Bereichs liegt.

Spezifikationen des Schmieröls, um die Leistungsfähigkeit des Emissionsminderungssystems beibehalten zu können: Original-Öl von Honda.



## REINIGUNG DES LUFTFILTERS

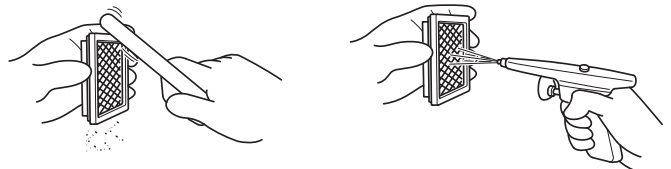
Ein verschmutzter Luftfilter behindert den Luftstrom zum Vergaser. Um eine Fehlfunktion des Vergasers zu verhindern, sollten Sie den Luftfilter regelmäßig warten. Warten Sie ihn in kürzeren Intervallen, wenn Sie mit dem Freischneider in extrem staubigen Bereichen arbeiten.

### ⚠ WARNUNG

**Verwenden Sie für die Reinigung des Luftfiltereinsatzes niemals Benzin oder Lösungsmittel mit einem niedrigen Flammpunkt. Dies kann zu einem Brand oder einer Explosion führen.**

Entfernen Sie den Luftfiltereinsatz, um ihn zu reinigen. Um den Luftfiltereinsatz zu entfernen, siehe Seite 15.

Klopfen Sie den Papierluftfiltereinsatz einige Male auf einer harten Oberfläche aus, um Schmutz zu beseitigen, oder blasen Sie Druckluft [nicht über 200 kPa (2,0 kgf/cm<sup>2</sup>)] von der Luftfiltergehäuseseite durch den Filtereinsatz. Niemals versuchen, Schmutz abzubürsten, da er dadurch in die Fasern gedrückt wird. Entfernen Sie den Luftfiltereinsatz, wenn er extrem verunreinigt ist.



Nach der Reinigung des Luftfiltereinsatzes installieren Sie diesen fest im Gehäuse des Luftfilters.

Um den Luftfiltereinsatz zu installieren, siehe Seite 15.

### HINWEIS:

Lassen Sie den Motor niemals ohne den Luftfilter laufen, da dies zu einem sehr schnellen Verschleiß des Motors führt.

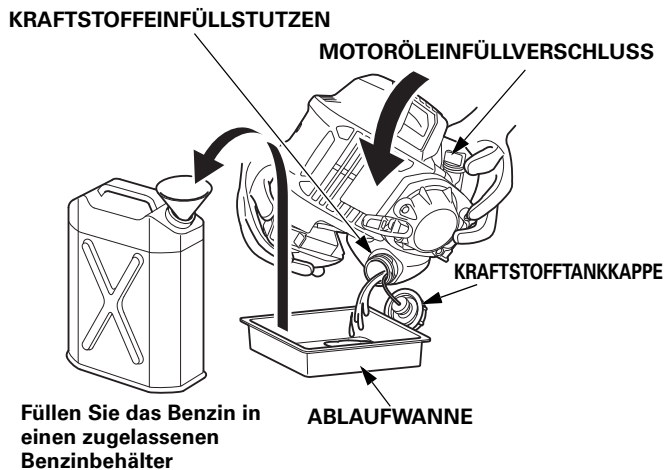
## REINIGUNG DES KRAFTSTOFFFILTERS UND DES KRAFTSTOFFTANKS

### ⚠ WARNUNG

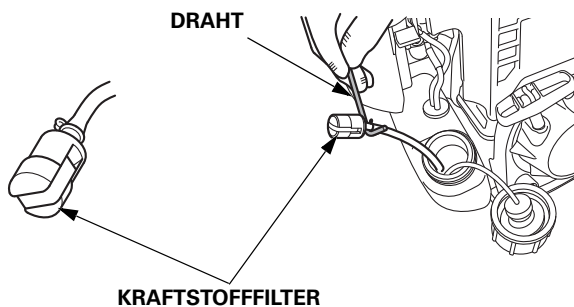
- Benzin ist hochentzündlich und unter bestimmten Bedingungen explosiv.
- Wartungsarbeiten nur in gut belüfteter Umgebung bei abgestelltem Motor durchführen. Rauchen Sie nicht und lassen Sie nicht zu, dass Flammen oder Funken in den Bereich gelangen, in dem Benzin nachgefüllt oder gelagert wird.
- Achten Sie darauf, keinen Kraftstoff beim Nachfüllen zu verschütten. Verschütteter Kraftstoff oder Kraftstoffdämpfe können sich entzünden. Wenn Kraftstoff verschüttet wird, achten Sie darauf, dass der Bereich trocken ist, bevor Sie den Motor starten.
- Vermeiden Sie einen wiederholten oder verlängerten Hautkontakt oder das Einatmen von Dämpfen.
- AUSSERHALB DER REICHWEITE VON KINDERN AUFBEWAHREN.

Beachten Sie, dass ein verstopfter Kraftstofffilter eine schlechte Motorleistung verursachen kann. Wasser und Staub, Schmutz oder kontaminiertes Material im Kraftstofftank kann eine schlechte Motorleistung verursachen.

1. Kontrollieren Sie, ob der Deckel der Motoröleinfüllöffnung fest zuge dreht ist.
2. Entnehmen Sie den Kraftstofftankdeckel und lassen Sie den Kraftstoff in einen zugelassenen Benzinbehälter ablaufen, indem Sie den Motor in Richtung zum Kraftstoffeinfüllstutzen neigen.



3. Ziehen Sie den Kraftstofffilter mit einem Draht (beispielsweise mit einer gerade gebogenen Büroklammer) vorsichtig aus dem Kraftstoffeinfüllstutzen.

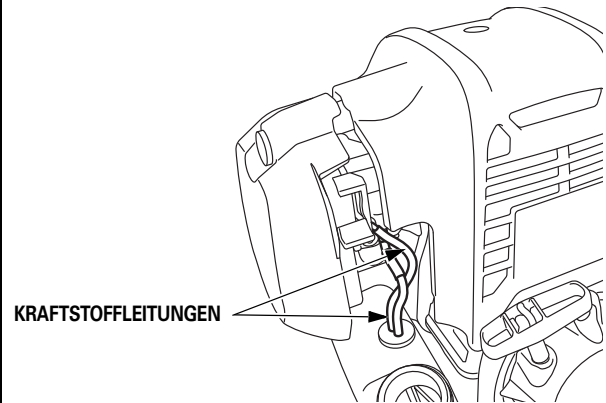


4. Kontrollieren Sie den Kraftstofffilter auf Verunreinigungen. Sollte der Kraftstofffilter verunreinigt sein, waschen Sie ihn vorsichtig mit einem Lösungsmittel, das nicht entzündlich ist oder einen hohen Flammpunkt aufweist. Wenn der Kraftstofffilter extrem verunreinigt ist, muss er ersetzt werden.

5. Wasser und Verschmutzungen aus dem Kraftstofftank entfernen, indem Sie die Innenseite des Kraftstofftanks mit einem nicht entzündlichen Lösungsmittel oder mit einem Lösungsmittel mit hohem Flammpunkt ausspülen.
6. Setzen Sie den Kraftstofffilter wieder in den Kraftstofftank ein und verschließen Sie sicher die Kraftstoffeinfüllöffnung.

## KONTROLLIEREN DER KRAFTSTOFFLEITUNGEN

Kontrollieren Sie, ob die Kraftstoffleitungen Risse oder andere Beschädigungen aufweisen und vergewissern Sie sich, dass kein Kraftstoff aus den Kraftstoffleitungen austritt. Wenn Sie etwas Unnormales an den Kraftstoffleitungen bemerken, setzen Sie sich mit Ihrem Wartungshändler in Verbindung.



## SCHMIEREN DES GETRIEBEKOPFS

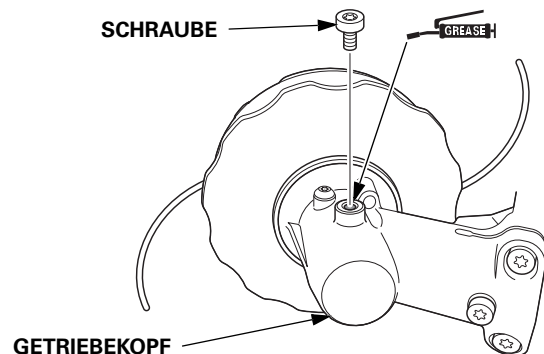
### ⚠ WARNUNG

- Um schwere Körperverletzungen zu vermeiden, stellen Sie sicher, dass der Motorschalter in der Stellung AUS steht, um ein unbeabsichtigtes Starten zu verhindern.

### VORSICHT:

- Tragen Sie Arbeitshandschuhe, um Ihre Hände zu schützen, wenn Sie Arbeiten um das Schneidwerkzeug herum vornehmen.

1. Entfernen Sie die Schraube am Getriebekopf.
2. Tragen Sie Schmiermittel auf, bis das Schmiermittel aus dem Getriebekopf überläuft, während Sie langsam das Schneidwerkzeug drehen.  
Maximale Menge an Schmiermittel:  
Typ UEET, LEET: 14,5 g  
Typ XEET: 19,0 g
3. Setzen Sie die Schraube korrekt ein. Ziehen Sie die Schraube fest an. Anzugsdrehmoment für die Schrauben: 6,9 N·m (0,7 kgf·m)  
Empfohlenes Schmiermittel: Lithium-Komplex Moly, NLGI-Grad 2 = Penetration etwa 290 (gleichwertig zu Molynoc Nr.2 JXTG Nippon Oil & Energy Corporation)



## TRANSPORT

### VORSICHT:

- Um Körperverletzungen zu vermeiden, installieren Sie die Abdeckung für das Stahlschneidmittel, bevor Sie den Freischneider transportieren.

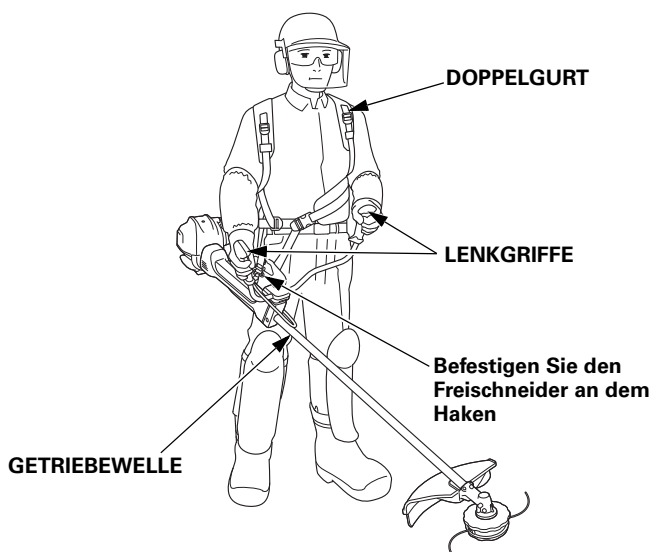
Um die Abdeckung des Schneidmittels zu installieren, siehe Seite 14.

Schalten Sie den Motorschalter stets auf die Stellung AUS. Vergewissern Sie sich, dass der Kraftstoffdeckel fest geschlossen und der Motor abgekühlt ist.

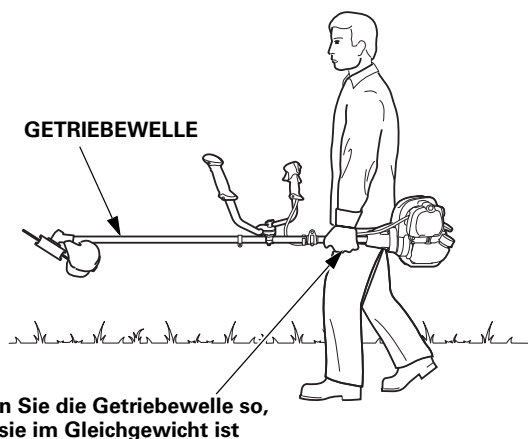
### MANUELLES TRAGEN DES FREISCHNEIDERS

Befestigen Sie den Freischneider an dem Haken des Doppelgurts und halten Sie die Lenkgriffe fest, oder halten Sie ihn an der Getriebewelle, um ihn mit einem guten Gleichgewicht tragen zu können.

#### Tragen durch Festhalten der Lenkgriffe:



#### Tragen durch Festhalten der Getriebewelle:



### TRANSPORTIEREN DES FREISCHNEIDERS MIT EINEM FAHRZEUG

Sichern Sie den Freischneider auf einer ebenen Fläche und stellen Sie sicher, dass er sich nicht bewegen oder herunterfallen kann.

Klappen Sie bei den Typen UEET und XEET gegebenenfalls die Griffstange ein (siehe Seite 13).

## LAGERUNG

Eine sachgemäße Vorbereitung der Lagerung ist ausschlaggebend, um einen störungsfreien Betrieb und gutes Aussehen des Freischneiders aufrechtzuerhalten. Die folgenden Schritte helfen Ihnen dabei, Ihren Freischneider vor Rost und Korrosion zu schützen, die die Maschine beschädigen können.

### VORSICHT:

- Wenn der Freischneider in Betrieb war, ist der Motor sehr heiß; lassen Sie ihn abkühlen, bevor Sie fortfahren.
- Legen Sie den Freischneider auf einer ebenen Fläche ab und vergewissern Sie sich, dass der Motorschalter in der Stellung AUS ist, um sicherzustellen, dass der Motor nicht unbeabsichtigt gestartet werden kann.

### REINIGEN DES FREISCHNEIDERS

Alle Außenflächen reinigen, Lackschäden ausbessern und rostanfällige Teile mit einem dünnen Ölfilm überziehen.

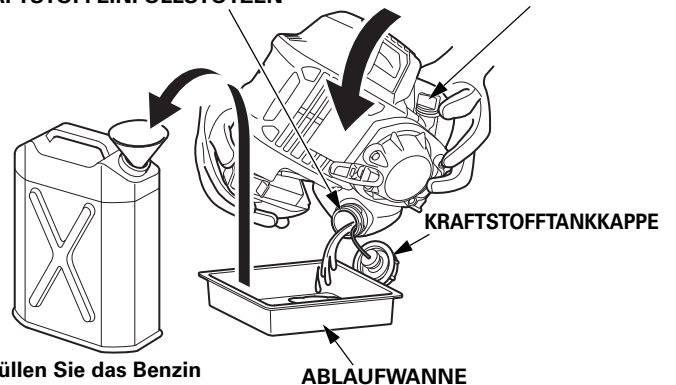
### ABLASSEN DES KRAFTSTOFFS

#### ▲ WARNUNG

- Benzin ist hochentzündlich und unter bestimmten Bedingungen explosiv.
- Wartungsarbeiten nur in gut belüfteter Umgebung bei abgestelltem Motor durchführen. Rauchen Sie nicht und lassen Sie nicht zu, dass Flammen oder Funken in den Bereich gelangen, in dem Benzin nachgefüllt oder gelagert wird.
- Achten Sie darauf, keinen Kraftstoff beim Nachfüllen zu verschütten. Verschütteter Kraftstoff oder Kraftstoffdämpfe können sich entzünden. Wenn Kraftstoff verschüttet wird, achten Sie darauf, dass der Bereich trocken ist, bevor Sie den Motor starten.
- Vermeiden Sie einen wiederholten oder verlängerten Hautkontakt oder das Einatmen von Dämpfen.
- AUSSERHALB DER REICHWEITE VON KINDERN AUFBEWAHREN.

1. Kontrollieren Sie, ob der Deckel der Motoröleinfüllöffnung fest zuge dreht ist.
2. Entfernen Sie den Deckel des Kraftstofftanks und lassen Sie den Kraftstoff in einen zugelassenen Benzinbehälter ablaufen, indem Sie den Motor in Richtung des Kraftstoffeinfüllstutzens neigen.

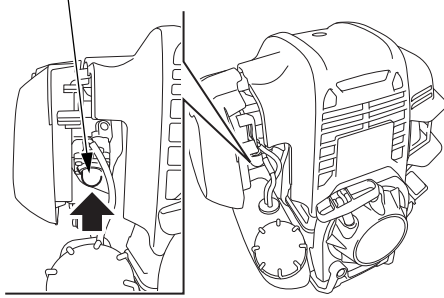
#### KRAFTSTOFFEINFÜLLSTUTZEN MOTORÖLEINFÜLLVERSCHLUSS



Füllen Sie das Benzin in einen zugelassenen Benzinbehälter.

- Drücken Sie mehrmals die Ansaugpumpe, bis der gesamte Kraftstoff zum Kraftstofftank zurückgekehrt ist.

#### ANSAUGPUMPE



- Neigen Sie den Motor wieder in Richtung des Kraftstoffzufüllstutzens, um den Kraftstoff in den Behälter zu entleeren, der noch in dem Kraftstofftank enthalten ist.
- Verschließen Sie den Deckel des Kraftstofftanks fest, nachdem Sie den Kraftstoff vollständig entleert haben.
- Starten Sie den Motor und warten Sie, bis er wegen Kraftstoffmangel stoppt.

#### HINWEIS:

- Veraltetes Benzin kann Ihren Motor auf unerwartete Weise beschädigen.
- Benzin sollte in einem sauberen Behälter gelagert werden, der ausschließlich für Benzin bestimmt ist.
- Benzin sollte an einem kühlen, belüfteten Ort gelagert werden.
- Lagern oder transportieren Sie Benzin nicht in PET- (Polyethylenterephthalat-) Flaschen.

#### MOTORÖL WECHSELN

Um Motoröl zu wechseln, siehe Seite 31.

#### VORSICHT:

Wenn der Motor gerade gelaufen ist, ist er sehr heiß. Lassen Sie ihn abkühlen, bevor Sie fortfahren.

#### REINIGEN DES LUFTFILTERS

Um den Luftfilter zu reinigen, siehe Seite 31.

#### STARTGRIFF LANGSAM ZIEHEN

Den Startgriff langsam ziehen, bis Widerstand zu spüren ist. Wird sie auf diese Weise gelagert, wird eine Korrosion im Inneren der Maschine verhindert.

#### STAHLSCHEIDMITTEL MIT ÖL BENETZEN

Ein leichter Ölfilm auf dem Stahlschneidmittel beugt Rost vor.

#### LAGERUNG

Schließen Sie den Choke (stellen Sie den Choke nach oben) und bringen Sie die Abdeckung des Stahlschneidmittels an. Klappen Sie bei den Typen UEET und XEET gegebenenfalls die Griffstange ein (siehe Seite 13). Decken Sie den Freischneider ab, um Staub von ihm fernzuhalten. Wenn Sie ihn in einer vertikalen Position lagern, sollte die Motorseite nach unten zeigen, um zu verhindern, dass er während der Lagerung herunterfällt.

Bevor Sie den Freischneider wieder verwenden, führen Sie die Kontrollen vor Inbetriebnahme ordnungsgemäß durch.

## FEHLERBEHEBUNG

### MOTOR SPRINGT NICHT AN

- |   |          |
|---|----------|
| 1. Kein Kraftstoff.   | Seite 15 |
| 2. Der Motorschalter steht auf AUS.   | Seite 23 |
| 3. Zündkerzenstecker ist nicht richtig eingesteckt oder wurde getrennt.                       | -        |
| 4. Kaputte Zündkerze oder Elektrodenabstand falsch.   | -        |
| 5. Motor wurde überflutet. Zündkerze entfernen, mit einem Tuch trocknen und wieder einsetzen. | -        |
| 6. Kraftstofffilter ist verunreinigt. Reinigen Sie ihn.                                       | Seite 32 |

### STARTPROBLEME ODER LEISTUNGSVERLUST

- |  |          |
|--|----------|
| 1. Verunreinigter Luftfilter.  | Seite 31 |
| 2. Verunreinigungen im Kraftstofftank.   | Seite 32 |
| 3. Wasser im Kraftstofftank und Kraftstoff.  | Seite 32 |
| 4. Verschlusskappe des Kraftstofftanks mit Entlüftungsleitung und/oder Vergaser verstopft. | -        |
| 5. Motor ist heiß; Choke ist geschlossen. Choke öffnen.                                    | Seite 23 |

### UNGLEICHMÄSSIGER BETRIEB

- |   |          |
|---|----------|
| 1. Kaputte Zündkerze oder Elektrodenabstand falsch. | -        |
| 2. Verunreinigter Luftfilter.                       | Seite 31 |

### MOTOR ÜBERHITZT

- |   |          |
|---|----------|
| 1. Falscher Elektrodenabstand der Zündkerzen.                 | -        |
| 2. Verunreinigter Luftfilter.                                 | Seite 31 |
| 3. Motorkühllamellen verstopft.                               | -        |
| 4. Ölstand zu niedrig.  | Seite 14 |
| 5. Anlasser-Riemenscheibe durch Grasschnitt etc. verschmutzt. | -        |

### FREISCHNEIDER VIBRIERT ÜBERMÄSSIG

- |   |   |
|---|---|
| 1. Stahlschneidmittel ist nicht im Gleichgewicht oder das Schneidwerkzeug wurde nicht korrekt eingesetzt. | - |
| 2. Motorschrauben sind lose.  | - |

### LENKGRIFF VIBRIERT ÜBERMÄSSIG (TYP XEET)

- |  |   |
|--|---|
| 1. Der entkoppelte Kasten sitzt aufgrund verrutschter Gummiträger nicht richtig.                 | - |
| 2. Der entkoppelte Kasten sitzt aufgrund einer Beschädigung der Gummihalfterungen nicht richtig. | - |



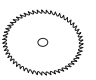



Für mögliche Gründe, die nicht in dieser Anleitung angesprochen werden, wenden Sie sich bitte an Ihren Wartungshändler.







# ZUBEHÖR

## STROMFÜHRENDE TEILE, VERBRAUCHSARTIKEL

Verschiedene Zubehörteile werden je nach Modell mit der Maschine geliefert oder sind als Optionen erhältlich. Wenn Sie dieses Zubehör oder diese Teile benötigen, wenden Sie sich bitte an Ihren Wartungshändler.

	UEET	LEET	XEET
Mähen und Säubern			
	Position	Flexibles Schneidmittel	
	Artikelnummer	72560-VL6-P31	72560-VR4-E21
Hecken und Büsche mit Dornen			
	Position	Standard-Stahlschneidmittel (3-zahnig)	
	Artikelnummer	72511-VL6-P31	72511-VR4-E21
Große Grasflächen			
	Position	Optionales Stahlschneidmittel (4-zahnig)	
	Artikelnummer	72511-VF9-E32 (Ø230 mm) 72512-VL6-P31 (Ø255 mm)	
Knorriges Gestrüpp und Büsche (optional für Modell Typ UEET und XEET)			
	Position	Optionales Stahlschneidmittel (Kreissäge)	
	Artikelnummer	72511-VL6-H31	72511-VR4-E21
Standard-Schutzabdeckung für flexibles Schneidmittel und Stahlschneidmittel (3-zahnig, 4-zahnig)			
	Position	Standard-Schutzabdeckung des Schneidwerkzeugs	
	Artikelnummer	76240-VR4-E01	
Optionale Schutzabdeckung des Schneidwerkzeugs für Stahlschneidmittel (Kreissäge)			
	Position	Optionale Schutzabdeckung des Schneidwerkzeugs	
	Artikelnummer	76247-VL6-J31	76247-VR4-E21
Abdeckung des Schneidmittels für Stahlschneidmittel (3-zahnig) der Typen UEET und LEET und alle optionalen Stahlschneidmittel			
	Position	Abdeckung des Schneidmittels	
	Artikelnummer	72534-VJ3-681	
Abdeckung des Schneidmittels für Stahlschneidmittel (3-zahnig) des Typs XEET			
	Position	Abdeckung des Schneidmittels	
	Artikelnummer	72534-VR4-E21	

Stromführende Teile		
	Position	Luftfilter
	Artikelnummer	17211-Z3F-000
	Position	Zündkerze
	Artikelnummer	31915-Z0H-003
	Position	Seilzug-Starterseil
	Artikelnummer	28462-ZM3-003
Verbrauchsartikel		
	Position	Motoröl
	Artikelnummer	08221-888-010MP

Abbildungen in dieser Tabelle sind beispielhafte Darstellungen. Das Aussehen kann sich von dem tatsächlich gelieferten Produkt unterscheiden.

### ▲ WARNUNG

Zu Ihrer Sicherheit ist es strengstens untersagt, andere Schneidwerkzeuge als die oben aufgeführten und speziell für das Modell und den Typ Ihres Freischneiders entworfenen zu installieren.

## ENTSORGUNG

Um die Umwelt zu schützen, entsorgen Sie dieses Produkt, die Batterie, Motoröl etc. nicht über den normalen Hausmüll. Beachten Sie die lokal geltenden Gesetze und Vorschriften oder erkundigen Sie sich bei Ihrem zugelassenen Honda-Händler nach Entsorgungsmöglichkeiten.

## TECHNISCHE INFORMATIONEN

### MODIFIKATIONEN DES VERGASERS FÜR DEN BETRIEB IN GROSSEN HÖHEN

In großen Höhen ist das Luft-Kraftstoff-Gemisch des Standardvergasers zu fett. Die Leistung nimmt ab und der Kraftstoffverbrauch zu. Ein sehr fettes Gemisch verschmutzt auch die Zündkerzen und verursacht Startprobleme. Der Betrieb in einer Höhe, die sich von der Höhe unterscheidet, für die der Motor zertifiziert ist, über einen längeren Zeitraum kann zur Zunahme von Emissionen führen. Die Leistung in großen Höhen kann durch spezifische Modifikationen am Vergaser verbessert werden. Wenn Sie den Motor stets auf einer Höhe über 1.500 Meter betreiben, sollte diese Vergasermodifikation durch Ihren Wartungshändler durchgeführt werden. Mit einem Motor, der eine Vergasermodifikation für den Betrieb in großen Höhen besitzt, werden alle Emissionsstandards über die gesamte Dauer der Nutzung erfüllt. Auch mit einer Vergasermodifikation nimmt die PS-Leistung des Motors pro 300 Meter Höhe um circa 3,5 % ab. Die Wirkung der Höhe auf die PS-Leistung ist noch größer, wenn keine Vergasermodifikation vorgenommen wurde.

### VORSICHT:

Falls der Vergaser für den Betrieb in großen Höhen modifiziert wurde, ist das Luft-Kraftstoff-Gemisch zu mager für den Betrieb in kleinen Höhen. Der Betrieb in einer Höhe unterhalb von 1.500 Metern mit modifiziertem Vergaser kann zu einer Überhitzung des Motors und damit zu ernsthaften Motorschäden führen. Für den Betrieb in kleinen Höhen müssen Sie den Vergaser von Ihrem Wartungshändler auf die ursprünglichen Werksspezifikationen zurückführen lassen.

## SPEZIFIKATIONEN

MODELL		UMK450E		
TYP		UEET	LEET	XEET
Beschreibungsschlüssel		HAMF	HANF	HAMF
Funktion		Schneiden von Gestrüpp		
<b>RAHMEN</b>				
Typ des Griffs		Handgriff	Einhandbügel	Handgriff
Typ der Kupplung		Fliehkraftkupplung		
Schneidwerkzeug (flexibles Schneidmittel)	Typ	Schneidkopf mit Nylonfaden, Tap & Go		
	Durchmesser des Körpers	444 mm		
Schneidwerkzeug (Stahlschneidmittel)	Typ	3-Zahn-Klinge		
	Gesamtdurchmesser	255 mm		303 mm
Abmessungen Länge x Breite x Höhe	Flexibles Schneidmittel	1870 x 670 x 520 mm	1870 x 385 x 280 mm	1880 x 670 x 585 mm
	Stahlschneidmittel (3-zahnig)	1905 x 670 x 510 mm	1905 x 385 x 280 mm	1925 x 670 x 570 mm
Trockenmasse (ohne Schneidwerkzeug, Öl und Kraftstoff)		8,1 kg	7,7 kg	9,4 kg
Anzahl der Umdrehungen des Schneidwerkzeugs (Maximale Rotation der vollständigen Maschine, nicht unter Belastung)	Flexibles Schneidmittel	7.100 min <sup>-1</sup> (U/Min.)	7.100 min <sup>-1</sup> (U/Min.)	7.400 min <sup>-1</sup> (U/Min.)
	Stahlschneidmittel (3-zahnig)	8.150 min <sup>-1</sup> (U/Min.)	8.150 min <sup>-1</sup> (U/Min.)	7.900 min <sup>-1</sup> (U/Min.)
<b>MOTOR</b>				
Modell		GX50T		
Beschreibungsschlüssel		GCCFT		
Typ		Viertakt, obenliegende Nockenwelle, Einzylinder, fremdbelüftet		
Hubraum		47,9 cm <sup>3</sup>		
Bohrung / Hub		43,0 x 33,0 mm		
Nettoleistung* (SAE J1349)		1,4 kW (2,0 PS)/7.000 min <sup>-1</sup> (U/Min.)		
Maximales Nutzdrehmoment des Motors* (SAE J1349)		2,2 N·m (0,22 kgf·m)/5.000 min <sup>-1</sup> (U/Min.)		
Maximale Geschwindigkeit ohne Belastung		MIN. 10.000 min <sup>-1</sup> (U/Min.)		
Leerlaufdrehzahl		3100±200 min <sup>-1</sup> (U/Min.)		
Motoröl		Viertakt-Motoröl, API-Serviceklassifizierung SE oder höher (bzw. gleichwertig), SAE 10W-30		
Ölkapazität		130 cm <sup>3</sup> (0,13 L)		
Kraftstoff		Bleifreies Benzin E10		
Fassungsvermögen des Kraftstofftanks		630 cm <sup>3</sup> (0,63 L)		
Zündung		Transistor-Magnetzündung		
Marke und Typ der Zündkerze		NGK CMR5H		
Vergaser		Membran		
Kohlenstoffdioxid - (CO <sub>2</sub> -) Ausstoß**		Dies finden Sie in der "CO <sub>2</sub> Information List" auf <a href="http://www.honda-engines-eu.com/co2">www.honda-engines-eu.com/co2</a>		

\* Die Nennleistung des in diesem Dokument angegebenen Motors ist die Nettoleistung, die an einem Produktionsmotor für das Motormodell GX50T getestet und gemäß SAE J1349 bei 7.000 min<sup>-1</sup> (U/Min.) (Nettoleistung) SAE J1349 und 5.000 min<sup>-1</sup> (U/Min.) (max. Nutzdrehmoment) gemessen wurde.

Massenproduktionsmotoren können von diesem Wert abweichen. Die tatsächliche Leistungsabgabe des im Endprodukt verbauten Motors ist von zahlreichen Faktoren wie Betriebsdrehzahl des Motors in der Anwendung, Umweltbedingungen, Wartung und anderen Variablen abhängig.

\*\* Die CO<sub>2</sub>-Messung ist das Ergebnis aus Tests über einen festgelegten Testzyklus unter Testbedingungen an einem (Stamm-) Motor, der für einen Motortypen (eine Motorfamilie) repräsentativ ist und soll nicht implizit oder ausdrücklich eine Gewährleistung der Leistung eines bestimmten Motors darstellen.



LÄRMPEGEL						
Position  Typen		Äquivalenter Schalldruckpegel am Bedienpult (2006/42/EC, ISO 22868: 2011) (dB(A))	Gemessener Schalleistungspegel (2000/14/ EC) (dB(A))		Garantierter Schalleistungspegel (2000/14/EC) (dB(A))	
			Messunsicherheit (dB(A))	Messunsicherheit (dB(A))		
UEET	Flexibles Schneidmittel	96,0	2,3	108,4	2,3	112
	Stahlschneidmittel (3-zahnig)	94,1	1,6	103,0	1,6	112
	Stahlschneidmittel (4-zahnig, Ø255 mm) (Option)	94,2	2,3	103,1	2,3	112
	Stahlschneidmittel (4-zahnig, Ø230 mm) (Option)	94,3	1,9	103,1	1,9	112
	Stahlschneidmittel (Kreissäge) (Option)	94,7	6,4	106,1	6,4	112
LEET	Flexibles Schneidmittel	94,9	1,3	108,8	1,3	112
	Stahlschneidmittel (3-zahnig)	92,7	1,4	103,1	1,4	112
	Stahlschneidmittel (4-zahnig, Ø255 mm) (Option)	93,2	1,3	103,1	1,3	112
	Stahlschneidmittel (4-zahnig, Ø230 mm) (Option)	93,1	1,5	103,0	1,5	112
XEET	Flexibles Schneidmittel	97,0	1,8	109,2	1,8	112
	Stahlschneidmittel (3-zahnig)	95,4	1,4	103,4	1,4	112
	Stahlschneidmittel (4-zahnig, Ø255 mm) (Option)	94,5	1,2	102,8	1,2	112
	Stahlschneidmittel (4-zahnig, Ø230 mm) (Option)	95,1	1,6	102,6	1,6	112
	Stahlschneidmittel (Kreissäge) (Option)	94,7	4,1	105,7	4,1	112

Vibration				
Arten und Messpositionen			Äquivalentes Vibrationsniveau (2006/42/EC, ISO 22867: 2011) (m/s <sup>2</sup> )	
			Messunsicherheit (m/s <sup>2</sup> )	
UEET	Flexibles Schneidmittel	Linke Seite	3,58	0,50
		Rechte Seite	3,80	0,50
	Stahlschneidmittel (3-zahnig)	Linke Seite	4,06	1,00
		Rechte Seite	3,39	0,90
	Stahlschneidmittel (4-zahnig, Ø255 mm) (Option)	Linke Seite	5,49	1,40
		Rechte Seite	3,96	1,00
	Stahlschneidmittel (4-zahnig, Ø230 mm) (Option)	Linke Seite	3,65	1,20
		Rechte Seite	2,54	0,60
Stahlschneidmittel (Kreissäge) (Option)	Linke Seite	6,80	1,60	
	Rechte Seite	4,52	1,00	
LEET	Flexibles Schneidmittel	Hinterseite	5,90	0,90
		Vorderseite	4,77	1,40
	Stahlschneidmittel (3-zahnig)	Hinterseite	5,58	0,50
		Vorderseite	4,89	2,10
	Stahlschneidmittel (4-zahnig, Ø255 mm) (Option)	Vorderseite	5,66	0,80
		Hinterseite	5,91	0,40
Stahlschneidmittel (4-zahnig, Ø230 mm) (Option)	Vorderseite	4,18	1,30	
	Hinterseite	5,81	0,80	
XEET	Flexibles Schneidmittel	Linke Seite	2,30	0,60
		Rechte Seite	1,80	0,20
	Stahlschneidmittel (3-zahnig)	Linke Seite	2,45	0,48
		Rechte Seite	1,85	0,27
	Stahlschneidmittel (4-zahnig, Ø255 mm) (Option)	Linke Seite	2,25	0,41
		Rechte Seite	1,87	0,35
	Stahlschneidmittel (4-zahnig, Ø230 mm) (Option)	Linke Seite	2,30	0,64
		Rechte Seite	1,93	0,44
Stahlschneidmittel (Kreissäge) (Option)	Linke Seite	2,36	0,50	
	Rechte Seite	2,15	0,20	



## INTRODUZIONE

Gentile Cliente, grazie per avere acquistato un decespugliatore Honda.

Il presente manuale descrive il funzionamento e la manutenzione del decespugliatore Honda UMK450E.

Honda France Manufacturing S.A.S. si riserva il diritto di apportare modifiche in qualunque momento senza preavviso e senza incorrere in alcun obbligo.

Le illustrazioni contenute in questo manuale si riferiscono al modello più rappresentativo per l'argomento trattato. Le altre illustrazioni, comuni a tutti i tipi, sono basate sul modello UMK450E tipo XEET.

Le illustrazioni dell'attrezzo di taglio contenute in questo manuale si riferiscono al tipo più rappresentativo per l'argomento trattato.

Le altre illustrazioni, comuni a tutti i tipi, sono basate sulla lama flessibile o sulla lama in acciaio (a 3 denti).

Le illustrazioni riportate nel presente manuale potrebbero differire dall'aspetto del modello acquistato.

Nessuna parte di questo manuale può essere riprodotta senza autorizzazione scritta.

Questo manuale deve essere considerato parte integrante del decespugliatore e deve accompagnare il decespugliatore in caso di successiva rivendita.

### MESSAGGI RIGUARDANTI LA SICUREZZA

Prestare particolare attenzione ai messaggi preceduti dalle seguenti parole:

#### ▲AVVERTENZA

Indica che la mancata osservanza delle istruzioni potrebbe provocare gravi lesioni personali o la morte.

#### ATTENZIONE:

Indica che la mancata osservanza delle istruzioni potrebbe provocare lesioni personali o danni alle apparecchiature.

#### NOTA:

Fornisce informazioni utili.

### LEGGERE IL MANUALE D'USO

Prima di utilizzare il decespugliatore, leggere attentamente le istruzioni contenute nel presente manuale. Acquisire familiarità con l'utilizzo corretto e i comandi. Apprendere ad arrestare rapidamente il motore (vedere pagina 26).

Prima di utilizzare il decespugliatore, leggere accuratamente le norme di sicurezza alle pagine 2-4.

I decespugliatori Honda sono progettati per offrire un servizio sicuro e affidabile se utilizzati conformemente alle istruzioni fornite.

#### ▲AVVERTENZA

**L'utilizzo del decespugliatore richiede particolare attenzione per garantire la sicurezza dell'operatore e di altre persone. È importante leggere e comprendere il contenuto di questo Manuale d'uso prima di azionare il decespugliatore, onde evitare lesioni personali o danni alle apparecchiature.**

In caso di problemi o domande riguardo al decespugliatore, rivolgersi al proprio concessionario.

2019 - Honda France Manufacturing S.A.S. - Pôle 45 - Rue des Châtaigniers  
45140 ORMES - FRANCIA - Tutti i diritti riservati

3RVR46000  
00X3R-VR4-6000

0919  
Stampato in Francia

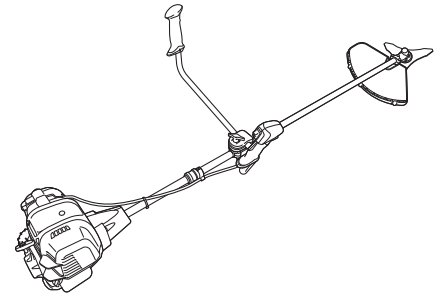
# HONDA

## MANUALE D'USO

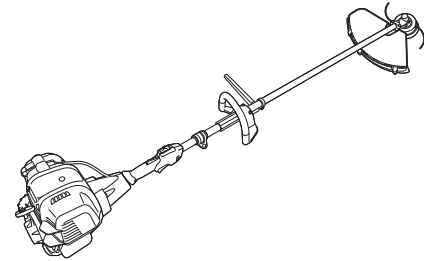
(Istruzioni originali)

### UMK450E Decespugliatori

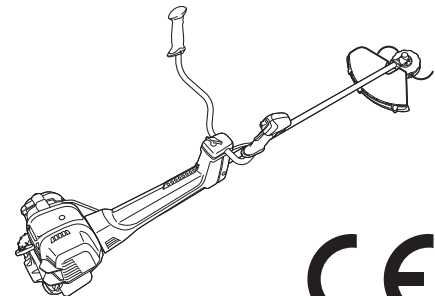
TIPO UEET



TIPO LEET



TIPO XEET

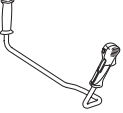



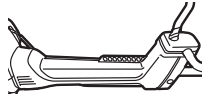


### INDICE

INTRODUZIONE.....	1
COME IDENTIFICARE LA MACCHINA.....	2
NORME DI SICUREZZA.....	2
POSIZIONE DELLE ETICHETTE DI SICUREZZA.....	4
IDENTIFICAZIONE DELLA MACCHINA.....	5
IDENTIFICAZIONE DEI COMPONENTI.....	6
ISTRUZIONI DI MONTAGGIO.....	8
COMANDI E COMPONENTI.....	11
VERIFICHE PRIMA DELL'USO.....	14
AVVIAMENTO DEL MOTORE.....	23
TAGLIO.....	24
ARRESTO DEL MOTORE.....	26
MANUTENZIONE.....	27
TRASPORTO.....	33
RIMESSAGGIO.....	33
INDIVIDUAZIONE DEI GUASTI.....	34
ACCESSORI.....	35
SMALTIMENTO.....	35
INFORMAZIONI TECNICHE.....	35
SPECIFICHE TECNICHE.....	36
Elenco dei maggiori distributori Honda in Europa.....	38
DESCRIZIONE DEL CONTENUTO DELLA "Dichiarazione CE di Conformità".....	39

## COME IDENTIFICARE LA MACCHINA

Il modello del decespugliatore è indicato sull'etichetta di identificazione ed è composto da una serie di lettere.

	UEET	LEET	XEET
 Impugnatura	•*		•*
 Impugnatura ad anello		•	
 Lama flessibile	•*	•*	•*
 Lama in acciaio (a 3 denti)	•*	•*	•*
 Sistema antivibrations			•

\* Le specifiche tecniche possono variare a seconda del tipo.

\* Per elementi opzionali dell'attrezzo di taglio, vedere pagina 35.

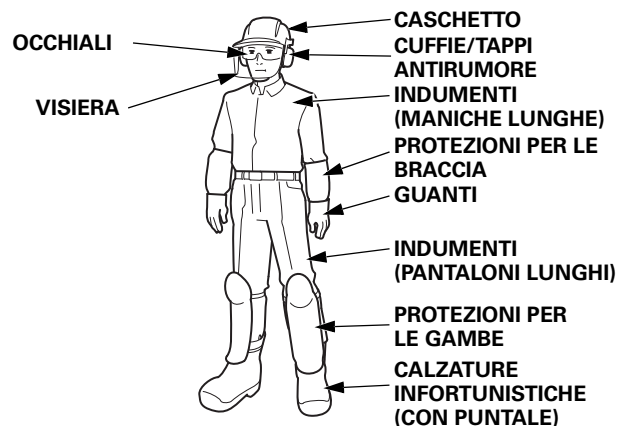
## NORME DI SICUREZZA

### RESPONSABILITÀ DELL'OPERATORE

#### ▲ AVVERTENZA

- Non utilizzare il decespugliatore se si è stanchi, ammalati o sotto l'influsso di alcol o droghe.
- Ogni parte della macchina è una potenziale fonte di pericolo se la macchina viene utilizzata in condizioni anomale o se la manutenzione non viene eseguita in modo corretto.
- Non tentare mai di modificare il decespugliatore. Tale operazione potrebbe causare incidenti e danni al decespugliatore e agli accessori. La manomissione del motore invalida l'omologazione UE del motore.
  - Non collegare una prolunga al silenziatore.
  - Non modificare il sistema di aspirazione.
- Leggere attentamente il Manuale d'uso. Acquisire familiarità con i comandi e l'utilizzo corretto del decespugliatore. Apprendere ad arrestare rapidamente il motore.
- Utilizzare il decespugliatore per lo scopo a cui è destinato, ovvero il taglio di erba e cespugli. Qualsiasi altro impiego può rivelarsi pericoloso o arrecare danni al decespugliatore. Non utilizzare il decespugliatore come roncola.
- Impedire l'utilizzo del decespugliatore ai bambini e alle persone che non hanno familiarità con il presente Manuale d'uso. È possibile che la normativa locale fissi un limite di età per l'operatore.

- Qualora il decespugliatore venga dato in prestito o rivenduto a una terza persona, spiegare a tale persona come maneggiare il prodotto ed esortarla a leggere attentamente il Manuale d'uso prima dell'utilizzo.
- Non utilizzare il decespugliatore quando:
  - persone, soprattutto bambini o animali, sono presenti nelle vicinanze.
- Non utilizzare in caso di stanchezza o malattia, o dopo l'assunzione di farmaci, droghe, alcol o sostanze pericolose che potrebbero interferire con la prontezza di riflessi e la concentrazione.
- Mantenere le persone e gli animali ad almeno 15 metri di distanza dall'operatore durante l'utilizzo della macchina. Qualora l'operatore sia assistito da un'altra persona, anche quest'ultima deve mantenere una distanza di almeno 15 metri dall'operatore. È consigliabile stabilire in anticipo il segnale di arresto del motore e altri segnali di comunicazione tra l'operatore e l'assistente, da adottare per un uso sicuro del decespugliatore.
- Tenere presente che l'operatore o l'utente è responsabile di eventuali incidenti o rischi in cui possano incorrere terzi o i beni di loro proprietà.
- Quando si utilizza il decespugliatore, indossare sempre i seguenti indumenti e dispositivi di protezione.
  - Indumenti di protezione
    - Indossare indumenti idonei con maniche lunghe e pantaloni lunghi. Gli indumenti devono essere aderenti e opportunamente chiusi con bottoni o cerniere. Non lasciare aperte le maniche e la parte inferiore della camicia o della giacca. Indossare anche le protezioni per le braccia. Durante l'uso della macchina, non indossare indumenti con nastri e/o lacci, indumenti larghi, cravatte, collane e così via. Potrebbero rimanere impigliati nel decespugliatore con conseguenti lesioni. Se si portano i capelli lunghi, legarli e fare in modo che non pendano al di sotto delle spalle.
  - Dispositivi di protezione
    - \* **Occhiali**  
Indossare occhiali o altro dispositivo idoneo per proteggere gli occhi dai detriti scagliati dall'attrezzo di taglio durante la rotazione.
    - \* **Caschetto**  
Indossare un caschetto per proteggere la testa dai rami e dal rischio di caduta di materiale dall'alto.
    - \* **Visiera**  
Indossare una visiera per proteggere il volto dai detriti scagliati dall'attrezzo di taglio durante la rotazione.
    - \* **Cuffie/tappi antirumore**  
Indossare cuffie o tappi antirumore, o altro dispositivo idoneo, per proteggere le orecchie dal rumore.
    - \* **Guanti**  
Indossare guanti per proteggere le mani.
    - \* **Calzature infortunistiche**  
Indossare calzature infortunistiche con suola antiscivolo e puntale per proteggere i piedi dal lancio di detriti. Non utilizzare il decespugliatore a piedi nudi o indossando sandali aperti. Indossare anche le protezioni per le gambe.
    - \* **Mascherina antipolvere**  
È consigliabile indossare una mascherina antipolvere qualora si soffra di rinite allergica (pollinosi e così via). Le mascherine antipolvere sono disponibili in farmacia e sono utili per limitare la quantità di pollini respirati.



- Prima dell'uso, verificare sempre mediante ispezione visiva che il decespugliatore e l'attrezzo di taglio non presentino danni e che le parti siano fissate correttamente.
- Non utilizzare la macchina in presenza di condizioni atmosferiche avverse, come fulmini o temporale; in tal caso, interromperne immediatamente l'uso.
- Camminare, non correre durante l'uso.
- Evitare di utilizzare il decespugliatore su pendii ripidi. I pendii ripidi sono molto scivolosi, pertanto comportano il rischio di caduta.
- Non utilizzare il decespugliatore in assenza della protezione dell'attrezzo di taglio, delle etichette o di altre parti. La protezione dell'attrezzo di taglio è fornita allo scopo di proteggere l'operatore dai detriti scagliati dall'attrezzo di taglio rotante. Non utilizzare il decespugliatore se la protezione dell'attrezzo di taglio è stata rimossa o prima di montare saldamente tale protezione nella posizione corretta.
- Non montare parti non idonee e non manomettere il decespugliatore, onde evitare lesioni personali e/o danni alle apparecchiature. Utilizzare l'attrezzo di taglio adatto al proprio modello e all'uso a cui è destinato.
- Prima di avviare il motore, accertarsi che l'attrezzo di taglio non sia a contatto con il terreno e che non sia ostruito. In caso contrario, si potrebbe perdere il controllo del decespugliatore.
- Avviare il motore con cautela rispettando le istruzioni e tenendo mani e piedi a debita distanza dall'attrezzo di taglio.
- Avviare il decespugliatore su una superficie piana, priva di erba alta e ostacoli.
- Durante l'uso non sollevare l'attrezzo di taglio al di sopra del ginocchio, per evitare di essere colpiti agli occhi o al viso dai detriti scagliati dall'attrezzo di taglio, con conseguenti lesioni.
- Non trasportare il decespugliatore mentre l'attrezzo di taglio è in fase di rotazione. Prima di trasportare il decespugliatore, arrestare il motore e accertarsi che l'attrezzo di taglio sia completamente fermo.
- Arrestare il motore posizionando l'interruttore su OFF (spento) nei seguenti casi:
  - Prima di intervenire sull'attrezzo di taglio.
  - Prima di effettuare operazioni di verifica, pulizia, regolazione o riparazione del decespugliatore.
  - In caso di urto con un corpo estraneo. Controllare il decespugliatore per accertare eventuali danni ed eseguire le riparazioni necessarie prima di riavviare e utilizzare nuovamente il decespugliatore.
  - Se il decespugliatore inizia a vibrare in modo anomalo. Accertare immediatamente la causa delle vibrazioni ed eseguire le riparazioni necessarie.
  - Ogni volta che il decespugliatore viene lasciato incustodito.
  - Prima di procedere al rifornimento di carburante.
  - Se vi sono persone o animali nelle vicinanze.
  - Spegnere subito il motore se il decespugliatore inizia a vibrare improvvisamente in modo anomalo. Le vibrazioni improvvise sono sintomo di parti rotanti danneggiate o elementi di fissaggio allentati. Identificare la causa del problema e non avviare il motore prima di avere eseguito la riparazione.
  - Quando i fili si impigliano nell'attrezzo di taglio rotante e svolazzano. Dopo che l'attrezzo di taglio cessa di ruotare, rimuovere i fili.
  - Prima di posare il decespugliatore a terra, accertarsi che l'attrezzo di taglio sia completamente fermo. Tenere presente che l'attrezzo di taglio continua a ruotare per inerzia subito dopo avere rilasciato la leva di comando dell'acceleratore e quando il motore è al minimo.
- Rimuovere regolarmente fili d'erba e sfalci vegetali aggrovigliati dall'attrezzo di taglio (in caso di blocco, pulire l'attrezzo di taglio o la relativa protezione, avendo cura di spegnere il motore).
- Per le macchine dotate di frizione, eseguire controlli periodici per accertarsi che l'attrezzo di taglio smetta di ruotare quando il motore è al minimo.
- Accertarsi che le impugnature siano pulite e asciutte, prive di olio e sporcizia.
- Se rilasciando l'acceleratore il motore gira al minimo ma l'attrezzo di taglio continua a ruotare, significa che il decespugliatore non funziona correttamente ed è quindi necessario regolare il regime minimo. Rivolgersi al proprio concessionario.
- Mantenere il serraggio appropriato di dadi, bulloni e viti per garantire l'uso del decespugliatore in condizioni di sicurezza. È essenziale eseguire una manutenzione regolare per la sicurezza dell'utente e per mantenere prestazioni elevate.
- Non utilizzare il decespugliatore con parti usurate o danneggiate. Le parti devono essere sostituite o riparate. Sostituire le parti usurate o danneggiate con parti originali Honda o equivalenti. L'uso di parti di qualità non equivalente potrebbe provocare danni alla macchina e compromettere la sicurezza dell'operatore.
- Regolare la posizione di presa del decespugliatore. Accertarsi di eseguire la regolazione a motore spento. Regolare l'imbracatura doppia in modo che il dispositivo di sgancio rapido sia posizionato all'altezza dell'anca. Agganciare il decespugliatore all'imbracatura doppia. Regolare la lunghezza dell'imbracatura doppia in modo che l'attrezzo di taglio risulti parallelo al suolo e rimanga al di sopra del terreno mantenendo la distanza adeguata. Le persone molto alte potrebbero avere difficoltà a tenere il decespugliatore nella posizione corretta. Non utilizzare il decespugliatore se l'attrezzo di taglio si trova vicino ai propri piedi quando si tiene il decespugliatore nella posizione corretta.
- Verificare il bilanciamento tra i lati anteriore e posteriore del decespugliatore, per garantire un controllo adeguato e ridurre l'affaticamento. Impugnare il decespugliatore in modo corretto attenendosi alle istruzioni fornite in questo manuale. Allentare la presa sull'impugnatura gradualmente. Non rilasciare ma afferrare delicatamente l'impugnatura con le mani e verificare che la distanza tra l'attrezzo di taglio e il suolo non cambi eccessivamente. Se l'attrezzo di taglio raggiunge un'altezza superiore a quella del ginocchio, è necessario regolare il bilanciamento. Non utilizzare il decespugliatore prima di avere eseguito tale regolazione.
- Tenere saldamente il decespugliatore con entrambe le mani durante l'uso, per evitare di perderne il controllo.
- Lesioni causate dalle vibrazioni e dal freddo:
  - A seconda della propria costituzione, l'utente potrebbe avvertire formicolio o bruciore alle dita; inoltre le dita potrebbero perdere colore e sensibilità. Si ritiene che tali sintomi siano causati dalle vibrazioni e/o dall'esposizione al freddo. I punti di innesco specifici dei suddetti sintomi non sono stati ancora identificati, tuttavia è buona norma osservare le seguenti precauzioni.
    - Limitare il tempo dedicato all'uso del decespugliatore nell'arco della giornata. Una giornata di lavoro deve essere suddivisa tra l'uso del decespugliatore e altre attività che non comportino l'impiego di utensili portatili, in modo da limitare la quantità di tempo in cui le mani sono sottoposte alle vibrazioni della macchina.
    - Mantenere il corpo caldo, con particolare attenzione a mani, polsi e braccia.
    - Fare pause più frequenti e fare esercizi per le braccia al fine di mantenere una buona circolazione sanguigna. Evitare di fumare durante il lavoro.
    - In caso di dolore, arrossamento o gonfiore delle dita, seguiti da pallore e perdita di sensibilità, consultare il proprio medico.
  - Se si ha la percezione che il decespugliatore vibri eccessivamente, sottoporlo al controllo del proprio concessionario.
- Lesioni causate da movimenti ripetitivi:
  - Eseguire movimenti ripetitivi per periodi prolungati può causare lesioni. Adottare le seguenti precauzioni per ridurre i rischi di lesioni.
    - \* Evitare i movimenti ripetitivi che comportano l'uso dei polsi in posizione piegata, tesa o contorta.
    - \* Fare pause regolari per ridurre al minimo gli effetti dei movimenti ripetitivi. Dedicare il tempo necessario all'esecuzione delle operazioni ripetitive. Non utilizzare il decespugliatore frettolosamente.
    - \* Se si avverte formicolio o intorpidimento alle dita, alle mani, ai polsi e/o alle braccia, consultare il proprio medico.

## SICUREZZA DEI BAMBINI

- Tenere i bambini al chiuso e sotto sorveglianza ogni volta che un decespugliatore motorizzato viene utilizzato nelle vicinanze. I bambini piccoli si muovono velocemente e sono particolarmente incuriositi dal funzionamento del decespugliatore.
- Non dare mai per scontato che i bambini rimangano nel posto in cui si trovavano solo un attimo prima. Usare cautela e spegnere subito il decespugliatore in presenza di bambini.
- I bambini non devono mai utilizzare il decespugliatore, nemmeno sotto la sorveglianza di un adulto.

## RISCHIO DI LANCIO DI OGGETTI

Oggetti colpiti dall'attrezzo di taglio rotante possono essere proiettati dal decespugliatore con grande forza e causare lesioni gravi.

- Ispezionare accuratamente la zona da decespugliare e rimuovere eventuali oggetti (pietre, rami, filo di ferro, ossi e così via) che potrebbero essere scagliati dall'attrezzo di taglio.

## RISCHIO DI INCENDIO E USTIONI

La benzina è altamente infiammabile e i vapori di benzina comportano il pericolo di esplosione. Maneggiare la benzina con estrema attenzione. Tenere la benzina lontano dalla portata dei bambini.

- Conservare il carburante in appositi recipienti.
- Fare rifornimento solo all'esterno, evitando di fumare durante tale operazione o mentre si maneggia il carburante.
- Aggiungere carburante prima di avviare il motore. Non rimuovere il tappo del serbatoio carburante né fare rifornimento quando il motore è in funzione o ancora caldo.
- Non avviare il motore se è stata versata della benzina. Allontanare il decespugliatore dalla zona in cui si è rovesciato il carburante ed evitare di creare fonti di ignizione fino alla completa dissoluzione dei vapori di benzina.
- Chiudere saldamente i serbatoi di carburante e i tappi dei recipienti.  
Dopo avere fatto rifornimento, avviare il motore ad almeno 3 metri di distanza dal luogo in cui è stato versato il carburante.
- Se il serbatoio contiene benzina, non riporre il decespugliatore all'interno di un edificio in cui i vapori di benzina potrebbero raggiungere fiamme, scintille o fonti di calore.
- Lasciare raffreddare il motore prima di riporre la macchina in qualsiasi luogo chiuso.
- Per ridurre il rischio di incendio, rimuovere dal decespugliatore (in particolare da motore, silenziatore nonché dalla zona di stoccaggio della benzina) fili d'erba, foglie e olio in eccesso.  
Non lasciare contenitori di materiali vegetali all'interno o nelle vicinanze di un edificio.
- Eseguire l'operazione di svuotamento del serbatoio carburante all'esterno e a motore freddo.

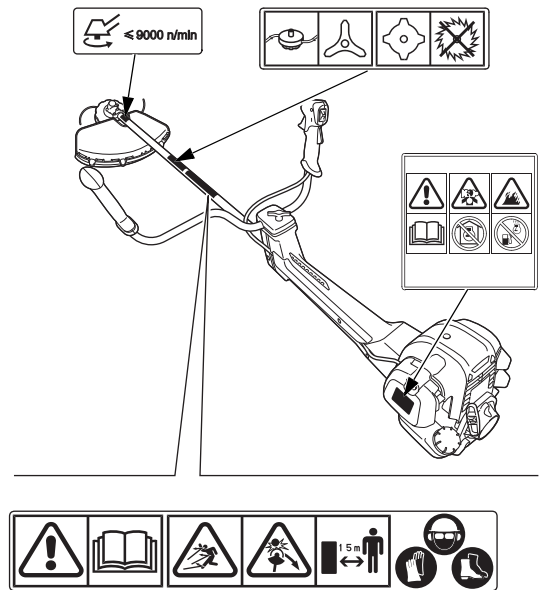
## RISCHIO DI INTOSSICAZIONE DA MONOSSIDO DI CARBONIO

Gli scarichi del motore contengono monossido di carbonio, un gas altamente tossico incolore e inodore. L'inalazione dei gas di scarico possono causare perdita di coscienza e portare alla morte.

- Se si aziona il motore in un luogo chiuso, o parzialmente chiuso, l'aria respirata potrebbe contenere una quantità pericolosa di gas di scarico. Per evitare l'accumulo dei gas di scarico, garantire un'adeguata aerazione.
- Sostituire i silenziatori difettosi.
- Non azionare il motore in ambienti chiusi dove possano accumularsi pericolosi vapori di monossido di carbonio.

## POSIZIONE DELLE ETICHETTE DI SICUREZZA

Il decespugliatore deve essere utilizzato con attenzione. Per tale motivo il decespugliatore è provvisto di etichette che, attraverso dei pittogrammi, ricordano le principali precauzioni da adottare durante l'uso. Il loro significato è spiegato in questo capitolo. Queste etichette sono considerate parte integrante del decespugliatore. Se una di esse dovesse staccarsi o diventare illeggibile, contattare il proprio concessionario per la sostituzione.

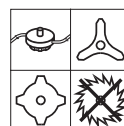


- Il decespugliatore Honda è progettato per offrire un servizio sicuro e affidabile se utilizzato conformemente alle istruzioni fornite. Leggere attentamente il Manuale d'uso e osservare gli avvisi e le norme di sicurezza. La mancata osservanza potrebbe provocare lesioni personali o danni al decespugliatore.



- Tenere lontano terze persone e animali dall'area in cui viene utilizzato il decespugliatore.
- Una macchina provvista di una lama in acciaio può subire un violento contraccolpo laterale se la lama viene a contatto con un corpo solido. Per evitare il contatto accidentale con la lama rotante o gli oggetti scagliati durante l'uso dell'attrezzo di taglio, accertarsi che eventuali persone e animali si trovino a una distanza di sicurezza di almeno 15 metri quando si utilizza il decespugliatore.

- Indossare dispositivi di protezione per gli occhi e per le orecchie.
- Indossare un caschetto per proteggere la testa se esiste il rischio di caduta di materiale dall'alto.
- Indossare calzature e guanti antiscivolo.



- Il decespugliatore deve essere utilizzato con un attrezzo di taglio con filo di nylon o dischi metallici oppure con una lama da sega circolare. Quando si utilizza il decespugliatore con una lama da sega circolare, sostituire la protezione dell'attrezzo di taglio standard con la protezione dell'attrezzo di taglio opzionale per lama da sega circolare. Non utilizzare una lama da sega circolare con la protezione dell'attrezzo di taglio standard.





- Quando si sostituisce la lama in acciaio, utilizzare una lama adatta a una velocità di rotazione massima di 9.000 n/min o superiore.



- La benzina è altamente infiammabile ed esplosiva. Spegnerne il motore e lasciarlo raffreddare prima di effettuare il rifornimento.

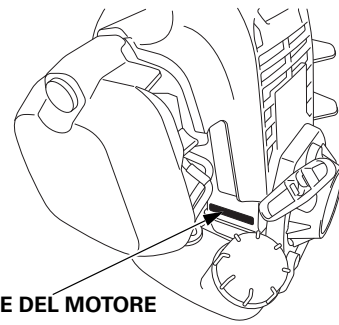


- Il motore rilascia monossido di carbonio che è un gas tossico velenoso. Non azionare in un luogo chiuso.

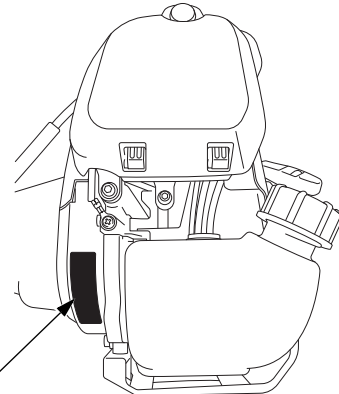


- Leggere il Manuale d'uso prima di azionarlo.

## IDENTIFICAZIONE DELLA MACCHINA

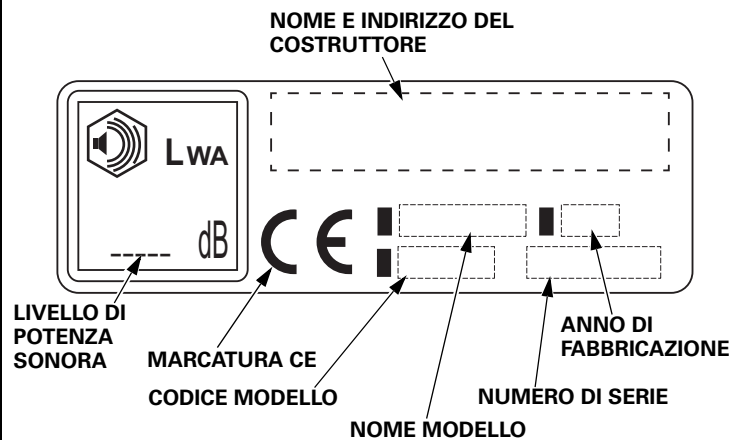


NUMERO DI SERIE DEL MOTORE



TARGHETTA DI IDENTIFICAZIONE

### TARGHETTA DI IDENTIFICAZIONE



Annotare il numero di serie del telaio, il numero di serie del motore e la data di acquisto negli spazi sottostanti. Tali informazioni sono necessarie quando si ordinano parti o si inoltrano richieste di informazioni tecniche o riguardanti la garanzia.

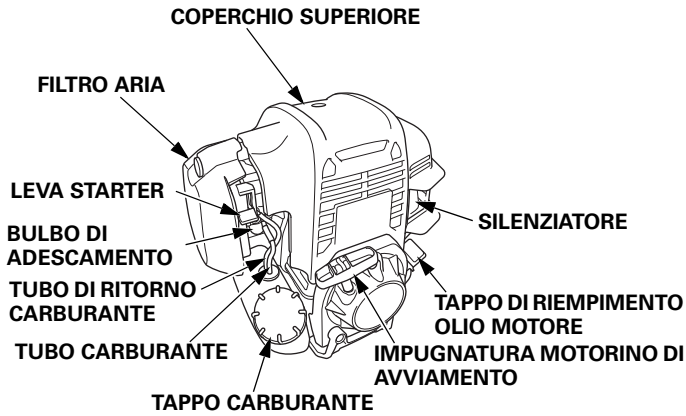
Numero di serie del telaio

Numero di serie del motore

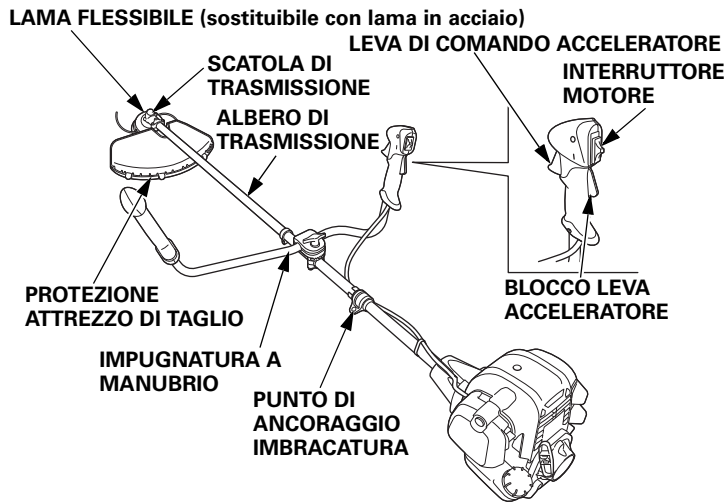
Data di acquisto

## IDENTIFICAZIONE DEI COMPONENTI

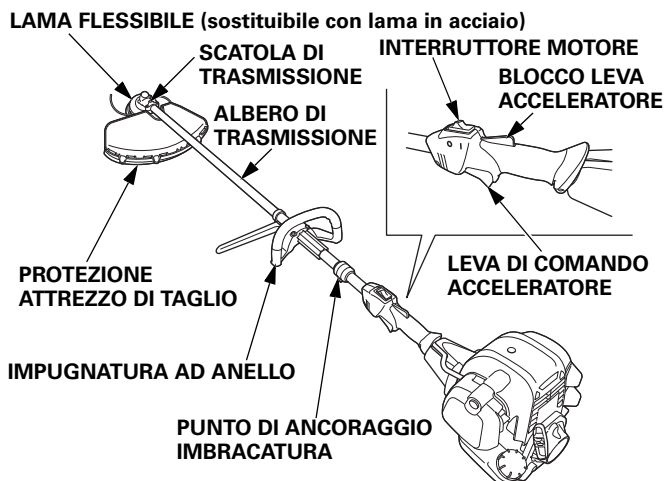
### MOTORE (TUTTI I TIPI):



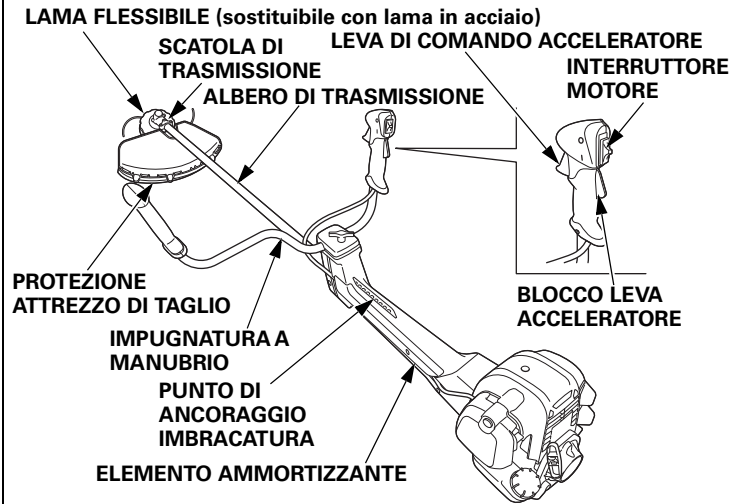
### TELAIO (TIPO UEET):



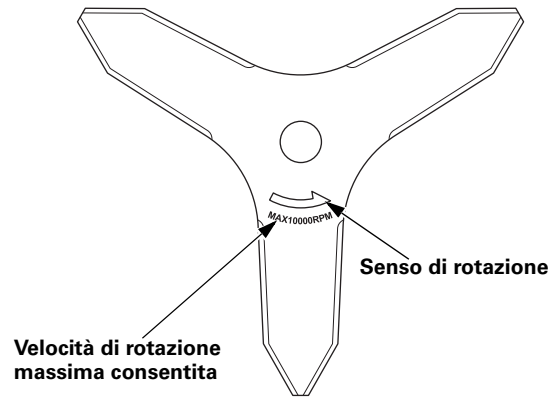
### TELAIO (TIPO LEET):



### TELAIO (TIPO XEET):

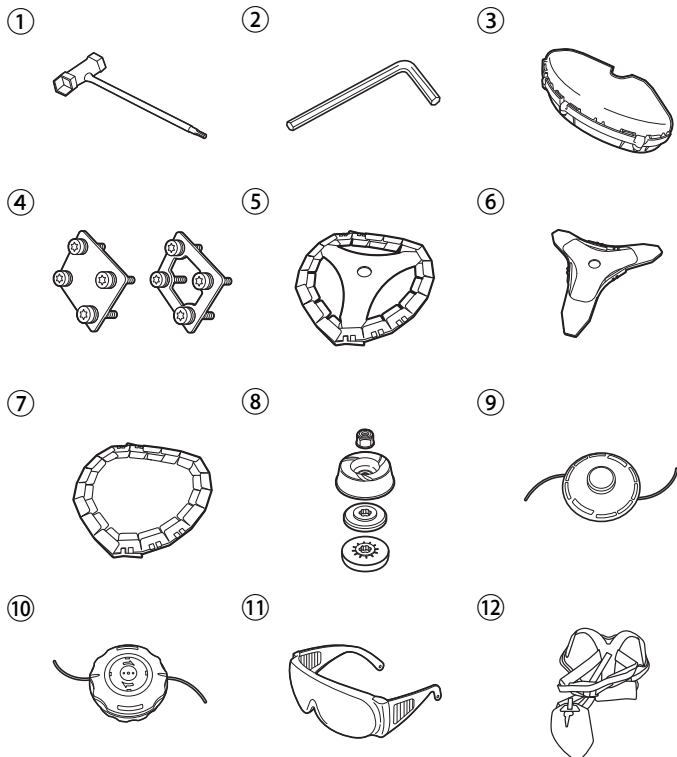


### INDICAZIONE RIPORTATA SULLA LAMA IN ACCIAIO (A 3 DENTI):



## SINGOLE PARTI

Verificare che le parti illustrate di seguito siano fornite con il prodotto.



- ① Chiave da 16 x 19 mm
- ② Chiave esagonale da 4 mm
- ③ Protezione dell'attrezzo di taglio
- ④ Distanziale e quattro bulloni (sinistra: tipi UEET e LEET, destra: tipo XEET)
- ⑤ Lama in acciaio (a 3 denti) e protezione (tipi UEET e LEET)
- ⑥ Lama in acciaio (a 3 denti) e protezione (tipo XEET)
- ⑦ Protezione della lama per lama in acciaio opzionale (tipo XEET)
- ⑧ Distanziale A, distanziale B, stabilizzatore e dado della lama (dal basso)
- ⑨ Lama flessibile (tipi UEET e LEET)
- ⑩ Lama flessibile (tipo XEET)
- ⑪ Occhiali
- ⑫ Imbracatura doppia

## ISTRUZIONI DI MONTAGGIO

Il montaggio corretto è essenziale per garantire la sicurezza dell'operatore e l'affidabilità del decespugliatore. Qualsiasi errore o omissione commessi dalla persona incaricata di eseguire il montaggio e la manutenzione del decespugliatore può causare malfunzionamenti, danni alla macchina o lesioni all'operatore.

### ▲ AVVERTENZA

**Il montaggio errato può comportare condizioni d'uso non sicure che a loro volta possono causare lesioni gravi o la morte. Osservare attentamente le procedure e le precauzioni descritte nelle istruzioni di montaggio.**

### AGGIUNTA DI OLIO MOTORE

Il decespugliatore viene fornito **SENZA OLIO** nel motore. Aggiungere l'olio consigliato (pagina 31) fino a raggiungere il limite superiore. Per aggiungere l'olio motore, vedere pagina 31.

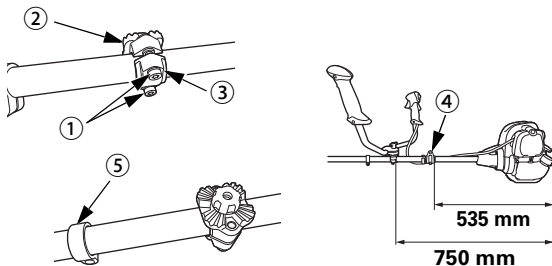
### NOTA:

Il motore potrebbe subire gravi danni se viene azionato con una quantità insufficiente di olio motore. Aggiungere olio motore fino a raggiungere il limite superiore prima di utilizzare il decespugliatore. Non utilizzare olio non detergente o olio per motori a 2 tempi. Tali tipi di olio potrebbero accorciare la vita del motore.

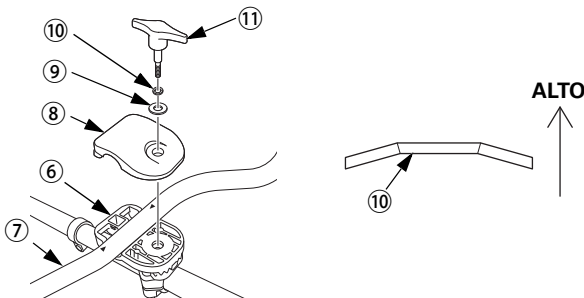
### MONTAGGIO DEL MANUBRIO

#### Tipo UEET

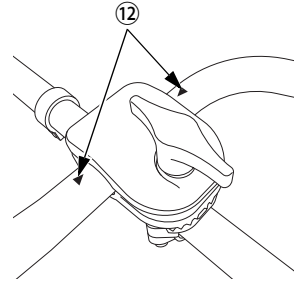
1. Allentare due bulloni ①. Fare scorrere il supporto impugnatura B ② e il supporto impugnatura C ③ nella posizione standard (come mostrato nella figura sottostante) e serrare i due bulloni ①. Coppia di serraggio: 9,8 N·m (1,0 kgf·m). Controllare la posizione del punto di ancoraggio imbracatura ④. Le posizioni standard sono mostrate nella figura sottostante. La posizione del supporto impugnatura può essere regolata successivamente, in base alle esigenze. Per ragioni di sicurezza, il manubrio e il supporto impugnatura non devono essere montati oltre il collare di sicurezza ⑤.



2. Posizionare il supporto impugnatura D ⑥ sul supporto impugnatura B ②. Quindi posizionare il manubrio ⑦ sul supporto impugnatura D ⑤. Montare il supporto impugnatura A ⑧, la rondella piana ⑨ e la rondella conica ⑩. Serrare leggermente il bullone di regolazione del manubrio ⑪. Prestare attenzione al senso di rotazione della rondella conica. Il lato convesso deve essere rivolto verso l'alto.



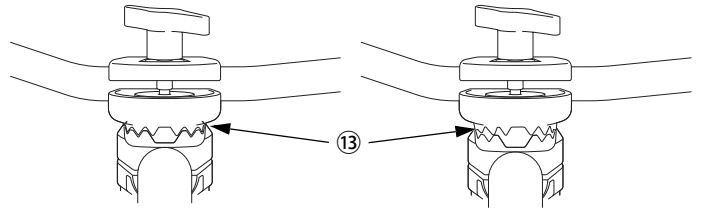
3. Regolare la posizione laterale e l'inclinazione del manubrio. Le due frecce ⑫ sul manubrio devono essere visibili. Per regolare l'inclinazione del manubrio, vedere pagina 19.



4. Posizionare correttamente i lati dentati ⑬ e serrare a fondo il bullone di regolazione ⑩.

**OK (lati dentati posizionati in modo corretto)**

**NON OK (lati dentati posizionati in modo errato)**

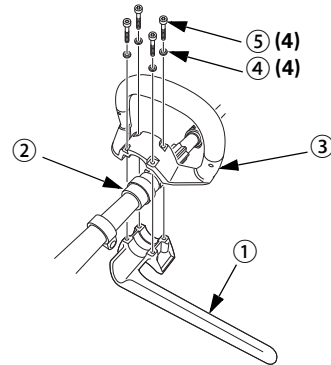


### NOTA:

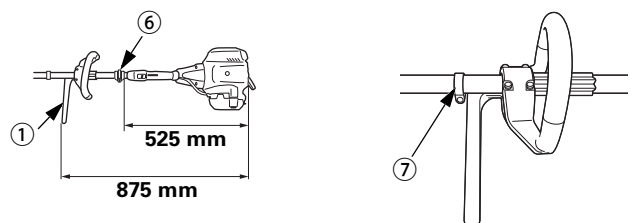
Quando si serra il bullone di regolazione, accertarsi che i lati dentati siano posizionati correttamente. Se i lati dentati sono posizionati in modo errato, il bullone di regolazione potrebbe rompersi durante il serraggio.

#### Tipo LEET

1. Posizionare la protezione ① sulla parte inferiore del gommino ② posto sull'albero di trasmissione. Posizionare l'impugnatura ad anello ③ sulla parte superiore del gommino ②. Inserire quattro rondelle ④ e quattro bulloni ⑤. Serrare leggermente i quattro bulloni ⑤. Coppia di serraggio: 1,8 N·m (0,2 kgf·m)



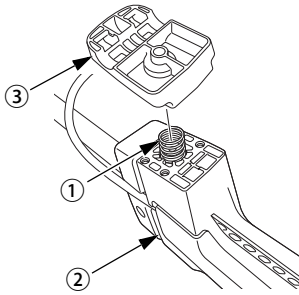
2. Controllare la posizione dell'impugnatura ad anello ① e del punto di ancoraggio imbracatura ⑥. Le posizioni standard sono mostrate nella figura sottostante. Se è necessario, regolarne le posizioni. La posizione dell'impugnatura ad anello può essere regolata successivamente, in base alle esigenze. Per ragioni di sicurezza, l'impugnatura ad anello non deve essere montata oltre il collare di sicurezza ⑦.



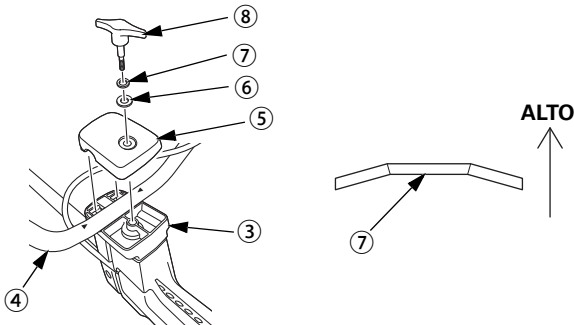
3. Serrare a fondo i quattro bulloni ⑤.

## Tipo XEET

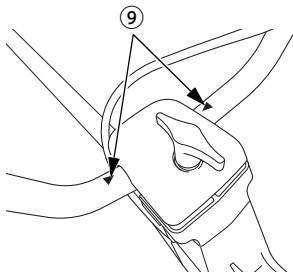
1. Posizionare la molla ① sul foro dell'elemento ammortizzante ②. Quindi posizionare il supporto impugnatura B ③ sull'elemento ammortizzante ②.



2. Posizionare il manubrio ④ sul supporto impugnatura B ③. Montare il supporto impugnatura A ⑤, la rondella piana ⑥ e la rondella conica ⑦. Serrare leggermente il bullone di regolazione del manubrio ⑧. Prestare attenzione al senso di rotazione della rondella conica. Il lato convesso deve essere rivolto verso l'alto.



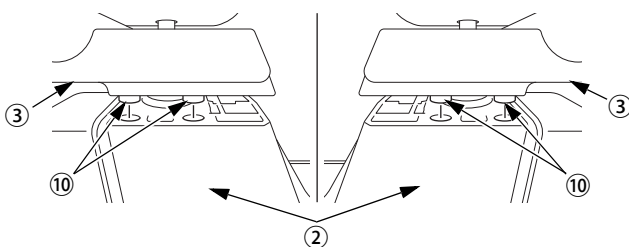
3. Regolare la posizione laterale e l'inclinazione del manubrio. Le due frecce ⑨ sul manubrio devono essere visibili. Per regolare l'inclinazione del manubrio, vedere pagina 19.



4. Premere leggermente il supporto impugnatura A ⑤ e serrare a fondo il bullone di regolazione del manubrio ⑧. Accertarsi che le quattro linguette ⑩ sul supporto impugnatura B ③ si inseriscano correttamente nei fori dell'elemento ammortizzante ②.

LATO SINISTRO

LATO DESTRO



## MONTAGGIO DELL'ATTREZZO DI TAGLIO

### AVVERTENZA

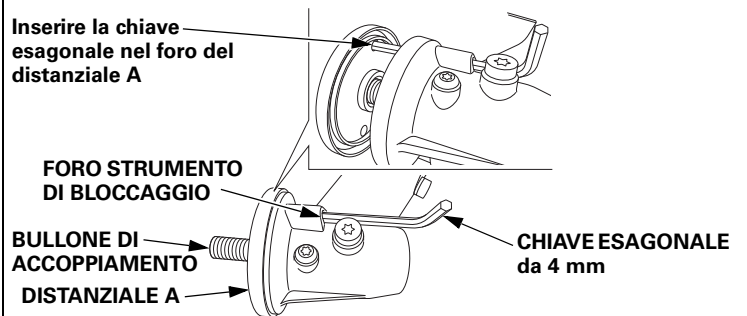
- Per evitare lesioni personali gravi, accertarsi che l'interruttore del motore sia in posizione OFF (spento), onde impedirne l'avviamento accidentale.
- Per ragioni di sicurezza, prima di avviare il motore verificare che l'attrezzo di taglio non presenti danni o segni di usura e controllare che sia fissato correttamente. L'utilizzo del decespugliatore con un attrezzo di taglio usurato, incrinato o danneggiato può provocare lesioni personali o danni al decespugliatore. Un attrezzo di taglio usurato, incrinato o danneggiato può rompersi e i pezzi risultanti possono colpire l'operatore o altre persone presenti nelle vicinanze, causandone la morte o arrecando gravi lesioni.

### ATTENZIONE:

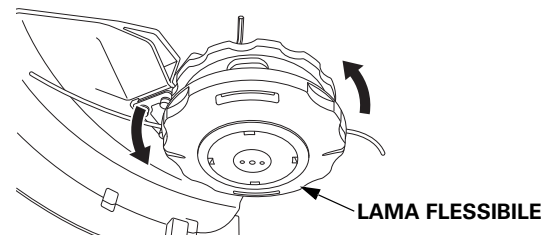
- Prima di intervenire sull'attrezzo di taglio, indossare guanti spessi per proteggere le mani.

### Lama flessibile

1. Accertarsi che il distanziale A sia montato nella scatola di trasmissione.
2. Inserire la chiave esagonale da 4 mm nel foro dello strumento di bloccaggio per impedire al bullone di accoppiamento di ruotare.



3. Ruotare la lama flessibile in senso antiorario per montarla sulla scatola di trasmissione.



## Lama in acciaio

### ATTENZIONE:

- Per evitare lesioni personali, prima di intervenire sulla lama in acciaio, posizionare la protezione della lama.

Per posizionare la protezione della lama, vedere pagina 14.

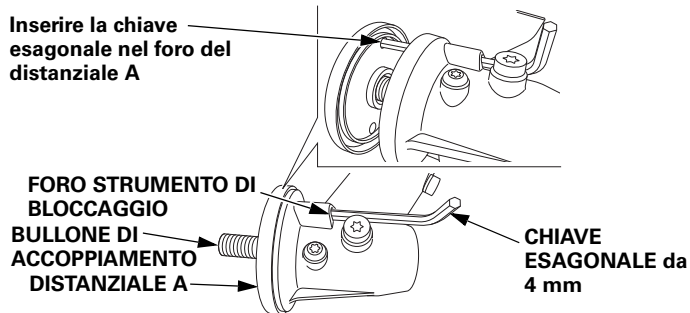
Specifiche tecniche della lama in acciaio (a 3 denti):

Tipi UEET, LEET: 255 mm di diametro, lama a 3 denti, velocità di rotazione massima consentita inferiore a  $10.000 \text{ min}^{-1}$  (giri/min).

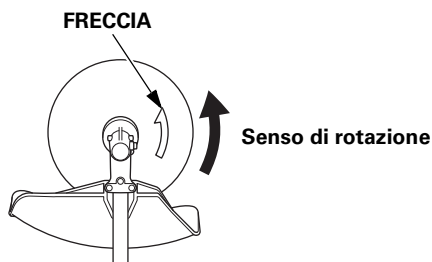
Tipo XEET: 303 mm di diametro, lama a 3 denti, velocità di rotazione massima consentita inferiore a  $10.000 \text{ min}^{-1}$  (giri/min).

Per la lama in acciaio opzionale, rivolgersi al proprio concessionario.

1. Inserire la chiave esagonale da 4 mm nel foro dello strumento di bloccaggio per impedire al bullone di accoppiamento di ruotare.



2. Montare la lama in acciaio. Accertarsi che la sporgenza del distanziale A sia allineata con il foro della lama. Osservare la direzione della freccia sulla lama in acciaio e montare la lama nel senso corretto.



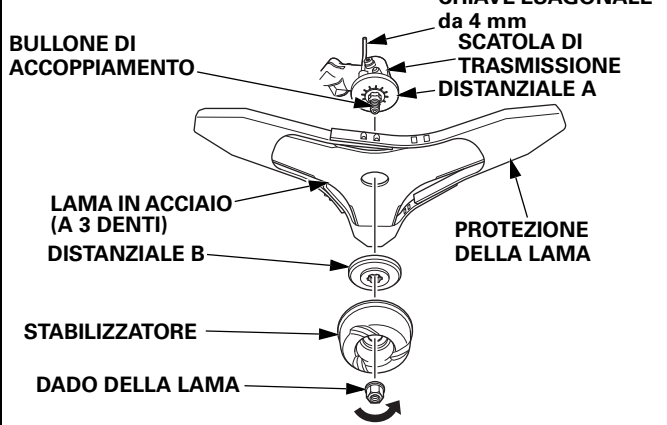
3. Montare il distanziale B, lo stabilizzatore e il dado della lama. Serrare il dado della lama in base alla coppia di serraggio specificata. Il bullone di accoppiamento e il dado della lama presentano filettatura sinistrorsa. Ruotare in senso antiorario per procedere al montaggio.

Coppia di serraggio del dado della lama:

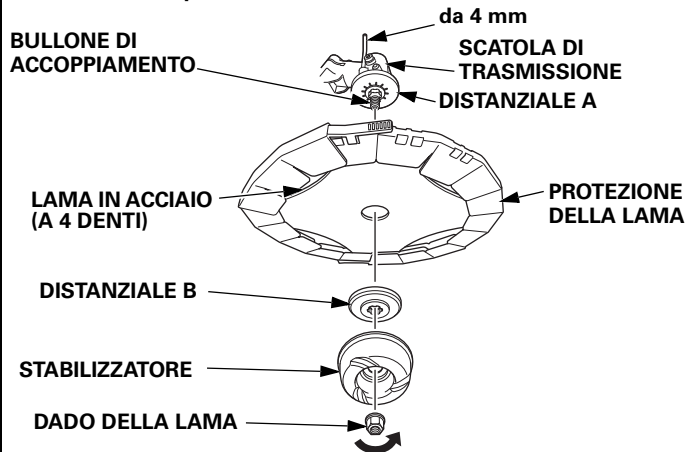
UEET, LEET:  $19,2 \text{ N}\cdot\text{m}$  (1,9 kgf·m)

XEET:  $29,0 \text{ N}\cdot\text{m}$  (3,0 kgf·m)

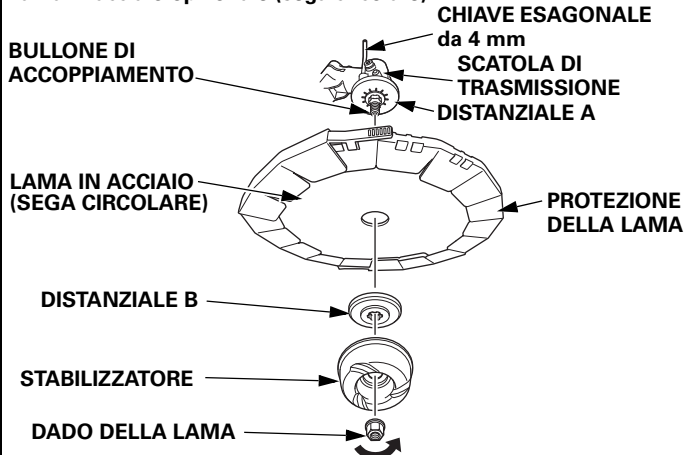
Lama in acciaio (a 3 denti):



Lama in acciaio opzionale (a 4 denti):



Lama in acciaio opzionale (sega circolare):



### ⚠ AVVERTENZA

- Utilizzare la lama in acciaio (sega circolare) solo con i tipi UEET e XEET. Non utilizzare mai tale lama con il tipo LEET. Il tipo LEET non è stato progettato per l'uso con la lama in acciaio (sega circolare); l'impiego del tipo LEET con la lama in acciaio (sega circolare) potrebbe causare incidenti inattesi.
- Non montare la lama in acciaio (sega circolare) in senso contrario. Quando si esegue il montaggio, osservare la direzione della freccia sulla lama in acciaio (sega circolare) e montare la lama nel senso corretto.
- La lama in acciaio (sega circolare) deve essere montata con la protezione dell'attrezzo di taglio opzionale (vedere pagina 11).

4. Dopo avere serrato il dado della lama, ruotare la lama in acciaio con le mani e verificare che sia centrata correttamente. Accertarsi che la lama in acciaio non sia smentrata e che non interferisca con le parti vicine.



## MONTAGGIO DELLA PROTEZIONE DELL'ATTREZZO DI TAGLIO

### ▲AVVERTENZA

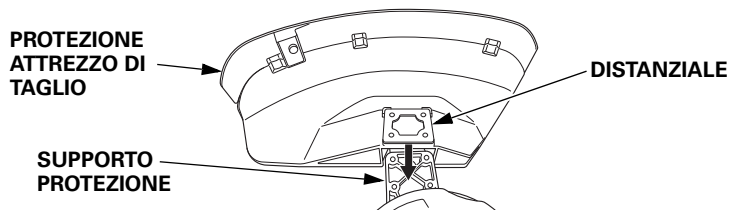
- Montare saldamente la protezione dell'attrezzo di taglio nella posizione corretta per proteggere l'operatore dai detriti scagliati dall'attrezzo di taglio rotante.
- Non utilizzare il decespugliatore senza la protezione dell'attrezzo di taglio. Pietre o altri corpi estranei scagliati dall'attrezzo di taglio o il contatto con l'attrezzo di taglio rotante possono causare lesioni personali o danni alle cose.

### ATTENZIONE:

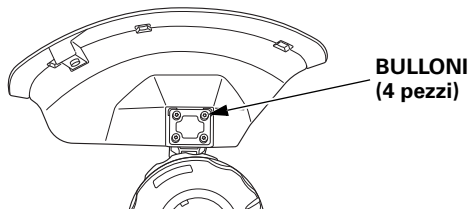
- Prima di intervenire sull'attrezzo di taglio, indossare guanti spessi per proteggere le mani.

### Protezione dell'attrezzo di taglio standard per lama in acciaio (a 3 denti e a 4 denti) e lama flessibile:

1. Posizionare il distanziale sulla protezione dell'attrezzo di taglio. Quindi fissare entrambi gli elementi al supporto protezione sulla scatola di trasmissione.



2. Inserire quattro bulloni. Serrarli a fondo utilizzando l'estremità Torx della chiave da 16 x 19 mm. Coppia di serraggio del bullone: 5,5 N·m (0,6 kgf·m)



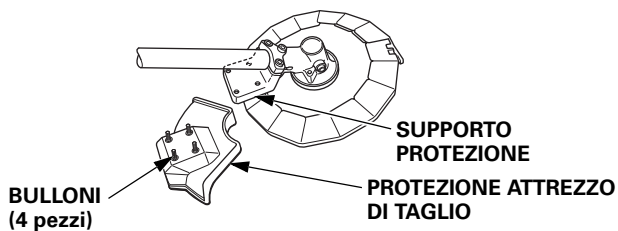
Quando si utilizza la lama in acciaio (a 3 denti e a 4 denti), il pezzo inferiore della protezione dell'attrezzo di taglio deve essere rimosso. Per eseguire la rimozione, vedere pagina 16.

### Protezione dell'attrezzo di taglio opzionale per lama in acciaio (sega circolare):

Fissare la protezione dell'attrezzo di taglio al supporto protezione sulla scatola di trasmissione. Inserire il distanziale e quattro bulloni. Serrarli utilizzando l'estremità Torx della chiave da 16 x 19 mm.

Coppia di serraggio del bullone: 5,5 N·m (0,6 kgf·m)

È possibile utilizzare distanziali e bulloni standard.



## COMANDI E COMPONENTI

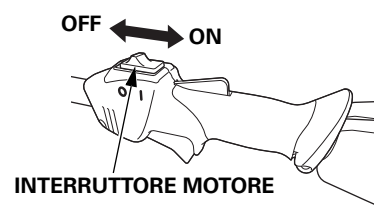
### INTERRUTTORE MOTORE

L'interruttore motore attiva e disattiva il sistema di accensione. Per avviare il motore, l'interruttore motore deve essere in posizione ON (acceso). Per arrestare il motore, portare l'interruttore motore in posizione OFF (spento).

Tipi UEET, XEET



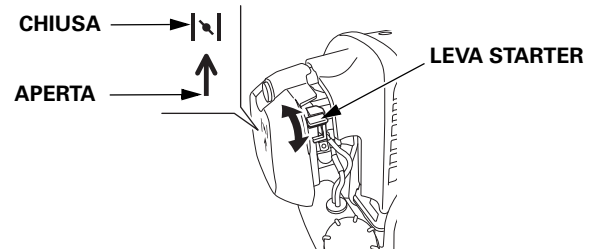
Tipo LEET



### LEVA STARTER

La leva dello starter consente di aprire e chiudere la valvola dell'aria del carburatore. La posizione CHIUSA arricchisce la miscela di carburante per avviare il motore a freddo.

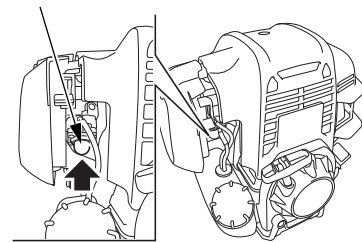
La posizione APERTA fornisce la miscela di carburante appropriata per l'uso dopo l'avviamento, nonché per riavviare il motore quando è ancora caldo.



### BULBO DI ADESCAMENTO

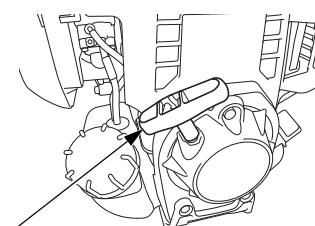
Premere il bulbo di adescamento per consentire il passaggio della benzina dal serbatoio del carburante al carburatore. Questa operazione è necessaria per avviare il motore.

BULBO DI ADESCAMENTO



### IMPUGNATURA MOTORINO DI AVVIAMENTO

Tirare l'impugnatura del motorino di avviamento per azionare il motorino di avviamento a strappo quando si desidera avviare il motore.



## LEVA DI COMANDO ACCELERATORE

La leva di comando dell'acceleratore consente di controllare il regime del motore.

Tirare e rilasciare la leva di comando dell'acceleratore mostrata di seguito per aumentare o ridurre i giri del motore.

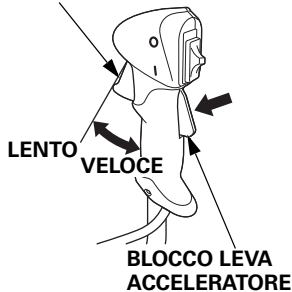
Il blocco leva acceleratore consente di azionare la leva di comando dell'acceleratore. Per tirare la leva di comando dell'acceleratore, è necessario premere dapprima il blocco leva acceleratore.

Tirando gradualmente la leva di comando dell'acceleratore, i giri del motore aumentano e l'attrezzo di taglio inizia a ruotare. Tirare la leva di comando dell'acceleratore ulteriormente per aumentare ancora i giri del motore e la velocità di rotazione dell'attrezzo di taglio.

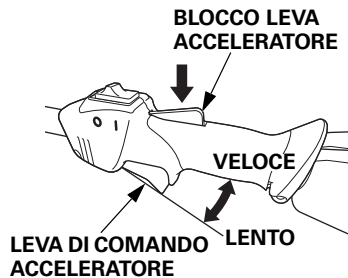
Rilasciando la leva di comando dell'acceleratore, il regime del motore cala, mentre l'attrezzo di taglio continua a ruotare brevemente per inerzia fino all'arresto completo.

### Tipi UEET, XEET

#### LEVA DI COMANDO ACCELERATORE



### Tipo LEET



## PUNTO DI ANCORAGGIO IMBRACATURA E GANCIO

Quando si utilizza il decespugliatore, indossare l'imbracatura doppia (vedere pagina 20) e fissare il gancio al punto di ancoraggio dell'imbracatura.

### ▲AVVERTENZA

- **Indossare sempre l'imbracatura doppia prima di utilizzare il decespugliatore. In caso contrario, l'instabilità del decespugliatore potrebbe causare lesioni.**
- **Per la sicurezza e il comfort di utilizzo, è importante regolare le bretelle dell'imbracatura in modo da non sentirsi impacciati e consentire il corretto bilanciamento della macchina in posizione operativa.**

### Tipi UEET, LEET:

Il punto di ancoraggio imbracatura presenta un foro di aggancio.

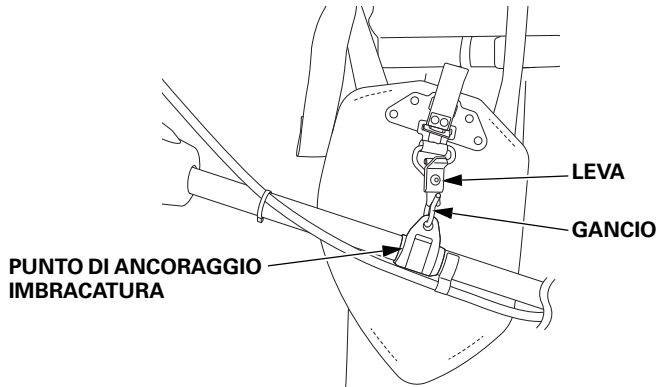
Per sganciare il decespugliatore, premere la leva sul gancio e sfilare il punto di ancoraggio imbracatura dal gancio.

### Tipo XEET:

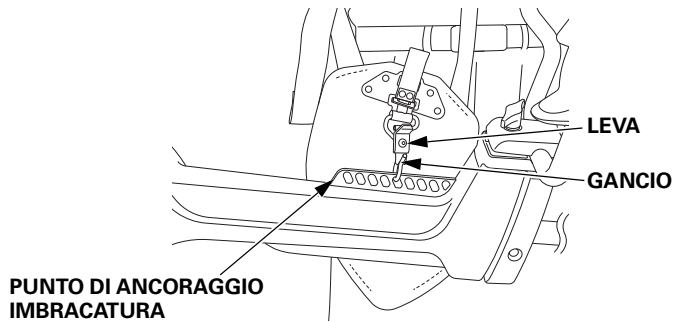
Il punto di ancoraggio imbracatura presenta nove fori di aggancio. È possibile scegliere il foro più adatto per agganciare il decespugliatore in modo da ottenere il bilanciamento corretto. Per sganciare il decespugliatore, premere la leva sul gancio e sfilare il punto di ancoraggio imbracatura dal gancio.

Per bilanciare il decespugliatore quando è agganciato, vedere pagina 19.

### Tipi UEET, LEET



### Tipo XEET

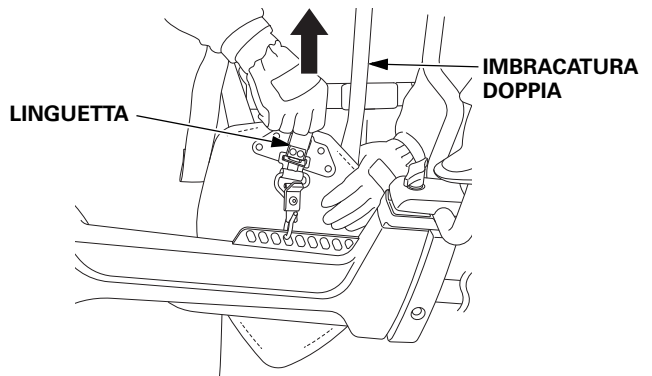


## DISPOSITIVO DI SGANCIO RAPIDO

### NOTA:

- Quando si agisce sul dispositivo di sgancio rapido per sganciare il decespugliatore, questo potrebbe cadere. Quando si verifica il funzionamento del dispositivo di sgancio rapido, non fissare il decespugliatore al gancio posto sulla cintura lombare, per impedire al decespugliatore di cadere con conseguenti danni.

La linguetta del dispositivo di sgancio rapido consente di sganciare il decespugliatore dal corpo in caso di emergenza. Tirare la linguetta del dispositivo di sgancio rapido verso l'alto e allontanare il decespugliatore dall'imbracatura doppia. Quando il decespugliatore viene rimosso mediante il dispositivo di sgancio rapido, il gancio rimane fissato al punto di ancoraggio imbracatura. Dopo avere utilizzato la fibbia a sgancio rapido fissare il gancio alla cintura lombare.

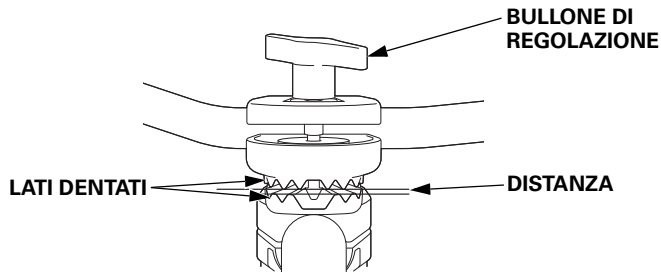


## RIPIEGAMENTO DEL MANUBRIO (SOLO TIPI UEET, XEET)

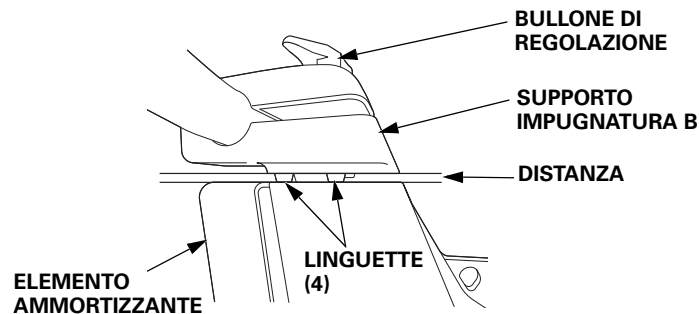
Per riporre e trasportare più agevolmente il decespugliatore, è possibile ripiegare il manubrio.

1. Allentare il bullone di regolazione di 6 o 7 giri.
2. (Tipo UEET) Accertarsi che tra i lati dentati vi sia una distanza adeguata.  
(Tipo XEET) Accertarsi che le linguette sul supporto impugnatura B non siano inserite nei fori dell'elemento ammortizzante.

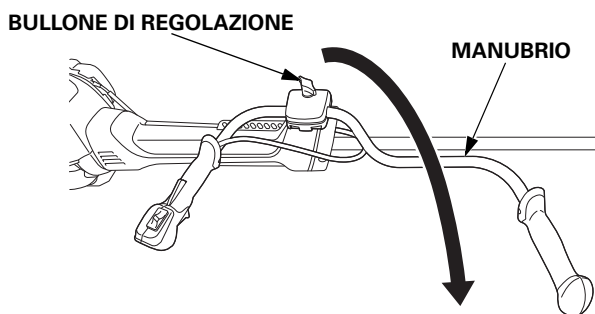
### Tipo UEET



### Tipo XEET



3. Ruotare il supporto impugnatura di 90 gradi e ripiegare il manubrio verso sinistra o verso destra. Evitare di ripiegare il manubrio di un angolo superiore a 90 gradi.

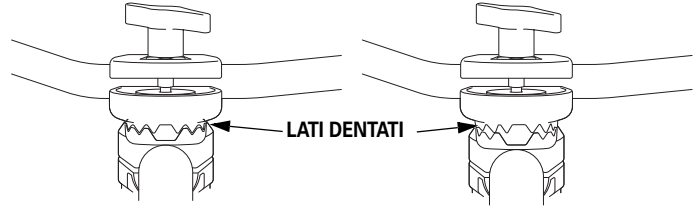


4. (Tipo UEET) Posizionare correttamente i lati dentati e serrare il bullone di regolazione.  
(Tipo XEET) Serrare il bullone di regolazione. Si noti che la distanza tra il supporto impugnatura B e l'elemento ammortizzante viene mantenuta anche dopo avere serrato il bullone di regolazione.

### Solo tipo UEET:

OK (lati dentati posizionati in modo corretto)

NON OK (lati dentati posizionati in modo errato)



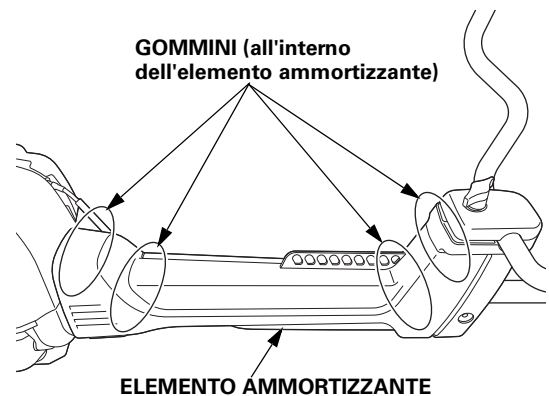
### NOTA:

Quando si serra il bullone di regolazione, accertarsi che i lati dentati siano posizionati correttamente. Se i lati dentati sono posizionati in modo errato, il bullone di regolazione potrebbe rompersi durante il serraggio.

### SISTEMA ANTIVIBRAZIONI (SOLO TIPO XEET)

Il sistema antivibrazioni riduce le vibrazioni dell'impugnatura grazie all'elemento ammortizzante. L'elemento ammortizzante è dotato di gommini posizionati in corrispondenza del supporto impugnatura e dell'alloggiamento della frizione.

Se l'impugnatura vibra in modo eccessivo, contattare il proprio concessionario.



## VERIFICHE PRIMA DELL'USO

Per un taglio sicuro ed efficiente, effettuare sempre le necessarie verifiche prima dell'uso.

### ▲AVVERTENZA

- Ogni parte della macchina è una potenziale fonte di pericolo se la macchina viene utilizzata in condizioni anomale o se la manutenzione non viene eseguita in modo corretto.
- Effettuare le verifiche prima dell'uso su una superficie piana e salda, con l'attrezzo di taglio fermo e l'interruttore motore in posizione OFF (spento).

Prima dell'uso, controllare se il motore presenta segni di perdite di olio o di benzina.

## PULIRE LA PROTEZIONE DELL'ATTREZZO DI TAGLIO

Prima dell'uso, eliminare eventuali detriti, fili d'erba o altri corpi estranei dalla protezione dell'attrezzo di taglio.

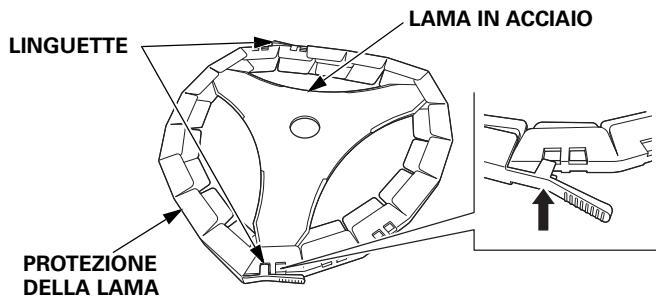
## MONTAGGIO DELLA PROTEZIONE DELLA LAMA

**Lama in acciaio (a 3 denti) per i tipi UEET e LEET**

**Lama in acciaio (a 4 denti e sega circolare) per i tipi UEET, LEET e XEET**

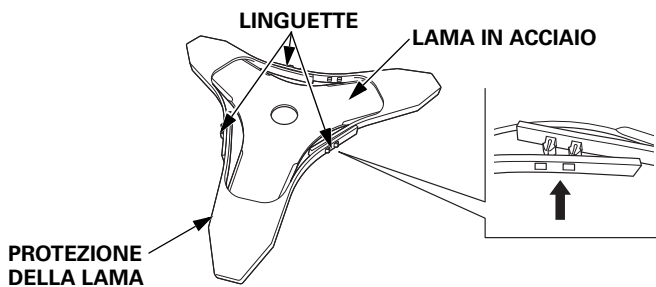
Staccare la linguetta e posizionare la protezione della lama sulle punte della lama in acciaio, in modo che siano completamente coperte dalla protezione della lama.

Fissare le linguette saldamente.



**Lama in acciaio (a 3 denti) per il tipo XEET**

Posizionare la protezione della lama sulle punte della lama in acciaio (a 3 denti). Accertarsi che le punte della lama in acciaio (a 3 denti) siano completamente coperte dalla protezione della lama. Fissare le linguette saldamente.



## CONTROLLARE L'OLIO MOTORE

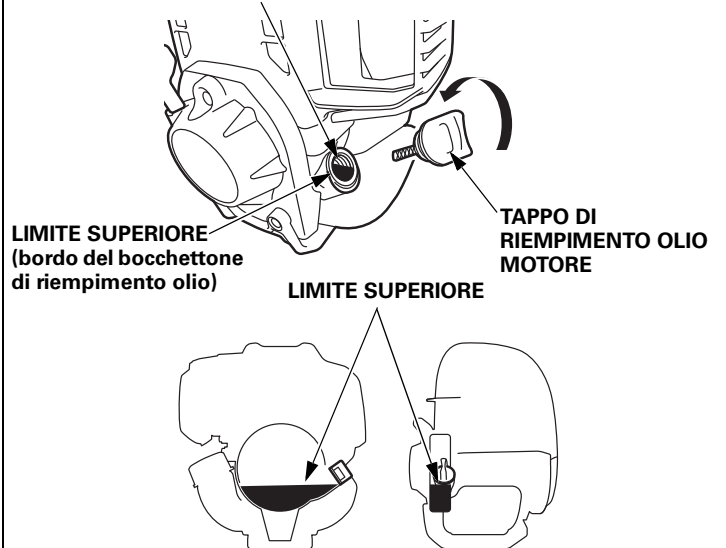
NOTA:

- Se il motore viene azionato con un livello dell'olio basso potrebbe subire gravi danni.
- L'uso di olio non detergente per motori a 2 tempi può compromettere la durata del motore.

1. Sistemare il decespugliatore su una superficie piana e rimuovere il tappo di riempimento dell'olio.
2. Controllare che il livello dell'olio raggiunga il bordo del bocchettone di riempimento olio; controllare inoltre che l'olio motore non sia contaminato o deteriorato.
3. Se il livello dell'olio è troppo basso, rabboccare con l'olio consigliato (vedere pagina 31) fino al limite superiore (bordo del bocchettone di riempimento olio). Se l'olio risulta contaminato o deteriorato è necessario sostituirlo (vedere pagina 31).
4. Riposizionare il tappo di riempimento dell'olio.

Dopo 10 ore di utilizzo, controllare il livello dell'olio motore; se il motore viene utilizzato per più di 10 ore consecutive, aggiungere olio fino al limite superiore del bocchettone di riempimento olio.

## BOCCHETTONE DI RIEMPIMENTO OLIO



Lavare le mani con acqua e sapone dopo avere maneggiato l'olio esausto.

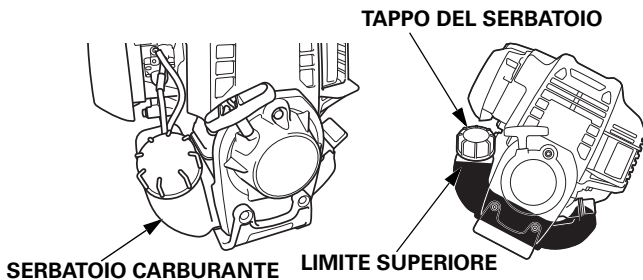
## CONTROLLARE IL LIVELLO DI CARBURANTE

Utilizzare benzina senza piombo E10, con un numero di ottano RON pari a 91 o superiore (numero di ottano PON pari a 86 o superiore). Specifiche carburante necessarie per mantenere le prestazioni del sistema di controllo delle emissioni: benzina E10 come da regolamento UE. Non utilizzare mai benzina vecchia, contaminata o mescolata con olio. Evitare di gettare sporcizia o acqua nel serbatoio del carburante.

### ▲AVVERTENZA

- **La benzina è altamente infiammabile e, in alcuni casi, esplosiva.**
- **Effettuare il rifornimento in un luogo ben ventilato e a motore spento. Non fumare e non avvicinare fiamme o scintille al punto in cui si effettua il rifornimento o nel luogo di stoccaggio della benzina.**
- **Non riempire eccessivamente il serbatoio carburante (il bocchettone di riempimento non deve contenere benzina). Terminato il rifornimento, accertarsi che il tappo del serbatoio sia ben chiuso.**
- **Prestare attenzione a non versare benzina durante il rifornimento. Gli schizzi e i vapori di benzina potrebbero infiammarsi. In caso di versamento accidentale di benzina, accertarsi che l'area sia asciutta prima di avviare il motore.**
- **Evitare il contatto ripetuto o prolungato della benzina con la pelle e non inalare i vapori.**
- **TENERE LONTANO DALLA PORTATA DEI BAMBINI.**

1. Controllare visivamente il livello del carburante dall'esterno del serbatoio mantenendo il bocchettone di riempimento carburante in posizione verticale.



2. Se il livello di carburante è troppo basso, riempire il serbatoio fino al livello specificato. Rimuovere il tappo del serbatoio gradualmente per immettere aria compressa nel serbatoio. Se il tappo viene rimosso troppo velocemente la benzina potrebbe schizzare fuori dal serbatoio. Prima di effettuare il rifornimento, sistemare il motore su una superficie piana. Utilizzare un imbuto e un tubo flessibile per effettuare il rifornimento. Rimuovere la sporcizia dal tappo del serbatoio per evitare di sporcare il serbatoio carburante. Capacità del serbatoio carburante: 630 cm<sup>3</sup> (0,63 L)

3. Terminato il rifornimento, chiudere saldamente il tappo del serbatoio carburante.

### NOTA:

La benzina si deteriora molto velocemente a seconda di fattori quali esposizione alla luce, temperatura e durata di conservazione. Nel peggiore dei casi, la benzina può venire contaminata entro 30 giorni. L'uso di benzina contaminata può arrecare gravi danni al motore (carburatore ostruito, valvola bloccata).

I danni causati dall'uso di benzina deteriorata non sono coperti dalla garanzia.

Per evitare tale situazione, attenersi rigorosamente alle seguenti prescrizioni:

- Utilizzare solo la benzina consigliata.
- Utilizzare benzina fresca e pulita.
- Per rallentare il deterioramento, conservare la benzina in un recipiente per carburante omologato.
- In caso di rimessaggio per un periodo prolungato (più di 30 giorni), svuotare il serbatoio del carburante e il carburatore (vedere pagina 33).

Non è consigliabile utilizzare carburanti sostitutivi della benzina, poiché potrebbero danneggiare i componenti dell'impianto di alimentazione.

## Benzina contenente alcol

Se si desidera utilizzare benzina contenente alcol, accertarsi che il suo numero di ottano sia almeno uguale a quello consigliato da Honda. Esistono due tipi di benzine addizionate di alcol: una contenente alcol etilico e l'altra contenente alcol metilico. Non utilizzare benzina con un contenuto di alcol etilico superiore al 10% (E10).

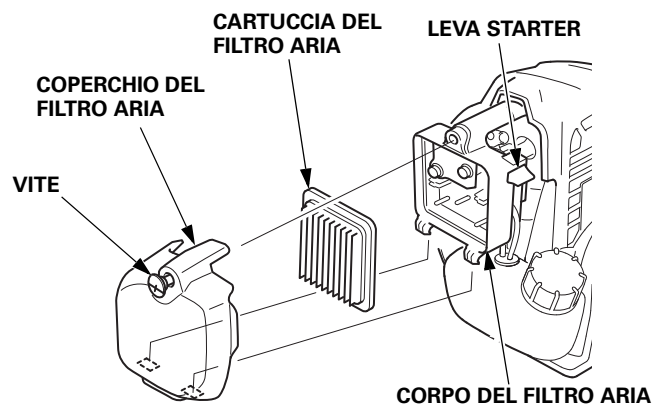
Non utilizzare benzina contenente alcol metilico (metile o alcol di legno) sprovvista di solventi o inibitori di corrosione per alcol metilico.

### NOTA:

- La garanzia non copre i danni causati all'impianto di alimentazione e i problemi relativi alle prestazioni del motore derivanti dall'impiego di benzina contenente una quantità di alcol superiore a quella consigliata.
- Prima di acquistare benzina presso un distributore non familiare, determinare se la benzina contiene alcol. In caso affermativo, individuare il tipo e la percentuale di alcol utilizzato. Qualora si riscontrino sintomi indesiderati durante l'uso del prodotto con un tipo di benzina particolare, cambiare carburante optando per una benzina contenente una percentuale di alcol inferiore a quella consigliata.

## CONTROLLARE IL FILTRO DELL'ARIA

1. Spostare la leva dello starter in posizione CHIUSA (verso l'alto).
2. Allentare la vite e rimuovere il coperchio del filtro aria dal corpo del filtro.
3. Controllare che la cartuccia del filtro aria non sia sporca o ostruita. Pulire la cartuccia del filtro aria se è sporca (vedere pagina 31). Sostituire la cartuccia del filtro aria se è eccessivamente sporca.
4. Riposizionare la cartuccia del filtro aria.
5. Riposizionare il coperchio del filtro aria e serrare a fondo la vite.



### NOTA:

Non azionare il motore senza il filtro dell'aria, onde evitare il rapido deterioramento del motore.



## CONTROLLARE IL FUNZIONAMENTO DELLA LEVA DI COMANDO ACCELERATORE

Verificare che la leva di comando acceleratore funzioni in modo corretto e che torni sempre in posizione di folle.

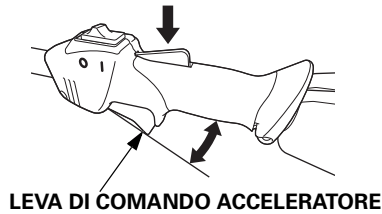
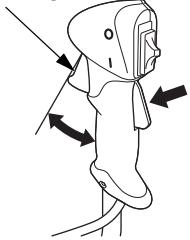
Se non funziona correttamente, controllare e regolare il gioco del cavo acceleratore. Rivolgersi al proprio concessionario per assistenza.

Se la leva di comando acceleratore non torna in posizione di folle, non utilizzare il decespugliatore. Contattare il proprio concessionario.

Tipi UEET, XEET

Tipo LEET

LEVA DI COMANDO ACCELERATORE



## CONTROLLARE LA PROTEZIONE ATTREZZO DI TAGLIO / SMONTARE E MONTARE IL PEZZO INFERIORE DELLA PROTEZIONE ATTREZZO DI TAGLIO

### ⚠ AVVERTENZA

- Non utilizzare il decespugliatore senza la protezione dell'attrezzo di taglio. Pietre o altri corpi estranei scagliati dall'attrezzo di taglio o il contatto con l'attrezzo di taglio rotante possono causare lesioni personali o danni alle cose.

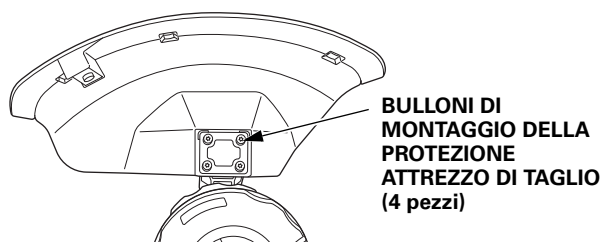
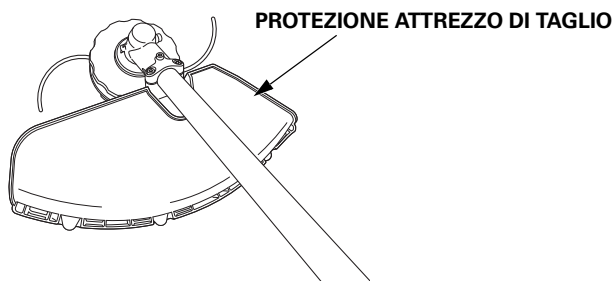
### ATTENZIONE:

- Prima di intervenire sull'attrezzo di taglio, indossare guanti spessi per proteggere le mani.
- Per evitare lesioni personali, prima di intervenire sulla lama in acciaio, posizionare la protezione della lama.

Per posizionare la protezione della lama, vedere pagina 14.

### Controllare la protezione dell'attrezzo di taglio

1. Arrestare il motore posizionando l'interruttore su OFF (spento).
2. Controllare la protezione attrezzo di taglio per accertarsi che sia montata correttamente e che non sia danneggiata. Se la protezione attrezzo di taglio è danneggiata, sostituirla prima di utilizzare il decespugliatore.
3. Controllare che i bulloni di montaggio della protezione attrezzo di taglio non siano allentati. Se è necessario, serrare a fondo i bulloni.
4. Regolare la posizione e l'orientamento della protezione attrezzo di taglio come mostrato nella figura sottostante.



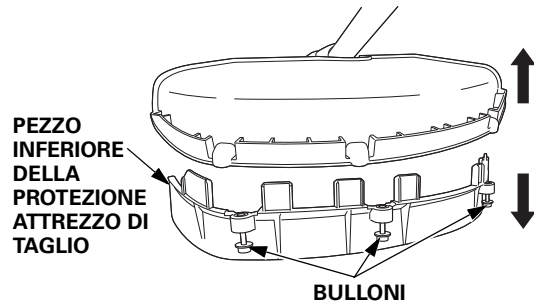
BULLONI DI MONTAGGIO DELLA PROTEZIONE ATTREZZO DI TAGLIO (4 pezzi)

## Smontaggio e montaggio del pezzo inferiore della protezione dell'attrezzo di taglio

Quando si utilizza il decespugliatore con la lama in acciaio (a 3 denti o a 4 denti), smontare il pezzo inferiore della protezione attrezzo di taglio.

Se si utilizza il decespugliatore con la lama flessibile, montare il pezzo inferiore della protezione attrezzo di taglio.

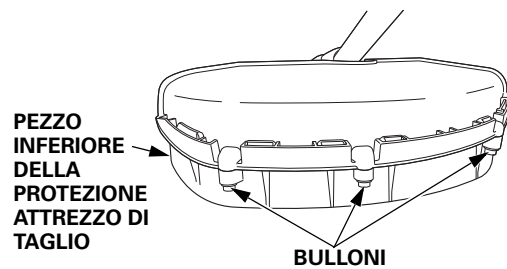
Smontaggio (per l'uso della lama in acciaio a 3 denti o a 4 denti): Rimuovere tre bulloni, quindi smontare il pezzo inferiore della protezione attrezzo di taglio.



Montaggio (per l'uso della lama flessibile):

Posizionare i due pezzi della protezione attrezzo di taglio e fissarli.

Inserire tre bulloni e serrarli a fondo.





## CONTROLLARE LA SCATOLA DI TRASMISSIONE

### ⚠ AVVERTENZA

- Per evitare lesioni personali gravi, accertarsi che l'interruttore del motore sia in posizione OFF (spento), onde impedirne l'avviamento accidentale.
- Per ragioni di sicurezza, prima di avviare il motore controllare che la scatola di trasmissione non presenti danni o segni di usura.

### ATTENZIONE:

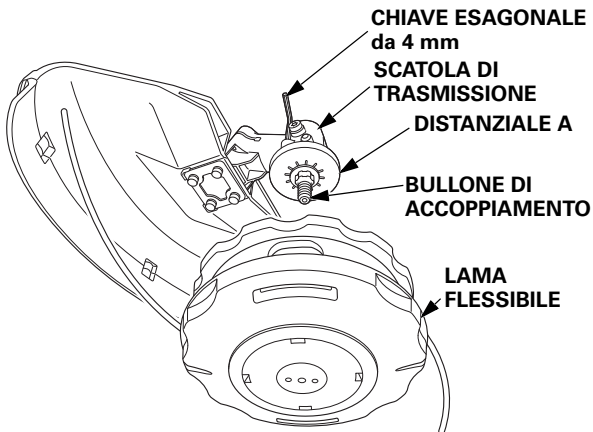
- Prima di intervenire sull'attrezzo di taglio, indossare guanti spessi per proteggere le mani.
- Per evitare lesioni personali, prima di intervenire sulla lama in acciaio, posizionare la protezione della lama.

Per posizionare la protezione della lama, vedere pagina 14.

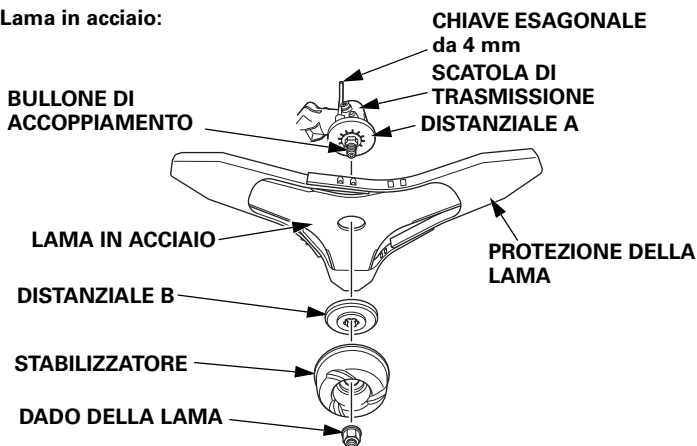
### Controllare la scatola di trasmissione

1. Arrestare il motore posizionando l'interruttore su OFF (spento).
2. Accertarsi che non vi siano erba o fili aggrovigliati tra il distanziale A e l'attrezzo di taglio. In caso contrario, rimuoverli.
3. Dopo avere rimosso l'erba e i fili, verificare che non sia presente materiale contaminato, ad esempio fango o sporcizia, tra la scatola di trasmissione e il distanziale A. In caso contrario, smontare l'attrezzo di taglio (vedere pagina 28) e pulire la scatola di trasmissione. Contestualmente alla pulizia, eseguire la procedura descritta nella sezione "Controllare il bullone di accoppiamento".

#### Lama flessibile:



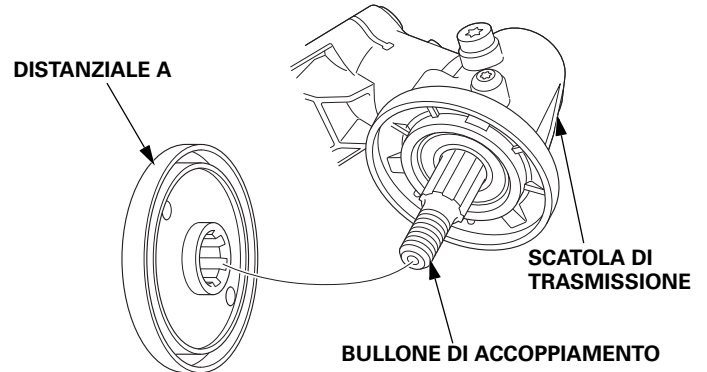
#### Lama in acciaio:



## Pulire la scatola di trasmissione

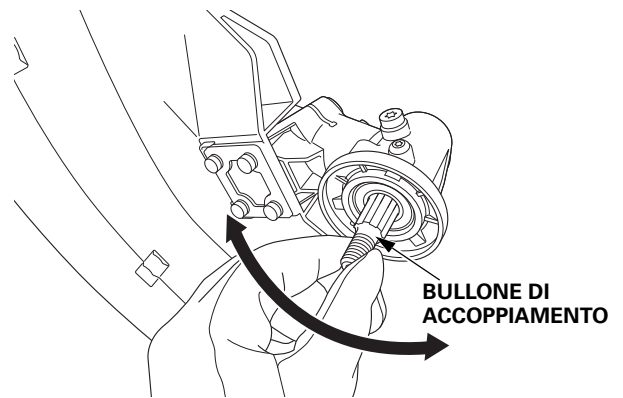
Se si riscontra la presenza di materiale contaminato, ad esempio erba, fili, fango o sporcizia, tra la scatola di trasmissione e il distanziale A, rimuovere tale materiale attenendosi alla procedura seguente.

1. Arrestare il motore posizionando l'interruttore su OFF (spento).
2. Smontare l'attrezzo di taglio (vedere pagina 28).
3. Rimuovere il distanziale A.
4. Eliminare erba, fili, fango e sporcizia accumulatisi intorno al distanziale A e al bullone di accoppiamento.



### Controllare il bullone di accoppiamento

Afferrare il bullone di accoppiamento, quindi muoverlo verso sinistra e verso destra per verificare che non sia allentato. Se risulta allentato, è necessario sostituire la scatola di trasmissione. Contattare il proprio concessionario per la sostituzione.



Dopo avere eseguito la pulizia della scatola di trasmissione e il controllo del bullone di accoppiamento, inserire il distanziale A prima di montare l'attrezzo di taglio. Per montare l'attrezzo di taglio, vedere pagina 28.

## CONTROLLARE L'ATTREZZO DI TAGLIO

### ▲AVVERTENZA

- Per evitare lesioni personali gravi, accertarsi che l'interruttore del motore sia in posizione OFF (spento), onde impedirne l'avviamento accidentale.
- Per ragioni di sicurezza, prima di avviare il motore verificare che l'attrezzo di taglio non presenti danni o segni di usura e controllare che sia fissato correttamente. L'utilizzo del decespugliatore con un attrezzo di taglio usurato, incrinato o danneggiato può provocare lesioni personali o danni al decespugliatore. Un attrezzo di taglio usurato, incrinato o danneggiato può rompersi e i pezzi risultanti possono colpire l'operatore o altre persone presenti nelle vicinanze, causandone la morte o arrecando gravi lesioni.

### ATTENZIONE:

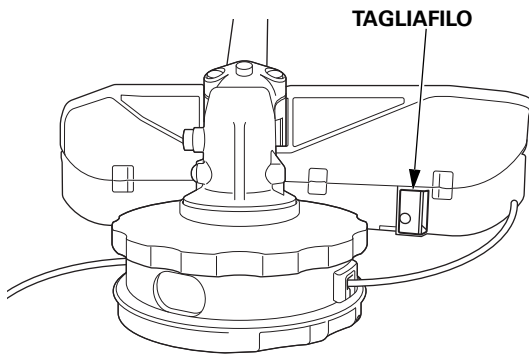
- Prima di intervenire sull'attrezzo di taglio, indossare guanti spessi per proteggere le mani.
- Per evitare lesioni personali, prima di intervenire sulla lama in acciaio, posizionare la protezione della lama.

Per posizionare la protezione della lama, vedere pagina 14.

Per scegliere l'attrezzo di taglio appropriato, vedere "Usi dell'attrezzo di taglio" a pagina 24.

### Lama flessibile

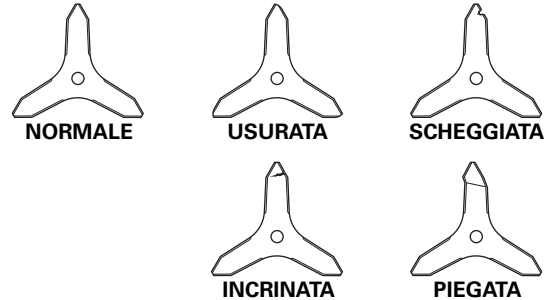
1. Arrestare il motore posizionando l'interruttore su OFF (spento).
2. Verificare che la lama flessibile non sia allentata. Se risulta allentata, serrare la lama flessibile saldamente (vedere pagina 28).
3. Controllare l'integrità del filo di nylon. Qualora sia danneggiato, fare avanzare il filo di nylon attenendosi alle procedure indicate. Per fare avanzare il filo di nylon, vedere pagina 25. Prima di inserire il filo di nylon, controllare che il tagliafilo sia privo di polvere, sporcizia o altri corpi estranei. Se è necessario, pulire il tagliafilo.



### Lama in acciaio

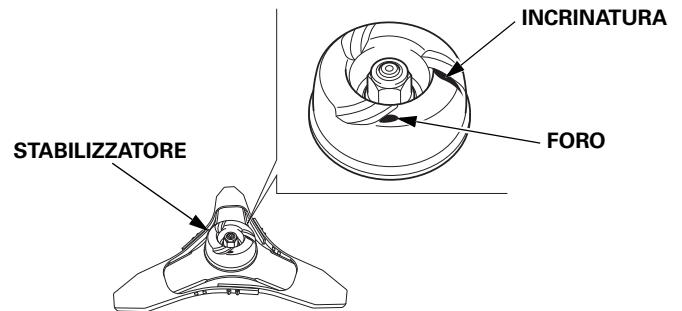
1. Arrestare il motore posizionando l'interruttore su OFF (spento).
2. Controllare il serraggio del dado della lama. Se risulta allentato, serrare il dado (vedere pagina 10).
3. Controllare che la lama in acciaio non presenti segni di usura, piegature, incrinature o altri danni. Se la lama in acciaio è usurata, incrinata, scheggiata o altrimenti danneggiata, sostituirla con una nuova lama in acciaio originale Honda o una lama equivalente.

Se la lama in acciaio è smussata è possibile affilarla. Se non si è in grado di eseguire tale operazione, rivolgersi al proprio concessionario.



### CONTROLLARE LO STABILIZZATORE (PER LAMA IN ACCIAIO)

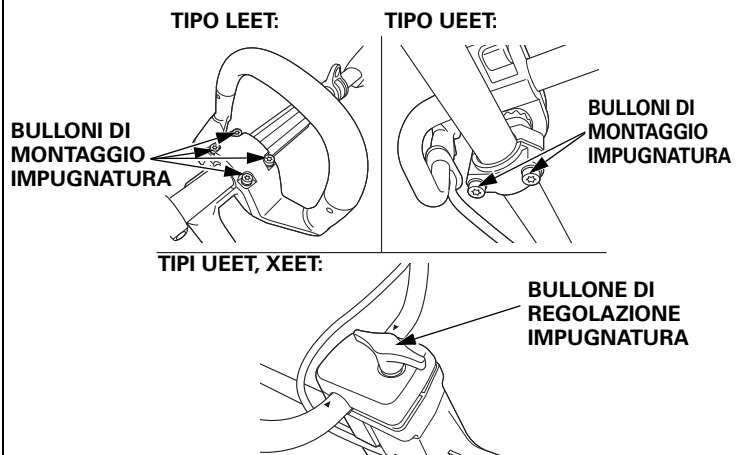
Controllare che lo stabilizzatore non sia usurato. Se lo stabilizzatore presenta incrinature o fori è necessario sostituirlo. Contattare il proprio concessionario per la sostituzione.



### CONTROLLARE I BULLONI E I DADI

Prima di ogni utilizzo, verificare che i bulloni e i dadi siano serrati. Se i bulloni o i dadi risultano allentati, serrarli nuovamente.

1. Controllare che tutti i bulloni e tutti i dadi presenti sul motore e sul telaio siano serrati correttamente. Se è necessario serrarli a fondo.
2. Controllare che le viti e i bulloni di montaggio presenti sull'impugnatura non siano allentati e, se necessario, serrarli a fondo.



## BILANCIAMENTO DEL DECESPUGLIATORE

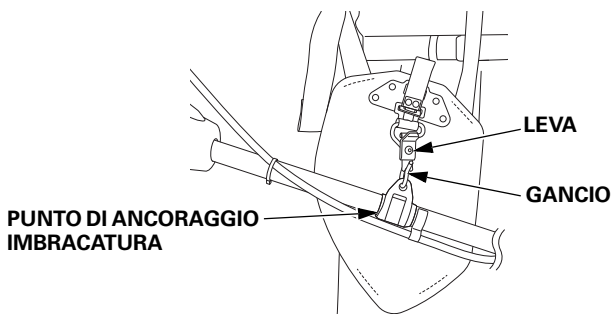
### ⚠ AVVERTENZA

- Indossare sempre l'imbracatura doppia prima di utilizzare il decespugliatore. In caso contrario, l'instabilità del decespugliatore potrebbe causare lesioni.
- Per la sicurezza e il comfort di utilizzo, è importante regolare le bretelle dell'imbracatura in modo da non sentirsi impacciati e consentire il corretto bilanciamento della macchina in posizione operativa.

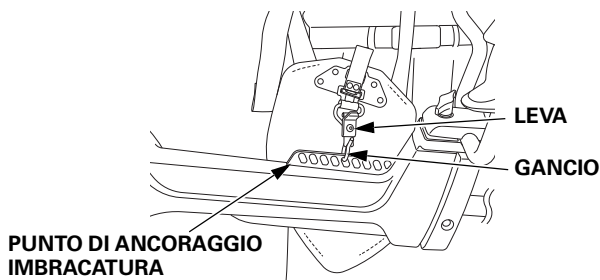
### Controllare l'imbracatura doppia

1. Indossare l'imbracatura doppia (vedere pagina 20).
2. Fissare il gancio al punto di ancoraggio imbracatura (vedere pagina 12).
3. Controllare che il gancio sia fissato saldamente al punto di ancoraggio imbracatura.
4. Verificare che il decespugliatore sia bilanciato e posizionato nel modo seguente.

### Tipi UEET, LEET



### Tipo XEET



### Bilanciamento corretto

1. Regolare l'imbracatura doppia in modo che il punto di ancoraggio imbracatura sia posizionato all'altezza dell'anca destra (vedere pagina 20).
2. Tenere il decespugliatore in modo che l'attrezzo di taglio sia parallelo al suolo, afferrando l'impugnatura con entrambe le mani.
3. Regolare la lunghezza dell'imbracatura doppia (pagina 20), la posizione dell'impugnatura o l'inclinazione del manubrio (pagina 19) in modo che l'attrezzo di taglio risulti parallelo al suolo e rimanga al di sopra del terreno mantenendo la distanza adeguata.



### ⚠ AVVERTENZA

Non utilizzare il decespugliatore se l'attrezzo di taglio si trova vicino ai propri piedi. I piedi possono riportare lesioni se vengono sfiorati dall'attrezzo di taglio.

## REGOLAZIONE DELL'IMPUGNATURA

### Regolare la posizione del supporto impugnatura (solo tipi UEET, LEET)

#### Tipo UEET

È possibile spostare il supporto impugnatura in avanti o indietro. Per regolare la posizione del supporto impugnatura, vedere pagina 8. Per ragioni di sicurezza, il manubrio e il supporto impugnatura non devono essere montati oltre il collare di sicurezza.

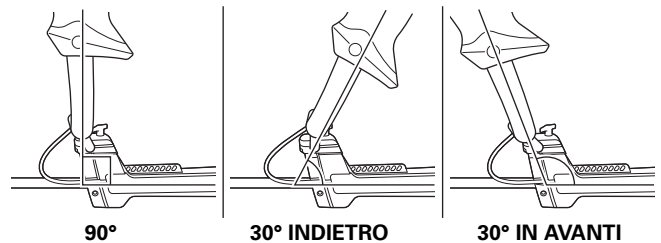
#### Tipo LEET

È possibile spostare l'impugnatura ad anello in avanti o indietro. Fare riferimento a pagina 8. Per ragioni di sicurezza, l'impugnatura ad anello non deve essere montata oltre il collare di sicurezza.

### Regolare l'inclinazione del manubrio (solo tipi UEET, XEET)

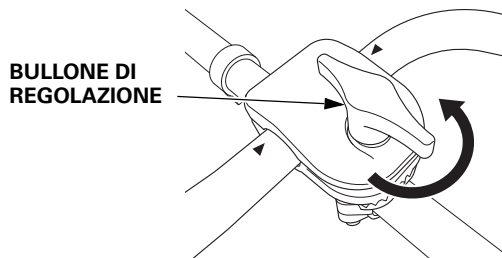
L'inclinazione normale è di 90 gradi.

È possibile inclinare il manubrio in avanti o indietro di 30 gradi al massimo rispetto all'inclinazione normale.



#### Tipo UEET

Per regolare l'inclinazione del manubrio, allentare leggermente il bullone di regolazione e inclinare il manubrio. Serrare a fondo il bullone di regolazione.



#### Tipo XEET

Per regolare l'inclinazione del manubrio, allentare leggermente il bullone di regolazione e inclinare il manubrio. Premere leggermente il supporto impugnatura A e serrare a fondo il bullone di regolazione.



Dopo avere regolato la posizione dell'impugnatura o l'inclinazione del manubrio, accertarsi che il cavo acceleratore non sia troppo teso. Verificare inoltre che la leva di comando acceleratore funzioni correttamente.

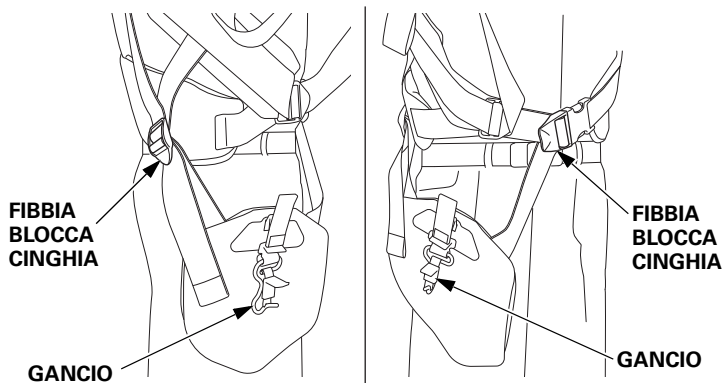
## REGOLAZIONE DELL'IMBRACATURA DOPPIA

Tutte le regolazioni dell'imbracatura possono essere eseguite allungando o accorciando le cinghie regolabili mediante le fibbie blocca cinghia.

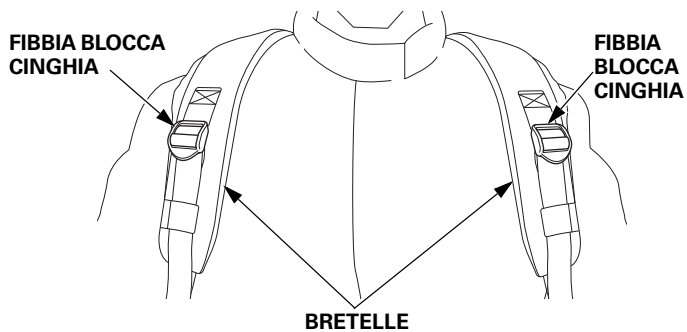
### Punti di regolazione

- La posizione del gancio può essere regolata mediante le fibbie blocca cinghia poste sulla cintura lombare.
- La lunghezza delle bretelle e la posizione della cintura lombare possono essere regolate mediante le fibbie blocca cinghia poste sulle bretelle.
- La vestibilità della cintura lombare può essere regolata mediante la fibbia blocca cinghia posta sul lato destro.

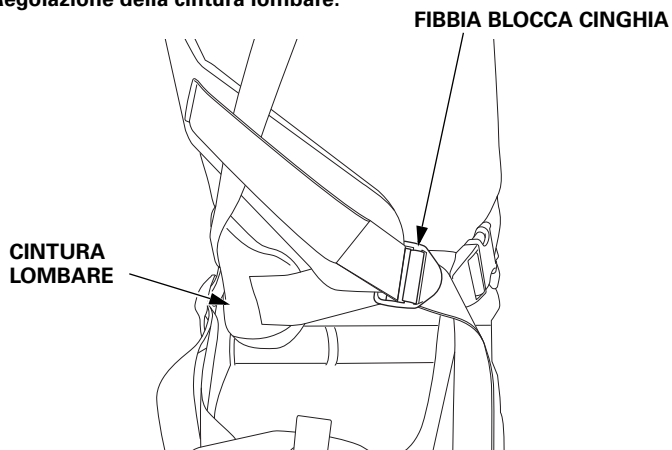
### Posizione del gancio:



### Lunghezza delle bretelle:

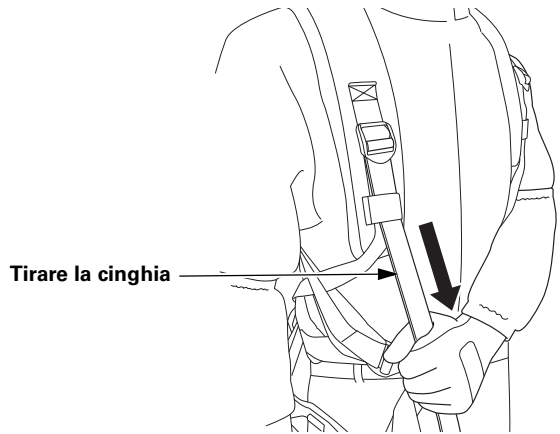


### Regolazione della cintura lombare:

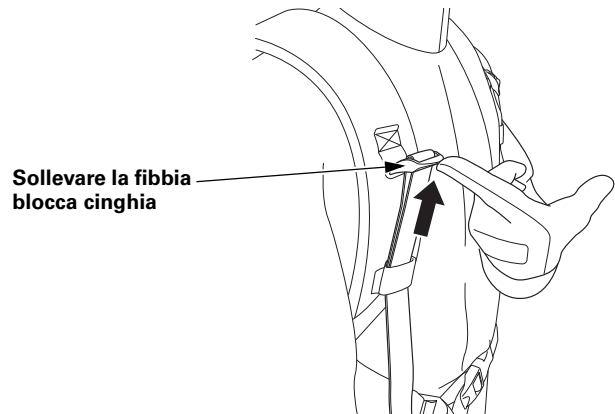


## Fibbia blocca cinghia

### Per accorciare la cinghia regolabile



### Per allungare la cinghia regolabile

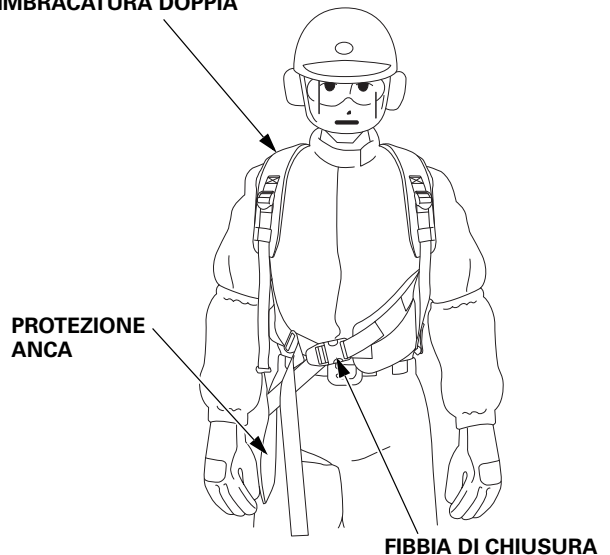


Tutte le fibbie blocca cinghia possono essere utilizzate allo stesso modo.

## Indossare l'imbracatura doppia

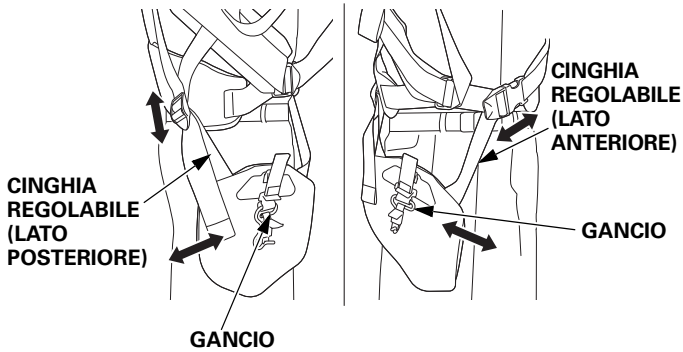
Indossare l'imbracatura doppia in modo che la protezione dell'anca sia posizionata sul lato destro del corpo. Accertarsi che l'imbracatura non si torca. Fissare saldamente l'imbracatura doppia nella parte anteriore del corpo, fino a udire uno scatto. Per aprire l'imbracatura doppia, premere la fibbia e tirare l'imbracatura verso destra e verso sinistra.

### IMBRACATURA DOPPIA



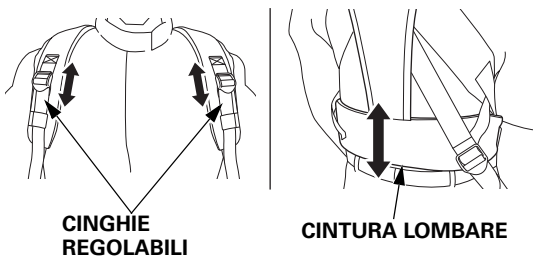
### Regolare la posizione del gancio

- Per alzare la posizione del gancio, accorciare sia la cinghia anteriore che la cinghia posteriore.
- Per abbassare la posizione del gancio, allungare sia la cinghia anteriore che la cinghia posteriore.
- Quando le cinghie vengono regolate secondo direzioni opposte, il gancio si sposta nella direzione usata per tirare. Ad esempio, se la cinghia anteriore viene accorciata e la cinghia posteriore viene allungata, il gancio si sposta in avanti.



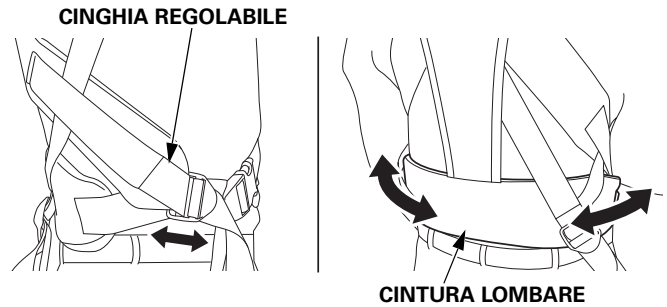
### Regolare la posizione delle bretelle e della cintura lombare

- Accorciare o allungare le cinghie regolabili in modo che la cintura lombare si adatti perfettamente alla vita.
- Per alzare la cintura lombare, accorciare le cinghie regolabili.
- Per abbassare la cintura lombare, allungare le cinghie regolabili.
- Per regolare il peso a carico delle spalle e della schiena, spostare le cinghie verso sinistra o verso destra.
- Per aumentare il peso a carico delle spalle e della schiena, accorciare le cinghie regolabili.
- Per aumentare il peso a carico della vita, allungare le cinghie regolabili.



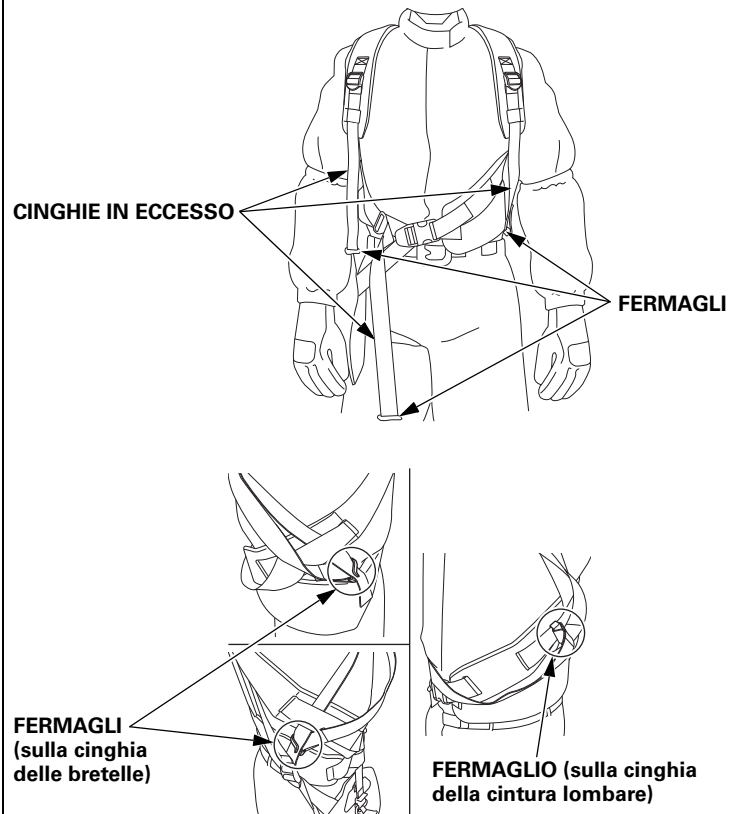
### Regolare la vestibilità della cintura lombare

- Per rendere la cintura lombare più aderente, accorciare la cinghia regolabile. Questa regolazione è adatta per i lavori pesanti, poiché favorisce la dispersione del peso del decespugliatore e della forza reattiva.
- Per aumentare la gamma di movimento oscillatorio del decespugliatore, allungare la cinghia regolabile. Questa regolazione è adatta per mansioni più leggere, che richiedono movimenti reattivi e flessibili, ad esempio il lavoro svolto su un terreno pianeggiante.



### Fissare le cinghie in eccesso

Dopo avere regolato l'imbracatura, fissare le cinghie in eccesso mediante gli appositi fermagli.



Non fissare i fermagli nei modi seguenti.

- Fissare il fermaglio sinistro alla bretella destra e viceversa.
- Fissare il fermaglio in un punto al di fuori dell'imbracatura doppia.

Se i fermagli vengono fissati nei modi sopra descritti, potrebbe risultare impossibile rimuovere l'imbracatura doppia anche sbloccando la fibbia di chiusura.

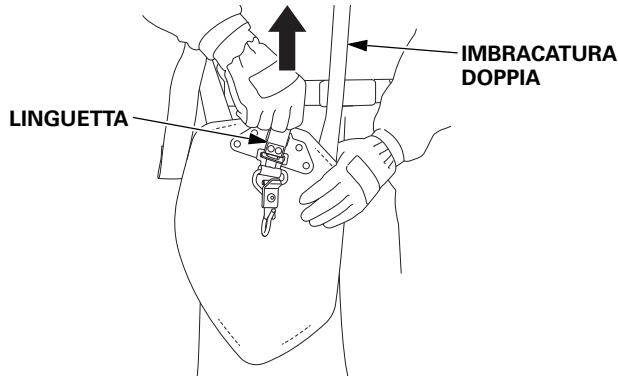


## CONTROLLARE IL DISPOSITIVO DI SGANCIO RAPIDO

### NOTA:

- Quando si agisce sul dispositivo di sgancio rapido per sganciare il decespugliatore, questo potrebbe cadere. Quando si verifica il funzionamento del dispositivo di sgancio rapido, non fissare il decespugliatore al gancio posto sulla cintura lombare, per impedire al decespugliatore di cadere con conseguenti danni.

1. Indossare l'imbracatura doppia.
2. Controllare che la fibbia di chiusura si sblocchi non appena la linguetta del dispositivo di sgancio rapido viene tirata verso l'alto, mentre si tiene la protezione dell'anca con la mano sinistra.
3. Inserire la linguetta nella fessura del dispositivo di sgancio rapido.



Se la fibbia di chiusura non si sblocca, richiedere al proprio concessionario di eseguire il controllo e la riparazione dell'apparecchio.

## CONTROLLARE IL MINIMO DEL MOTORE E LA FRIZIONE

Questo controllo è necessario per avviare il motore. Per avviare il motore, vedere pagina 23.

### ▲ AVVERTENZA

- Il gas di scarico del motore contiene monossido di carbonio, una sostanza altamente tossica. Non azionare mai il motore in un ambiente chiuso. Garantire una ventilazione adeguata.
- Quando si avvia il motore, accertarsi che eventuali persone e animali, nonché gli edifici circostanti, si trovino a una distanza di sicurezza di almeno 15 metri. Accertarsi che l'area operativa sia priva di ostacoli.

### ATTENZIONE:

Non avviare il motore se l'attrezzo di taglio è a contatto con il terreno o è ostruito. Il decespugliatore potrebbe compiere un movimento inaspettato, provocando lesioni alle gambe e così via.

### Controllare il minimo del motore

Avviare il motore (vedere pagina 23) e controllare che il regime del minimo sia normale.

Se il regime del minimo è troppo alto o troppo basso, non utilizzare il decespugliatore. Sottoporre il decespugliatore al controllo del proprio concessionario.

### Controllare la frizione

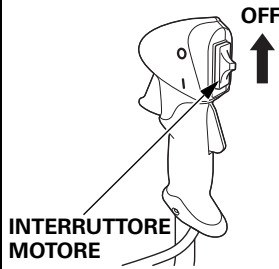
Controllare che l'attrezzo di taglio smetta di ruotare quando la leva di comando dell'acceleratore viene rilasciata.

Quando il motore è al minimo, l'attrezzo di taglio non dovrebbe ruotare. Se l'attrezzo di taglio ruota quando il motore è al minimo, regolare il regime del minimo prima di utilizzare il decespugliatore. Sottoporre il decespugliatore al controllo del proprio concessionario.

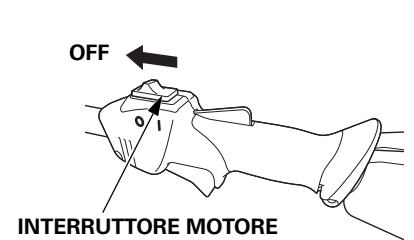
## CONTROLLARE L'INTERRUTTORE MOTORE

Controllare che il motore si arresti quando l'interruttore del motore viene portato in posizione OFF (spento).

### Tipi UEET, XEET



### Tipo LEET



### ATTENZIONE:

- Quando si arresta il motore, l'attrezzo di taglio continua a ruotare brevemente per inerzia.
- Prima di posare il decespugliatore a terra, accertarsi che il motore sia spento e che l'attrezzo di taglio sia completamente fermo.



## AVVIAMENTO DEL MOTORE

### ⚠ AVVERTENZA

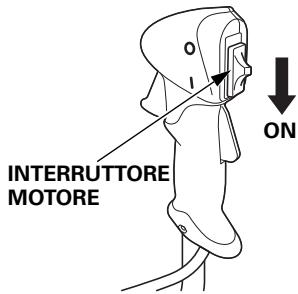
- Il gas di scarico del motore contiene monossido di carbonio, una sostanza altamente tossica. Non azionare mai il motore in un ambiente chiuso. Garantire una ventilazione adeguata.
- Quando si avvia il motore, accertarsi che eventuali persone e animali, nonché gli edifici circostanti, si trovino a una distanza di sicurezza di almeno 15 metri. Accertarsi che l'area operativa sia priva di ostacoli.

### ATTENZIONE:

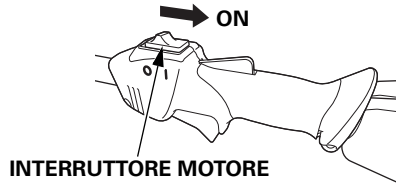
- Non avviare il motore se l'attrezzo di taglio è a contatto con il terreno o è ostruito. Il decespugliatore potrebbe compiere un movimento inaspettato, provocando lesioni alle gambe e così via.
- Indossare indumenti e dispositivi di protezione (vedere pagina 2).

1. Portare l'interruttore del motore in posizione ON (acceso).

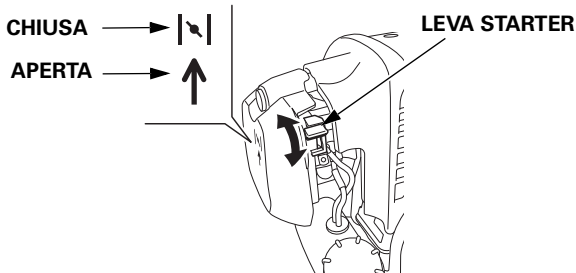
Tipi UEET, XEET



Tipo LEET

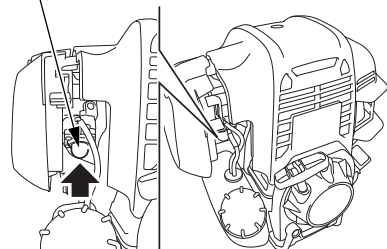


2. Per avviare un motore a freddo, spostare la leva dello starter in posizione CHIUSA. Per riavviare il motore quando è ancora caldo, lasciare la leva dello starter in posizione APERTA.



3. Premere più volte il bulbo di adescamento finché non è pieno di carburante. Qualora il bulbo di adescamento venga premuto troppe volte, il carburante in eccesso ritorna nel serbatoio del carburante. Se il bulbo di adescamento non viene premuto a sufficienza, il motore potrebbe non avviarsi.

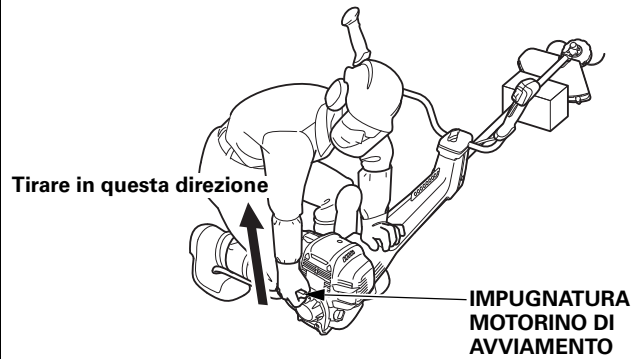
BULBO DI ADESCAMENTO



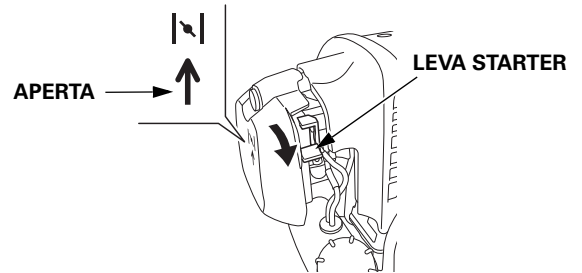
4. Tenendo fermo l'albero di trasmissione con la mano e con il piede, tirare lentamente l'impugnatura del motorino di avviamento fino ad incontrare resistenza, quindi tirare di scatto verso la direzione indicata dalla freccia, come mostrato nella figura sottostante. Rilasciare l'impugnatura del motorino di avviamento delicatamente.

### NOTA:

- Non lasciare che l'impugnatura del motorino di avviamento ritorni di scatto verso il motore. Riportarla in posizione con cautela per evitare di danneggiare il motorino di avviamento.
- Per evitare danni, non tirare l'impugnatura del motorino di avviamento quando il motore è in funzione.



5. Se la leva dello starter è stata portata in posizione CHIUSA per avviare il motore, spostarla gradualmente in posizione APERTA mentre il motore si riscalda.



## TAGLIO

Prima di utilizzare il decespugliatore, leggere accuratamente le norme di sicurezza alle pagine 2-4.

Qualora si riscontrino rumori, odori, vibrazioni anomali o altri sintomi insoliti, arrestare subito il motore e rivolgersi al proprio concessionario.




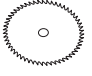
Spegnere il motore per regolare la lunghezza dell'imbracatura doppia.

### ▲ AVVERTENZA

- **Non utilizzare il decespugliatore se l'attrezzo di taglio si trova vicino ai propri piedi. I piedi possono riportare lesioni se vengono sfiorati dall'attrezzo di taglio.**
- **Indossare sempre l'imbracatura doppia prima di utilizzare il decespugliatore. In caso contrario, l'instabilità del decespugliatore potrebbe causare lesioni.**
- **Per ragioni di sicurezza, prima di avviare il motore verificare che l'attrezzo di taglio non presenti danni o segni di usura e controllare che sia fissato correttamente. L'uso del decespugliatore con un attrezzo di taglio usurato, incrinato o danneggiato può provocare lesioni personali o danni all'apparecchio. Un attrezzo di taglio usurato, incrinato o danneggiato può rompersi e i pezzi risultanti possono colpire l'operatore o altre persone presenti nelle vicinanze, causandone la morte o arrecando gravi lesioni.**
- **Indossare sempre l'imbracatura doppia prima di utilizzare il decespugliatore. In caso contrario, l'instabilità del decespugliatore potrebbe causare lesioni.**
- **Per la sicurezza e il comfort di utilizzo, è importante regolare le bretelle dell'imbracatura in modo da non sentirsi impacciati e consentire il corretto bilanciamento della macchina in posizione operativa.**

### USI DELL'ATTREZZO DI TAGLIO

Per un utilizzo efficiente, scegliere l'attrezzo di taglio adatto a seconda dell'altezza dell'erba e di altre condizioni del terreno.

Tipo di attrezzo di taglio		Condizioni idonee
	Lama flessibile	Taglio di erba bassa e pulizia
	Lama in acciaio (a 3 denti)	Decespugliamento di erba fitta e mista e di cespugli, quali rovi e arbusti selvatici, il cui stelo non superi i 20 mm di diametro
	Lama in acciaio (a 4 denti) (parte opzionale)	
	Lama in acciaio opzionale (sega circolare) (parte opzionale)	Taglio di cespugli, arbusti e alberelli il cui tronco non superi 60 mm di diametro

### INDOSSARE L'IMBRACATURA DOPPIA E AGGANCIARE IL DECESPUGLIATORE

#### NOTA:

Quando si utilizza il decespugliatore, riportare sempre il motore al minimo tra un'operazione e l'altra. Periodi prolungati di utilizzo a massimo regime senza carico (nessuna resistenza della vegetazione sull'attrezzo) possono provocare gravi danni al motore.

1. Indossare l'imbracatura doppia e regolarne la vestibilità (vedere pagina 20).
2. Avviare il motore (vedere pagina 23) e fissare il decespugliatore al gancio posto sull'imbracatura doppia (vedere pagina 12).
3. Accertarsi che il decespugliatore mantenga il bilanciamento corretto (vedere pagina 19).

## OPERAZIONI DI BASE

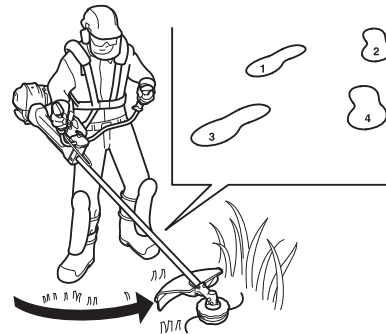
### Posizione corretta per l'esecuzione del taglio

- Tenere il decespugliatore nella posizione corretta (vedere pagina 19).
- Allentare la presa sull'impugnatura gradualmente. Non rilasciare ma afferrare delicatamente l'impugnatura con entrambe le mani e verificare che la distanza tra l'attrezzo di taglio e il suolo non cambi eccessivamente.
- Afferrare il decespugliatore saldamente con entrambe le mani, con le dita e i pollici intorno alle impugnature. In questo modo è possibile mantenere il pieno controllo sul decespugliatore in ogni momento.
- Mantenere il corretto appoggio dei piedi e l'equilibrio.
- Evitare di sporgersi eccessivamente.
- Mantenere l'attrezzo di taglio al di sotto dell'altezza del ginocchio.
- Tenere tutte le parti del proprio corpo lontano dall'attrezzo di taglio rotante e dalle superfici calde.

Se l'attrezzo di taglio raggiunge un'altezza superiore a quella del ginocchio, eseguire le necessarie regolazioni. Non utilizzare il decespugliatore prima di avere eseguito tali regolazioni. In caso di difficoltà nel regolare il bilanciamento del decespugliatore, rivolgersi al proprio concessionario.

### Operazioni basilari di taglio

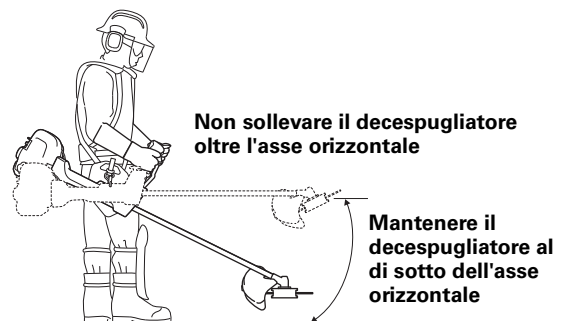
- Quando si utilizza il decespugliatore, servirsi della vita anziché usare la forza delle braccia, in modo che l'attrezzo di taglio oscilli da destra a sinistra disegnando un arco parallelo al suolo. Tenere il decespugliatore in modo da poter spostare il peso dalla gamba destra alla gamba sinistra e viceversa facilmente e in condizioni di sicurezza, e avanzare lentamente a piccoli passi.
- Quando si utilizza il decespugliatore su un lieve pendio, posizionarsi sul lato a valle. I pendii ripidi sono scivolosi e possono provocare la perdita di equilibrio. Non utilizzare il decespugliatore su pendii ripidi.



#### ATTENZIONE:

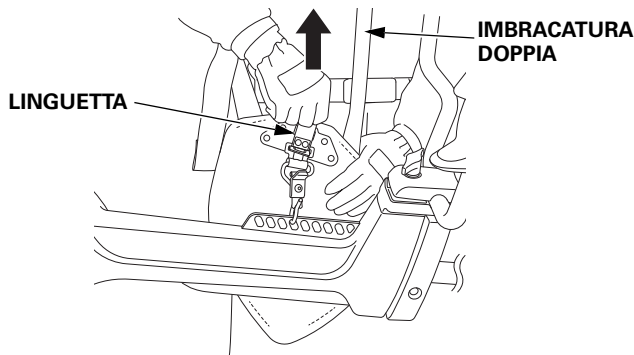
Mantenere l'appoggio corretto. Non utilizzare il decespugliatore in luoghi scivolosi, per evitare di perdere l'equilibrio.

- Durante l'uso, non sollevare il decespugliatore oltre l'asse orizzontale. Mantenere sempre il decespugliatore al di sotto dell'asse orizzontale.



## In caso di emergenza

In caso di emergenza, tirare la linguetta del dispositivo di sgancio rapido verso l'alto e allontanare il decespugliatore dall'imbracatura doppia.

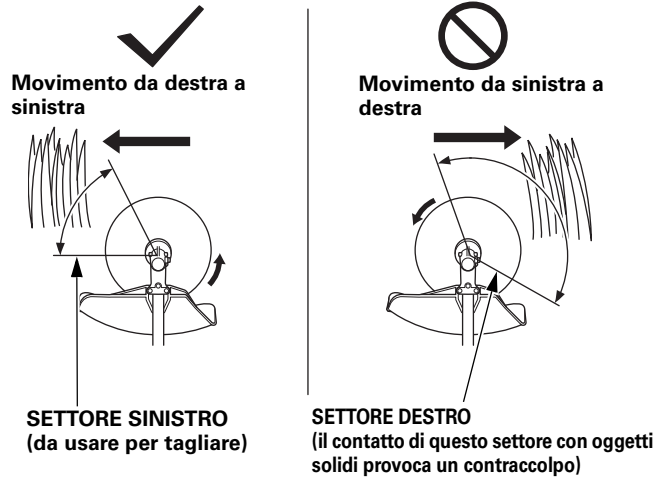
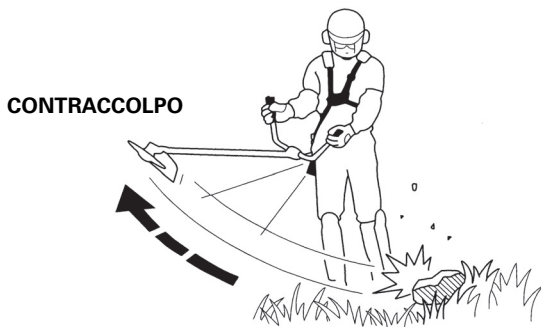


## Per evitare un contraccolpo

Non utilizzare mai il "settore destro" della lama in acciaio per tagliare. Il contatto tra la lama in acciaio e corpi solidi durante la rotazione della lama provoca il contraccolpo dell'attrezzo dato il senso di rotazione.

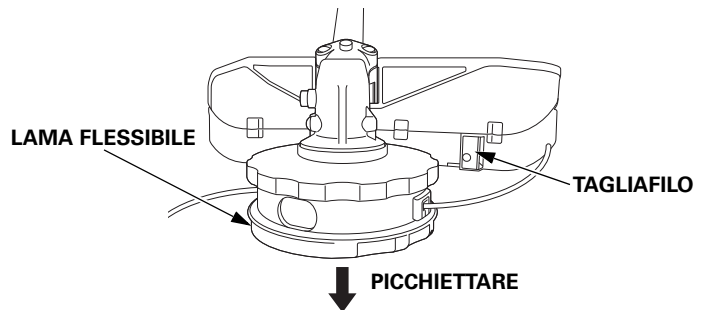
### ▲ AVVERTENZA

- Non sfiorare mai oggetti solidi, quali pietre, alberi, pali o elementi in cemento con la lama in acciaio rotante. Il contatto della lama in acciaio con oggetti simili provoca il contraccolpo dell'attrezzo di taglio. Non tagliare legno molto duro e/o piante con tronco dal diametro eccessivo con l'attrezzo di taglio, per evitare un contraccolpo. Un contraccolpo fa perdere il controllo del decespugliatore e provoca il contatto della lama in acciaio con l'operatore o altre persone, con il conseguente rischio di lesioni gravi o morte. Se la lama in acciaio è usurata, incrinata o danneggiata, un contraccolpo può provocarne la rottura e i pezzi della lama scagliati possono colpire l'operatore o altre persone, con il conseguente rischio di lesioni gravi o morte.
- Eseguire il taglio solamente muovendo il decespugliatore da destra a sinistra. Non utilizzare mai il "settore destro" della lama in acciaio per tagliare. Non eseguire il taglio mentre si muove l'attrezzo verso destra. Se viene colpito un oggetto solido in questa direzione, l'attrezzo di taglio subisce un contraccolpo, con il conseguente rischio di lesioni gravi o morte.
- Se la lama in acciaio viene a contatto con un ostacolo, arrestare subito il motore. Controllare la lama in acciaio non appena smette di ruotare. Non riprendere a tagliare se la lama in acciaio è rotta o danneggiata.



## Uso del filo con la lama flessibile

Con questo tipo di attrezzo di taglio, il filo di nylon avanza quando si picchietta la lama flessibile sul terreno mentre il motore è in funzione. In questo caso è necessario utilizzare una protezione attrezzo di taglio con tagliafilo.



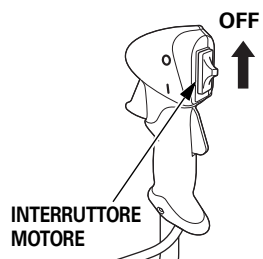
## ARRESTO DEL MOTORE

1. Rilasciare la leva di comando acceleratore.
2. Portare l'interruttore del motore in posizione OFF (spento).

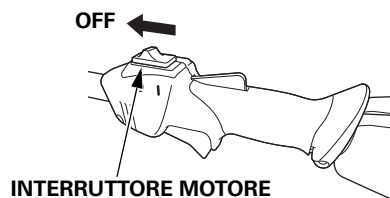
### ATTENZIONE:

- Quando si arresta il motore, l'attrezzo di taglio continua a ruotare brevemente per inerzia.
- Prima di posare il decespugliatore a terra, accertarsi che il motore sia spento e che l'attrezzo di taglio sia completamente fermo.

Tipi UEET, XEET



Tipo LEET



## MANUTENZIONE

I controlli e le regolazioni periodici del decespugliatore sono essenziali per mantenere prestazioni elevate. Inoltre la manutenzione regolare contribuisce ad allungare la vita dell'apparecchio. La frequenza e il tipo degli interventi di manutenzione da eseguire sono descritti nel programma di manutenzione.

Per garantire maggiore durata ed efficienza, mantenere il lato inferiore della protezione dell'attrezzo di taglio pulito e privo di sfalci d'erba. A tale scopo lavare con una canna da giardinaggio dopo ogni utilizzo e/o pulire la parte interessata con una spazzola in metallo e un raschietto.

### ▲AVVERTENZA

- **Prima di eseguire qualsiasi intervento di manutenzione, sistemare il decespugliatore su una superficie piana, accertarsi che l'attrezzo di taglio sia fermo, quindi portare l'interruttore del motore in posizione OFF (spento), onde impedire l'avviamento accidentale.**
- **La manutenzione del decespugliatore deve essere effettuata dal concessionario, a meno che non si disponga di utensili idonei, delle opportune istruzioni e delle necessarie competenze meccaniche.**

### ATTENZIONE:

- Per la manutenzione e le riparazioni utilizzare solo parti originali Honda o loro equivalenti. Parti di ricambio di qualità non equivalente potrebbero danneggiare il decespugliatore.
- Per evitare lesioni personali, prima di intervenire sulla lama in acciaio, posizionare la protezione della lama.

Per posizionare la protezione della lama, vedere pagina 14.

## PROGRAMMA DI MANUTENZIONE

INTERVALLO DI MANUTENZIONE PERIODICA (3)	Voce	Ad ogni uso	Frequenza					Pagina
			Primo mese oppure 10 ore	Ogni 3 mesi oppure 25 ore	Ogni 6 mesi oppure 50 ore	Ogni anno oppure 100 ore	Ogni 2 anni oppure 300 ore	
Effettuare ad ogni intervallo di mesi o ore di funzionamento indicati, a seconda di quello che si verifica prima.	Controllare il livello	o						14
	Sostituire		o		o			31
Filtro aria	Controllare	o						15
	Pulire			o (1)				31
Sostituire						o		31
	Controllare-regolare					o (2)		-
Sostituire							o (2)	-
Cavali acceleratore / leva di comando acceleratore	Controllare	o						16
Funzionamento dell'interruttore motore	Controllare	o						22
Imbracatura doppia	Controllare	o						19
Attrezzo di taglio	Controllare (sostituire se necessario)	o						18
Protezione attrezzo di taglio	Controllare	o						16
Minimo / Frizione	Controllare	o						22
Alette di raffreddamento motore	Controllare-pulire				o (1)(2)			-
Dadi, bulloni, dispositivi di fissaggio	Controllare (serrare se necessario)	o						18
Serbatoio carburante	Pulire					o		32
Filtro carburante	Controllare					o		32
Ganasce frizione e tamburo	Controllare				o (2)(4)			-
Stato di usura della scatola di trasmissione	Controllare				o (2)			-
Scatola di trasmissione	Controllare-pulire	o						17
	Lubrificare			o				32
Regime minimo	Controllare-regolare					o (2)		-
Gioco valvole	Controllare-regolare					o (2)		-
Camera di combustione	Pulire	Ogni 2 anni oppure ogni 300 ore (2)						-
Tubi carburante	Controllare	Ogni anno oppure ogni 100 ore (sostituire se necessario) (2)						-
Tubi dell'olio	Controllare	Ogni 2 anni (sostituire se necessario) (2)						-
Gommini antivibratori (5)	Controllare-regolare				o (2)			-

- (1) Eseguire una manutenzione più frequente in caso di utilizzo in zone polverose.
- (2) La manutenzione di tali parti deve essere effettuata dal proprio concessionario, a meno che non si disponga degli utensili adeguati e delle necessarie conoscenze meccaniche. Fare riferimento al manuale d'officina Honda per le procedure di manutenzione.
- (3) Registrare le ore di funzionamento per determinare i corretti intervalli di manutenzione.
- (4) Queste parti consumabili dovrebbero essere sostituite anche dopo un breve periodo se è necessario.
- (5) Tipo XEET (tipo applicabile)

## SOSTITUZIONE DELL'ATTREZZO DI TAGLIO

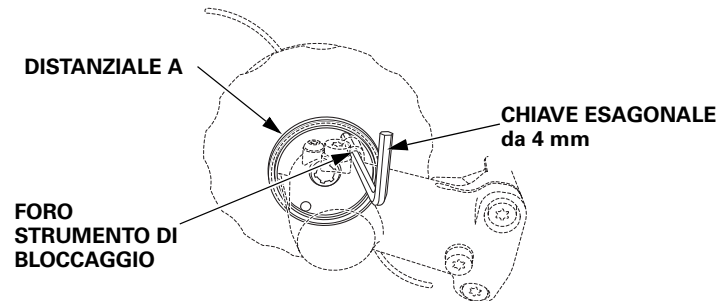
### ⚠AVVERTENZA

- Per evitare lesioni personali gravi, accertarsi che l'interruttore del motore sia in posizione OFF (spento), onde impedirne l'avviamento accidentale.
- Per ragioni di sicurezza, prima di avviare il motore verificare che l'attrezzo di taglio non presenti danni o segni di usura e controllare che sia fissato correttamente. L'uso del decespugliatore con un attrezzo di taglio usurato, incrinato o danneggiato può provocare lesioni personali o danni all'apparecchio. Un attrezzo di taglio usurato, incrinato o danneggiato può rompersi e i pezzi risultanti possono colpire l'operatore o altre persone presenti nelle vicinanze, causandone la morte o arrecando gravi lesioni.

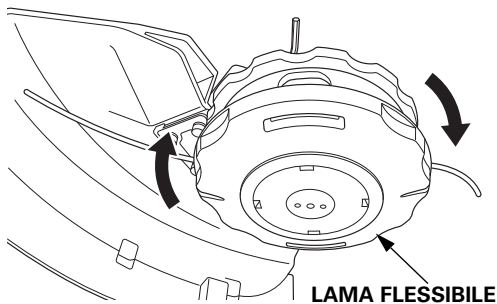
### Sostituzione della lama flessibile

#### Smontaggio:

1. Arrestare il motore posizionando l'interruttore su OFF (spento).
2. Inserire la chiave esagonale da 4 mm nel foro dello strumento di bloccaggio. Ruotare la lama flessibile finché la chiave esagonale non entra nel foro del distanziale A. Accertarsi che la lama flessibile non ruoti.

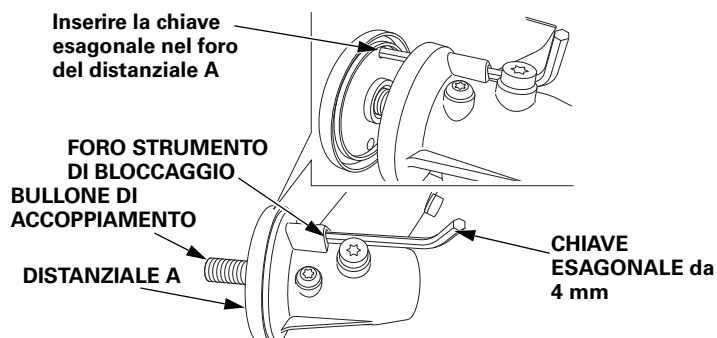


3. Ruotare la lama flessibile in senso orario per rimuoverla dalla scatola di trasmissione.

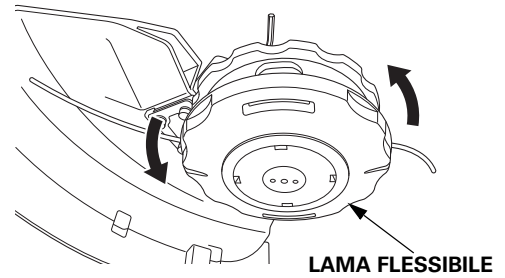


#### Montaggio:

1. Accertarsi che il distanziale A sia montato nella scatola di trasmissione.
2. Inserire la chiave esagonale da 4 mm nel foro dello strumento di bloccaggio per impedire al bullone di accoppiamento di ruotare.



3. Ruotare la lama flessibile in senso antiorario per montarla sulla scatola di trasmissione.



### Sostituzione del filo di nylon

### ⚠AVVERTENZA

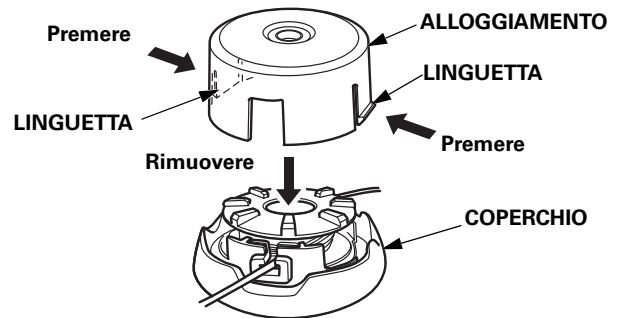
- Non sostituire il filo di nylon con un filo di altro materiale, ad esempio filo di ferro.

#### Tipi UEET, LEET:

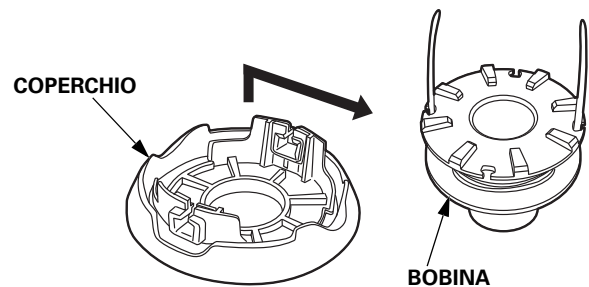
#### Specifiche consigliate per il filo di nylon:

Diametro standard del filo di nylon: 2,7 mm, lunghezza massima: 6,0 metri

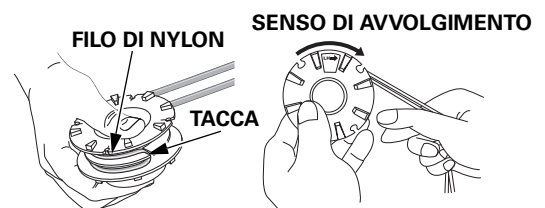
1. Rimuovere il coperchio dell'alloggiamento. Premere due linguette poste sull'alloggiamento e rimuovere il coperchio tirandolo verso il basso.



2. Estrarre la bobina dal coperchio e rimuovere il filo di nylon residuo.

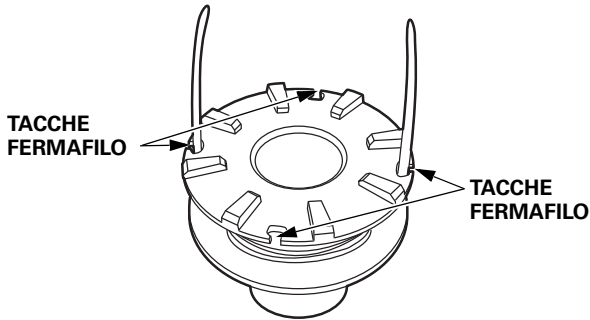


3. Preparare un filo di nylon di lunghezza adeguata e piegarlo a metà, nel senso della lunghezza.
4. Posizionare il punto centrale del filo di nylon nella tacca della bobina e avvolgere il filo nel senso indicato.

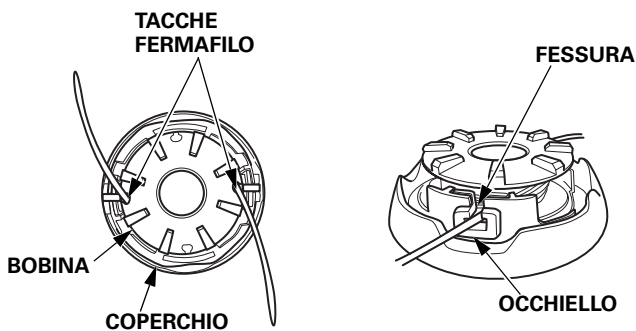




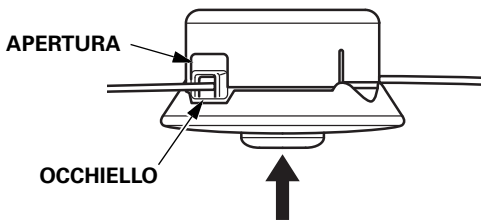
5. Bloccare le estremità del filo nelle tacche fermafilo su una delle flange esterne della bobina. Lasciare fuoriuscire 10 cm di filo dalle tacche. Accertarsi che il filo non sia allentato.



6. Posizionare la bobina sul coperchio in modo che le tacche fermafilo siano allineate con gli occhielli del coperchio. Far passare il filo di nylon negli occhielli, attraverso le fessure poste nella parte superiore degli occhielli.

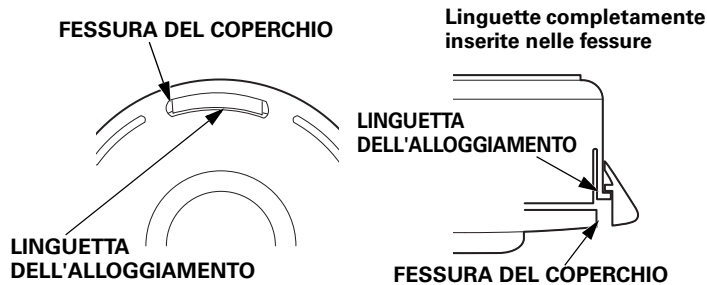


7. Allineare l'occhiello con l'apertura posta sull'alloggiamento, quindi montare il coperchio sull'alloggiamento.



**NOTA:**

Accertarsi che le linguette dell'alloggiamento siano completamente inserite nelle fessure del coperchio.

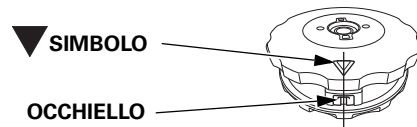


**Tipo XEET:**

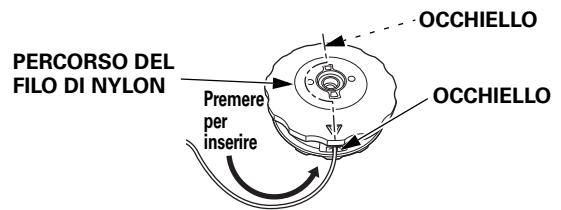
Specifiche consigliate per il filo di nylon:

Diametro standard del filo di nylon: 3,0 mm, lunghezza massima: 5,0 metri

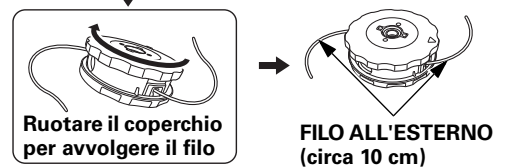
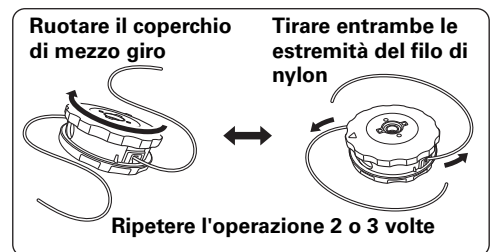
1. Allineare il simbolo ▼ con l'occhiello.



2. Preparare un filo di nylon di lunghezza adeguata. Inserire il filo di nylon nell'occhiello dal lato sinistro, come mostrato nella figura. Inserendo il filo in questo senso è più facile spingere il filo verso il lato opposto del foro.
3. Spingere il filo di nylon finché l'estremità del filo non esce dall'altro lato dell'occhiello.



4. Tirare fuori il filo di nylon e regolarne la lunghezza in modo che sia uguale su entrambi i lati.
5. Afferrare la bobina e ruotare di mezzo giro il coperchio nel senso indicato per avvolgere il filo di nylon. Tirare entrambe le estremità del filo di nylon per tendere il filo avvolto nella bobina, quindi ruotare di mezzo giro il coperchio e tirare di nuovo il filo di nylon. Ripetere questa operazione 2 o 3 volte. Infine ruotare il coperchio finché all'esterno non rimangono circa 10 cm di filo.



## Sostituzione della lama in acciaio

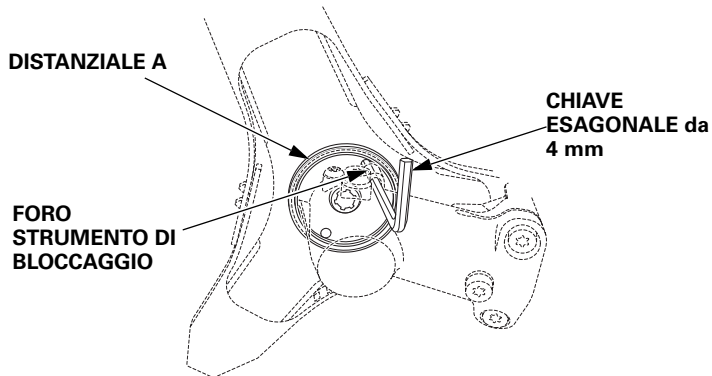
### ATTENZIONE:

- Prima di intervenire sull'attrezzo di taglio, indossare guanti spessi per proteggere le mani.
- Per evitare lesioni personali, prima di intervenire sulla lama in acciaio, posizionare la protezione della lama.

Per posizionare la protezione della lama, vedere pagina 14.

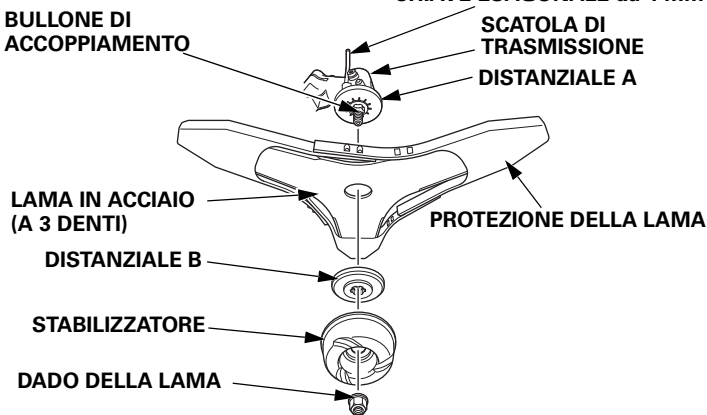
Smontaggio:

1. Arrestare il motore posizionando l'interruttore su OFF (spento).
2. Inserire la chiave esagonale da 4 mm nel foro dello strumento di bloccaggio. Ruotare la lama in acciaio finché la chiave esagonale non entra nel foro del distanziale A. Accertarsi che la lama in acciaio non ruoti.

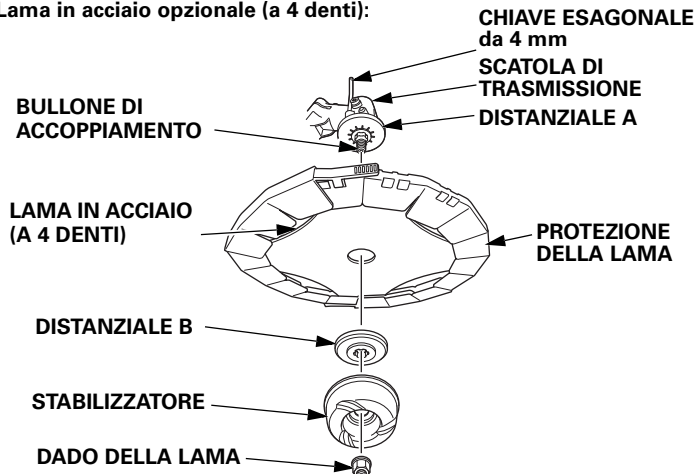


3. Allentare il dado della lama. Il bullone di accoppiamento e il dado della lama presentano filettatura sinistrorsa. Per allentare, ruotare in senso orario. Durante la fase di smontaggio prestare attenzione all'ordine e all'orientamento delle parti.

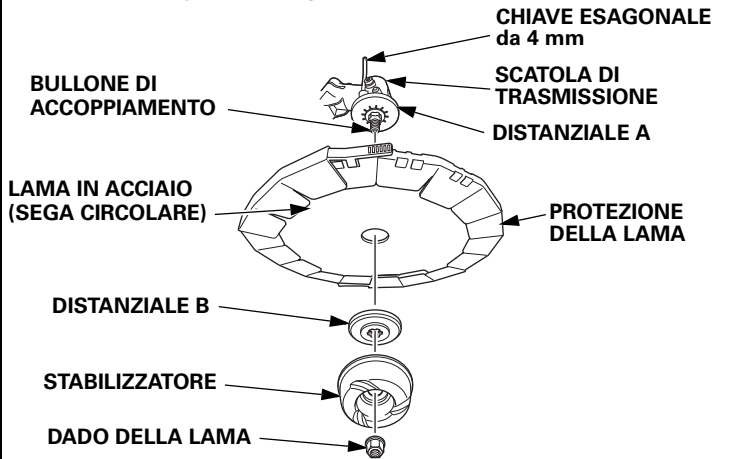
Lama in acciaio (a 3 denti):



Lama in acciaio opzionale (a 4 denti):



Lama in acciaio opzionale (sega circolare):



Montaggio:

Per montare la lama in acciaio, vedere pagina 10.

## CAMBIO DELL'OLIO MOTORE

### NOTA:

- Se il motore viene azionato con un livello dell'olio basso potrebbe subire gravi danni.
- L'uso di olio non detergente per motori a 2 tempi può compromettere la durata del motore.

### NOTA:

Svuotare il serbatoio dell'olio a motore ancora caldo per garantire uno svuotamento rapido e completo.

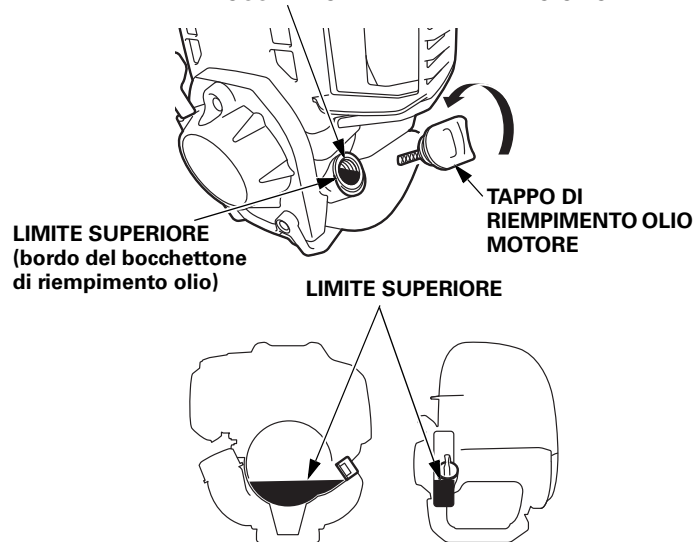
1. Controllare che il tappo del serbatoio carburante sia ben chiuso.
2. Rimuovere il tappo di riempimento dell'olio e scaricare l'olio nel recipiente inclinando il motore verso il bocchettone di riempimento olio.



3. Riempire con l'olio consigliato fino al limite superiore (bordo del bocchettone di riempimento olio).
4. Riposizionare il tappo di riempimento dell'olio.

CAPACITÀ OLIO MOTORE: 130 cm<sup>3</sup> (0,13 L)

### BOCCHETTONE DI RIEMPIMENTO OLIO



Lavare le mani con acqua e sapone dopo avere maneggiato l'olio esausto.

### NOTA:

Smaltire l'olio esausto rispettando l'ambiente. Si consiglia di versarlo in un contenitore sigillato e di portarlo a una stazione di rifornimento. Non gettarlo nella spazzatura o a terra.

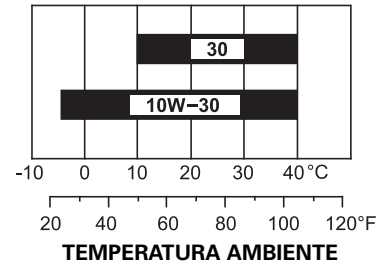
## olio motore consigliato

Usare olio per motori a 4 tempi che sia almeno conforme ai requisiti per la classificazione API SE o successive (o equivalenti).

Controllare sempre l'etichetta di servizio API sul contenitore dell'olio per accertarsi che siano riportate le lettere SE o una classificazione successiva (o equivalente).

SAE 10W-30 è consigliato per l'uso generico. È possibile utilizzare le altre viscosità indicate nella tabella quando la temperatura media della propria zona è compresa nell'intervallo indicato.

Specifiche olio lubrificante necessarie per mantenere le prestazioni del sistema di controllo delle emissioni: olio originale Honda.



## PULIZIA DEL FILTRO DELL'ARIA

Un filtro sporco limita il flusso dell'aria al carburatore. Per evitare il malfunzionamento del carburatore, pulire il filtro dell'aria regolarmente. Pulire il filtro con maggiore frequenza quando si utilizza il decespugliatore in ambienti molto polverosi.

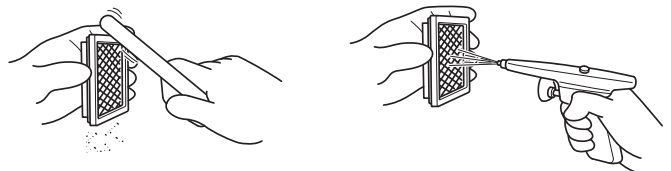
### AVVERTENZA

**Non utilizzare benzina o solventi a basso punto di infiammabilità per pulire la cartuccia del filtro aria. L'uso di tali sostanze potrebbe provocare un incendio o un'esplosione.**

Rimuovere la cartuccia del filtro aria per pulirla.

Per rimuovere la cartuccia del filtro aria, vedere pagina 15.

Picchiettare la cartuccia del filtro aria varie volte su una superficie dura per rimuovere polvere e sporcizia o soffiare aria compressa [non superiore a 200 kPa (2,0 kgf/cm<sup>2</sup>)] attraverso la cartuccia dal lato del filtro aria. Non usare spazzole per rimuovere lo sporco; la spazzola spinge lo sporco dentro le fibre. Sostituire la cartuccia del filtro aria se è eccessivamente sporca.



Al termine della pulizia, inserire saldamente il filtro dell'aria nel rispettivo alloggiamento.

Per posizionare la cartuccia del filtro aria, vedere pagina 15.

### NOTA:

Non azionare il motore senza il filtro dell'aria, onde evitare il rapido deterioramento del motore.

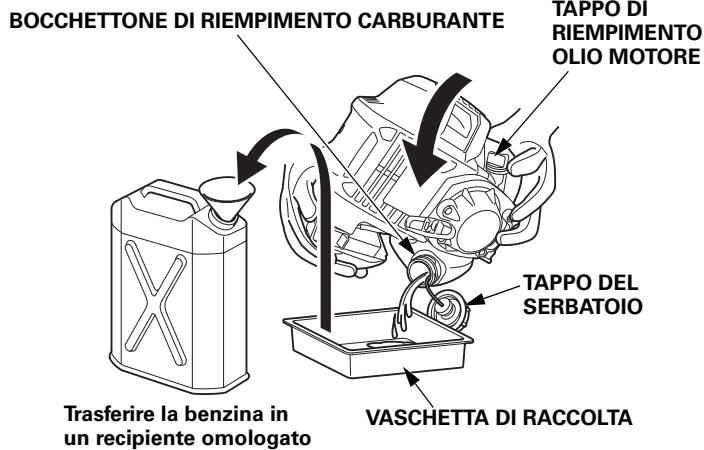
## PULIZIA DEL FILTRO CARBURANTE E DEL SERBATOIO CARBURANTE

### ▲AVVERTENZA

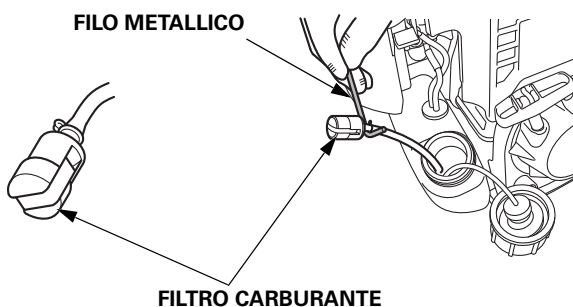
- La benzina è altamente infiammabile e, in alcuni casi, esplosiva.
- Eseguire la pulizia in un luogo ben ventilato e a motore spento. Non fumare e non avvicinare fiamme o scintille al punto in cui si effettua il rifornimento o nel luogo di stoccaggio della benzina.
- Prestare attenzione a non versare benzina durante il rifornimento. Gli schizzi e i vapori di benzina potrebbero infiammarsi. In caso di versamento accidentale di benzina, accertarsi che l'area sia asciutta prima di avviare il motore.
- Evitare il contatto ripetuto o prolungato della benzina con la pelle e non inalare i vapori.
- TENERE LONTANO DALLA PORTATA DEI BAMBINI.

Un filtro carburante ostruito riduce le prestazioni del motore. Acqua, polvere, sporcizia o materiale contaminato all'interno del serbatoio carburante riducono le prestazioni del motore.

1. Controllare che il tappo di riempimento dell'olio motore sia ben chiuso.
2. Rimuovere il tappo del serbatoio carburante e scaricare la benzina nel contenitore inclinando il motore verso il bocchettone di riempimento carburante.



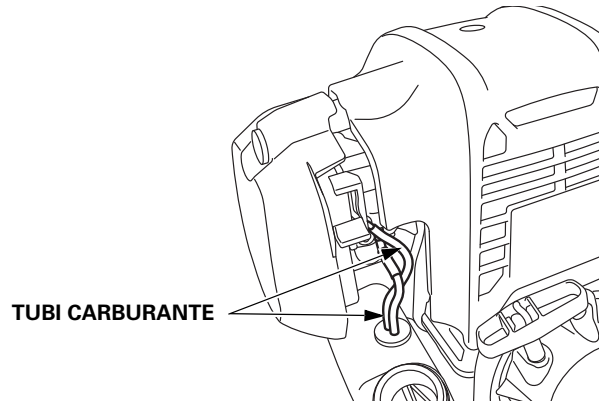
3. Estrarre delicatamente il filtro carburante dal bocchettone di riempimento carburante con un pezzo di filo metallico (ad esempio un fermaglio raddrizzato).



4. Controllare il filtro del carburante. Se il filtro del carburante è sporco, lavarlo delicatamente con un solvente non infiammabile o ad alto punto di infiammabilità. Se il filtro del carburante è eccessivamente sporco, sostituirlo.
5. Rimuovere acqua e sporcizia dal serbatoio del carburante risciacquandone l'interno con un solvente non infiammabile o ad alto punto di infiammabilità.
6. Ricollocare il filtro carburante nel serbatoio carburante e chiudere bene il tappo del serbatoio carburante.

## CONTROLLO DEI TUBI CARBURANTE

Controllare che i tubi del carburante non presentino incrinature o altri danni e verificare che non vi siano perdite di carburante dai tubi. Qualora si riscontrino sintomi anomali sui tubi del carburante, contattare il proprio concessionario.



## LUBRIFICAZIONE DELLA SCATOLA DI TRASMISSIONE

### ▲AVVERTENZA

- Per evitare lesioni personali gravi, accertarsi che l'interruttore del motore sia in posizione OFF (spento), onde impedire l'avviamento accidentale.

### ATTENZIONE:

- Prima di intervenire sull'attrezzo di taglio, indossare guanti spessi per proteggere le mani.

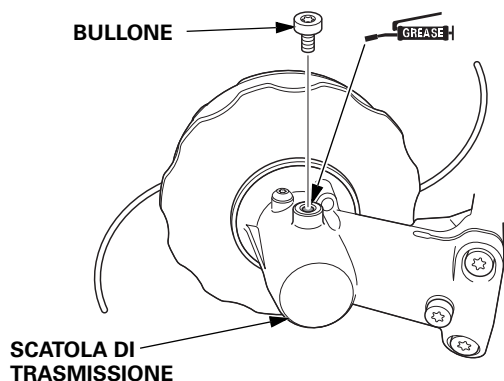
1. Rimuovere il bullone della scatola di trasmissione.
2. Versare il lubrificante ruotando lentamente l'attrezzo di taglio, fino alla fuoriuscita del lubrificante dalla scatola di trasmissione.

Quantità massima di lubrificante:

Tipi UEET, LEET: 14,5 g

Tipo XEET: 19,0 g

3. Riposizionare il bullone.  
Serrare a fondo il bullone. Coppia di serraggio del bullone: 6,9 N·m (0,7 kgf·m)  
Lubrificante consigliato: Lithium Complex Moly, grado NLGI 2 = penetrazione circa 290 (equivalente di Molyloc No.2 JXTG Nippon Oil & Energy Corporation)



## TRASPORTO

### ATTENZIONE:

- Per evitare lesioni personali, prima di trasportare il decespugliatore, posizionare la protezione della lama.

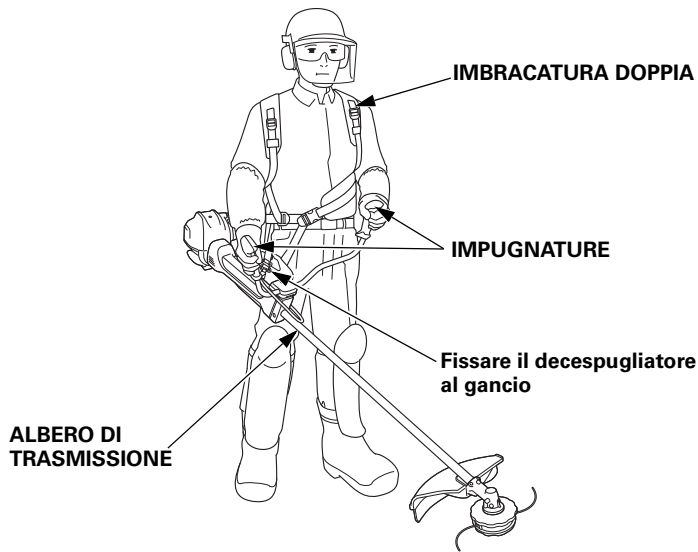
Per posizionare la protezione della lama, vedere pagina 14.

Portare l'interruttore del motore in posizione OFF (spento). Accertarsi che il tappo carburante sia chiuso saldamente e che il motore sia freddo.

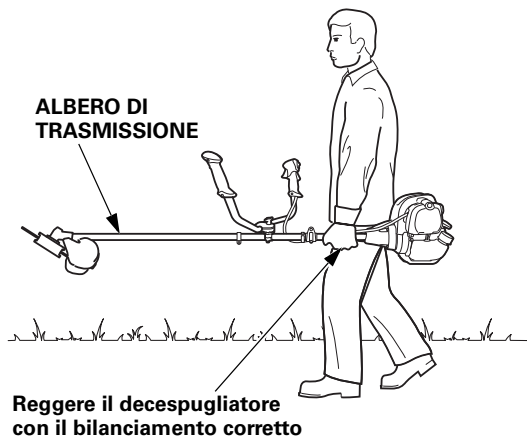
### TRASPORTO DEL DECESPUGLIATORE A MANO

Fissare il decespugliatore al gancio posto sull'imbracatura doppia e afferrare le impugnature, oppure reggere l'albero di trasmissione per trasportare il decespugliatore con il bilanciamento corretto.

#### Trasporto afferrando le impugnature:



#### Trasporto reggendo l'albero di trasmissione:



### TRASPORTO DEL DECESPUGLIATORE A BORDO DI UN VEICOLO

Sistemare il decespugliatore in posizione orizzontale e bloccarlo in modo da evitare qualsiasi movimento o caduta. Per i tipi UEET e XEET, ripiegare il manubrio in base alle necessità (vedere pagina 13).

## RIMESSAGGIO

Una corretta preparazione al rimessaggio è fondamentale per evitare che il decespugliatore subisca danni, sia interni sia esterni. I seguenti passaggi contribuiscono ad evitare che la ruggine e la corrosione riducano le prestazioni del decespugliatore.

### ATTENZIONE:

- Se il decespugliatore era in funzione, il motore sarà molto caldo; lasciarlo raffreddare prima di procedere.
- Sistemare il decespugliatore su una superficie piana e accertarsi che l'interruttore del motore sia in posizione OFF (spento), onde impedirne l'avviamento accidentale.

### PULIRE IL DECESPUGLIATORE

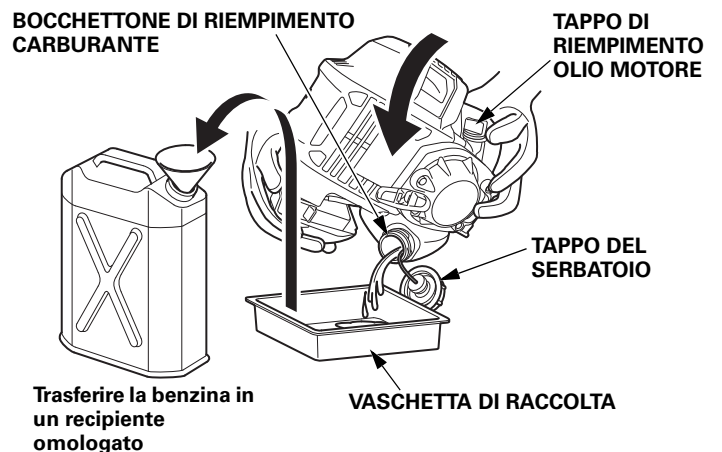
Pulire tutte le superfici esterne, ritoccare la vernice danneggiata e applicare un leggero strato di olio sulle altre parti che potrebbero essere soggette a ruggine.

### SCARICARE IL CARBURANTE

#### ▲ AVVERTENZA

- La benzina è altamente infiammabile e, in alcuni casi, esplosiva.
- Eseguire la pulizia in un luogo ben ventilato e a motore spento. Non fumare e non avvicinare fiamme o scintille al punto in cui si effettua il rifornimento o nel luogo di stoccaggio della benzina.
- Prestare attenzione a non versare benzina durante il rifornimento. Gli schizzi e i vapori di benzina potrebbero infiammarsi. In caso di versamento accidentale di benzina, accertarsi che l'area sia asciutta prima di avviare il motore.
- Evitare il contatto ripetuto o prolungato della benzina con la pelle e non inalare i vapori.
- TENERE LONTANO DALLA PORTATA DEI BAMBINI.

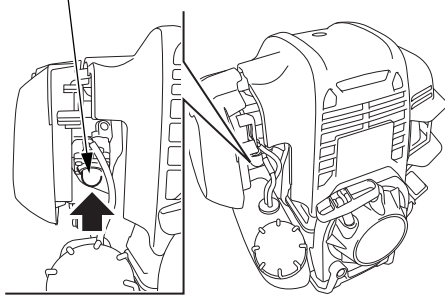
1. Controllare che il tappo di riempimento dell'olio motore sia ben chiuso.
2. Rimuovere il tappo del serbatoio carburante e scaricare la benzina nel contenitore inclinando il motore verso il bocchettone di riempimento carburante.





3. Premere più volte il bulbo di adescamento, finché tutto il carburante non è ritornato nel serbatoio.

#### BULBO DI ADESCAMENTO



4. Inclinare nuovamente il motore verso il bocchettone di riempimento carburante per scaricare nel contenitore il carburante rimasto nel serbatoio carburante.
5. Dopo avere scaricato tutto il carburante chiudere saldamente il tappo del serbatoio.
6. Avviare il motore e lasciarlo in funzione finché non si arresta per mancanza di carburante.

#### NOTA:

- La benzina deteriorata può provocare danni inaspettati al motore.
- La benzina deve essere conservata in un contenitore pulito, utilizzato esclusivamente per lo stoccaggio del carburante.
- Conservare la benzina in un luogo fresco e ben ventilato.
- Non conservare né trasportare la benzina in bottiglie in PET (polietilene tereftalato).

#### SOSTITUIRE L'OLIO MOTORE

Per sostituire l'olio motore, vedere pagina 31.

#### ATTENZIONE:

Se era in funzione il motore sarà molto caldo. Lasciarlo raffreddare prima di procedere.

#### PULIRE IL FILTRO DELL'ARIA

Per pulire il filtro dell'aria, vedere pagina 31.

#### TIRARE LENTAMENTE LA MANIGLIA DI AVVIAMENTO

Tirare lentamente la maniglia di avviamento finché non si avverte resistenza. Il rimessaggio in questa posizione previene la corrosione interna.

#### OLIARE LA LAMA IN ACCIAIO

Applicare un leggero strato di olio alla lama in acciaio per prevenire la formazione di ruggine.

#### RIMESSAGGIO

Chiudere lo starter (spostare la leva dello starter verso l'alto) e posizionare la protezione della lama.

Per i tipi UEET e XEET, ripiegare il manubrio in base alle necessità (vedere pagina 13).

Coprire il decespugliatore per evitare che si impolveri.

Se il decespugliatore viene riposto in posizione verticale, sistemarlo con il motore in basso per evitare che cada durante il rimessaggio.

Prima di utilizzare il decespugliatore, eseguire accuratamente tutte le verifiche previste.

## INDIVIDUAZIONE DEI GUASTI

### IL MOTORE NON SI AVVIA

1. Manca la benzina. Pagina 15
2. L'interruttore motore è in posizione OFF (spento). Pagina 23
3. Il cappuccio della candela è posizionato in modo errato o scollegato. -
4. La candela è difettosa o la distanza tra gli elettrodi è errata. -
5. Il motore è ingolfato. Rimuovere la candela, asciugarla con un panno e rimontarla. -
6. Il filtro carburante è sporco. Pulirlo. Pagina 32

### AVVIO DIFFICOLTOSO O PERDITA DI POTENZA

1. Il filtro dell'aria è sporco. Pagina 31
2. Presenza di impurità nel serbatoio carburante. Pagina 32
3. Presenza di acqua nel serbatoio carburante e nel carburante. Pagina 32
4. Lo sfiato del tappo del serbatoio e/o il carburatore sono ostruiti. -
5. Il motore è caldo; lo starter è chiuso. Aprire lo starter. Pagina 23

### FUNZIONAMENTO IRREGOLARE

1. La candela è difettosa o la distanza tra gli elettrodi è errata. -
2. Il filtro dell'aria è sporco. Pagina 31

### SURRISCALDAMENTO DEL MOTORE

1. La distanza tra gli elettrodi della candela è errata. -
2. Il filtro dell'aria è sporco. Pagina 31
3. Le alette di raffreddamento del motore sono ostruite. -
4. Il livello dell'olio è troppo basso. Pagina 14
5. La puleggia dello starter è incrostata da fili d'erba, ecc. -

### IL DECESPUGLIATORE VIBRA IN MODO ECCESSIVO

1. La lama in acciaio è sbilanciata o l'attrezzo di taglio non è montato correttamente. -
2. I bulloni del motore non sono serrati. -

### L'IMPUGNATURA VIBRA IN MODO ECCESSIVO (TIPO XEET)

1. L'elemento ammortizzante risulta inefficiente a causa dello scorrimento del supporto in gomma. -
2. L'elemento ammortizzante risulta inefficiente a causa di danni al supporto in gomma. -

Per le possibili cause non contemplate nel presente manuale, rivolgersi al proprio concessionario.

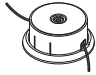


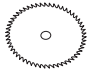






## ACCESSORI

### PEZZI DI RICAMBIO, CONSUMABILI

Diversi accessori sono forniti in dotazione con la macchina oppure sono disponibili come parti opzionali, a seconda del modello.

Per l'acquisto di tali accessori o parti, contattare il proprio concessionario.

	UEET	LEET	XEET
Falcatura e pulizia			
	<b>Voce</b>	Lama flessibile	
	<b>N. parte</b>	72560-VL6-P31	72560-VR4-E21
Siepi con spine e cespugli			
	<b>Voce</b>	Lama in acciaio standard (a 3 denti)	
	<b>N. parte</b>	72511-VL6-P31	72511-VR4-E21
Ampie superfici erbose			
	<b>Voce</b>	Lama in acciaio opzionale (a 4 denti)	
	<b>N. parte</b>	72511-VF9-E32 (Ø230 mm) 72512-VL6-P31 (Ø255 mm)	
Cespugli nodosi e arbusti (opzionale per i tipi UEET e XEET)			
	<b>Voce</b>	Lama in acciaio opzionale (sega circolare)	
	<b>N. parte</b>	72511-VL6-H31	72511-VL6-H31
Protezione attrezzo di taglio standard per lama flessibile e lama in acciaio (a 3 denti/4 denti)			
	<b>Voce</b>	Protezione attrezzo di taglio standard	
	<b>N. parte</b>	76240-VR4-E01	
Protezione attrezzo di taglio opzionale per lama in acciaio (sega circolare)			
	<b>Voce</b>	Protezione attrezzo di taglio opzionale	
	<b>N. parte</b>	76247-VL6-J31	76247-VL6-J31
Protezione per lama in acciaio (a 3 denti) dei tipi UEET e LEET e tutte le lame in acciaio opzionali			
	<b>Voce</b>	Protezione della lama	
	<b>N. parte</b>	72534-VJ3-681	
Protezione per lama in acciaio (a 3 denti) del tipo XEET			
	<b>Voce</b>	Protezione della lama	
	<b>N. parte</b>	72534-VR4-E21	

Pezzi di ricambio		
	<b>Voce</b>	Filtro dell'aria
	<b>N. parte</b>	17211-Z3F-000
	<b>Voce</b>	Candela
	<b>N. parte</b>	31915-Z0H-003
	<b>Voce</b>	Corda del motorino di avviamento a strappo
	<b>N. parte</b>	28462-ZM3-003
Consumabili		
	<b>Voce</b>	Olio motore
	<b>N. parte</b>	08221-888-010MP

Le illustrazioni di questa tabella fungono da riferimento visivo e potrebbero differire dall'aspetto del prodotto reale.

### ▲ AVVERTENZA

**Per la propria sicurezza, è severamente vietato utilizzare accessori diversi da quelli sopraelencati, progettati specificamente per il modello e il tipo di decespugliatore in uso.**

## SMALTIMENTO

Nel rispetto dell'ambiente, non gettare questo prodotto, la batteria, l'olio motore e così via nei cassonetti della spazzatura. Osservare le leggi e le normative locali o consultare un concessionario autorizzato Honda per il corretto smaltimento.

## INFORMAZIONI TECNICHE

### MODIFICHE DEL CARBURATORE PER FUNZIONAMENTO AD ALTA QUOTA

Per l'utilizzo ad alta quota, la miscela standard aria-carburante del carburatore è troppo ricca. Le prestazioni diminuiscono e il consumo di carburante aumenta. Inoltre, una miscela molto ricca imbratta le candele e causa difficoltà di avviamento. L'uso prolungato a un'altitudine differente da quella della certificazione del motore può aumentare le emissioni. È possibile migliorare le prestazioni ad alta quota tramite specifiche modifiche al carburatore. Se si utilizza sempre il decespugliatore ad altitudini superiori a 1.500 metri, affidarsi al proprio concessionario per la modifica del carburatore. Il motore, quando usato ad alta quota con il carburatore appositamente modificato, sarà conforme a tutti gli standard sulle emissioni per la durata della vita utile. Anche con la modifica del carburatore, la potenza del motore diminuisce del 3,5% circa per ogni 300 metri di aumento dell'altitudine. L'effetto dell'altitudine sulla potenza del motore sarebbe comunque maggiore qualora non venissero eseguite le modifiche al carburatore.

### ATTENZIONE:

Se il carburatore è stato modificato per l'uso ad altitudini elevate, la miscela aria-carburante è troppo povera per essere utilizzata a basse altitudini. L'utilizzo ad altitudini inferiori a 1.500 metri con un carburatore modificato potrebbe provocare il surriscaldamento del motore con gravi danni al motore stesso. Per l'uso a bassa quota, richiedere al concessionario di riportare il carburatore alle specifiche originali di fabbrica.

## SPECIFICHE TECNICHE

MODELLO		UMK450E		
TIPO		UEET	LEET	XEET
Codice descrittivo		HAMF	HANF	HAMF
Funzione		Taglio di erba e cespugli		
<b>TELAIO</b>				
Tipo di impugnatura		Impugnatura a manubrio	Impugnatura ad anello	Impugnatura a manubrio
Tipo di frizione		Frizione centrifuga		
Attrezzo di taglio (lama flessibile)	Tipo	Testa di taglio con filo di nylon, Tap & Go		
	Diametro del corpo	444 mm		
Attrezzo di taglio (lama in acciaio)	Tipo	Lama a 3 denti		
	Diametro complessivo	255 mm		303 mm
Dimensioni Lunghezza x Larghezza x Altezza	Lama flessibile	1.870 x 670 x 520 mm	1.870 x 385 x 280 mm	1.880 x 670 x 585 mm
	Lama in acciaio (a 3 denti)	1.905 x 670 x 510 mm	1.905 x 385 x 280 mm	1.925 x 670 x 570 mm
Massa a secco (senza attrezzo di taglio, olio e carburante)		8,1 kg	7,7 kg	9,4 kg
Numero di rotazioni dell'attrezzo di taglio (numero massimo di rotazioni senza carico)	Lama flessibile	7.100 min <sup>-1</sup> (giri/min)	7.100 min <sup>-1</sup> (giri/min)	7.400 min <sup>-1</sup> (giri/min)
	Lama in acciaio (a 3 denti)	8.150 min <sup>-1</sup> (giri/min)	8.150 min <sup>-1</sup> (giri/min)	7.900 min <sup>-1</sup> (giri/min)
<b>MOTORE</b>				
Modello		GX50T		
Codice descrittivo		GCCFT		
Tipo		4 tempi, albero a camme in testa, monocilindrico, raffreddamento ad aria forzata		
Cilindrata		47,9 cm <sup>3</sup>		
Alesaggio / Corsa		43,0 x 33,0 mm		
Potenza netta* (SAE J1349)		1,4 kW (2,0 PS)/7.000 min <sup>-1</sup> (giri/min)		
Coppia massima netta del motore* (SAE J1349)		2,2 N·m (0,22 kgf·m)/5.000 min <sup>-1</sup> (giri/min)		
Velocità massima senza carico		MIN. 10.000 min <sup>-1</sup> (giri/min)		
Regime minimo		3.100±200 min <sup>-1</sup> (giri/min)		
Olio motore		Olio per motori a 4 tempi, classificazione API SE o successive (o equivalenti), SAE 10W-30		
Capacità olio		130 cm <sup>3</sup> (0,13 L)		
Carburante		Benzina senza piombo E10		
Capacità serbatoio carburante		630 cm <sup>3</sup> (0,63 L)		
Accensione		Magnetico a transistor		
Marca e tipo candela		NGK CMR5H		
Carburatore		Membrana		
Emissioni di biossido di carbonio (CO <sub>2</sub> )**		Consultare la pagina "CO <sub>2</sub> Information List" sul sito <a href="http://www.honda-engines-eu.com/co2">www.honda-engines-eu.com/co2</a>		

\* La potenza nominale del motore indicata in questo documento si riferisce alla potenza netta rilevata sul modello di motore GX50T in fase di produzione, misurata secondo la procedura SAE J1349 a 7.000 min<sup>-1</sup> (giri/min) (potenza netta) e a 5.000 min<sup>-1</sup> (giri/min) (coppia massima netta). Questo valore potrebbe variare per i motori prodotti in serie. La potenza effettiva del motore installato nella macchina finale può variare a seconda di numerosi fattori, inclusa la velocità di funzionamento del motore nella sua applicazione, le condizioni ambientali, il livello di manutenzione e altre variabili.

\*\* Il valore di CO<sub>2</sub> è il risultato del test eseguito in un ciclo di prova prestabilito su un motore (capostipite) rappresentativo di un tipo o di una famiglia di motori in condizioni di laboratorio, e non costituisce una garanzia espressa o implicita delle prestazioni di un determinato motore.

<b>RUMORE</b>						
Voci		Livello equivalente di pressione sonora al posto operatore (2006/42/EC, ISO 22868: 2011) (dB(A))	Livello di potenza sonora misurato (2000/14/EC) (dB(A))		Livello di potenza sonora garantito (2000/14/EC) (dB(A))	
			Tipi			Incertezza di misura (dB(A))
UEET	Lama flessibile	96,0	2,3	108,4	2,3	112
	Lama in acciaio (a 3 denti)	94,1	1,6	103,0	1,6	112
	Lama in acciaio (a 4 denti, Ø255 mm) (opzionale)	94,2	2,3	103,1	2,3	112
	Lama in acciaio (a 4 denti, Ø230 mm) (opzionale)	94,3	1,9	103,1	1,9	112
	Lama in acciaio (sega circolare) (opzionale)	94,7	6,4	106,1	6,4	112
LEET	Lama flessibile	94,9	1,3	108,8	1,3	112
	Lama in acciaio (a 3 denti)	92,7	1,4	103,1	1,4	112
	Lama in acciaio (a 4 denti, Ø255 mm) (opzionale)	93,2	1,3	103,1	1,3	112
	Lama in acciaio (a 4 denti, Ø230 mm) (opzionale)	93,1	1,5	103,0	1,5	112
XEET	Lama flessibile	97,0	1,8	109,2	1,8	112
	Lama in acciaio (a 3 denti)	95,4	1,4	103,4	1,4	112
	Lama in acciaio (a 4 denti, Ø255 mm) (opzionale)	94,5	1,2	102,8	1,2	112
	Lama in acciaio (a 4 denti, Ø230 mm) (opzionale)	95,1	1,6	102,6	1,6	112
	Lama in acciaio (sega circolare) (opzionale)	94,7	4,1	105,7	4,1	112

<b>Vibrazione</b>				
Voci			Livello equivalente di vibrazione (2006/42/EC, ISO 22867: 2011) (m/s <sup>2</sup> )	
			Tipi e posizioni di misurazione	
UEET	Lama flessibile	Lato sinistro	3,58	0,50
		Lato destro	3,80	0,50
	Lama in acciaio (a 3 denti)	Lato sinistro	4,06	1,00
		Lato destro	3,39	0,90
	Lama in acciaio (a 4 denti, Ø255 mm) (opzionale)	Lato sinistro	5,49	1,40
		Lato destro	3,96	1,00
	Lama in acciaio (a 4 denti, Ø230 mm) (opzionale)	Lato sinistro	3,65	1,20
		Lato destro	2,54	0,60
	Lama in acciaio (sega circolare) (opzionale)	Lato sinistro	6,80	1,60
		Lato destro	4,52	1,00
LEET	Lama flessibile	Lato posteriore	5,90	0,90
		Lato anteriore	4,77	1,40
	Lama in acciaio (a 3 denti)	Lato posteriore	5,58	0,50
		Lato anteriore	4,89	2,10
	Lama in acciaio (a 4 denti, Ø255 mm) (opzionale)	Lato anteriore	5,66	0,80
		Lato posteriore	5,91	0,40
Lama in acciaio (a 4 denti, Ø230 mm) (opzionale)	Lato anteriore	4,18	1,30	
	Lato posteriore	5,81	0,80	
XEET	Lama flessibile	Lato sinistro	2,30	0,60
		Lato destro	1,80	0,20
	Lama in acciaio (a 3 denti)	Lato sinistro	2,45	0,48
		Lato destro	1,85	0,27
	Lama in acciaio (a 4 denti, Ø255 mm) (opzionale)	Lato sinistro	2,25	0,41
		Lato destro	1,87	0,35
	Lama in acciaio (a 4 denti, Ø230 mm) (opzionale)	Lato sinistro	2,30	0,64
		Lato destro	1,93	0,44
	Lama in acciaio (sega circolare) (opzionale)	Lato sinistro	2,36	0,50
		Lato destro	2,15	0,20



## INLEIDING

Dank u voor uw aanschaf van een Honda bosmaaier.

Deze handleiding beschrijft de bediening en het onderhoud van de Honda bosmaaier UMK450E.

Honda France manufacturing S. A. S. behoudt zich het recht voor om wijzigingen op ieder moment zonder voorafgaande kennisgeving door te voeren.

De afbeeldingen in deze handleiding tonen het model dat het beste aansluit bij het behandelde onderwerp.

De overige afbeeldingen, die van toepassing zijn voor alle typen, zijn gebaseerd op het type UMK450E XEET.

De afbeeldingen van de snijwerktuigen in deze handleiding tonen het type dat het beste aansluit bij het behandelde onderwerp.

De overige afbeeldingen, die van toepassing zijn voor alle typen, zijn gebaseerd op het flexibele of stalen snijgereedschap (3-tands).

De afbeeldingen in deze handleiding kunnen afwijken van die van uw model.

Niets uit deze uitgave mag worden gereproduceerd zonder schriftelijke toestemming.

Deze handleiding is te beschouwen als een permanent onderdeel van de bosmaaier en hoort bij verkoop ervan aan de nieuwe eigenaar te worden overhandigd.

## VEILIGHEIDSMEDEDELINGEN

Besteed bijzondere aandacht aan vermeldingen die worden voorafgegaan door de volgende woorden:

### ▲ WAARSCHUWING

Waarschuwt voor een hoog risico van ernstig lichamelijk letsel of de dood indien de aanwijzingen niet worden opgevolgd.

### VOORZICHTIG:

Waarschuwt voor een mogelijk risico van persoonlijk letsel of schade aan de maaier indien de aanwijzingen niet worden opgevolgd.

NB:

Geeft nuttige informatie.

## GEBRUIKERSHANDLEIDING LEZEN

Lees de instructies in deze handleiding zorgvuldig door voordat u de bosmaaier in gebruik neemt. Maak uzelf vertrouwd met het juiste gebruik en de bedieningselementen van de bosmaaier. Zorg dat u weet hoe u de motor snel kunt afzetten (zie pagina 26). Lees en begrijp de veiligheidsinstructies op pagina's 2 t/m 4 voordat u met de bosmaaier gaat werken.

Bosmaaiers van Honda zijn ontwikkeld om veilig en betrouwbaar te werken als er volgens de instructies mee wordt omgegaan.

### ▲ WAARSCHUWING

**Het gebruik van een bosmaaier vereist speciale middelen om de veiligheid van de gebruiker en die van anderen te waarborgen. Lees en begrijp deze gebruikershandleiding voordat u met de bosmaaier gaat werken; als u dit niet doet, kan dit leiden tot persoonlijk letsel of schade aan de maaier.**

Als er storingen optreden of als u vragen over uw bosmaaier hebt, neem dan contact op met uw onderhoudsdealer.

2019 - Honda France Manufacturing S.A.S. - Pôle 45 - Rue des Châtaigniers  
45140 ORMES - FRANCE - Alle rechten voorbehouden

3RVR46000  
00X3R-VR4-6000

0919

Gedrukt in Frankrijk

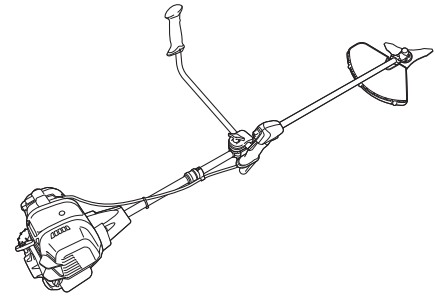
# HONDA

## INSTRUCTIEHANDLEIDING

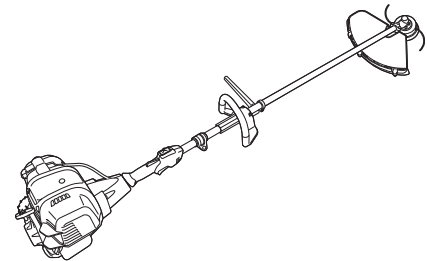
(Originele instructies)

### UMK450E Bosmaaiers

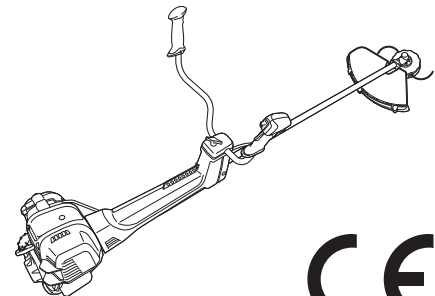
TYPE UEET



TYPE LEET



TYPE XEET



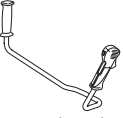



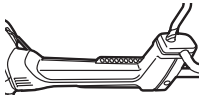
NEDERLANDS

## INHOUD

INLEIDING .....	1
IDENTIFICEER UW MAAIER .....	2
VEILIGHEIDSI NSTRUCTIES.....	2
LOCATIE VEILIGHEIDSS Tickers.....	4
IDENTIFICATIE VAN DE MAAIER.....	5
IDENTIFICATIE VAN COMPONENTEN .....	6
MONTAGE-INSTRUCTIES.....	8
BEDIENINGSELEMENTEN EN COMPONENTEN.....	11
CONTROLES VOOR GEBRUIK .....	14
DE MOTOR STARTEN .....	23
MAAIBEWERKING .....	24
DE MOTOR UITSCHAKELEN.....	26
ONDERHOUD.....	27
TRANSPORT.....	33
OPSLAG.....	33
PROBLEMEN OPLOSSEN.....	34
ACCESSOIRES .....	35
AFVOEREN .....	35
TECHNISCHE INFORMATIE .....	35
SPECIFICATIES.....	36
Adressen van Honda-importeurs .....	38
"EU-conformiteitsverklaring" OVERZICHT.....	39

## IDENTIFICEER UW MAAIER

Het model van uw bosmaaier staat vermeld op de "identificatiesticker" en wordt aangegeven met een serie letters.

	UEET	LEET	XEET
 Fietsstuurhandgreep	•*		•*
 Beugelhandgreep		•	
 Flexibel snijgereedschap	•*	•*	•*
 Stalen snijgereedschap (3-tands)	•*	•*	•*
 Antitrilsysteem			•

\* De specificaties kunnen per type verschillen.

\* Raadpleeg pagina 35 voor het gebruik van optionele snijwerktuigen.

## VEILIGHEIDSINSTRUCTIES

### VERANTWOORDELIJKHEID VAN DE GEBRUIKER

#### ▲ WAARSCHUWING

- Werk nooit met de bosmaaier wanneer u moe, ziek of onder invloed bent van alcohol of andere verdovende middelen.
- Elk onderdeel van de bosmaaier levert mogelijk gevaar op als de maaier in abnormale omstandigheden wordt gebruikt of als de maaier niet correct wordt onderhouden.
- Probeer nooit wijzigingen aan de bosmaaier aan te brengen. Dit kan een ongeval of schade aan de bosmaaier en de hulpstukken tot gevolg hebben. Aanpassingen aan de motor maken de EU-typegoedkeuring voor de motor ongeldig.
  - Sluit geen verlengstuk op de uitlaat aan.
  - Breng geen aanpassingen aan het inlaatsysteem aan.
- Lees de gebruikershandleiding zorgvuldig door. Zorg dat u bekend bent met de bedieningselementen en het juiste gebruik van de bosmaaier. Zorg dat u weet hoe u de motor snel kunt afzetten.
- Gebruik de bosmaaier alleen voor toepassingen waarvoor hij bedoeld is, namelijk maaien en snoeien. Elk ander gebruik kan gevaarlijk zijn of schade aan de bosmaaier veroorzaken. Gebruik de bosmaaier niet als snoeihaak.
- De bosmaaier mag nooit worden gebruikt door kinderen of door mensen die niet vertrouwd zijn met deze gebruikershandleiding. Volgens de plaatselijke wetgeving kan voor de gebruiker een minimumleeftijd gelden.

- Als u uw bosmaaier aan iemand anders uitleent, vertel hem of haar dan hoe hij of zij met het product moet werken en wijs hem of haar erop dat hij of zij de gebruikershandleiding grondig moet lezen alvorens ermee te werken.

- Gebruik de bosmaaier nooit terwijl:

– er mensen, vooral kinderen, of huisdieren in de buurt zijn.

- Gebruik de maaier nooit wanneer u vermoeid of ziek bent of na het gebruik van medicijnen, verdovende middelen, alcohol of andere stoffen die de concentratie en reactiesnelheid kunnen beïnvloeden.
- Houd mensen en huisdieren tijdens het werken op een afstand van ten minste 15 m van de gebruiker. Houd er rekening mee dat ook mensen die de gebruiker helpen op een afstand van ten minste 15 m van de gebruiker moeten blijven. We raden aan dat gebruikers en helpende mensen het motorstopsignaal en andere signalen afspreken en deze tijdens het werk voor hun veiligheid gebruiken.
- Onthoud dat de gebruiker verantwoordelijk is voor ongevallen of gevaren die ontstaan voor andere mensen of hun eigendommen.
- Draag tijdens het gebruik van de bosmaaier altijd de volgende beschermende kleding en beschermingsmiddelen.

- Beschermende kleding

Draag geschikte kleding met lange mouwen en een lange broek. Draag kleding die bij uw lichaam past en knoop of rits deze goed dicht. Laat de mouwen en de onderkant van uw hemd/jas niet loshangen.

Draag ook de armbedekkingen.

Draag geen kleding met bandjes, veters en/of linten en ook geen loszittende kleding, stropdassen, kettingen enz. tijdens het gebruik. Deze kunnen vast raken in de bosmaaier of in het onkruid en daardoor letsel veroorzaken. Bind uw haar bijeen als het lang is en laat uw haar niet tot onder de schouders hangen.

- Beschermingsmiddelen

- \* **Veiligheidsbril**

Draag een veiligheidsbril of andere oogbescherming om uw ogen te beschermen tegen afval dat door het roterende snijwerktuig wordt weggeslingerd.

- \* **Helm**

Draag een helm om uw hoofd te beschermen tegen overhangende takken en vallend materiaal.

- \* **Gezichtsbeschermer**

Draag een gezichtsbeschermer om uw gezicht te beschermen tegen afval dat door het roterende snijwerktuig wordt weggeslingerd.

- \* **Oorbeschermers/oordopjes**

Draag oorbeschermers, oordopjes of andere gehoorbescherming om uw oren tegen het lawaai te beschermen.

- \* **Handschoenen**

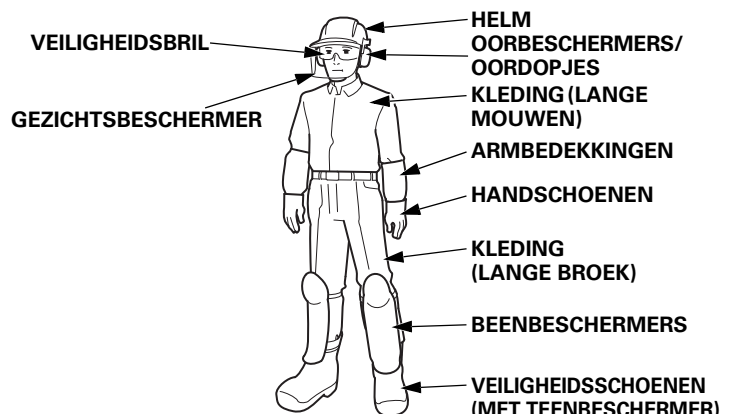
Draag handschoenen om uw handen te beschermen.

- \* **Veiligheidsschoenen**

Draag veiligheidsschoenen met antislipzool en teenbeschermer om uw voeten tegen weggeslingerd afval te beschermen. Werk niet blootsvoets of met open sandalen met de bosmaaier. Draag ook beenbeschermers.

- \* **Stofmasker**

We raden aan dat u een stofmasker draagt als u lijdt aan allergische rinitis zoals hooikoorts enz. Stofmaskers zijn verkrijgbaar bij apotheken en helpen de hoeveelheid ingeademde pollen te beperken.





- Controleer vóór elk gebruik de bosmaaier visueel, inclusief het snijwerktuig op schade en loszittende onderdelen.
- Gebruik de maaier nooit als er slecht weer dreigt, zoals onweer of storm. Stop in dat geval met maaien.
- Loop rustig tijdens het werken, ren niet.
- Werk niet met de bosmaaier op een steile helling. Steile hellingen zijn erg glad, zodat u naar beneden kunt glijden.
- Werk niet met de bosmaaier wanneer de beschermkap, stickers en andere onderdelen verwijderd zijn. Houd er rekening mee dat de beschermkap wordt meegeleverd om de gebruiker te beschermen tegen het afval dat door het roterende snijwerktuig wordt weggeslingerd. Werk nooit met de bosmaaier als de beschermkap is verwijderd of voordat de beschermkap stevig op de juiste plaats is gemonteerd.
- Monteer geen onjuiste onderdelen en knoei niet met de bosmaaier, omdat dit kan leiden tot persoonlijk letsel en/of schade aan de apparatuur. Gebruik het snijwerktuig dat voor uw model en toepassing is bedoeld.
- Controleer voordat u de motor start of het snijwerktuig niet in contact kan komen met de grond of een obstakel. Als u dat niet doet, kunt u de controle verliezen over de bosmaaier.
- Start de motor voorzichtig volgens de instructies en met de handen en voeten uit de buurt van het snijwerktuig.
- Start de bosmaaier op een vlakke ondergrond die vrij is van hoog gras of obstakels.
- Til tijdens het gebruik het snijwerktuig niet tot boven kniehoogte. U kunt in de ogen en het gezicht worden geraakt door afval dat door het roterende snijwerktuig wordt weggeslingerd en zo letsel oplopen.
- Draag de bosmaaier nooit terwijl het snijwerktuig draait. Voordat u de bosmaaier draagt moet u de motor stoppen en nakijken of het snijwerktuig is gestopt met draaien.
- Stop in de volgende gevallen de motor door de motorschakelaar in de UIT-stand te zetten:
  - Voor elke handeling die wordt uitgevoerd aan het snijwerktuig.
  - Voordat u begint met controle-, schoonmaak- of onderhoudswerkzaamheden aan de bosmaaier.
  - Nadat u met de maaier een vreemd voorwerp hebt geraakt. Controleer de bosmaaier op schade en herstel deze voordat u de bosmaaier herstart en weer gaat gebruiken.
  - Als de bosmaaier abnormaal begint te trillen. Controleer onmiddellijk de oorzaak van deze trillingen en neem deze weg door de noodzakelijke reparatie uit te (laten) voeren.
  - Wanneer u de bosmaaier onbeheerd achterlaat.
  - Voordat u brandstof bijvult.
  - Wanneer een persoon of huisdier in de buurt komt.
  - Schakel de motor onmiddellijk uit wanneer de bosmaaier plotseling abnormaal trilt. Plotselinge trillingen wijzen op beschadigde roterende onderdelen of loszittende bevestigingsonderdelen. Onderzoek de oorzaak van het probleem en start de motor niet voordat hij is gerepareerd.
  - Wanneer draden in het roterende snijwerktuig verstrikt raken en rondflapperen. Verwijder de draden nadat het snijwerktuig is gestopt met draaien.
  - Zorg ervoor dat het snijwerktuig ook is gestopt met draaien voordat u de bosmaaier op de grond plaatst. Houd er rekening mee dat het snijwerktuig door inertie nog even blijft draaien onmiddellijk nadat u de gashendelknop hebt losgelaten en de motor stationair draait.
- Verwijder regelmatig het gras en de takken die in het snijwerktuig zijn vastgeraakt (schakel in geval van een blokkering de motor uit en maak het gebied binnen het snijwerktuig of de beschermkap schoon).
- Controleer bij maaiers met een koppeling regelmatig of het snijwerktuig stopt met draaien wanneer de motor stationair draait.
- Zorg ervoor dat de handgrepen schoon en droog, vrij van olie en andere vervuiling zijn.
- De bosmaaier is defect wanneer de motor stationair draait nadat u de gashendel hebt losgelaten en het snijwerktuig blijft doordraaien. In dit geval moet het stationaire toerental worden bijgesteld. Raadpleeg uw onderhoudsdealer.
- Houd alle moeren, bouten en schroeven stevig aangedraaid om van een veilige werking van de bosmaaier te zijn verzekerd. Regelmatig onderhoud is een belangrijke voorwaarde voor de veiligheid van de gebruiker en voor goede prestaties van de maaier.
- Gebruik de bosmaaier niet met versleten of beschadigde onderdelen. Deze moeten worden vervangen of gerepareerd. Gebruik hiervoor uitsluitend originele Honda-onderdelen of een equivalent daarvan. Onderdelen van inferieure kwaliteit kunnen de maaier beschadigen en een gevaar vormen voor uw veiligheid.
- Pas de positie van de greep van uw bosmaaier aan. Zorg ervoor dat u de greeppositie aanpast wanneer de motor is gestopt. Stel het dubbele harnas zo af dat het snelontgrendelingsmechanisme zich ter hoogte van uw heup bevindt. Haak de bosmaaier aan het dubbele harnas. Pas de lengte van het dubbele harnas zodanig aan, dat het snijwerktuig zich evenwijdig aan de grond bevindt en op voldoende afstand boven de grond blijft. Houd er rekening mee dat het moeilijk kan zijn om de bosmaaier in de correcte positie te houden als u heel lang bent. Werk niet met de bosmaaier als het snijwerktuig zich dicht bij uw voeten bevindt wanneer u de bosmaaier in de correcte positie houdt.
- Controleer de balans van de bosmaaier tussen de voor- en achterzijde voor een juiste bediening en minder vermoeidheid. Houd de bosmaaier in de juiste positie zoals beschreven in deze handleiding. Verminder geleidelijk uw grip op de handgreep. Laat de handgreep niet los, maar houd deze met uw handen licht tegen en controleer of de afstand van het snijwerktuig tot de grond niet wezenlijk verandert. Het corrigeren van de balans is nodig als het snijwerktuig tot boven uw knieën komt. Werk niet met de bosmaaier zonder dat de balans is gecorrigeerd.
- Houd tijdens het werk de bosmaaier stevig met beide handen vast om de bosmaaier te allen tijde onder controle te houden.
- Letsel veroorzaakt door trillingen en kou:
  - U kunt een prikkeling of brandende pijn voelen in uw vingers en uw vingers kunnen hun kleur en gevoel verliezen, afhankelijk van uw fysieke gesteldheid. Deze symptomen worden toegeschreven aan trillingen en/of blootstelling aan kou. Het is niet precies bekend waar deze symptomen door worden veroorzaakt, maar de volgende instructies dienen te worden gevolgd.
    - Beperk de tijd die u per dag met de bosmaaier werkt. Een werkdag moet bestaan uit werk met de bosmaaier en ander werk zonder draagbare apparatuur, zodat u de tijd dat uw handen zijn blootgesteld aan machinetrillingen beperkt is.
    - Houd uw lichaam warm, vooral uw handen, polsen en armen.
    - Neem vaker een pauze en doe armoefeningen om voor een goede bloedsomloop te zorgen. Rook niet tijdens het werken.
    - Raadpleeg onmiddellijk uw arts als u ongemak voelt of als uw vingers rood worden en opzwellen en daarna wit en gevoelloos worden.
  - Als u voelt dat de bosmaaier overmatig trilt, laat uw bosmaaier dan nakijken bij uw onderhoudsdealer.
- Letsel veroorzaakt door intensief gebruik:
  - Langdurig intensief gebruik kan tot letsel leiden. Volg onderstaande instructies om de oorzaken van letsel te beperken.
    - \* Vermijd herhaaldelijk gebruik van uw pols(en) in een gebogen, gestrekte of gedraaide positie.
    - \* Neem regelmatig pauze om de gevolgen van herhaalde beweging te minimaliseren. Neem de tijd wanneer u herhaalde bewegingen uitvoert. Haast u niet tijdens het werken met de bosmaaier.
    - \* Raadpleeg uw arts als u een kloppend gevoel hebt in handen, polsen en/of armen of als die gevoelloos zijn.

## KINDERVEILIGHEID

- Houd kinderen binnenshuis en onder toezicht wanneer er een elektrische bosmaaier in de buurt wordt gebruikt. Jonge kinderen zijn watervlug en worden erg aangetrokken door bosmaaiers en maaiactiviteiten.
- Ga er nooit van uit dat kinderen zullen blijven waar u ze het laatst zag. Wees waakzaam en schakel de bosmaaier uit wanneer er kinderen in de buurt zijn.
- Kinderen mogen de bosmaaier nooit bedienen, zelfs niet onder toezicht van een volwassene.

## GEVAAR VOOR WEGGESLINGERDE VOORWERPEN

Voorwerpen die door het roterende snijwerktuig worden geraakt, kunnen met grote kracht worden weggeslingerd en ernstig letsel veroorzaken.

- Controleer grondig het gebied waar met de bosmaaier gewerkt gaat worden en verwijder alle voorwerpen (stenen, takken, draden, beenderen enz.) die door het roterende snijwerktuig kunnen worden weggeslingerd.

## BRAND- EN VERBRANDINGSGEVAAR

Benzine is zeer licht ontvlambaar en benzinedamp kan ontploffen. Wees uiterst voorzichtig wanneer u met benzine werkt. Houd benzine buiten het bereik van kinderen.

- Bewaar benzine alleen in daarvoor bedoelde jerrycans.
- Vul alleen buitenshuis brandstof bij en rook niet tijdens het bijvullen of het werken met brandstof.
- Vul brandstof bij voordat u de motor start. Draai nooit de tankdop van de tank als de motor draait of als deze nog warm is.
- Probeer niet de motor te starten als er benzine is gemorst. Verwijder de bosmaaier uit het gemorste gebied en vermijd ontstekingsbronnen totdat de benzinedampen zijn verdwenen.
- Draai alle doppen van brandstoftanks en jerrycans goed vast. Wanneer u de motor na het bijvullen van de brandstof start, doe dit dan op een afstand van ten minste 3 m van de bijvulplaats.
- Bewaar de bosmaaier nooit met een gevulde brandstoftank in een ruimte waar benzinedampen in aanraking kunnen komen met een vonk, open vuur of een bron van hoge temperatuur.
- Laat de motor altijd eerst afkoelen voordat u de maaier opbergt in een gesloten ruimte.
- Houd om het risico op brandgevaar te verminderen de bosmaaier - en vooral de motor, uitlaatdemper en de benzineopslagplaats - vrij van gras, bladeren en overtollig vet. Plaats geen bakken met plantaardig materiaal in of vlak bij de bergruimte.
- Wanneer u de benzinetank wilt legen, doe dit dan buiten terwijl de motor koud is.

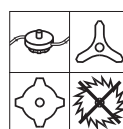
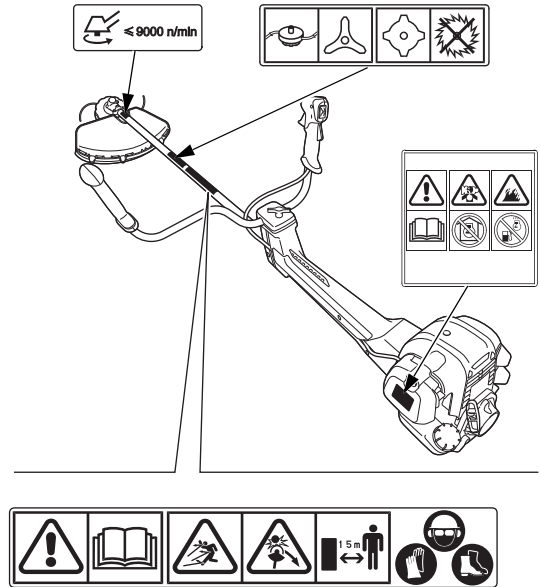
## GEVAAR VOOR KOOLMONOXIDEVERGIFTIGING

Uitlaatgassen bevatten het giftige koolstofmonoxide, een kleur- en geurloos gas. Het inademen van uitlaatgassen kan verlies van bewustzijn veroorzaken en tot de dood leiden.

- Als u de motor laat draaien in een gesloten of gedeeltelijk gesloten ruimte, kan de lucht die u inademt een gevaarlijke hoeveelheid uitlaatgassen bevatten. Zorg voor voldoende ventilatie om te voorkomen dat uitlaatgassen zich ophopen.
- Vervang een defecte uitlaatdemper.
- Laat de motor niet draaien in een gesloten ruimte waar gevaarlijke koolmonoxidedampen zich kunnen ophopen.

## LOCATIE VEILIGHEIDSTICKERS

Bij het gebruik van uw bosmaaier is altijd voorzichtigheid geboden. Daarom is de maaier voorzien van een aantal stickers met symbolen die wijzen op de belangrijkste risico's waar u rekening mee moet houden. Hun betekenis wordt uitgelegd in dit hoofdstuk. Deze stickers moeten worden beschouwd als onderdeel van de bosmaaier. Laat stickers die zijn losgeraakt of onleesbaar zijn geworden vervangen door uw onderhoudsdealer.



- Bosmaaiers van Honda zijn ontwikkeld om veilig en betrouwbaar te werken als er volgens de instructies mee wordt omgegaan. Lees de gebruikershandleiding zorgvuldig door en volg alle waarschuwingen en veiligheidsinstructies op. Als u dit niet doet, kan dit leiden tot persoonlijk letsel of schade aan de bosmaaier.

- Houd alle personen en huisdieren weg van de plaats waar u met de bosmaaier werkt.
- Een maaier die voorzien is van stalen snijgereedschap kan met grote kracht opzij worden geslingerd wanneer het snijgereedschap een vast voorwerp raakt. Houd personen en huisdieren op een afstand van ten minste 15 m van de bosmaaier wanneer deze in gebruik is, om onbedoeld contact met het roterende stalen snijgereedschap of met door het roterende stalen snijgereedschap weggeslingerde voorwerpen te voorkomen.

- Draag oog- en gehoorbescherming.
- Draag hoofdbescherming als er gevaar voor vallende voorwerpen bestaat.
- Draag antislipschoenen en handschoenen.

- De bosmaaier moet worden gebruikt met een nylondraad, een metalen snijhulpstuk of een cirkelzaagblad. Vervang bij het gebruik van de bosmaaier in combinatie met een cirkelzaagblad de standaard beschermkap door de optionele beschermkap voor cirkelzaagbladen. Gebruik geen cirkelzaagbladen in combinatie met de standaard beschermkap.



- Gebruik bij het vervangen van het stalen snijgereedschap een mes dat ontworpen is voor een maximale rotatiesnelheid van 9.000 n/min of hoger.



- Benzine is uiterst brandbaar en explosief. Schakel de motor uit en laat hem afkoelen voordat u brandstof bijvult.

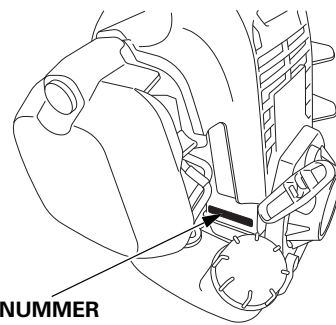


- De uitlaatgassen van de motor bevatten giftig koolmonoxidegas. Laat de motor niet draaien in een afgesloten ruimte.

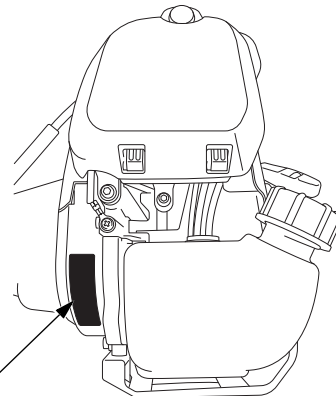


- Lees het instructieboekje voordat u de motor gebruikt.

## IDENTIFICATIE VAN DE MAAIER

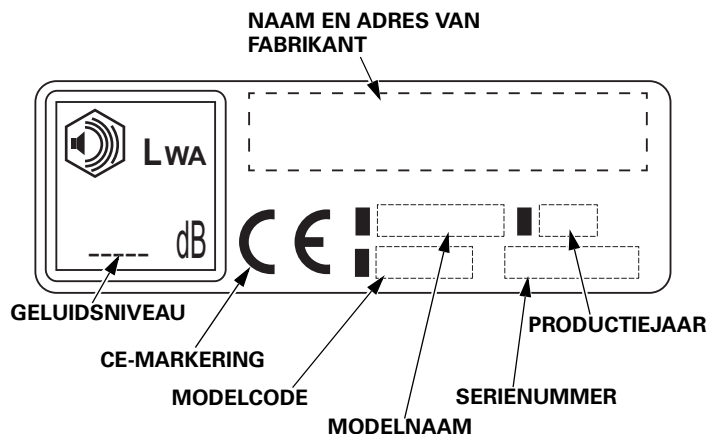


MOTORSERIENUMMER



IDENTIFICATIEPLAATJE

### IDENTIFICATIEPLAATJE



Noteer het frameserienummer, het motorserienummer en de aankoopdatum in de onderstaande velden. U hebt deze informatie nodig bij het bestellen van onderdelen en bij vragen over technische kwesties of over de garantie.

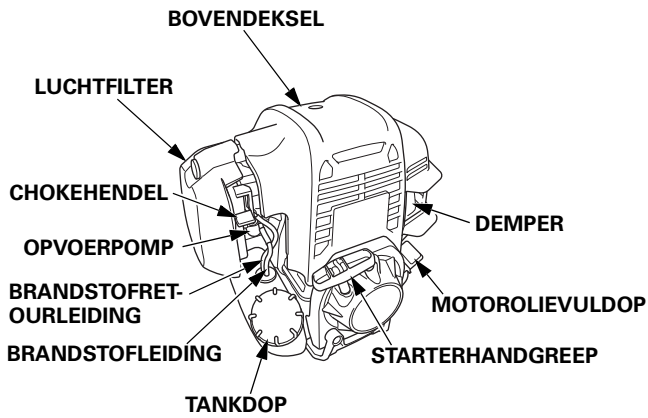
Frameserienummer

Motorserienummer

Aankoopdatum

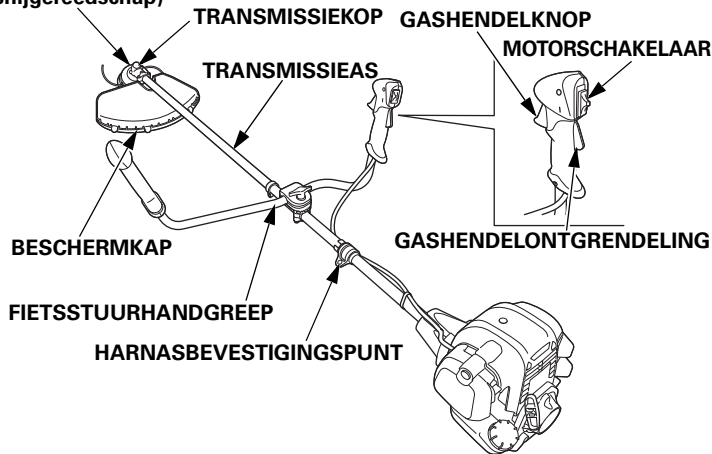
# IDENTIFICATIE VAN COMPONENTEN

## MOTOR (ALLE TYPEN):



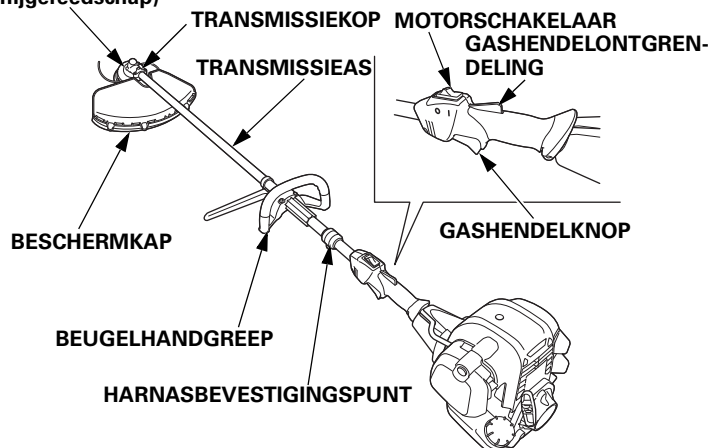
## FRAME (TYPE UEET):

FLEXIBEL SNIJGEREEDSCHAP (te vervangen door stalen snijgereedschap)



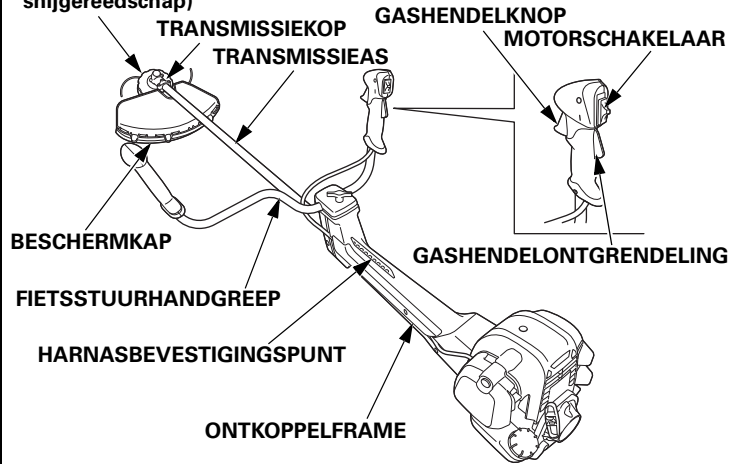
## FRAME (TYPE LEET):

FLEXIBEL SNIJGEREEDSCHAP (te vervangen door stalen snijgereedschap)

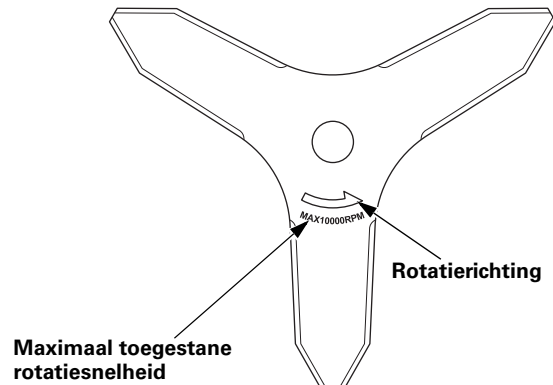


## FRAME (TYPE XEET):

FLEXIBEL SNIJGEREEDSCHAP (te vervangen door stalen snijgereedschap)

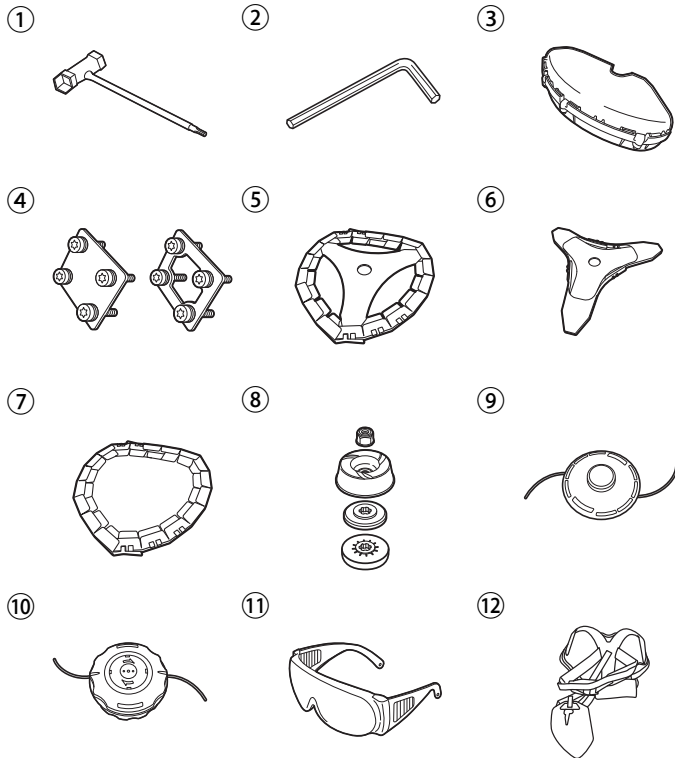


## BETEKENIS VAN DE MARKERING OP HET STALEN SNIJGEREEDSCHAP (3-TANDS):



## LOSSE ONDERDELEN

Raadpleeg de onderstaande afbeelding en controleer de meegeleverde onderdelen.



- ① 16 x 19 mm sleutel
- ② 4 mm inbussleutel
- ③ Beschermkap
- ④ Afstandhouder en vier bouten (links: typen UEET en LEET, rechts: type XEET)
- ⑤ Stalen snijgereedschap (3-tands) met kap (typen UEET en LEET)
- ⑥ Stalen snijgereedschap (3-tands) met kap (type XEET)
- ⑦ Snijgereedschapskap voor optioneel stalen snijgereedschap (type XEET)
- ⑧ Afstandhouder A, afstandhouder B, stabilisator en snijgereedschapsmoer (vanaf de onderkant)
- ⑨ Flexibel snijgereedschap (typen UEET en LEET)
- ⑩ Flexibel snijgereedschap (type XEET)
- ⑪ Veiligheidsbril
- ⑫ Dubbel harnas

## MONTAGE-INSTRUCTIES

Een juiste montage is essentieel voor de veiligheid van de gebruiker en de betrouwbaarheid van de bosmaaier. Elke fout of vergissing door degene die de bosmaaier monteert en onderhoudt kan leiden tot een foutieve werking, schade aan de maaier of letsel van de gebruiker.

### ⚠ WAARSCHUWING

**Een onjuiste montage kan een onveilige situatie veroorzaken die kan leiden tot ernstig letsel of de dood.**

**Volg de procedures en voorzorgsmaatregelen in de montage-instructies zorgvuldig op.**

### MOTOROLIE BIJVULLEN

De bosmaaier wordt afgeleverd ZONDER OLIE in de motor. Voeg de aanbevolen olie (pagina 31) toe tot aan de bovenrand. Zie pagina 31 voor het bijvullen van motorolie.

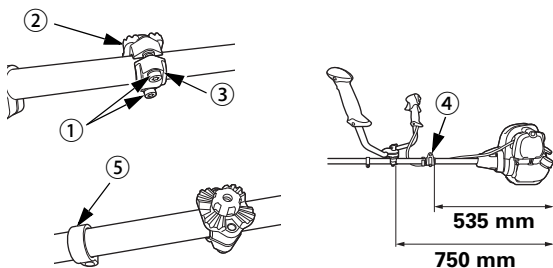
NB:

Wanneer u de motor met te weinig motorolie laat draaien, kan dit ernstige motorschade tot gevolg hebben. Voeg motorolie toe tot aan de bovenrand voordat u de bosmaaier gebruikt. Gebruik geen ongedoopte olie of tweetaktmotorolie. Deze oliën kunnen de levensduur van de motor verkorten.

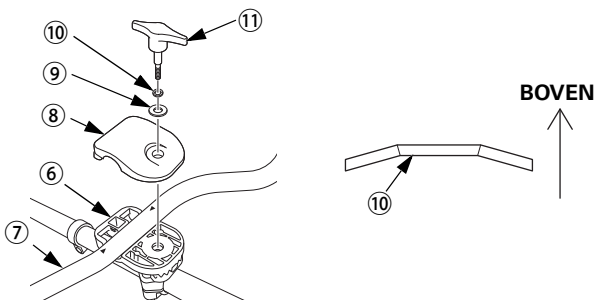
### MONTAGE VAN DE HANDGRIEP

#### Type UEET

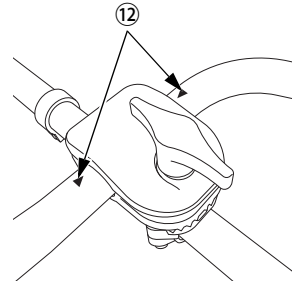
1. Draai twee bouten ① los. Schuif de handgreephouder B ② en de handgreephouder C ③ naar de standaardpositie (zie onderstaande afbeelding) en draai de twee bouten ① vast. Aanhaalmoment: 9,8 N·m (1,0 kgf·m). Controleer de positie van het harnasbevestigingspunt ④. De standaardposities worden getoond in de onderstaande afbeelding. De positie van de handgreephouder kan achteraf indien nodig worden aangepast. Om veiligheidsredenen mogen de handgreepstang en de handgreephouder niet voorbij de veiligheidskraag ⑤ worden gemonteerd.



2. Plaats de handgreephouder D ⑥ op de handgreephouder B ②. Plaats vervolgens de handgreepstang ⑦ op de handgreephouder D ⑤. Monteer de handgreephouder A ⑧, vlakke sluitring ⑨ en conische sluitring ⑩. Draai de handgreepstelbout ⑪ licht vast. Let op de richting van de conische sluitring. De bolle zijde is naar boven gericht.



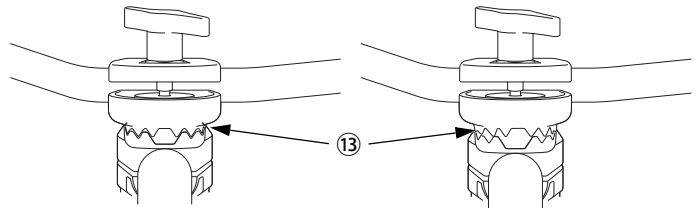
3. Pas de zijdelingse positie en de hoek van de handgreepstang aan. Twee pijlen ⑫ op de handgreepstang moeten zichtbaar zijn. Zie pagina 19 voor het aanpassen van de hoek van de handgreepstang.



4. Breng de kartelvlakken ⑬ correct aan en draai de stelbout ⑩ stevig vast.

Goed (kartelvlakken correct uitgelijnd)

Fout (kartelvlakken niet correct uitgelijnd)

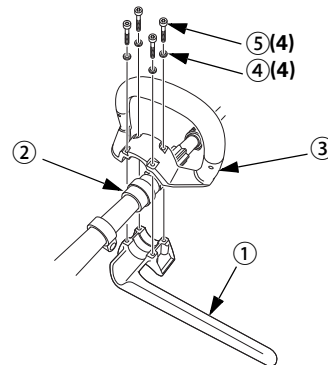


NB:

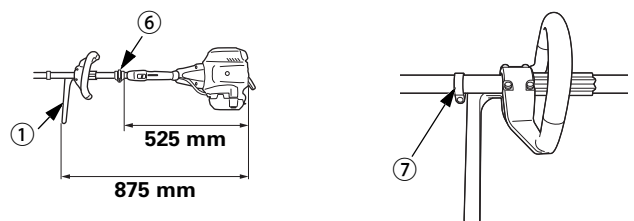
Let er bij het vastdraaien van de stelbout op dat de kartelvlakken correct zijn uitgelijnd. Als de stelbout wordt vastgedraaid met verkeerd uitgelijnde kartelvlakken, kan de stelbout breken.

#### Type LEET

1. Plaats de beschermer ① aan de onderzijde van het rubber ② op de transmissieas. Plaats de beugelhandgreep ③ aan de bovenzijde van het rubber ②. Monteer vier sluitingen ④ en vier bouten ⑤. Draai de vier bouten ⑤ licht vast. Aanhaalmoment: 1,8 N·m (0,2 kgf·m)



2. Controleer de positie van de beugelhandgreep ① en het bevestigingspunt ⑥. De standaardposities worden getoond in de onderstaande afbeelding. Pas indien nodig hun posities aan. De positie van de beugelhandgreep kan achteraf indien nodig worden aangepast. Om veiligheidsredenen mag de beugelhandgreep niet voorbij de veiligheidskraag ⑦ worden gemonteerd.

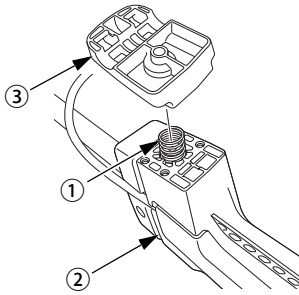


3. Draai de vier bouten ⑤ stevig vast.



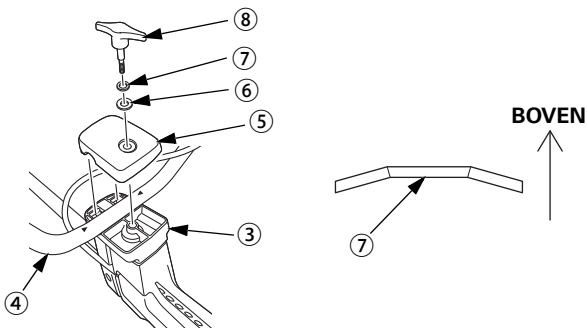
## Type XEET

1. Plaats de veer ① in het gat van het ontkoppelframe ②. Plaats vervolgens de handgreephouder B ③ op het ontkoppelframe ②.



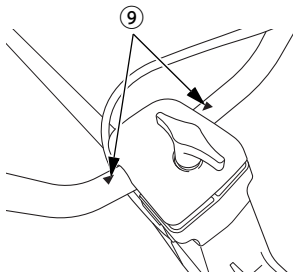
2. Plaats de handgreepstang ④ op de handgreephouder B ③. Monteer de handgreephouder A ⑤, vlakke sluitring ⑥ en conische sluitring ⑦. Draai de handgreepstambout ⑧ licht vast.

Let op de richting van de conische sluitring. De bolle zijde is naar boven gericht.



3. Pas de zijdelingse positie en de hoek van de handgreepstang aan. Twee pijlen ⑨ op de handgreepstang moeten zichtbaar zijn.

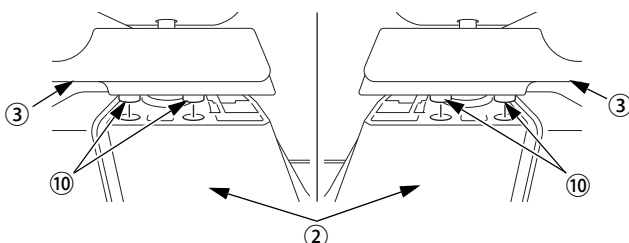
Zie pagina 19 voor het aanpassen van de hoek van de handgreepstang.



4. Duw licht op de handgreephouder A ⑤ en draai de handgreepstambout ⑧ stevig vast. Zorg dat de vier lippen ⑩ van de handgreephouder B ③ in de gaten van het ontkoppelframe ② vallen.

LINKERZIJDE

RECHTERZIJDE



## MONTAGE VAN HET SNIJWERKTUIG

### ▲ WAARSCHUWING

- Om ernstig persoonlijk letsel te voorkomen moet u ervoor zorgen dat de motorschakelaar in de UIT-stand staat om onbedoeld starten te voorkomen.
- Inspecteer om veiligheidsredenen het snijwerktuig op slijtage en beschadiging en controleer of het snijwerktuig goed is vastgedraaid voordat u de motor start. Het gebruik van de bosmaaier met een versleten, gescheurd of beschadigd snijwerktuig kan leiden tot persoonlijk letsel of schade aan de bosmaaier. Een versleten, gescheurd of beschadigd werktuig kan breken, waardoor stukken van het beschadigde werktuig de gebruiker of omstanders kunnen raken, met ernstig of dodelijk letsel tot gevolg.

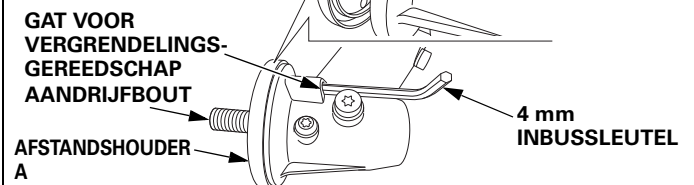
### VOORZICHTIG:

- Draag zware handschoenen om uw handen te beschermen wanneer u onderhoud uitvoert rond het snijwerktuig.

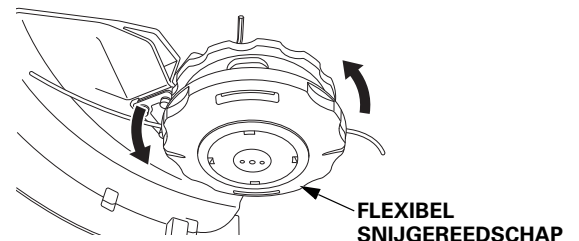
### Flexibel snijgereedschap

1. Zorg dat de afstandhouder A in de transmissiekop is gemonteerd.
2. Steek de 4 mm inbussleutel in het gat van de vergrendeling om te voorkomen dat de aandrijfbout meedraait.

Zorg dat de inbussleutel in het gat van de afstandhouder A valt



3. Draai het flexibele snijgereedschap linksom om het op de transmissiekop te monteren.



## Stalen snijgereedschap

### VOORZICHTIG:

- Om persoonlijk letsel te voorkomen, monteert u de snijgereedschapskap op het stalen snijgereedschap voordat u onderhoud rond het stalen snijgereedschap gaat verrichten.

Zie pagina 14 voor het monteren van de snijgereedschapskap.

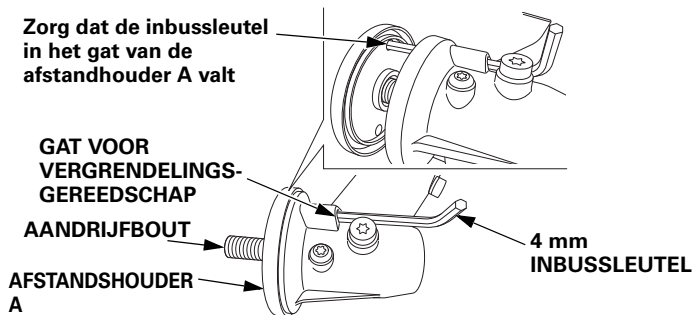
Specificaties stalen snijgereedschap (3-tands):

Typen UEET, LEET: Diameter 255 mm, 3-tands mes, maximale rotatiesnelheid is minder dan  $10.000 \text{ min}^{-1}$  (tpm)

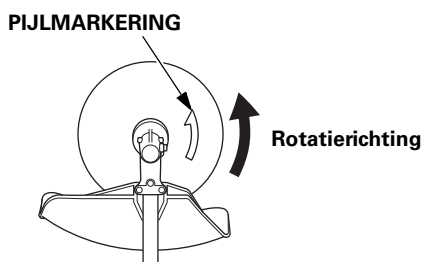
Type XEET: Diameter 303 mm, 3-tands mes, maximale rotatiesnelheid is minder dan  $10.000 \text{ min}^{-1}$  (tpm)

Neem voor optioneel stalen snijgereedschap contact op met uw onderhoudsdealer.

1. Steek de 4 mm inbussleutel in het gat van de vergrendeling om te voorkomen dat de aandrijfbout meedraait.



2. Monteer het stalen snijgereedschap. Zorg ervoor dat de nok van de afstandhouder A is uitgelijnd met het gat van het snijgereedschap. Controleer de pijlmarkering op het stalen snijgereedschap en monteer het in de juiste richting.



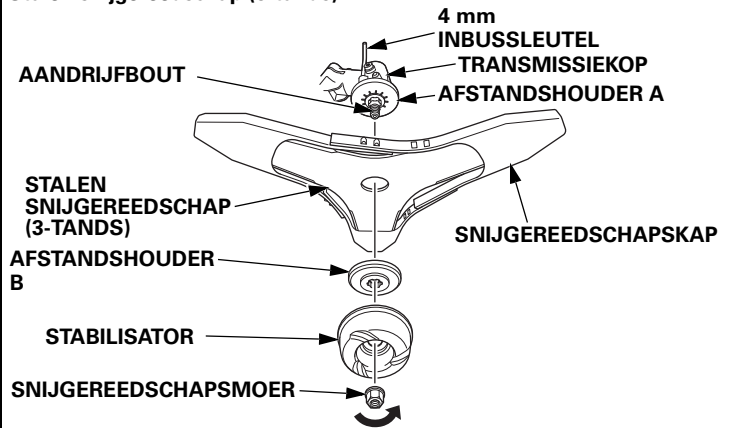
3. Monteer de afstandhouder B, de stabilisator en de snijgereedschapsmoer. Zet de snijgereedschapsmoer vast met het voorgeschreven aanhaalmoment. De aandrijfbout en de snijgereedschapsmoer hebben linkse schroefdraad. Draai ze linksom voor montage.

Aanhaalmoment van de snijgereedschapsmoer:

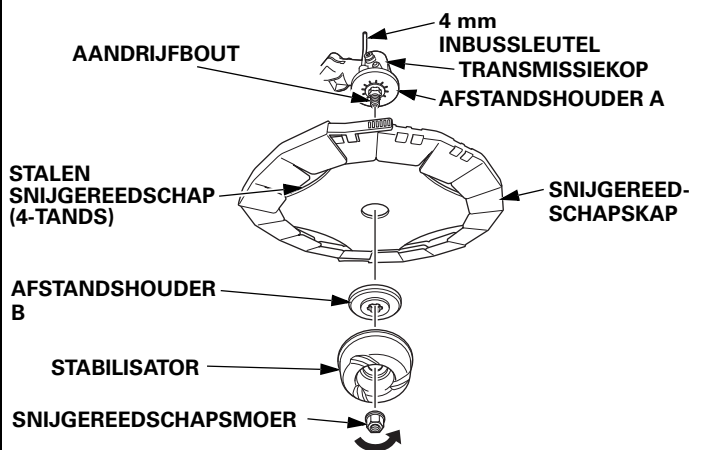
UEET, LEET: 19,2 N·m (1,9 kgf·m)

XEET: 29,0 N·m (3,0 kgf·m)

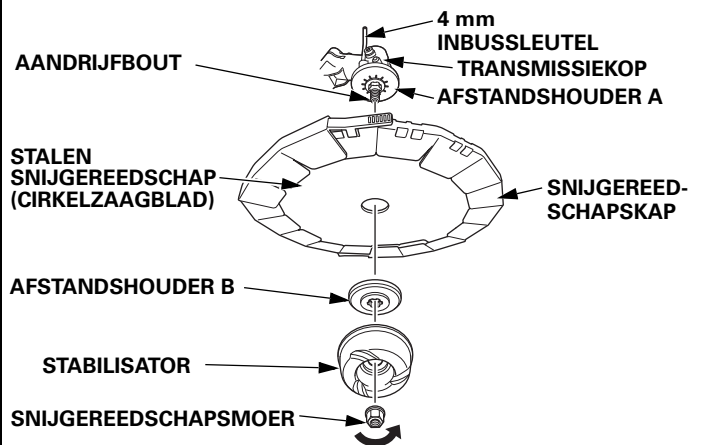
### Stalen snijgereedschap (3-tands):



### Optioneel stalen snijgereedschap (4-tands):



### Optioneel stalen snijgereedschap (cirkelzaagblad):



### ⚠ WAARSCHUWING

- Gebruik het stalen snijgereedschap (cirkelzaagblad) alleen bij de typen UEET en XEET. Gebruik het nooit bij het type LEET. Het type LEET is niet ontworpen voor gebruik met het stalen snijgereedschap (cirkelzaagblad), waardoor het gebruik van het type LEET met het stalen snijgereedschap (cirkelzaagblad) een onverwacht ongeval kan veroorzaken.
  - Monteer het stalen snijgereedschap (cirkelzaagblad) nooit in de verkeerde richting. Controleer bij het monteren de pijlmarkering op het stalen snijgereedschap (cirkelzaagblad) en monteer het in de juiste richting.
  - Het stalen snijgereedschap (cirkelzaagblad) moeten samen met de optionele beschermkap worden gemonteerd (zie pagina 11).
4. Draai na het vastzetten van de snijgereedschapsmoer het stalen snijgereedschap met de hand rond en controleer of dit goed in het midden is gemonteerd. Controleer of het stalen snijgereedschap niet excentrisch is of enig aangrenzend onderdeel raakt.

## MONTAGE VAN DE BESCHERMKAP

### ⚠ WAARSCHUWING

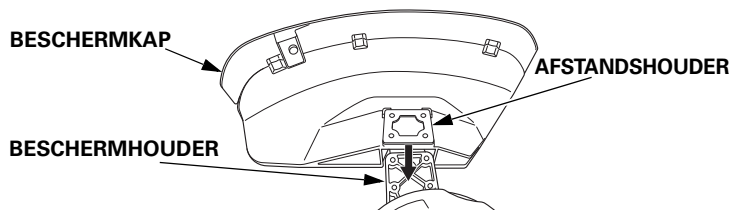
- Monteer de beschermkap in de juiste positie om u te beschermen tegen het afval dat door het roterende snijwerktuig wordt weggeslingerd.
- Gebruik de bosmaaier nooit zonder de beschermkap. Stenen en andere vreemde voorwerpen die door het roterende snijwerktuig of door contact met het roterende snijwerktuig weg worden geslingerd, kunnen lichamelijk letsel of materiële schade veroorzaken.

### VOORZICHTIG:

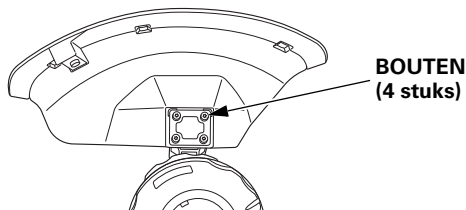
- Draag zware handschoenen om uw handen te beschermen wanneer u onderhoud uitvoert rond het snijwerktuig.

### Standaard beschermkap voor stalen snijgereedschap (3-tands en 4-tands) en flexibel snijgereedschap:

1. Plaats de afstandhouder op de beschermkap. Bevestig ze vervolgens aan de beschermhouder op de transmissiekop.



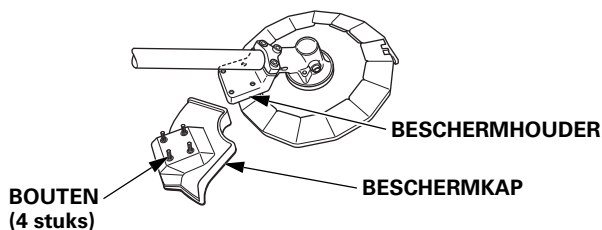
2. Monteer de vier bouten. Zet ze stevig vast met de Torx-sleutelzijde van de 16 x 19 mm sleutel. Aanhaalmoment van de bout: 5,5 N·m (0,6 kgf·m)



Het onderste deel van de beschermkap moet worden verwijderd bij gebruik van het stalen snijgereedschap (3-tands en 4-tands). Zie pagina 16 voor het verwijderen.

### Optionele beschermkap voor stalen snijgereedschap (cirkelzaagblad):

Bevestig de beschermkap aan de beschermhouder op de transmissiekop. Monteer de afstandhouder en de vier bouten. Zet ze vast met de Torx-sleutelzijde van de 16 x 19 mm sleutel. Aanhaalmoment van de bout: 5,5 N·m (0,6 kgf·m) Standaard afstandhouder en bouten kunnen worden gebruikt.

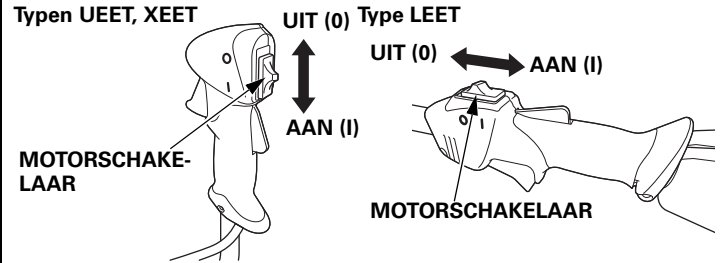


## BEDIENINGSELEMENTEN EN COMPONENTEN

### MOTORSCHAKELAAR

De motorschakelaar schakelt het ontstekingsysteem in en uit. De motorschakelaar moet in de AAN-stand staan om de motor te kunnen starten.

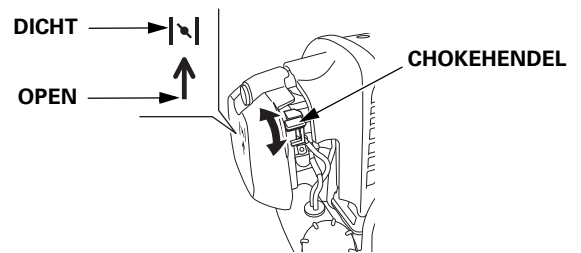
Als de motorschakelaar in de UIT-stand wordt gezet, stopt de motor.



### CHOKEHENDEL

De chokehendel opent en sluit de chokeklep in de carburateur. De stand DICHT zorgt voor verrijking van het brandstofmengsel om een koude motor te kunnen starten.

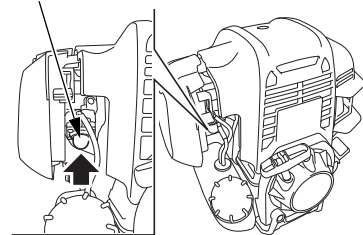
De stand OPEN zorgt voor het juiste brandstofmengsel na het starten en bij het opnieuw starten van een warme motor.



### OPVOERPOMP

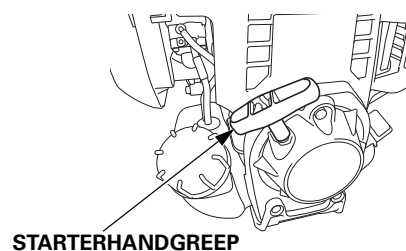
Door op de knop van de opvoerpomp te drukken wordt de benzine vanuit de brandstoftank naar de carburateur gevoerd. Deze procedure is nodig om de motor te kunnen starten.

### OPVOERPOMP



### STARTERHANDGREEP

Door aan de startergreep te trekken wordt de repeteerstarter voor het starten van de motor bediend.



## GASHENDELKNOP

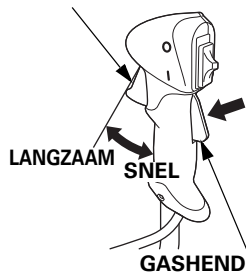
De gashendelknop regelt het motortoerental. Door de hieronder getoonde gashendelknop in te drukken of los te laten gaat de motor sneller of langzamer draaien.

De gashendelontgrendeling maakt bediening van de gashendelknop mogelijk. De gashendelknop kan pas worden bediend nadat de gashendelontgrendeling is ingedrukt.

Door de gashendelknop geleidelijk in te drukken neemt het motortoerental toe en begint het snijwerktuig te draaien. Druk de gashendelknop verder in om het motortoerental en de snijrotatiesnelheid te verhogen. Door de gashendelknop los te laten daalt het motortoerental en blijft het snijwerktuig door inertie nog even draaien, waarna het stopt.

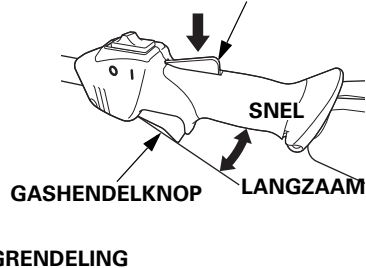
### Typen UEET, XEET

#### GASHENDELKNOP



### Type LEET

#### GASHENDELONTGREDELING



## HARNASBEVESTIGINGSPUNT MET HAAK

Doe het dubbele harnas om bij gebruik van de bosmaaier (zie pagina 20) en maak de haak vast aan het harnasbevestigingspunt.

### ⚠ WAARSCHUWING

- Doe altijd het dubbele harnas om voordat u de bosmaaier gebruikt. Anders kan er letsel ontstaan als gevolg van instabiliteit.
- Voor de veiligheid en het comfort van de gebruiker is het belangrijk om de harnasriemen zo af te stellen, dat ze comfortabel kunnen worden gedragen en dat de maaier in de werkpositie goed in balans is.

### Typen UEET, LEET:

Het harnasbevestigingspunt heeft één gat om de haak aan te bevestigen. Om de bosmaaier los te maken van de haak drukt u de hendel op de haak in en ontkoppelt u het harnasbevestigingspunt van de haak.

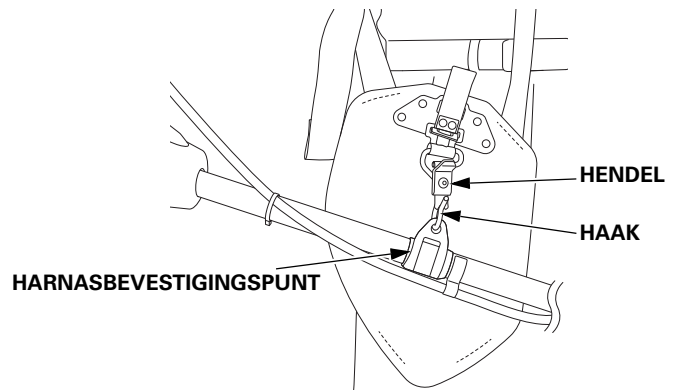
### Type XEET:

Het harnasbevestigingspunt heeft negen gaten om de haak aan te bevestigen. U kunt kiezen welk gat van het harnasbevestigingspunt u gebruikt om de haak aan te bevestigen voor een juiste balans.

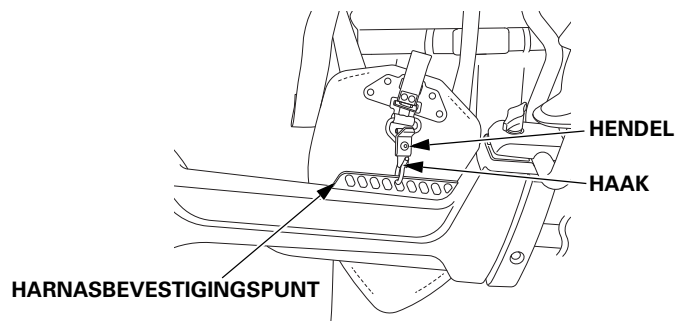
Om de bosmaaier los te maken van de haak drukt u de hendel op de haak in en ontkoppelt u het harnasbevestigingspunt van de haak.

Zie pagina 19 om de bosmaaier in balans te brengen wanneer deze aan de haak is bevestigd.

### Typen UEET, LEET



### Type XEET



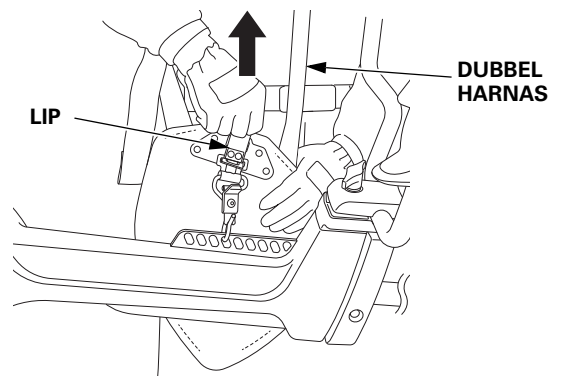
## SNELONTGREDELINGSMECHANISME

NB:

- Wanneer het snelontgrendelingsmechanisme wordt gebruikt om de bosmaaier los te maken, kan de bosmaaier vallen. Wanneer u de werking van het snelontgrendelingsmechanisme controleert, bevestig de bosmaaier dan niet aan de haak op het taillekussen om te voorkomen dat de bosmaaier valt en beschadigd raakt.

De lip van het snelontgrendelingsmechanisme is bedoeld om de bosmaaier in geval van nood van uw lichaam los te maken. Trek de lip van het snelontgrendelingsmechanisme omhoog en duw de bosmaaier weg om de bosmaaier los te maken van het dubbele harnas.

Na het losmaken van de bosmaaier door het snelontgrendelingsmechanisme blijft de haak bevestigd aan het harnasbevestigingspunt. Bevestig de haak aan het taillekussen na gebruik van de snelontgrendeling.

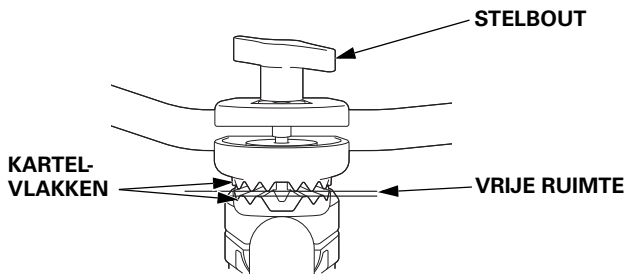


## HANDGREEPSTANG INKLAPPEN (ALLEEN TYPEN UEET EN XEET)

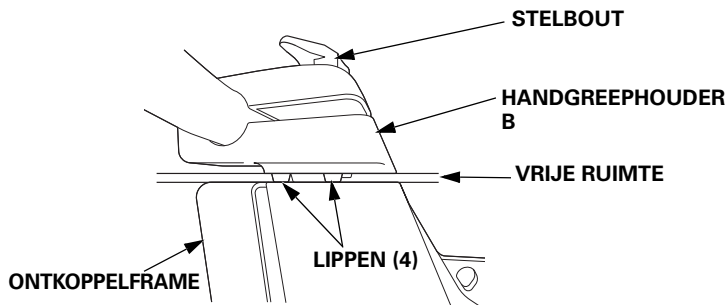
De handgreepstang kan worden ingeklapt voor opslag en transport.

1. Draai de stelbout 6 - 7 slagen los.
2. (Type UEET) Zorg dat er voldoende ruimte tussen de kartelvlakken is.  
(Type XEET) Zorg dat de lippen op de handgreephouder B niet in de gaten van het ontkoppelframe vallen.

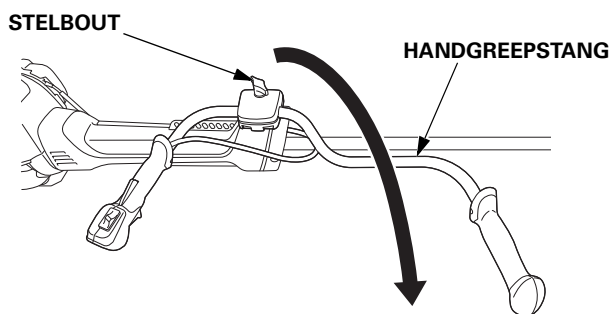
### Type UEET



### Type XEET



3. Draai de handgreephouder 90 graden en klap de handgreepstang naar links of rechts. Pas op dat u de handgreepstang niet meer dan 90 graden omklapt.

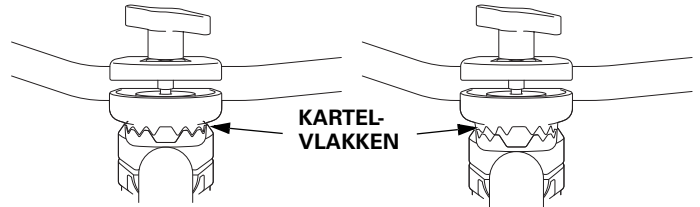


4. (Type UEET) Lijn de kartelvlakken correct uit en draai de stelbout vast.  
(Type XEET) Draai de stelbout vast. Houd er rekening mee dat de vrije ruimte tussen de handgreephouder B en het ontkoppelframe blijft bestaan, ook na het vastdraaien van de stelbout.

### Alleen type UEET:

Goed (kartelvlakken correct uitgelijnd)

Fout (kartelvlakken niet correct uitgelijnd)



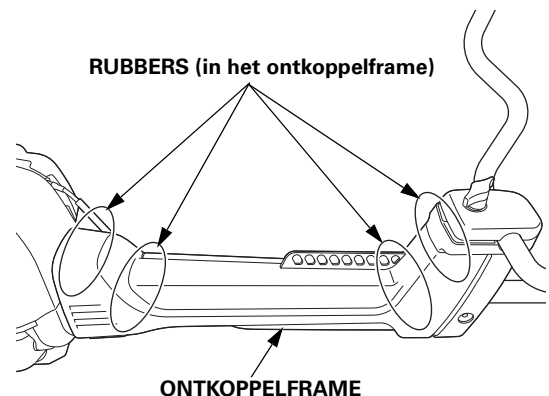
### NB:

Let er bij het vastdraaien van de stelbout op dat de kartelvlakken correct zijn uitgelijnd. Als de stelbout wordt vastgedraaid met verkeerd uitgelijnde kartelvlakken, kan de stelbout breken.

### ANTITRILSYSTEEM (ALLEEN TYPE XEET)

Het antitrilsysteem in het ontkoppelframe vermindert de trillingen in de handgreep. Het ontkoppelframe wordt ondersteund door rubbers die bij het handgreephoudergedeelte en het koppelingshuis zijn gemonteerd.

Als u voelt dat er overmatige trillingen optreden bij de bedieningsgreep, neem dan contact op met uw onderhoudsdealer.





## CONTROLES VOOR GEBRUIK

Voer altijd controles vóór het gebruik uit om veilig en efficiënt te kunnen maaien.

### ▲ WAARSCHUWING

- Elk onderdeel van de maaier levert mogelijk gevaar op als de maaier in abnormale omstandigheden wordt gebruikt of als de maaier niet correct wordt onderhouden.
- Voer de controles voor het gebruik uit op een stevig, horizontaal oppervlak met het snijwerktuig gestopt en zorg ervoor dat de motorschakelaar in de UIT-stand staat.

Inspecteer voor elk gebruik de ruimte rond en onder de motor op sporen van olie- of benzinelekkage.

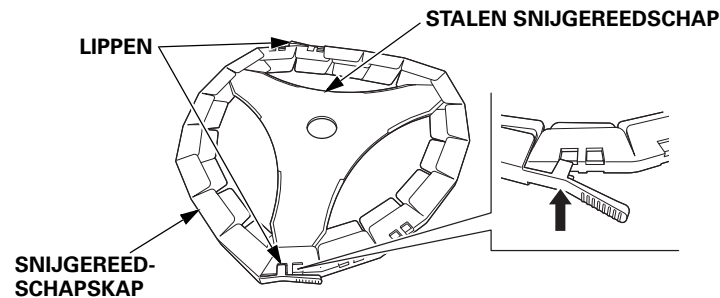
### DE BESCHERMKAP REINIGEN

Verwijder voor elk gebruik vuil, gras en andere vreemde voorwerpen van de beschermkap.

### DE SNIJGEREEDSCHAPSKAP MONTEREN

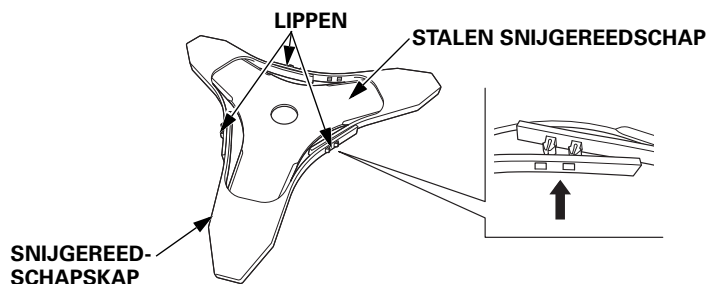
**Stalen snijgereedschap (3-tands) voor typen UEET en LEET**  
**Stalen snijgereedschap (4-tands en cirkelzaag) voor typen UEET, LEET en XEET**

Maak de lip los en breng de snijgereedschapskap over de uiteinden van het stalen snijgereedschap aan, zodat de uiteinden van het stalen snijgereedschap volledig bedekt zijn met de snijgereedschapskap. Zet de lippen goed vast.



**Stalen snijgereedschap (3-tands) voor type XEET**

Breng de snijgereedschapskappen over de uiteinden van het stalen snijgereedschap aan (3-tands). Zorg ervoor dat de uiteinden van het stalen snijgereedschap (3-tands) volledig bedekt zijn met de snijgereedschapskappen. Zet de lippen goed vast.



## DE MOTOROLIE CONTROLEREN

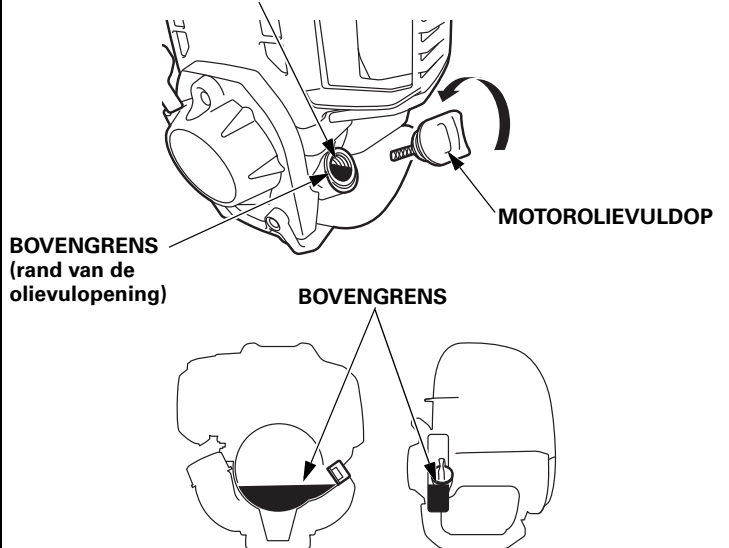
NB:

- Als de motor draait met een te laag oliepeil, kan er ernstige motorschade ontstaan.
- Het gebruik van ongedoopte olie of tweetaktmotorolie kan de levensduur van de motor verkorten.

1. Plaats de bosmaaier op een vlak oppervlak en verwijder de olievuldop.
2. Controleer het oliepeil: het moet zich bij de rand van de olievulopening bevinden. Controleer de motorolie op vervuiling en veroudering.
3. Als het oliepeil te laag is, vul dan bij met de aanbevolen olie (zie pagina 31) tot de bovengrens (rand van de olievulopening). Ververs de olie als deze vervuild of verouderd is (zie pagina 31).
4. Breng de olievuldop weer aan.

Controleer het motoroliepeil elke 10 uur en vul olie bij tot de bovenrand van de olievulopening als de motor continu gedurende meer dan 10 uur wordt gebruikt.

### OLIEVULOPENING



Was uw handen met water en zeep na het werken met gebruikte olie.



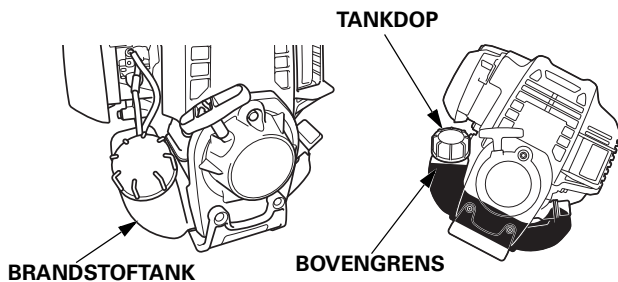
## HET BRANDSTOFNIVEAU CONTROLEREN

Gebruik loodvrije benzine E10 met een research-octaangetal van 91 of hoger (een pompoctaangetal van 86 of hoger). Vereiste brandstofsificatie(s) om een goede werking van het emissieregelsysteem te waarborgen: E10-brandstof zoals vastgelegd in de desbetreffende EU-richtlijnen. Gebruik nooit oude of vervuilde benzine of benzine waaraan olie is toegevoegd. Zorg dat er geen vuil of water in de brandstoftank terechtkomt.

### ▲ WAARSCHUWING

- **Benzine is uiterst ontvlambaar en is explosief onder bepaalde omstandigheden.**
- **Vul de brandstoftank bij in een goed geventileerde omgeving met de motor uitgeschakeld. Rook niet en voorkom vlammen en vonken in het gebied waar de tank wordt bijgevuld en waar benzine is opgeslagen.**
- **Doe niet te veel brandstof in de tank (er mag zich geen brandstof in de tankvulhals bevinden). Draai de tankdop na het bijvullen stevig vast.**
- **Pas op dat u geen brandstof morst tijdens het bijvullen. Gemorste brandstof of brandstofdamp kan ontbranden. Als er brandstof is gemorst, zorg er dan voor dat het gebied weer droog is voordat u de motor start.**
- **Vermijd herhaaldelijk of langdurig contact met de huid of inademing van dampen.**
- **BUITEN BEREIK VAN KINDEREN HOUDEN.**

1. Controleer het brandstofniveau visueel vanaf de buitenzijde van de brandstoftank. Let erop dat de vulhals hierbij rechtop wordt gehouden.



2. Vul de brandstoftank bij tot het aangegeven niveau als het brandstofniveau te laag is. Draai de dop van de brandstoftank langzaam open, zodat eventuele overdruk in de tank langzaam kan ontsnappen. Er kan brandstof uit de brandstoftank naar buiten spuiten als de tankdop snel wordt verwijderd. Zet de motor tijdens het bijvullen op een vlakke ondergrond. Gebruik een trechter en een slang voor het bijvullen. Veeg vuil van de tankdop om te voorkomen dat er vuil in de brandstoftank komt.

Inhoud brandstoftank: 630 cm<sup>3</sup> (0,63 l)

3. Breng na het bijvullen de tankdop aan en draai deze stevig vast.

NB:

Benzine kan zeer snel verouderen, afhankelijk van factoren zoals temperatuur, tijd en blootstelling aan licht. In het ergste geval kan benzine al binnen 30 dagen verouderd en daardoor vervuild zijn.

Het gebruik van vervuilde benzine kan de motor ernstig beschadigen (verstopte carburateur, vastzittende klep).

Dergelijke schade door verouderde brandstof valt niet onder de garantie.

Volg onderstaande aanbevelingen strikt op om dat te voorkomen:

- Gebruik uitsluitend de voorgeschreven benzine.
- Gebruik verse en schone benzine.
- Bewaar benzine in een gecertificeerde jerrycan om de veroudering te vertragen.
- Als langdurige opslag (meer dan 30 dagen) wordt verwacht, tap dan de brandstoftank en de carburateur af (zie pagina 33).

Benzinevervangers worden niet aanbevolen; ze kunnen schadelijk zijn voor de onderdelen van het brandstofsysteem.

## Benzine met alcohol

Wanneer u benzine vermengd met alcohol (gasohol) wilt gebruiken, controleer dan of het octaangetal ten minste even hoog is als door Honda wordt voorgeschreven. Er bestaan twee soorten "gasohol": één waarin ethanol is bijgemengd en één waarin methanol is bijgemengd. Gebruik geen benzine die meer dan 10% ethanol bevat (E10).

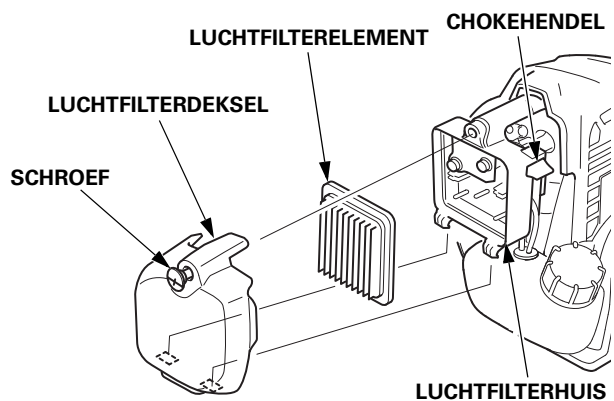
Gebruik geen benzine met methanol (methylalcohol) die geen additieven en corrosievertragers voor methanol bevat.

NB:

- Schade aan het brandstofsysteem of vermogensverlies van de motor voortkomend uit het gebruik van benzine die meer alcohol bevat dan toegestaan, worden niet gedekt door de garantie.
- Controleer alvorens benzine te kopen bij een onbekende leverancier of de benzine alcohol bevat. Is dit het geval, ga dan na welk type alcohol het betreft en wat het percentage is. Als u bij het gebruik van een specifieke benzine symptomen opmerkt die duiden op een verminderde motorwerking, schakel dan over op het gebruik van een benzine waarvan u zeker weet dat deze minder alcohol bevat dan maximaal is toegestaan.

## HET LUCHTFILTER CONTROLEREN

1. Zet de chokehendel in de stand DICHT (omhoog).
2. Draai de schroef los en verwijder het luchtfilterdeksel van het luchtfilterhuis.
3. Controleer het luchtfilterelement op vuil of verstopping. Reinig het luchtfilterelement als het vuil is (zie pagina 31). Vervang het luchtfilterelement als het sterk vervuild is.
4. Plaats het luchtfilterelement weer terug.
5. Plaats het luchtfilterdeksel terug en draai de schroef stevig vast.



NB:

Laat de motor nooit draaien zonder het luchtfilter, omdat dit leidt tot snelle motorslijtage.

## DE WERKING VAN DE GASHENDELKNOP CONTROLEREN

Controleer of de gashendelknop soepel werkt en altijd terugveert naar de ruststand.

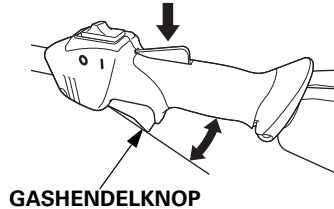
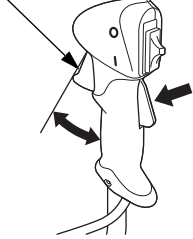
Als deze niet soepel werkt, controleer dan de speling van de gaskabel en pas deze aan. Raadpleeg uw onderhoudsdealer voor de onderhoudswerkzaamheden.

Gebruik de bosmaaier niet als de knop niet terugveert naar de ruststand. Neem contact op met uw onderhoudsdealer.

Typen UEET, XEET

Type LEET

GASHENDELKNOP



## DE BESCHERMKAP CONTROLEREN / HET ONDERSTE DEEL VAN DE BESCHERMKAP VERWIJDEREN EN BEVESTIGEN

### ▲ WAARSCHUWING

- Gebruik de bosmaaier nooit zonder de beschermkap. Stenen en andere vreemde voorwerpen die door het roterende snijwerktuig of door contact met het roterende snijwerktuig weg worden geslingerd, kunnen lichamelijk letsel of materiële schade veroorzaken.

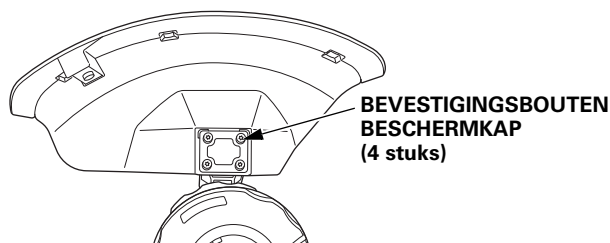
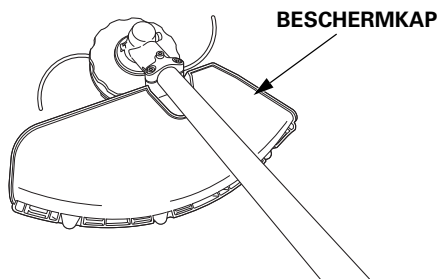
### VOORZICHTIG:

- Draag zware handschoenen om uw handen te beschermen wanneer u onderhoud uitvoert rond het snijwerktuig.
- Om persoonlijk letsel te voorkomen, monteert u de snijgereedschapskap op het stalen snijgereedschap voordat u onderhoud rond het stalen snijgereedschap gaat verrichten.

Zie pagina 14 voor het monteren van de snijgereedschapskap.

### De beschermkap controleren

1. Stop de motor door de motorschakelaar in de UIT-stand te zetten.
2. Inspecteer de beschermkap om er zeker van te zijn dat deze correct is gemonteerd en niet is beschadigd. Als de beschermkap beschadigd is, vervang deze dan voordat u met de bosmaaier gaat werken.
3. Controleer of de bevestigingsbouten van de beschermkap niet loszitten. Draai de bouten indien nodig vast.
4. Houd de positie en richting van de beschermkap aan zoals hieronder.



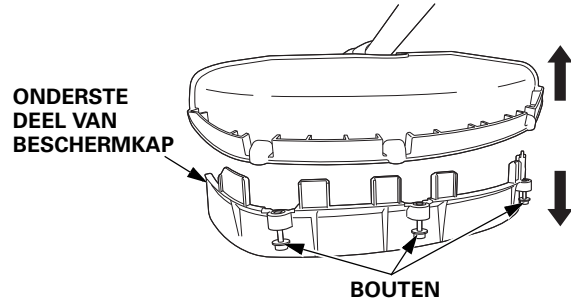
## Het onderste deel van de beschermkap verwijderen en bevestigen

Wanneer u de bosmaaier met het stalen snijgereedschap (3-tands of 4-tands) gebruikt, verwijder dan het onderste deel van de beschermkap.

Breng het onderste deel van de beschermkap aan wanneer u het flexibele snijgereedschap gebruikt.

Verwijderen (voor gebruik van stalen snijgereedschap (3-tands of 4-tands)):

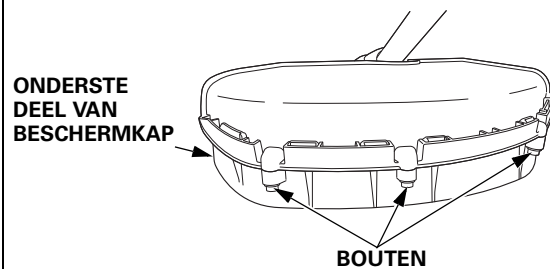
Maak de drie bouten los en verwijder vervolgens het onderste deel van de beschermkap.



Bevestigen (voor gebruik van flexibel snijgereedschap):

Bevestig de twee delen van de beschermkap op elkaar en zet ze vast met de klemmen.

Monteer de drie bouten en draai ze stevig vast.



## DE TRANSMISSIEKOP CONTROLEREN

### ⚠ WAARSCHUWING

- Om ernstig persoonlijk letsel te voorkomen moet u ervoor zorgen dat de motorschakelaar in de UIT-stand staat om onbedoeld starten te voorkomen.
- Controleer om veiligheidsredenen de transmissiekop op slijtage en beschadiging voordat u de motor start.

### VOORZICHTIG:

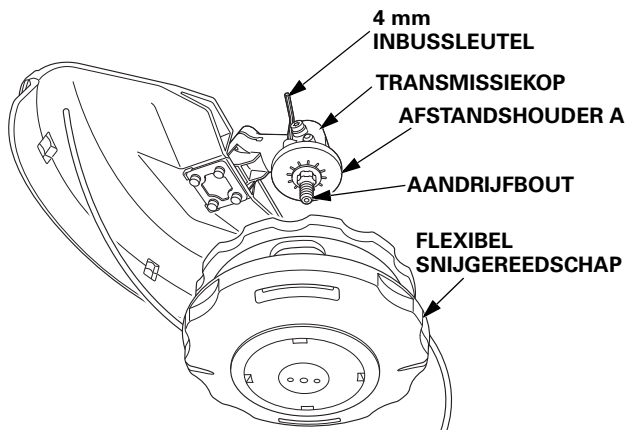
- Draag zware handschoenen om uw handen te beschermen wanneer u onderhoud uitvoert rond het snijwerktuig.
- Om persoonlijk letsel te voorkomen, monteert u de snijgereedschapskap op het stalen snijgereedschap voordat u onderhoud rond het stalen snijgereedschap gaat verrichten.

Zie pagina 14 voor het monteren van de snijgereedschapskap.

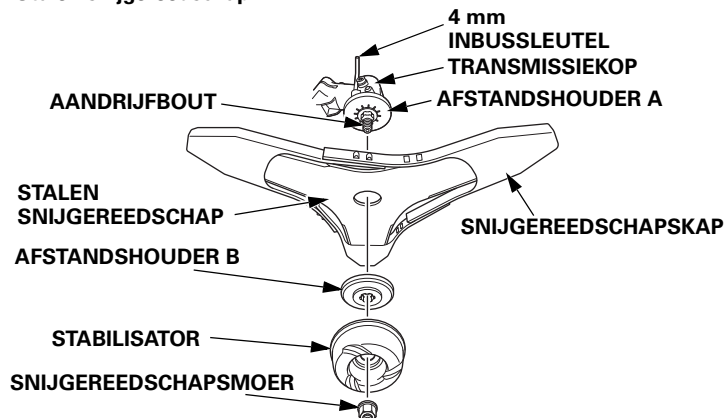
### De transmissiekop inspecteren

1. Stop de motor door de motorschakelaar in de UIT-stand te zetten.
2. Controleer of er gras of draad verstrikt is geraakt tussen de afstandhouder A en het snijwerktuig. Verwijder deze als dat het geval is.
3. Controleer na het verwijderen van het gras of draad of zich verontreinigd materiaal zoals modder of vuil tussen de transmissiekop en de afstandhouder A bevindt. Verwijder in dat geval het snijwerktuig (zie pagina 28) en reinig de transmissiekop. Voer tijdens het reinigen tegelijkertijd "De aandrijfbout inspecteren" uit.

#### Flexibel snijgereedschap:



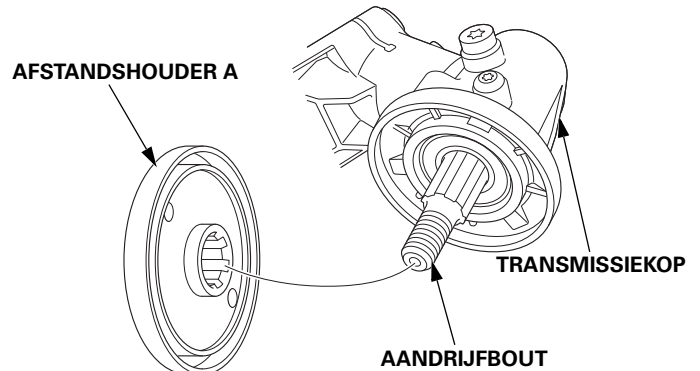
#### Stalen snijgereedschap:



## De transmissiekop reinigen

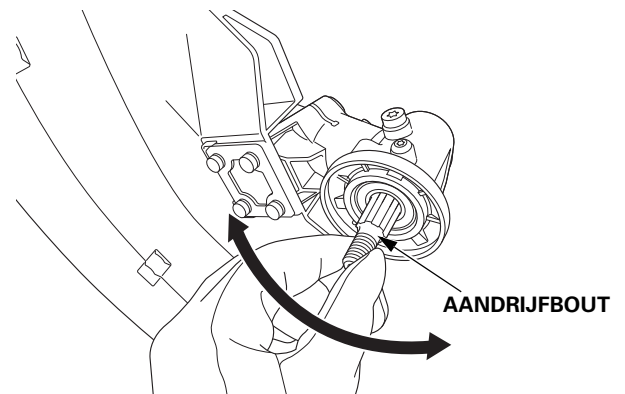
Als zich verontreinigd materiaal zoals gras, draad, modder of vuil tussen de transmissiekop en de afstandhouder A bevindt, reinig deze dan aan de hand van de volgende procedure.

1. Stop de motor door de motorschakelaar in de UIT-stand te zetten.
2. Verwijder het snijwerktuig. (zie pagina 28)
3. Verwijder de afstandhouder A.
4. Verwijder gras, draad, modder of vuil rond de afstandhouder A en de aandrijfbout.



### De aandrijfbout inspecteren

Houd de aandrijfbout vast, beweeg deze naar links en rechts en controleer of deze loszit. Als deze loszit, moet de transmissiekop worden vervangen. Neem contact op met uw onderhoudsdealer voor vervanging.



Na "De transmissiekop reinigen" en "De aandrijfbout inspecteren" moet u de afstandhouder A op de transmissiekop monteren voordat u het snijwerktuig bevestigt. Zie pagina 28 voor het bevestigen van het snijwerktuig.

## HET SNIJWERKTUIG CONTROLEREN

### ▲ WAARSCHUWING

- Om ernstig persoonlijk letsel te voorkomen moet u ervoor zorgen dat de motorschakelaar in de UIT-stand staat om onbedoeld starten te voorkomen.
- Inspecteer om veiligheidsredenen het snijwerktuig op slijtage en beschadiging en controleer of het snijwerktuig goed is vastgedraaid voordat u de motor start. Het gebruik van de bosmaaier met een versleten, gescheurd of beschadigd snijwerktuig kan leiden tot persoonlijk letsel of schade aan de bosmaaier. Een versleten, gescheurd of beschadigd werktuig kan breken, waardoor stukken van het beschadigde werktuig de gebruiker of omstanders kunnen raken, met ernstig of dodelijk letsel tot gevolg.

### VOORZICHTIG:

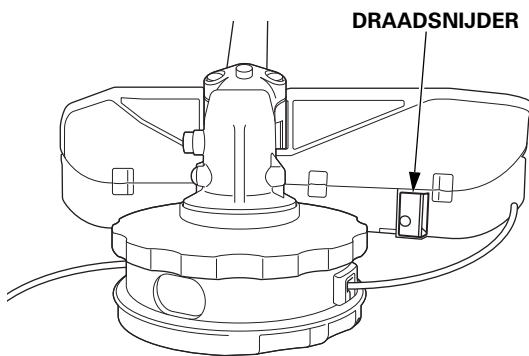
- Draag zware handschoenen om uw handen te beschermen wanneer u onderhoud uitvoert rond het snijwerktuig.
- Om persoonlijk letsel te voorkomen, monteert u de snijgereedschap op het stalen snijgereedschap voordat u onderhoud rond het stalen snijgereedschap gaat verrichten.

Zie pagina 14 voor het monteren van de snijgereedschapkap.

Zie "Het snijwerktuig kiezen" op pagina 24 om het snijwerktuig te selecteren.

### Flexibel snijgereedschap

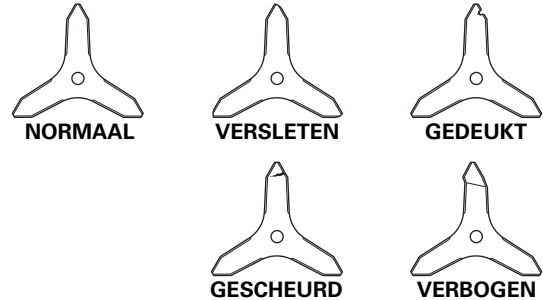
1. Stop de motor door de motorschakelaar in de UIT-stand te zetten.
2. Controleer het flexibele snijgereedschap op loszitten. Zet het flexibele snijgereedschap stevig vast als het loszit (zie pagina 28).
3. Controleer de nylondraad op pluizen. Als de nylondraad beschadigd is, laat deze dan een stukje afrollen volgens de volgende procedures. Zie pagina 25 voor het afrollen van de nylondraad. Controleer voordat u de nylondraad laat afrollen of de draadsnijder vrij is van stof, vuil en ander vreemd materiaal. Reinig de draadsnijder indien nodig.



### Stalen snijgereedschap

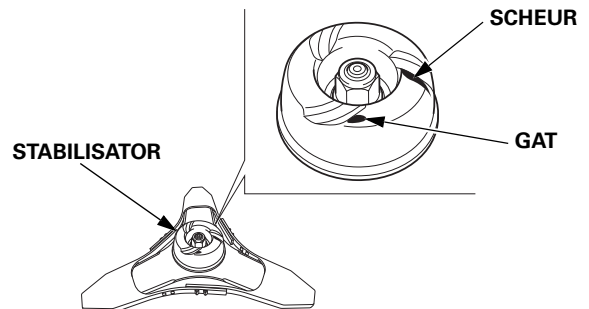
1. Stop de motor door de motorschakelaar in de UIT-stand te zetten.
2. Controleer of de snijgereedschapsmoer goed is vastgedraaid. Zet de moer stevig vast als deze loszit (zie pagina 10).
3. Controleer het stalen snijgereedschap op slijtage, deuken, scheuren en andere schade. Als het stalen snijgereedschap versleten, gescheurd, geschilderd of anderszins beschadigd is, vervang het beschadigde stalen snijgereedschap dan door een nieuw origineel stalen Honda-vervangingsnijgereedschap of een equivalent daarvan.

Een bot stalen snijgereedschap kan worden geslepen. Als u het lastig vindt om dat zelf te doen, raadpleeg dan uw onderhoudsdealer.



### DE STABILISATOR INSPECTEREN (VOOR STALEN SNIJGEREEDSCHAP)

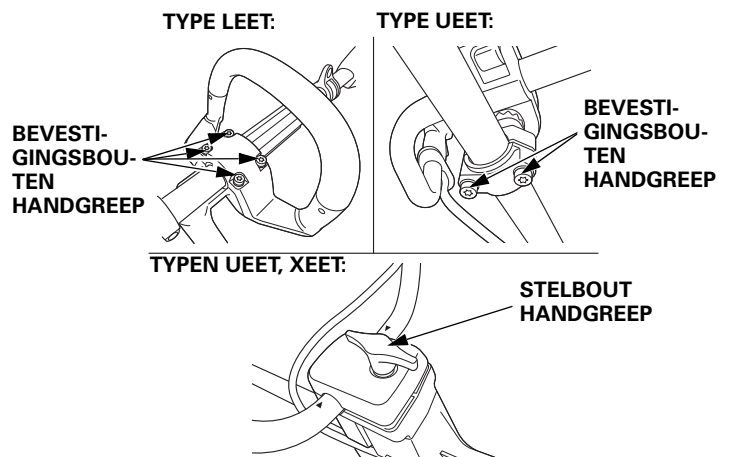
Controleer de slijtage van de stabilisator. Vervang de stabilisator als er scheuren of gaten in zitten. Neem contact op met uw onderhoudsdealer voor vervanging.



### ALLE BOUTEN EN MOEREN CONTROLEREN

Controleer voor alle werkzaamheden of er bouten of moeren loszitten. Als er bouten of moeren loszitten, draait u ze weer vast.

1. Controleer elke bout en moer op de motor en het frame op loszitten. Draai ze indien nodig stevig vast.
2. Controleer de handgreep op losse bevestigingsbouten of -schroeven en zet deze, indien nodig, goed vast.



## DE BOSMAAIER IN BALANS BRENGEN

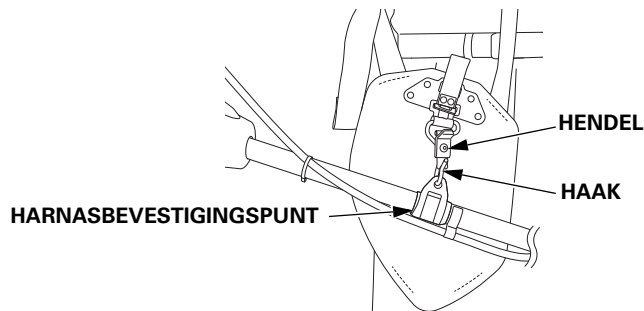
### ▲ WAARSCHUWING

- Doe altijd het dubbele harnas om voordat u de bosmaaier gebruikt. Anders kan er letsel ontstaan als gevolg van instabiliteit.
- Voor de veiligheid en het comfort van de gebruiker is het belangrijk om de harnasriemen zo af te stellen, dat ze comfortabel kunnen worden gedragen en dat de maaier in de werkpositie goed in balans is.

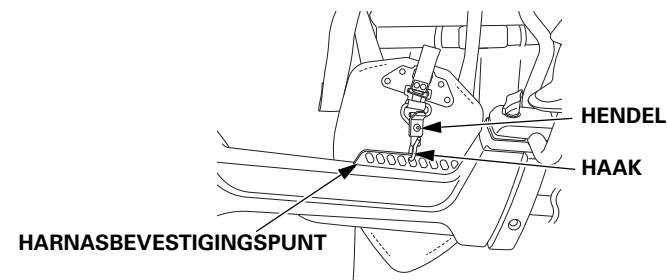
### Het dubbele harnas controleren

1. Doe het dubbele harnas om. (zie pagina 20)
2. Maak de haak vast aan het harnasbevestigingspunt. (zie pagina 12)
3. Controleer of de haak stevig aan het harnasbevestigingspunt is bevestigd.
4. Controleer de balans en positie van de bosmaaier volgens onderstaande procedure.

### Typen UEET, LEET



### Type XEET



### Juiste balans

1. Stel het dubbele harnas zo af dat het harnasbevestigingspunt zich ter hoogte van uw rechterheup bevindt (zie pagina 20).
2. Houd de bosmaaier zo vast dat het snijwerktuig zich evenwijdig aan de grond bevindt terwijl u de handgreep met beide handen vasthoudt.
3. Pas de lengte van het dubbele harnas (pagina 20), de positie van de handgreep of de hoek van de handgreepstang (pagina 19) zodanig aan, dat het snijwerktuig zich evenwijdig aan de grond bevindt en op voldoende afstand boven de grond blijft.



### ▲ WAARSCHUWING

Gebruik de bosmaaier niet als het roterende snijwerktuig bij uw voeten kan komen. Uw voeten kunnen letsel oplopen als ze geraakt worden door het roterende snijwerktuig.

## DE HANDGREEP AANPASSEN

### De positie van de handgreephouder aanpassen (alleen typen UEET, LEET)

#### Type UEET

U kunt de handgreephouder naar voren of naar achteren verplaatsen. Zie pagina 8 voor het aanpassen van de positie van de handgreephouder.

Om veiligheidsredenen mogen de handgreepstang en de handgreephouder niet voorbij de veiligheidskraag worden gemonteerd.

#### Type LEET

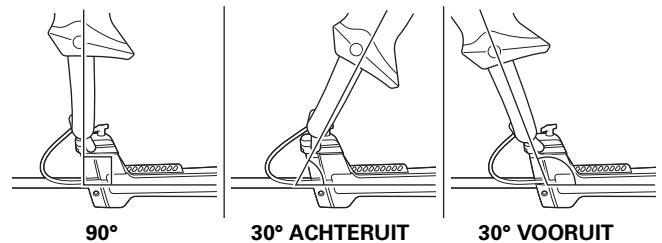
De positie van de beugelhandgreep kan naar voren of naar achteren worden verplaatst. Zie pagina 8.

Om veiligheidsredenen mag de beugelhandgreep niet voorbij de veiligheidskraag worden gemonteerd.

### De hoek van de handgreepstang aanpassen (alleen typen UEET, XEET)

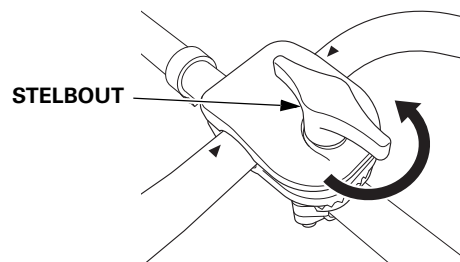
De standaardhoek is 90 graden.

U kunt de handgreepstang vanuit de standaardhoek maximaal 30 graden naar voren of naar achteren kantelen.



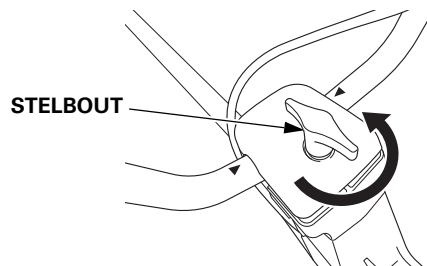
#### Type UEET

Om de hoek van de handgreepstang aan te passen, draait u de stelbout iets los en kantelt u de handgreepstang. Zet de stelbout stevig vast.



#### Type XEET

Om de hoek van de handgreepstang aan te passen, draait u de stelbout iets los en kantelt u de handgreepstang. Duw licht op de handgreephouder A en draai de stelbout stevig vast.



Controleer na het aanpassen van de positie van de handgreep resp. de hoek van de handgreepstang of de gaskabel niet strak is getrokken.

Controleer ook of de gashendelknop soepel werkt.



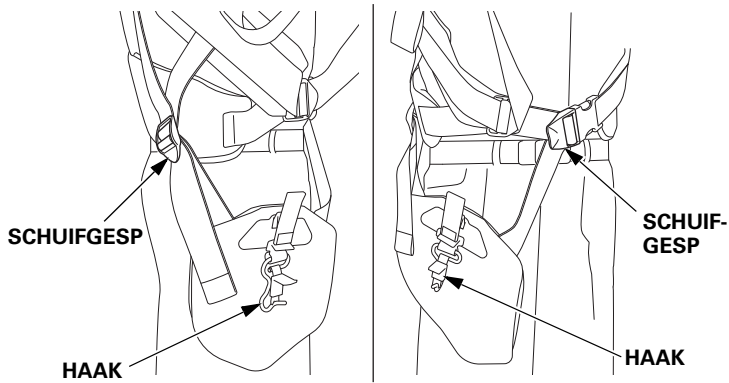
## HET DUBBELE HARNAS AANPASSEN

Alle afstellingen kunnen worden gedaan door de stelriem met de schuifgesp te verlengen of in te korten.

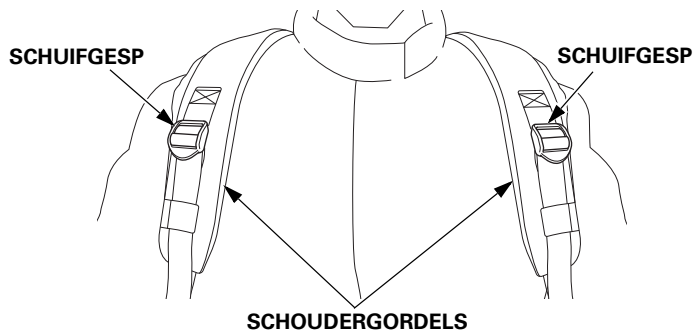
### Afstelpunten

- De positie van de haak kan worden aangepast met de schuifgespen op de riemen waar het taillekussen aan hangt.
- De lengte van de schoudergordel en de positie van het taillekussen kunnen worden aangepast met de schuifgespen op de schoudergordels.
- De pasvorm van het taillekussen kan worden aangepast met de schuifgesp aan de rechterzijde.

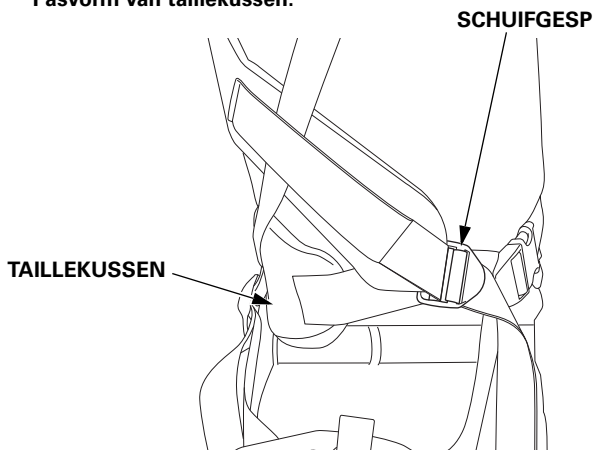
#### Positie van haak:



#### Lengte van schoudergordels:

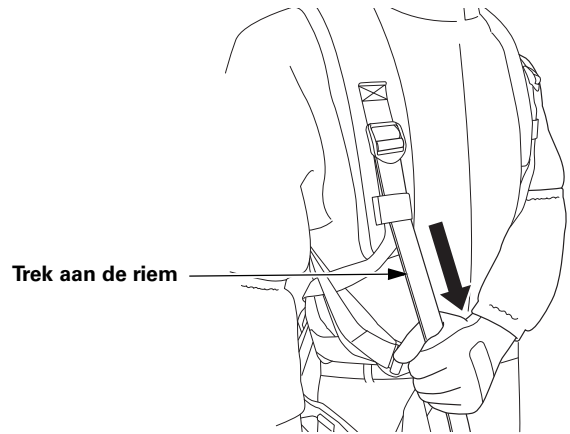


#### Pasvorm van taillekussen:

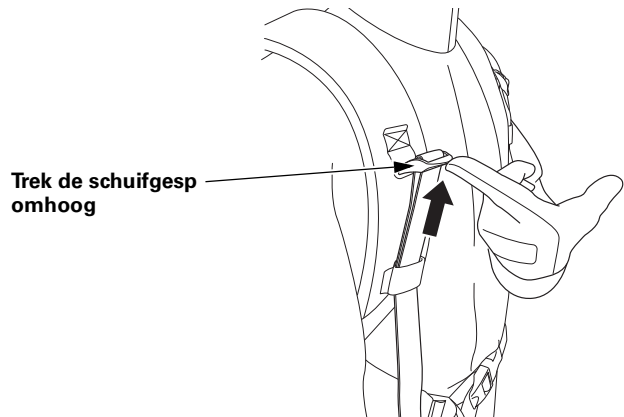


## Schuifgesp

### Om de stelriem korter te maken



### Om de stelriem langer te maken

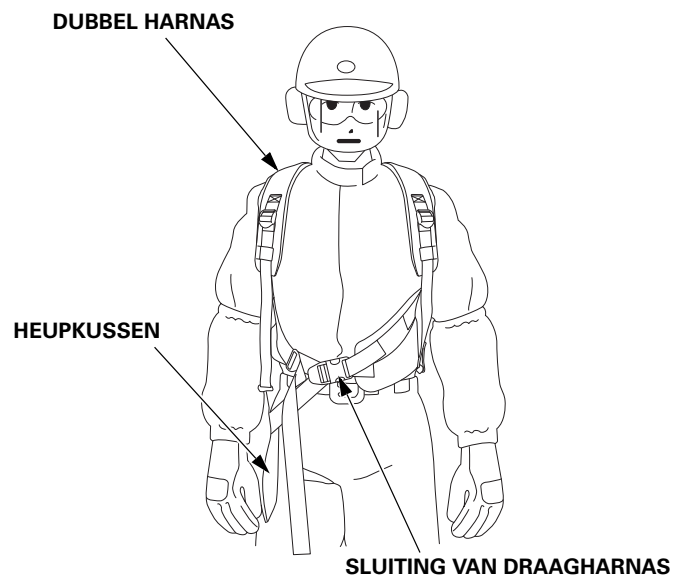


Alle schuifgespen kunnen op dezelfde manier worden gebruikt.

## Het dubbele harnas omdoen

Doe het dubbele harnas zodanig om dat het heupkussen zich aan de rechterzijde van uw lichaam bevindt. Controleer of het harnas nergens gedraaid is. Zet de sluiting van het dubbele harnas aan de voorzijde van uw lichaam goed vast.

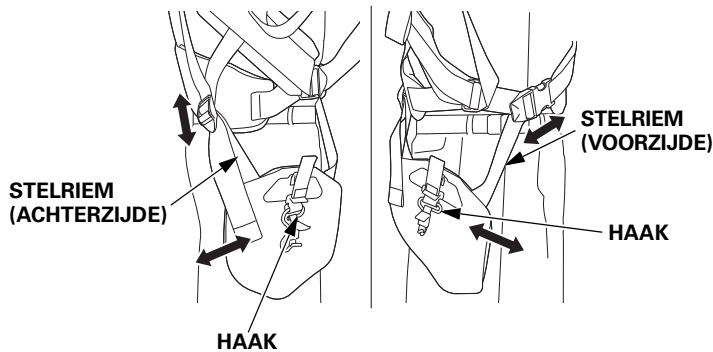
Om de sluiting van het dubbele harnas te ontgrendelen, trekt u het harnas naar rechts en naar links terwijl u de sluiting indrukt.





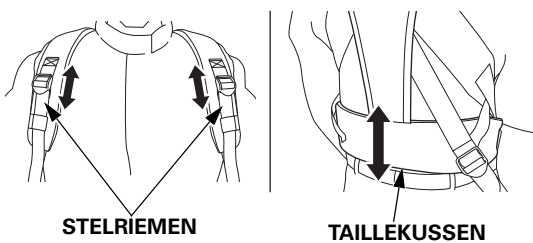
### Positie van de haak aanpassen

- Door het inkorten van zowel de voorste als achterste stelriemen beweegt de haak omhoog.
- Door het verlengen van zowel de voorste als de achterste stelriemen beweegt de haak omlaag.
- Door het aanpassen van een van beide zijden van de stelriem of beide zijden in tegengestelde richting wordt de haak verplaatst in de richting waarin u hebt getrokken (bijv. als de stelriem aan de voorzijde korter en aan de achterzijde langer wordt gemaakt, beweegt de haak naar voren).



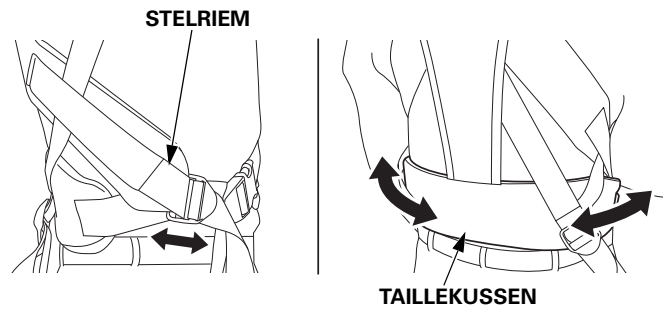
### Positie van de schoudergordel en het taillekussen aanpassen

- Maak de stelriemen korter of langer zodat het taillekussen rond de taille past.
- Door het inkorten van de stelriemen beweegt het taillekussen omhoog.
- Door het verlengen van de stelriemen beweegt het taillekussen omlaag.
- Om de gewichtsverdeling over de schouders en rug aan te passen, stelt u de linker of rechter stelriem af.
- Door het inkorten van beide stelriemen worden de schouders en rug zwaarder belast.
- Door ze te verlengen wordt de belasting meer naar de taille verplaatst.



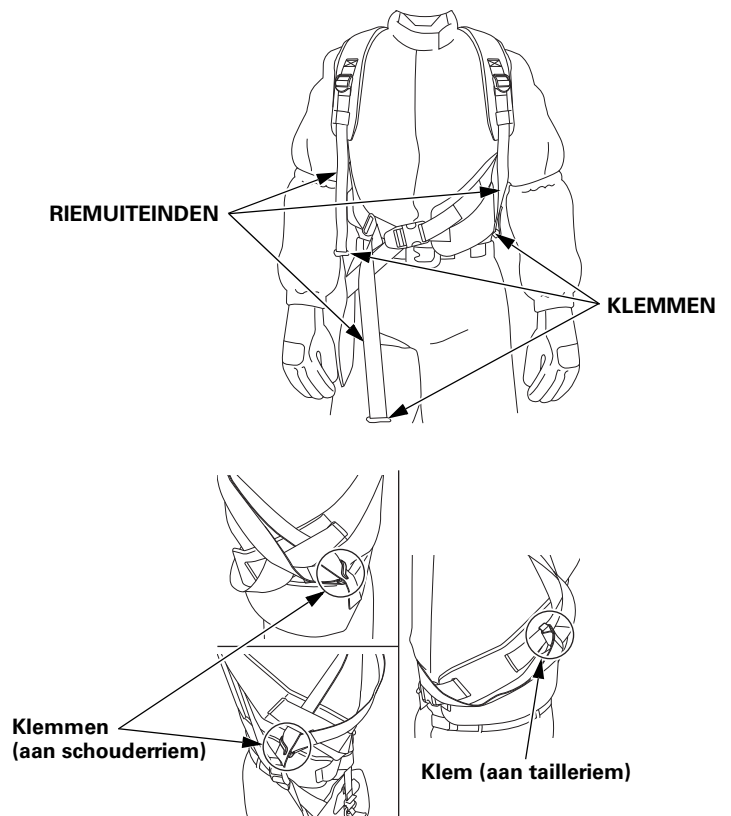
### Pasvorm van het taillekussen aanpassen

- Door de stelriem in te korten wordt het heupkussen strakker gezet. Deze aanpassing is geschikt voor het werken met zware belastingen, omdat het hangende gewicht van de bosmaaier en de reactiekrachten worden verspreid.
- Door het verlengen van de stelriem wordt het vrije bewegingsbereik van de bosmaaier vergroot. Deze aanpassing is geschikt voor het werken met lichte reactiekrachten en lichte belastingen, zoals op vlak terrein, waarbij meer flexibele bewegingen vereist zijn.



### Riemuiteinden bevestigen

Nadat u het harnas hebt afgesteld, bevestigt u de riemuiteinden aan de gordel met behulp van de bevestigingsklemmen.



Bevestig de klemmen niet op de volgende manieren.

- Bevestiging van de linker klem aan de rechter gordel en omgekeerd.
- Bevestiging aan een plaats buiten het dubbele harnas.

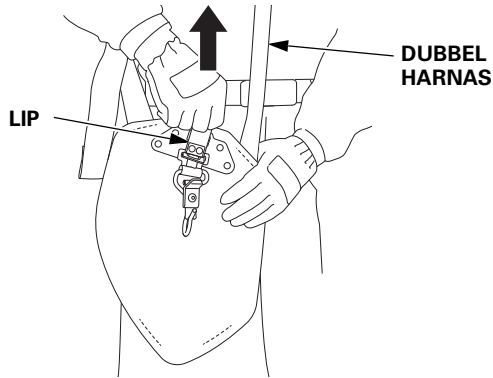
Het bevestigen van de klemmen op de bovenstaande manieren kan het afdoen van het dubbele harnas verhinderen, zelfs als de sluiting van het dubbele harnas is ontgrendeld.

## HET SNELONTGREDELINGSMECHANISME CONTROLEREN

NB:

- Wanneer het snelontgrendelingsmechanisme wordt gebruikt om de bosmaaier los te maken, kan de bosmaaier vallen. Wanneer u de werking van het snelontgrendelingsmechanisme controleert, bevestig de bosmaaier dan niet aan de haak op het taillekussen om te voorkomen dat de bosmaaier valt en beschadigd raakt.

1. Doe het dubbele harnas om.
2. Controleer of de sluiting wordt ontgrendeld zodra de lip van het snelontgrendelingsmechanisme omhoog wordt getrokken terwijl u het heupkussen met uw linkerhand tegenhoudt.
3. Steek de grendeltong in de sleuf van het snelontgrendelingsmechanisme.



Als de sluiting niet kan worden ontgrendeld, laat uw harnas dan inspecteren en repareren door uw onderhoudsdealer.

## HET STATIONAIR DRAAIEN VAN DE MOTOR EN DE WERKING VAN DE KOPPELING CONTROLEREN

Deze inspectie is nodig voor het starten van de motor. Zie pagina 23 voor het starten van de motor.

### ⚠ WAARSCHUWING

- **Uitlaatgassen bevatten het giftige koolstofmonoxide. Laat de motor nooit draaien in een afgesloten ruimte. Zorg voor voldoende ventilatie.**
- **Start de motor op een plaats die minstens 15 m verwijderd is van andere personen, dieren en omringende gebouwen. Let erop dat het werkgebied vrij is van obstakels.**

### VOORZICHTIG:

Start de motor niet terwijl het snijwerktuig op de grond of tegen een ander obstakel rust. De bosmaaier kan onverwachte bewegingen maken en daardoor letsel veroorzaken aan uw benen enzovoort.

### Het stationair draaien van de motor controleren

Start de motor (zie pagina 23) en controleer of het stationair toerental normaal is.

Als het stationair toerental abnormaal hoog of laag is, werk dan niet met de bosmaaier en laat deze inspecteren door uw onderhoudsdealer.

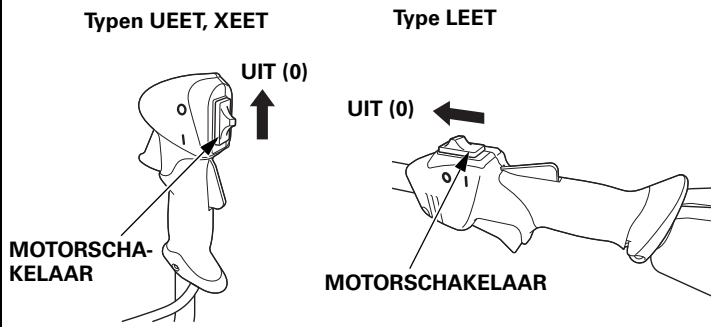
### De werking van de koppeling controleren

Controleer of het snijwerktuig stopt met draaien wanneer de gashendelknop wordt losgelaten.

Het snijwerktuig mag niet draaien wanneer de motor stationair draait. Als het snijwerktuig bij stationair toerental toch draait, stel het stationair toerental dan correct af voordat u met de bosmaaier gaat werken. Laat de bosmaaier inspecteren door uw onderhoudsdealer.

## DE WERKING VAN DE MOTORSCHAKELAAR CONTROLEREN

Controleer of de motor stopt door de motorschakelaar in de UIT-stand te zetten.



### VOORZICHTIG:

- Houd er rekening mee dat het snijwerktuig door inertie nog even blijft draaien nadat de motor is uitgeschakeld.
- Controleer voordat u de bosmaaier op de grond plaatst of de motor is uitgeschakeld en het snijwerktuig niet meer draait.

## DE MOTOR STARTEN

### ⚠ WAARSCHUWING

- Uitlaatgassen bevatten het giftige koolstofmonoxide. Laat de motor nooit draaien in een afgesloten ruimte. Zorg voor voldoende ventilatie.
- Start de motor op een plaats die minstens 15 m verwijderd is van andere personen, dieren en omringende gebouwen. Let erop dat het werkgebied vrij is van obstakels.

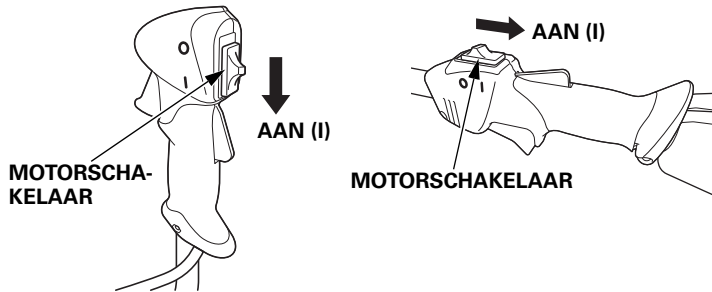
### VOORZICHTIG:

- Start de motor niet terwijl het snijwerktuig op de grond of tegen een ander obstakel rust. De bosmaaier kan onverwachte bewegingen maken en daardoor letsel veroorzaken aan uw benen enzovoort.
- Draag beschermende kleding en beschermingsmiddelen (zie pagina 2).

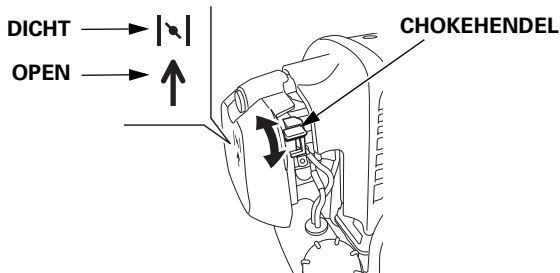
1. Zet de motorschakelaar in de AAN-stand.

Typen UEET, XEET

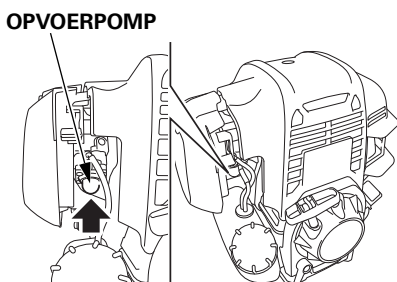
Type LEET



2. Zet om een koude motor te starten de chokehendel in de stand DICHT.  
Zet om een nog warme motor te herstarten de chokehendel in de stand OPEN.



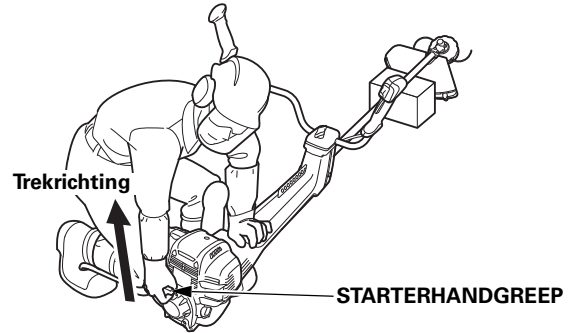
3. Druk de opvoerpomp een aantal keren in totdat deze zich heeft gevuld met brandstof.  
Wanneer de opvoerpomp te vaak wordt ingedrukt, stroomt de overtollige brandstof terug naar de brandstoftank.  
Als de opvoerpomp niet vaak genoeg wordt ingedrukt, start de motor mogelijk niet.



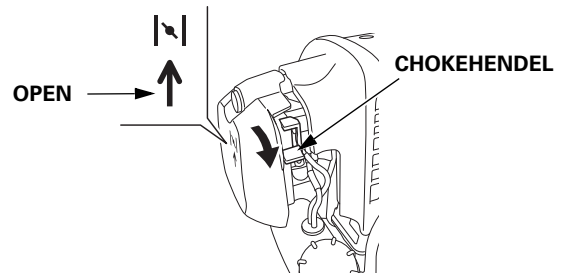
4. Trek lichtjes aan de starterhandgreep totdat u weerstand voelt, terwijl u de transmissieas met uw voet ondersteunt en de transmissieas met uw hand vasthoudt. Trek vervolgens stevig in de richting van de pijl zoals hieronder aangegeven. Laat het startkoord rustig terugrollen.

NB:

- Laat het de handgreep van het startkoord niet terugslaan tegen de motor. Laat het startkoord langzaam terugrollen om schade aan de starter te voorkomen.
- Er kan schade ontstaan als er aan de starterhandgreep wordt getrokken terwijl de motor draait.



5. Als u de chokehendel in de stand DICHT hebt gezet om de motor starten, zet deze dan geleidelijk naar de stand OPEN naarmate de motor opwarmt.



## MAAIBEWERKING

Lees en begrijp de veiligheidsinstructies op pagina's 2 t/m 4 voordat u met de bosmaaier gaat werken.

Als u abnormale geluiden, geuren, trillingen of andere ongebruikelijke signalen opmerkt, schakel de motor dan onmiddellijk uit en neem contact op met uw onderhoudsdealer.




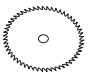
Schakel de motor uit wanneer u de lengte van het dubbele harnas instelt.

### ▲ WAARSCHUWING

- **Gebruik de bosmaaier niet als het roterende snijwerktuig bij uw voeten kan komen. Uw voeten kunnen letsel oplopen als ze geraakt worden door het roterende snijwerktuig.**
- **Doe altijd het dubbele harnas om voordat u de bosmaaier gebruikt. Anders kan er letsel ontstaan als gevolg van instabiliteit.**
- **Inspecteer om veiligheidsredenen het snijwerktuig op slijtage en beschadiging en controleer of het snijwerktuig goed is vastgedraaid voordat u de motor start. Het gebruik van de bosmaaier met een versleten, gescheurd of beschadigd snijwerktuig kan leiden tot persoonlijk letsel of schade aan de maaier. Een versleten, gescheurd of beschadigd werktuig kan breken, waardoor stukken van het beschadigde werktuig de gebruiker of omstanders kunnen raken, met ernstig of dodelijk letsel tot gevolg.**
- **Doe altijd het dubbele harnas om voordat u de bosmaaier gebruikt. Anders kan er letsel ontstaan als gevolg van instabiliteit.**
- **Voor de veiligheid en het comfort van de gebruiker is het belangrijk om de harnasriemen zo af te stellen, dat ze comfortabel kunnen worden gedragen en dat de maaier in de werkpositie goed in balans is.**

### HET SNIJWERKTUIG KIEZEN

Selecteer voor de beste maairesultaten een snijwerktuig dat is afgestemd op de lengte van het gras en de ondergrond.

Type snijwerktuig	Geschikte toepassingen
 Flexibel snijgereedschap	Maaien van laag gras en licht snoeiwerk
 Stalen snijgereedschap (3-tands)	Snoeien van dicht en verward onkruid, struiken zoals braamstruiken en wilde struiken waarvan de steel een diameter heeft van minder dan 20 mm
 Stalen snijgereedschap (4-tands) (optioneel onderdeel)	Zagen van struiken, struikgewas en kleine bomen waarvan de stam een diameter heeft van minder dan 60 mm
 Stalen snijgereedschap (cirkelzaagblad) (optioneel onderdeel)	

### HET DUBBELE HARNAS DRAGEN EN DE BOSMAAIER AAN DE HAAK BEVESTIGEN

NB:

Voeg tussen de bewerkingen met de bosmaaier altijd pauzes in waarbij de motor stationair kan draaien. Als de motor gedurende lange tijd onbelast draait (geen weerstand op het snijwerktuig), kan de motor ernstig worden beschadigd.

1. Doe het dubbele harnas om en stel de juiste pasvorm in (zie pagina 20).
2. Start de motor (zie pagina 23) en bevestig de bosmaaier aan de haak van het dubbele harnas (zie pagina 12).
3. Controleer of de bosmaaier de juiste balans heeft (zie pagina 19).

## BASISBEWERKING

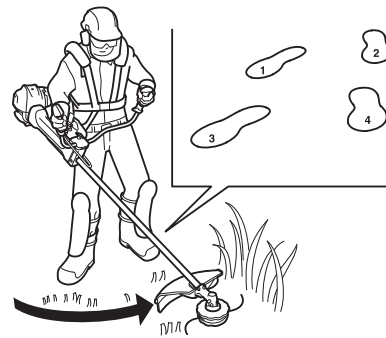
### Juiste houding voor maaibewerking

- Houd de bosmaaier in de juiste positie (zie pagina 19).
- Verminder geleidelijk uw grip op de handgreep. Laat de handgreep niet los, maar houd deze met beide handen licht tegen en zorg ervoor dat de hoogte van het snijwerktuig boven de grond niet wezenlijk verandert.
- Houd de bosmaaier stevig met beide handen vast, met uw vingers en duimen rond de handgrepen. Op deze manier kunt u de bosmaaier te allen tijde onder controle houden.
- Zorg ervoor dat u altijd stevig en in balans staat.
- Reik niet te ver.
- Houd het snijwerktuig onder kniehoogte.
- Houd alle lichaamsdelen uit de buurt van het roterende snijwerktuig en hete oppervlakken.

Aanpassing van de balans is nodig als het snijwerktuig hoog boven uw knieën komt. Werk niet met de bosmaaier voordat de balans is aangepast. Als u de bosmaaier niet door middel van aanpassing in balans kunt brengen, raadpleeg dan uw onderhoudsdealer.

### Basishandelingen voor de maaibewerking

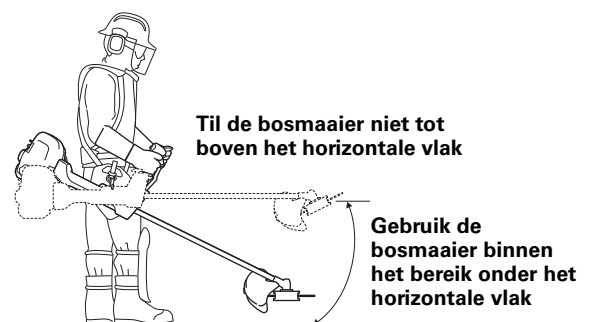
- Bedien de bosmaaier niet door middel van armkracht maar vanuit uw heupen, zodat het snijwerktuig in een horizontale boog van rechts naar links beweegt. Houd de bosmaaier zodanig vast, dat u uw gewicht veilig en gemakkelijk naar uw rechterbeen en vervolgens naar uw linkerbeen kunt verplaatsen, en loop langzaam met kleine passen.
- Wanneer u de bosmaaier op een flauwe helling gebruikt, ga dan aan de lage kant van de helling staan. Steile hellingen zijn glibberig, waardoor u uw evenwicht kunt verliezen. Werk niet met de bosmaaier op een steile helling.



### VOORZICHTIG:

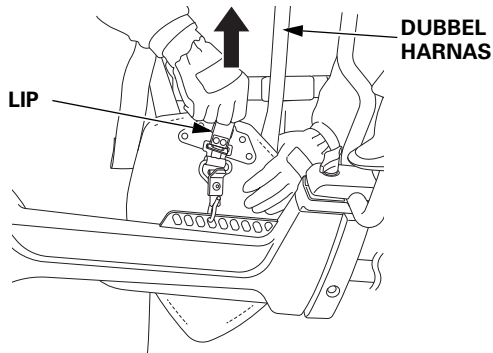
Zorg ervoor dat u stevig staat. Gebruik de bosmaaier niet op glibberige plaatsen, anders kunt u uw evenwicht verliezen.

- Til de bosmaaier in het gebruik niet tot boven het horizontale vlak. Houd de bosmaaier altijd binnen het bereik onder het horizontale vlak.



## In een noodgeval

Trek in een noodgeval de lip van het snelontgrendelingsmechanisme omhoog en duw de bosmaaier weg om de bosmaaier los te maken van het dubbele harnas.



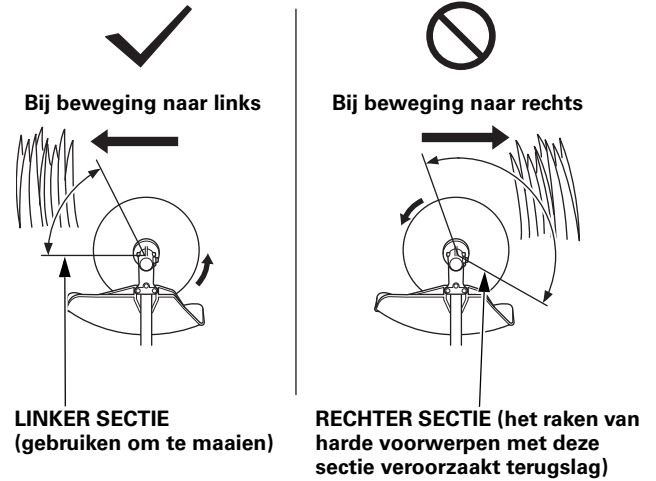
## Om terugslag te voorkomen

De "rechter sectie" van het stalen snijgereedschap mag niet worden gebruikt bij het maaien.

Contact tussen het roterende stalen snijgereedschap en harde voorwerpen zorgt ervoor dat het gereedschap terugkaatst vanwege de draairichting (dit verschijnsel wordt "terugslag" genoemd).

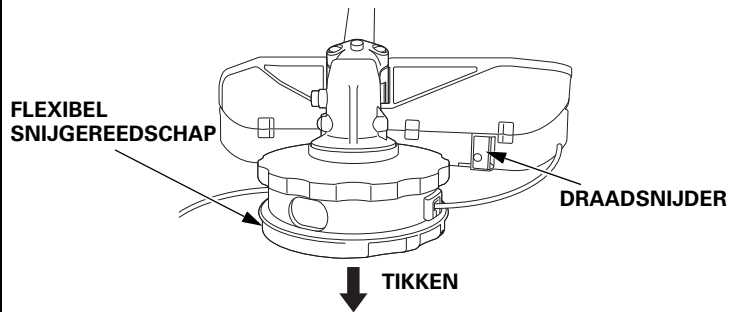
### ⚠ WAARSCHUWING

- Let op dat er nooit harde voorwerpen zoals stenen, bomen, palen of beton worden geraakt met het roterende stalen snijgereedschap. Als het stalen snijgereedschap dergelijke voorwerpen raakt, veroorzaakt dit terugslag. Zaag met het stalen snijgereedschap nooit zeer hard hout en/of planten met een grote steeldiameter, omdat dit terugslag veroorzaakt. Terugslag leidt tot verlies van controle over de bosmaaier en contact van het stalen snijgereedschap met de gebruiker of omstanders kan ernstig of dodelijk letsel tot gevolg hebben. Het leidt ook tot slijtage, scheurvorming en beschadiging van het stalen snijgereedschap dat als gevolg daarvan kan breken, waardoor stukken van het beschadigde werktuig de gebruiker of omstanders kunnen raken, met ernstig of dodelijk letsel tot gevolg.
- U mag alleen een maaibeweging uitvoeren wanneer u de maaier naar links zwenkt. De "rechter sectie" van het stalen snijgereedschap mag niet worden gebruikt bij het maaien. Maai geen gras wanneer u de maaier naar rechts zwenkt. Als u in deze richting een hard voorwerp raakt, ontstaat een terugslag, met mogelijk ernstig of dodelijk letsel tot gevolg.
- Als het stalen snijgereedschap een voorwerp raakt, schakel de motor dan onmiddellijk uit. Controleer het stalen snijgereedschap wanneer het stalen snijgereedschap is gestopt met draaien. Hervat de maaibewerking nooit met gebroken of beschadigd stalen snijgereedschap.



## Draadtoevoer van het flexibele snijgereedschap

Bij dit type snijwerktuig rolt de nylondraad een stukje af wanneer het flexibele snijgereedschap tegen de grond wordt getikt terwijl de motor draait. Hierbij moet een beschermkap met draadsnijder worden gebruikt.



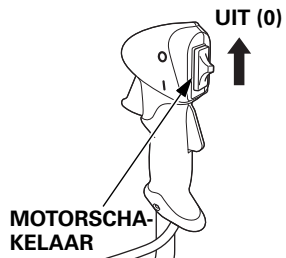
## DE MOTOR UITSCHAKELEN

1. Laat de gashendelknop los.
2. Zet de motorschakelaar in de UIT-stand.

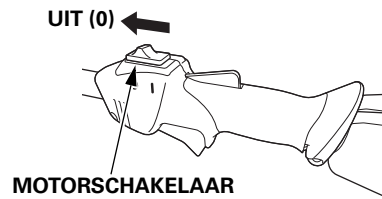
### VOORZICHTIG:

- Houd er rekening mee dat het snijwerktuig door inertie nog even blijft draaien nadat de motor is uitgeschakeld.
- Controleer voordat u de bosmaaier op de grond plaatst of de motor is uitgeschakeld en het snijwerktuig niet meer draait.

Typen UEET, XEET



Type LEET





## ONDERHOUD

Periodieke controles en afstelling van de bosmaaier zijn essentieel om de hoogwaardige prestaties te behouden. Regelmatig onderhoud draagt ook bij aan de verlenging van de levensduur. De vereiste onderhoudsintervallen en het soort onderhoud dat moet worden uitgevoerd zijn beschreven in het onderhoudsschema.

Houd de onderzijde van de beschermkap schoon en vrij van opgehoopte grasresten door hem na elk gebruik met een slang af te spoelen en/of met een staalborstel en schraper schoon te maken en daarmee de levensduur en efficiëntie te vergroten.

### ⚠ WAARSCHUWING

- Plaats de bosmaaier op een vlak oppervlak voordat u onderhoud gaat uitvoeren, controleer of het snijwerktuig niet meer draait en zet de motorschakelaar in de UIT-stand om te voorkomen dat de motor per ongeluk wordt gestart.
- De bosmaaier moet worden onderhouden door uw onderhoudsdealer, tenzij u over de juiste gereedschappen en onderhoudsgegevens beschikt en meent over voldoende mechanische kwalificaties te beschikken.

### VOORZICHTIG:

- Gebruik originele Honda-onderdelen of gelijkwaardige onderdelen voor onderhoud en reparatie. Vervangende onderdelen die niet van vergelijkbare kwaliteit zijn, kunnen de bosmaaier beschadigen.
- Om persoonlijk letsel te voorkomen, monteert u de snijgereedschap op het stalen snijgereedschap voordat u onderhoud rond het stalen snijgereedschap gaat verrichten.

Zie pagina 14 voor het monteren van de snijgereedschap.

## ONDERHOUDSSCHEMA

Onderdeel	NORMAAL ONDERHOUDSINTERVAL (3)	Interval						Pagina
		Elk gebruik	Eerste maand of 10 uur	Elke 3 maanden of 25 uur	Elke 6 maanden of 50 uur	Elk jaar of elke 100 uur	Elke 2 jaar of elke 300 uur	
Motorolie	Peil controleren	o						14
	Verversen		o		o			31
Luchtfilter	Controleren	o						15
	Reinigen			o (1)				31
	Vervangen					o		31
Bougie	Controleren-afstellen					o (2)		-
	Vervangen						o (2)	-
Gaskabel / gashendelknop	Controleren	o						16
Werking van motorschakelaar	Controleren	o						22
Dubbel harnas	Controleren	o						19
Snijwerktuig	Controleren (Vervangen indien nodig)	o						18
Beschermkap	Controleren	o						16
Stationair / koppeling	Controleren	o						22
Motorkoelribben	Controleren-reinigen				o (1)(2)			-
Moeren, bouten, bevestigingen	Controleren (Opnieuw aandraaien indien nodig)	o						18
Brandstoftank	Reinigen					o		32
Brandstoffilter	Controleren					o		32
Koppelingschoen en trommel	Controleren				o (2)(4)			-
Slijtage van transmissiekop	Controleren				o (2)			-
Transmissiekop	Controleren-reinigen	o						17
	Vet			o				32
Stationair toerental	Controleren-afstellen					o (2)		-
Klepspel	Controleren-afstellen					o (2)		-
Verbrandingskamer	Reinigen	Elke 2 jaar of 300 uur (2)						-
Brandstofleidingen	Controleren	Elk jaar of elke 100 uur (Vervangen indien nodig) (2)						-
Olieleidingen	Controleren	Elke 2 jaar (Vervangen indien nodig) (2)						-
Antitribrubber (5)	Controleren-afstellen				o (2)			-

- (1) Controleer/reinig vaker bij gebruik in een stoffige omgeving.
- (2) Deze onderhoudswerkzaamheden moeten worden uitgevoerd door uw onderhoudsdealer, tenzij u over het juiste gereedschap en de noodzakelijke ervaring als monteur beschikt. Zie het Honda-werkplaatshandboek voor onderhoudsprocedures.
- (3) Registreer het aantal bedrijfsuren om het juiste onderhoudsinterval te bepalen.
- (4) Deze verbruiksonderdelen moeten indien nodig zelfs na een korte periode worden vervangen.
- (5) Type XEET (sommige uitvoeringen)

## SNIJWERKTUIG VERVANGEN

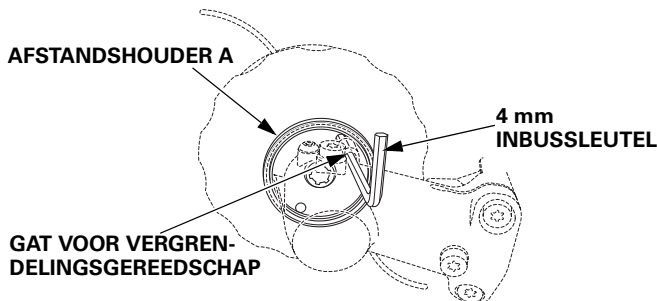
### ▲ WAARSCHUWING

- Om ernstig persoonlijk letsel te voorkomen moet u ervoor zorgen dat de motorschakelaar in de UIT-stand staat om onbedoeld starten te voorkomen.
- Inspecteer om veiligheidsredenen het snijwerktuig op slijtage en beschadiging en controleer of het snijwerktuig goed is vastgedraaid voordat u de motor start. Het gebruik van de bosmaaier met een versleten, gescheurd of beschadigd snijwerktuig kan leiden tot persoonlijk letsel of schade aan de maaier. Een versleten, gescheurd of beschadigd werktuig kan breken, waardoor stukken van het beschadigde werktuig de gebruiker of omstanders kunnen raken, met ernstig of dodelijk letsel tot gevolg.

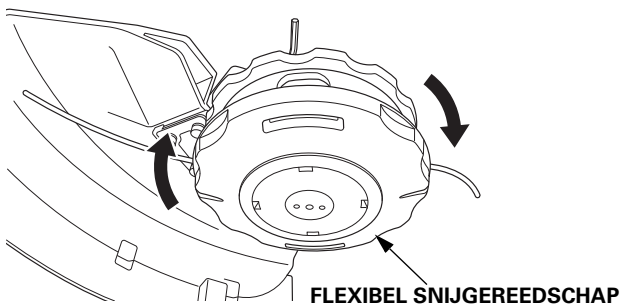
### Flexibel snijgereedschap vervangen

Demontage:

1. Stop de motor door de motorschakelaar in de UIT-stand te zetten.
2. Plaats de 4 mm inbussleutel in het gat van de vergrendeling. Draai het flexibele snijgereedschap totdat u voelt dat de inbussleutel in het gat van de afstandhouder A valt. Zorg ervoor dat het flexibele snijgereedschap niet draait.



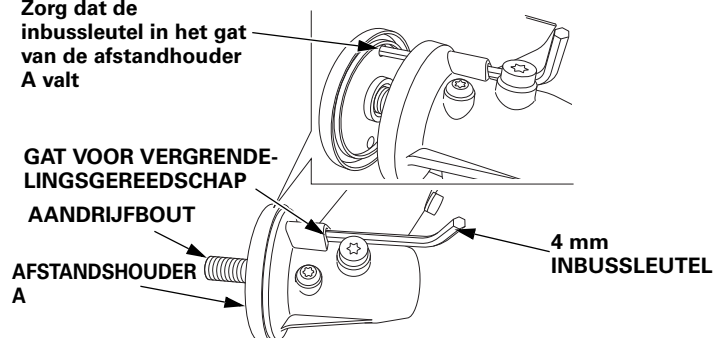
3. Draai het flexibele snijgereedschap rechtsom om het van de transmissiekop te verwijderen.



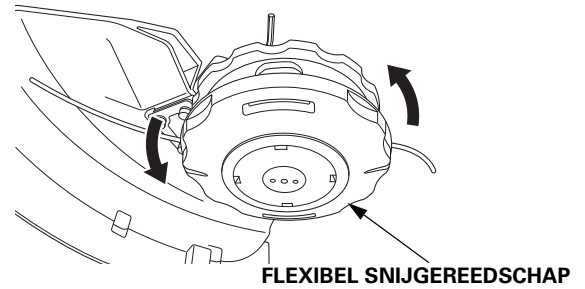
Montage:

1. Zorg dat de afstandhouder A in de transmissiekop is gemonteerd.
2. Steek de 4 mm inbussleutel in het gat van de vergrendeling om te voorkomen dat de aandrijfbout meedraait.

Zorg dat de inbussleutel in het gat van de afstandhouder A valt



3. Draai het flexibele snijgereedschap linksom om het op de transmissiekop te monteren.



### Nylondraad vervangen

### ▲ WAARSCHUWING

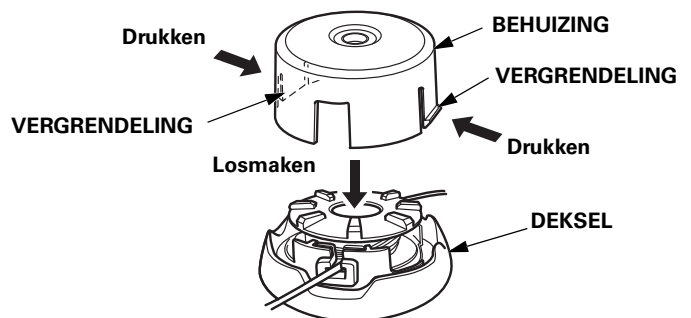
- Vervang de nylondraad nooit door een draad van een ander materiaal, zoals staaldraad.

Typen UEET, LEET:

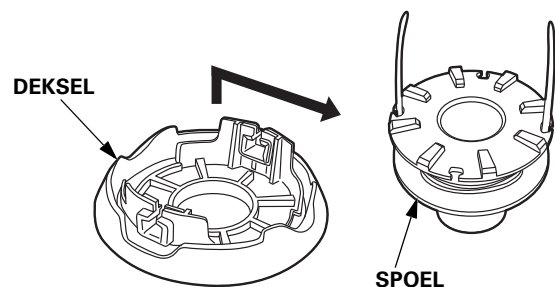
Aanbevolen specificaties nylondraad:

Standaard diameter nylondraad: 2,7 mm, Maximum lengte: 6,0 m

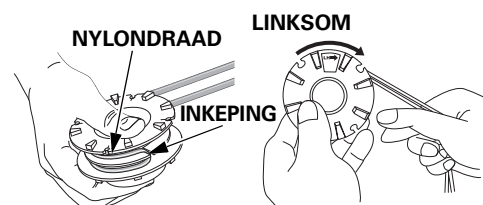
1. Verwijder het deksel van de behuizing. Druk de twee vergrendelingen van de behuizing in en trek het deksel naar beneden.



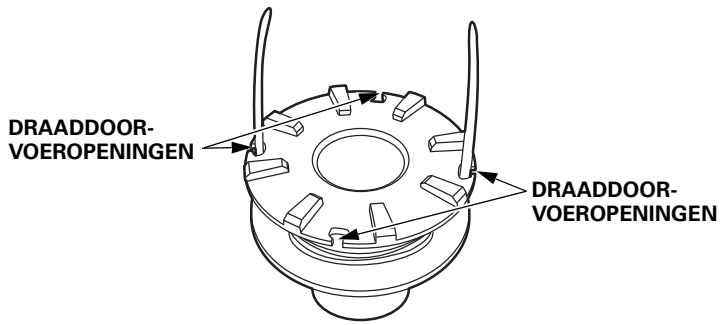
2. Trek de spoel van het deksel en verwijder het resterende deel van de nylondraad.



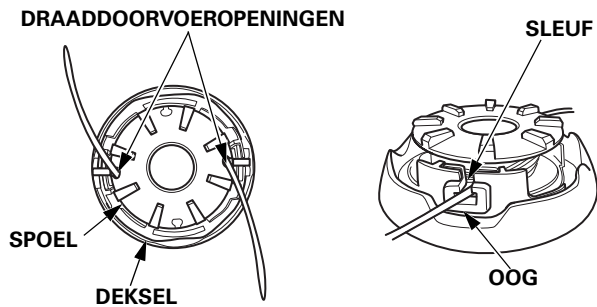
3. Knip een geschikte lengte nylondraad af en leg de uiteinden op elkaar.
4. Steek het midden van de nylondraad in de inkeping van de haspel en wikkel de nylondraad op door deze in de aangegeven richting te draaien.



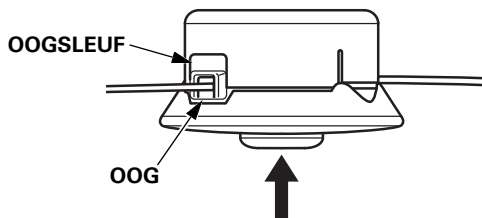
5. Steek beide nylondraden door een draaddoorvoeropening in de buitenste flens van de spoel en houd ze vast. Laat 10 cm draad uit de openingen steken. Laat de draden niet terug glijden.



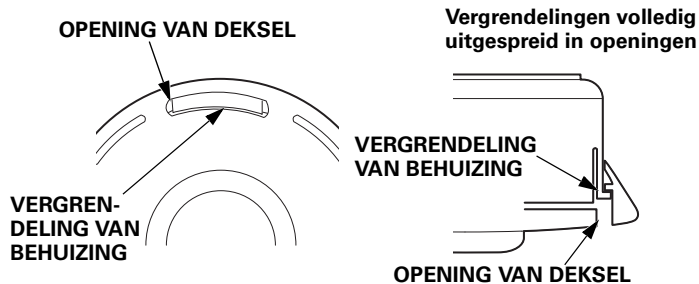
6. Plaats de spoel zodanig op het deksel dat de posities van de draaddoorvoeropening samen vallen met de ogen in het deksel. Voer de nylondraden door de ogen via de sleuven aan de bovenzijde van de ogen.



7. Lijn het oog uit met de oog sleuf van de behuizing en plaats het deksel op de behuizing.



NB:  
Controleer of de vergrendelingen van de behuizing in elke opening van het deksel volledig zijn uitgespreid.

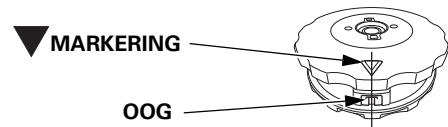


Type XEET:

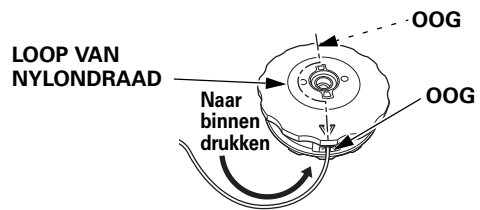
Aanbevolen specificaties nylondraad:

Standaard diameter nylondraad: 3,0 mm, Maximum lengte: 5,0 m

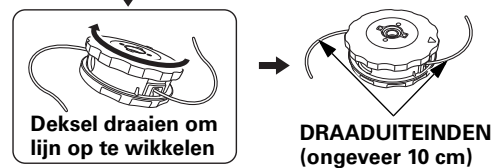
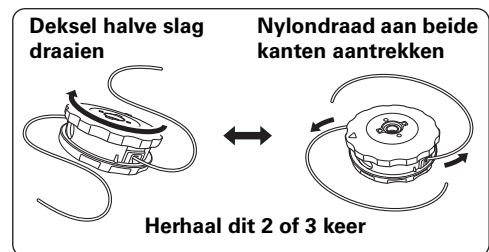
1. Lijn de markering ▼ uit met het oog.



2. Knip een geschikte lengte nylondraad af. Steek de nylondraad vanaf de linkerzijde door het oog zoals aangegeven in de afbeelding. Door het aanbrengen vanaf deze kant kan de draad soepel naar de andere kant van het gat worden gedrukt.  
3. Duw de nylondraad naar binnen totdat de punt van de draad aan de andere kant uit het oog tevoorschijn komt.



4. Trek de nylondraad naar buiten totdat de draadlengte aan beide zijden hetzelfde is.  
5. Houd de spoel vast en draai het deksel een halve slag in de aangegeven richting om de nylondraad op te wikkelen. Trek de nylondraad aan beide kanten aan om de opgerolde draad in de spoel strak te trekken, draai vervolgens het deksel een halve slag en trek de nylondraad opnieuw aan. Herhaal deze procedure 2 of 3 keer. Draai vervolgens het deksel totdat de lengte van elk draaduiteinde ongeveer 10 cm is.



## Stalen snijgereedschap vervangen

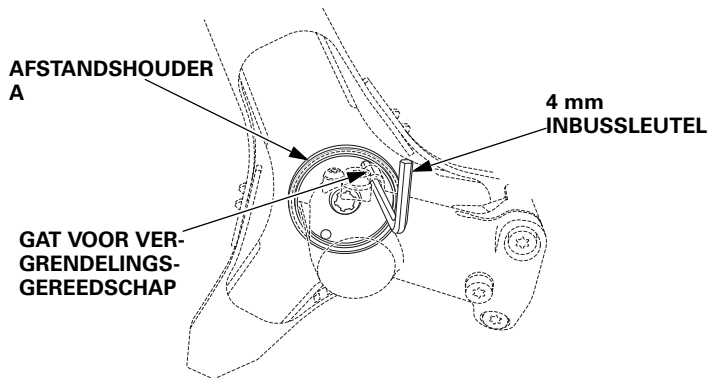
### VOORZICHTIG:

- Draag zware handschoenen om uw handen te beschermen wanneer u onderhoud uitvoert rond het snijwerktuig.
- Om persoonlijk letsel te voorkomen, monteert u de snijgereedschapskap op het stalen snijgereedschap voordat u onderhoud rond het stalen snijgereedschap gaat verrichten.

Zie pagina 14 voor het monteren van de snijgereedschapskap.

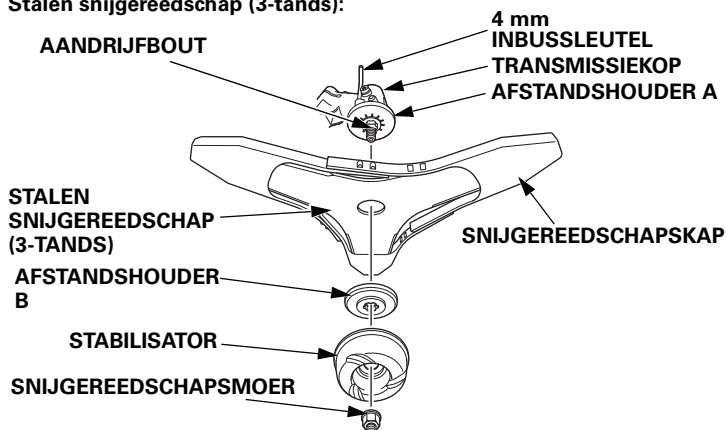
Demontage:

1. Stop de motor door de motorschakelaar in de UIT-stand te zetten.
2. Plaats de 4 mm inbussleutel in het gat van de vergrendeling. Draai het stalen snijgereedschap totdat u voelt dat de inbussleutel in het gat van de afstandhouder A valt. Zorg ervoor dat het stalen snijgereedschap niet draait.

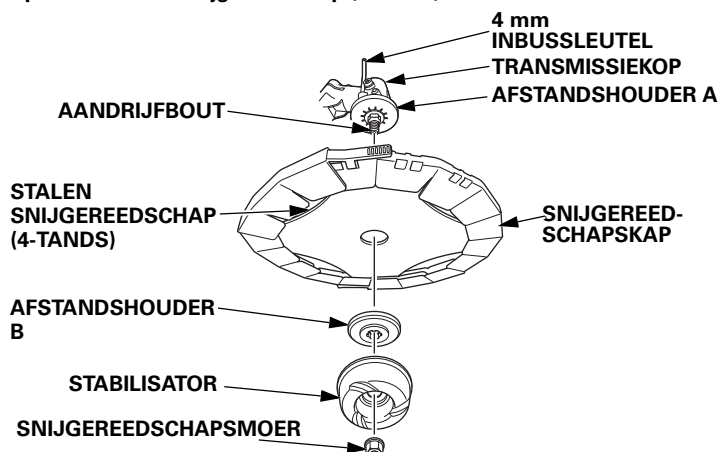


3. Draai de snijgereedschapsmoer los. De aandrijfbout en de snijgereedschapsmoer hebben linkse schroefdraad. Draai ze rechtsonder om ze los te maken. Let op de volgorde en richting van de onderdelen bij het verwijderen.

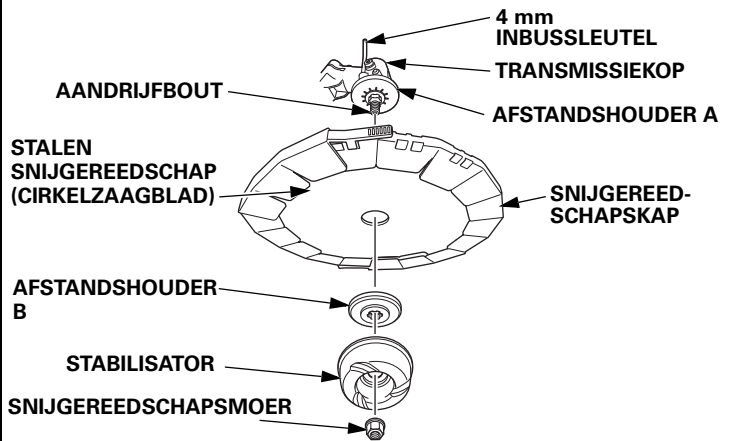
Stalen snijgereedschap (3-tands):



Optioneel stalen snijgereedschap (4-tands):



Optioneel stalen snijgereedschap (cirkelzaagblad):



Montage:

Zie pagina 10 voor het monteren van het stalen snijgereedschap.

## MOTOROLIE VERVERSEN

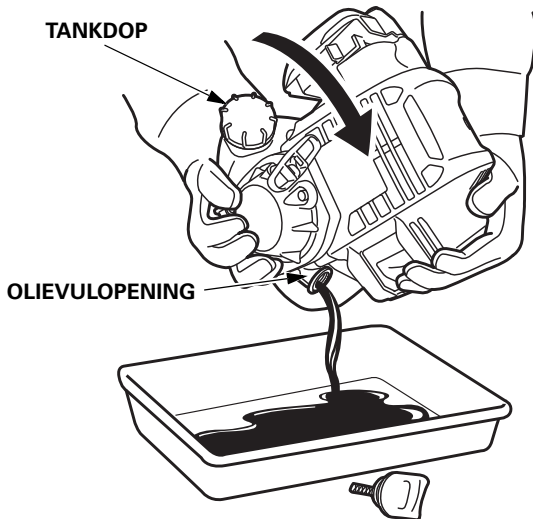
NB:

- Als de motor draait met een te laag oliepeil, kan er ernstige motorschade ontstaan.
- Het gebruik van ongedoopte olie of tweetaktmotorolie kan de levensduur van de motor verkorten.

NB:

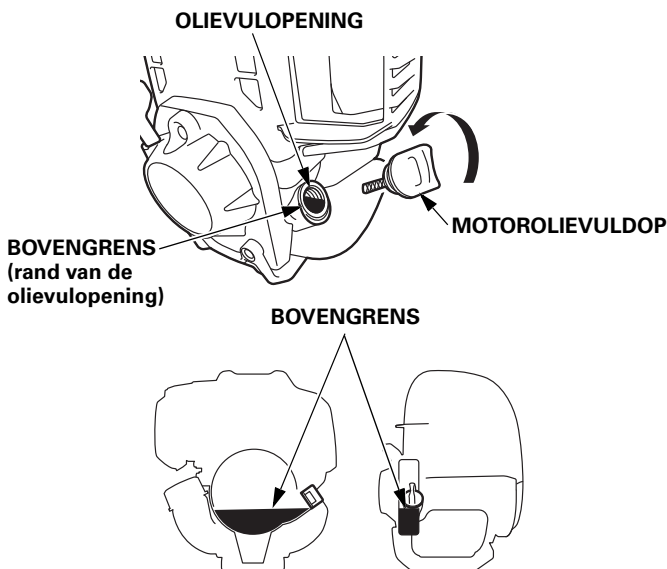
Tap de olie af terwijl de motor nog warm is, zodat de olie snel en volledig uit de motor kan stromen.

1. Controleer of de dop van de brandstoftank is vastgedraaid.
2. Verwijder de olievuldop en laat de olie in de olieopvangbak stromen door de motor in de richting van de olievulopening te kantelen.



3. Vul bij met de aanbevolen olie tot aan de bovengrens (rand van de olievulopening).
4. Breng de olievuldop weer aan.

VULHOEVEELHEID MOTOROLIE: 130 cm<sup>3</sup> (0,13 l)



Was uw handen met water en zeep na het werken met gebruikte olie.

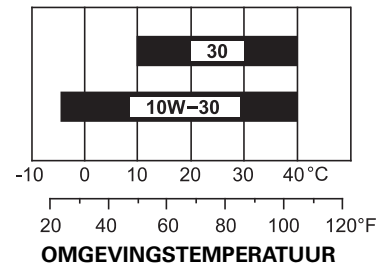
NB:

Voer verbruikte motorolie op correcte wijze af, zodat u het milieu geen schade toebrengt. Wij adviseren de olie in een afgesloten verpakking bij uw plaatselijke afvalscheidingsstation in te leveren voor hergebruik. Gooi de olie niet weg bij het huisvuil en giet hem niet op de grond.

## Aanbevolen motorolie

Gebruik 4-taktmotorolie die voldoet aan de eisen voor API-classificatie SE of hoger (of een gelijkwaardige classificatie). Controleer altijd of op het API-servicelabel op de flacon van de olie de aanduiding SE of hoger (of een gelijkwaardige classificatie) staat vermeld. SAE 10W-30 is voorgeschreven voor algemeen gebruik. Andere viscositeitsklassen die in het schema staan aangegeven, kunt u gebruiken als de gemiddelde temperatuur in uw omgeving binnen het aangeduide bereik ligt.

Vereiste smeeroliespecificatie(s) om een goede werking van het emissieregelsysteem te waarborgen: Originele Honda-olie.



## LUCHTFILTER REINIGEN

Een vervuild luchtfilter belemmert de luchtstroming naar de carburateur. Reinig het luchtfilter regelmatig om storingen aan de carburateur te voorkomen. Voer vaker onderhoud uit wanneer u de bosmaaier op extreem stoffige plaatsen gebruikt.

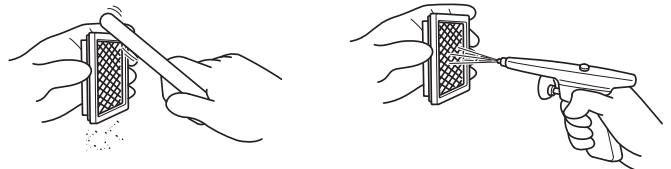
### ▲ WAARSCHUWING

**Gebruik nooit benzine of snel ontvlambare oplosmiddelen om het luchtfilterelement te reinigen. Dit kan een brand of explosie tot gevolg hebben.**

Verwijder het luchtfilterelement om het te reinigen.

Zie pagina 15 voor het verwijderen van het luchtfilterelement.

Tik een paar keer met het papieren luchtfilterelement op een hard oppervlak om vuil te verwijderen of blaas het filterelement vanaf de zijde van het luchtfilterhuis door met perslucht [maximale druk 200 kPa (2,0 kgf/cm<sup>2</sup>)]. Borstel vuil nooit weg, u drukt de vuildeeltjes zo in de vezelstructuur. Vervang het luchtfilterelement als het sterk vervuild is.



Monteer het luchtfilter na het reinigen correct in het luchtfilterhuis.

Zie pagina 15 voor het monteren van het luchtfilterelement.

NB:

Laat de motor nooit draaien zonder het luchtfilter, omdat dit leidt tot snelle motorslijtage.



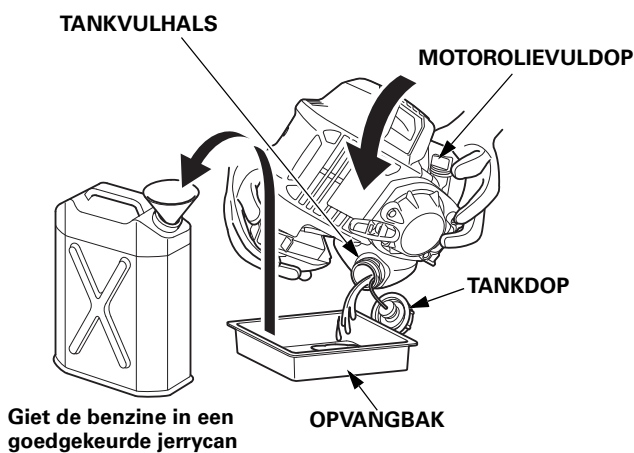
## BRANDSTOFFILTER EN BRANDSTOFTANK REINIGEN

### ▲ WAARSCHUWING

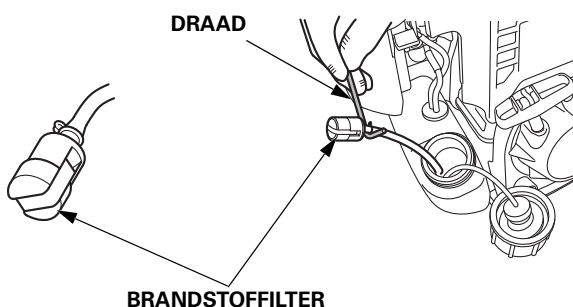
- Benzine is uiterst ontvlambaar en explosief onder bepaalde omstandigheden.
- Voer werkzaamheden uit in een goed geventileerde omgeving met de motor uitgeschakeld. Rook niet en voorkom vlammen en vonken in het gebied waar de tank wordt bijgevuld en waar benzine is opgeslagen.
- Pas op dat u geen brandstof morst tijdens het bijvullen. Gemorste brandstof of brandstofdamp kan ontbranden. Als er brandstof is gemorst, zorg er dan voor dat het gebied weer droog is voordat u de motor start.
- Vermijd herhaaldelijk of langdurig contact met de huid of inademing van dampen.
- BUITEN BEREIK VAN KINDEREN HOUDEN.

Houd er rekening mee dat door een verstopt brandstoffilter de motor minder goed kan presteren. Water en stof, vuil of verontreinigd materiaal in de brandstoftank leiden tot slechte motorprestaties.

1. Zorg ervoor dat de motorolievuldop stevig is vastgedraaid.
2. Verwijder de tankdop en laat de benzine in de opvangbak stromen door de motor in de richting van de tankvulhals te kantelen.



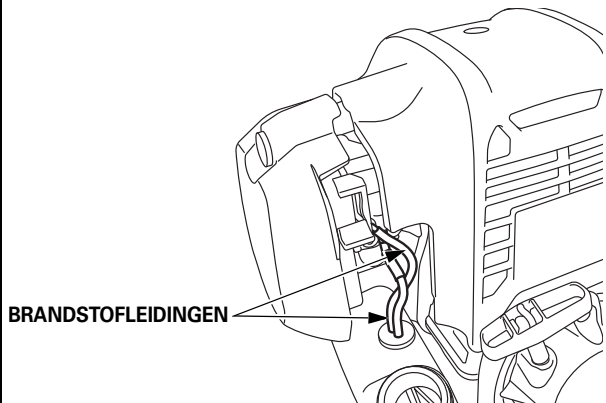
3. Trek het brandstoffilter voorzichtig met een draad (zoals een rechtgebogen paperclip) uit de tankvulhals.



4. Inspecteer het brandstoffilter op vervuiling. Als het brandstoffilter vuil is, spoel het dan voorzichtig uit met een niet of moeilijk ontvlambaar oplosmiddel. Vervang het brandstoffilter indien het sterk is vervuild.
5. Verwijder in de tank achtergebleven water en vuil door de binnenzijde van de tank schoon te spoelen met een niet of moeilijk ontvlambaar oplosmiddel.
6. Plaats het brandstoffilter terug in de tank en draai de tankdop stevig vast.

## BRANDSTOFLEIDINGEN CONTROLEREN

Controleer de brandstofleidingen op scheurtjes en andere beschadigingen en controleer of er geen brandstof lekt uit de leidingen. Als u abnormale symptomen bij de brandstofleidingen opmerkt, neem dan contact op met uw onderhoudsdealer.



## DE TRANSMISSIEKOP SMEREN

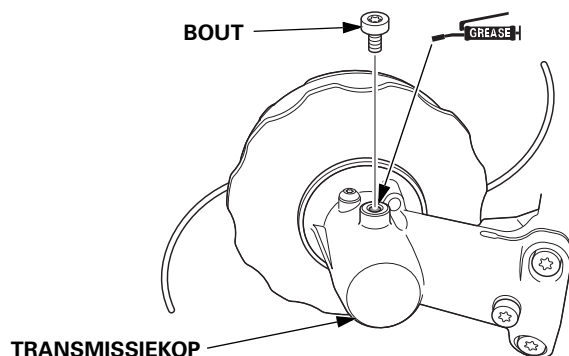
### ▲ WAARSCHUWING

- Om ernstig persoonlijk letsel te voorkomen moet u ervoor zorgen dat de motorschakelaar in de UIT-stand staat om onbedoeld starten te voorkomen.

### VOORZICHTIG:

- Draag zware handschoenen om uw handen te beschermen wanneer u onderhoud uitvoert rond het snijwerktuig.

1. Verwijder de bout van de transmissiekop.
2. Breng net zolang vet aan totdat het vet uit de transmissiekop loopt terwijl u langzaam aan het snijwerktuig draait. Maximale hoeveelheid vet:  
Typen UEET, LEET: 14,5 g  
Type XEET: 19,0 g
3. Monteer de bout.  
Zet de bout stevig vast. Aanhaalmoment van de bout: 6,9 N·m (0,7 kgf·m)  
Aanbevolen vet: Lithium Complex Moly, NLGI klasse 2= penetratie is ongeveer 290 (Equivalent van Molyloc Nr.2 JXTG Nippon Oil & Energy Corporation)





## TRANSPORT

### VOORZICHTIG:

- Om persoonlijk letsel te voorkomen, monteert u de snijgereedschap op het stalen snijgereedschap voordat u de bosmaaier vervoert.

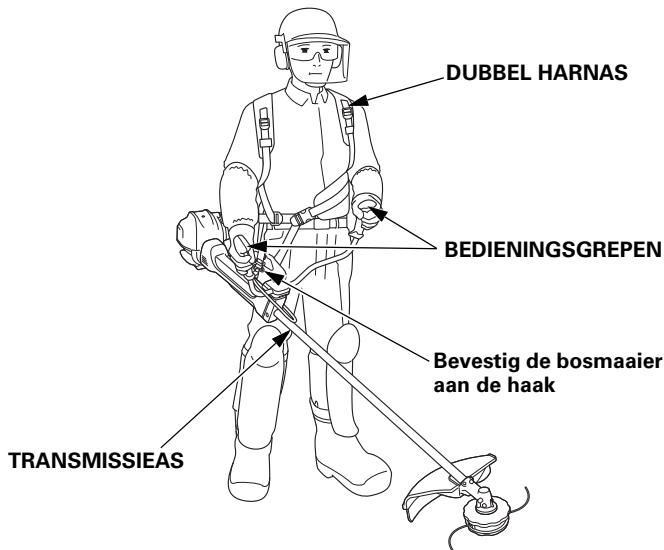
Zie pagina 14 voor het monteren van de snijgereedschap.

Zet de motorschakelaar in de UIT-stand. Zorg ervoor dat de tankdop stevig is vastgedraaid en de motor is afgekoeld.

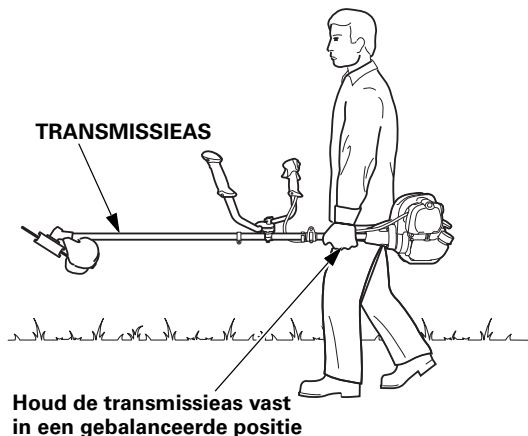
### DE BOSMAAIER MET DE HAND DRAGEN

Bevestig de bosmaaier aan de haak van het dubbele harnas en houd de bedieningsgrepen of de transmissieas vast om hem bij het dragen goed in balans te houden.

**Dragen door de bedieningsgrepen vast te houden:**



**Dragen door de transmissieas vast te houden:**



### DE BOSMAAIER PER VOERTUIG TRANSPORTEREN

Zet de bosmaaier horizontaal en zorg ervoor dat hij niet kan bewegen of vallen.

Klap de handgreepstang bij de typen UEET en XEET indien nodig in (zie pagina 13).

## OPSLAG

Goede opslag is essentieel om uw bosmaaier technisch en optisch in goede staat te houden. De volgende stappen helpen voorkomen dat roest en corrosie afbreuk doen aan uw bosmaaier.

### VOORZICHTIG:

- Als de bosmaaier heeft gedraaid is de motor erg heet; laat deze afkoelen voordat u verdergaat.
- Plaats de bosmaaier op een vlakke ondergrond en zorg ervoor dat de motorschakelaar in de UIT-stand staat om te voorkomen dat de motor per ongeluk wordt gestart.

### DE BOSMAAIER REINIGEN

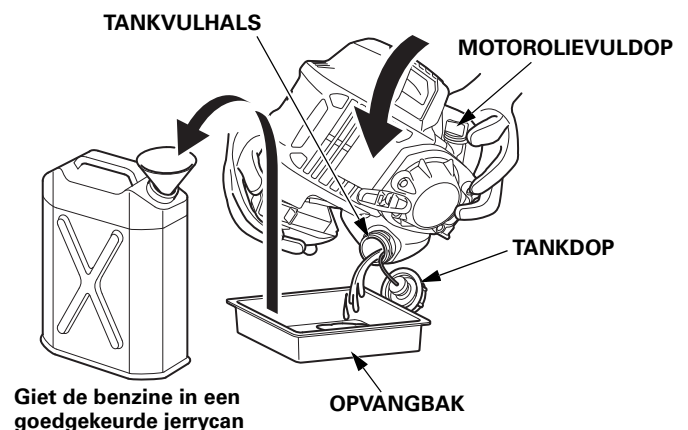
Reinig de motor aan de buitenzijde, werk beschadigde lak bij en smeer andere gedeelten die kunnen roesten licht in met olie.

### BRANDSTOF AFTAPPEN

#### ▲ WAARSCHUWING

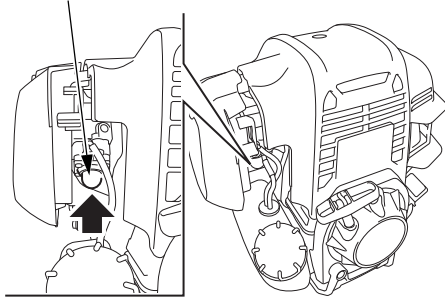
- Benzine is uiterst ontvlambaar en is explosief onder bepaalde omstandigheden.
- Voer werkzaamheden uit in een goed geventileerde omgeving met de motor uitgeschakeld. Rook niet en voorkom vlammen en vonken in het gebied waar de tank wordt bijgevuld en waar benzine is opgeslagen.
- Pas op dat u geen brandstof morst tijdens het bijvullen. Gemorste brandstof of brandstofdamp kan ontbranden. Als er brandstof is gemorst, zorg er dan voor dat het gebied weer droog is voordat u de motor start.
- Vermijd herhaaldelijk of langdurig contact met de huid of inademing van dampen.
- BUITEN BEREIK VAN KINDEREN HOUDEN.

1. Zorg ervoor dat de motorolievuldop stevig is vastgedraaid.
2. Verwijder de tankdop en laat de brandstof in de opvangbak stromen door de motor in de richting van de tankvulhals te kantelen.



3. Druk de opvoerpomp een aantal keren in totdat alle brandstof in de tank is teruggestroomd.

#### OPVOERPOMP



4. Kantel de motor nogmaals in de richting van de tankvulhals om de achtergebleven brandstof in de opvangbak te laten stromen.
5. Draai de dop van de brandstoftank stevig vast nadat u de brandstof volledig hebt afgetapt.
6. Start de motor en laat deze draaien totdat hij afslaat vanwege gebrek aan brandstof.

#### NB:

- Verouderde benzine kan onverwachte schade aan uw motor veroorzaken.
- Benzine moet worden bewaard in een schone jerrycan die uitsluitend voor benzine wordt gebruikt.
- Benzine moet worden bewaard op een koele en goed geventileerde plaats.
- Bewaar of vervoer geen benzine in PET-flessen (polyethyleentereftalaat).

#### MOTOROLIE VERVERSEN

Zie pagina 31 voor het verversen van de motorolie.

#### VOORZICHTIG:

De motor is erg heet als hij net heeft gedraaid. Laat hem afkoelen voordat u verdergaat.

#### HET LUCHTFILTER REINIGEN

Zie pagina 31 voor het reinigen van het luchtfilter.

#### LANGZAAM AAN DE STARTERHANDGREEP TREKKEN

Trek het startkoord langzaam uit totdat u weerstand voelt. Het opslaan in deze positie voorkomt interne corrosie.

#### OLIE OP HET STALEN SNIJGEREEDSCHAP AANBRENGEN

Breng een dunne laag olie op het stalen snijgereedschap aan om roest te voorkomen.

#### OPSLAAN

Sluit de choke (beweeg de chokhendel omhoog) en monteer de snijgereedschapskap.

Klap de handgriepstang bij de typen UEET en XEET indien nodig in (zie pagina 13).

Dek de bosmaaier af om stof geen kans te geven.

Als u hem in een verticale positie opslaat, moet de motor zich aan de onderkant bevinden om te voorkomen dat hij tijdens de opslag kan vallen.

Voer de controles voor het gebruik volledig uit voordat u de bosmaaier weer in gebruik neemt.

## PROBLEMEN OPLOSSEN

### MOTOR START NIET

1. Geen brandstof. Pagina 15
2. Motorschakelaar in UIT-stand. Pagina 23
3. Bougiedop los of niet goed geplaatst. -
4. Bougie defect of elektrodenafstand niet juist. -
5. Motor verzopen. Verwijder de bougie, maak deze met een doekje droog en plaats hem terug. -
6. Brandstoffilter is vervuild. Reinig het filter. Pagina 32

### MOTOR START MOEILIK OF VERLIEST VERMOGEN

1. Luchtfilter vervuild. Pagina 31
2. Vuildeeltjes in de brandstoftank. Pagina 32
3. Water in de brandstoftank. Pagina 32
4. Ventilatieopening in dop van brandstoftank en/of carburateur verstopt. -
5. De motor is te heet; de choke is gesloten. Open de choke. Pagina 23

### MOTOR DRAAIT ONGELIJKMATIG

1. Bougie defect of elektrodenafstand niet juist. -
2. Luchtfilter vervuild. Pagina 31

### MOTOR OVERVERHIT

1. De elektrodenafstand van de bougie niet juist. -
2. Luchtfilter vervuild. Pagina 31
3. Koelribben van motor verstopt. -
4. Oliepeil te laag. Pagina 14
5. Starterpoelie vervuild door grasmaaisel enz. -

### BOSMAAIER TRILT ABNORMAAL

1. Stalen snijgereedschap niet goed gebalanceerd of snijwerktuig niet goed gemonteerd. -
2. Bevestigingsbouten van motor zitten los. -

### BEDIENINGSGREEP TRILT ABNORMAAL (TYPE XEET)

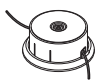







1. Ontkoppelframe functioneert slechter door schuiven van rubberen houder. -
2. Ontkoppelframe functioneert slechter door beschadiging van rubberen houder. -





Raadpleeg uw onderhoudsdealer voor de mogelijke oorzaken die niet in deze handleiding worden genoemd.

## ACCESSOIRES

### GANGBARE ONDERDELEN, VERBRUIKSPRODUCTEN

Verschillende accessoires worden meegeleverd met de maaier of zijn beschikbaar als optie, afhankelijk van het model. Als u die accessoires of onderdelen nodig hebt, kunt u terecht bij uw onderhoudsdealer voor aanschaf.

	UEET	LEET	XEET
Maaien en snoeien			
	Onderdeel	Flexibel snijgereedschap	
	Onderdeelnr.	72560-VL6-P31	72560-VR4-E21
Doornige hagen en takken			
	Onderdeel	Standaard stalen snijgereedschap (3-tands)	
	Onderdeelnr.	72511-VL6-P31	72511-VR4-E21
Grote grasvelden			
	Onderdeel	Optioneel stalen snijgereedschap (4-tands)	
	Onderdeelnr.	72511-VF9-E32 (Ø230 mm) 72512-VL6-P31 (Ø255 mm)	
Knoestige takken en struiken (optioneel voor typen UEET en XEET)			
	Onderdeel	Optioneel stalen snijgereedschap (cirkelzaagblad)	
	Onderdeelnr.	72511-VL6-H31	72511-VL6-H31
Standaard beschermkap voor flexibel snijgereedschap en stalen snijgereedschap (3-tands, 4-tands)			
	Onderdeel	Standaard beschermkap	
	Onderdeelnr.	76240-VR4-E01	
Optionele beschermkap voor stalen snijgereedschap (cirkelzaagblad)			
	Onderdeel	Optionele beschermkap	
	Onderdeelnr.	76247-VL6-J31	76247-VL6-J31
Snijgereedschapskap voor stalen snijgereedschap (3-tands) voor typen UEET en LEET en alle optionele stalen snijgereedschappen			
	Onderdeel	Snijgereedschapskap	
	Onderdeelnr.	72534-VJ3-681	
Snijgereedschapskap voor stalen snijgereedschap (3-tands) voor type XEET			
	Onderdeel	Snijgereedschapskap	
	Onderdeelnr.	72534-VR4-E21	

Gangbare onderdelen		
	Onderdeel	LuchtfILTER
	Onderdeelnr.	17211-Z3F-000
	Onderdeel	Bougie
	Onderdeelnr.	31915-Z0H-003
	Onderdeel	Startkoord
	Onderdeelnr.	28462-ZM3-003
Verbruiksproducten		
	Onderdeel	Motorolie
	Onderdeelnr.	08221-888-010MP

De afbeeldingen in deze tabel zijn alleen voor illustratieve doeleinden. Ze kunnen afwijken van het daadwerkelijke product.

#### ▲ WAARSCHUWING

De hier vermelde toebehoren zijn specifiek ontworpen voor uw model en type bosmaaier. Voor uw eigen veiligheid is de montage van andere toebehoren strikt verboden.

### AFVOEREN

Bescherm het milieu en gooi dit product, de accu, de motorolie enz. niet achteloos weg bij het afval. Neem de plaatselijke wet- en regelgeving in acht of neem contact op met een erkende Honda-dealer voor het verantwoord afvoeren.

### TECHNISCHE INFORMATIE

#### AANPASSINGEN AAN DE CARBURATEUR VOOR GEBRUIK OP GROTE HOOGTE

Op grote hoogten is het standaard lucht-/brandstofmengsel van de carburateur te rijk. Hierdoor nemen de prestaties van de motor af en het brandstofverbruik toe. Door een te rijk mengsel raakt ook de bougie vervuild en zal de motor moeilijker starten. Bij langdurig gebruik op een afwijkende hoogte dan waarvoor deze motor is gecertificeerd, kunnen de emissies toenemen. De werking op grote hoogte kan worden verbeterd met specifieke aanpassing aan de carburateur. Als u de bosmaaier altijd gebruikt op een hoogte boven 1.500 meter, laat de carburateur dan aanpassen door uw onderhoudsdealer. Zolang u de motor na de daarvoor bedoelde aanpassing van de carburateur op grote hoogte blijft gebruiken, voldoet hij gedurende zijn gehele levensduur aan de emissienormen. Ook na aanpassing van de carburateur neemt het motorvermogen af met ca. 3,5% voor elke 300 meter toename in hoogte. De afname van het vermogen op hoogte zal echter groter zijn als de carburateur niet wordt aangepast.

#### VOORZICHTIG:

Na aanpassing van de carburateur voor gebruik op grote hoogte, is het lucht/brandstofmengsel te arm voor gebruik op lagere hoogten. Gebruik van de motor met aangepaste carburateur op een hoogte lager dan 1.500 meter kan tot oververhitting van de motor leiden, wat ernstige motorschade tot gevolg heeft. Wanneer u de motor weer op lage hoogten wilt gebruiken, laat uw onderhoudsdealer dan de oorspronkelijke fabrieksspecificaties van de carburateur herstellen.

## SPECIFICATIES

MODEL		UMK450E		
TYPE		UEET	LEET	XEET
Omschrijvingscode		HAMF	HANF	HAMF
Functie		Maaien van takken		
<b>FRAME</b>				
Type handgreep		Fietsstuurhandgreep	Beugelhandgreep	Fietsstuurhandgreep
Type koppeling		Centrifugaalkoppeling		
Snijwerktuig (flexibel snijgereedschap)	Type	Snijkop met nylondraad, Tap & Go		
	Diameter behuizing	444 mm		
Snijwerktuig (stalen snijgereedschap)	Type	3-tands mes		
	Totale diameter	255 mm		303 mm
Afmetingen Lengte x breedte x hoogte	Flexibel snijgereedschap	1870 x 670 x 520 mm	1870 x 385 x 280 mm	1880 x 670 x 585 mm
	Stalen snijgereedschap (3-tands)	1905 x 670 x 510 mm	1905 x 385 x 280 mm	1925 x 670 x 570 mm
Drooggewicht (zonder snijwerktuig, olie en brandstof)		8,1 kg	7,7 kg	9,4 kg
Maximale rotatiesnelheid van het snijwerktuig (maximum toerental met onbelaste, volledig gemonteerde maaier)	Flexibel snijgereedschap	7.100 min <sup>-1</sup> (tpm)	7.100 min <sup>-1</sup> (tpm)	7.400 min <sup>-1</sup> (tpm)
	Stalen snijgereedschap (3-tands)	8.150 min <sup>-1</sup> (tpm)	8.150 min <sup>-1</sup> (tpm)	7.900 min <sup>-1</sup> (tpm)
<b>MOTOR</b>				
Model		GX50T		
Omschrijvingscode		GCCFT		
Type		4-takt, bovenliggende nokkenas, ééncilinder, geforceerde luchtkoeling		
Cilinderinhoud		47,9 cm <sup>3</sup>		
Boring / slag		43,0 x 33,0 mm		
Nettovermogen* (SAE J1349)		1,4 kW (2,0 pk)/7.000 min <sup>-1</sup> (tpm)		
Nettokoppel max. van motor* (SAE J1349)		2,2 N·m (0,22 kgf·m)/5.000 min <sup>-1</sup> (tpm)		
Maximale rotatiesnelheid onbelast		Min. 10.000 min <sup>-1</sup> (tpm)		
Stationair toerental		3.100±200 min <sup>-1</sup> (tpm)		
Motorolie		4-taktmotorolie, API-classificatie SE of hoger (of een gelijkwaardige classificatie), SAE 10W-30		
Vulhoeveelheid motorolie		130 cm <sup>3</sup> (0,13 l)		
Brandstof		Loodvrije benzine E10		
Inhoud brandstoftank		630 cm <sup>3</sup> (0,63 l)		
Ontsteking		Magneto-transistor		
Bougie merk en type		NGK CMR5H		
Carburateur		Membraan		
Kooldioxide (CO <sub>2</sub> ) emissies**		Zie "CO <sub>2</sub> Information List" op <a href="http://www.honda-engines-eu.com/co2">www.honda-engines-eu.com/co2</a>		

\* Het nominale vermogen van de motor dat staat vermeld in dit document is het netto geleverd vermogen zoals getest bij een in serie geproduceerde motor van het modeltype GX50T, gemeten in overeenstemming met SAE J1349 bij 7.000 min<sup>-1</sup> (tpm) (nettovermogen) SAE J1349 en 5.000 min<sup>-1</sup> (tpm) (nettokoppel max.). Het geleverd vermogen van massaproductiemotoren kan hiervan afwijken. Het feitelijk geleverd vermogen voor de motor die uiteindelijk in het chassis wordt ingebouwd, kan afhangen van talloze factoren, zoals het toerental van de motor in de praktijk, de omgevingsomstandigheden, het onderhoud en andere variabelen.

\*\* De CO<sub>2</sub>-metingen zijn het resultaat van testen in een vaste testcyclus onder laboratoriumomstandigheden van een (moeder)motor die representatief is voor het motortype (de motorenfamilie), en geven geen enkele impliciete of expliciete garantie voor de prestaties van een specifieke motor.

<b>GELUID</b>						
Onderdelen  Typen		Equivalent geluidsdrumniveau aan het oor van de gebruiker (2006/42/EC, ISO 22868: 2011) (dB(A))	Meetonzekerheid (dB(A))	Gemeten geluidsvermogniveau (2000/14/EC) (dB(A))		Gewaarborgd geluidsvermogniveau (2000/14/EC) (dB(A))
					Meetonzekerheid (dB(A))	
UEET	Flexibel snijgereedschap	96,0	2,3	108,4	2,3	112
	Stalen snijgereedschap (3-tands)	94,1	1,6	103,0	1,6	112
	Stalen snijgereedschap (4-tands, Ø255 mm) (optie)	94,2	2,3	103,1	2,3	112
	Stalen snijgereedschap (4-tands, Ø230 mm) (optie)	94,3	1,9	103,1	1,9	112
	Stalen snijgereedschap (cirkelzaagblad) (optie)	94,7	6,4	106,1	6,4	112
LEET	Flexibel snijgereedschap	94,9	1,3	108,8	1,3	112
	Stalen snijgereedschap (3-tands)	92,7	1,4	103,1	1,4	112
	Stalen snijgereedschap (4-tands, Ø255 mm) (optie)	93,2	1,3	103,1	1,3	112
	Stalen snijgereedschap (4-tands, Ø230 mm) (optie)	93,1	1,5	103,0	1,5	112
XEET	Flexibel snijgereedschap	97,0	1,8	109,2	1,8	112
	Stalen snijgereedschap (3-tands)	95,4	1,4	103,4	1,4	112
	Stalen snijgereedschap (4-tands, Ø255 mm) (optie)	94,5	1,2	102,8	1,2	112
	Stalen snijgereedschap (4-tands, Ø230 mm) (optie)	95,1	1,6	102,6	1,6	112
	Stalen snijgereedschap (cirkelzaagblad) (optie)	94,7	4,1	105,7	4,1	112

<b>Trillingen</b>				
Onderdelen  Typen en meetposities			Equivalent trillingsniveau (2006/42/EC, ISO 22867: 2011) (m/s <sup>2</sup> )	
				Meetonzekerheid (m/s <sup>2</sup> )
UEET	Flexibel snijgereedschap	Linkerzijde	3,58	0,50
		Rechterzijde	3,80	0,50
	Stalen snijgereedschap (3-tands)	Linkerzijde	4,06	1,00
		Rechterzijde	3,39	0,90
	Stalen snijgereedschap (4-tands, Ø255 mm) (optie)	Linkerzijde	5,49	1,40
		Rechterzijde	3,96	1,00
	Stalen snijgereedschap (4-tands, Ø230 mm) (optie)	Linkerzijde	3,65	1,20
		Rechterzijde	2,54	0,60
Stalen snijgereedschap (cirkelzaagblad) (optie)	Linkerzijde	6,80	1,60	
	Rechterzijde	4,52	1,00	
LEET	Flexibel snijgereedschap	Achterzijde	5,90	0,90
		Voorzijde	4,77	1,40
	Stalen snijgereedschap (3-tands)	Achterzijde	5,58	0,50
		Voorzijde	4,89	2,10
	Stalen snijgereedschap (4-tands, Ø255 mm) (optie)	Voorzijde	5,66	0,80
		Achterzijde	5,91	0,40
Stalen snijgereedschap (4-tands, Ø230 mm) (optie)	Voorzijde	4,18	1,30	
	Achterzijde	5,81	0,80	
XEET	Flexibel snijgereedschap	Linkerzijde	2,30	0,60
		Rechterzijde	1,80	0,20
	Stalen snijgereedschap (3-tands)	Linkerzijde	2,45	0,48
		Rechterzijde	1,85	0,27
	Stalen snijgereedschap (4-tands, Ø255 mm) (optie)	Linkerzijde	2,25	0,41
		Rechterzijde	1,87	0,35
	Stalen snijgereedschap (4-tands, Ø230 mm) (optie)	Linkerzijde	2,30	0,64
		Rechterzijde	1,93	0,44
Stalen snijgereedschap (cirkelzaagblad) (optie)	Linkerzijde	2,36	0,50	
	Rechterzijde	2,15	0,20	





## INTRODUKTION

Tack för att du köpt en grästrimmer från Honda.

I den här bruksanvisningen finns information om användning och underhåll av Hondas grästrimmer UMK450E.

Honda France Manufacturing S. A. S. förbehåller sig rätten att ändra innehållet när som helst utan förvarning och utan att det medför några skyldigheter.

Bilderna i bruksanvisningen visar den modell som är bäst lämpad att illustrera det ämne som beskrivs.

De övriga bilderna som är gemensamma för alla typer är baserade på UMK450E XEET.

Bilderna på skärutrustningen i den här bruksanvisningen visar den typ som är bäst lämpad att illustrera det ämne som beskrivs.

De övriga bilderna som är gemensamma för alla typer är baserade på den flexibla skäranordningen eller stålklingan (3 tänder).

Bilderna i den här bruksanvisningen kan skilja sig från din modell.

Ingen del av detta dokument får reproduceras utan skriftligt tillstånd.

Bruksanvisningen ska betraktas som en permanent del av grästrimmern och ska medfölja den om grästrimmern säljs vidare.

### SÄKERHETSMEDDELANDE

Observera särskilt information som föregås av följande:

#### ▲ VARNING

Indikerar en stor risk för allvarliga personskador eller dödsfall om anvisningarna inte följs.

#### OBSERVERA:

Indikerar risk för personskada eller materialskador om anvisningarna inte följs.

#### ANMÄRKNING:

Innehåller praktisk information.

### LÄS INSTRUKTIONSBOKEN

Läs noga instruktionerna i den här bruksanvisningen innan du använder grästrimmern. Sätt dig in i hur den och dess reglage används på rätt sätt. Se till att du vet hur man snabbt stänger av motorn (se sidan 26).

Läs och förstå säkerhetsinstruktionerna på sidorna 2 till 4 innan du använder grästrimmern.

Hondas grästrimmers är utformade för säker och tillförlitlig drift om de hanteras enligt anvisningarna.

#### ▲ VARNING

**Särskilda ansträngningar för att säkerställa operatörens och andras säkerhet krävs när du arbetar med en grästrimmer. Se till att du har läst och förstått den här bruksanvisningen innan du använder grästrimmern. I annat fall finns det risk för personskada eller skador på utrustningen.**

Kontakta en serviceverkstad om problem uppstår eller om du har frågor om grästrimmern.

2019 - Honda France Manufacturing S.A.S. - Pôle 45 - Rue des Châtaigniers  
45140 ORMES - FRANKRIKE - Med ensamrätt

3RVR46000  
00X3R-VR4-6000

0919

Tryckt i Frankrike

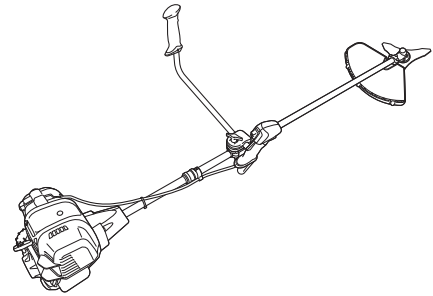
# HONDA

## BRUKSANVISNING

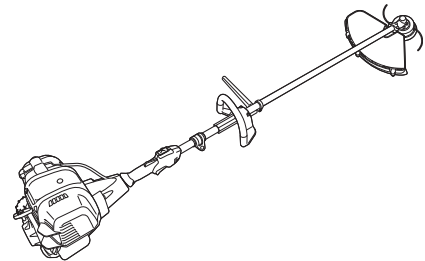
(Översättning av bruksanvisning i original)

### UMK450E Grästrimmers

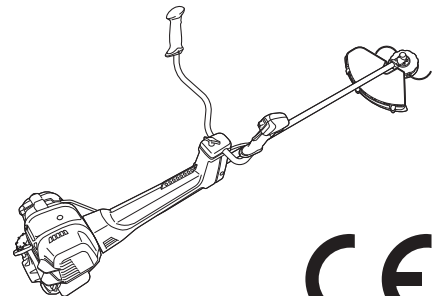
#### UEET-TYP



#### LEET-TYP



#### XEET-TYP

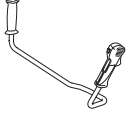



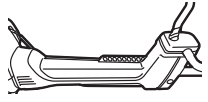


## INNEHÅLL

INTRODUKTION.....	1
SÅ HÄR IDENTIFIERAR DU MASKINEN.....	2
SÄKERHETSFÖRESKRIFTER.....	2
PLACERING AV SÄKERHETSDEKALER .....	4
IDENTIFIERING AV MASKINEN .....	5
IDENTIFIERING AV KOMPONENTER .....	6
MONTERINGSANVISNINGAR .....	8
REGLAGE OCH KOMPONENTER.....	11
KONTROLLER FÖRE ANVÄNDNING.....	14
START AV MOTORN .....	23
TRIMNING .....	24
STÅNGA AV MOTORN.....	26
UNDERHÅLL.....	27
TRANSPORT .....	33
FÖRVARING .....	33
FELSÖKNING .....	34
TILLBEHÖR.....	35
KASSERING.....	35
TEKNISK INFORMATION .....	35
SPECIFIKATIONER .....	36
Adresser till större Honda-återförsäljare .....	38
EG-försäkran om överensstämmelse SAMMANFATTNING ...	39

## SÅ HÄR IDENTIFIERAR DU MASKINEN

Grästrimmerns modellbeteckning finns angiven på identifieringsskylten i form av ett antal bokstäver.

	UEET	LEET	XEET
 Cykelhandtag	•*		•*
 Bygelhandtag		•	
 Flexibel skäranordning	•*	•*	•*
 Stålklinga (3 tänder)	•*	•*	•*
 Vibrationsdämpning			•

\* Specifikationerna kan variera för de olika typerna.

\* Se sidan 35 angående användning av skärutrustningar som tillval.

## SÄKERHETSFORESKRIFTER

### ANVÄNDARENS ANSVAR

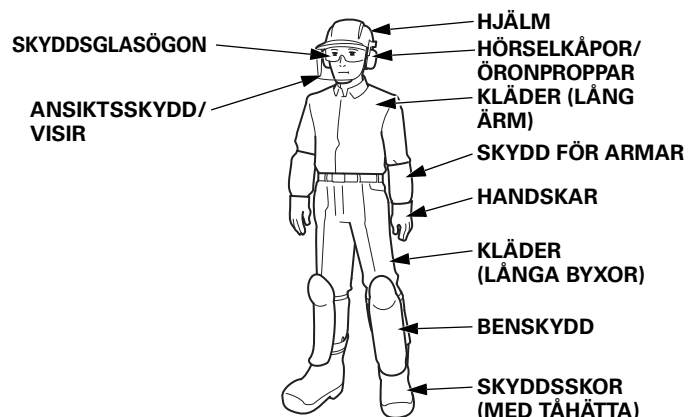
#### ▲ VARNING

- Använd inte grästrimmern när du är trött, sjuk eller påverkad av alkohol eller andra droger.
- Maskinens alla delar är en potentiell risk om maskinen används under onormala förhållanden eller om underhåll inte har utförts korrekt.
- Försök aldrig modifiera grästrimmern. Det kan orsaka olyckor eller skador på grästrimmern och annan utrustning. Om man mixtrar med motorn, upphäver detta EU-typgodkännande av denna motor.
  - Anslut inte en förlängning till ljuddämparen.
  - Modifiera inte insugningssystemet.
- Läs bruksanvisningen noggrant. Se till att du är väl insatt i hur de olika reglagen och grästrimmern används på rätt sätt. Se till att du vet hur man snabbt stänger av motorn.
- Använd endast grästrimmern till det den är avsedd för, dvs. att trimma gräs och sly.
 

All annan användning kan vara farlig eller resultera i skador på grästrimmern.

Grästrimmern ska inte användas för beskärning.
- Låt aldrig barn, eller personer som inte har läst bruksanvisningen, använda grästrimmern. Lokala bestämmelser kan inskränka åldern för operatören.

- Om du lånar ut eller säljer grästrimmern till tredje part är det ditt ansvar att instruera vederbörande om hur produkten ska hanteras och att bruksanvisningen måste läsas noggrant före användning.
- Använd aldrig grästrimmern när:
  - Det finns människor, särskilt barn eller husdjur i närheten.
- Använd aldrig maskinen i händelse av utmattnings- eller sjukdom hos användaren, eller efter konsumtion av läkemedel, droger, alkohol eller farliga ämnen som kan störa förmågan när det gäller reflexer och koncentration.
- Försäkra dig om att andra personer och husdjur befinner sig minst 15 meter från grästrimmern när den används. Om du använder dig av en medhjälpare måste denna person befinna sig minst 15 meter från dig. Vi rekommenderar också att ni kommer överens om en stoppsignal och andra signaler (operatör-medhjälpare) som ni använder för att öka säkerheten.
- Det är användaren som ansvarar för olyckor och faror som uppstår på andra personer och deras egendom.
- Bär alltid följande skyddskläder och skyddsanordningar när grästrimmern används.
  - Skyddskläder
    - Använd lämpliga kläder med långa ärmar och byxben. Kläderna ska sitta bra på kroppen och knappar samt dragkedjor ska vara stängda. Knäpp skjortor/jackor och manschetter.
    - Använd skydd för armarna.
    - Använd inte kläder med band, snoddar och/eller remsor, lösa kläder, slipsar, halsband osv. när du använder maskinen. De kan fastna i grästrimmern och orsaka skador. Sätt upp håret om du har långt hår (inget löst hår längre än till axlarna).
  - Skyddsanordningar
    - \* **Skyddsglasögon**
      - Använd skyddsglasögon eller andra ögonskydd för att skydda ögonen mot skräp som slungas ut av den roterande skärutrustningen.
    - \* **Hjälm**
      - Använd hjälm för att skydda huvudet mot överhängande grenar och fallande föremål.
    - \* **Ansiktsskydd/visir**
      - Använd ansiktsskydd/visir för att skydda ansiktet mot skräp som slungas ut av den roterande skärutrustningen.
    - \* **Hörselkåpor/öronproppar**
      - Använd hörselkåpor, öronproppar eller andra hörselskydd för att skydda din hörsel.
    - \* **Handskar**
      - Använd skyddshandskar för att skydda händerna.
    - \* **Skyddsskor**
      - Använd skyddsskor med anti-halksula och tåhätta för att skydda fötterna mot kringflygande skräp.
      - Använd inte grästrimmern om du är barfota eller bär sandaler.
      - Använd benskydd.
    - \* **Andningsskydd**
      - Vi rekommenderar att du använder andningsskydd om du lider av allergiska besvär som höstnuva osv.
      - Andningsskydd är ett effektivt skydd mot inandning av pollen som du kan köpa på apotek.



- Före varje användningstillfälle ska du inspektera grästrimmern visuellt. Kontrollera också att inga fästankordningar på skärutrustningen är skadade eller sitter lösa.
- Använd aldrig gräsklipparen om det finns risk för oväder med inslag av blixnar eller för storm.
- Gå när du arbetar med maskinen. Spring aldrig med den.
- Undvik att använda grästrimmern i branta sluttningar. Branta sluttningar är mycket hala så du kan glida ned.
- Använd inte grästrimmern om skärutrustningsskyddet, etiketter och andra delar har tagits bort. Observera att skärutrustningsskyddet är avsett att skydda användaren från skräp som den roterande skärutrustningen kastar ut. Använd aldrig grästrimmern när skärutrustningsskyddet är borttaget eller innan skärutrustningsskyddet har monterats ordentligt på rätt plats.
- Montera inte fel delar och manipulera inte grästrimmern eftersom det kan leda till person- och/eller utrustningsskador. Använd skärutrustningar som är avsedda för din grästrimmermodell och det arbete du använder den för.
- Innan du startar motorn ska du kontrollera att skärutrustningen inte kan komma i kontakt med marken eller något hinder. Om du inte gör det kan du tappa kontrollen över grästrimmern.
- Stå med händer och fötter på säkert avstånd från skärutrustningen när du startar motorn enligt anvisningarna.
- Grästrimmern ska startas på ett plant underlag, fritt från högt gräs och hinder.
- Lyft inte skärutrustningen över knähöjd när du använder trimmern. Du kan träffas i ögon och ansikte av skräp som slungas ut av den roterande skärutrustningen.
- Bär inte omkring grästrimmern när skärutrustningen roterar. Stanna motorn och kontrollera att skärutrustningen har slutat rotera innan du bär omkring grästrimmern.
- Stäng av motorn med motorbrytaren i läge OFF i följande situationer:
  - Innan du utför något arbete runt skärutrustningen.
  - Innan du kontrollerar, rengör eller utför arbeten på grästrimmern.
  - Efter att du kört på ett främmande föremål. Kontrollera om grästrimmern är skadad och utför eventuella reparationer innan du startar och använder grästrimmern igen.
  - Om grästrimmern börjar vibrera onormalt. Kontrollera genast orsaken till vibrationerna och utför nödvändig reparation.
  - När du lämnar grästrimmern utan uppsikt.
  - Innan du tankar.
  - Om en person eller ett husdjur närmar sig.
  - Stäng av motorn omedelbart om grästrimmern plötsligt börjar vibrera onormalt. Plötsliga vibrationer kan bero på skadade roterande delar eller lösa fästankordningar. Kontrollera orsaken till problemet och åtgärda det innan du startar motorn igen.
  - När trådar fastnar i den roterande skärutrustningen och snurrar runt. Avlägsna trådar när skärutrustningen har slutat rotera.
  - Försäkra dig om att skärutrustningen har slutat rotera innan du sätter ned grästrimmern på marken. Observera att skärutrustningen roterar av sin egen kraft efter att du har släppt gasreglaget och motorn går på tomgång.
- Avlägsna regelbundet trassligt gräs och sly från skärutrustningen (om den är blockerad ska området på skärutrustningen eller skärutrustningsskyddet rengöras när motorn stoppats).
- På maskiner med koppling ska du regelbundet kontrollera att skärutrustningen slutar rotera när motorn går på tomgång.
- Se till att handtagen är rena och torra samt fria från olja och annan smuts.
- Tomgångsvarvtalet måste justeras om grästrimmerns skärutrustning fortsätter att snurra när du släppt gasreglaget och motorn går på tomgång. Kontakta en serviceverkstad.
- Se till att alla muttrar, bultar och skruvar är åtdragna så att grästrimmern är i säkert arbetsskick. Regelbundet underhåll är av största vikt för att upprätthålla säkerheten för operatören och hög prestandanivå.
- Grästrimmern får inte användas med slitna eller skadade delar. Byt ut eller reparera skadade delar. Byt ut slitna eller skadade delar till Honda-originaldelar eller motsvarande. Delar som inte håller samma kvalitet kan skada maskinen och riskera din säkerhet.
- Justera grästrimmerns bärläge. Justera bara bärläget när motorn är avstängd. Justera dubbelselen så att snabbfästet är placerat på höften. Haka fast grästrimmern i dubbelselen. Justera dubbelselens längd så att skärutrustningen är parallell med marken samt en aning ovanför den. Observera att det kan vara svårt att hålla grästrimmern i rätt läge om du är mycket lång. Använd inte grästrimmern om skärutrustningen är nära dina fötter när du håller grästrimmern i rätt läge.
- Kontrollera balansen mellan grästrimmerns främre och bakre del för att förbättra kontrollen och underlätta användningen. Håll grästrimmern i rätt läge så som beskrivs i den här bruksanvisningen. Lätta greppet om handtaget gradvis. Släpp det inte, utan håll händerna lätt på handtaget och kontrollera att mellanrummet mellan skärutrustningen och marken inte ändras avsevärt. Om skärutrustningen lyfts ovanför knähöjd måste balansen justeras. Använd inte grästrimmern utan balansjustering.
- Håll grästrimmern i ett fast grepp med båda händerna under användning så att du alltid har full kontroll över grästrimmern.
- Skada orsakad av vibrationer och kyla: Du kan känna en stickande eller brännande känsla i fingrarna och fingrarna kan förlora färg och känsel beroende på din kropps-konstitution. Dessa problem tros uppstå på grund av vibrationer och/eller exponering för kyla. De specifika orsakerna till dessa symptom är ännu inte identifierade, men var uppmärksam på följande information.
  - Begränsa den tid som du använder grästrimmern varje dag. En dags arbete ska bestå av en kombination av användning av grästrimmern och annat arbete utan handhållen utrustning. På så sätt begränsar du den tid som dina händer utsätts för maskinvibrationer.
  - Håll kroppen varm, särskilt händer, handleder och armar.
  - Ta rast oftare och gör armövningar som förbättrar blodcirkulationen. Rök inte när du arbetar.
  - Om du upplever obehag och fingrarna blir röda och svullnar följt av att de blir vita och du tappar känsel ska du omedelbart kontakta läkare.
- Om du känner att grästrimmern vibrerar för mycket ska du lämna in grästrimmern för kontroll hos en serviceverkstad.
- Skada orsakad av repetitivt arbete: Om du utför repetitivt arbete under en längre tid kan det orsaka skada. Följ nedanstående anvisningar för att reducera skaderisken.
  - \* Undvik repetitivt arbete med handlederna i böjt, utsträckt eller vridet läge.
  - \* Ta regelbundna raster för att minimera påverkan av repetitivt arbete. Ta god tid på dig när du utför repetitivt arbete. Stressa inte när du använder grästrimmern.
  - \* Kontakta läkare om fingrar, händer, handleder och/eller armar bultar eller domnar.

## BARNSÄKERHET

- Håll barn inomhus och under uppsikt när den motordrivna grästrimmern används i närheten. Små barn rör sig snabbt och lockas av grästrimmern och röjningsarbetet.
- Förutsätt aldrig att barn finns kvar på den plats där du senast såg dem. Var uppmärksam och stäng av grästrimmern om det finns barn i närheten.
- Barn får inte använda grästrimmern, inte ens under vuxens överinseende.

## RISK FÖR KRINGFLYGANDE FÖREMÅL

Föremål som träffas av den roterande skärutrustningen kan slungas iväg av grästrimmern med stor kraft och orsaka allvarliga skador.

- Inspektera det område där grästrimmern ska användas noggrant och avlägsna alla föremål (stenar, grenar, trådar, ben osv.) som kan slungas iväg av den roterande skärutrustningen.

## RISK FÖR BRAND OCH BRÄNNSKADOR

Bensin är extremt lättantändligt och bensinångor kan explodera. Var mycket försiktig när du hanterar bensin. Förvara bensin utom räckhåll för barn.

- Förvara bränsle i behållare som är avsedda för detta ändamål.
- Tanka bara utomhus och rök inte när du tankar eller hanterar bensin.
- Tanka innan du startar motorn. Ta aldrig av tanklocket, eller fyll på bensin, när motorn är på eller när motorn är varm.
- Försök inte starta motorn om du spiller bensin. Flytta grästrimmern bort från spillområdet och undvik att orsaka gnistor innan bensinångorna har dunstat bort.
- Dra åt alla tank- och behållarlock ordentligt. Försäkra dig om att du står minst 3 meter från tankningsstället när du startar om motorn efter tankning.
- Förvara aldrig grästrimmern med bensin i tanken i en byggnad där ångor kan komma i kontakt med en öppen låga, gnistor eller heta värmekällor.
- Låt motorn svalna innan du ställer undan den i ett slutet utrymme.
- För att minska brandrisken ska grästrimmern och särskilt motorn, ljuddämparen samt det utrymme där bensinen förvaras, hållas fria från gräs, löv och överdrivna mängder smörjfett. Lämna inte behållare med organiskt material i eller nära byggnader.
- Om bensintanken måste tömmas, ska det ske utomhus och motorn vara kall.

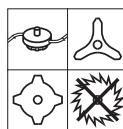
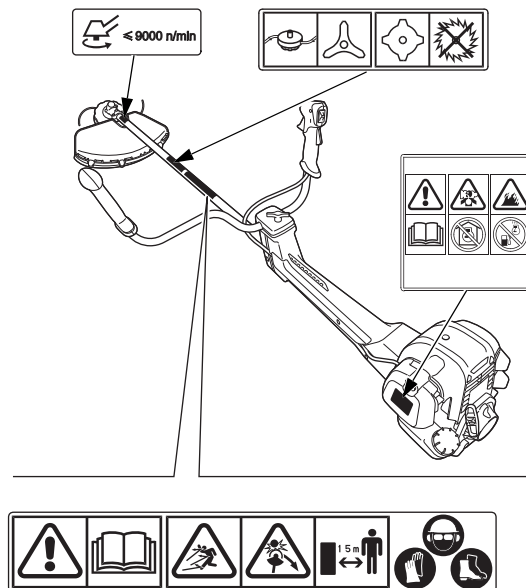
## FARA FÖR KOLMONOXIDFÖRGIFTNING

Avgaserna innehåller kolmonoxid, en färglös, luktfri och giftig gas. Inandning av avgaser kan leda till medvetslöshet eller dödsfall.

- Om du kör motorn i ett helt eller delvis inneslutet utrymme kan inandningsluften innehålla en farlig mängd avgaser. Se till att ventilationen är fullgod så att avgaserna inte ansamlas.
- Byt ljuddämparen om den är skadad.
- Kör inte motorn i ett slutet utrymme där farlig koloxid kan ansamlas.

## PLACERING AV SÄKERHETSDEKALER

Din grästrimmer måste användas med försiktighet. Därför har dekalerna anbringats på maskinen för att genom bilder påminna dig om viktiga säkerhetsåtgärder som måste vidtas vid användning. Deras betydelse beskrivs i detta kapitel. Dessa dekalerna utgör en del av grästrimmern. Om någon skulle lossna eller bli oläslig, ska du kontakta en serviceverkstad för byte.



- Hondas grästrimmers är säkra och tillförlitliga om de hanteras enligt anvisningarna. Läs bruksanvisningen noggrant och följ alla varningar och säkerhetsinstruktioner. Om du inte gör det kan det leda till personskada eller skada på grästrimmern.

- Håll personer och husdjur borta från grästrimmerns arbetsområde.
- Maskiner med stålklina kan kastas åt sidan med kraft om stålklina kommer i kontakt med ett hårt föremål. Försäkra dig om att andra personer och husdjur befinner sig minst 15 meter från grästrimmern när den används, annars finns det risk för att de kommer i kontakt med den roterande stålklina eller föremål som kastas upp av den roterande skärutrustningen.

- Använd ögon- och hörselskydd.
- Använd huvudskydd om det finns risk för fallande föremål.
- Bär halkfria skor och handskar.

- Grästrimmern ska användas med en nylontråd, metallklina eller cirkelsågklina. När du använder grästrimmern med en cirkelsågklina, byter du det vanliga skärutrustningsskyddet till skärutrustningsskyddet för cirkelsågklina som finns som tillval. Använd inte en cirkelsågklina med ett standard skärutrustningsskydd.



- När du byter stålklingan ska du använda en klinga som är utformad för en maximal rotationshastighet på 9 000 n/min eller högre.



- Bensin är mycket lättantändlig och explosiv. Stäng av motorn och låt den svalna före bränslepåfyllning.

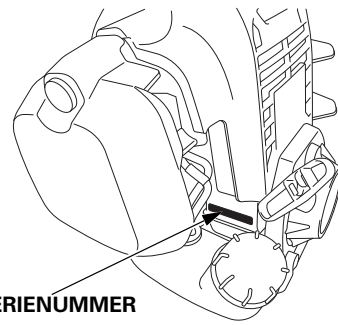


- Motorn avger giftig koloxid. Kör inte motorn i slutna utrymmen.

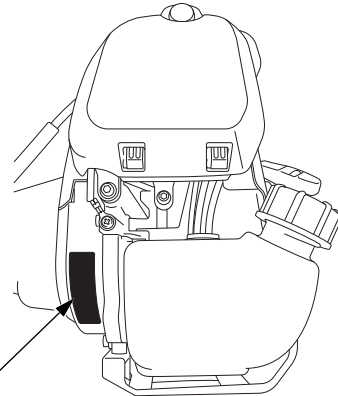


- Läs bruksanvisningen före användning.

## IDENTIFIERING AV MASKINEN

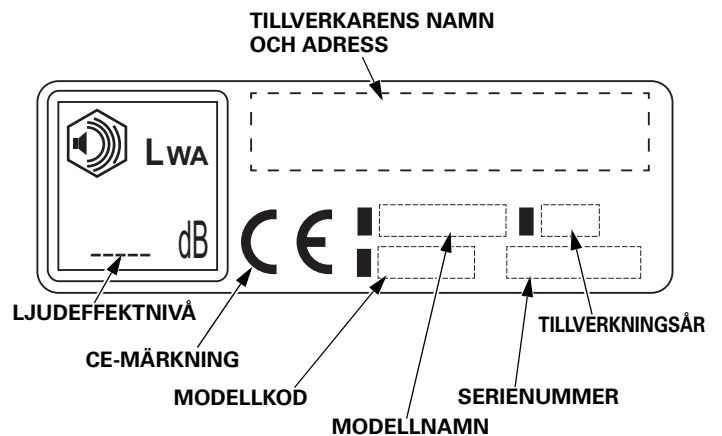


MOTORNS SERIENUMMER



IDENTIFIERINGSPLÅT

### IDENTIFIERINGSPLÅT



Anteckna serienumret på ramen, motorns serienummer och inköpsdatum i utrymmena nedan. Du behöver informationen vid beställning av delar och vid tekniska frågor eller garantifrågor.

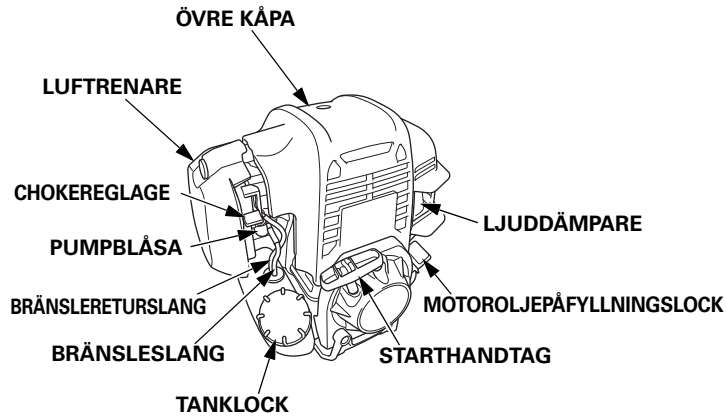
Ramens serienummer

Motorns serienummer

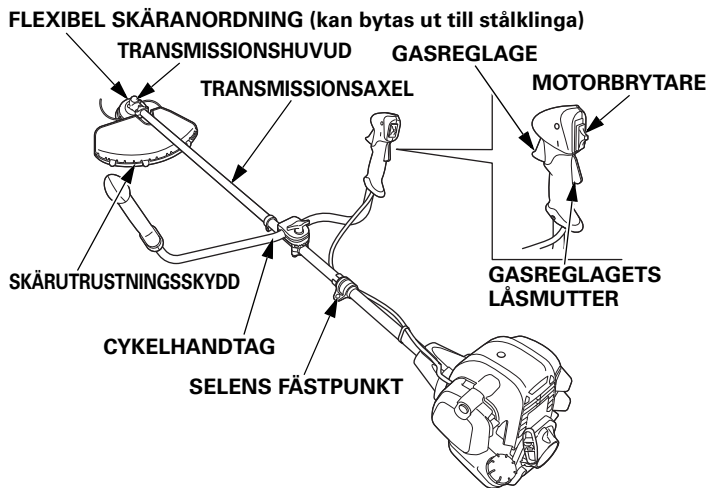
Inköpsdatum

## IDENTIFIERING AV KOMPONENTER

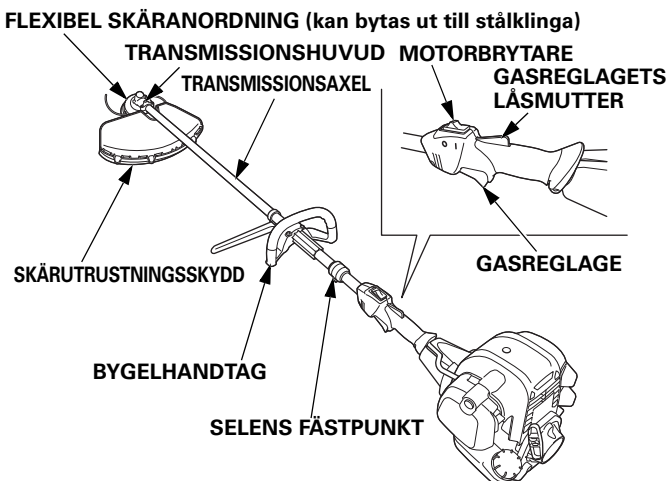
### MOTOR (ALLA TYPER):



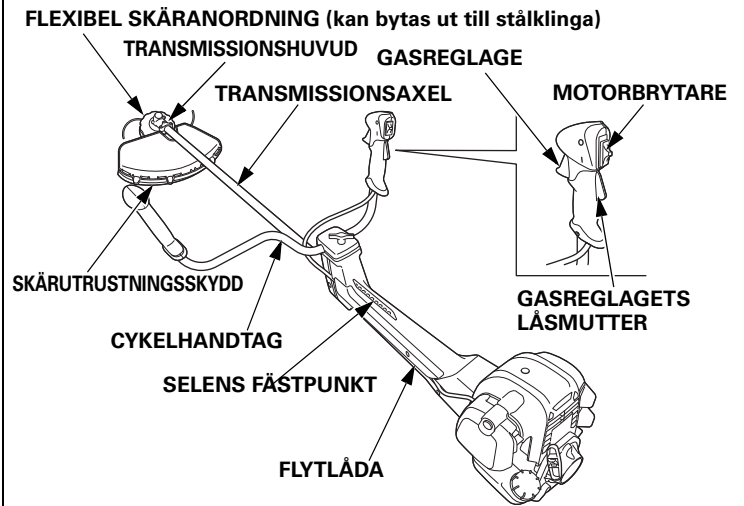
### RAM (UEET-TYP):



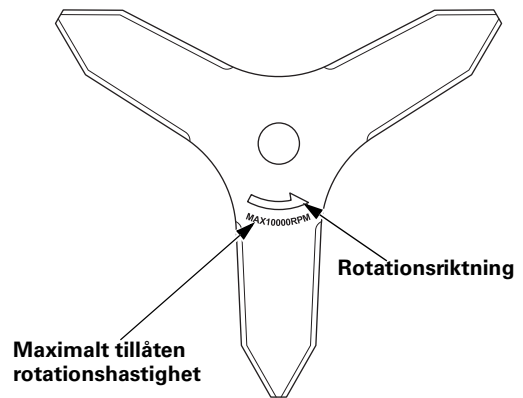
### RAM (LEET-TYP):



### RAM (XEET-TYP):



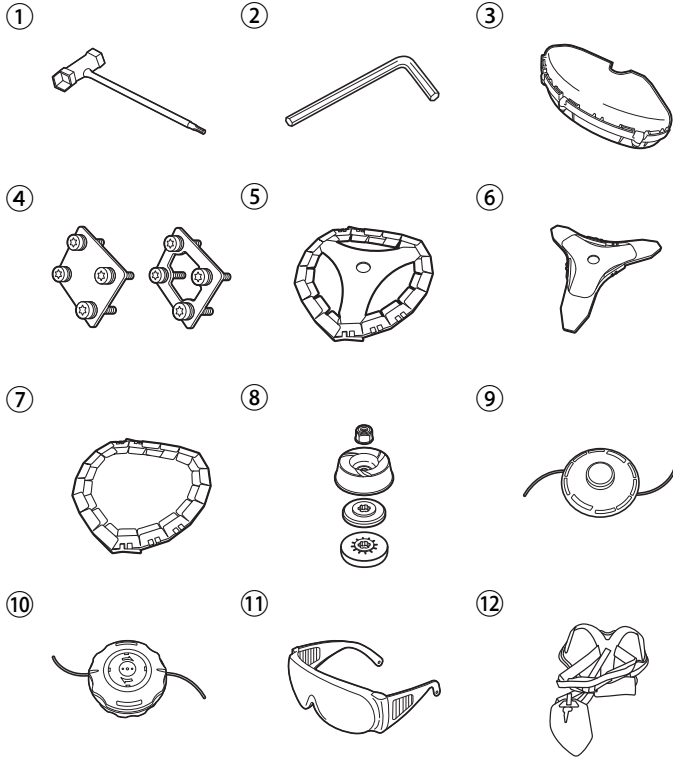
### STÄMPELNS BETYDELSE PÅ STÅLKLINGAN (3 TÄNDER):





## LÖSA DELAR

Se följande och kontrollera de medföljande delarna.



- ① 16 x 19 mm nyckel
- ② 4 mm sexkantsnyckel
- ③ Skärutrustningsskydd
- ④ Distansbricka och fyra bultar (vänster: UEET- och LEET-typer, höger: XEET-typ)
- ⑤ Stålklinga (3 tänder) och skydd (UEET- och LEET-typer)
- ⑥ Stålklinga (3 tänder) och skydd (XEET-typ)
- ⑦ Skärutrustningsskydd för stålklinga som tillval (XEET-typ)
- ⑧ Distansbricka A, distansbricka B, stabilisator och mutter för skärutrustning (från botten)
- ⑨ Flexibel skäranordning (UEET- och LEET-typer)
- ⑩ Flexibel skäranordning (XEET-typ)
- ⑪ Skyddsglasögon
- ⑫ Dubbelsele

## MONTERINGSANVISNINGAR

Korrekt montering är en grundläggande förutsättning för operatörens säkerhet och grässtrimmerns tillförlitlighet. Eventuella fel eller förbiseenden från personer som monterar eller underhåller grässtrimmern kan leda till felaktig funktion eller skador på grässtrimmern eller operatören.

### ⚠ VARNING

**Felaktig montering kan ge upphov till ett osäkert tillstånd med risk för allvarliga personskador och dödsfall. Följ anvisningarna för arbetsmomenten och försiktighetsåtgärderna i monteringsanvisningarna noggrant.**

### FYLLA PÅ MOTOROLJA

Grässtrimmern levereras UTAN OLJA i motorn. Fyll på rekommenderad olja (sidan 31) upp till den övre gränsen. Se sidan 31 när du ska fylla på motorolja.

### ANMÄRKNING:

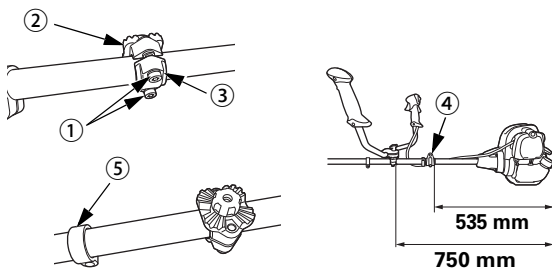
Motorn kan skadas allvarligt om den körs med för lite motorolja. Fyll på motorolja till den övre gränsen innan du använder grässtrimmern.

Använd inte olja utan renande egenskaper eller tvåtaktsmotorolja. Sådana oljor kan förkorta livslängden på motorn.

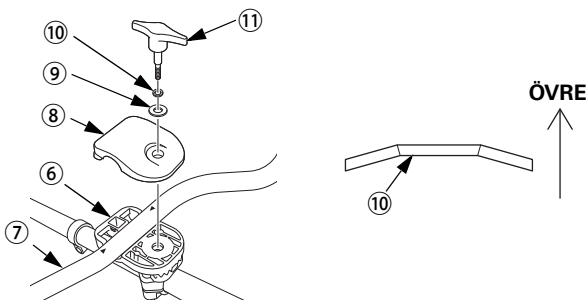
### MONTERING AV HANDTAG

#### UEET-typ

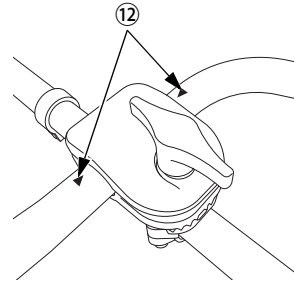
- Lossa de två bultarna ①. Skjut handtagshållaren B ② och handtagshållaren C ③ till standardläget (visas på bilden nedan) och dra åt de två bultarna ①. Åtdragningsmoment: 9,8 N·m (1,0 kgf·m). Kontrollera läget för selens fästpunkt ④. Standardlägena visas på bilden nedan. Handtagshållarens läge kan justeras efteråt vid behov. För säkerhetens skull får styrhandtaget och handtagshållaren inte monteras utöver skyddskragen ⑤.



- Placera handtagshållaren D ⑥ på handtagshållaren B ②. Placera sedan styrhandtaget ⑦ på handtagshållaren D ⑤. Montera handtagshållaren A ⑧, den släta brickan ⑨ och den koniska brickan ⑩. Dra åt handtagets justerbult ⑪ en aning. Kontrollera den koniska brickans riktning. Den konvexa sidan ska vara riktad mot den övre sidan.



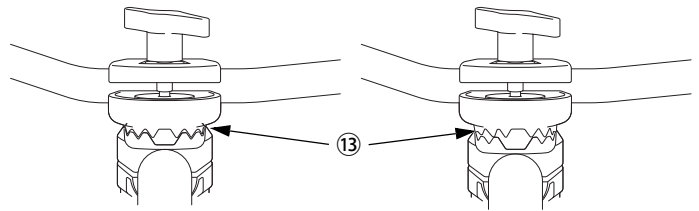
- Justera styrhandtagets sidoläge och vinkel. Två pilar ⑫ på styrhandtaget måste vara synliga. Se sidan 19 när du ska justera styrhandtagets vinkel.



- Montera de tandade ytorna ⑬ på rätt sätt och dra åt justerbulten ⑩ ordentligt.

RÄTT (de tandade ytorna passar korrekt)

FEL (de tandade ytorna passar inte)

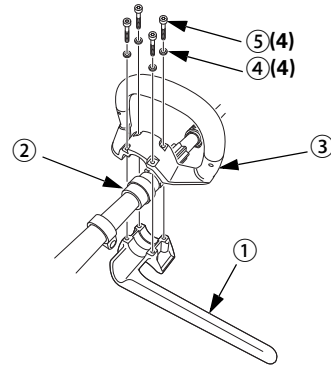


### ANMÄRKNING:

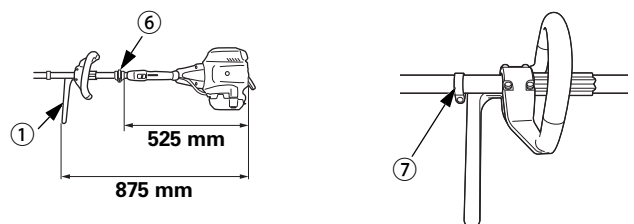
När du drar åt justerbulten ska du se till att de tandade ytorna sitter som de ska. Om justerbulten dras åt med de tandade ytorna i fel läge kan justerbulten skadas.

#### LEET-typ

- Placera skyddet ① på undersidan av gummit ② på transmissionsaxeln. Placera bygelhandtaget ③ på den övre sidan av gummit ②. Montera fyra brickor ④ och fyra bultar ⑤. Dra åt de fyra bultarna ⑤ en aning. Åtdragningsmoment: 1,8 N·m (0,2 kgf·m)



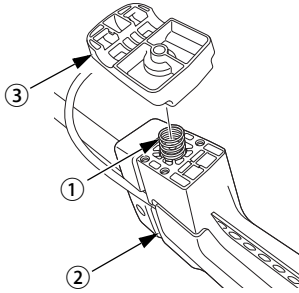
- Kontrollera läget för bygelhandtaget ① och selens fästpunkt ⑥. Standardlägena visas på bilden nedan. Justera lägena efter behov. Bygelhandtagets läge kan justeras efteråt vid behov. För säkerhetens skull får bygelhandtaget inte monteras utöver skyddskragen ⑦.



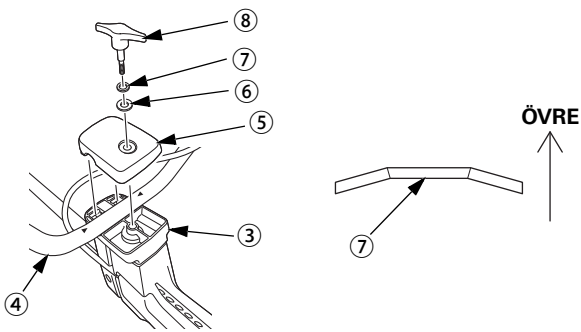
- Dra åt de fyra bultarna ⑤ ordentligt.

## XEET-typ

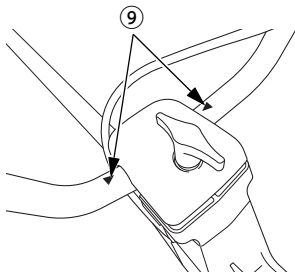
1. Placera fjädern ① på hålet på flytlådan ②. Placera sedan handtagshållaren B ③ på flytlådan ②.



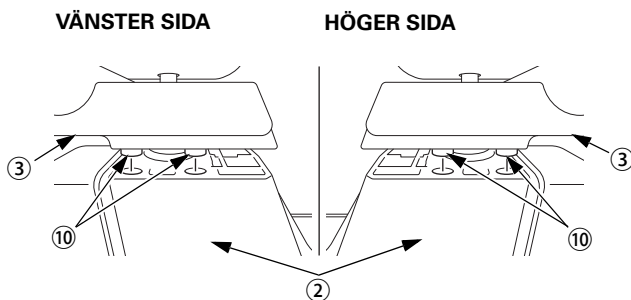
2. Placera styrhandtaget ④ på handtagshållaren B ③. Montera handtagshållaren A ⑤, den släta brickan ⑥ och den koniska brickan ⑦. Dra åt handtagets justerbult ⑧ en aning. Kontrollera den koniska brickans riktning. Den konvexa sidan ska vara riktad mot den övre sidan.



3. Justera styrhandtagets sidoläge och vinkel. Två pilar ⑨ på styrhandtaget måste vara synliga. Se sidan 19 när du ska justera styrhandtagets vinkel.



4. Tryck lätt på handtagshållaren A ⑤ och dra åt handtagets justerbult ⑧ ordentligt. Se till att de fyra tungorna ⑩ på handtagshållaren B ③ är inkopplade i hålen på flytlådan ②.



## MONTERA SKÄRUTRUSTNINGEN

### ⚠ VARNING

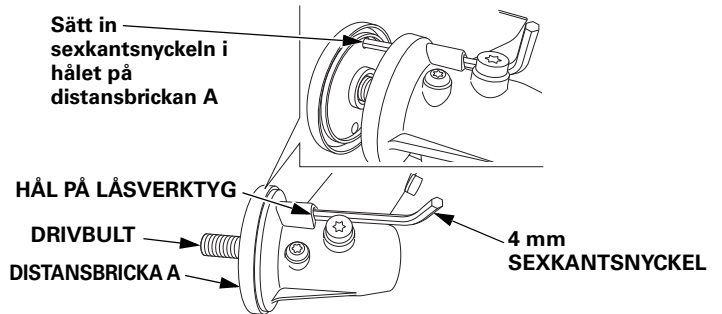
- För att undvika allvarliga personskador ska du se till att motorbrytaren är i läget OFF så att motorn inte startar av misstag.
- För säkerhetens skull ska du kontrollera skärutrustningen för slitage och skador samt skärutrustningens åtdragning innan du startar motorn. Om du använder grässtrimmern med sliten, sprucken eller skadad skärutrustning kan det orsaka personskador eller skador på grässtrimmern. En sliten, sprucken eller skadad skärutrustning kan gå sönder och delar av den skadade utrustningen kan träffa operatören eller kringstående och orsaka dödsfall eller allvarliga skador.

### OBSERVERA:

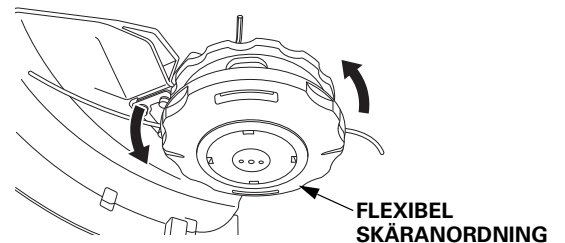
- Använd grova skyddshandskar när du underhåller runt skärutrustningen.

### Flexibel skäranordning

1. Se till att distansbrickan A är monterad i transmissionshuvudet.
2. Sätt in 4 mm sexkantsnyckeln i hålet på låsverktyget för att förhindra att drivbulten vrids runt.



3. Vrid den flexibla skäranordningen moturs för att montera den på transmissionshuvudet.



## Stålklinga

### OBSERVERA:

- För att undvika personskador ska du montera skyddet på stålklingan innan du underhåller runt stålklingan.

Se sidan 14 när du ska montera skärutrustningens skydd.

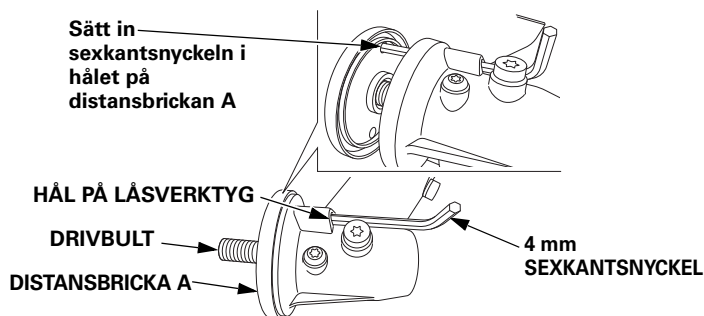
Specifikationer för stålklinga (3 tänder):

UEET-, LEET-typer: Diameter 255 mm, klinga med 3 tänder, maximalt tillåten rotationshastighet mindre än  $10\,000\text{ min}^{-1}$  (varv/min)

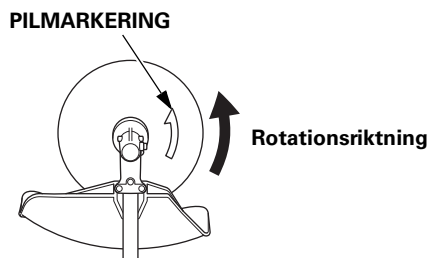
XEET-typ: Diameter 303 mm, klinga med 3 tänder, maximalt tillåten rotationshastighet mindre än  $10\,000\text{ min}^{-1}$  (varv/min)

Kontakta en serviceverkstad angående tillbehörsklingor av stål.

- Sätt in 4 mm sexkantsnyckeln i hålet på låsverktyget för att förhindra att drivbulten vrids runt.

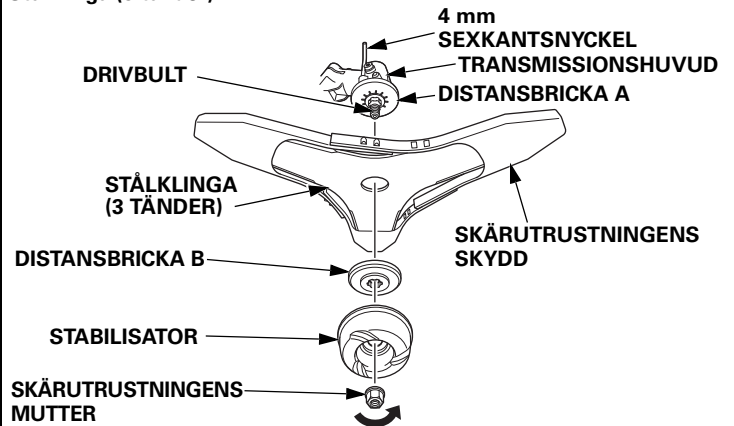


- Montera stålklingan. Se till att den utskjutande delen på distansbrickan A är i linje med hålet på klingan. Kontrollera pilmarkeringen på stålklingan och montera den i rätt riktning.

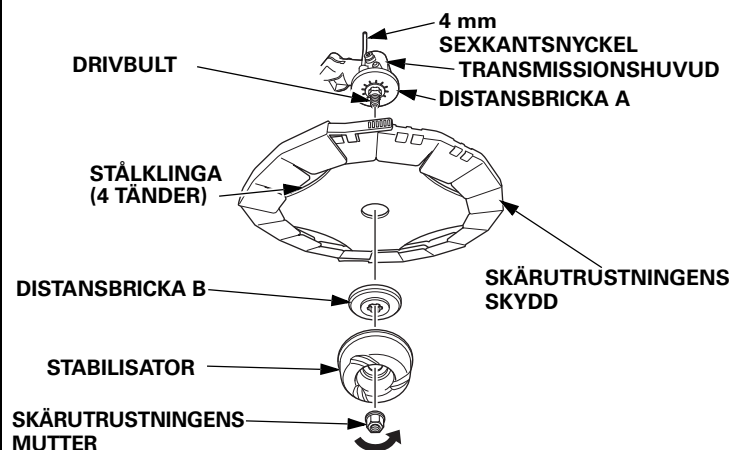


- Montera distansbrickan B, stabilisatorn och skärutrustningens mutter. Dra åt skärutrustningens mutter till angivet moment. Drivbulten och skärutrustningens mutter är vänstergängade. Vrid moturs för att montera. Åtdragningsmoment för skärutrustningens mutter:  
UEET, LEET:  $19,2\text{ N}\cdot\text{m}$  ( $1,9\text{ kgf}\cdot\text{m}$ )  
XEET:  $29,0\text{ N}\cdot\text{m}$  ( $3,0\text{ kgf}\cdot\text{m}$ )

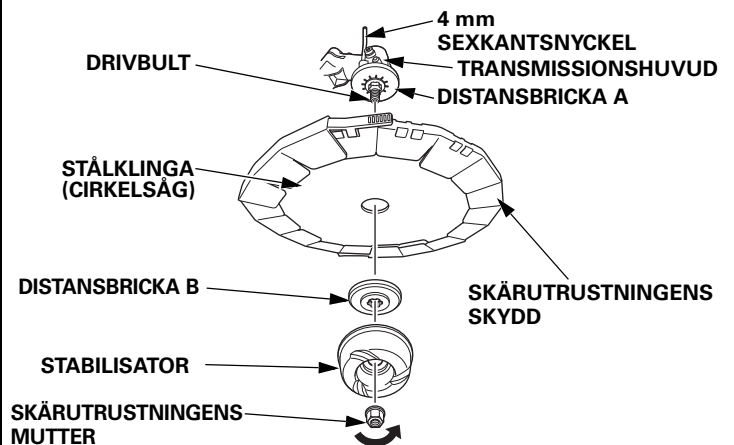
Stålklinga (3 tänder):



Stålklinga som tillval (4 tänder):



Stålklinga som tillval (cirkelsåg):



### ⚠ VARNING

- Använd bara stålklingor (cirkelsåg) med UEET- och XEET-typer. Använd dem aldrig med LEET-typen. LEET-typen är inte utformad för att användas med stålklingor (cirkelsåg). Om LEET-typen används med en stålklinga (cirkelsåg) kan en olycka inträffa.
  - Montera aldrig stålklingan (cirkelsågen) i motsatt riktning. När du monterar den ska du kontrollera pilmarkeringen på stålklingan (cirkelsågen) och montera den i rätt riktning.
  - Stålklingan (cirkelsågen) måste monteras tillsammans med skärutrustningsskyddet som finns som tillval (se sidan 11).
- När du har dragit åt skärutrustningens mutter ska du vrida stålklingan med handen och kontrollera att den är korrekt monterad i mitten. Kontrollera att stålklingan inte monterats excentriskt eller nuddar den närliggande delen.

## MONTERA SKÄRUTRUSTNINGENS SKYDD

### ▲ VARNING

- Montera skärutrustningens skydd i rätt läge för att skydda dig från skräp som kastas upp av den roterande skärutrustningen.
- Använd aldrig grästrimmern utan skärutrustningens skydd. Stenar eller andra främmande objekt som slungas ut från den roterande skärutrustningen eller kontakt med den roterande skärutrustningen kan skada personer eller egendom.

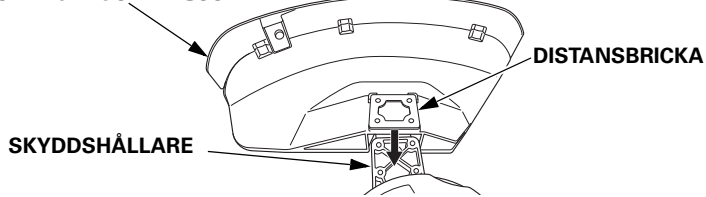
### OBSERVERA:

- Använd grova skyddshandskar när du underhåller runt skärutrustningen.

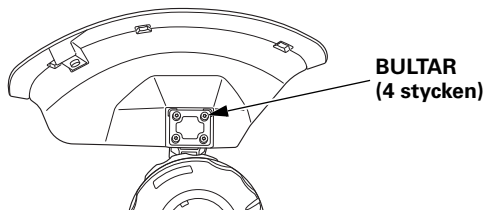
### Standardskydd för stålklinga (3 och 4 tänder) och flexibla skäranordningar:

1. Placera distansbrickan på skärutrustningens skydd. Fäst på skyddshållaren på transmissionshuvudet.

#### SKÄRUTRUSTNINGSSKYDD



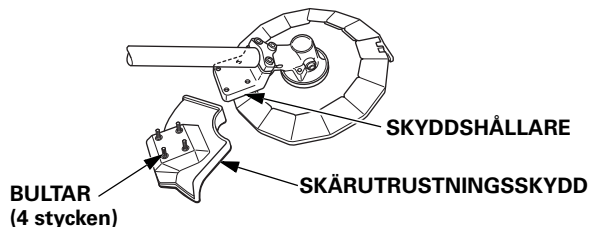
2. Montera fyra bultar. Dra åt dem ordentligt med Torx-sidan på 16 x 19 mm nyckeln. Åtdragningsmoment för bult: 5,5 N·m (0,6 kgf·m)



Den nedre delen på skärutrustningens skydd måste lossas när du arbetar med en stålklinga (3 eller 4 tänder). Se sidan 16 angående borttagning.

### Skydd för stålklinga som tillval (cirkelsåg):

Fäst skärutrustningens skydd på skyddshållaren på transmissionshuvudet. Montera distansbrickan och fyra bultar. Dra åt med Torx-sidan på 16 x 19 mm nyckeln. Åtdragningsmoment för bult: 5,5 N·m (0,6 kgf·m) Standarddistansbrickan och bultarna kan användas.



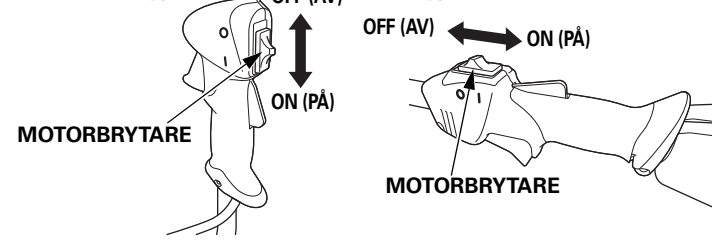
## REGLAGE OCH KOMPONENTER

### MOTORBRYTARE

Motorbrytaren aktiverar och inaktiverar tändningssystemet. Motorbrytaren måste vara i läget ON när motorn ska användas. Motorn stoppas när motorbrytaren vrids till läget OFF.

#### UEET-, XEET-typer

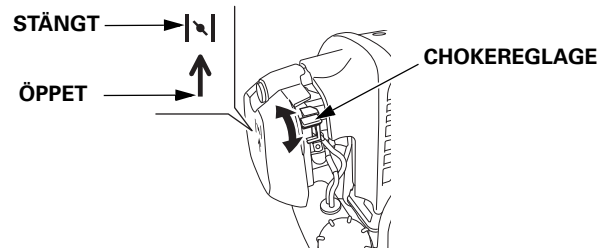
#### LEET-typ



### CHOKEREGGLAGE

Chokereglaget öppnar och stänger chokespjället i förgasaren. Det STÄNGDA läget berikar bränsleblandningen för att starta en kall motor.

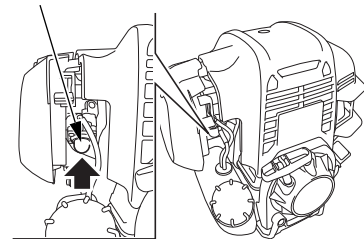
Det ÖPPNA läget ger rätt bränsleblandning för drift efter start och för att starta om en varm motor.



### PUMPBLÅSA

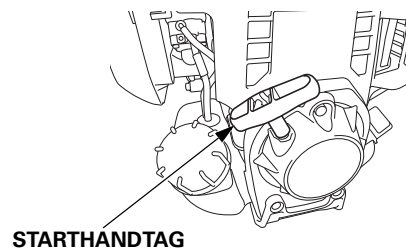
När du trycker på pumpblåsan matas bensin från bränsletanken till förgasaren. Proceduren krävs för att starta motorn.

#### PUMPBLÅSA



### STARHANDTAG

Dra i handtaget på startsnöret för att dra runt och starta motorn.



## GASREGLAGE

Gasreglaget styr motorns varvtal. Motorn går snabbare eller långsammare när du trycker in eller släpper gasreglaget så som visas nedan.

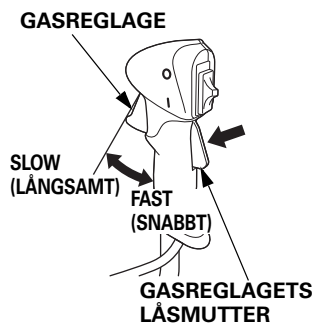
Gasreglagets spärr gör att gasreglaget kan användas. Det går bara att trycka in gasreglaget om gasreglagets spärr har tryckts in i förväg.

Motorvarvtalet ökar och skärutrustningen börjar rotera när gasreglaget trycks in gradvis.

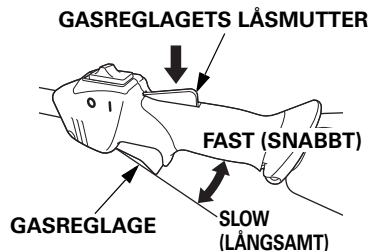
Tryck mer på gasreglaget för att öka motorvarvtalet och rotationshastigheten.

När du släpper gasreglaget minskar motorvarvtalet och skärutrustningen fortsätter att rotera en stund på grund av tröghetsmomentet för att sedan stanna.

### UEET-, XEET-typer



### LEET-typ



## FÄSTPUNKT OCH KROK FÖR SELE

Bär dubbelselen (se sidan 20) när du använder grästrimmern och fäst kroken i selens fästpunkt.

### ⚠ VARNING

- **Var noga med att bära dubbelselen när grästrimmern används. Annars kan skador uppstå på grund av instabilitet.**
- **För operatörens säkerhet och komfort är det viktigt att selens remmar justeras så att selen är bekväm att bära och maskinen har rätt balans i arbetsläget.**

### UEET-, LEET-typer:

Selens fästpunkt har ett hål för kroken.

Ta bort grästrimmern från kroken genom att trycka på spaken på kroken och lossa kroken från selens fästpunkt.

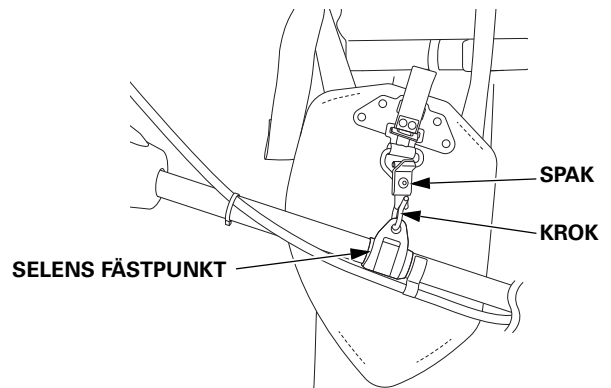
### XEET-typ:

Selens fästpunkt har nio hål för kroken. Du kan välja hål på selen så att du får rätt balans.

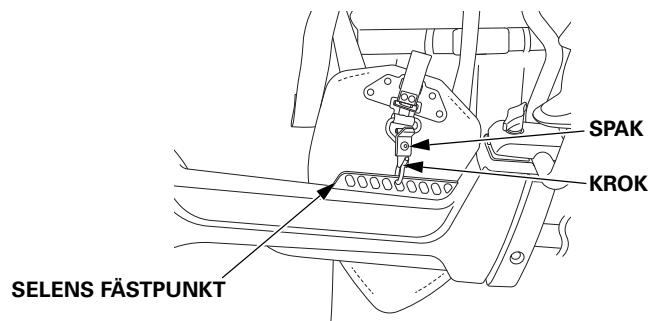
Ta bort grästrimmern från kroken genom att trycka på spaken på kroken och lossa kroken från selens fästpunkt.

Se sidan 19 för information om att balansera grästrimmern när den sitter på kroken.

### UEET-, LEET-typer



### XEET-typ



## SNABBFÄSTE

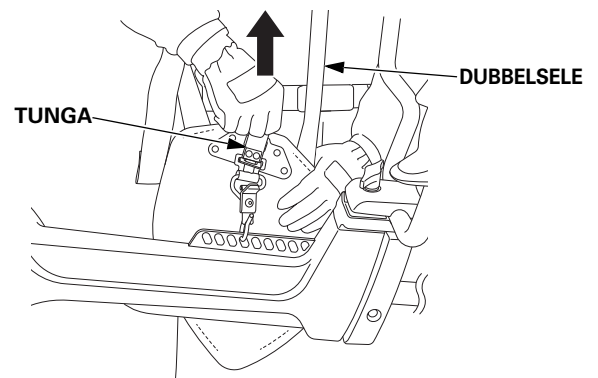
### ANMÄRKNING:

- Grästrimmern kan trilla när snabbfästet används för att lossa grästrimmern. När du kontrollerar funktionen för snabbfästet ska du inte fästa grästrimmern i kroken på midjeskyddet för att förhindra att grästrimmern faller ner och skadas.

Tungan på snabbfästet är avsedd för att lossa grästrimmern från kroppen i en nödsituation.

Dra upp tungan på snabbfästet och skjut bort grästrimmern för att lossa grästrimmern från dubbelselen.

När snabbfästet använts för att lossa grästrimmern kommer kroken att sitta kvar i fästpunkten. Fäst kroken i midjeskyddet när snabbfästet har använts.



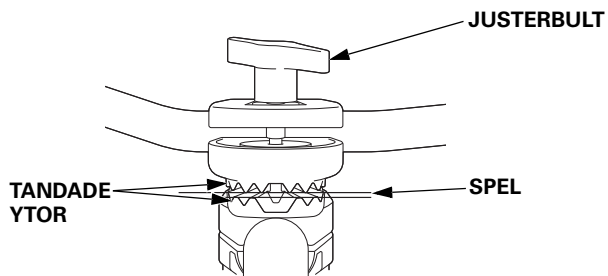


## FÄLLA NED STYRHANDTAGET (ENDAST UEET-, XEET-TYPER)

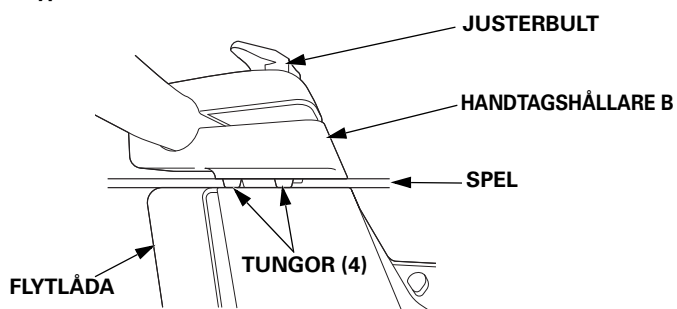
Styrhandtaget kan fällas ned för förvaring och transport.

1. Lossa justerbulten 6 till 7 varv.
2. (UEET-typ) Se till att det finns tillräckligt med spel mellan de tandade ytorna.  
(XEET-typ) Se till att tungorna på handtagshållaren B inte är i ingrepp med hålen i flytlådan.

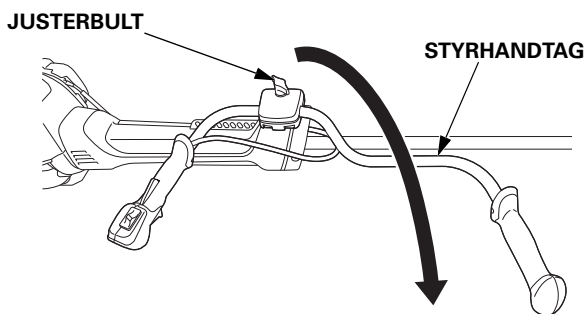
### UEET-typ



### XEET-typ



3. Vrid handtagshållaren 90 grader och vik styrhandtaget åt vänster eller höger. Var försiktig så att du inte viker styrhandtaget mer än 90 grader.

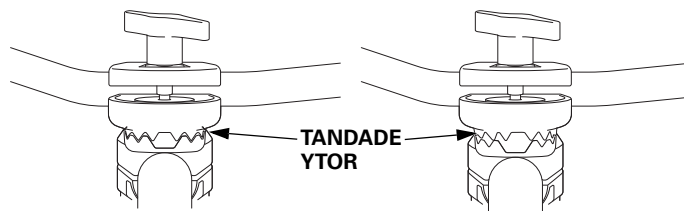


4. (UEET-typ) Passa in de tandade ytorna korrekt och dra åt justerbulten.  
(XEET-typ) Dra åt justerbulten. Observera att spelrummet mellan handtagshållaren B och flytlådan kommer att vara kvar även efter det att justerskruven har dragits åt.

### Endast UEET-typ:

RÄTT (de tandade ytorna passar korrekt)

FEL (de tandade ytorna passar inte)

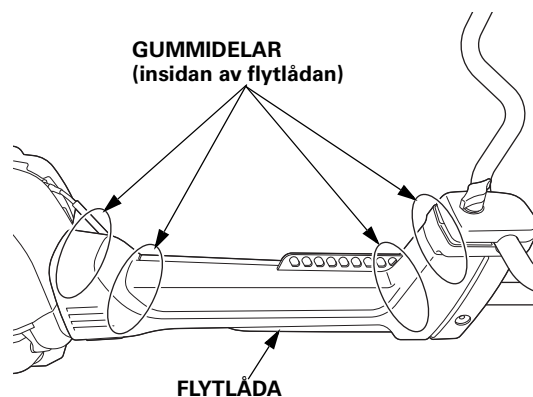


### ANMÄRKNING:

När du drar åt justerbulten ska du se till att de tandade ytorna sitter som de ska. Om justerbulten dras åt med de tandade ytorna i fel läge kan justerbulten skadas.

### ANTI-VIBRATIONSYSTEM (ENDAST XEET-TYP)

Anti-vibrationssystem reducerar handtagsvibrationer med en flytlådestruktur. Flytlådan stöds av gummidelar som är monterade vid handtagshållaren och kopplingshuset. Om du känner att handtagsvibrationerna är för stora bör du kontakta en serviceverkstad.



## KONTROLLER FÖRE ANVÄNDNING

För säker och effektiv trimning bör du alltid utföra kontrollerna före drift.

### ⚠ VARNING

- Maskinens alla delar är en potentiell risk om maskinen används under ovanliga förhållanden eller om underhåll inte har utförts korrekt.
- Utför kontrollerna före drift på en fast och plan yta med skärutrustningen stoppad och kontrollera att motorbrytaren är i OFF-läge.

Före varje användningstillfälle ska du titta under och omkring motorn efter tecken på olje- eller bensinläckor.

## RENGÖRA SKÄRUTRUSTNINGENS SKYDD

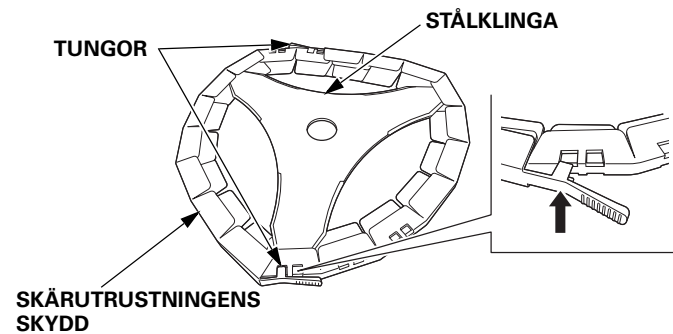
Avlägsna skräp, gräs och andra främmande föremål på skärutrustningens skydd före varje användning.

## MONTERA SKÄRUTRUSTNINGENS SKYDD

**Stålklinga (3 tänder) för UEET- och LEET-typer**

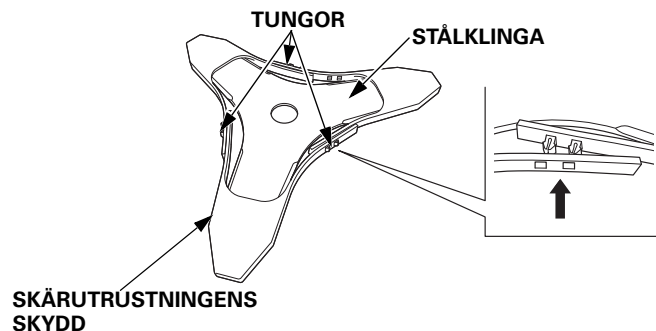
**Stålklinga (4 tänder och cirkelsåg) för UEET-, LEET- och XEET-typer**

Lossa tungan och linda skärutrustningens skydd på spetsarna på stålklingen så att de täcks helt av skyddet. Fäst tungorna ordentligt.



**Stålklinga (3 tänder) för XEET-typer**

Montera skärutrustningsskydden på spetsarna av stålklingen (3 tänder). Se till att spetsarna på stålklingen (3 tänder) täcks helt av skärutrustningsskydden. Fäst tungorna ordentligt.



## KONTROLLERA MOTOROLJAN

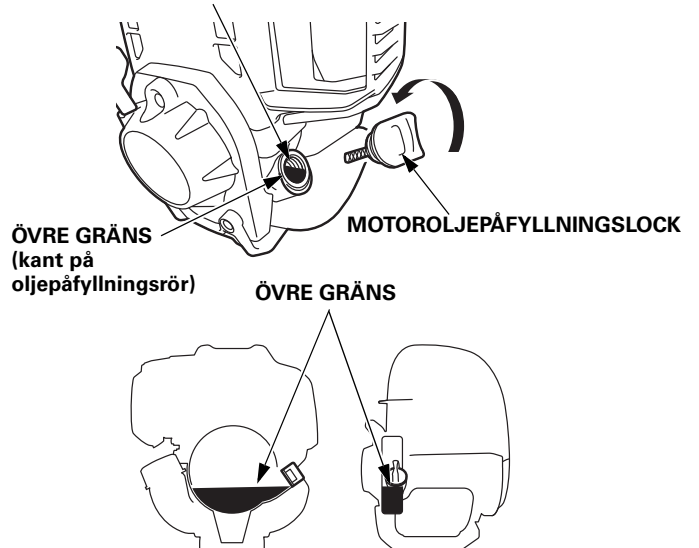
### ANMÄRKNING:

- Om motorn körs med för lite olja kan det leda till allvarliga motorskador.
- Olja utan renande egenskaper eller tvätaksolja kan förkorta motorns livslängd.

1. Placera grästrimmern på ett plant underlag och ta av oljepåfyllningslocket.
2. Kontrollera oljenivån: den ska nå kanten på oljepåfyllningsröret och kontrollera motoroljan för kontaminering och försämring.
3. Om oljenivån är låg ska du fylla på med rekommenderad olja (se sidan 31) till den övre gränsen (kanten på oljepåfyllningsröret). Byt oljan om den är förorenad eller har försämrats (se sidan 31).
4. Montera oljepåfyllningslocket.

Kontrollera motoroljenivån var 10:e timme och fyll på upp till toppen av oljepåfyllningsröret om motorn varit på oavbrutet i mer än 10 timmar.

### OLJEPÅFYLLNINGSRÖR



Tvätta händerna med tvål och vatten efter hantering av gammal olja.

## KONTROLLERA BRÄNSLENIVÅN

Använd blyfri bensin E10 med ett forskningsoktanttal på 91 eller högre (pumpoktanttal 86 eller högre).

Bränslespecifikation(er) som är nödvändiga för att upprätthålla kontrollsystemets utsläppskapacitet: E10-bränsle som avses i EU-förordningen.

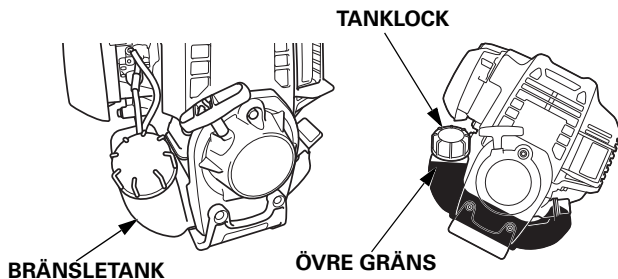
Använd aldrig bensin som är gammal, förorenad eller uppblandad med olja.

Se till att smuts och vatten inte kan komma in i bränsletanken.

### ▲ VARNING

- Bensin är extremt brandfarligt och explosivt under vissa förhållanden.
- Tank i ett väl ventilerat utrymme med motorn avstängd. Rök inte och se till att inga lågor eller gnistor finns i området där motorn tankas eller bensin lagras.
- Överfyll inte tanken (det får inte stå bränsle i påfyllningshalsen). Kontrollera efter tankning att tanklocket är ordentligt påsatt.
- Var försiktig så att du inte spiller bränsle vid tankning. Utspillt bränsle eller bränsleångor kan antändas. Om du spiller bränsle måste du se till att området är torrt innan du startar motorn.
- Undvik upprepad eller långvarig hudkontakt och inandning av ångor.
- FÖRVARAS UTOM RÄCKHÅLL FÖR BARN.

1. Håll bränslepåfyllningsröret upprätt och kontrollera bränslenivån visuellt från bränsletankens utsida.



2. Om bränslenivån är låg, fyll på bränsletanken upp till den nivå som anges. Lossa tanklocket gradvis för att avlasta trycket i bränsletanken. Bränsle i bränsletanken kan spruta ut om tanklocket avlägsnas snabbt. Placera motorn på en plan yta vid tankning. Använd en tratt och slang när du tankar. Torka av smuts på tanklocket för att undvika att smuts kommer in i bränsletanken.

Bränsletankens volym: 630 cm<sup>3</sup> (0,63 L)

3. Efter tankning ska locket på bränsletanken skruvas åt ordentligt.

### ANMÄRKNING:

Bensin förstörs mycket snabbt beroende på till exempel ljusexponering, temperatur och tid.

I värsta fall kan bensinen förorenas på en månad.

Om förorenad bensin används kan motorn skadas allvarligt (genom att förgasaren sätts igen eller att ventilerna kärvar). Skador på grund av dåligt bränsle täcks inte av garantin.

För att undvika detta ska du följa dessa rekommendationer:

- Använd bara specificerad bensin.
- Använd färsk och ren bensin.
- För att bromsa bränslets nedbrytningsprocess ska bensin förvaras i en godkänd bränslebehållare.
- Inför långvarig förvaring (mer än 30 dagar) ska bränsletanken och förgasaren tömmas (se sidan 33).

Vi rekommenderar inte att bensinersättningar används, de kan vara skadliga för bränslesystemets komponenter.

## Bensin som innehåller alkohol

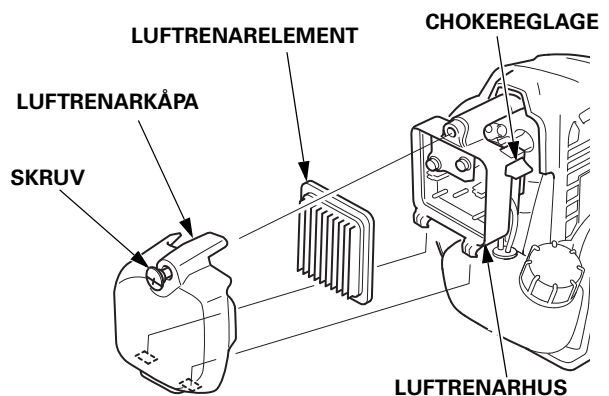
Om du väljer bensin som innehåller alkohol (gasohol) måste dess oktantal vara minst lika högt som Hondas rekommendationer. Det finns två typer av "gasohol": en som innehåller etanol och en som innehåller metanol. Använd inte bensin som innehåller mer än 10% etanol (E10). Använd inte bensin som innehåller metanol (metyl eller träsprit) som inte också innehåller hjälplosningsmedel och korrosionsskyddsmedel för metanol.

### ANMÄRKNING:

- Skador på bränslesystemet eller problem med motorns prestanda som orsakats av användning av bensin som innehåller mer alkohol än vad som rekommenderas täcks inte av garantin.
- Innan du köper bensin från en okänd leverantör ska du först avgöra om bensinen innehåller alkohol. Om den gör det ska du ta reda på vilken typ och procentandel alkohol som används. Om icke önskvärda symptom uppträder då en speciell sorts bensin används ska du byta till en bensinsort som du vet innehåller mindre än den rekommenderade mängden alkohol.

## KONTROLLERA LUFTRENAREN

1. Flytta chokereglaget till AVSTÄNGT läge (uppåt).
2. Lossa skruven och ta bort luftrenarkåpan från luftrenarhuset.
3. Kontrollera om luftrenarelementet är smutsigt eller igensatt. Rengör luftrenarens element om det är smutsigt (se sidan 31). Byt ut luftrenarelementet om det är mycket smutsigt.
4. Sätt tillbaka luftrenarelementet.
5. Sätt tillbaka luftrenarkåpan och dra åt skruven ordentligt.



### ANMÄRKNING:

Kör aldrig motorn utan luftrenaren eftersom det sliter motorn snabbare.

## KONTROLLERA GASREGLAGETS FUNKTION

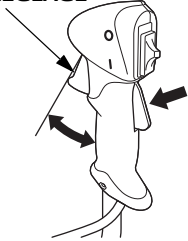
Kontrollera att gasreglaget aktiveras obehindrat och alltid fjädrar tillbaka till viloläge.

Om det inte fungerar obehindrat ska du kontrollera och justera gasvajerens spel. Kontakta en serviceverkstad för service. Om det inte fjädrar tillbaka till viloläget ska du inte använda grässtrimmern. Kontakta serviceverkstaden.

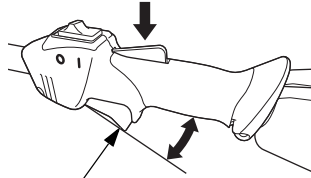
UEET-, XEET-typer

LEET-typ

GASREGLAGE



GASREGLAGE



## KONTROLLERA SKÄRTRUSTNINGENS SKYDD/TA BORT OCH MONTERA DEN NEDRE DELEN PÅ SKÄRTRUSTNINGENS SKYDD

### ⚠ VARNING

- Använd aldrig grässtrimmern utan skärutrustningens skydd. Stenar eller andra främmande objekt som slungas ut från den roterande skärutrustningen eller kontakt med den roterande skärutrustningen kan skada personer eller egendom.

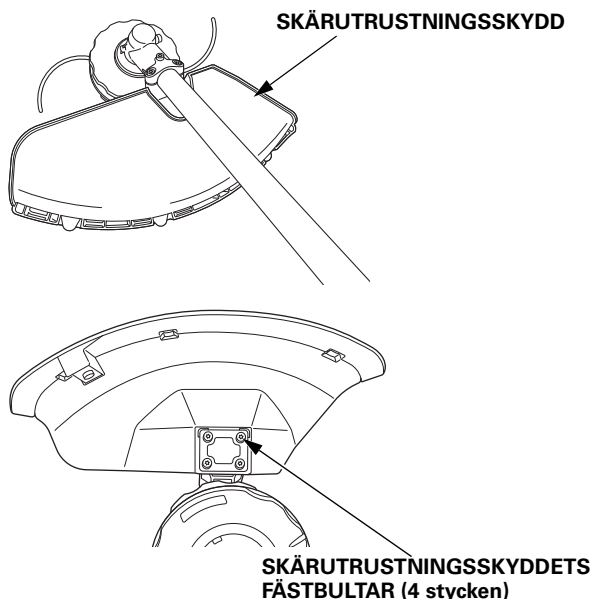
### OBSERVERA:

- Använd grova skyddshandskar när du underhåller runt skärutrustningen.
- För att undvika personskador ska du montera skyddet på stålklungan innan du underhåller runt stålklungan.

Se sidan 14 när du ska montera skärutrustningens skydd.

### Kontrollera skärutrustningens skydd

1. Stäng av motorn med motorbrytaren i läge OFF.
2. Kontrollera att skärutrustningens skydd är korrekt monterade och oskadade. Om skärutrustningens skydd är skadat ska du byta ut det innan du använder grässtrimmern.
3. Kontrollera att bultarna på skärutrustningens skydd är åtdragna. Dra åt bultarna ordentligt om det behövs.
4. Håll skärutrustningens skydd i det läge och den riktning som visas nedan.

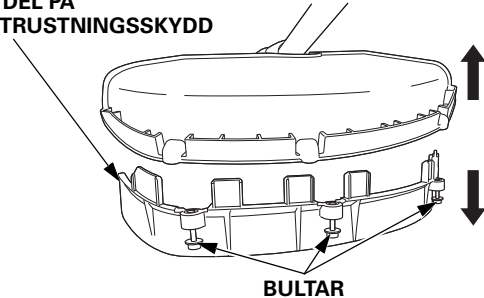


## Ta bort och montera den nedre delen på skärutrustningens skydd

När du använder grässtrimmern med stålklungan (3 eller 4 tänder) ska du ta bort den nedre delen av skärutrustningsskyddet. Den nedre delen av skärutrustningsskyddet ska vara monterat när den flexibla skäranordningen används.

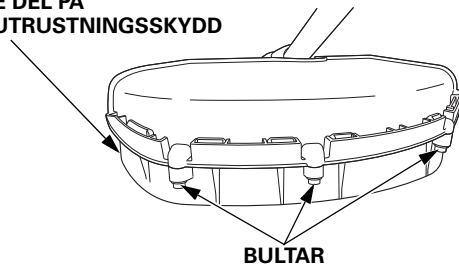
Ta bort (för användning med stålklunga (3 eller 4 tänder)): Ta bort tre bultar och lossa sedan den nedre delen av skärutrustningsskyddet.

NEDRE DEL PÅ SKÄRTRUSTNINGSSKYDD



Montering (för användning med flexibel skäranordning): Montera de två delarna på skärutrustningsskyddet och fäst dem. Montera tre bultar och dra åt dem ordentligt.

NEDRE DEL PÅ SKÄRTRUSTNINGSSKYDD



## KONTROLLERA TRANSMISSIONSHUVUDET

### ⚠ VARNING

- För att undvika allvarliga personskador ska du se till att motorbrytaren är i läget OFF så att motorn inte startar av misstag.
- För säkerhetens skull ska du kontrollera transmissionshuvudet för slitage och skador innan du startar motorn.

### OBSERVERA:

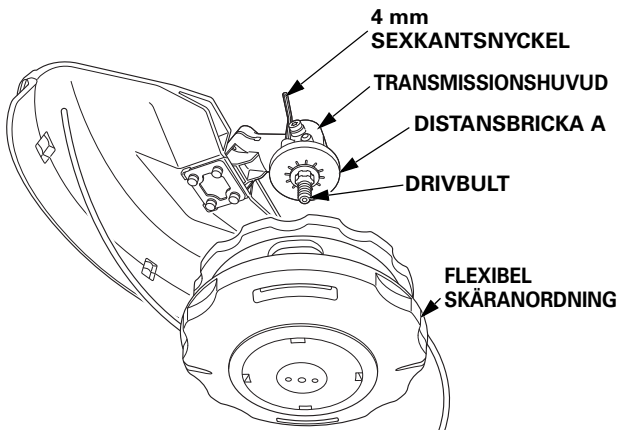
- Använd grova skyddshandskar när du underhåller runt skärutrustningen.
- För att undvika personskador ska du montera skyddet på stålklungan innan du underhåller runt stålklungan.

Se sidan 14 när du ska montera skärutrustningens skydd.

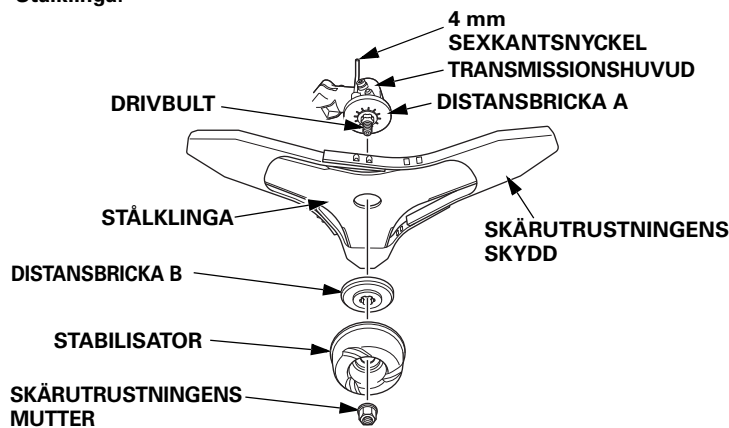
### Inspektera transmissionshuvudet

1. Stäng av motorn med motorbrytaren i läge OFF.
2. Kontrollera om det finns gräs eller trådar intrasslade mellan distansbrickan A och skärutrustningen. Avlägsna dem om så är fallet.
3. När du har tagit bort gräs eller trådar ska du kontrollera om det finns förorenat material som lera eller smuts mellan transmissionshuvudet och distansbrickan A. Om det finns, ska du ta bort skärutrustningen (se sidan 28) och rengöra transmissionshuvudet. Utför stegen i "Inspektera drivbulten" samtidigt som du gör rent.

### Flexibel skäranordning:



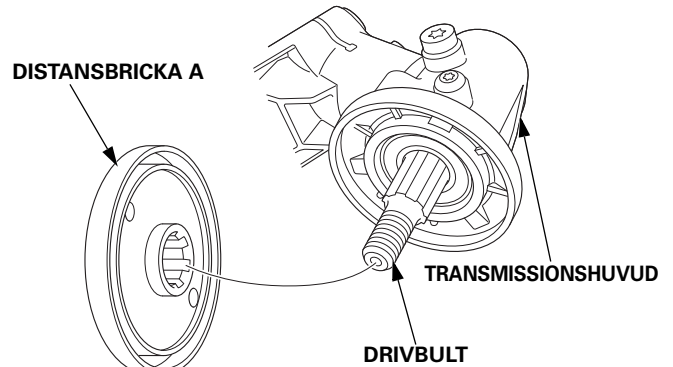
### Stålklunga:



## Rengöra transmissionshuvudet

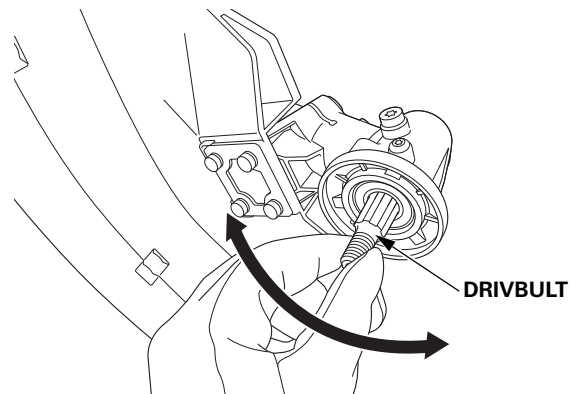
Om det finns förorenat material som gräs, tråd, lera eller smuts mellan transmissionshuvudet och distansbrickan A ska du rengöra dem med följande procedur.

1. Stäng av motorn med motorbrytaren i läge OFF.
2. Ta bort skärutrustningen. (se sidan 28)
3. Ta bort distansbrickan A.
4. Ta bort gräs, tråd, lera eller smuts runt distansbrickan A och drivbulten.



### Inspektera drivbulten

Håll i drivbulten, flytta den åt vänster och höger och kontrollera om den sitter lös. Om den sitter lös måste transmissionshuvudet bytas ut. Kontakta en serviceverkstad för byte.



När du har utfört stegen i "Rengöra transmissionshuvudet" och "Inspektera drivbulten" ska du montera distansbrickan A på transmissionshuvudet innan du monterar skärutrustningen. Se sidan 28 när du ska montera skärutrustningen.

## KONTROLLERA SKÄRUTRUSTNINGEN

### ⚠ VARNING

- För att undvika allvarliga personskador ska du se till att motorbrytaren är i läget OFF så att motorn inte startar av misstag.
- För säkerhetens skull ska du kontrollera skärutrustningen för slitage och skador samt skärutrustningens åtdragning innan du startar motorn. Användning av grässtrimmern med sliten, sprucken eller skadad skärutrustning kan orsaka personskador eller skada på grässtrimmern. En sliten, sprucken eller skadad utrustning kan gå sönder och delar av den skadade utrustningen kan träffa operatören eller kringstående vilket kan orsaka dödsfall eller allvarlig personskada.

### OBSERVERA:

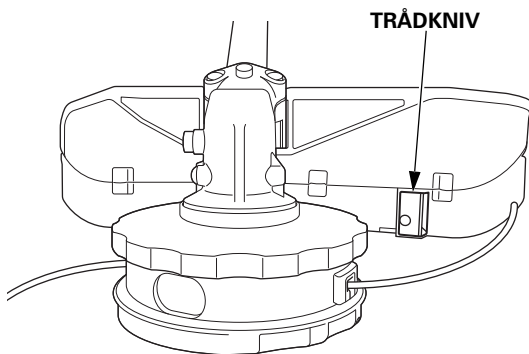
- Använd grova skyddshandskar när du underhåller runt skärutrustningen.
- För att undvika personskador ska du montera skyddet på stålklingan innan du underhåller runt stålklingan.

Se sidan 14 när du ska montera skärutrustningens skydd.

Se "Användningsområden för skärutrustningar" på sidan 24.

### Flexibel skäranordning

1. Stäng av motorn med motorbrytaren i läge OFF.
2. Kontrollera om den flexibla skäranordningen sitter löst. Dra åt den flexibla skäranordningen ordentligt om den sitter löst (se sidan 28).
3. Kontrollera att nylontråden är oskadad. Om nylontråden är skadad ska den matas fram genom att följa procedurerna nedan. Se sidan 25 när nylontråden ska matas fram. Innan du matar fram nylontråden ska du kontrollera att trådkniven är fri från damm, smuts och andra främmande material. Gör ren trådkniven vid behov.

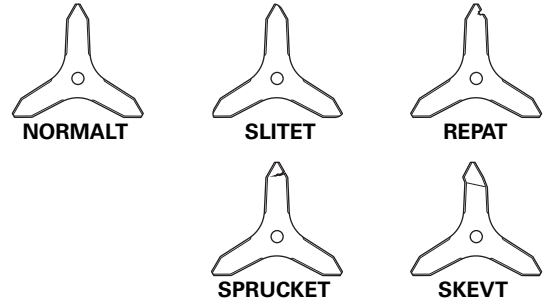


## Stålklinga

1. Stäng av motorn med motorbrytaren i läge OFF.
2. Kontrollera åtdragningen på skärutrustningens mutter. Dra åt muttern om den sitter lös (se sidan 10).
3. Kontrollera stålklingan för slitage, skevning, sprickor och andra skador. Om stålklingan är sliten, sprucken, repad eller skadad på annat sätt ska du byta ut den skadade stålklingan mot en ny Honda-originklinga eller motsvarande.

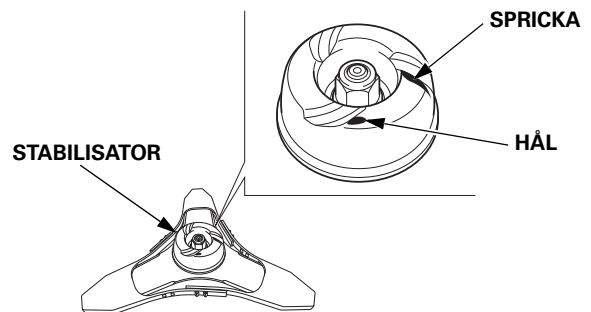
En slö stålklinga kan slipas.

Kontakta en serviceverkstad om du tycker det är svårt att göra det själv.



### INSPEKTERA STABILISATORN (FÖR STÅLKLINGAN)

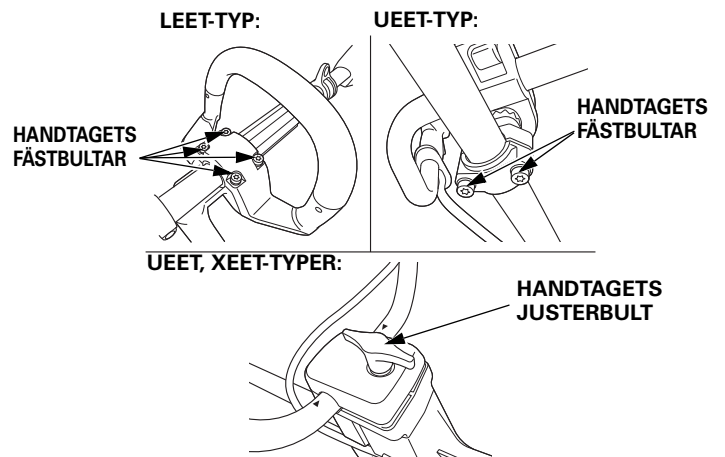
Kontrollera stabilisatorns slitage. Om det finns sprickor eller hål i stabilisatorn ska den bytas ut. Kontakta en serviceverkstad för byte.



### KONTROLLERA ALLA BULTAR OCH MUTTRAR

Kontrollera att bulten och muttern sitter ordentligt innan du börjar arbeta. Om bultarna eller muttrarna lossnar ska de dras åt.

1. Kontrollera åtdragningen på varje bult och mutter på motorn och ramen. Dra åt dem ordentligt om det behövs.
2. Kontrollera efter lösa fästbultar och skruvar på handtaget och dra åt dem ordentligt om det behövs.





## BALANSERA GRÄSTRIMMERN

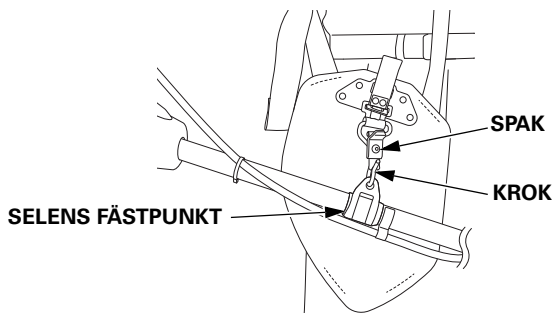
### ⚠ VARNING

- Var noga med att bära dubbelselen när grästrimmern används.  
Annars kan skador uppstå på grund av instabilitet.
- För operatörens säkerhet och komfort är det viktigt att selens remmar justeras så att selen är bekväm att bära och maskinen har rätt balans i arbetsläget.

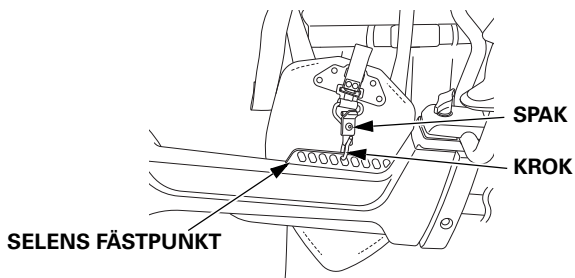
### Kontrollera dubbelselen

1. Sätt på dig dubbelselen. (se sidan 20)
2. Fäst kroken i selens fästpunkt. (se sidan 12)
3. Kontrollera att kroken sitter ordentligt i fästpunkten.
4. Kontrollera att grästrimmerns balans och läge är som följer.

### UEET-, LEET-typer

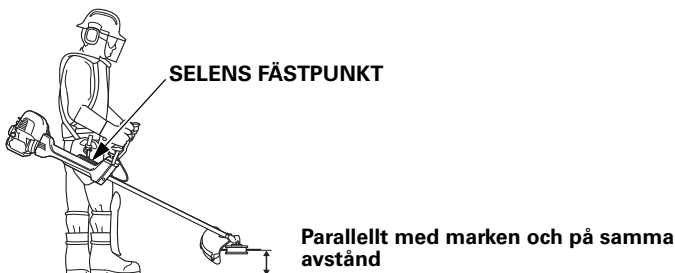


### XEET-typ



### Lämplig balans

1. Justera dubbelselen så att selens fästpunkt placeras vid höger höft (se sidan 20).
2. Håll grästrimmern så att skärutrustningen är parallell med marken genom att hålla i handtaget med båda händerna.
3. Justera dubbelselens längd (sidan 20), handtagets läge eller styrhandtagets vinkel (sidan 19) så att skärutrustningen är parallell med marken och förblir ovanför marken på rätt avstånd.



### ⚠ VARNING

Använd inte grästrimmern om den roterande skärutrustningen kan nå dina fötter. Dina fötter kan skadas om den roterande skärutrustningen kommer i kontakt med fötterna.

## JUSTERA HANDTAGET

### Justera handtagshållarens position (endast UEET, LEET-typer)

#### UEET-typ

Du kan flytta handtagshållaren framåt eller bakåt. Se sidan 8 när du vill justera handtagshållarens position.

För säkerhetens skull får styrhandtaget och handtagshållaren inte monteras utöver skyddskragen.

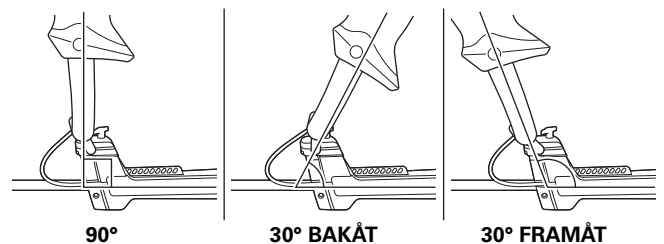
#### LEET-typ

Bygelhandtagets läge kan flyttas framåt och bakåt. Se sidan 8. För säkerhetens skull får bygelhandtaget inte monteras utöver skyddskragen.

### Justera styrhandtagets vinkel (endast UEET, XEET-typer)

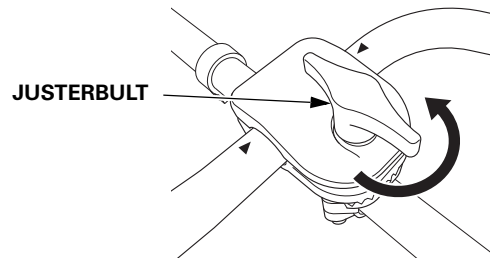
Standardvinkeln är 90 grader.

Du kan luta styrhandtaget framåt eller bakåt inom 30 grader från standardvinkeln.



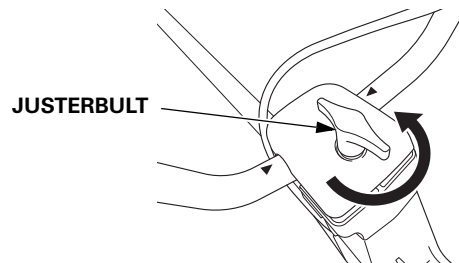
#### UEET-typ

Lossa justerbulten en aning och luta styrhandtaget när du vill justera styrhandtagets vinkel. Dra åt justerbulten ordentligt.



#### XEET-typ

Lossa justerbulten en aning och luta styrhandtaget när du vill justera styrhandtagets vinkel. Tryck lätt på handtagshållaren A och dra åt justerbulten ordentligt.



När du har justerat handtagets läge eller styrhandtagets vinkel ska du se till att gasvajern inte spänns för hårt. Kontrollera även att gasreglaget rör sig mjukt.

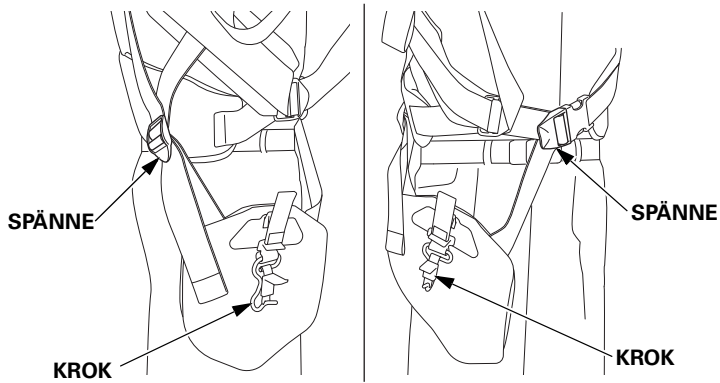
## JUSTERA DUBBELSELEN

Alla justeringar kan göras genom att förlänga eller förkorta justerremmen med spännet.

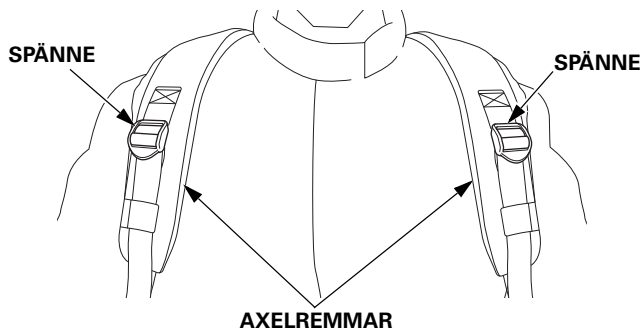
### Justerpunkter

- Krokens läge kan justeras med spännena på remmarna som hänger från midjeskyddet.
- Längden på axelremmen och midjeskyddets läge kan justeras med spännena på axelremmarna.
- Midjeskyddets passning kan justeras med spännet på höger sida.

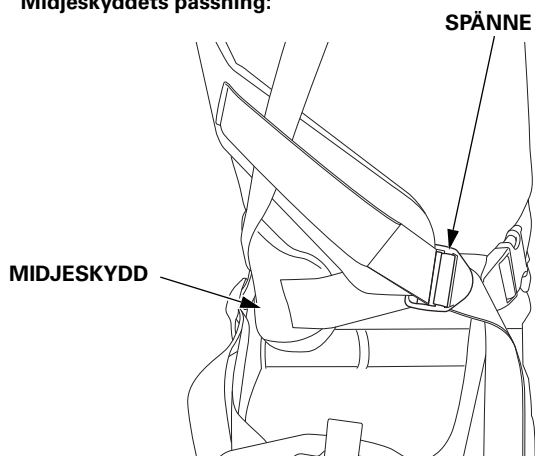
#### Krokens läge:



#### Längd på axelremmar:

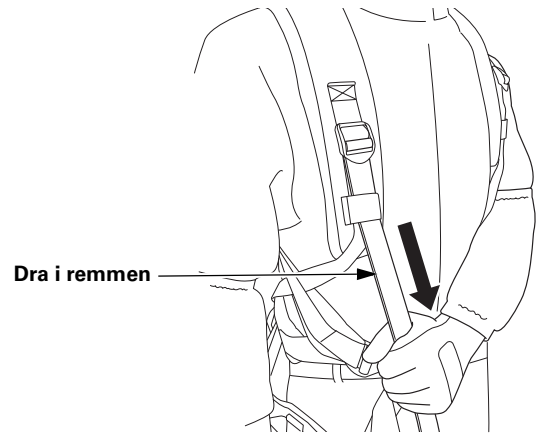


#### Midjeskyddets passning:

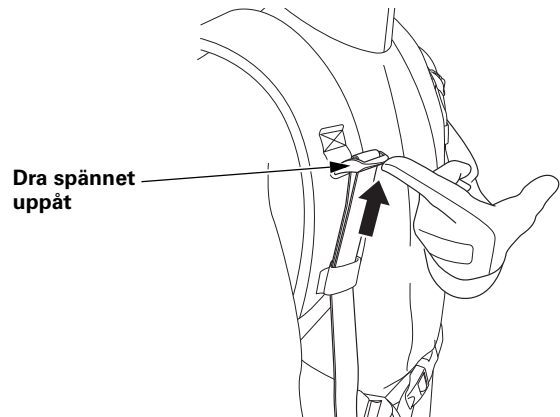


## Spänne

### Göra justerremmen kortare



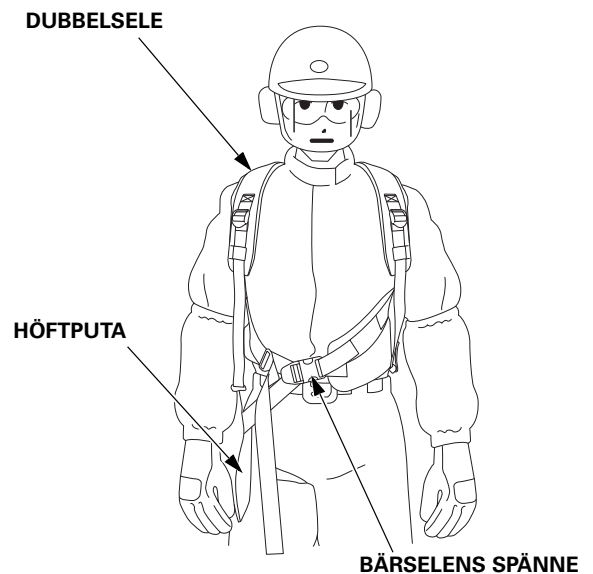
### Göra justerremmen längre



Alla spännen används på samma sätt.

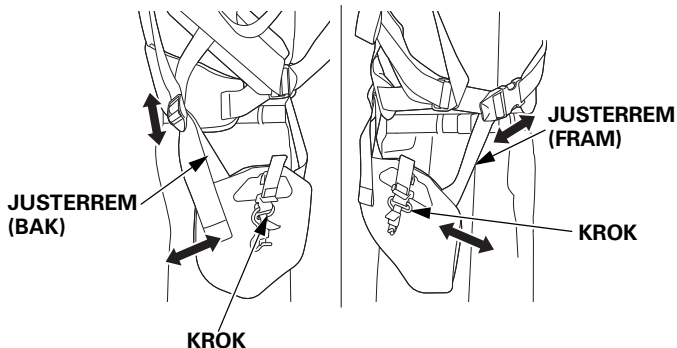
### Bära dubbelsen

Bär dubbelsen så att höftputan är på höger sida av kroppen. Kontrollera att selen inte har snott sig. Fäst dubbelselens spänne ordentligt på framsidan av kroppen tills det snäpps fast. Öppna dubbelselens spänne genom att dra selen åt höger och vänster medan du trycker på spännet.



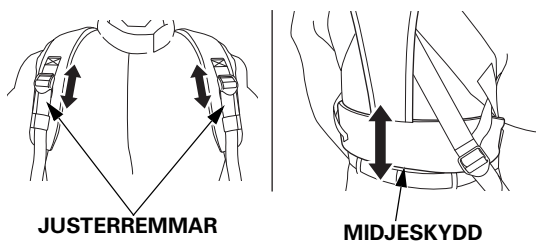
### Justera krokens läge

- Kroken lyfts upp när justerremmarna förkortas både fram och bak.
- Kroken sänks när justerremmarna förlängs både fram och bak.
- Om du justerar ena sidan av justerremmen eller båda sidorna åt motsatt håll flyttas krokens läge i den riktning du drar. (Om t.ex. justerremmen fram förkortas och den bakre delen förlängs kommer kroken att röra sig framåt)



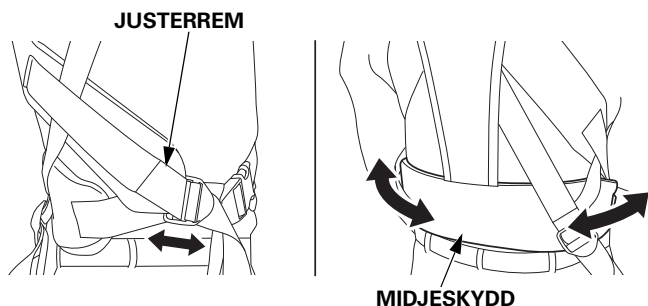
### Justera axelremmarnas och midjeskyddets lägen

- Förkorta eller förläng justerremmarna så att midjeskyddet passar runt midjan.
- Midjeskyddet lyfts upp när du förkortar justerremmarna.
- Midjeskyddet sänks när du förlänger justerremmarna.
- Justera justerremmarna åt vänster eller höger när du vill justera viktförhållandet mellan axeln och ryggen.
- Mer vikt hamnar på axeln och ryggen om du förkortar båda justerremmarna.
- Mer vikt hamnar på midjan om du förlänger dem.



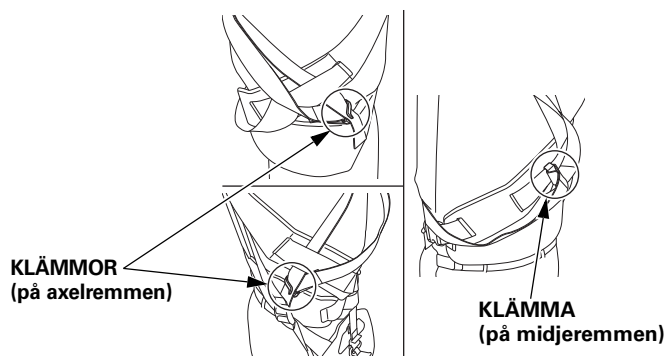
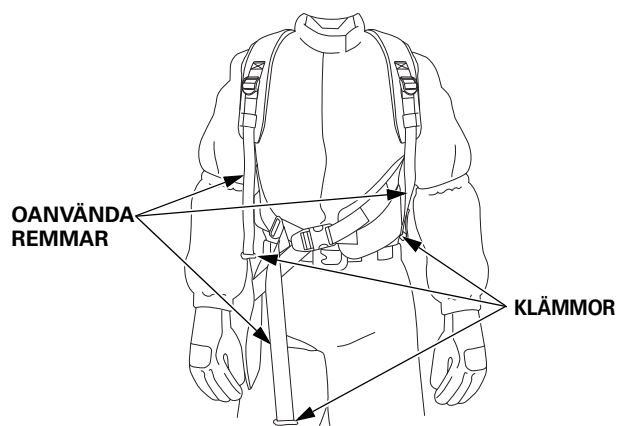
### Justera midjeskyddets passning

- Midjeskyddet spänns åt om justerremmen förkortas. Det är lämpligt för arbeten med tung belastning eftersom grästrimmerns vikt och den reaktiva kraften kommer att spridas.
- Grästrimmerns rörelseräckvidd ökar om justerremmen förlängs. Det är lämpligt för arbeten med lätt reaktiv kraft och lätt belastning, till exempel på plan mark, och då större rörelsefrihet krävs för arbetet.



### Fästa remmarna

När du har justerat selen fäster du remmarna i bältet med fästklämmorna.



Fäst inte klämmorna på följande sätt.

- Vänster klämma på höger rem och vice versa.
- På något annat ställe än dubbelselen.

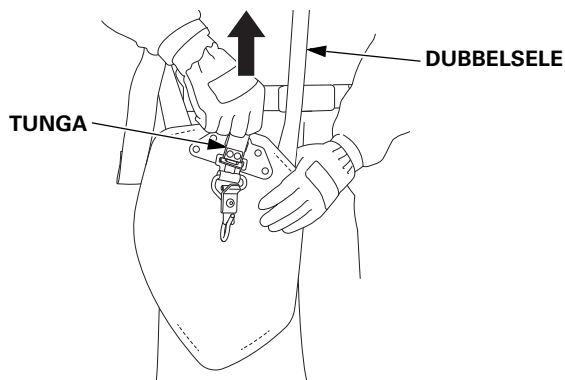
Om du fäster klämmorna på sättet ovan kanske du inte kan ta av dig dubbelselen även om dubbelselens spänne lossnar.

## KONTROLLERA SNABBFÄSTET

### ANMÄRKNING:

- Grästrimmern kan trilla när snabbfästet används för att lossa grästrimmern. När du kontrollerar funktionen för snabbfästet ska du inte fästa grästrimmern i kroken på midjeskyddet för att förhindra att grästrimmern faller ner och skadas.

- Sätt på dig dubbelselen.
- Kontrollera att spärren frigörs så fort tungan på snabbfästet dras uppåt medan du håller höftputan med vänster hand.
- Sätt in låstungan i skåran på snabbfästet.



Låt en serviceverkstad kontrollera och reparera enheten om spärren inte frigörs.

## KONTROLLERA MOTORNIS TOMGÅNGSVARV OCH KOPPLINGENS FUNKTION

Den här inspektionen ska utföras när motorn startas. Se sidan 23 angående start av motorn.

### ⚠ VARNING

- Avgaser innehåller giftig koloxid. Kör aldrig motorn i ett slutet utrymme. Se till att det finns tillräcklig ventilation.
- Starta motorn på en plats på minst 15 meters avstånd från människor, husdjur och omgivande byggnader. Kontrollera att det inte finns några hinder i arbetsområdet.

### OBSERVERA:

Starta inte motorn om skärutrustningen nuddar marken eller ett hinder. Grästrimmern kan röra sig plötsligt och orsaka skador på benen osv.

### Kontrollera motorns tomgångsvarv

Starta motorn (se sidan 23) och kontrollera att tomgångsvarvtalet är normalt.

Om tomgångsvarvtalet är onormalt högt eller lågt ska du inte använda grästrimmern. Låt en serviceverkstad kontrollera den i stället.

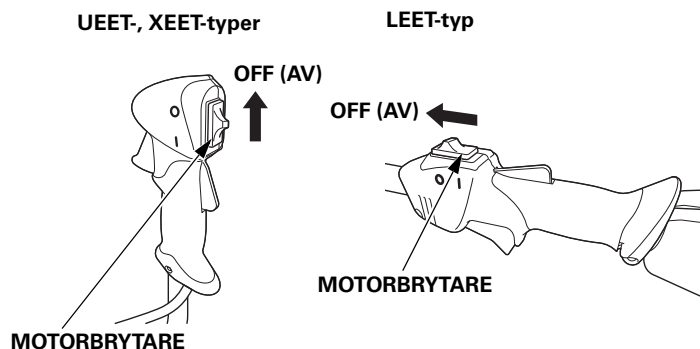
### Kontrollera kopplingens funktion

Kontrollera att skärutrustningen slutar rotera när gasreglaget släpps.

Skärutrustningen får inte rotera när motorn går på tomgång. Justera tomgångsvarvtalet innan du använder grästrimmern om den roterar på tomgångsvarv. Låt en serviceverkstad kontrollera grästrimmern.

## KONTROLLERA MOTORBRYTARENS FUNKTION

Kontrollera att motorn stoppas genom att flytta motorbrytaren till läget OFF.



### OBSERVERA:

- Observera att skärutrustningen fortsätter rotera av egen kraft en stund efter det att motorn har stängts av.
- Kontrollera att motorn och skärutrustningen inte roterar innan du lägger grästrimmern på marken.

## START AV MOTORN

### ⚠ VARNING

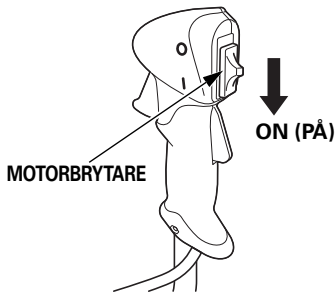
- Avgaser innehåller giftig koloxid. Kör aldrig motorn i ett slutet utrymme. Se till att det finns tillräcklig ventilation.
- Starta motorn på en plats på minst 15 meters avstånd från människor, husdjur och omgivande byggnader. Kontrollera att det inte finns några hinder i arbetsområdet.

### OBSERVERA:

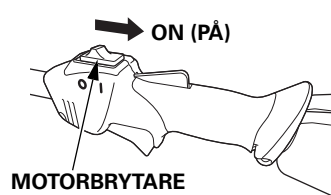
- Starta inte motorn om skärutrustningen nuddar marken eller ett hinder. Grässtrimmern kan röra sig plötsligt och orsaka skador på benen osv.
- Använd skyddskläder och skyddsanordningar (se sidan 2).

1. Vrid om motorbrytaren till läge ON.

UEET, XEET-typer

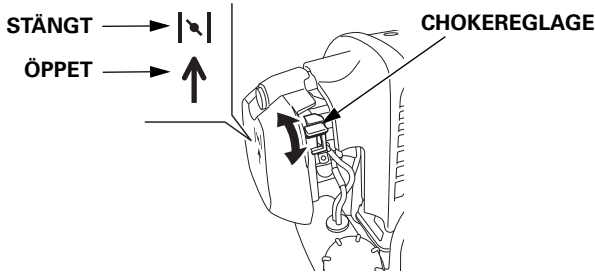


LEET-typ



2. Vid start av en kall motor ska chokereglaget flyttas till STÄNGT läge.

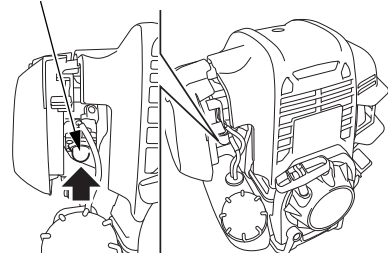
När man ska starta om en varm motor ska chokereglaget stå i läget OPEN/ÖPPEN.



3. Tryck ner evakueringspumpen flera gånger tills den fyllts med bränsle.

Om evakueringspumpen trycks ned för många gånger kommer det överflödiga bränslet att återgå till bränsletanken. Det kan hända att motorn inte startar om evakueringspumpen inte trycks ner tillräckligt.

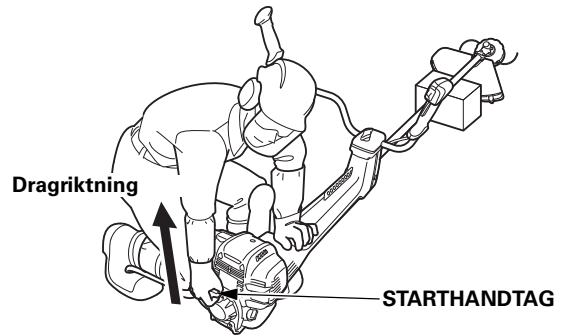
PUMPBLÅSA



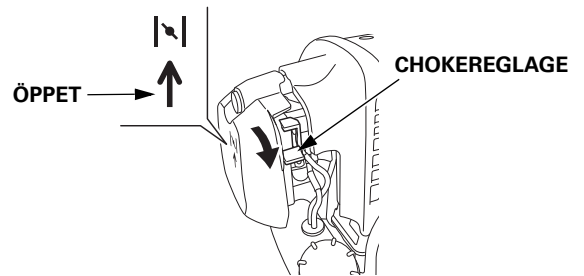
4. Dra lätt i starthandtaget tills du känner motstånd medan du stöttar transmissionsaxeln med foten och håller i transmissionsaxeln med handen, dra sedan snabbt i pilens riktning som visas nedan. Släpp försiktigt tillbaka starthandtaget.

### ANMÄRKNING:

- Låt inte starthandtaget snärta tillbaka mot motorn. Låt det gå tillbaka lugnt för att undvika skador på startmotorn.
- Det finns risk för skador om du drar i starthandtaget medan motorn går.



5. Om chokereglaget flyttats till stängt läge (CLOSED) vid motorstart – flytta det gradvis mot öppet läge (OPEN) när motorn värms upp.



## TRIMNING

Läs och förstå säkerhetsinstruktionerna på sidorna 2 till 4 innan du använder grästrimmern.

Om du märker onormala ljud, lukter, vibrationer eller andra ovanliga tecken ska du stoppa motorn omedelbart och kontakta en serviceverkstad.

Stoppa motorn när du justerar längden på dubbelselen.

### ▲ VARNING

- Använd inte grästrimmern om den roterande skärutrustningen kan nå dina fötter. Dina fötter kan skadas om den roterande skärutrustningen kommer i kontakt med fötterna.
- Var noga med att bära dubbelselen när grästrimmern används. Annars kan skador uppstå på grund av instabilitet.
- För säkerhetens skull ska du kontrollera skärutrustningen för slitage och skador samt skärutrustningens åtdragning innan du startar motorn. Om du använder grästrimmern med en sliten, sprucken eller skadad skärutrustning kan det orsaka personskador eller skador på utrustningen. En sliten, sprucken eller skadad skärutrustning kan gå sönder och delar av den skadade utrustningen kan träffa operatören eller kringstående och orsaka dödsfall eller allvarliga skador.
- Var noga med att bära dubbelselen när grästrimmern används. Annars kan skador uppstå på grund av instabilitet.
- För operatörens säkerhet och komfort är det viktigt att selens remmar justeras så att selen är bekväm att bära och maskinen har rätt balans i arbetsläget.

## ANVÄNDINGSOMRÅDEN FÖR SKÄRUTRUSTNINGAR

För effektivare användning bör du välja en lämplig skärutrustning som passar gräslängden och andra markförhållanden.

Typ av skärutrustning	Lämpliga förhållanden
 Flexibel skärutrustning	Klippning av lågt gräs och röjning
 Stålklinga (3 tänder)	Röjning av täta och trassliga ogräs, buskar som hallon eller vilda buskar vars stammar är mindre än 20 mm i diameter
 Stålklinga (4 tänder) (tillval)	
 Stålklinga (cirkelsåg) (tillval)	Kapning av små buskar, buskar och små träd vars stammar är mindre än 60 mm i diameter

## BÄRA DUBBELSELEN OCH PLACERA GRÄSTRIMMERN PÅ KROKEN

### ANMÄRKNING:

När du använder grästrimmern ska du alltid återgå till tomgång mellan arbetsåtgärderna. Om motorn får gå på maxvarv utan belastning (inget motstånd för skärutrustningen) under längre perioder kan motorn skadas allvarligt.

1. Bär dubbelselen och justera dess passning (se sidan 20).
2. Starta motorn (se sidan 23) och häng grästrimmern på kroken på dubbelselen (se sidan 12).
3. Se till att grästrimmern har bra balans (se sidan 19).

## GRUNDLÄGGANDE ANVÄNDNING

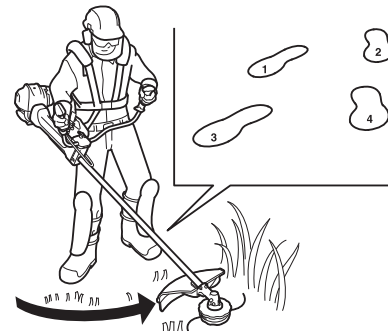
### Rätt arbetsställning för trimning

- Håll grästrimmern i rätt läge (se sidan 19).
- Lätta greppet om handtaget gradvis. Släpp inte utan lägg båda händerna lätt på handtaget och se till att skärutrustningens höjd från marken inte förändras avsevärt.
- Håll grästrimmern ordentligt med båda händerna och med fingrarna och tummarna runt handtagen. Det hjälper dig att hålla grästrimmern under kontroll.
- Se till att du står stadigt på fötterna och att du håller balansen.
- Försök inte att nå för långt.
- Håll skärutrustningen under knähöjd.
- Håll alla kroppsdelar borta från den roterande skärutrustningen och heta ytor.

Om skärutrustningen lyfts upp ovanför knähöjd måste den justeras. Använd inte grästrimmern innan den har justerats. Om du inte kan balansera grästrimmern med rätt justering ska du kontakta en serviceverkstad.

### Grundläggande åtgärder för trimning

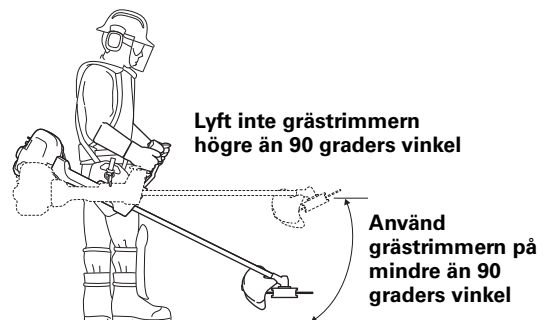
- Använd inte grästrimmern genom att använda armkraft utan använd midjan, så att skärutrustningen svänger i en jämn båge från höger till vänster. Håll grästrimmern så att du säkert och enkelt kan flytta din vikt till höger ben och sedan tillbaka till vänster ben och gå långsamt med små steg.
- När du använder grästrimmern i en måttlig lutning ska du stå i slutningens nedförslut. Branta sluttningar är hala och du kan förlora balansen. Använd inte grästrimmern i branta sluttningar.



### OBSERVERA:

Var försiktig när du går. Använd inte grästrimmern på hala platser, då kan du tappa balansen.

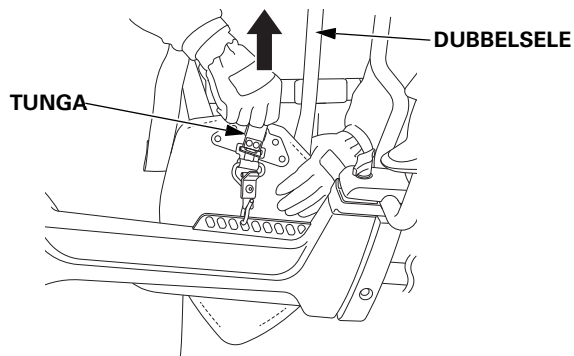
- Lyft inte grästrimmern högre än 90 graders vinkel. Håll alltid grästrimmern inom ett område som är under 90 graders vinkel.





## I en nödsituation

I en nödsituation drar du upp tungan på snabbfästet och skjuter bort grästrimmern så att den lossnar från dubbelselen.



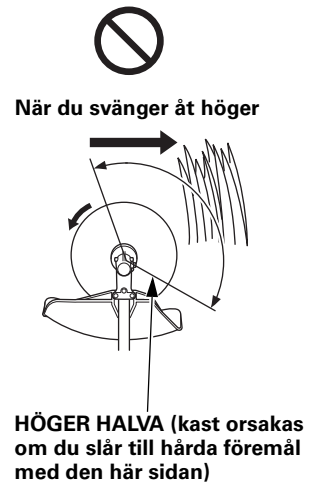
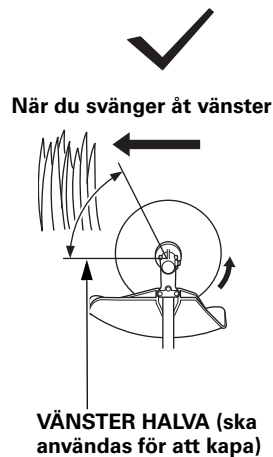
## Undvika kast

Den högra halvan inte får användas för att skära när du kapar med en stålklinga.

Kontakt mellan stålklingan och hårda föremål medan stålklingan roterar gör att verktyget stöts tillbaka på grund av rotationsriktningen (det kallas för kast).

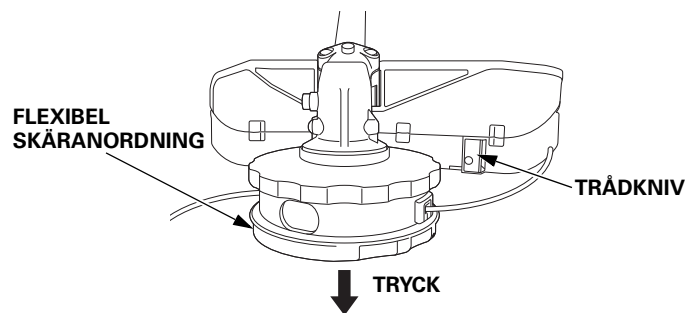
### ⚠ VARNING

- Låt aldrig den roterande stålklingan komma i kontakt med hårda föremål som stenar, träd, pålar eller betong. Om stålklingan träffar sådana föremål, kommer det att leda till kast. Kapa aldrig mycket hårt trä och/eller växter med stjälkar med stor diameter med stålklingan eftersom det kommer att orsaka kast. Vid ett kast förlorar du kontrollen över grästrimmern och stålklingan kan komma i kontakt med operatören eller kringstående vilket kan leda till dödsfall eller allvarlig personskada. Det leder också till en sliten, sprucken eller skadad stålklinga som kan gå sönder och delar av stålklingan kan träffa operatören eller kringstående och orsaka dödsfall eller allvarliga skador.
- Kapning får bara utföras när du svänger grästrimmern åt vänster. Den högra halvan inte får användas för att skära när du kapar med en stålklinga. Skär inte gräs när du svänger enheten åt höger. Om du träffar ett hårt föremål i den riktningen kommer det att leda till kast som kan orsaka dödsfall eller allvarlig skada.
- Om stålklingan kommer i kontakt med ett hinder ska du stoppa motorn omedelbart. Kontrollera stålklingan när stålklingan har slutat att rotera. Börja aldrig arbeta igen med en trasig eller skadad stålklinga.



## Mata ut linan på den flexibla skäranordningen

Nylontråden på sådana skäranordningar matas ut om den flexibla skäranordningen knackas mot marken när motorn är igång. Ett skärutrustningsskydd med trådkniv måste användas med den.



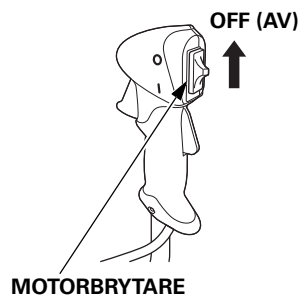
## STÄNGA AV MOTORN

1. Släpp gasreglaget.
2. Vrid om motorbrytaren till läge OFF.

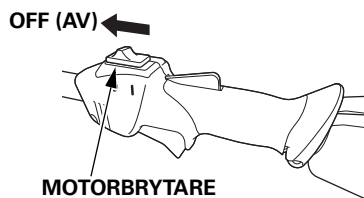
### OBSERVERA:

- Observera att skärutrustningen fortsätter rotera av egen kraft en stund efter det att motorn har stängts av.
- Kontrollera att motorn och skärutrustningen inte roterar innan du lägger grästrimmern på marken.

UEET-, XEET-typer



LEET-typ



## UNDERHÅLL

Regelbundna kontroller och justeringar av grässtrimmern är mycket viktiga för att bibehålla hög prestanda. Regelbundet underhåll kommer även att öka livslängden. I

underhållsschemat beskrivs nödvändiga serviceintervall och den typ av underhåll som ska utföras.

För längre livslängd och effektivitet bör du hålla undersidan av skärutrustningsskyddet ren och fri från gräsklipp genom att tvätta den med en slang efter varje användning och/eller rengöra med metallborste och skrapa.

### ▲ VARNING

- Innan du utför underhåll ska du placera grässtrimmern på en plan yta, kontrollera att skärutrustningen har slutat rotera och sedan vrida motorbrytaren till läget OFF för att förhindra att motorn startar av misstag.
- Grässtrimmern bör underhållas av en serviceverkstad om du inte har rätt verktyg, underhållsdata eller kvalifikationer.

### OBSERVERA:

- Använd bara Hondas originaldelar eller likvärdiga komponenter vid underhåll eller reparation. Reservdelar som inte är av likvärdig kvalitet kan skada grässtrimmern.
- För att undvika personskador ska du montera skyddet på stålklingan innan du underhåller runt stålklingan.

Se sidan 14 när du ska montera skärutrustningens skydd.

## UNDERHÅLLSSCHEMA

ARTIKEL	INTERVALL FÖR REGELBUNDEN SERVICE (3)	Frekvens						Sidan
		Vid varje användning	Första månaden eller 10 timmar.	Var 3:e månad eller var 25:e timme.	Var 6:e månad eller var 50:e timme	En gång per år eller efter 100 timmar	Vartannat år eller var 300:e timme.	
Motorolja	Kontrollera nivå	o						14
	Ändra		o		o			31
Luftrenare	Kontrollera	o						15
	Rengör			o (1)				31
	Ersätt					o		31
Tändstift	Kontrollera-justera					o (2)		-
	Ersätt						o (2)	-
Gasvajer / gasreglage	Kontrollera	o						16
Motorbrytarens funktion	Kontrollera	o						22
Dubbelsele	Kontrollera	o						19
Skärutrustning	Kontrollera (byt vid behov)	o						18
Skärutrustningsskydd	Kontrollera	o						16
Tomgång / koppling	Kontrollera	o						22
Oljekylarens flänsar	Kontrollera / Rengör				o (1)(2)			-
Muttrar, bultar, fästen	Kontrollera (dra åt på nytt om det behövs)	o						18
Bränsletank	Rengör					o		32
Bränslefilter	Kontrollera					o		32
Kopplingsbelägg och trumma	Kontrollera				o (2)(4)			-
Slitage på transmissionshuvud	Kontrollera				o (2)			-
Transmissionshuvud	Kontrollera / Rengör	o						17
	Fett			o				32
Tomgångs-varvtal	Kontrollera-justera					o (2)		-
Ventilspel	Kontrollera-justera					o (2)		-
Förbränningskammare	Rengör	Vartannat år eller var 300:e timme (2)						-
Bränsleslangar	Kontrollera	Varje år eller var 100:e timme (byt ut vid behov) (2)						-
Oljeslangar	Kontrollera	Vartannat år (byt vid behov) (2)						-
Anti-vibrationsgummi (5)	Kontrollera-justera				o (2)			-

- (1) Utför service oftare vid användning i dammiga miljöer.
- (2) Service på dessa delar ska utföras av serviceverkstad såvida du inte har rätt verktyg och själv har de mekaniska kunskaper som krävs. Se Hondas verkstadshandbok för uppgifter om serviceförfaranden.
- (3) Logga antalet drifttimmar för att fastställa rätt underhållsintervall.
- (4) Dessa förbrukningsdelar bör bytas ut efter kort tid om det är nödvändigt.
- (5) XEET-typ (tillämplig typ)

## BYTA SKÄRUTRUSTNING

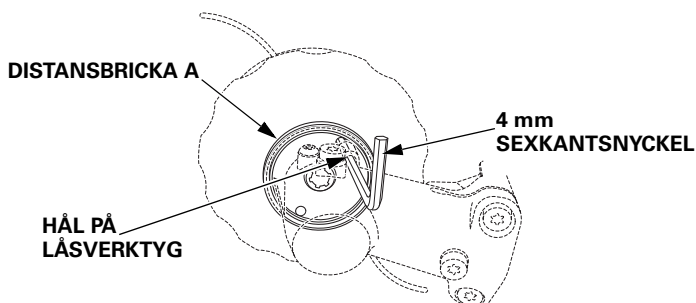
### ⚠ VARNING

- För att undvika allvarliga personskador ska du se till att motorbrytaren är i läget OFF så att motorn inte startar av misstag.
- För säkerhetens skull ska du kontrollera skärutrustningen för slitage och skador samt skärutrustningens åtdragning innan du startar motorn. Om du använder grässtrimmern med en sliten, sprucken eller skadad skärutrustning kan det orsaka personskador eller skador på utrustningen. En sliten, sprucken eller skadad skärutrustning kan gå sönder och delar av den skadade utrustningen kan träffa operatören eller kringstående och orsaka dödsfall eller allvarliga skador.

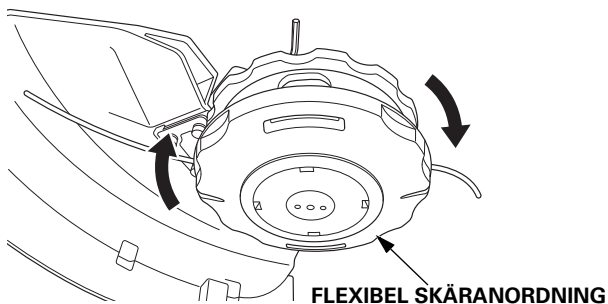
### Byta flexibel skäranordning

Borttagning:

1. Stäng av motorn med motorbrytaren i läge OFF.
2. Sätt in 4 mm sexkantsnyckeln i hålet på låsverktyget. Vrid den flexibla skäranordningen tills du känner att sexkantsnyckeln faller ned i hålet på distansbrickan A. Se till att den flexibla skäranordningen inte vrids.

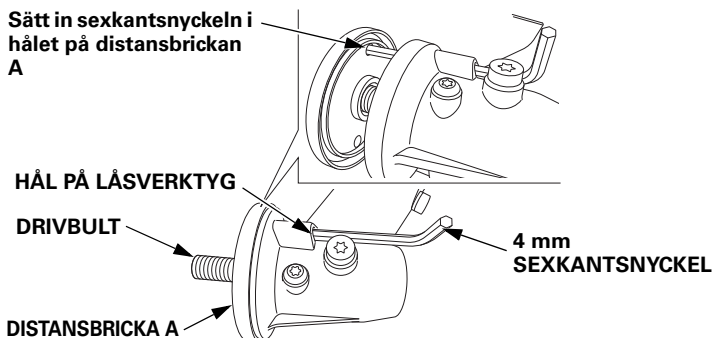


3. Vrid den flexibla skäranordningen medurs för att ta bort den från transmissionshuvudet.

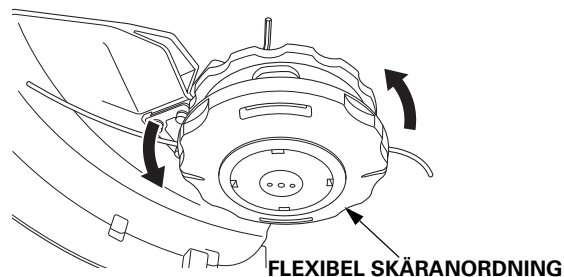


Installation:

1. Se till att distansbrickan A är monterad i transmissionshuvudet.
2. Sätt in 4 mm sexkantsnyckeln i hålet på låsverktyget för att förhindra att drivbulten vrids runt.



3. Vrid den flexibla skäranordningen moturs för att montera den på transmissionshuvudet.



### Byta nylontråd

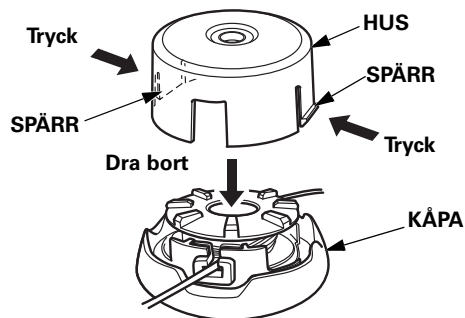
### ⚠ VARNING

- Byt aldrig ut nylonlinan mot lina av något annat material, till exempel ståltråd.

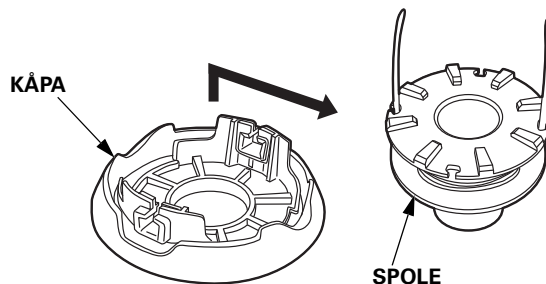
UEET-, LEET-typer:

Rekommenderade specifikationer för nylontråd:  
Nylontråd med standarddiameter: 2,7 mm, maximal längd: 6,0 m

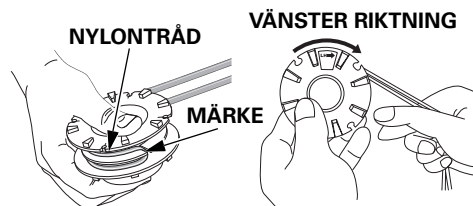
1. Dra av kåpan från huset. Tryck på de två spärrarna på huset och dra kåpan nedåt.



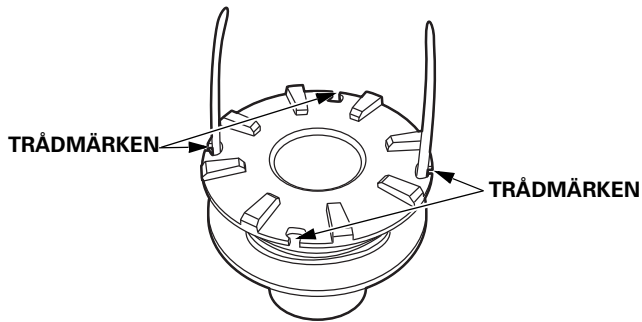
2. Dra bort spolen från kåpan och ta bort resten av nylontråden.



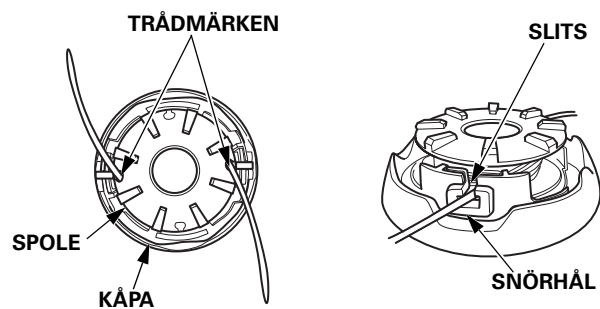
3. Förbered en lämplig längd nylontråd och vik den i mitten på längden.
4. För in mitten av nylontråden i märket på rullen och linda nylontråden genom att vrida i angiven riktning.



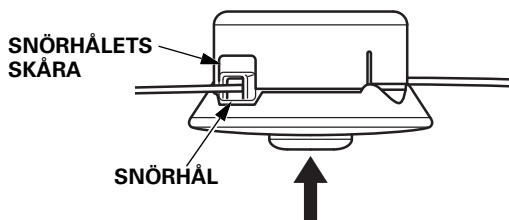
5. Håll fast nylontråden i trådmärkena på en av spolens yttre flänsar. Lämna kvar 10 cm av trådarna från märkena. Låt inte trådarna lossna.



6. Sätt spolen på kåpan så att trådmärkena riktas in med snörhålen på kåpan. För in nylontrådarna i snörhålen genom slitsarna på snörhålets ovsidor.

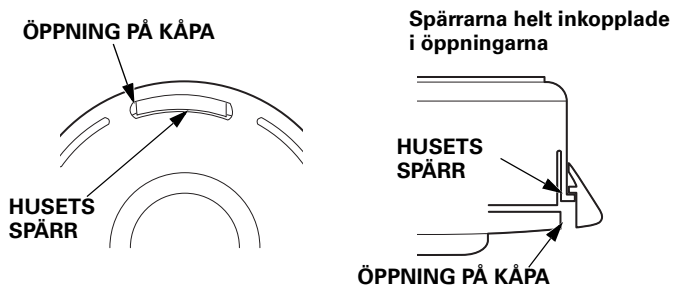


7. Rikta in snörhålet med snörhålets skåra på huset och montera kåpan på huset.



**ANMÄRKNING:**

Se till att husets spärrar kopplas in i öppningarna på kåpan.

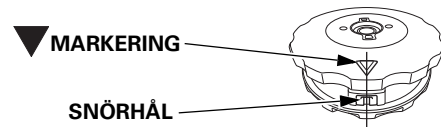


**XEET-typ:**

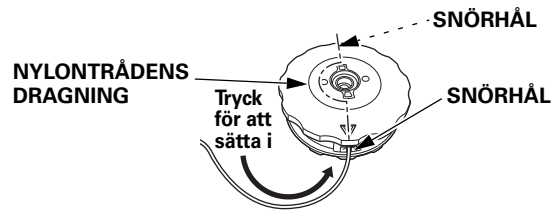
Rekommenderade specifikationer för nylontråd:

Nylontråd med standarddiameter: 3,0 mm, maximal längd: 5,0 m

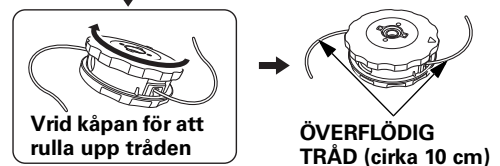
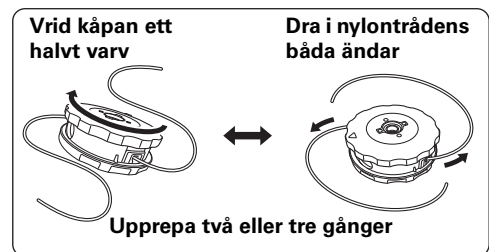
1. Passa in ▼-markeringen med snörhålet.



2. Förbered en lämplig längd nylontråd. För in nylontråden i snörhålet från vänster sida som visas på bilden. När tråden förs in i den riktningen går det lätt att trycka tråden till hålets andra sida.  
3. Tryck på nylontråden så att spetsen på tråden kommer ut på andra sidan av snörhålet.



4. Dra ut nylontråden och justera trådens längd så att längden är densamma på båda sidorna.  
5. Medan du håller i spolen, vrider du kåpan i den angivna riktningen i ett halvt varv för att linda upp nylontråden. Dra i båda ändarna av nylontråden så att den upprullade tråden i spolen spänns, vänd sedan kåpan ett halvt varv och dra i nylontråden igen. Upprepa den här proceduren två eller tre gånger. Vrid sedan kåpan tills de överflödiga trådarna är cirka 10 cm.



## Byta stålklinga

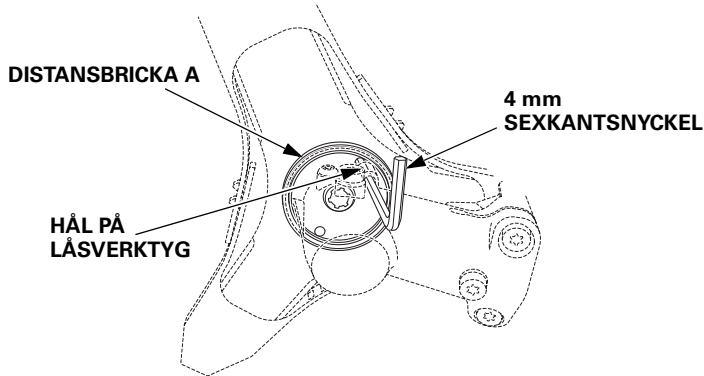
### OBSERVERA:

- Använd grova skyddshandskar när du underhåller runt skärutrustningen.
- För att undvika personskador ska du montera skyddet på stålklingan innan du underhåller runt stålklingan.

Se sidan 14 när du ska montera skärutrustningens skydd.

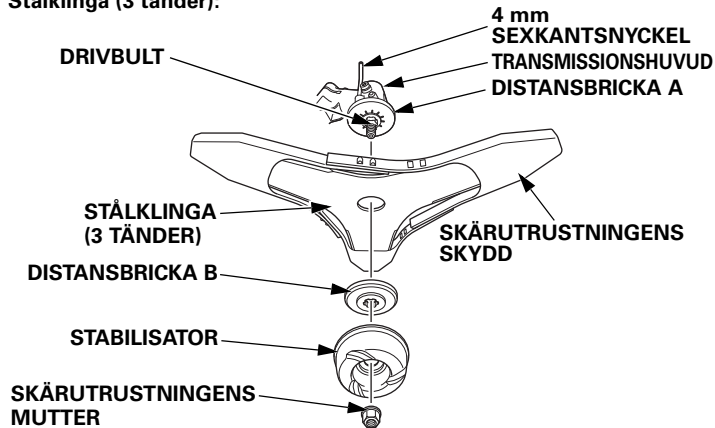
### Borttagning:

1. Stäng av motorn med motorbrytaren i läge OFF.
2. Sätt in 4 mm sexkantsnyckeln i hålet på låsverktyget. Vrid stålklingan tills du känner att sexkantsnyckeln faller ned i hålet på distansbrickan A. Se till att stålklingan inte vrids.

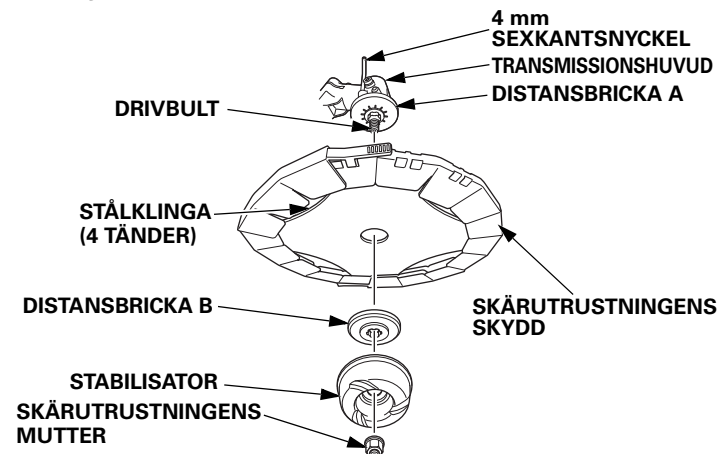


3. Lossa skärutrustningens mutter. Drivbulten och skärutrustningens mutter är vänstergängade. Vrid medurs för att lossa. Var uppmärksam på ordningen och inriktningen av delarna när de tas bort.

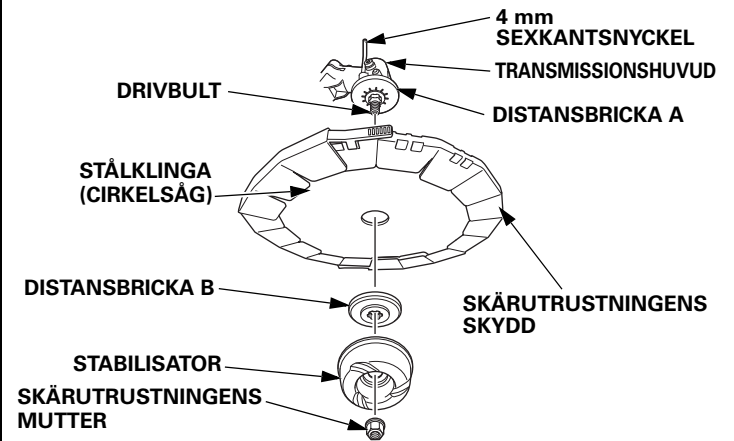
### Stålklinga (3 tänder):



### Stålklinga som tillval (4 tänder):



### Stålklinga som tillval (cirkelsåg):



### Installation:

Se sidan 10 när du ska montera stålklingan.



## BYTE AV MOTOROLJA

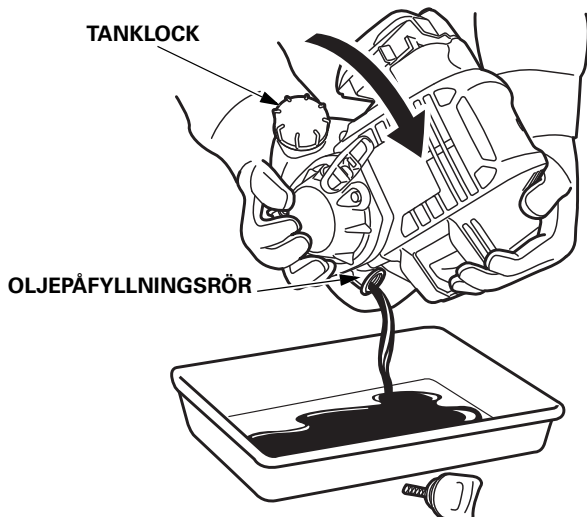
### ANMÄRKNING:

- Om motorn körs med för lite olja kan det leda till allvarliga motorskador.
- Olja utan renande egenskaper eller tvåtaktsolja kan förkorta motorns livslängd.

### ANMÄRKNING:

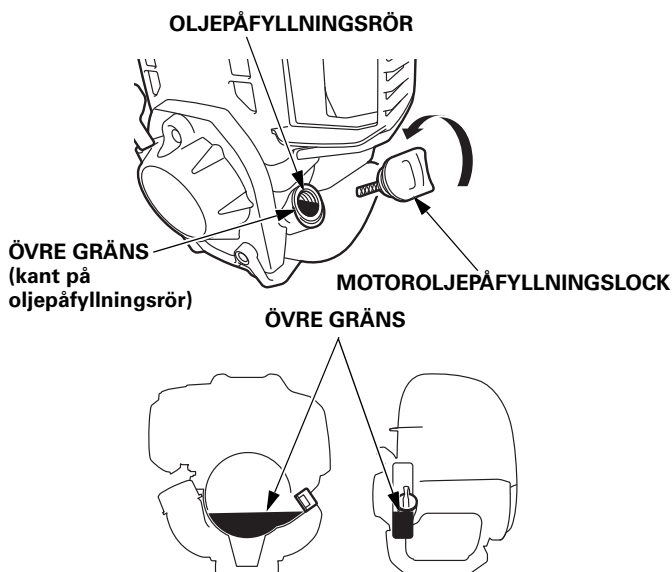
Tappa av oljan medan motorn fortfarande är varm, så att den töms ut snabbt och fullständig.

1. Kontrollera att tanklocket är åtdraget.
2. Ta bort oljepåfyllningslocket och töm ut oljan i behållaren genom att luta motorn mot oljepåfyllningsröret.



3. Fyll på rekommenderad olja upp till den övre gränsen (kanten på oljepåfyllningsröret).
4. Montera oljepåfyllningslocket.

MOTORNS OLJEVOLYM: 130 cm<sup>3</sup> (0,13 L)



Tvätta händerna med tvål och vatten efter hantering av gammal olja.

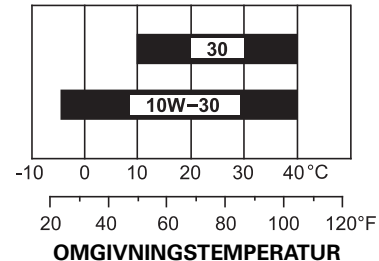
### ANMÄRKNING:

Ta hand om den använda motoroljan på ett miljövänligt sätt. Du bör lämna in den i ett slutet kärl på närmaste bensinstation för återvinning. Kasta den inte i hushållssoporna och häll inte ut den på marken.

## Rekommenderad motorolja

Använd 4-taktsolja som motsvarar eller överträffar kraven för API-klassning SE eller senare (eller likvärdig olja). Kontrollera alltid på API-etiketten på oljebehållaren, bokstavskombinationen ska vara SE eller senare (eller likvärdig). SAE 10W-30 rekommenderas för allmän användning. Andra viskositeter som visas på diagrammet kan användas när medeltemperaturen i området ligger inom angivna värden.

Smörjoljespecifikationer som är nödvändiga för att upprätthålla kontrollsystemets utsläppskapacitet: Äkta Honda-olja.



## RENGÖRA LUFTRENARFILTRET

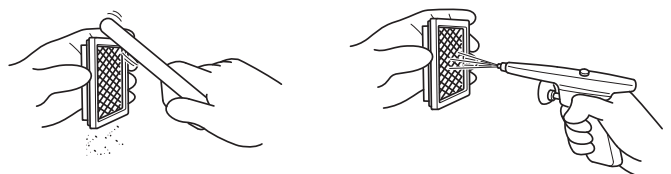
En smutsig luftrenare begränsar luftflödet till förgasaren. För att förhindra funktionsfel i förgasaren ska service utföras regelbundet på luftrenaren. Service ska utföras oftare om grästrimmern används i extremt dammig miljöer.

### ⚠ VARNING

Använd aldrig bensen eller lösningsmedel med låg flampunkt för rengöring av luftrenarelementet. Det kan leda till brand eller explosion.

Avlägsna luftrenarelementet vid rengöring. Se sidan 15 angående borttagning av luftrenarelementet.

Knacka filterelementet av papper flera gånger mot ett hårt underlag för att få bort smuts eller blås med tryckluft [inte mer än 200 kPa (2,0 kgf/cm<sup>2</sup>)] genom luftrenarelementet från sidan på luftrenarhuset. Försök aldrig borsta av smuts; borstning driver in smuts i fibrerna. Byt ut luftrenarelementet om det är mycket smutsigt.



Montera det på luftrenarhuset ordentligt när luftrenarfiltret har gjorts rent.

Se sidan 15 angående luftrenarelementets montering.

### ANMÄRKNING:

Kör aldrig motorn utan luftrenaren eftersom det sliter motorn snabbare.

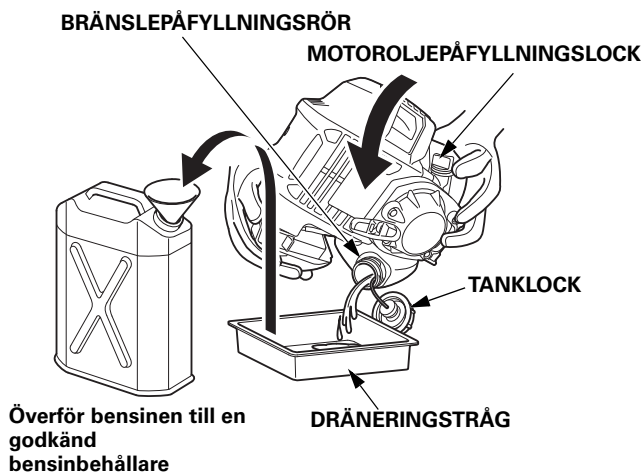
## RENGÖRA BRÄNSLEFILTER OCH BRÄNSLETANK

### ▲ VARNING

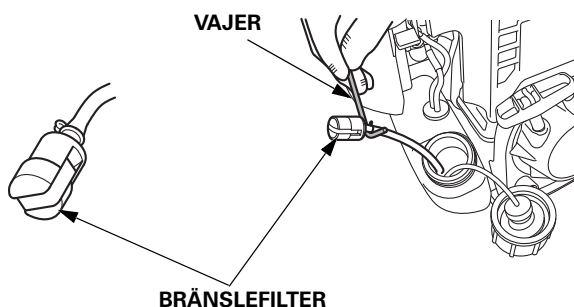
- Bensin är extremt brandfarligt och explosivt under vissa förhållanden.
- Utför underhåll i ett väl ventilerat utrymme med motorn avstängd. Rök inte och se till att inga lågor eller gnistor finns i området där motorn tankas eller bensin lagras.
- Var försiktig så att du inte spiller bränsle vid tankning. Utspillt bränsle eller bränsleångor kan antändas. Om du spiller bränsle måste du se till att området är torrt innan du startar motorn.
- Undvik upprepad eller långvarig hudkontakt och inandning av ångor.
- FÖRVARAS UTOM RÄCKHÅLL FÖR BARN.

Observera att ett igensatt bränslefilter kan orsaka dålig motorprestanda. Vatten, damm, smuts eller förorenat material i bränsletanken orsakar dålig motorprestanda.

1. Kontrollera att motoroljepåfyllningslocket är ordentligt åtdraget.
2. Ta bort tanklocket och töm ut bensinen i en behållare genom att luta motorn mot bränslepåfyllningsröret.



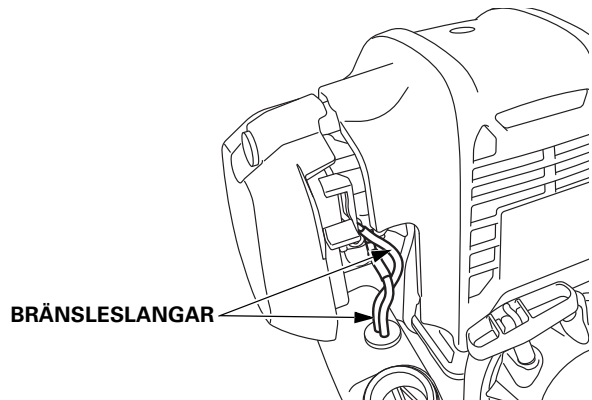
3. Dra försiktigt ut bränslefiltret med en vajer (t.ex. ett uträtat gem) från bränslepåfyllningsröret.



4. Kontrollera om bränslefiltret är smutsigt. Om bränslefiltret är smutsigt, ska du tvätta det försiktigt i ett rengöringsmedel som är brandsäkert eller har hög flampunkt. Om bränslefiltret är mycket smutsigt, ska det bytas ut.
5. Avlägsna vatten och smuts i bränsletanken genom att skölja insidan av bränsletanken med lösningsmedel som inte är brandfarligt eller har hög flampunkt.
6. Sätt tillbaka bränslefiltret i bränsletanken och dra åt tanklocket ordentligt.

## KONTROLLERA BRÄNSLESLANGARNA

Kontrollera efter sprickor och andra försämringar i bränsleslangarna och kontrollera att det inte läcker bränsle från bränsleslangarna. Om du märker något ovanligt på bränsleslangarna bör du kontakta en serviceverkstad.



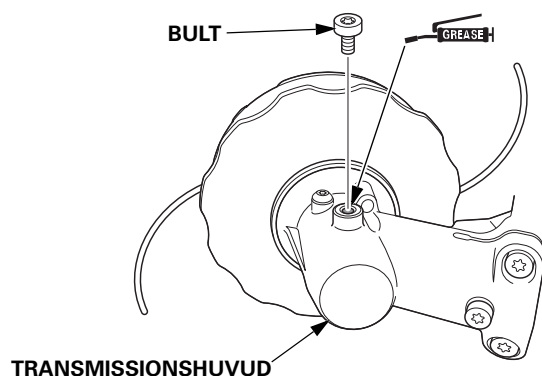
## SMÖRJA TRANSMISSIONSHUVUDET

### ▲ VARNING

- För att undvika allvarliga personskador ska du se till att motorbrytaren är i läget OFF så att motorn inte startar av misstag.

### OBSERVERA:

- Använd grova skyddshandskar när du underhåller runt skärutrustningen.
1. Ta bort bulten från transmissionshuvudet.
  2. Stryk på fett tills fett tränger ut från transmissionshuvudet samtidigt som du vrider skärutrustningen långsamt.  
Maximal mängd fett:  
UEET-, LEET-typer: 14,5 g  
XEET-typ: 19,0 g
  3. Montera bulten ordentligt.  
Dra åt bulten ordentligt. Åtdragningsmoment för bult: 6,9 N·m (0,7 kgf·m)  
Rekommenderat fett: Lithium Complex Moly, NLGI grad 2 = genomträngningen är cirka 290 (motsvarande Molynoc No.2 JXTG Nippon Oil & Energy Corporation)



## TRANSPORT

### OBSERVERA:

- För att undvika personskador ska du montera skyddet på skärutrustningen innan du transporterar grästrimmern.

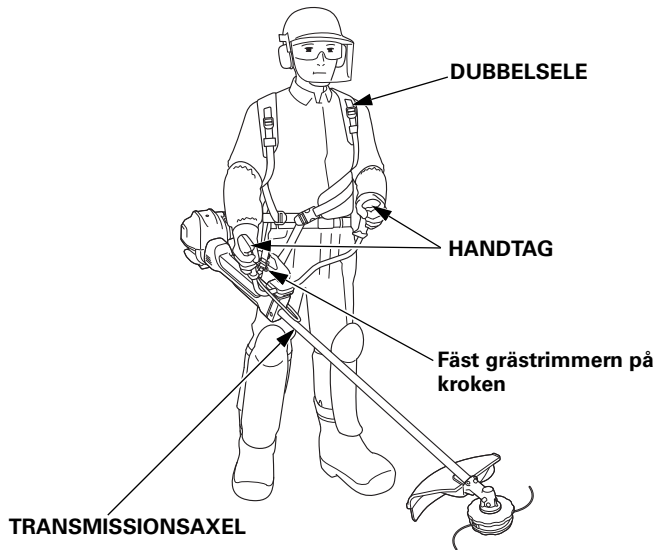
Se sidan 14 när du ska montera skärutrustningens skydd.

Vrid alltid motorbrytaren till läget OFF. Se till att tanklocket är ordentligt åtdraget och att motorn är sval.

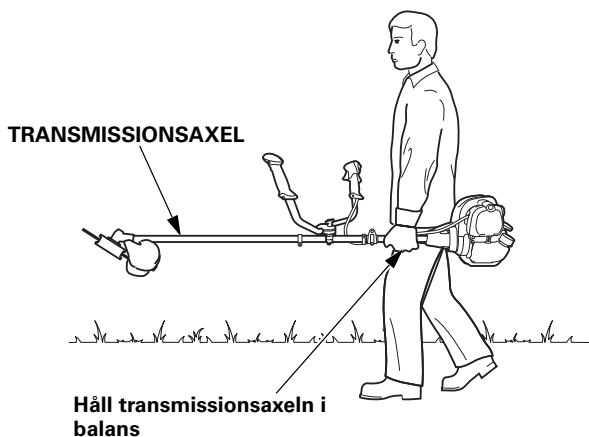
### BÄRA GRÄSTRIMMERN FÖR HAND

Fäst grästrimmern i kroken på dubbelselen och håll i handtagen eller i transmissionsaxeln så att den har god balans.

Hålla i handtagen:



Hålla i transmissionsaxeln:



### TRANSPORTERA GRÄSTRIMMERN I ETT FORDON

Fäst grästrimmern lodrätt och se till att den inte kommer att röra sig eller falla ner.

Vik styrhandtaget efter behov på UEET- och XEET-typer (se sidan 13).

## FÖRVARING

Det är viktigt att förbereda grästrimmern inför förvaringen så att den fungerar problemfritt och ser snygg ut. Följande steg hjälper till att förhindra att rost och korrosion skadar grästrimmern.

### OBSERVERA:

- Om grästrimmern har varit i gång är motorn mycket het. Låt den svalna innan du går vidare.
- Placera grästrimmern på en plan yta och se till att motorbrytaren är i läget OFF för att undvika att motorn startar av misstag.

### RENGÖRA GRÄSTRIMMERN

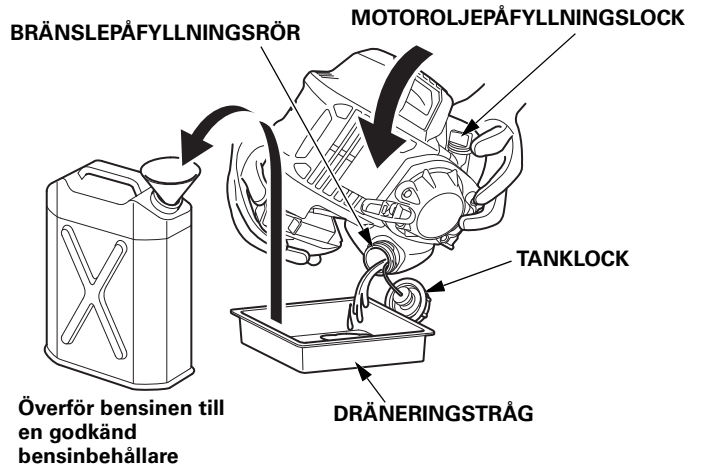
Rengör alla yttre ytor, bättra på skadad färg och bestryk andra ytor som kan rosta med ett lätt lager olja.

### TAPPA UT BRÄNSLET

#### ▲ VARNING

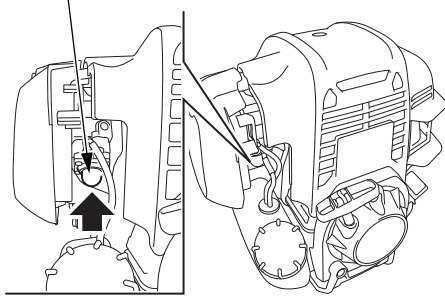
- Bensin är extremt brandfarligt och explosivt under vissa förhållanden.
- Utför underhåll i ett väl ventilerat utrymme med motorn avstängd. Rök inte och se till att inga lågor eller gnistor finns i området där motorn tankas eller bensin lagras.
- Var försiktig så att du inte spiller bränsle vid tankning. Utspillt bränsle eller bränsleångor kan antändas. Om du spiller bränsle måste du se till att området är torrt innan du startar motorn.
- Undvik upprepad eller långvarig hudkontakt och inandning av ångor.
- FÖRVARAS UTOM RÄCKHÅLL FÖR BARN.

1. Kontrollera att motoroljepåfyllningslocket är ordentligt åtdraget.
2. Ta bort tanklocket och töm ut bränslet i en behållare genom att luta motorn mot bränslepåfyllningsröret.



- Tryck på pumpblåsan flera gånger tills allt bränsle har förts över till bränsletanken.

#### PUMPBLÅSA



- Luta motorn mot bränslepåfyllningsröret igen för att tömma ut det kvarvarande bränslet i bränsletanken i behållaren.
- Dra åt tanklocket ordentligt när du har tömt ut bränslet helt.
- Starta motorn och låt den gå tills den stannar på grund av bränslebrist.

#### ANMÄRKNING:

- Dålig bensin kan orsaka oväntade skador på motorn.
- Bensin ska förvaras i en ren behållare som endast används för bensin.
- Bensin ska förvaras på en sval och väl ventilerad plats.
- Förvara eller transportera inte bensin i PET-flaskor [polyetentereftalat].

#### BYTA MOTOROLJA

Se sidan 31 när du ska byta motorolja.

#### OBSERVERA:

Motorn kommer att vara mycket varm om den har varit igång. Låt den svalna innan du fortsätter.

#### RENGÖRA LUFTRENAREN

Se sidan 31 när du ska rengöra luftrenaren.

#### DRA LÅNGSAMT I STARTHANDTAGET

Dra i starthandtaget tills motstånd känns. Förvaring i detta läge förhindrar intern korrosion.

#### OLJA STÅLKLINGAN

Olja stålklingan en aning för att förhindra rost.

#### FÖRVARING

Stäng choken (flytta chokespaken uppåt) och montera skärutrustningens skydd. Vik styrhandtaget efter behov på UEET- och XEET-typer (se sidan 13).

Täck över grästrimmern för att skydda den mot damm. Vid förvaring i vertikalt läge bör motorsidan vara lägre för att förhindra att den faller ner under förvaringen.

Innan du använder grästrimmern ska du utföra kontrollerna före start nog.

## FELSÖKNING

### MOTORN STARTAR INTE

- Inget bränsle. Sidan 15
- Motorbrytaren är i läget OFF. Sidan 23
- Tändhatten felaktigt ansluten eller bortkopplad. -
- Trasigt tändstift eller felaktigt elektroavstånd. -
- Motorn flödad. Avlägsna tändstiftet, torka det med en duk och sätt tillbaka det. -
- Bränslefiltret är smutsigt. Rengör det. Sidan 32

### MOTORN ÄR SVÅRSTARTAD ELLER FÖRLORAR KRAFT

- Smutsig luftrenare. Sidan 31
- Föroreningar i bränsletanken. Sidan 32
- Vatten i bränsletanken och bränslet. Sidan 32
- Tanklockets ventil och/eller förgasaren igensatt. -
- Motorn är varm; choken stängd. Öppna choken. Sidan 23

### GÅR OJÄMNT

- Trasigt tändstift eller felaktigt elektroavstånd. -
- Smutsig luftrenare. Sidan 31

### MOTORN ÖVERHETTAS

- Elektroavstånd är inkorrekt. -
- Smutsig luftrenare. Sidan 31
- Oljekylarens flänsar igensatta. -
- Oljenivån för låg. Sidan 14
- Repstarten är nedsmutsad av gräsklipp o.s.v. -

### GRÄSTRIMMERN VIBRERAR MYCKET

- Obalanserad stålklinga eller felaktigt monterad skärutrustning. -
- Lösa motorbultar. -

### HANDTAGET VIBRERAR FÖR MYCKET (XEET-TYP)

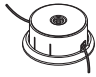


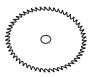




- Flytlådan fungerar inte som den ska eftersom gummihållaren glider. -
- Flytlådan fungerar inte som den ska eftersom gummihållaren skadats. -



Kontakta en serviceverkstad angående eventuella orsaker som inte nämns i denna handbok.

## TILLBEHÖR

### AKTUELLA ARTIKLAR, FÖRBRUKNINGSPARTIKLAR

Olika tillbehör följer med maskinen eller finns som extrautrustning, beroende på modell. Kontakta en serviceverkstad för köp av tillbehör eller delar.

	UEET	LEET	XEET
Gräsklippning och röjning			
	<b>Artikel</b>	Flexibel skärordning	
	<b>Artikelnr.</b>	72560-VL6-P31	72560-VR4-E21
Taggiga häckar och buskar			
	<b>Artikel</b>	Standardstålklinga (3 tänder)	
	<b>Artikelnr.</b>	72511-VL6-P31	72511-VR4-E21
Stora gräsytor			
	<b>Artikel</b>	Stålklinga som tillval (4 tänder)	
	<b>Artikelnr.</b>	72511-VF9-E32 (Ø230 mm) 72512-VL6-P31 (Ø255 mm)	
Kvistiga buskage och buskar (tillval för typerna UEET och XEET)			
	<b>Artikel</b>	Stålklinga som tillval (cirkelsåg)	
	<b>Artikelnr.</b>	72511-VL6-H31	72511-VL6-H31
Standardskärutrustningsskydd för flexibel skärordning och stålklinga (3 tänder, 4 tänder)			
	<b>Artikel</b>	Standardskärutrustningsskydd	
	<b>Artikelnr.</b>	76240-VR4-E01	
Skydd för stålklinga som tillval (cirkelsåg)			
	<b>Artikel</b>	Skärutrustningsskydd som tillval	
	<b>Artikelnr.</b>	76247-VL6-J31	76247-VL6-J31
Skärutrustningsskydd för stålklinga (3 tänder) för UEET- och LEET-typer och alla stålklingor som tillval			
	<b>Artikel</b>	Skärutrustningsskydd	
	<b>Artikelnr.</b>	72534-VJ3-681	
Skärutrustningsskydd för stålklinga (3 tänder) för XEET-typ			
	<b>Artikel</b>	Skärutrustningsskydd	
	<b>Artikelnr.</b>	72534-VR4-E21	

Befintliga delar		
	<b>Artikel</b>	Luftfilter
	<b>Artikelnr.</b>	17211-Z3F-000
	<b>Artikel</b>	Tändstift
	<b>Artikelnr.</b>	31915-Z0H-003
	<b>Artikel</b>	Startrep
	<b>Artikelnr.</b>	28462-ZM3-003
Förbrukningsartiklar		
	<b>Artikel</b>	Motorolja
	<b>Artikelnr.</b>	08221-888-010MP

Bilderna i denna tabell är visuella referenser. Utseendet kan skilja sig från den faktiska produkten.

### ▲ VARNING

För din säkerhet är det strängt förbjudet att installera andra tillbehör än de som anges ovan som är speciellt utformade för din modell och typ av grästrimmer.

## KASSERING

För att skydda miljön ska du inte kasta denna produkt, batteri, motorolja m.m. som vanligt avfall eller i naturen, utan lämna in dem för återvinning. Följ lokala lagar och bestämmelser eller kontakta en auktoriserad Honda-återförsäljare för kassering.

## TEKNISK INFORMATION

### MODIFIERING AV FÖRGASARE VID DRIFT PÅ HÖG HÖJD

På hög höjd är förgasarens normala luft-/bränsleblandning för fet. Detta ger sämre prestanda och högre bränsleförbrukning. En mycket fet blandning smutsar också ned tändstiften och gör motorn svårare att starta.

Drift på annan höjd än denna motor är typgodkänd för under längre perioder kan öka avgasutsläppen.

På hög höjd kan prestanda förbättras genom förändringar av förgasaren. Om grästrimmern alltid ska användas på höjder över 1 500 meter ö.h. ska du låta serviceverkstaden modifiera förgasaren. Om motorn används på hög höjd med förgasaren modifierad för hög höjd kommer motorn att uppfylla utsläppsnormen under hela dess livslängd.

Även med modifierad förgasare minskar motorns styrka med ca 3,5% per 300 meter höjökning. Höjdens påverkan på motoreffekten blir större än så om ingen modifiering av förgasaren görs.

### OBSERVERA:

När förgasaren modifierats för användning på hög höjd kommer bränsle-luftblandningen att vara för mager för körning på låg höjd. Körning på höjder under 1 500 meter ö.h. med modifierad förgasare kan leda till överhettning och allvarliga skador på motorn. Vid användning på låg höjd ska serviceverkstaden återställa förgasaren till de ursprungliga fabriksinställningarna.

## SPECIFIKATIONER

MODELL		UMK450E		
TYP		UEET	LEET	XEET
Beskrivningskod		HAMF	HANF	HAMF
Funktion		Röjning av ris och snår		
<b>RAM</b>				
Handtagstyp		Cykelhandtag	Bygelhandtag	Cykelhandtag
Kopplingstyp		Centrifugalkoppling		
Skärutrustning (flexibel skäranordning)	Typ	Trimmerhuvud med nylontråd, tryck och kör		
	Husets diameter	444 mm		
Skärutrustning (stålklinga)	Typ	Tretandad klinga		
	Total diameter	255 mm		303 mm
Mått Längd x Bredd x Höjd	Flexibel skäranordning	1 870 x 670 x 500 mm	1 870 x 385 x 280 mm	1 880 x 670 x 585 mm
	Stålklinga (3 tänder)	1 905 x 670 x 510 mm	1 905 x 385 x 280 mm	1 925 x 670 x 570 mm
Torrvtikt (utan skärutrustning, olja och bränsle)		8,1 kg	7,7 kg	9,4 kg
Antal varv för skärutrustning (maximal rotation utan belastning)	Flexibel skäranordning	7 100 min <sup>-1</sup> (varv/min)	7 100 min <sup>-1</sup> (varv/min)	7 400 min <sup>-1</sup> (varv/min)
	Stålklinga (3 tänder)	8 150 min <sup>-1</sup> (varv/min)	8 150 min <sup>-1</sup> (varv/min)	7 900 min <sup>-1</sup> (varv/min)
<b>MOTOR</b>				
Modell		GX50T		
Beskrivningskod		GCCFT		
Typ		Fyrtakts, encylindrig med toppventiler, luftkylning		
Slagvolym		47,9 cm <sup>3</sup>		
Cylinderdiameter x slaglängd		43,0 x 33,0 mm		
Nettoeffekt* (SAE J1349)		1,4 kW (2,0 PS)/7 000 min <sup>-1</sup> (varv/min)		
Max. vridmoment, netto* (SAE J1349)		2,2 N·m (0,22 kgf·m)/5 000 min <sup>-1</sup> (varv/min)		
Maxvarvtal utan belastning		MIN. 10 000 min <sup>-1</sup> (varv/min)		
Tomgångsvarvtal		3 100 ± 200 min <sup>-1</sup> (varv/min)		
Motorolja		4-taktsmotorolja, API-klassificering SE eller senare (eller motsvarande), SAE 10W-30		
Oljevolym		130 cm <sup>3</sup> (0,13 L)		
Bränsle		Blyfri bensin E10		
Bränsletankens volym		630 cm <sup>3</sup> (0,63 L)		
Tändning		Transistoriserad magnet		
Tändstift, märke och typ		NGK CMR5H		
Förgasare		Membran		
Koldioxidutsläpp (CO <sub>2</sub> )**		Se "CO <sub>2</sub> Informationslista" på <a href="http://www.honda-engines-eu.com/co2">www.honda-engines-eu.com/co2</a>		

\* Motorers märkeffekt som anges i detta dokument är nettouteffekten testad på en produktionsmotor för motormodellen GX50T och uppmätt i enlighet med SAE J1349 vid 7 000 min<sup>-1</sup> (varv/min) (nettoeffekt) SAE J1349 och 5 000 min<sup>-1</sup> (varv/min) (max. nettovridmoment).

Detta värde kan variera på massproducerade motorer. Den verkliga uteffekten på motorn som monterats i maskinen kommer att variera beroende på ett antal faktorer, så som den installerade motorers driftshastighet, miljöförhållanden, underhåll och andra variabler.

\*\* Koldioxidmätningen kommer från att man under en fast testcykel, under laboratorieförhållanden, testar en (föräldra) motor, som är representativ för motortypen (motorfamiljen) och innebär eller uttrycker inte någon garanti för prestanda, för en viss motor.



<b>BULLER</b>						
Egenskaper  Typer		Ekvivalent ljudtrycksnivå vid operatörens position (2006/42/EC, ISO 22868: 2011) (dB(A))		Uppmätt ljudnivå (2000/14/EC) (dB(A))		Garanterad ljudeffektsnivå (2000/14/EC) (dB(A))
			Mätningens osäkerhet (dB(A))		Mätningens osäkerhet (dB(A))	
UEET	Flexibel skäranordning	96,0	2,3	108,4	2,3	112
	Stålklinga (3 tänder)	94,1	1,6	103,0	1,6	112
	Stålklinga (4 tänder, Ø255 mm) (tillval)	94,2	2,3	103,1	2,3	112
	Stålklinga (4 tänder, Ø230 mm) (tillval)	94,3	1,9	103,1	1,9	112
	Stålklinga (cirkelsåg) (tillval)	94,7	6,4	106,1	6,4	112
LEET	Flexibel skäranordning	94,9	1,3	108,8	1,3	112
	Stålklinga (3 tänder)	92,7	1,4	103,1	1,4	112
	Stålklinga (4 tänder, Ø255 mm) (tillval)	93,2	1,3	103,1	1,3	112
	Stålklinga (4 tänder, Ø230 mm) (tillval)	93,1	1,5	103,0	1,5	112
XEET	Flexibel skäranordning	97,0	1,8	109,2	1,8	112
	Stålklinga (3 tänder)	95,4	1,4	103,4	1,4	112
	Stålklinga (4 tänder, Ø255 mm) (tillval)	94,5	1,2	102,8	1,2	112
	Stålklinga (4 tänder, Ø230 mm) (tillval)	95,1	1,6	102,6	1,6	112
	Stålklinga (cirkelsåg) (tillval)	94,7	4,1	105,7	4,1	112

<b>Vibration</b>				
Egenskaper  Typer och mätpositioner			Ekvivalent vibrationsnivå (2006/42/EC, ISO 22867: 2011) (m/s <sup>2</sup> )	
				Mätosäkerhet (m/s <sup>2</sup> )
UEET	Flexibel skäranordning	Vänster sida	3,58	0,50
		Höger sida	3,80	0,50
	Stålklinga (3 tänder)	Vänster sida	4,06	1,00
		Höger sida	3,39	0,90
	Stålklinga (4 tänder, Ø255 mm) (tillval)	Vänster sida	5,49	1,40
		Höger sida	3,96	1,00
	Stålklinga (4 tänder, Ø230 mm) (tillval)	Vänster sida	3,65	1,20
		Höger sida	2,54	0,60
	Stålklinga (cirkelsåg) (tillval)	Vänster sida	6,80	1,60
		Höger sida	4,52	1,00
LEET	Flexibel skäranordning	Baksida	5,90	0,90
		Framsida	4,77	1,40
	Stålklinga (3 tänder)	Baksida	5,58	0,50
		Framsida	4,89	2,10
	Stålklinga (4 tänder, Ø255 mm) (tillval)	Framsida	5,66	0,80
		Baksida	5,91	0,40
Stålklinga (4 tänder, Ø230 mm) (tillval)	Framsida	4,18	1,30	
	Baksida	5,81	0,80	
XEET	Flexibel skäranordning	Vänster sida	2,30	0,60
		Höger sida	1,80	0,20
	Stålklinga (3 tänder)	Vänster sida	2,45	0,48
		Höger sida	1,85	0,27
	Stålklinga (4 tänder, Ø255 mm) (tillval)	Vänster sida	2,25	0,41
		Höger sida	1,87	0,35
	Stålklinga (4 tänder, Ø230 mm) (tillval)	Vänster sida	2,30	0,64
		Höger sida	1,93	0,44
Stålklinga (cirkelsåg) (tillval)	Vänster sida	2,36	0,50	
	Höger sida	2,15	0,20	



**Major Honda distributor addresses**  
**Adresses des principaux concessionnaires Honda**  
**Adressen der wichtigsten Honda-Haupthändler**  
**Elenco dei maggiori distributori Honda in Europa**  
**Adressen van Honda-importeurs**  
**Adresser till större Honda-återförsäljare**

**AUSTRIA**

**Honda Motor Europe Ltd**  
 Hondastraße 1  
 2351 Wiener Neudorf  
 Tel.: +43 (0)2236 690 0  
 Fax: +43 (0)2236 690 480  
 http://www.honda.at  
 ✉ HondaPP@honda.co.at

**BALTIC STATES**  
**(Estonia/Latvia/  
 Lithuania)**

**NGC Import Baltics OU**  
 Meistri 12  
 Haabersti District  
 13517 Tallinn  
 Harju County Estonia  
 Tel.: +372 651 7300  
 Fax: +372 651 7301  
 ✉ info.baltic@ngcimport.com

**BELARUS**

**UAB JP Motors**  
 Montazhnikov lane 4th, 5-16  
 Minsk 220019  
 Republic of Belarus  
 Tel.: +375172349999  
 Fax: +375172380404  
 ✉ honda@jpmotors.lt

**BELGIUM**

**Honda Motor Europe Ltd**  
 Doornveld 180-184  
 1731 Zellik  
 Tel.: +32 2620 10 00  
 Fax: +32 2620 10 01  
 http://www.honda.be  
 ✉ bh\_pe@honda-eu.com

**BULGARIA**

**Premium Motor Ltd**  
 Andrey Lyapchev Blvd no 34  
 1797 Sofia  
 Bulgaria  
 Tel.: +3592 423 5879  
 Fax: +3592 423 5879  
 http://www.hondamotor.bg  
 ✉ office@hondamotor.bg

**CROATIA**

**Hongoldonia d.o.o.**  
 Vukovarska ulica 432a  
 31000 Osijek, HR  
 Tel.: +38531320420  
 Fax: +38531320429  
 http://www.hongoldonia.hr  
 ✉ prodaja@hongoldonia.hr

**CYPRUS**

**Demstar Automotive Ltd**  
 Mihail Giorgalla 14  
 2409 Engomi  
 Nicosia  
 Cyprus  
 Tel.: +357 22 792 600  
 Fax: +357 22 430 313

**CZECH REPUBLIC**

**BG Technik cs, a.s.**  
 U Zavodiste 25/18  
 15900 Prague 5 - Velka  
 Chuchle  
 Tel.: +420 2 838 70 850  
 Fax: +420 2 667 111 45  
 http://www.honda-stroje.cz

**DENMARK**

**TIMA A/S**  
 Ryttermarken 10  
 DK-3520 Farum  
 Tel.: +45 36 34 25 50  
 Fax: +45 36 77 16 30  
 http://www.tima.dk

**FINLAND**

**OY Brandt AB.**  
 Tuupakantie 7B  
 01740 Vantaa  
 Tel.: +358 207757200  
 Fax: +358 9 878 5276  
 http://www.brandt.fi

**FRANCE**

**Honda Motor Europe Ltd**  
 Division Produit d'Equipement  
 Parc d'activités de Pariest,  
 Allée du 1er mai  
 Croissy Beaubourg BP46, 77312  
 Marne La Vallée Cedex 2  
 Tel.: 01 60 37 30 00  
 Fax: 01 60 37 30 86  
 http://www.honda.fr  
 ✉ espace-client@honda-eu.com

**GERMANY**

**Honda Deutschland  
 Niederlassung der Honda Motor  
 Europe Ltd.**  
 Hanauer Landstraße 222-224  
 D-60314 Frankfurt  
 Tel.: 01805 20 20 90  
 Fax: +49 (0)69 83 20 20  
 http://www.honda.de  
 ✉ info@post.honda.de

**GREECE**

**Saracakis Brothers S.A.**  
 71 Leoforos Athinon  
 10173 Athens  
 Tel.: +30 210 3497809  
 Fax: +30 210 3467329  
 http://www.honda.gr  
 ✉ info@saracakis.gr

**HUNGARY**

**MP Motor Co., Ltd.**  
 Kamaraerdei ut 3.  
 2040 Budaors  
 Hungary  
 Tel.: +36 23 444 971  
 Fax: +36 23 444 972  
 http://www.hondakisgepek.hu  
 ✉ info@hondakisgepek.hu

**IRELAND**

**Two Wheels Ltd**  
 M50 Business Park, Ballymount  
 Dublin 12  
 Tel.: +353 1 4381900  
 Fax: +353 1 4607851  
 http://www.hondaireland.ie  
 ✉ sales@hondaireland.ie

**ISRAEL**

**Mayer's Cars and Trucks Co.Ltd. -  
 Honda Division**  
 Shevach 5, Tel Aviv , 6777936  
 Israel  
 +972-3-6953162  
 ✉ OrenBe@mct.co.il

**ITALY**

**Honda Motore Europe Ltd**  
 Via della Cecchignola, 13  
 00143 Roma  
 Tel.: +848 846 632  
 Fax: +39 065 4928 400  
 http://www.hondaitalia.com  
 ✉ info.power@honda-eu.com

**MACEDONIA**

**Makpetrol A.D. Honda Centar**  
 Bul.sv Kiril & Metodij br. 4  
 1000, Skopje  
 Republic of Macedonia  
 ✉ aleksandar.stanojlovic@  
 makpetrol.com.mk

**MALTA**

**The Associated Motors  
 Company Ltd.**  
 New Street in San Gwakklin Road  
 Mriehel Bypass, Mriehel QRM17  
 Tel.: +356 21 498 561  
 Fax: +356 21 480 150  
 ✉ mgalea@gasanzammit.com

**NORWAY**

**Berema AS**  
 P.O. Box 454 1401 Ski  
 Tel.: +47 64 86 05 00  
 Fax: +47 64 86 05 49  
 http://www.berema.no  
 ✉ berema@berema.no

**POLAND**

**Aries Power Equipment**  
 Pulawska 467  
 02-844 Warszawa  
 Tel.: +48 (22) 861 43 01  
 Fax: +48 (22) 861 43 02  
 http://www.ariespower.pl  
 http://www.mojahonda.pl  
 ✉ info@ariespower.pl

**PORTUGAL**

**GROW Productos de Forca  
 Portugal**  
 Rua Fontes Pereira de Melo, 16  
 Abrunheira, 2714-506 Sintra  
 Tel.: +351 211 303 000  
 Fax: +351 211 303 003  
 http://www.grow.com.pt  
 ✉ geral@grow.com.pt

**ROMANIA**

**Hit Power Motor SRL**  
 Intr Gheorghe Simionescu Nr 4  
 Sector 1  
 Bucharest 1  
 Romania  
 Tel.: (+4) 0371 201 040  
 ✉ office@honda.ro

**ROMANIA**

**Agrisorg SRL**  
 Sacadat Str Principala  
 Nr 444/A Jud. Bihor  
 Oradea  
 Romania  
 Tel.: (+4) 0259 458 336  
 ✉ info@agrisorg.com

**SERBIA &  
 MONTENEGRO**

**ITH Trading Co Doo**  
 Majke Jevrosime 26  
 1100 Beograd  
 Serbia  
 Tel.: +381 11 3240627  
 Fax: +381 11 3240627  
 http://www.hondasrbija.co.rs  
 ✉ sstevanovic@ithtrading.co.rs

**SLOVAK REPUBLIC**

**Honda Motor Europe Ltd  
 Slovensko, organizačná zložka**  
 Prievozska 6 821 09 Bratislava  
 Tel.: +421 2 32131111  
 Fax: +421 2 32131112  
 http://www.honda.sk

**SLOVENIA**

**AS Domzale Moto Center D.O.O.**  
 Blatnica 3A  
 1236 Trzin  
 Tel.: +386 1 562 3700  
 Fax: +386 1 562 3705  
 http://www.honda-as.com  
 ✉ infomacije@honda-as.com

**SPAIN & all Provinces**

**Greens Power Products, S.L.**  
 Poligono Industrial Congost -  
 Av Ramon Ciarans n°2  
 08530 La Garriga - Barcelona  
 Tel.: +34 93 860 50 25  
 Fax: +34 93 871 81 80  
 http://www.hondaencasa.com

**SWEDEN**

**Honda Motor Europe Ltd filial  
 Sverige**  
 Box 31002 - Långhusgatan 4  
 215 86 Malmö  
 Tel.: +46 (0)40 600 23 00  
 Fax: +46 (0)40 600 23 19  
 http://www.honda.se  
 ✉ hpesinfo@honda-eu.com

**SWITZERLAND**

**Honda Motor Europe Ltd.  
 Succursale de Satigny/Genève**  
 Rue de la Bergère 5  
 1242 Satigny  
 Tel.: +41 (0)22 989 05 00  
 Fax: +41 (0)22 989 06 60  
 http://www.honda.ch

**TURKEY**

**Anadolu Motor Uretim Ve  
 Pazarlama As**  
 Sekerpinar Mah  
 Albayrak Sok No 4  
 Cayirova 41420  
 Kocaeli  
 Tel.: +90 262 999 23 00  
 Fax: +90 262 658 94 17  
 http://www.anadolumotor.com.tr  
 ✉ antor@antor.com.tr

**UKRAINE**

**Dnipro Motor LLC**  
 3, Bondarsky Alley,  
 Kyiv, 04073, Ukraine  
 Tel.: +380 44 537 25 76  
 Fax: +380 44 501 54 27  
 ✉ igor.lobunets@honda.ua

**UNITED KINGDOM**

**Honda Motor Europe Ltd**  
 Cain Road  
 Bracknell  
 Berkshire  
 RG12 1 HL  
 Tel.: +44 (0)845 200 8000  
 http://www.honda.co.uk

**"EC Declaration of Conformity" CONTENT OUTLINE**  
**"Déclaration CE de Conformité" DESCRIPTION DE TABLE DES MATIERES**  
**"EG-Konformitätserklärung" INHALTSÜBERSICHT**  
**DESCRIPCIÓN GENERAL DEL CONTENIDO DE LA "Declaración de Conformidad CE"**  
**DESCRIZIONE DEL CONTENUTO DELLA "Dichiarazione CE di Conformità"**

**EC Declaration of Conformity**

1. The undersigned, \*2, representing the manufacturer, herewith declares that the machinery described below fulfils all the relevant provisions of:
- Directive 2006/42/EC on machinery
  - Directive 2014/30/EU on electromagnetic compatibility
  - Directive 2000/14/EC – 2005/88/EC on outdoor noise
  - Directive 2011/65/EU - (EU) 2015/863 on the restriction of the use of certain hazardous substances in electrical and electronic equipment

2. Description of the machinery
- a) Product: Brush cutter  
b) Function: Cutting of brush

c) Model	d) Type	e) Serial number
*1	*1	

3. Manufacturer and able to compile the technical documentation  
Honda France Manufacturing S.A.S.  
Pôle 45 – Rue des Châtaigniers  
45140 ORMES - FRANCE

4. Reference to applied standards
EN ISO 14982 : 2009
EN ISO 11806-1 : 2011

5. Outdoor noise Directive
- a) Measured sound power dB(A): \*1  
b) Guaranteed sound power dB(A): \*1  
c) Noise parameter: \*1  
d) Conformity assessment procedure: \*2  
e) Notified body: \*2
6. Done at: ORMES – FRANCE  
7. Date: \*2

\_\_\_\_\_  
\*2  
President  
Honda France Manufacturing S.A.S.

\*1: see specification page.  
\*2: see original EC Declaration of Conformity.  
\*1: voir page de spécifications  
\*2: voir la Déclaration CE de Conformité originale  
\*1: Siehe Spezifikationen-Seite  
\*2: Siehe ursprüngliche EG-Konformitätserklärung

\*1: consulte la página de las especificaciones  
\*2: ver Declaración de conformidad CE original  
\*1: vedi la pagina delle caratteristiche tecniche  
\*2: V. Dichiarazione CE di Conformità originale  
\*1: Zie specificities pagina  
\*2: Zie ook de originele EG-verklaring van overeenstemming

<p><b>Français. (French)</b> Déclaration CE de Conformité 1. Le soussigné, *2, représentant du constructeur, déclare que la machine décrit ci-dessous répond à toutes les dispositions applicables de * Directive Machine 2006/42/CE * Directive 2014/30/UE en lien avec la compatibilité électromagnétique * Directive 2000/14/CE – 2005/88/CE des émissions sonores dans l'environnement des matériels destinés à être utilisés à l'extérieur des bâtiments * Directive 2011/65/UE - (UE) 2015/863 relative à la limitation de l'utilisation de certaines substances dangereuses dans les équipements électriques et électroniques 2. Description de la machine a) Produit: Débroussailleuse b) Fonction : débroussailler c) Modèle d) Type e) Numéro de série 3. Constructeur et en charge des éditions de documentation techniques 4. Référence aux normes appliquées 5. Directive des émissions sonores dans l'environnement des matériels destinés à être utilisés à l'extérieur des bâtiments a) Puissance acoustique mesurée b) Puissance acoustique garantie c) Paramètre du bruit d) Procédure d'évaluation de conformité e) Organisme notifié 6. Fait à 7. Date</p>	<p><b>Italiano (Italian)</b> Dichiarazione CE di Conformità 1. Il sottoscritto, *2 in rappresentanza del costruttore, dichiara qui di seguito che la macchina sotto descritta soddisfa tutte le disposizioni pertinenti delle: * Direttiva macchine 2006/42/CE * Direttiva 2014/30/UE sulla compatibilità elettromagnetica * Direttiva sulla emissione acustica delle macchine e attrezzature destinate a funzionare all'aperto 2000/14/CE – 2005/88/CE * Direttiva 2011/65/UE - (UE) 2015/863 sulla restrizione dell'uso di determinate sostanze pericolose nelle apparecchiature elettriche ed elettroniche 2. Descrizione della macchina a) Prodotto: Decespugliatore b) Funzione : Taglio di erba c) Modello d) Tipo e) Numero di serie 3. Costruttore e competente per la compilazione della documentazione tecnica 4. Riferimento alle norme applicate 5. Direttiva sulla emissione acustica delle macchine e attrezzature destinate a funzionare all'aperto a) Livello di potenza sonora misurato b) Livello di potenza sonora garantito c) Parametri emissione acustica d) Procedura di valutazione della conformità e) Organismo notificato 6. Fatto a 7. Data</p>	<p><b>Deutsch (German)</b> EG-Konformitätserklärung 1. Der Unterzeichner, *2 der den Hersteller vertritt, erklärt hiermit dass das hierunter genannte Maschine allen einschlägigen Bestimmungen der * entspricht. * Maschinenrichtlinie 2006/42/EG * Richtlinie 2014/30/UE über die elektromagnetische Verträglichkeit * Geräuschrichtlinie im Freien 2000/14/EG – 2005/88/EG * Richtlinie 2011/65/UE - (EU) 2015/863 zur Beschränkung der Verwendung bestimmter gefährlicher Stoffe in Elektro- und Elektronikgeräten 2. Beschreibung der Maschine a) Produkt: Freischneider b) Funktion : Sträucher schneiden c) Modell d) Typ e) Seriennummer 3. Hersteller und in der Position, die technische Dokumentation zu erstellen 4. Verweis auf anwendbare Standards 5. Geräuschrichtlinie im Freien a) gemessene Lautstärke b) Schalleistungspegel c) Geräuschvorgabe d) Konformitätsbewertungs Ablauf e) Benannte Stelle 6. Ort 7. Datum</p>
<p><b>Nederlands (Dutch)</b> EG-verklaring van overeenstemming 1. Ondergetekende, *2, vertegenwoordiger van de constructeur, verklaart hiermee dat het hieronder beschreven machine voldoet aan alle toepasselijke bepalingen van: * Richtlijn 2006/42/EG betreffende machines * Richtlijn 2014/30/UE betreffende elektromagnetische overeenstemming * Richtlijn 2000/14/EG – 2005/88/EG betreffende geluidsemissie (openlucht) * Richtlijn 2011/65/UE - (EU) 2015/863 betreffende beperking van het gebruik van bepaalde gevaarlijke stoffen in elektrische en elektronische apparatuur 2. Beschrijving van de machine a) Product: Bosmaaier b) Functie : lang gras en struikgewas maaien c) Model d) Type e) Serienummer 3. Fabrikant en in staat om de technische documentatie samen te stellen 4. Referentie voor toegepaste normen 5. Geluidsemissierichtlijn (openlucht) a) Gemeten geluidsvermogensniveau b) Gewaarborgd geluidsvermogensniveau c) Geluidsparemeter d) Conformiteitsbeoordelingsprocedure e) Aangemelde instantie 6. Plaats 7. Datum</p>	<p><b>Dansk (Danish)</b> EU OVERENSTEMMELSEERKLÆRING 1. UNDERTEGNEDE, *2, SOM REPRÆSENTERER PRODUCENTEN, ERKLÆRER HERMED AT MASKINEN, SOM ER BESKREVET NEDENFOR, OPFYLDER ALLE RELEVANTE BESTEMMELSER I FØLGE: * MASKINDIREKTIV 2006/42/EF * Direktiv 2014/30/UE om elektromagnetisk kompatibilitet * DIREKTIV OM STØJEMMISSION 2000/14/EF – 2005/88/EF * direktiv 2011/65/UE - (EU) 2015/863 om begrænsning af anvendelsen af visse farlige stoffer i elektrisk og elektronisk udstyr 2. BESKRIVELSE AF PRODUKTET a) Produkt: Buskrydder b) ANVENDELSE : Rydning af krat c) Model d) TYPE e) SERIENUMMER 3. PRODUCENT OG I STAND TIL AT UDARBEJDE DEN TEKNISKE DOKUMENTATION 4. Hensvning til anvendte standarder 5. DIREKTIV OM STØJEMMISSION FRA MASKINER TIL UDENDØRS BRUG a) MÅLT LYEFFEKTNIVEAU b) GARANTERET LYEFFEKTNIVEAU c) STØJPARAMETER d) PROCEDURE FOR OVERENSSTEMMELSESVURDERING e) BEMYNDIGET ORGAN 6. STED 7. DATO</p>	<p><b>Ελληνικά (Greek)</b> ΕΚ-Δήλωση συμμόρφωσης 1. Ο κάτωθι υπογεγραμμένος, *2, εκπροσωπώντας τον κατασκευαστή, δηλώνω ότι το παρακάτω περιγραφόμενο όχημα πληροί όλες τις σχετικές προδιαγραφές του: * Οδηγία 2006/42/ΕΚ για μηχανές * Οδηγία 2014/30/ΕΕ σχετικά με την ηλεκτρομαγνητική συμβατότητα * Οδηγία 2000/14/ΕΚ – 2005/88/ΕΚ για το επίπεδο θορύβου σε εξωτερικούς χώρους. * Οδηγία 2011/65/ΕΕ - (ΕΕ) 2015/863 για τον περιορισμό της χρήσης ορισμένων επικίνδυνων ουσιών σε ηλεκτρικό και ηλεκτρονικό εξοπλισμό 2. Περιγραφή μηχανήματος a) προϊόν: Θασμοκοπτικό b) Λειτουργία : για κόψιμο θάμνων c) Μοντέλο d) Τύπος e) Αριθμός σειράς παραγωγής 3. Κατασκευαστής και να είναι σε θέση να καταρτίσει τον τεχνικό φάκελο 4. Παραπομπή στα ισχύοντα πρότυπα 5. Οδηγία επιπέδου θορύβου εξωτερικών χώρων a) Μετρηθείσα ηχητική ένταση b) Εγγυημένη ηχητική ένταση c) Ηχητική παράμετρος d) Διαδικασία πιστοποίησης e) Οργανισμός πιστοποίησης 6. Η δοκιμή έγινε 7. Ημερομηνία</p>
<p><b>Svenska (Swedish)</b> EG-försäkran om överensstämmelse 1. Undertecknad, *2, representant för tillverkaren, deklarerar härmed att maskinen beskriven nedan fullföljer alla relevanta bestämmelser enligt: * Direktiv 2006/42/EG gällande maskiner * Direktiv 2014/30/UE på elektromagnetisk kompatibilitet * Direktiv 2000/14/EG – 2005/88/EG gällande buller utomhus * direktiv 2011/65/UE - (EU) 2015/863 om begränsning av användning av vissa farliga ämnen i elektrisk och elektronisk utrustning 2. Maskinbeskrivning a) Produkt: Röjsåg b) Funktion : sly och buskröjning c) Modell d) Typ e) Serienummer 3. Tillverkare och ska kunna sammanställa teknisk dokumentationen 4. Referens för tillämpad standard 5. Direktiv för buller utomhus a) Uppmätt ljudnivå b) Garanterad ljudnivå c) Buller parameter d) Förfarande för bedömning e) Anmälda organ 6. Utfärdat vid 7. Datum</p>	<p><b>Español (Spanish)</b> Declaración de Conformidad CE 1. El firmante, *2, en representación del fabricante, adjunto declara que la máquina abajo descrita, cumple las cláusulas relevantes de: * Directiva 2006/42/CE de maquinaria * Directiva 2014/30/UE sobre compatibilidad electromagnética * Directiva 2000/14/CE – 2005/88/CE de ruido exterior * Directiva 2011/65/UE - (UE) 2015/863 sobre restricciones a la utilización de determinadas sustancias peligrosas en aparatos eléctricos y electrónicos 2. Descripción de la máquina a) Producto: Desbrozadora b) Función : Cortar maleza c) Modelo d) Tipo e) Número de serie 3. Fabricante que puede compilar el expediente técnico 4. Referencia a normas aplicadas 5. Directiva sobre ruido exterior a) Potencia sonora Medida b) Potencia sonora Garantizada c) Parámetros ruido d) Procedimiento evaluación conformidad e) Organismo notificado 6. Realizado en 7. Fecha</p>	<p><b>Română (Romanian)</b> CE -Declaratie de Conformitate 1. Subsemnatul *2, reprezentand producatorul, declar prin prezenta faptul ca echipamentul descris mai jos indeplineste toate conditiile necesare din: * Directiva 2006/42/CE privind echipamentul * Directiva 2014/30/UE privind compatibilitatea electromagnetica * Directiva 2000/14/CE – 2005/88/CE privind poluarea fonica in spatiu deschis * Directiva 2011/65/UE - (UE) 2015/863 privind restrictiile de utilizare a anumitor substante periculoase in echipamentele electrice și electronice 2. Descrierea echipamentului a) Produsul: Motocoasa b) Domeniu de utilizare : tunderea buruienilor c) Model d) Tip e) Serie produs 3. Producator și abilitat să realizeze documentație tehnică 4. Referință la standardele aplicate 5. Directiva privind poluarea fonica in spatiu inchis a) Puterea acustica masurata b) Putere acustica maxim garantata c) Indice poluare fonica d) Procedura de evaluare a conformitatii e) Notificari 6. Emisa la 7. Data</p>

<p><b>Português ( Portuguese )</b> Declaração CE de Conformidade</p> <p>1. O abaixo assinado, *2, representante do fabricante, declara que a máquina abaixo descrita cumpre todas as estipulações relevantes da:</p> <p>* Directiva 2006/42/CE de máquina * Directiva 2014/30/UE relativa à compatibilidade electromagnética * Directiva 2000/14/CE – 2005/88/CE de ruído exterior * Directiva 2011/65/UE - (UE) 2015/863 relativa à restrição do uso de determinadas substâncias perigosas em equipamentos eléctricos e electrónicos</p> <p>2. Descrição da máquina a) Produto: Moto-roçadora b) Função : corte de arbustos c) Modelo d) Tipo e) Número de série</p> <p>3. Fabricante com capacidade para compilar documentação técnica</p> <p>4. Referência às normas aplicadas</p> <p>5. Directiva de ruído exterior a) Potência sonora medida b) Potência sonora garantida c) Parametro de ruído d) Procedimento de avaliação da conformidade e) Organismo notificado</p> <p>6. Feito em 7. Data</p>	<p><b>Polski ( Polish )</b> Declaracja zgodności WE</p> <p>1. Niżej podpisany *2, reprezentujący producenta, niniejszym deklaruje , że urządzenie opisane poniżej spełnia wszelkie właściwe postanowienia:</p> <p>* Dyrektywy maszynowej 2006/42/WE * Dyrektywa 2014/30/UE Kompatybilności Elektromagnetycznej * Dyrektywa Hałasowa 2000/14/WE – 2005/88/WE * Dyrektywy 2011/65/UE - (UE) 2015/863 w sprawie ograniczenia stosowania niektórych niebezpiecznych substancji w sprzęcie elektrycznym i elektronicznym</p> <p>2. Opis urządzenia a) Produkt: Wykaszarka /Kosa mechaniczna b) Funkcja : ścinanie zarośli c) Model d) Typ e) Numery seryjne</p> <p>3. Producent oraz osoba upoważniona do przygotowania dokumentacji technicznej</p> <p>4. Odniesienie do zastosowanych norm</p> <p>5. Dyrektywa Hałasowa a) Zmierzony poziom mocy akustycznej b) Gwarantowany poziom mocy akustycznej c) Wartość hałasu d) Procedura oceny zgodności e) Jednostka notyfikowana</p> <p>6. Miejsce 7. Data</p>	<p><b>Suomi / Suomen kieli (Finnish)</b> EY-VAATIMUSTENMUKAISUUSVAKUUTUS</p> <p>1. Allekirjoittanut valmistajan edustaja *2 vakuuttaa täten, että alla mainittu kone/tuote täyttää kaikki seuraavia määräyksiä:</p> <p>* Konedirektiivi 2006/42/EY * Direktiivi 2014/30/EU sähkömagneettinen yhteensopivuus * Direktiivi 2000/14/EY – 2005/88/EY ympäristön melu</p> <p>* direktiivi 2011/65/EU - (EU) 2015/863 tiettyjen vaarallisten aineiden käytön rajoittamisesta sähkö- ja elektroniikkalaitteissa</p> <p>2. TUOTTEEN KUVVAUS a) Tuote: Raivaussaha b) Toiminto : pensaiden leikkaus c) Malli d) TYYPPI e) SARJANUMERO</p> <p>3. Valmistaja ja teknisten dokumenttien laatija</p> <p>4. Viittaus sovellettuihin standardeihin</p> <p>5. Ympäristön meludirektiivi a) Mitattu melutaso b) Tönnemukainen melutaso c) Melu parametrit d) Yhdenmukaisuuden arvioinnin menetelmä e) Tiedonantoelin</p> <p>6. TEHTY 7. PÄIVÄMÄÄRÄ</p>
<p><b>Magyar ( Hungarian )</b> EK-megfelelőségi nyilatkozata</p> <p>1. Alulírott *2, mint a gyártó képviselője nyilatkozom, hogy az általunk gyártott gép megfelel az összes, alább felsorolt direktívának:</p> <p>* 2006/42/EK Direktívának berendezésekre * Irányelv 2014/30/EU megfelelnek az elektromágneses * 2000/14/EK – 2005/88/EK Direktívának kültéri zajszintre * Tanács 2011/65/EU - (EU) 2015/863 egyes veszélyes anyagok elektromos és elektronikus berendezésekben való alkalmazásának korlátozásáról</p> <p>2. A gép leírása a) Termék: Bozótvágó b) Funkció : bozót kivágása c) Modell d) Típus e) Sorozatszám</p> <p>3. Gyártó és képes összeállítani a műszaki dokumentációt.</p> <p>4. Referencia az alkalmazott szabványokhoz</p> <p>5. Kültéri zajszint Direktíva a) Mért hangerő b) Szavatolt hangerő c) Zajszint paraméter d) Megfelelőségi becslési eljárás e) Kijelölt szervezet</p> <p>6. Keltezés helye 7. Keltezés ideje</p>	<p><b>Cestina (Czech)</b> ES – Prohlášení o shodě</p> <p>1. Zástupce výrobce, *2 svým podpisem potvrzuje, že stroj popsaný níže splňuje požadavky příslušných opatření:</p> <p>* Směrnice 2006/42/ES pro strojní zařízení * Směrnice 2014/30/EU týkající se elektromagnetické kompatibility * Směrnice 2000/14/ES – 2005/88/ES stanovující technické požadavky na výrobky z hlediska emisí hluku zařízení pro venkovní použití * Rady 2011/65/EU - (EU) 2015/863 o omezení používání některých nebezpečných látek v elektrických a elektronických zařízeních</p> <p>2. Popis zařízení a) Výrobek: Křovinořez b) Funkce : Vysekávání porostu c) Model d) Typ e) Výrobní číslo</p> <p>3. Výrobce a osoba pověřená komplectací technické dokumentace</p> <p>4. Odkaz na platné standardy</p> <p>5. Směrnice pro hluk pro venkovní použití a) Naměřený akustický výkon b) Garantovaný akustický výkon c) Parametr hluku d) Způsob posouzení shody e) Notifikovaná osoba</p> <p>6. Podepsáno v 7. Datum</p>	<p><b>Latviešu (Latvian)</b> EK atbilstības deklarācija</p> <p>1. Zemāk minētais *2, kā ražotāja pārstāvis ar šo apstiprina, ka zemāk aprakstītie mašīna, atbilst visām zemāk norādīto direktīvu sadalām:</p> <p>* Direktīva 2006/42/EK par mašīnām * Direktīva 2014/30/ES par elektromagnētisko sadarbību * Direktīva 2000/14/EK – 2005/88/EK par trokšņa emisiju vidē * Direktīva 2011/65/ES - (ES) 2015/863 par dažu bīstamu vielu izmantošanas ierobežošanu elektriskās un elektroniskās iekārtās</p> <p>2. Iekārtas apraksts a) Produkts: Krūmgriezis b) Funkcija : krūmu griešana c) Modelis d) Tips e) Sērijas numurs</p> <p>3. Ražotājs, kas spēj sastādīt tehnisko dokumentāciju</p> <p>4. Atsauce uz piemērotajiem standartiem</p> <p>5. Ārējo trokšņu Direktīva a) Izmērītā trokšņa līlums b) Pieļaujama trokšņa līlums c) Trokšņa parametri d) Atbilstības vērtējuma procedūra e) Informētā iestāde</p> <p>6. Vieta 7. Datums</p>
<p><b>Slovenčina (Slovak)</b> ES vyhlásenie o zhode</p> <p>1. Dolupodpísaný pán *2 zastupujúci výrobcu týmto vyhlasuje, že uvedený strojev je v zhode s nasledovnými smernicami:</p> <p>* Smernica 2006/42/ES (Strojné zariadenia) * Smernica 2014/30/EÚ na elektromagnetickú kompatibilitu * Smernica 2000/14/ES – 2005/88/ES (Emisie hluku) * Rady 2011/65/EÚ - (EÚ) 2015/863 o obmedzení používania určitých nebezpečných látok v elektrických a elektronických zariadeniach</p> <p>2. Popis stroja a) Produkt: Krovinořez b) Funkcia : Kosenie krovín c) Model d) Typ e) Výrobné číslo</p> <p>3. Výrobca a schopný zostaviť technickú dokumentáciu</p> <p>4. Referencia na použité normy</p> <p>5. Smernica pre emisie hluku vo voľnom priestranstve a) Nameraná hladina akustického výkonu b) Zaručená hladina akustického výkonu c) Rozmer d) Procedúra posudzovania zhody e) Notifikovaná osoba</p> <p>6. Miesto 7. Dátum</p>	<p><b>Eesti (Estonian)</b> EÜ vastavusdeklaratsioon</p> <p>1. Allakirjutanu, *2, kinnitab tootja volitatud esindajana, et allpool kirjeldatud masina vastab kõikidele alljärgnevat direktiivide sätetele:</p> <p>* Masinate direktiiv 2006/42/EÜ * Elektromagnetilise ühilduvuse direktiiv 2014/30/EL * Välistmõõra direktiiv 2000/14/EÜ – 2005/88/EÜ * direktiiv 2011/65/EL - (EL) 2015/863 teatavate ohtlike ainete kasutamise piiramise kohta elektri- ja elektroonikaseadmetes</p> <p>2. Seadmete kirjeldus a) Toode: Võsalõikur b) Funktsioon : võsa lõikamine c) Mudel d) Tüüp e) Seerianumber</p> <p>3. Tootja, kes on pädev täitma tehnilist dokumentatsiooni</p> <p>4. Viide kohaldatud standarditele</p> <p>5. Välistmõõra direktiiv a) Mõõdetud helivõimsuse tase b) Lubatud helivõimsuse tase c) Mõõra parameeter d) Vastavushindamismenetlus e) Teavitatud asutus</p> <p>6. Koht 7. Kuupäev</p>	<p><b>Slovensčina (Slovenian)</b> ES izjava o skladnosti</p> <p>1. Spodaj podpisani, *2, ki predstavljam proizvajalca, izjavljam da spodaj opisana stroj ustreza vsem navedenim direktivam:</p> <p>* Direktiva 2006/42/ES o strojih * Direktiva 2014/30/EU o elektromagnetni združljivosti * Direktiva 2000/14/ES – 2005/88/ES o hrupnosti * Direktiva 2011/65/EU - (EU) 2015/863 o omejevanju uporabe nekaterih nevarnih snovi v električni in elektronski opremi</p> <p>2. Opis naprave a) Proizvod: Motorna kosa b) Funkcija : košenje trave in podrasti c) Model d) Tip e) Serijska številka</p> <p>3. Proizvajalec ki lahko predloži tehnično dokumentacijo</p> <p>4. Sklic na uporabljene standarde</p> <p>5. Direktiva o hrupnosti a) Izmerjena zvočna moč b) Garantirana zvočna moč c) Parameter d) Postopek e) Postopek opravil</p> <p>6. Kraj 7. Datum</p>



<p><b>Lietuvių kalba (Lithuanian)</b>  <b>EB atitikties deklaracija</b>  1. Žemiau pasirašes, p. *2 atstovaujantis gamintoją, deklaruoją, kad žemiau aprašyta mašina atitinka visas išvardintų direktyvų nuostatas:  * Mechanizmų direktyva 2006/42/EB  * Direktyva 2014/30/ES dėl elektromagnetinio suderinamumo  * Triukšmo lauke direktyva 2000/14/EB – 2005/88/EB  * direktyva 2011/65/ES - (ES) 2015/863 dėl tam tikrų pavojingų medžiagų naudojimo elektros ir elektroninėje įrangoje apribojimo  2. Prietaiso aprašymas  a) Gaminy: Krūmaplovė  b) Funkcija : krūmų pjovimas  c) Modelis d) Tipas e) Serijos numeris  3. Gamintojas ir galintis sudaryti techninę dokumentaciją  4. Nuoroda į taikytus standartus  5. Triukšmo lauke direktyva  a) Išmatuotas garso galimumo lygis  b) Garantuojamas garso galimumo lygis  c) Triukšmo parametras  d) Tipas  e) Registruota įstaiga  6. Vieta 7. Data</p>	<p><b>Български (Bulgarian)</b>  <b>ЕО декларация за съответствие</b>  1. Долуподписалият се *2, представляващ производителя, с настоящото декларирам, че машините, описани по-долу, отговарят на всички съответни разпоредби на:  * Директива2006/42/ЕО относно машините  * Директива 2014/30/ЕС за Електромагнитна съвместимост  * Директива 2000/14/ЕО – 2005/88/ЕО относно шумовите емисии на съоръжения, предназначени за употреба извън сградите  * Директива 2011/65/ЕС - (ЕС) 2015/863 година относно ограничението за употребата на определени опасни вещества в електрическото и електронното оборудване  2. Описание на машините  a) Продукт: Машина за рязане на храсти  b) Функция : рязане на храсти  c) Модел d) Тип e) Серийен номер  3. Производител и отговорник за съставяне на техническа документация  4. Препратка към приложените стандарти  5. Директива относно шумовите емисии на съоръжения, предназначени за употреба извън сградите  a) Измерена звукова мощност  b) Гарантирана звукова мощност  c) Параметърът шум  d) Процедурата за оценка на съответствието  e) Нотифициран орган  6. Място на изготвяне 7. Дата на изготвяне</p>	<p><b>Norsk (Norwegian)</b>  <b>EF- Samsvarserklæring</b>  1. Undertegnede, *2 representerer produsenten og herved erklærer at maskineri beskrevet nedenfor innfrir relevant informasjon fra følgende forskrifter.  * Maskindirektivet 2006/42/EF  * Direktiv 2014/30/EU om Elektromagnetisk kompatibilitet  * Direktiv om støy utendørs 2000/14/EF – 2005/88/EF  * Direktiv 2011/65/EU - (EU) 2015/863 om restriksjoner av bruk av visse farlige materialer i elektrisk og elektronisk utstyr.  2. Beskrivelse av produkt  a) Produkt: Ryddesag  b) Funksjon : Kutte kratt/buskas  c) Modell d) Type e) Serienummer  3. Produsent og i stand til å utarbeide den tekniske dokumentasjonen  4. Henvising til brukte standarder  5. Utendørs direktiv får støy  a) Målt støy  b) Maks støy  c) Konstant støy  d) Verdi vurderings prosedyre  e) Gjeldene kjøretøy/kropp/stamme/skrog  6. Sted 7. Dato</p>
<p><b>Türk (Turkish)</b>  <b>AT Uygunluk Beyanı</b>  1. Aşağıda imzası bulunan *2, üreticinin adına, bu yazıyla birlikte aşağıdaki makine ile ilgili tüm hükümlülüklerin yerine getirildiğini beyan etmektedir:  * Makina Emniyet Yönetmeliği 2006/42/AT  * Elektromanyetik uyumlulukla ilgili 2014/30/AB no' lu yönetmelik  * Açık Alanda Kullanılan Teçhizat Tarafından Oluşturulan Çevredeki Gürültü Emisyonu İle İlgili Yönetmelik 2000/14/AT – 2005/88/AT  * 2011/65/AB - (AB) 2015/863 elektrikli ve elektronik ekipmanlarda bazı tehlikeli maddelerin kullanımının yasaklanmasına ilişkin yönetmelik  2. Makinanın tanıtı  a) Ürün: Tırpan  b) İşlevi : Çalıkların kesilmesi  c) Model d) Tipi e) Seri numarası  3. Teknik dosyayı hazırlamakla yetkili olan Toplulukta yerleşik İmalatçı  4. Uygulanan standartlara istinaden  5. Açık alan gürültü Yönetmeliği  a) Ölçülen ses gücü  b) Garanti edilen ses gücü  c) Gürültü parametresi  d) Uygunluk değerlendirme prosedürü  e) Onaylanmış kuruluş  6. Beyanın yeri : 7. Beyanın tarihi :</p>	<p><b>Íslenska(Icelandic)</b>  <b>EB-Samræmisýfirlýsing</b>  1. Undirritaður, Mr *2, fyrir hönd framleiðandans, lýsir hér með yfir því að vélin sem lýst er hér að neðan samræmist öllum gildandi ákvæðum tilskipunar:  *Leiðbeiningar fyrir vélbúnað 2006/42/EB  *TILSKIPUN 2014/30/EU VARDANDI SAMH/EFNI RAFSEGULSVIÐS  *Leiðbeiningar um hávaðamengun 2000/14/EB – 2005/88/EB  * Tilskipun 2011/65/EU - (EU) 2015/863 varðandi leiðbeiningar um notkun á hættulegum efnum í raf og rafeinda búnaði  2. Lýsing á vélbúnaði  a) Ökutæki: Sláttuorf  b) Virkni : Garðklipping  c) Gerð d) Tegund e) Séríal númer  3. Framleiðandi og fær um að taka saman tækniskjöl  4. Tilvísun til viðeigandi staðla  5. Leiðbeiningar um hávaðamengun  a) Mældur hávaða styrkur  b) Staðfestur hávaða styrkur  c) Hávaða breytileiki  d) Staðfesting á gæðastöðlum  e) Merkingar  6. Gert hjá 7. Dagsetning</p>	<p><b>Hrvatski(Croatian)</b>  <b>EK Izjava o sukladnosti</b>  1. Potpisani, *2, u ime proizvođača, ovime izjavljuju da strojevi navedeni u nastavku ispunjavaju sve važeće odredbe:  * Propisa za strojeve 2006/42/EK  * Propisa 2014/30/EU na elektromagnetsku kompatibilnost  * Propisa o buci na otvorenome 2000/14/EK – 2005/88/EK  * Direktiva 2011/65/EU - (EU) 2015/863 o ograničenju odredenih opasnih supstanci u električnoj i elektronskoj opremi.  2. Opis strojeva  a) Proizvod: Motorna kosa  b) Funkcionalnost : rezanje grmlja  c) Model d) Tip e) Serijski broj  3. Proizvođač i osoba za sastavljanje tehničke dokumentacije  4. Referencija na primijenjene standarde  5. Propis o buci na otvorenome  a) Izmjerena jačina zvuka  b) Zajamčena jačina zvuka  c) Parametar buke  d) Postupak za ocjenu sukladnosti  e) Obaviješteno tijelo  6. U 7. Datum</p>



**HONDA**