

OWNER'S MANUAL
(Original instructions)
GSV160 • GSV190



(Appearance may differ in final application)

ENGLISH

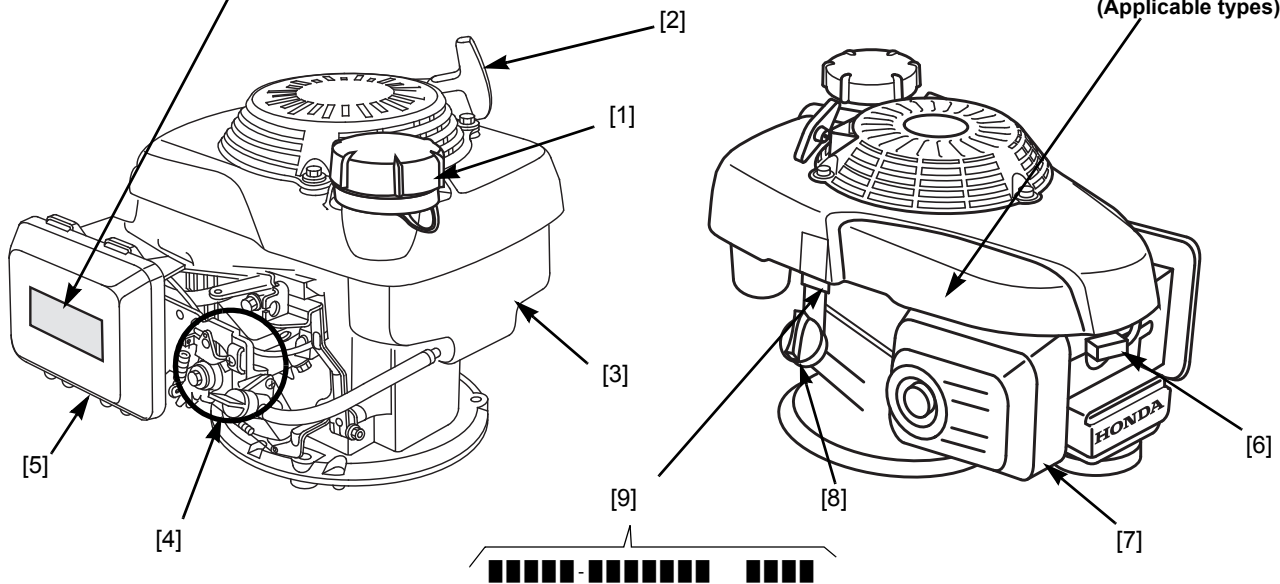
FRANÇAIS

ESPAÑOL

DEUTSCH

ITALIANO

NEDERLANDS







COMPONENT LOCATION

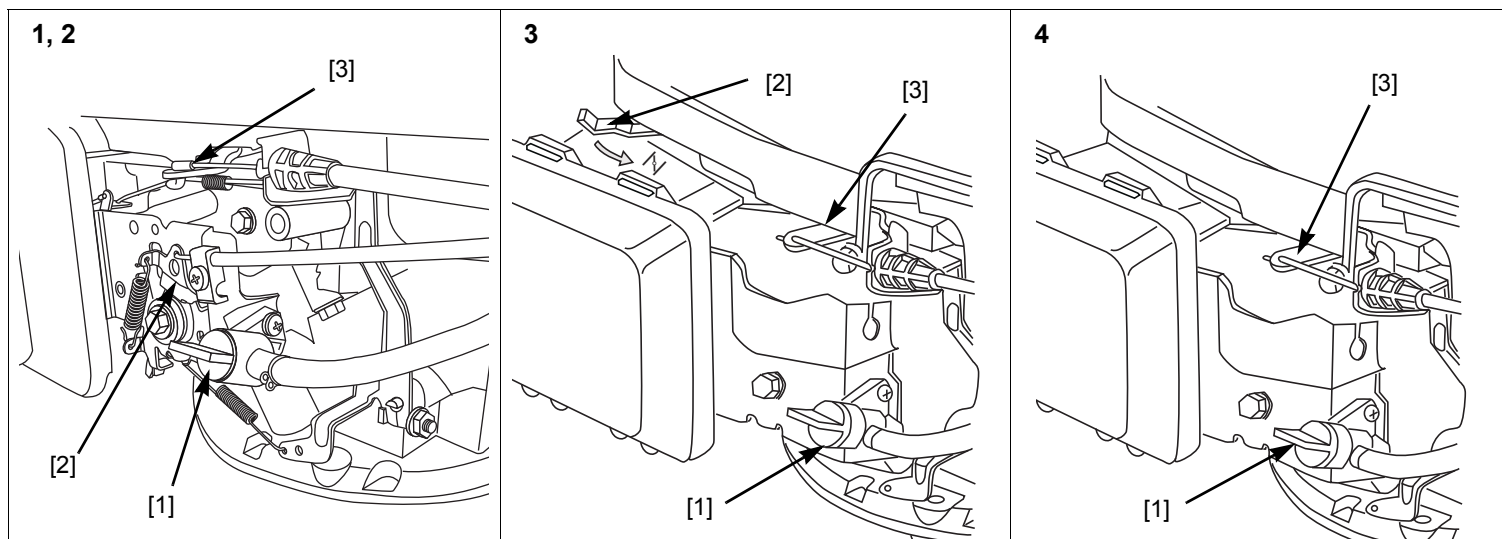
1	Fuel filler cap
2	Starter grip
3	Fuel tank
4	Control location *
5	Air cleaner

6	Spark plug
7	Muffler
8	Oil filler cap dipstick
9	Engine serial number

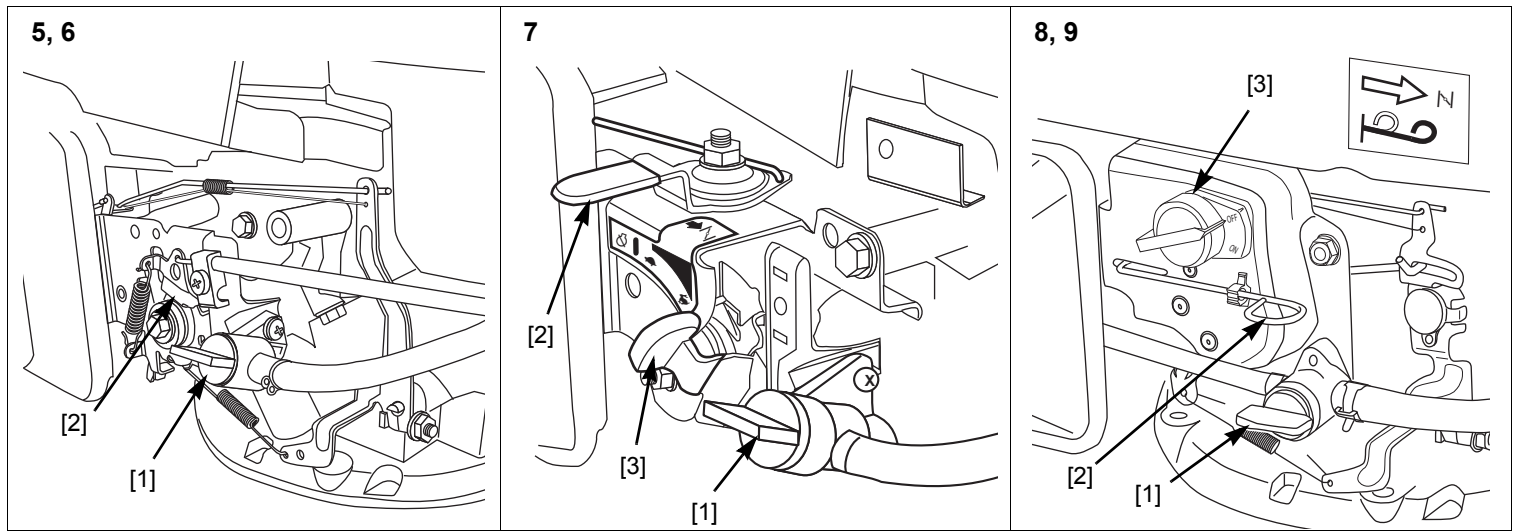
* The engine control area differs based on the engine type. Refer to the individual figures on pages 2 and 3 to determine your engine control type when reading the *Operation* section and other sections in this manual.



	<p>Read the owner's manual before operation. Lire le manuel de l'utilisateur avant l'utilisation. Lea el manual del propietario antes de la operación. Vor Inbetriebnahme die Bedienungsanleitung lesen. Leggere il manuale d'uso prima di usarlo. Lees het instructieboekje voordat u de motor gebruikt.</p>
	<p>The engine emits toxic carbon monoxide. Do not run in an enclosed area. Le moteur dégage du monoxyde de carbone qui est un gaz toxique. Ne jamais le faire fonctionner dans un endroit clos. El motor emite gas monóxido de carbono que es tóxico y venenoso. No lo tenga en marcha en un lugar cerrado. Im Abgas des Motors ist giftiges Kohlenmonoxid enthalten. Nicht in einem geschlossenen Bereich laufen lassen. Il motore rilascia monossido di carbonio che è un gas tossico velenoso. Non azionare in un luogo chiuso. De uitlaatgassen van de motor bevatten giftig koolmonoxidegas. Laat de motor niet draaien in een omsloten ruimte.</p>
	<p>Petrol is highly flammable and explosive. Turn engine off and let cool before refueling. L'essence est très inflammable et explosive. Avant de faire le plein de carburant, arrêter le moteur et le laisser se refroidir. La gasolina es muy inflamable y explosiva. Pare el motor y espere a que se enfríe antes de repostar. Benzin ist äußerst feuergefährlich und explosiv. Vor dem Tanken den Motor abstellen und abkühlen lassen. La benzina è estremamente infiammabile ed esplosiva. Spegner e lasciare raffreddare prima di effettuare il rifornimento. Benzine is uiterst brandbaar en explosief. Zet de motor uit en laat deze afkoelen voordat u brandstof bijvult.</p>
	<p>Hot muffler can burn you. Stay away if engine has been running. Un silencieux chaud peut brûler. Ne pas s'en approcher lorsque le moteur vient de tourner. El silenciador caliente puede causarle quemaduras. No se acerque si el motor ha estado en marcha. An einem heißen Auspuff kann man sich verbrennen. Wenn der Motor in Betrieb war, ist Berührung zu vermeiden. La marmitta calda può provocare ustioni. Non avvicinarsi se il motore è stato in funzione. Een hete uitlaatdemper kan brandwonden veroorzaken. Blijf uit de buurt als de motor heeft gelopen.</p>

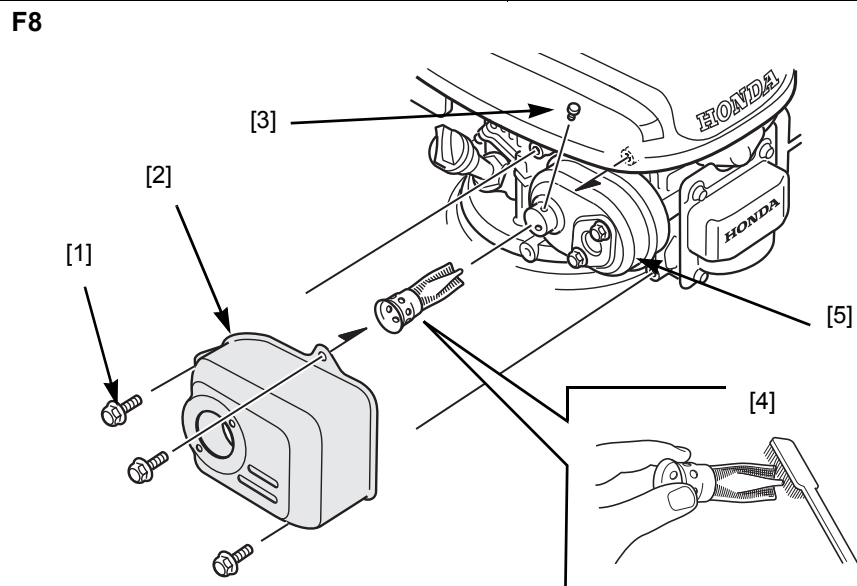
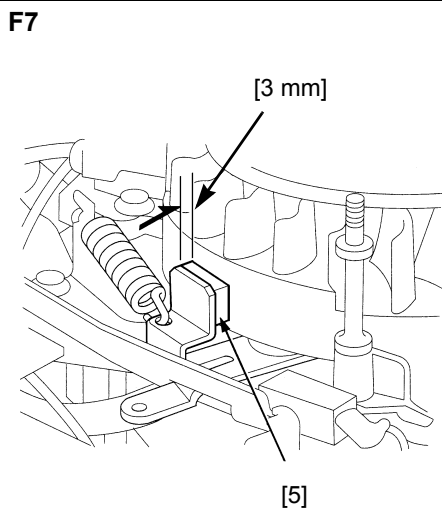
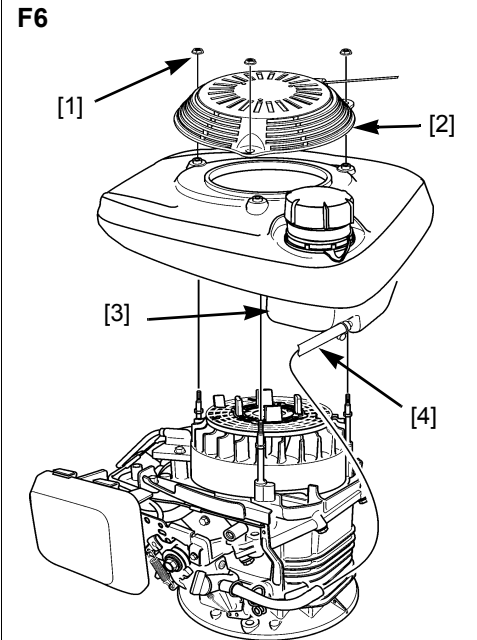
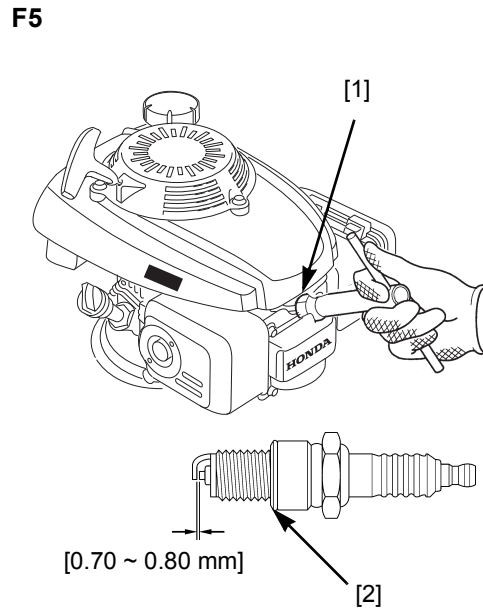
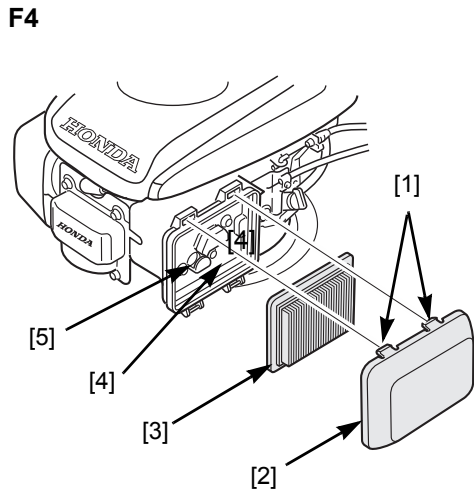
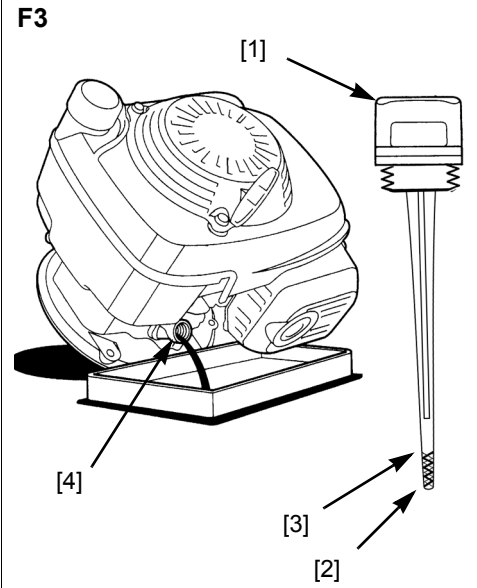
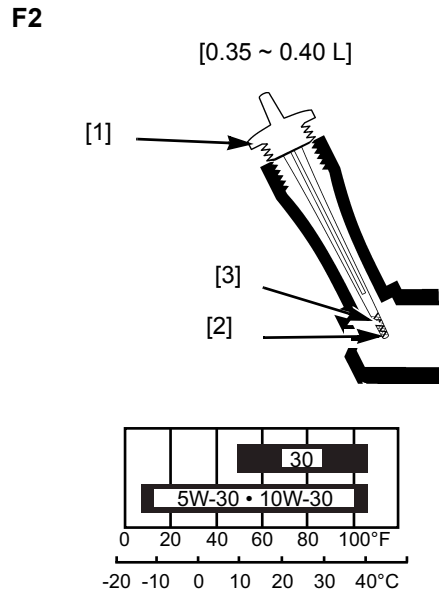
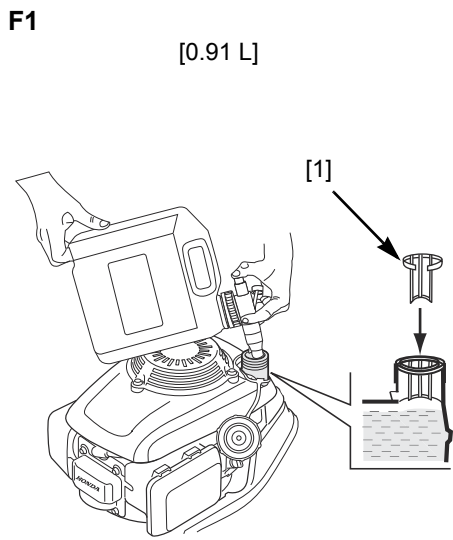


EN Type 1,2	[1] Fuel Valve [2] Remote Choke/Throttle [3] Flywheel Brake	EN Type 3	[1] Fuel Valve [2] Automatic Return Choke [3] Flywheel Brake, Fixed Throttle	EN Type 4	[1] Fuel Valve [2] Flywheel Brake Automatic Choke, Fixed Throttle
FR Type 1,2	[1] Robinet d'essence [2] Levier de Starter/Papillon [3] Frein de Volant	FR Type 3	[1] Robinet d'essence [2] Starter À Retour Automatique [3] Frein de Volant, Carburateur Préréglé	FR Type 4	[1] Robinet d'essence [2] Frein de Volant Starter Automatique, Carburateur Préréglé
ES Tipo 1,2	[1] Valvula de combustible [2] Cebador/Aceleración Remota [3] Freno del Volante	ES Tipo 3	[1] Valvula de combustible [2] Retorno Automático Del Cebador [3] Freno del Volante, Aceleración Fija	ES Tipo 4	[1] Valvula de combustible [2] Freno del Volante Automático Cebador, Aceleración Fija
DE Typ 1,2	[1] Kraftstoffventil [2] Fernbedienungs- Choke/gasregelung [3] Schwungradbremse	DE Typ 3	[1] Kraftstoffventil [2] Automatischer Rückkehr Choke [3] Schwungradbremse, Feste Gas	DE Typ 4	[1] Kraftstoffventil [2] Schwungradbremse Automatischer Choke, Feste Gas
IT Tipo 1,2	[1] Valvola Del Carburante [2] Starter/Farfalla Remota [3] Freno Su Volano	IT Tipo 3	[1] Valvola Del Carburante [2] Richiamo Automatico Della Valvola Dell'aria [3] Freno Su Volano, Farfalla Fissa	IT Tipo 4	[1] Valvola Del Carburante [2] Freno Su Volano Farfalla Fissa, Starter Automatico
NL Type 1,2	[1] Brandstofklep [2] Choke/Gasklep op Afstand [3] Vliegwiel Rem	NL Type 3	[1] Brandstofklep [2] Automatische Choke Retour [3] Vliegwiel Rem, Vaste Gasklep	NL Type 4	[1] Brandstofklep [2] Vliegwiel Rem Automatisch Choke, Vaste Gasklep



EN Type 5,6	[1] Fuel Valve [2] Remote Choke/Throttle, Blade Brake Clutch	EN Type 7	[1] Fuel Valve [2] Manual Choke [3] Manual Throttle	EN Type 8,9	[1] Fuel Valve [2] Manual Choke [3] Stop Switch Fixed (Auto) Throttle
FR Type 5,6	[1] Robinet d'essence [2] Levier de Starter/Papillon, Frein-embayage À Aubes	FR Type 7	[1] Robinet d'essence [2] Starter Manuel [3] Papillon Manuel	FR Type 8,9	[1] Robinet d'essence [2] Starter Manuel [3] Bouton d'Arret du Moteur Carburateur Préreglé (Auto)
ES Tipo 5,6	[1] Valvula de combustible [2] Cebador/Aceleración Remota, Freno de Cuchillas	ES Tipo 7	[1] Valvula de combustible [2] Cebador Manual [3] Aceleración Manual	ES Tipo 8,9	[1] Valvula de combustible [2] Cebador Manual [3] Interruptor de Para del Motor Aceleración Fija (Auto)
DE Typ 5,6	[1] Kraftstoffventil [2] Fernbediente Choke/Asregelung, Messerbremskupplung	DE Typ 7	[1] Kraftstoffventil [2] Manueller Choke [3] Manueller Gasregelung	DE Typ 8,9	[1] Kraftstoffventil [2] Manueller Choke [3] Motorabstellschalter Feste (Auto) Gas
IT Tipo 5,6	[1] Valvola Del Carburante [2] Starter/Farfalla Remota, Frizione Freno Su Lama	IT Tipo 7	[1] Valvola Del Carburante [2] Valvola Dell'Aria Manuale [3] Farfalla Manuale	IT Tipo 8,9	[1] Valvola Del Carburante [2] Valvola Dell'Aria Manuale [3] Interruttore Di Arresto Del Motore Farfalla Fissa (Automatico)
NL Type 5,6	[1] Brandstofklep [2] Choke/Gasklep op Afstand, Schoepremkoppeling	NL Type 7	[1] Brandstofklep [2] Handmatige Choke [3] Handmatige Gasklep	NL Type 8,9	[1] Brandstofklep [2] Handmatige Choke [3] Motorstopschakelaar Vaste (Automatisch) Gasklep

<p>[1] Fuel valve Robinet d'essence Valvula de combustible Kraftstoffventil Valvola Del Carburante Brandstofklep</p>	<p>ON OUVERT ABIERTA AUF ACCESO AAN</p>			<p>OFF FERMÉ CERRADA STOP SPENTO UIT</p>
--	---	--	--	--



INTRODUCTION

Thank you for purchasing a Honda engine. We want to help you get the best results from your new engine and operate it safely. This manual contains information on how to do that; please read it carefully before operating the engine. If a problem should arise, or if you have any questions about your engine, consult an authorized Honda servicing dealer.

All information in this publication is based on the latest product information available at the time of printing. American Honda Motor Co., Inc. reserves the right to make changes at any time without notice and without incurring any obligation. No part of this publication may be reproduced without written permission.

This manual should be considered a permanent part of the engine and should remain with the engine if resold.


Review the instructions provided with the equipment powered by this engine for any additional information regarding engine startup, shutdown, operation, adjustments, or any special maintenance instructions.

CONTENTS

SAFETY MESSAGES	Page 5
BEFORE OPERATION CHECKS	Page 5
OPERATION	Page 6
SAFE OPERATING PRECAUTIONS	Page 6
FREQUENCY OF USE	Page 6
STARTING/STOPPING THE ENGINE (ALL TYPES)	Page 6
SERVICING YOUR ENGINE	Page 7
MAINTENANCE SAFETY	Page 7
SAFETY PRECAUTIONS	Page 7
MAINTENANCE SCHEDULE	Page 8
REFUELING	Page 8
ENGINE OIL	Page 8
AIR CLEANER	Page 9
SPARK PLUG	Page 9
FLYWHEEL BRAKE INSPECTION (if equipped)	Page 9
SPARK ARRESTER (if equipped)	Page 10
STORING YOUR ENGINE	Page 10
TRANSPORTING	Page 11
TAKING CARE OF UNEXPECTED PROBLEMS	Page 11
TECHNICAL INFORMATION	Page 11
CONSUMER INFORMATION	Page 12

SAFETY MESSAGES

Your safety and the safety of others are very important. We have provided important safety messages in this manual and on the engine. Please read these messages carefully.

A safety message alerts you to potential hazards that could hurt you or others. Each safety message is preceded by a safety alert symbol  and one of three words, DANGER, WARNING, or CAUTION.

These signal words mean:

DANGER

You WILL be KILLED or SERIOUSLY HURT if you don't follow instructions.

WARNING

You CAN be KILLED or SERIOUSLY HURT if you don't follow instructions.

CAUTION

You CAN be HURT if you don't follow instructions.

Each message tells you what the hazard is, what can happen, and what you can do to avoid or reduce injury.

DAMAGE PREVENTION MESSAGES

You will also see other important messages that are preceded by the word NOTICE.

This word means:

NOTICE

Your engine or other property can be damaged if you don't follow instructions.

The purpose of these messages is to help prevent damage to your engine, other property, or the environment.

SAFETY INFORMATION

- Understand the operation of all controls and learn how to stop the engine quickly in case of emergency. Make sure the operator receives adequate instruction before operating the equipment.
- Do not allow children to operate the engine. Keep children and pets away from the area of operation.
- Your engine's exhaust contains poisonous carbon monoxide. Do not run the engine without adequate ventilation, and never run the engine indoors.
- The engine and exhaust become very hot during operation. Keep the engine at least 1 meter away from buildings and other equipment during operation. Keep flammable materials away, and do not place anything on the engine while it is running.

SAFETY LABEL LOCATION

The label shown on page 1 contains important safety information. Please read it carefully. See page 1.

This label is considered a permanent part of your engine. So if the label comes off or becomes hard to read, contact your dealer for a replacement.

BEFORE OPERATION CHECKS

IS YOUR ENGINE READY TO GO?

For your safety, and to maximize the service life of your equipment, it is very important to take a few moments before you operate the engine to check its condition. Be sure to take care of any problem you find, or have your servicing dealer correct it, before you operate the engine.

WARNING

Improperly maintaining this engine, or failing to correct a problem before operation, could cause a malfunction in which you could be seriously injured.

Always perform a pre-operation inspection before each operation, and correct any problem.

Before beginning your preoperation checks, be sure the engine is level and the flywheel brake lever, throttle lever, or engine stop switch is in the STOP or OFF position.

Always check the following items before you start the engine:

1. Fuel level (see page 8).
2. Oil level (see page 9).
3. Air cleaner (see page 9).
4. General inspection: Check for fluid leaks and loose or damaged parts.
5. Check the equipment powered by this engine.

Review the instructions provided with the equipment powered by this engine for any precautions and procedures that should be followed before engine startup.

OPERATION

SAFE OPERATING PRECAUTIONS

Before operating the engine for the first time, please review the *SAFETY MESSAGES* and the *BEFORE OPERATION CHECKS* page 5.

For your safety, do not operate the engine in an enclosed area such as a garage. Your engine's exhaust contains poisonous carbon monoxide gas that can collect rapidly in an enclosed area and cause illness or death.

WARNING

Exhaust contains poisonous carbon monoxide gas that can build up to dangerous levels in closed areas. Breathing carbon monoxide can cause unconsciousness or death.
Never run the engine in a closed or even partially closed area where people may be present.

Review the instructions provided with the equipment powered by this engine for any safety precautions that should be observed with engine startup, shutdown, or operation.

Do not operate the engine on slopes greater than 20°.

FREQUENCY OF USE

If your equipment will be used on an infrequent or intermittent basis (more than 4 weeks between usage), refer to the *Fuel* section of the *STORAGE* chapter (page 10) for additional information regarding fuel deterioration.

STARTING/STOPPING THE ENGINE (ALL TYPES)

See the figures on pages 2 and 3 to identify the type of control used on your equipment. Type specific starting and stopping information can be found after the general information shown below.

- **Fuel valve ON:** Turn the fuel valve [1] to the ON position before starting the engine.
- **Manual choke** (if equipped): Place the choke lever/rod [2] in the CHOKE position when starting a cold engine.
Move the choke lever/rod to the OFF position as soon as the engine fully warms up and runs smoothly without use of the choke, or for restarting a warm engine.
- **Engine speed:** For best engine performance, it is recommended the engine be operated with the throttle in the FAST (or high) position.
- **Starter grip:** Pull the starter grip lightly until resistance is felt, and then pull briskly.

NOTICE

Do not allow the starter grip to snap back against the engine. Return it gently to prevent damage to the starter.

- **Restarting:** To ensure easy restarting and maximum performance from the Auto Choke System™ types, allow the engine to run for at least three minutes after starting a cold engine before stopping the engine. This minimum run time will be longer if the temperature is below 21°C.
- **Fuel valve OFF:** After stopping the engine, turn the fuel valve [1] to the OFF position.
If your equipment will not be used for 3 to 4 weeks, we recommend running the engine's carburetor out of fuel. You can do this by leaving the fuel valve OFF, restarting the engine, and running it out of fuel.

Type 1: Flywheel Brake, Remote Choke/Throttle

STARTING THE ENGINE

1. Move the choke/throttle lever* [2] to the CHOKE position.
2. Move the flywheel brake lever* [3] to the RUN position.
3. Pull the starter grip lightly until resistance is felt; then pull briskly.
4. Move the choke/throttle lever* [2] to the FAST position.

STOPPING THE ENGINE

1. Move the choke/throttle lever* [2] to the SLOW position.
2. Release the flywheel brake lever* [3] to stop the engine.

Type 2: Flywheel Brake, Remote Throttle, Automatic Choke

STARTING THE ENGINE

1. Move the remote throttle lever* [2] to the FAST position.
2. Move the flywheel brake lever* [3] to the RUN position.
3. Pull the starter grip lightly until resistance is felt; then pull briskly.

STOPPING THE ENGINE

1. Move the remote throttle lever* [2] to the SLOW position.
2. Release the flywheel brake lever* [3] to stop the engine.

Type 3: Flywheel Brake, Fixed Throttle, Automatic Return Choke

STARTING THE ENGINE

1. Move the automatic return choke [2] to the CHOKE position.
2. Move the flywheel brake lever* [3] to the RUN position.
The choke lever automatically begins moving to the OFF position when the flywheel brake lever is moved to the RUN position.
3. Pull the starter grip lightly until resistance is felt; then pull briskly.
The throttle is preset on this type.

STOPPING THE ENGINE

Release the flywheel brake lever* [3] to stop the engine.

Type 4: Flywheel Brake, Automatic Choke, Fixed Throttle

STARTING THE ENGINE

1. Move the flywheel brake lever* [3] to the RUN position.
2. Pull the starter grip lightly until resistance is felt; then pull briskly.

STOPPING THE ENGINE

Release the flywheel brake lever* [3] to stop the engine.

Type 5: Blade Brake Clutch, Remote Choke/Throttle

STARTING THE ENGINE

1. Move the choke/throttle lever* [2] to the CHOKE position.
2. Make sure the blade control lever* is disengaged.
3. Pull the starter grip lightly until resistance is felt; then pull briskly.
4. Move the choke/throttle* [2] to the FAST position as the engine warms, and then engage the blade control lever*.

STOPPING THE ENGINE

1. Disengage the blade control lever*.
2. Move the choke/throttle lever* [2] to the SLOW position, and then the STOP position.

* See the equipment manual for control location.

Type 6: Blade Brake Clutch, Automatic Choke, Remote Throttle

STARTING THE ENGINE




1. Move the remote throttle lever* [2] to the FAST position.
2. Make sure the blade control lever* is disengaged.
3. Pull the starter grip lightly until resistance is felt; then pull briskly.
4. Allow the engine to warm to operating temperature, and then engage the blade control lever*.

STOPPING THE ENGINE

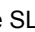

1. Disengage the blade control lever*.
2. Move the remote throttle lever* [2] to the SLOW position, and then to the STOP position.

Type 7: Manual Choke, Manual Throttle

STARTING THE ENGINE

1. Move the choke lever [2] to the CHOKE  position.
2. Move the throttle control [3] to the FAST  position.
3. Pull the starter grip lightly until resistance is felt; then pull briskly.
4. Move the choke lever [2] to the OFF  position as the engine warms.

STOPPING THE ENGINE

Move the throttle control [3] to the SLOW  position, and then to the STOP  position.

Type 8: Manual Choke, Engine Stop Switch, Fixed Throttle

STARTING THE ENGINE

1. Pull the choke rod [2] to the CHOKE position.
2. Turn the engine stop switch [3] to the ON position.
3. Pull the starter grip lightly until resistance is felt; then pull briskly.
4. Move the choke rod to the OFF position as the engine warms.

The engine speed is preset on this type.

STOPPING THE ENGINE

Turn the engine stop switch [3] to the OFF position.

Type 9: Manual Choke, Engine Stop Switch, Auto Throttle

STARTING THE ENGINE

1. Pull the choke rod [2] to the CHOKE position.
2. Turn the engine stop switch [3] to the ON position.
3. Pull the starter grip lightly until resistance is felt; then pull briskly.
4. Move the choke rod [2] to the OFF position as the engine warms.

The auto throttle feature only functions when the engine is fully warm.

STOPPING THE ENGINE

1. Remove the load from the engine so that the auto throttle returns the engine to idle.
2. Turn the engine stop switch [3] to the OFF position.

* See the equipment manual for control location.

SERVICING YOUR ENGINE

THE IMPORTANCE OF MAINTENANCE

Good maintenance is essential for safe, economical, and trouble-free operation. It will also help reduce pollution.

WARNING

Improper maintenance, or failure to correct a problem before operation, can cause a malfunction in which you can be seriously hurt or killed.

Always follow the inspection and maintenance recommendations and schedules in this Owner's Manual.

To help you properly care for your engine, the following pages include a maintenance schedule, routine inspection procedures, and simple maintenance procedures using basic hand tools. Other service tasks that are more difficult, or require special tools, are best handled by professionals and are normally performed by a Honda technician or other qualified mechanic.

The maintenance schedule applies to normal operating conditions. If you operate your engine under severe conditions, such as sustained high-load or high-temperature operation, or use in unusually wet or dusty conditions, consult your servicing dealer for recommendations applicable to your individual needs and use.

Remember that an authorized Honda servicing dealer knows your engine best and is fully equipped to maintain and repair it.

To ensure the best quality and reliability, use only new Honda Genuine parts or their equivalents for repair and replacement.

MAINTENANCE SAFETY

Some of the most important safety precautions follow. However, we cannot warn you of every conceivable hazard that can arise in performing maintenance. Only you can decide whether or not you should perform a given task.

WARNING

Failure to properly follow maintenance instructions and precautions can cause you to be seriously hurt or killed.

Always follow the procedures and precautions in this Owner's Manual.

SAFETY PRECAUTIONS

- Make sure the engine is off before you begin any maintenance or repairs. This will eliminate several potential hazards:
 - **Carbon monoxide poisoning from engine exhaust.**
Be sure there is adequate ventilation whenever you operate the engine.
 - **Burns from hot parts.**
Let the engine and exhaust system cool before touching.
 - **Injury from moving parts.**
Do not run the engine unless instructed to do so.
- Read the instructions before you begin, and make sure you have the tools and skills required.
- To reduce the possibility of fire or explosion, be careful when working around petrol. Use only a nonflammable solvent, not petrol, to clean parts. Keep cigarettes, sparks, and flames away from all fuel related parts.

MAINTENANCE SCHEDULE

Perform at every indicated month/year or operating hour interval, whichever comes first. ⁽¹⁾

Regular Service Period	Item	Page
Before each use	Check: Engine oil level Check: Air filter	page 9 page 9
First month or 5 hours	Change: Engine oil	page 9
Every 3 months or 25 hours	Clean: Air filter ⁽²⁾	page 9
Every 6 months or 50 hours	Change: Engine oil ⁽³⁾ Clean: Air filter ⁽²⁾ Check: Flywheel brake pad (if equipped)	page 9 page 9 page 9
Every year or 100 hours	6 month items above plus: Check-adjust: Spark plug Clean: Spark arrester (if equipped) ⁽⁶⁾ Check: Blade brake clutch (if equipped) Check-adjust: Idle speed Clean: Fuel tank and filter Check-adjust: Valve clearance	page 9 page 10 (5) (4) (4) (4)
Every 2 years or 200 hours	Yearly items above plus: Replace: Air filter Replace: Spark plug	page 9 page 9
Every 2 years	Check: Fuel lines (replace if necessary)	(4)

(1) For commercial use, log hours of operation to determine proper maintenance intervals.

(2) Service more frequently when used in dusty areas.

(3) Change engine oil every 25 hours when used under heavy load or in high ambient temperatures.

(4) These items should be serviced by an authorized Honda servicing dealer, unless you have the proper tools and are mechanically proficient. Refer to the Honda shop manual for service procedures.

(5) See your equipment manual or Honda engine shop manual.

(6) In Europe and other countries where machinery directive 2006/42/EC is enforced, this cleaning should be done by your servicing dealer.

Failure to follow this maintenance schedule could result in non-warrantable failures.

REFUELING

This engine is certified to operate on unleaded petrol with a research octane rating of 91 or higher.

We recommend refueling after each use to minimize the air present in the fuel tank.

Refuel in a well-ventilated area with the engine stopped. If the engine has been running, allow it to cool first. Never refuel the engine inside a building where petrol fumes may reach flames or sparks.

You may use regular unleaded petrol containing no more than 10% ethanol (E10) or 5% methanol by volume. In addition, methanol must contain cosolvents and corrosion inhibitors. Use of fuels with content of ethanol or methanol greater than shown above may cause starting

and/or performance problems. It may also damage metal, rubber, and plastic parts of the fuel system. In addition, ethanol is hygroscopic, which means it attracts and retains water in the fuel system.

Engine damage or performance problems that result from using a fuel with percentages of ethanol or methanol greater than shown above are not covered by warranty.

If your equipment will be used on an infrequent or intermittent basis (more than 4 weeks between usage), refer to the *Fuel* section of the STORAGE chapter (page 10) for additional information regarding fuel deterioration.

Never use stale or contaminated petrol or oil/petrol mixture. Avoid getting dirt or water in the fuel tank.

⚠ WARNING

Petrol is highly flammable and explosive, and you can be burned or seriously injured when refueling.

- Stop engine and keep heat, sparks, and flame away.
- Refuel only outdoors.
- Wipe up spills immediately.

Adding Fuel

See F1 on page 4.

1. Remove the fuel tank cap.
2. Add fuel to the bottom of the red fuel level gauge [1] in the neck of the fuel tank. Do not overfill. Wipe up spilled fuel before starting the engine.
3. Install the fuel tank cap and tighten it securely.
Move at least 10 feet (3 meters) away from the fueling source and site before starting the engine.

NOTICE

Fuel can damage paint and some types of plastic. Be careful not to spill fuel when filling your fuel tank. Damage caused by spilled fuel is not covered under your DISTRIBUTOR'S LIMITED WARRANTY.

Fuel Storage Container

Store your petrol in a clean, plastic, sealed container designed for fuel storage. Close the vent (if equipped) when not in use, and store the container away from direct sunlight. If it takes more than 3 months to use the fuel in the container, we suggest adding a fuel stabilizer to the fuel when you fill the container. If you have some fuel left in the storage container at the end of the season, the U.S. Environmental Protection Agency (EPA) suggests adding the petrol to your vehicle's gas tank.

ENGINE OIL

Oil is a major factor affecting performance and service life. Use 4-stroke automotive detergent oil. Always change the oil in accordance with the maintenance schedule.

Recommended Oil

See F2 on page 4.

Use 4-stroke motor oil that meets or exceeds the requirements for API service category SJ or later. Always check the API service label on the oil container to be sure it includes the letters SJ or later.

SAE 10W-30 is recommended for general use. Other viscosities shown in the chart may be used when the average temperature in your area is within the indicated range.

Oil Level Check

See F2, F3 on page 4.

1. Check the oil with the engine stopped and level.
2. Remove the oil filler cap/dipstick [1] and wipe it clean.
3. Insert the oil filler cap/dipstick into the oil filler neck as shown, but do not screw it in, and then remove it to check the oil level.
4. If the oil level is near or below the lower limit mark [2] on the dipstick, remove the oil filler cap/dipstick, and fill with the recommended oil to the upper limit mark [3]. Do not overfill.
5. Reinstall the oil filler cap/dipstick.

Oil Change

See F3 on page 4.

Drain the engine oil when the engine is warm. Warm oil drains quickly and completely.

1. Turn the fuel valve to the OFF position to reduce the possibility of fuel leakage.
2. Place a suitable container next to the engine to catch the used oil.
3. Remove the oil filler cap/dipstick [1] and drain the oil into the container by tipping the engine toward the oil filler neck [4].

Please dispose of used motor oil in a manner that is compatible with the environment. We suggest you take used oil in a sealed container to your local recycling center or service station for reclamation. Do not throw it in the trash, pour it on the ground, or pour it down a drain.

4. With the engine in a level position, fill to the upper limit mark [3] on the dipstick with the recommended oil.

NOTICE

Running the engine with a low oil level can cause engine damage.

5. Reinstall the oil filler cap dipstick securely.

AIR CLEANER

A properly maintained air filter will help prevent dirt from entering your engine. Dirt entering the carburetor can be drawn into small passages in the carburetor and cause premature engine wear. These small passages can become blocked, causing starting or running problems. You will need to clean the filter more frequently if you operate the engine in very dusty areas.

We recommend the use of a Honda Genuine air filter to ensure it seals and performs as designed. Using a non-Honda air filter can result in dirt bypassing the filter, causing damage to the engine or fuel system.

NOTICE

Operating the engine without a filter, or with damaged filter, will allow dirt to enter the engine, causing rapid engine wear. This type of damage is not covered under your Distributor's Limited Warranty.

Inspection

See F4 on page 4.

1. Press the latch tabs [1] on the top of the air cleaner cover [2], and remove the cover. Check the filter [3] to be sure it is clean and in good condition.
2. Reinstall the filter and air cleaner cover.

Cleaning

See F4 on page 4.

1. Tap the filter several times on a hard surface to remove dirt, or blow compressed air not exceeding 207 kPa through the filter from the clean side that faces the engine. Never try to brush off dirt. Brushing will force dirt into the fibers.
2. Wipe dirt from the air cleaner body [4] and cover using a moist rag. Be careful to prevent dirt from entering the air duct [5] that leads to the carburetor.

SPARK PLUG

See F5 on page 4.

Required Spark Plug:

NGK - BPR6ES	Pressure washer applications
NGK - BPR5ES	All other applications

The required spark plug is the correct heat range for normal engine operating temperatures.

NOTICE

Incorrect spark plugs can cause engine damage.

For good performance, the spark plug must be properly gapped and free of deposits.

1. Disconnect the cap from the spark plug, and remove any dirt from the spark plug area.
2. Use the proper size spark plug wrench [1] to remove the spark plug.
3. Inspect the spark plug. Replace it if damaged, badly fouled, if the sealing washer [2] is in poor condition, or if the electrode is worn.
4. Measure the electrode gap with a suitable gauge. The correct gap is 0.70 ~ 0.80 mm. If adjustment is needed, correct the gap by carefully bending the side electrode.
5. Install the spark plug carefully, by hand, to avoid cross-threading.
6. After the spark plug is seated, tighten with the proper size spark plug wrench to compress the washer.

When installing a new spark plug, tighten 1/2 turn after the spark plug seats to compress the washer.

When reinstalling the original spark plug, tighten 1/8 ~ 1/4 turn after the spark plug seats to compress the washer.

NOTICE

Properly tighten the spark plug. A loose spark plug can become very hot and can damage the engine. Overtightening the spark plug can damage the threads in the cylinder head.

7. Attach the spark plug cap to the spark plug.

FLYWHEEL BRAKE INSPECTION (if equipped)

See F6, F7 on page 4.

1. Remove the three flange nuts [1] from the recoil starter [2], and remove the recoil starter from the engine.
2. Remove the fuel tank [3] from the engine without disconnecting the fuel tube [4]. If the fuel tank contains fuel, keep it level as you remove it and set it beside the engine in a level position.
3. Check the brake shoe [5] thickness. If it is less than 3 mm, take the engine to your authorized Honda servicing dealer.
4. Install the fuel tank and recoil starter, and tighten the three nuts securely.

SPARK ARRESTER (if equipped)

See F8 on page 4.

In Europe and other countries where machinery directive 2006/42/EC is enforced, this cleaning should be done by your servicing dealer.

The spark arrester must be serviced every 100 hours to keep it functioning as designed.

If the engine has been running, the muffler will be hot. Allow it to cool before servicing the spark arrester.

Removal

1. Remove the three 6 mm bolts [1] from the muffler protector [2], and remove the muffler protector.
2. Remove the special screw [3] from the spark arrester [4], and remove the spark arrester from the muffler [5].

Cleaning & Inspection

1. Use a brush to remove carbon deposits from the spark arrester screen. Be careful not to damage the screen. Replace the spark arrester if it has breaks or holes.
2. Install the spark arrester in the reverse order of removal.

STORING YOUR ENGINE

Proper storage preparation is essential for keeping your engine trouble-free and looking good. The following steps will help to keep rust and corrosion from impairing your engine's function and appearance, and will make the engine easier to start when you use it again.

Cleaning

If the engine has been running, allow it to cool for at least half an hour before cleaning. Clean all exterior surfaces, touch up any damaged paint, and coat other areas that may rust with a light film of oil.

NOTICE

Using a garden hose or pressure washing equipment can force water into the air cleaner or muffler opening. Water in the air cleaner will soak the air filter, and water that passes through the air filter or muffler can enter the cylinder, causing damage.

Fuel

NOTICE

Depending on the region where you operate your equipment, fuel formulations may deteriorate and oxidize rapidly. Fuel deterioration and oxidation can occur in as little as 30 days and may cause damage to the carburetor and/or fuel system. Please check with your servicing dealer for local storage recommendations.

The length of time that petrol can be left in your fuel tank and carburetor without causing functional problems will vary with such factors as petrol blend, your storage temperatures, and whether the fuel tank is partially or completely filled. The air in a partially filled fuel tank promotes fuel deterioration. Very warm storage temperatures accelerate fuel deterioration. Fuel problems may occur within a month of inactivity, or even less if the petrol was not fresh when you filled the fuel tank.

Petrol will oxidize and deteriorate in storage. Deteriorated petrol will cause hard starting, and it leaves gum deposits that can clog the small passages in the fuel system. If the petrol in your engine deteriorates during storage, you may need to have the carburetor and other fuel system components serviced or replaced.

If you keep a container of petrol for refueling, be sure that it contains only fresh petrol. If it takes more than 3 months to use the fuel in your storage container, we suggest adding a fuel stabilizer to the fuel when you fill the container.

Fuel system damage or engine performance problems resulting from neglected storage preparation are not covered under your engine warranty.

Short Term Storage (30 - 90 days)

If your equipment will not be used between 30 and 90 days, we recommend the following to prevent fuel-related problems:

1. Add fuel stabilizer following the manufacturer's instructions.
When adding a fuel stabilizer, fill the fuel tank with fresh petrol. If only partially filled, air in the tank will promote fuel deterioration during storage.
Note:
 - All stabilizers have a shelf life and their performance will deteriorate over time.
 - Fuel stabilizers will not reconstitute stale fuel.
2. After adding a fuel stabilizer, run the engine outdoors for 10 minutes to be sure that treated petrol has replaced the untreated petrol in the carburetor.
3. Turn the fuel valve to the OFF position.
4. Continue to run the engine until it stops from the lack of fuel in the carburetor fuel bowl. Running time should be less than 3 minutes.

Long Term or Seasonal Storage (greater than 90 days)

Start the engine and allow it to run long enough to empty all the petrol from the entire fuel system (including the fuel tank). Do not allow petrol to remain in your engine for more than 90 days of inactivity.

Engine Oil

1. Change the engine oil (see page 9).
2. Remove the spark plug (see page 9).
3. Pour 5 ~ 10 cc of clean engine oil into the cylinder.
4. Pull the recoil starter several times to distribute the oil.
5. Reinstall the spark plug.

Storage Precautions

If your engine will be stored with petrol in the fuel tank, it is important to reduce the hazard of petrol vapor ignition. Select a well-ventilated storage area away from any appliance that operates with a flame, such as a furnace, water heater, or clothes dryer. Also avoid any area with a spark-producing electric motor, or where power tools are operated.

If possible, avoid storage areas with high humidity, because that promotes rust and corrosion.

If there is petrol in the fuel tank, leave the fuel valve in the OFF position.

Keep the engine level in storage. Tilting can cause fuel or oil leakage.

With the engine and exhaust system cool, cover the engine to keep out dust. A hot engine and exhaust system can ignite or melt some materials. Do not use sheet plastic as a dust cover. A nonporous cover will trap moisture around the engine, promoting rust and corrosion.

Removal From Storage

Check your engine as described in the *BEFORE OPERATION CHECKS* section of this manual (see page 5).

If the fuel was drained during storage preparation, fill the tank with fresh petrol. If you keep a container of petrol for refueling, be sure it contains only fresh petrol. Petrol oxidizes and deteriorates over time, causing hard starting.

If the cylinder was coated with oil during storage preparation, the engine will smoke briefly at startup. This is normal.

TRANSPORTING

Keep the engine level when transporting to reduce the possibility of fuel leakage. Turn the fuel valve to the OFF position.

Review the instructions provided with the equipment powered by this engine for any procedures that should be followed for transporting.

TAKING CARE OF UNEXPECTED PROBLEMS

Engine will not start

POSSIBLE CAUSE	CORRECTION
Fuel valve is OFF.	Move the fuel valve lever to ON.
Choke is OFF.	Unless the engine is warm, move the choke/throttle lever, choke rod, or choke lever to the CHOKE position.
Ignition switch or engine stop switch is OFF.	Move the flywheel brake lever to RUN position. Throttle lever to FAST position. Engine stop switch to ON.
Out of fuel.	Refuel.
Bad fuel; engine stored without treating petrol, or refueled with bad petrol.	Refuel with fresh petrol.
Spark plug faulty, fouled, or improperly gapped.	Adjust or replace the spark plug (page 9).
Spark plug wet with fuel (flooded engine).	Dry and reinstall the spark plug. Start the engine with the choke/throttle lever in the FAST position. Choke in the OFF position.
Fuel filter clogged, carburetor malfunction, ignition malfunction, valves stuck, etc.	Take the engine to an authorized Honda servicing dealer or refer to the shop manual to replace or repair faulty components as necessary.

Engine lacks power

POSSIBLE CAUSE	CORRECTION
Air filter clogged.	Clean or replace the air filter (page 9).
Bad fuel; engine stored without treating the petrol, or refueled with bad petrol.	Refuel with fresh petrol.
Fuel filter clogged, carburetor malfunction, ignition malfunction, valves stuck, etc.	Take the engine to an authorized Honda servicing dealer or refer to the shop manual to replace or repair faulty components as necessary.

TECHNICAL INFORMATION

Serial Number and Type Location

See figure on page 1.

Record the engine serial number and type in the space below. You will need this information when ordering parts and when making technical or warranty inquiries.

MODEL	SERIAL NUMBER	TYPE
GSV160,190	_____ - _____	_____
Date of purchase	_____	

Carburetor Modifications for High Altitude Operation

At high altitude, the standard carburetor air-fuel mixture will be too rich. Performance will decrease, and fuel consumption will increase. A very rich mixture will also foul the spark plug and cause hard starting. Operation at an altitude that differs from that at which this engine was certified, for extended periods of time, may increase emissions.

High altitude performance can be improved by specific modifications to the carburetor. If you always operate your engine at altitudes above 1,500 meters, have your servicing dealer perform this carburetor modification. This engine, when operated at high altitude with the carburetor modifications for high altitude use, will meet each emission standard throughout its useful life.

Even with carburetor modification, engine horsepower will decrease about 3.5% for each 300-meter increase in altitude. The effect of altitude on horsepower will be greater than this if no carburetor modification is made.

NOTICE

When the carburetor has been modified for high altitude operation, the air-fuel mixture will be too lean for low altitude use. Operation at altitudes below 1,500 meters with a modified carburetor may cause the engine to overheat and result in serious engine damage. For use at low altitudes, have your servicing dealer return the carburetor to original factory specifications.

Specifications

GSV160

Length x Width x Height	370 x 342 x 360 mm
Dry mass	12.8 kg
Engine type	4-stroke, overhead cam, single cylinder
Displacement [Bore x Stroke]	160 cm ³ [64 x 50 mm]
Oil capacity	0.50 L
Fuel tank capacity	0.91 L
Fuel consumption	1.1 L/h at 3,000 rpm
Cooling system	Forced air
Ignition system	Transistorized magneto
PTO shaft rotation	Counterclockwise

GSV190

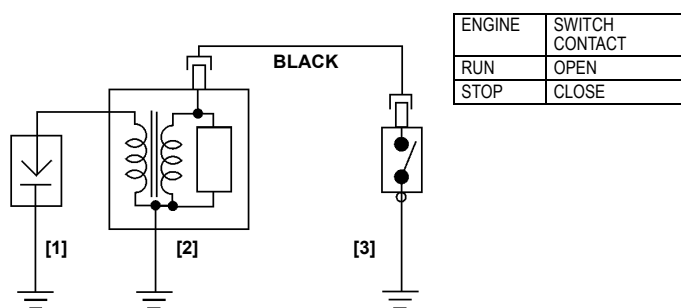
Length x Width x Height	370 x 342 x 360 mm
Dry weight	13.5 kg
Engine type	4-stroke, overhead cam, single cylinder
Displacement [Bore x Stroke]	186 cm ³ [69 x 50 mm]
Oil capacity	0.50 L
Fuel tank capacity	0.91 L
Fuel consumption	1.3 L/h at 3,000 rpm
Cooling system	Forced air
Ignition system	Transistorized magneto
PTO shaft rotation	Counterclockwise

Quick Reference Information

ITEM	DESCRIPTION	NOTE
Fuel	Type	Unleaded petrol with a research octane rating of 91 or higher (page 8).
Engine Oil	Type	SAE 10W-30, API SJ or later, for general use. Refer to page 8. * Refill amount: 0.35 ~ 0.41 L
Carburetor	Idle Speed	1,700 ± 150 rpm
Spark plug	Type	BPR6ES (NGK) Pressure washer types BPR5ES (NGK) All other applications
Maintenance	Before each use	Check engine oil level. Refer to page 9. Check air filter. Refer to page 9.
	First 5 hours	Change engine oil. Refer to page 9.
	Subsequent	Refer to the maintenance schedule on page 8.

* Actual amount will vary due to residual oil remaining in the engine. Always use the dipstick to confirm the actual level (see page 9)

Wiring Diagrams



ENGINE	SWITCH CONTACT
RUN	OPEN
STOP	CLOSE

[1]	SPARK PLUG
[2]	IGNITION COIL
[3]	ENGINE STOP SWITCH

Tuneup

ITEM	SPECIFICATION	MAINTENANCE
Spark plug gap	0.7 ~ 0.8 mm	Refer to page 9.
Valve clearance (cold)	IN: 0.15 ± 0.04 mm EX: 0.20 ± 0.04 mm	See your authorized Honda dealer
Other specifications	No other adjustments needed.	

CONSUMER INFORMATION

Honda Publications

These publications will give you additional information for maintaining and repairing your engine. You may order them from an authorized Honda engine servicing dealer.

Shop Manual	This manual covers complete maintenance and overhaul procedures. It is intended to be used by a skilled technician.
Parts Catalog	This manual provides complete, illustrated parts lists. Available through your Honda dealer.

Distributor/Dealer Locator Information

Visit our website: honda-engines-eu.com

Customer Service Information

Servicing dealership personnel are trained professionals. They should be able to answer any question you may have. If you encounter a problem that your dealer does not solve to your satisfaction, please discuss it with the dealership's management. The Service Manager, General Manager, or Owner can help. Almost all problems are solved in this way.

Honda Office

When you write or call, please provide this information:

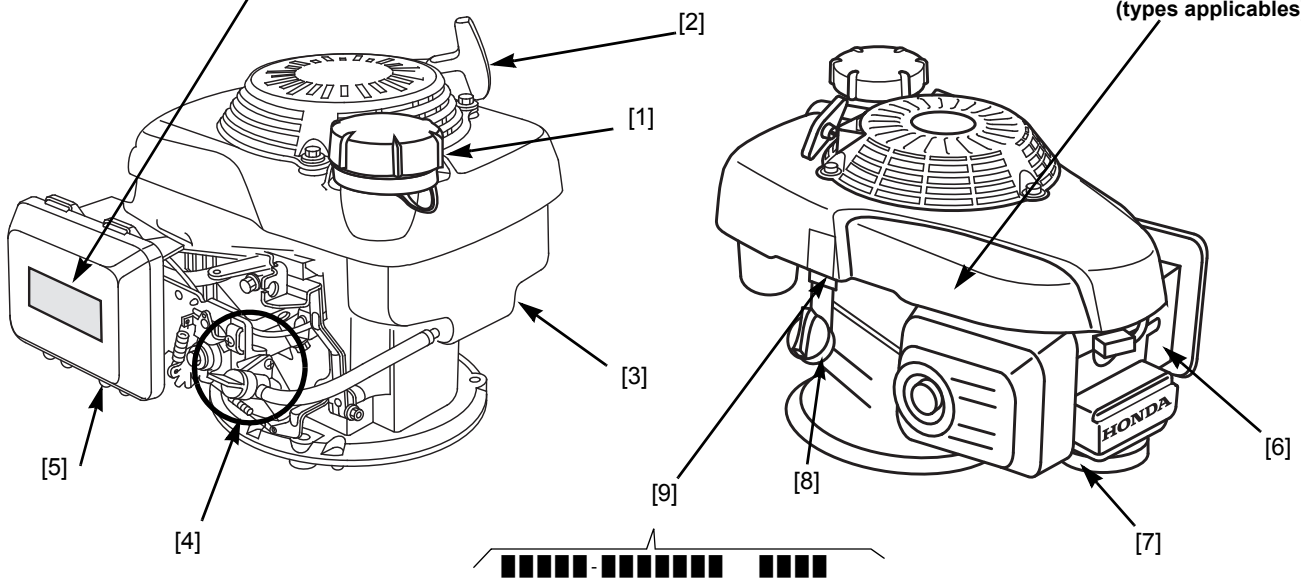
- Equipment manufacturer's name and model number that the engine is mounted on
- Engine model, serial number, and type (see page 11)
- Name of dealer who sold the engine to you
- Name, address, and contact person of the dealer who services your engine
- Date of purchase
- Your name, address, and telephone number
- A detailed description of the problem

MANUEL DEL'UTILISATEUR (Notice originale)

GSV160 • GSV190



(Apparence peut varier dans l'application finale)



EMPLACEMENT DES COMPOSANTS

1	Bouchon du réservoir d'essence
2	Poignée du démarreur
3	Réservoir d'essence
4	Zone de commande moteur *
5	Filtre à air

6	Bougie
7	Silencieux
8	Bouchon-jauge d'huile
9	Numéro de série

* Les commandes dépendent du type de moteur. Se reporter aux schémas individuels (page 2 et 3) pour déterminer quel type de commande moteur considérer lors de la lecture de la section *Fonctionnement* et d'autres sections de ce manuel.

INTRODUCTION

Merci d'avoir acheté un moteur Honda. Ce manuel vous aidera à obtenir les meilleurs résultats de votre nouveau moteur et à l'utiliser sans danger. Il contient tous les renseignements nécessaires ; veuillez le lire attentivement avant de faire fonctionner le moteur. En cas de problème ou pour toute question concernant votre moteur, veuillez consulter un concessionnaire Honda.

Toute l'information contenue dans ce document est basée sur les données les plus récentes au moment de l'impression. American Honda Motor Co., Inc. se réserve le droit d'apporter des modifications à tout moment sans préavis ni obligation. Toute reproduction, même partielle, de ce document est interdite sans autorisation écrite.

Ce manuel fait partie intégrante du moteur et doit l'accompagner en cas de revente.

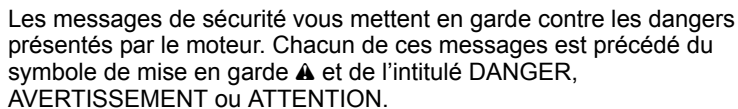
Pour tout renseignement supplémentaire concernant le démarrage, l'arrêt, le fonctionnement, les réglages ou toute opération d'entretien particulière du moteur, veuillez consulter les instructions fournies avec le matériel entraîné par ce moteur.

TABLE DES MATIÈRES

MESSAGES DE SÉCURITÉ	Page 14
CONTRÔLES AVANT UTILISATION	Page 14
FONCTIONNEMENT	Page 15
MESURES DE PRÉCAUTION	Page 15
FRÉQUENCE D'UTILISATION	Page 15
DEMARRAGE/ARRÊT LE MOTEUR (Tous les types)	Page 15
ENTRETIEN DU MOTEUR	Page 16
MESURES DE SÉCURITÉ CONCERNANT L'ENTRETIEN	Page 17
CALENDRIER D'ENTRETIEN	Page 17
REPLISSAGE DU RÉSERVOIR D'ESSENCE	Page 17
HUILE MOTEUR	Page 18
FILTRE À AIR	Page 18
BOUGIE	Page 19
CONTRÔLE DU FREIN DE VOLANT (types applicables)	Page 19
PARE-ÉTINCELLES (types applicables)	Page 19
STOCKAGE DU MOTEUR	Page 19
TRANSPORT	Page 20
RÉGLER DES PROBLÈMES IMPRÉVUS	Page 20
INFORMATIONS TECHNIQUES	Page 21
INFORMATION AU CLIENT	Page 22

MESSAGES DE SÉCURITÉ

Votre sécurité et celle des autres est très importante. Vous trouverez des messages de sécurité importants dans ce manuel et sur le moteur. Veuillez les lire avec attention.

Les messages de sécurité vous mettent en garde contre les dangers présentés par le moteur. Chacun de ces messages est précédé du symbole de mise en garde  et de l'intitulé DANGER, AVERTISSEMENT ou ATTENTION.

Ces intitulés signifient:

DANGER

DANGER ABSOLU de MORT ou de BLESSURE GRAVE si les instructions ne sont pas respectées.

AVERTISSEMENT

DANGER POTENTIEL de MORT ou de BLESSURE GRAVE si les instructions ne sont pas respectées.

ATTENTION

RISQUE de BLESSURE si les instructions ne sont pas respectées.

Chaque message indique quel est le danger, ce qui peut se produire et ce qui peut être fait pour éliminer ou réduire le risque d'accident.

MESSAGES DE PRÉVENTION DES DOMMAGES

Vous rencontrerez également d'autres messages importants précédés de l'intitulé AVIS.

Ce terme signifie:

AVIS

Risque de dommages matériels du moteur et autres si les instructions ne sont pas respectées.

L'objet de ces messages est d'écarter les risques de dommages du moteur, d'autres matériels et pour l'environnement.

INFORMATION CONCERNANT LA SÉCURITÉ

- Veuillez à comprendre le fonctionnement de toutes les commandes et à apprendre comment éteindre le moteur rapidement en cas d'urgence. Assurez-vous que le conducteur reçoive les instructions nécessaires avant d'utiliser le matériel.
- Ne pas autoriser des enfants à utiliser le moteur. Eloigner les enfants et les animaux de la zone d'utilisation.
- Les gaz d'échappement du moteur contiennent du monoxyde de carbone toxique. Ne faites pas fonctionner le moteur sans ventilation appropriée et jamais à l'intérieur.
- Le moteur et son échappement sont très chauds durant la marche. Maintenez le moteur à 1 mètre minimum des bâtiments et autres équipements durant la marche. Tenez les matières inflammables à l'écart et ne placez rien sur le moteur durant la marche.

EMPLACEMENT DE L'ÉTIQUETTE DE SÉCURITÉ

Cette étiquette met en garde contre les risques potentiels de blessures graves. La lire attentivement. Voir page 1.

Si l'étiquette se décolle ou devient illisible, s'adresser au concessionnaire d'entretien Honda pour son remplacement.

CONTRÔLES AVANT UTILISATION

LE MOTEUR EST-IL PRÊT À FONCTIONNER ?

Pour des raisons de sécurité et pour assurer une durée de service optimale du matériel, il est très important de consacrer quelques instants au contrôle de l'état du moteur avant de l'utiliser. Veiller à régler tout problème identifié, ou à le faire corriger par un réparateur, avant de faire fonctionner le moteur.

AVERTISSEMENT

Un entretien inadéquat du moteur ou l'existence de problèmes non résolus avant la mise en marche peuvent entraîner un mauvais fonctionnement pouvant présenter un danger de blessure grave ou de mort.
Toujours effectuer un contrôle préalablement à chaque utilisation et corriger tout problème éventuel.

Avant de débiter les contrôles, s'assurer que le moteur est horizontal et que le levier du frein de volant (levier de papillon, bouton d'arrêt du moteur) est en position STOP ou ARRÊT (OFF).

Toujours effectuer les contrôles suivants avant de démarrer le moteur :

1. Niveau d'essence (voir page 17).
2. Niveau d'huile (voir page 18).
3. Filtre à air (voir page 18).
4. Contrôle général : Vérifier l'absence de fuites et le bon serrage et l'état des pièces.
5. Contrôler le matériel entraîné par le moteur.

Respecter toutes les précaution et procédures à suivre avant le démarrage du moteur figurant dans le mode d'emploi du matériel entraîné par le moteur.

FONCTIONNEMENT

MESURES DE PRÉCAUTION

Avant de mettre le moteur en marche pour la première fois, consulter la section *INFORMATION CONCERNANT LA SÉCURITÉ* à la page 14 et *CONTRÔLES AVANT UTILISATION* ci-dessus.

Pour votre sécurité, ne faites pas fonctionner le moteur dans un endroit clos tel qu'un garage. Les gaz d'échappement de votre moteur contiennent du monoxyde de carbone, un gaz toxique qui peut s'accumuler rapidement dans un endroit clos et peut s'avérer nocif pour la santé, voire mortel.

⚠ AVERTISSEMENT

Les gaz d'échappement contiennent du monoxyde de carbone, un gaz toxique qui peut s'accumuler jusqu'à devenir dangereux dans les endroits clos. L'inhalation de monoxyde de carbone peut provoquer des pertes de conscience et peut être mortelle.

Ne jamais faire fonctionner le moteur dans un endroit clos ou ne serait-ce qu'en partie clos dans lequel des personnes sont susceptibles d'être présentes.

Respecter toutes les mesures de précaution indiquées dans le mode d'emploi du matériel entraîné concernant le démarrage, l'arrêt et le fonctionnement du moteur.

Ne pas faire fonctionner le moteur sur des pentes dont l'inclinaison est supérieure à 20°.

FRÉQUENCE D'UTILISATION

Si vous prévoyez de ne pas utiliser votre tondeuse à gazon fréquemment ou de l'utiliser de façon intermittente (plus de 4 semaines entre deux utilisations), veuillez vous reporter à la section « Essence » du chapitre RANGEMENT (page 19) pour en savoir plus sur la détérioration du carburant.

DEMARRAGE/ARRÊT LE MOTEUR (Tous les types)

Se reporter aux schémas individuels (page 2 et 3) pour déterminer quel type de commande moteur considérer lors de la lecture.

- **Robinet d'essence:** Mettre le robinet d'essence [1] en position OUVERT.
- **Starter manuel:** (types applicables): Tirer la tige de starter [1] jusqu'à sa position STARTER (moteur froid).
Placer la tige de starter en position FERMÉ dès que le moteur est suffisamment chaud pour tourner à un régime régulier sans le starter.
- **Ela vitesse du moteur:** Pour obtenir un fonctionnement optimal du moteur, il est conseillé de l'utiliser avec le papillon en position RAPIDE (ou régime élevé).
- **Poignée du démarreur:** Tirer légèrement la poignée du démarreur [4] jusqu'à rencontrer une résistance, puis tirer vigoureusement.

AVIS

Ne pas lâcher la poignée et la laisser revenir violemment contre le moteur. La ramener doucement pour éviter d'endommager le démarreur.

- **Redémarrage:** Pour assurer un redémarrage facile et la performance maximale de l'Auto Choke System™, laisser le moteur fonctionner durant au moins trois minutes, après avoir démarré un moteur froid, avant de l'arrêter. Ce temps de fonctionnement minimum sera plus long si la température est inférieure à 21 °C.
- **Robinet d'essence:** Arrêt du moteur, mettre le robinet d'essence en position FERMÉ.

Si vous prévoyez de ne pas utiliser votre tondeuse à gazon pendant 3 à 4 semaines, nous recommandons d'éliminer le carburant restant en laissant tourner le carburateur du moteur. Pour ce faire, vous pouvez laisser la soupape de carburant sur OFF, en redémarrant le moteur et en le laissant tourner jusqu'à ce qu'il n'y ait plus de carburant.

Type 1: Frein De Volant, Starter/papillon Commandé

DÉMARRAGE DU MOTEUR

1. Placer la commande des gaz de manière à ce que le levier de starter/papillon* [2] soit en position STARTER.
2. Placer la à ce que le levier du frein de volant* [3] soit en position MARCHE.
3. Tirer légèrement la poignée du démarreur jusqu'à rencontrer une résistance, puis tirer vigoureusement.
4. Placer le levier de starter/papillon* [2] en position RAPIDE (ou régime élevé).

ARRÊT DU MOTEUR

1. Placer le levier de starter/papillon* [2] en position LENT.
2. Libérer le levier du frein de volant* [3] pour arrêter le moteur.

Type 2: Frein De Volant, Starter Automatique, Papillon Commandé

DÉMARRAGE DU MOTEUR

1. Placer le levier de papillon* [2] en position RAPIDE.
2. Placer la à ce que le levier du frein de volant* [3] soit en position MARCHE.
3. Tirer légèrement la poignée du démarreur jusqu'à rencontrer une résistance, puis tirer vigoureusement.

ARRÊT DU MOTEUR

1. Placer le levier de papillon* [2] en position LENT.
2. Libérer le levier du frein de volant* [3] pour arrêter le moteur.

Type 3: Frein De Volant, Starter À Retour Automatique, Fixé Carburateur Préréglé

DÉMARRAGE DU MOTEUR

1. Mettre le levier de starter [2] en position starter ↘.
2. Placer la à ce que le levier du frein de volant* [3] soit en position MARCHE.

Le levier du starter commence automatiquement à revenir en position FERMÉ une fois que le levier du frein est en position MARCHE.

3. Tirer légèrement la poignée du démarreur jusqu'à rencontrer une résistance, puis tirer vigoureusement.
Le carburateur de ce modèle de moteur est préréglé.

ARRÊT DU MOTEUR

Libérer le levier du frein de volant* [3] pour arrêter le moteur.

Type 4: Frein De Volant, Starter Automatique, Fixé Carburateur Préréglé

DÉMARRAGE DU MOTEUR

1. Mettre le levier du frein de volant* [3] en position MARCHE.
2. Tirer légèrement la poignée du démarreur jusqu'à rencontrer une résistance, puis tirer vigoureusement.

ARRÊT DU MOTEUR

Libérer le levier du frein de volant* [3] pour arrêter le moteur.

* Consulter le mode d'emploi du matériel.

Type 5: Frein-embayage À Aubes, Starter/papillon Commandé

DÉMARRAGE DU MOTEUR

1. Placer la commande des gaz de manière à ce que le levier de starter/papillon* [2] soit en position STARTER.
2. S'assurer que le levier de commande de lame est dégagé*.
3. Tirer légèrement la poignée du démarreur jusqu'à rencontrer une résistance, puis tirer vigoureusement.
4. Laisser le moteur atteindre sa température normale de fonctionnement puis engager le levier de commande de lame*.

ARRÊT DU MOTEUR

1. Dégager le levier de commande du frein-embayage*.
2. Amener le levier de starter/papillon/arrêt* [2] à sa position LENT (↔) et laisser le moteur tourner au ralenti pendant quelques instants, et mettre le levier de starter/papillon/arrêt en position ARRÊT.

Type 6: Frein-embayage À Aubes, Starter Automatique, Papillon Commandé

DÉMARRAGE DU MOTEUR




1. Placer la commande des gaz de manière à ce que le levier de papillon* [2] soit en position RAPIDE.
2. S'assurer que le levier de commande de lame* est dégagé.
3. Tirer légèrement la poignée du démarreur jusqu'à rencontrer une résistance, puis tirer vigoureusement.
4. Laisser le moteur atteindre sa température normale de fonctionnement puis engager le levier de commande de lame*.

ARRÊT DU MOTEUR



1. Dégager le levier de commande du frein-embayage*.
2. Amener le levier de starter/papillon/arrêt [2] à sa position LENT et laisser le moteur tourner au ralenti pendant quelques instants, et mettre le levier de starter/papillon/arrêt en position ARRÊT.

Type 7: Starter Manuel, Papillon Manuel

DÉMARRAGE DU MOTEUR

1. Placer la commande des gaz de manière à ce que le levier de starter [2] soit en position STARTER .
2. Mettre le levier de papillon en position [3] RAPIDE .
3. Tirer légèrement la poignée du démarreur jusqu'à rencontrer une résistance, puis tirer vigoureusement.
4. Si le starter a été utilisé pour démarrer le moteur, placer le levier de starter [2] en position FERMÉ  dès que le moteur est suffisamment chaud pour tourner à un régime régulier sans le starter.

ARRÊT DU MOTEUR

Mettre le levier de papillon [3] en position LENT , et le levier de papillon en position STOP .

Type 8: Starter Manuel, Fixé Carburateur, Arrête Commutateur

DÉMARRAGE DU MOTEUR

1. Tirer la tige de starter [2] jusqu'à sa position STARTER.
2. Mettre le bouton d'arrêt du moteur [3] en position MARCHÉ.
3. Tirer légèrement la poignée du démarreur jusqu'à rencontrer une résistance, puis tirer vigoureusement.

4. Placer la tige de starter en position FERMÉ dès que le moteur est suffisamment chaud pour tourner à un régime régulier sans le starter.

Le régime de ce modèle de moteur est pré-régulé.

ARRÊT DU MOTEUR

Mettre le bouton d'arrêt du moteur [3] en position ARRÊT(OFF).

Type 9: Starter Manuel, Auto Carburateur Pré-régulé, Arrête Commutateur

DÉMARRAGE DU MOTEUR

1. Tirer la tige de starter [2] jusqu'à sa position STARTER.
2. Mettre le bouton d'arrêt du moteur [3] en position MARCHÉ (ON).
3. Tirer légèrement la poignée du démarreur jusqu'à rencontrer une résistance, puis tirer vigoureusement.
4. Si le starter a été utilisé pour démarrer le moteur, placer la tige de starter [2] en position FERMÉ dès que le moteur est suffisamment chaud pour tourner à un régime régulier sans le starter.

La caractéristique des gaz automatique ne fonctionne que lorsque le moteur est chaud.

ARRÊT DU MOTEUR

1. Retirer la charge du moteur de sorte que la manette des gaz automatique vous remet le moteur au ralenti.
2. Mettre le bouton d'arrêt du moteur en position ARRÊT.

* Consulter le mode d'emploi du matériel.

ENTRETIEN DU MOTEUR

L'IMPORTANCE DE L'ENTRETIEN

Le bon entretien du moteur est une condition essentielle à un fonctionnement sûr, économique et sans problème. Il permet également de réduire la pollution.

AVERTISSEMENT

Un entretien inadéquat ou l'existence de problèmes non résolus avant la mise en marche peuvent entraîner un mauvais fonctionnement pouvant présenter un danger de blessure grave ou de mort. Veiller à toujours respecter les conseils de contrôle et d'entretien ainsi que le calendrier d'entretien figurant dans ce manuel.

Les pages qui suivent comprennent un calendrier d'entretien, des procédures de contrôles périodiques et des procédures d'entretien simples ne nécessitant qu'un outillage de base. D'autres opérations d'entretien plus difficiles, ou nécessitant des outils spéciaux, sont à confier préférablement à des professionnels et sont normalement effectuées par un technicien Honda ou autre mécanicien qualifié.

Le calendrier d'entretien s'applique pour des conditions d'exploitation normales. Si le moteur est utilisé dans des conditions sévères, notamment forte charge continue ou température élevée ou dans un milieu particulièrement humide ou poussiéreux, obtenir des conseils adaptés aux besoins et à l'emploi particulier du moteur auprès du concessionnaire.

Garder à l'esprit qu'un concessionnaire Honda agréé connaît très bien le moteur et est entièrement équipé pour son entretien et sa réparation.

Pour assurer une qualité et une fiabilité optimales, toujours utiliser des pièces Honda d'origine ou leurs équivalents pour les réparations et l'entretien.

MESURES DE SÉCURITÉ CONCERNANT L'ENTRETIEN

Les mesures de sécurité qui suivent sont extrêmement importantes. Toutefois, il n'est pas possible de mettre en garde contre tous les risques potentiellement associés aux opérations d'entretien. Seul l'utilisateur peut décider ou non d'effectuer une tâche particulière.

⚠ AVERTISSEMENT

Pour écarter les dangers de mort ou de blessure grave, veiller à bien respecter les mesures de précaution et les instructions d'entretien.

Toujours respecter les procédures et mesures de précaution figurant dans ce manuel.

MESURES DE PRÉCAUTION

- S'assurer que le moteur est arrêté avant de débiter toute opération d'entretien ou de réparation. Ceci élimine plusieurs dangers potentiels :
 - **Intoxication au monoxyde de carbone de l'échappement.**
Vérifier que la ventilation est suffisante pour faire fonctionner le moteur.
 - **Brûlures sur les pièces chaudes.**
Laisser le moteur et l'échappement refroidir avant de les toucher.
 - **Blessures dues aux pièces en mouvement.**
Sauf instruction contraire, ne pas faire tourner le moteur.
- Lire les instructions avant de débiter et veiller à avoir l'outillage et les compétences requis.
- Pour réduire le risque d'incendie ou d'explosion, faire preuve de prudence en travaillant au voisinage de l'essence. Nettoyer les pièces avec un solvant ininflammable, pas de l'essence. Tenir les cigarettes, étincelles et flammes nues à l'écart de toutes les pièces au contact avec l'essence.

CALENDRIER D'ENTRETIEN

Effectuer l'entretien au mois ou nombre d'heures indiqués en retenant l'intervalle le plus court. ⁽¹⁾

Période de Service Régulier	Élément	Page
Avant chaque utilisation	Contrôler: Huile moteur Contrôler: Air filter	page 18 page 18
Premier mois ou 5 hrs	Changer: Huile moteur	page 18
Tous les 3 mois ou 25 hrs	Nettoyer: Filtre à air ⁽²⁾	page 18
Tous les 6 mois ou 50 hrs	Changer: Huile moteur ⁽³⁾ Nettoyer: Filtre à air ⁽²⁾ Contrôler: Semelle du frein (s'ils sont équipés)	page 18 page 18 page 19
Tous les ans ou 100 hrs	6 articles mois au-dessus plus: Contrôler-Régler: Bougie Nettoyer: Pare-étincelles (s'ils sont équipés) ⁽⁶⁾ Contrôler: Frein-embayage (s'ils sont équipés) Contrôler-Régler: Ralenti Nettoyer: Réservoir et filtre à Contrôler-Régler: Jeu des soupapes	page 19 page 19 (5) (4) (4) (4)

Période de Service Régulier	Élément	Page
Tous les 2 ans ou 200 hours	Articles annuelle ci-dessus plus: Changer: Filtre à air Changer: Bougie	page 18 page 19
Tous les 2 ans	Contrôler: Durite d'essence (remplacer si nécessaire)	(4)

- (1) En cas d'utilisation commerciale, tenir un registre des durées d'utilisation pour déterminer les intervalles d'entretien appropriés.
- (2) Dans les milieux poussiéreux, effectuer un entretien plus fréquent.
- (3) En cas d'utilisation sous forte charge ou à une température ambiante élevée, effectuer une vidange d'huile toutes les 25 heures.
- (4) Ces opérations d'entretien sont à confier à un concessionnaire Honda agréé, à moins d'avoir l'outillage et les compétences mécaniques requis. Se reporter aux procédures d'entretien figurant dans le manuel de réparation.
- (5) Voir le mode d'emploi du matériel entraîné ou le manuel de réparation moteur Honda.
- (6) En Europe ou dans les autres pays dans lesquels la directive 2006/42/EC sur la machinerie est en vigueur, ce nettoyage doit être réalisé par votre responsable d'entretien.

L'inobservation de ce programme d'entretien peut entraîner des problèmes non couverts par la garantie.

REPLISSAGE DU RÉSERVOIR D'ESSENCE

Ce moteur est certifié pour fonctionner avec de l'essence sans plomb dont l'indice d'octane théorique est supérieur ou égal à 91.

Nous recommandons de refaire le plein après chaque utilisation pour minimiser la présence d'air dans le réservoir de carburant.

Faites le plein d'essence dans un endroit bien aéré avant de démarrer le moteur. Si le moteur est déjà chaud, attendez qu'il refroidisse. Ne faites jamais le plein d'essence dans un local mal ventilé où les vapeurs pourraient s'accumuler et entrer en contact avec une flamme ou une étincelle.

Vous pouvez utiliser de l'essence sans plomb contenant 10% d'éthanol maximum (E10) ou 5% de méthanol par volume. En outre, le méthanol doit contenir des cosolvants ainsi que des inhibiteurs de corrosion. Si vous utilisez du carburant dont la teneur en éthanol ou méthanol est supérieure aux spécifications stipulées ci-dessus, le démarrage et/ou la performance risquent d'être affectés. En outre, les pièces métalliques, en caoutchouc et en plastique du circuit de carburant pourraient subir des dommages. En outre, l'éthanol est hygroscopique, ce qui signifie qu'il attire et retient l'eau dans le circuit d'alimentation de carburant. Les dommages au moteur ou problèmes de performance provenant d'un carburant aux pourcentages d'éthanol ou de méthanol supérieurs à ceux stipulés ci-dessus ne sont pas couverts par la garantie.

Si votre matériel est destiné à être utilisé peu fréquemment ou par périodes, (plus de 4 semaines entre deux utilisations) merci de consulter le paragraphe sur le carburant du chapitre STOCKAGE (page 19) pour en savoir plus sur le risque de dégradation du carburant.

Ne jamais utiliser d'essence viciée ou contaminée ni de mélange huile-essence. Éviter d'introduire de la saleté ou de l'eau dans le réservoir.

⚠ AVERTISSEMENT

L'essence est hautement inflammable et explosive et le remplissage du réservoir présente un risque de brûlure ou de blessure grave.

- Arrêter le moteur et tenir la chaleur, les étincelles et les flammes à l'écart.
- Remplir le réservoir à l'extérieur uniquement.
- Essuyer immédiatement les déversements.

Remplissage du réservoir

Voir F1 sur page 4

1. Enlever le bouchon d'essence.
2. Verser l'essence jusqu'au bas de la limite de niveau d'essence dans le col du réservoir. Ne pas trop remplir [1]. Essuyer l'essence renversée avant de démarrer le moteur.
3. Une fois que le plein est fait, serrez le capuchon du réservoir d'essence et serrez le bouchon de façon sécuritaire.

Eloignez-vous d'au moins 3 m de toute source de carburant et site de remplissage avant de mettre le moteur en marche.

AVIS

L'essence peut endommager la peinture et certains plastiques. Prendre garde à ne pas renverser d'essence en remplissant le réservoir. Les dommages causés par les déversements d'essence ne sont pas couverts par la GARANTIE LIMITÉE DU DISTRIBUTEUR.

Container de Stockage du Carburant

Stockez votre carburant dans un container en plastique propre hermétiquement fermé spécialement conçu pour cela. Fermez l'évent (si un évent est présent) lorsque le container n'est pas utilisé, et conservez le container à l'abri de la lumière directe du soleil. S'il vous faut plus de 3 mois pour consommer tout le carburant stocké dans le container, nous suggérons d'ajouter du stabilisateur de carburant au carburant lorsque vous remplissez le container.

S'il reste du carburant dans votre container de stockage à la fin de la saison, U.S. l'Environmental Protection Agency (EPA) suggère d'ajouter l'essence au réservoir de carburant de votre véhicule.

HUILE MOTEUR

L'huile est un élément essentiel qui influence le rendement et la durée utile d'un moteur. Utilisez une huile détergente pour moteur à 4 temps.

Huile conseillée

Voir F2 sur page 4.

Utiliser une huile moteur 4 temps conforme ou supérieure aux exigences de la classe de service API SJ ou équivalent. Toujours consulter l'étiquette API sur le bidon d'huile pour s'assurer qu'elle comporte les codes SJ ou équivalent.

L'huile SAE 10W-30 est conseillée pour les emplois courants. Les autres viscosités préconisées dans le graphique sont à utiliser lorsque la température ambiante moyenne est dans la plage indiquée.

Contrôle du niveau d'huile

Voir F2, F3 sur page 4.

1. Vérifier l'huile avec le moteur arrêté et horizontal.
2. Ouvrir le bouchon-jauge d'huile et l'essuyer.
3. Introduire le bouchon-jauge d'huile [1] dans le col de remplissage d'huile comme sur l'illustration, mais ne pas le visser, puis l'extraire pour contrôler le niveau d'huile.
4. Si le niveau d'huile est proche ou en dessous du repère de limite inférieure [2] sur la jauge, enlever le bouchon d'huile et remplir avec l'huile conseillée jusqu'au repère supérieur [3]. Ne pas trop remplir.
5. Remettre le bouchon-jauge d'huile en place.

Vidange d'huile

Voir F3 sur page 4.

Vidanger l'huile moteur lorsque le moteur est chaud. L'huile chaude s'écoule plus rapidement et complètement.

1. Mettre le robinet d'essence en position FERMÉ pour réduire le risque de fuite d'essence.
2. Placer un récipient approprié à côté du moteur pour recueillir l'huile usagée.
3. Enlever le bouchon-jauge [1] d'huile et vider l'huile dans le récipient en inclinant le moteur du côté de l'orifice de remplissage d'huile [4].

Éliminer l'huile moteur usagée de façon compatible avec la protection de l'environnement. Nous conseillons de porter l'huile usagée, dans un récipient hermétique, au centre de recyclage local ou à une station service. Ne pas jeter aux ordures ni verser sur le sol ou avec les eaux usées.

4. Le moteur étant en position horizontale, le remplir avec l'huile conseillée (voir plus haut) jusqu'au repère de limite supérieure [3] sur la jauge.

AVIS

Faire tourner le moteur avec un niveau d'huile insuffisant peut l'endommager.

5. Bien remettre le bouchon-jauge d'huile en place.

FILTRE À AIR

Un filtre à air correctement entretenu contribuera à empêcher la saleté de pénétrer dans votre moteur. La saleté qui pénètre dans le carburateur peut s'infiltrer dans les passages étroits et causer une usure prématurée du moteur. Ces passages étroits peuvent s'obstruer, entraînant des problèmes au démarrage ou pendant le fonctionnement. Utilisez toujours un filtre compatible avec votre moteur pour garantir qu'il offre une protection adéquate.

AVIS

L'utilisation du moteur sans élément filtrant ou avec un élément endommagé permet à la poussière de pénétrer dans le moteur, ce qui cause une usure plus rapide. Ce type de dommage n'est pas couvert par la GARANTIE LIMITÉE DU DISTRIBUTEUR.

Inspection

Voir F4 sur page 4.

1. Appuyer sur les languettes de fixation [1] au sommet du capot du filtre à air [2] et déposer le capot. Contrôler la propreté et l'état de l'élément filtrant [3].
2. Reposer l'élément filtrant et le capot du filtre à air.

Nettoyage

Voir F4 sur page 4.

1. Tapoter l'élément filtrant plusieurs fois sur une surface dure pour éliminer la saleté ou le passer à l'air comprimé sans dépasser 207 kPa depuis le côté propre, celui qui fait face au moteur. Ne jamais tenter de nettoyer la saleté à la brosse. Le brossage incruste la saleté dans les fibres.
2. Essuyer la saleté du corps et du capot de filtre à air [4] avec un chiffon humide. Prendre garde à empêcher la saleté d'entrer dans le conduit d'air [5] du carburateur.

BOUGIE

Voir F5 sur page 4.

Bougie d'allumage requise:

- NGK - BPR6ES application nettoyage à pression
- NGK - BPR5ES toute autre application

La bougie d'allumage requise a une gamme thermique qui convient pour les températures normales de fonctionnement du moteur.

AVIS

Des bougies inadaptées peuvent endommager le moteur.

Pour bien fonctionner, la bougie doit être propre et présenter un écartement correct.

1. Débrancher le capuchon de bougie et éliminer toute la saleté au voisinage de la bougie.
2. Déposer la bougie à l'aide d'une clé à bougie [1] de taille correcte.
3. Contrôler la bougie. La changer si elle est endommagée, très encrassée, si la rondelle d'étanchéité [2] est en mauvais état ou si l'électrode est usée.
4. Mesure l'écartement des électrodes avec une jauge d'épaisseur. L'écartement correct est de 0,70 à 0,80 mm. Si un ajustement est nécessaire, corriger l'écartement avec précaution en courbant l'électrode latérale.
5. Revisser la bougie avec précaution, à la main, pour éviter de fausser le filetage.
6. Une fois la bougie en place, la serrer avec une clé à bougie de taille correcte pour comprimer la rondelle.

Lors de la pose d'une bougie neuve, serrer de 1/2 tour une fois qu'elle est au fond du filet pour comprimer la rondelle.

Lors de la réutilisation de la bougie d'origine, serrer de 1/8 à 1/4 de tour une fois qu'elle est au fond du filet pour comprimer la rondelle.

AVIS

Serrer correctement la bougie. Une bougie mal serrée peut chauffer fortement et endommager le moteur. Un serrage excessif de la bougie peut endommager le taraudage de la culasse.

7. Poser le capuchon de bougie sur la bougie.

CONTRÔLE DU FREIN DE VOLANT (types applicables)

Voir F6, F7 sur page 4.

1. Déposer les trois écrous à embase [1] du démarreur à enrouleur [2] et déposer le démarreur du moteur.
2. Déposer le réservoir d'essence [3] du moteur sans débrancher la durite d'essence [4]. Si le réservoir contient de l'essence, le maintenir horizontal durant la dépose et le placer à côté du moteur en position horizontale.
3. Mesurer l'épaisseur de la semelle de frein [5]. Si elle est inférieure à 3 mm, porter le moteur chez un concessionnaire Honda.
4. Remettre le réservoir d'essence et le démarreur en place et bien resserrer les trois écrous.

PARE-ÉTINCELLES (types applicables)

Voir F8 sur page 4.

En Europe ou dans les autres pays dans lesquels la directive 2006/42/EC sur la machinerie est en vigueur, ce nettoyage doit être réalisé par votre responsable d'entretien.

Le pare-étincelles doit être nettoyé toutes les 100 heures.

Si le moteur vient tout juste de fonctionner, le silencieux sera chaud. Laissez le moteur refroidir avant de procéder à l'entretien du pare-étincelles.

Dépose du pare-étincelles

1. Déposer les trois vis [1] de 6 mm du capot de silencieux [2] et déposer le capot de silencieux.
2. Déposer la vis spéciale [3] du pare-étincelles puis déposer le pare-étincelles [4] du silencieux [5].

Nettoyage et contrôle du pare-étincelles

1. À l'aide d'une brosse, éliminer les dépôts de carbone du grillage du pare-étincelles. Prendre garde à ne pas endommager le grillage. Changer le pare-étincelles s'il est fissuré ou percé.
2. Remonter le pare-étincelle dans l'ordre inverse de la dépose.

STOCKAGE DU MOTEUR

Une préparation correcte au stockage est essentielle au maintien du moteur en bon état. Les mesures qui suivent aideront à empêcher la rouille et la corrosion de compromettre le fonctionnement et l'apparence du moteur et permettront un démarrage plus facile lors de la remise en service.

Nettoyage

Si le moteur a fonctionné, le laisser refroidir pendant au moins une demi-heure avant de le nettoyer. Nettoyer toutes les surfaces externes, retoucher la peinture endommagée et enduire d'une fine pellicule d'huile toutes les surfaces susceptibles de rouiller.

AVIS

L'emploi d'un tuyau d'arrosage ou d'un nettoyeur haute pression peut faire pénétrer de l'eau dans le filtre à air ou le silencieux. Dans le filtre à air, l'eau peut imbibier l'élément filtrant et l'eau pénétrant dans le filtre à air ou le silencieux peut parvenir jusqu'au cylindre et causer des dommages.

Essence

AVIS

Selon la région d'utilisation de votre matériel, certaines formules de carburant peuvent se dégrader et s'oxyder rapidement. Le carburant peut se dégrader et s'oxyder en seulement 30 jours et peut endommager le carburateur ou le circuit d'alimentation. Merci de prendre connaissance des recommandations locales de stockage auprès de votre concessionnaire réparateur.

L'essence s'oxyde et se détériore pendant l'entreposage. L'essence éventée entraîne des démarrages difficiles et des dépôts qui encrassent le système de carburation. Si l'essence contenue dans le moteur se détériore pendant l'entreposage, vous pouvez avoir à réparer le carburateur et d'autres éléments du système de carburation.

Le temps de conservation de l'essence sans risque pour le réservoir et le carburateur, varie en fonction du mélange d'essence utilisé, de la température de stockage et du niveau de remplissage du réservoir. Si le réservoir n'est que partiellement rempli, l'air qu'il contient favorise l'oxydation et la détérioration de l'essence. Des températures élevées du local d'entreposage favoriseront la détérioration de l'essence. Cette détérioration peut se produire en quelques mois ou même moins si l'essence utilisée pour le plein n'était pas fraîche.

Si vous conservez un bidon d'essence pour le ravitaillement, assurez-vous qu'elle ne contient que l'essence fraîche. S'il vous faut plus de 3 mois pour consommer tout le carburant stocké dans votre container de stockage, nous suggérons d'ajouter un stabilisateur de carburant au carburant lorsque vous remplissez le container.

La garantie ne couvre pas les dommages au système de carburation ou les problèmes de performances du moteur entraînés par une mauvaise préparation à l'entreposage.

Stockage à court terme (30-90 jours)

Si votre équipement doit rester inutilisé pendant 30 à 90 jours, nous recommandons ce qui suit pour éviter tout problème en rapport avec le carburant:

1. Ajoutez un stabilisateur d'essence en suivant les instructions du fabricant.

Faites le plein jusqu'au col du réservoir en utilisant de l'essence fraîche. Si le réservoir n'est que partiellement rempli, l'air qu'il contient favorisera l'oxydation et la détérioration de l'essence pendant l'entreposage.

Remarque :

- Tous les stabilisateurs ont une durée de conservation limitée, et leur performance déclinera avec le temps.
- Les stabilisateurs de carburant ne reconstitueront pas un carburant vicié.

2. Après avoir ajouté le stabilisateur, faites tourner le moteur à l'extérieur pendant 10 minutes afin de vous assurer que l'essence traitée a remplacé l'essence non traitée dans le système à carburant.

3. Arrêtez le moteur et placez le robinet à essence sur la position OFF.

4. Démarrez le moteur et continuez à laisser tourner le moteur jusqu'à ce qu'il s'arrête à cause du manque de carburant dans la cuve du carburateur. Le moteur ne devrait pas tourner plus de 3 minutes.

Stockage à long terme ou saisonnier (plus de 90 jours)

Démarrez le moteur et laissez-le tourner jusqu'à ce que toute l'essence de la totalité du circuit d'alimentation de carburant (y compris le réservoir de carburant) ait été brûlée. Ne laissez pas d'essence dans votre moteur pendant plus de 90 jours d'inutilisation.

Huile Moteur

1. Vidanger l'huile moteur (voir page 18).
2. Déposer la bougie (voir page 18).
3. Verser 5 à 10 cc d'huile moteur propre dans le cylindre.
4. Tirer plusieurs fois sur le démarreur à enrouleur pour distribuer l'huile.
5. Remettre la bougie en place.

Mesures de précaution pour le stockage

Si le moteur doit être stocké avec de l'essence dans le moteur et le carburateur, il importe de réduire le risque d'inflammation des vapeurs d'essence. Choisir une zone de stockage bien ventilée à l'écart de tout appareil fonctionnant avec une flamme, notamment chaudière, chauffe-eau ou sèche-linge. Éviter également toute zone où sont utilisés des moteurs électriques produisant des étincelles ou autre outillage électrique.

Autant que possible, éviter les zones de stockage fortement humides susceptibles de favoriser la rouille et la corrosion.

Si le réservoir contient de l'essence, laisser le robinet d'essence en position FERMÉ.

Stockez le moteur en position horizontale. L'inclinaison peut causer des fuites d'essence ou d'huile.

Lorsque le moteur est froid, y compris son système d'échappement, le couvrir pour le protéger de la poussière. Un moteur ou un pot d'échappement chauds peuvent enflammer ou faire fondre certains matériaux. Ne pas couvrir avec une bâche en plastique. Une couverture non poreuse piégera l'humidité autour du moteur, favorisant la rouille et la corrosion.

Remise en service après stockage

Effectuer les contrôles du moteur figurant dans la section **CONTRÔLES AVANT UTILISATION** de ce manuel (voir page 14).

Si l'essence a été vidangée avant le stockage, remplir le réservoir d'essence fraîche. Si l'essence utilisée provient d'un bidon, s'assurer qu'elle est fraîche. L'essence s'oxyde et se détériore avec le temps, causant des démarrages difficiles.

Si le cylindre a été enduit d'huile avant le stockage, le moteur fumera quelques instants au démarrage. Ceci est normal.

TRANSPORT

Pour réduire le risque de fuite d'essence, maintenir le moteur horizontal durant le transport. Mettre le robinet d'essence en position FERMÉ.

Pour les procédures à suivre lors du transport, référez-vous aux instructions fournies avec le matériel fonctionnant grâce au moteur.

RÉGLER DES PROBLÈMES IMPRÉVUS

Le moteur ne démarre pas

CAUSE POSSIBLE	CORRECTION
Robinet d'essence FERMÉ.	Mettre le robinet en position OUVERT.
Starter FERMÉ.	Mettre le levier de starter/papillon, la tige de starter ou le levier de starter en position STARTER OUVERT, sauf si le moteur est chaud.
Le bouton de contact ou d'arrêt du moteur est sur ARRÊT (OFF).	Mettre le levier du frein de volant en position MARCHÉ. (Levier de papillon en position RAPIDE. Bouton d'arrêt moteur sur MARCHÉ [ON])
Panne d'essence.	Refaire le plein.
Essence viciée ; moteur stocké sans traiter l'essence ou rempli avec de l'essence viciée.	Remplir d'essence fraîche.
Bougie défectueuse, encrassée ou mal réglée.	Changer la bougie (p. 19).
Bougie mouillée à l'essence (moteur noyé).	Sécher la bougie et la remettre en place. Démarrer le moteur avec le levier de starter/papillon en position RAPIDE. (Starter en position FERMÉ)
Filtre à essence obstrué, mauvais fonctionnement du carburateur, problème d'allumage, soupapes grippées, etc.	Changer ou réparer les éléments défectueux.

Le moteur manque de puissance

CAUSE POSSIBLE	CORRECTION
Le filtre à air obstrué.	Nettoyer ou changer le filtre (p. 18).
Essence viciée ; moteur stocké sans traiter l'essence ou rempli avec de l'essence viciée.	Remplir d'essence fraîche.
Filtre à essence obstrué, mauvais fonctionnement du carburateur, problème d'allumage, soupapes grippées, etc.	Changer ou réparer les éléments défectueux.

INFORMATIONS TECHNIQUES

Emplacement du numéro de série et du type

Voir figure page 1.

Noter le numéro de série du moteur et le type dans l'espace ci-dessous. Cette information est nécessaire pour la commande de pièces, les demandes techniques ou le recours à la garantie.

MODÈLE	NUMÉRO DE SÉRIE	TYPE DE MOTEUR
GSV160, 190	_____	_____
Date d'achat	_____	_____

Modifications du carburateur pour l'utilisation à haute altitude

À haute altitude, le mélange air-essence du carburateur standard est trop riche. Le rendement baisse et la consommation d'essence augmente. Un mélange très riche peut également encrasser la bougie et causer des problèmes de démarrage. L'utilisation pendant des périodes prolongées à une altitude autre que celle pour laquelle le moteur est homologué peut accroître les émissions.

Le fonctionnement à haute altitude peut être amélioré par modification du carburateur. Si le moteur est toujours utilisé à des altitudes supérieures à 1500 mètres, faire effectuer cette modification du carburateur par le revendeur. Lorsqu'il est utilisé en altitude avec un carburateur modifié pour la haute altitude, ce moteur se conforme à toutes les normes d'émissions pendant toute sa durée de service.

Même avec un carburateur modifié, la puissance du moteur diminue d'environ 3,5% pour chaque élévation supplémentaire de 300 mètres. L'effet de l'altitude sur la puissance est encore plus important avec un carburateur non modifié.

AVIS

Lorsque le carburateur a été modifié pour une utilisation à haute altitude, le mélange air-essence est trop pauvre pour les basses altitudes. L'utilisation à des altitudes inférieures à 1 500 mètres avec un carburateur modifié peut causer une surchauffe et des dommages importants du moteur. Pour les emplois à basse altitude, faire remettre le carburateur dans son état d'origine par le revendeur.

Caractéristiques

GSV160

Longueur x Largeur x Hauteur	370 x 342 x 360 mm
Poids à vide	12,8 kg
Type de moteur	4 temps, arbre à cames en tête, monocylindre
Cylindrée [alésage x course]	160 cm ³ [64 x 50 mm]
Capacité huile moteur	0,50 L
Capacité du réservoir d'essence	0,91 L
Consommation d'essence	1.1 L/h à 3 000 tr/min
Système de refroidissement	Air pulsé
Système d'allumage	Magnéto transistorisée
Rotation prise de force	Sens inverse des aiguilles d'une montre

GSV190

Longueur x Largeur x Hauteur	370 x 342 x 360 mm
Poids à vide	13,5 kg
Type de moteur	4 temps, arbre à cames en tête, monocylindre
Cylindrée [alésage x course]	186 cm ³ [69 mm x 50 mm]
Capacité huile moteur	0,50 L
Capacité du réservoir d'essence	0,91 L
Consommation d'essence	1.3 L/h à 3 000 tr/min
Système de refroidissement	Air pulsé
Système d'allumage	Magnéto transistorisée
Rotation prise de force	Sens inverse des aiguilles d'une montre

Caractéristiques de mise au point

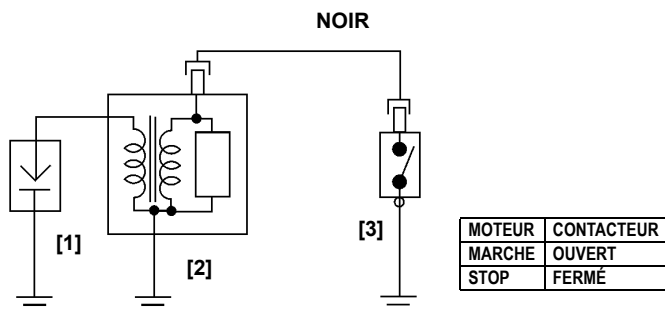
ÉLÉMENT	CARACTÉRISTIQUE	ENTRETIEN
Écartement de bougie	0,7 à 0,8 mm	Voir page 19.
Jeu des soupapes (à froid)	ADM : 0,15 ± 0,04 mm ÉCH : 0,20 ± 0,04 mm	Consulter le concessionnaire Honda
Autres caractéristiques	Aucun autre réglage requis.	

Références rapides

ARTICLE	DESCRIPTION	REMARQUE
Essence	Type	L'essence sans plomb avec un indice d'octane recherche minimal de 91 (page 17).
Huile moteur	Type	SAE 10W-30, API SJ, pour usage général. Voir page 18. * Plein : 0.35 ~ 0.40 L
Carburateur	Régime de ralenti	1700 ± 150 tr/min
Bougie	Type	NGK BPR6ES (application nettoyage à pression) NGK BPR5ES (toute autre application)
Entretien	Avant chaque emploi	Contrôler le niveau d'huile moteur. Voir page 18. Contrôler le filtre à air. Voir page 18.
	Premières 5 heures	Effectuer une vidange d'huile. Voir page 18.
	Par la suite	Voir le calendrier d'entretien à la page 17.

* Le niveau peut varier en fonction de l'huile restant dans le moteur. Utilisez toujours la jauge d'huile pour vérifier le niveau réel de l'huile (page 18).

Schéma de câblage



[1]	BOUGI
[2]	BOBIN D'ALLUMAGE
[3]	BOUTON D'ARRET DU MOTEUR

INFORMATION AU CLIENT

Publications Honda

Ces publications fournissent des renseignements supplémentaires pour l'entretien et la réparation du moteur. Elles peuvent être commandées auprès du concessionnaire de moteurs Honda.

Manuel de réparation	Ce manuel couvre toutes les procédures d'entretien et de remise à neuf. Il est destiné aux techniciens qualifiés.
Catalogue de pièces	Ce manuel fournit une nomenclature des pièces complète et illustrée.

Informations de localisation des distributeurs/concessionnaires

Rendez-vous sur notre site Web: honda-engines-eu.com

Informations d'entretien pour le client

Le personnel des concessionnaires compte des professionnels qualifiés. Il devrait pouvoir répondre à toutes vos questions. Si le concessionnaire ne résout pas votre problème de manière satisfaisante, adressez-vous à la direction du concessionnaire. Le responsable du service après-vente, le directeur général ou le propriétaire pourra vous aider. Presque tous les problèmes se résolvent de cette manière.

Bureau Honda

Lorsque vous écrivez ou appelez, veuillez fournir les informations suivantes:

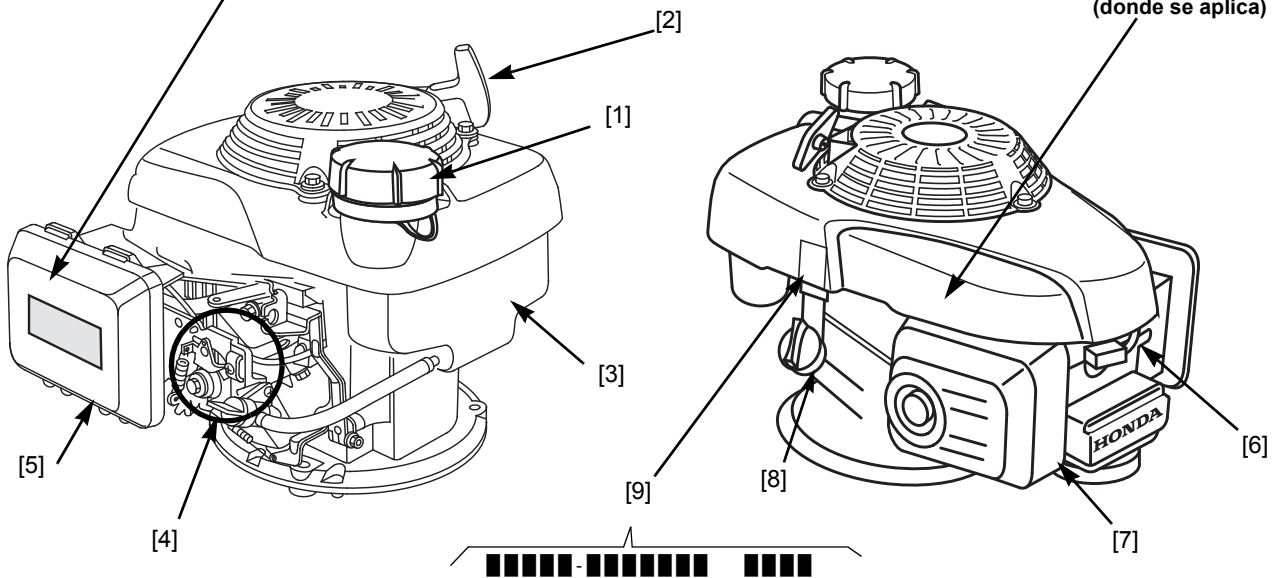
- Nom du fabricant et numéro de modèle de l'équipement sur lequel est monté le moteur
- Modèle, numéro de série et type du moteur (voir page 21)
- Nom du concessionnaire vous ayant vendu le moteur
- Nom, adresse et personne à contacter du concessionnaire assurant le service après-vente de votre moteur
- Date d'achat
- Vos nom, adresse et numéro de téléphone
- Description détaillée du problème

MANUAL DEL PROPIETARIO (Manual original)

GSV160 • GSV190



(El aspecto puede variar en la aplicación final)



UBICACIÓN DE LOS COMPONENTES

1	Tapa Del Tanque De Combustible
2	Empuñadura Del Arrancador
3	Tanque De Combustible
4	Área De Control Del Motor *
5	Filtro De Aire

6	Bujía
7	Silenciador
8	Tapa de llenado varilla de medición del aceite
9	Número De Série

* El área de control del motor varía según el tipo de motor. Consulte las figuras (página 2 y 3) a continuación para determinar el tipo de control del motor cuando lea la sección *Operación* y otras secciones en este manual.

INTRODUCCIÓN

Gracias por comprar un motor Honda. Queremos ayudarlo a que obtenga los mejores resultados del nuevo motor, y a que lo opere con seguridad. Este manual contiene información acerca de cómo hacerlo. Léalo con atención antes de operar el motor. Si se le presenta un problema, o si tiene cualquier pregunta acerca del motor, consulte al servicio técnico de su concesionario Honda autorizado.

Toda la información de esta publicación está basada en la información más reciente sobre el producto disponible en el momento de la impresión. Honda Motor Co., Inc. se reserva el derecho a realizar cambios en cualquier momento, sin aviso previo y sin incurrir en ninguna obligación. Está prohibido reproducir cualquiera de las secciones de esta publicación sin contar con un permiso por escrito.

Este manual debe considerarse una pieza permanente del motor y debe permanecer con éste cuando se vuelva a vender.

Revise las instrucciones que vienen con el equipo propulsado por este motor para obtener cualquier información adicional acerca del arranque, apagado, operación, ajuste o cualquier otra instrucción especial de mantenimiento.

CONTENIDOS

MENSAJES DE SEGURIDAD	página 24
COMPROBACIONES ANTES DE LA OPERACIÓN	página 24
OPERACIÓN	página 25
PRECAUCIONES DE MANEJO SEGURO	página 25
FRECUENCIA DE USO	página 25
ARRANQUE/PARA DEL MOTOR (Todos los tipos)	página 25
SERVICIO DEL MOTOR	página 26
LA IMPORTANCIA DEL MANTENIMIENTO	página 26
PROGRAMA DE MANTENIMIENTO	página 27
REABASTECIMIENTO	página 27
ACEITE RECOMENDADO	página 28
BUJÍA	página 29
INSPECCIÓN DEL FRENO DEL VOLANTE (donde se aplica)	página 29
SUPRESOR DE CHISPAS (donde se aplica)	página 29
ALMACENAJE DEL MOTOR	página 29
TRANSPORTE	página 30
OCUPARSE DE PROBLEMAS INESPERADOS	página 30
INFORMACIÓN TÉCNICA	página 31
INFORMACIÓN AL CONSUMIDOR	página 32

MENSAJES DE SEGURIDAD

Es muy importante garantizar su seguridad y la de los demás. Hemos proporcionado importantes mensajes de seguridad en este manual y en el motor mismo. Léalos con atención.

Los mensajes de seguridad lo alertan de peligros potenciales que puedan herirlo a usted o a los demás. Todos los mensajes de seguridad están precedidos de un símbolo de alerta de seguridad ▲ y de una de las tres palabras indicadoras, PELIGRO, ADVERTENCIA o PRECAUCIÓN.

Estas palabras indicadoras significan lo siguiente:

▲ PELIGRO

Indica que SIN DUDA MORIRÁ o sufrirá LESIONES GRAVES si no cumple con las instrucciones.

▲ ADVERTENCIA

Indica que EXISTE UNA GRAN POSIBILIDAD de que MUERA o de que sufra LESIONES GRAVES si no cumple con las instrucciones.

▲ PRECAUCIÓN

PUEDE LESIONARSE si no cumple con las instrucciones.

Cada mensaje le dice de lo que se trata el peligro, lo que puede pasar, y lo que usted puede hacer para evitar la lesión o reducirla.

MENSAJES DE PREVENCIÓN DE DAÑOS

También verá otros mensajes importantes, precedidos de la palabra AVISO.

Esta palabra significa:

AVISO

El motor u otra propiedad puede resultar dañada si no siguen las instrucciones.

El propósito de dichos mensajes es ayudarlo a prevenir los daños a su motor, a otros bienes o al medio ambiente.

INFORMACIÓN DE SEGURIDAD

- Comprenda el funcionamiento de todos los controles y aprenda a parar el motor rápidamente en caso de emergencia. Asegúrese de que el operador reciba las instrucciones adecuadas antes de operar el equipo.
- No permita que los niños operen el motor. Mantenga a los niños y animales apartados del lugar de operación.
- El escape del motor contiene el peligroso monóxido de carbono. No ponga en marcha el motor sin una adecuada ventilación, y nunca lo haga en interiores.
- El motor y el escape se calientan considerablemente durante su funcionamiento. Mantenga el motor por lo menos a 1 metro de las construcciones y de otros equipos durante la operación. Mantenga lejos los materiales inflamables, y no ponga nada encima del motor mientras está en marcha.

SITUACIÓN DE LAS ETIQUETAS DE SEGURIDAD

Esta etiqueta le avisa sobre peligros potenciales que pueden ocasionar heridas graves. Léala detenidamente. (página 29)

Si la etiqueta se despegua o si resulta difícil de leer, solicite su reemplazo a su concesionario de servicio Honda.

COMPROBACIONES ANTES DE LA OPERACIÓN

¿EL MOTOR ESTÁ LISTO PARA PARTIR?

Para su seguridad, y para maximizar la vida útil del equipo, es muy importante tomarse unos minutos antes de operar el motor para comprobar su condición. Asegúrese de ocuparse de cualquier problema que encuentre, o haga que el servicio técnico de su concesionario lo corrija, antes de operar el motor.

▲ ADVERTENCIA

El mantenimiento inadecuado de este motor, o no corregir un problema antes de operarlo, puede causar una falla por la cual usted puede resultar gravemente herido o morir. Siempre realice una inspección previa a cada operación y corrija cualquier problema.

Antes de comenzar sus comprobaciones previas a la operación, asegúrese de que el motor esté nivelado, y de que la palanca de freno del volante (palanca del acelerador, interruptor de paro del motor) está en la posición de PARADA o APAGADO (OFF).

Siempre compruebe los siguientes puntos antes de arrancar el motor:

1. Nivel de combustible (consulte la página 27).
2. Nivel de aceite (consulte la página 28).
3. Filtro de aire (consulte la página 28).
4. Inspección general: Compruebe si hay pérdidas de combustible o piezas dañadas.
5. Compruebe el estado del equipo propulsado por este motor.

Revise las instrucciones que vienen con el equipo propulsado por este motor por si hay cualquier precaución o procedimientos que se deban seguir antes de arrancar el motor.

OPERACIÓN

PRECAUCIONES DE MANEJO SEGURO

Antes de arrancar el motor por primera vez, revise la sección **INFORMACIÓN DE SEGURIDAD** en la página 24 y las **COMPROBACIONES ANTES DE LA OPERACIÓN** arriba.

Por su seguridad, no utilice el motor en áreas cerradas, por ejemplo, en las cocheras. Los gases emitidos por el escape del motor contienen monóxido de carbono venenoso que puede acumularse rápidamente en las áreas cerradas y producir malestares o incluso la muerte.

⚠ ADVERTENCIA

El gas de monóxido de carbono es tóxico. Respirarlo puede causar inconsciencia y hasta la muerte.

Evite toda área o acción que lo exponga al monóxido de carbono.

Revise las instrucciones que vienen con el equipo propulsado por este motor por si se debe tomar cualquier precaución de seguridad respecto del arranque, el apagado y la operación del motor.

No haga funcionar el motor en pendientes mayores que 20°.

FRECUENCIA DE USO

Si la cortadora de césped se utilizará de manera poco frecuente o intermitente (más de 4 semanas entre cada uso), consulte la sección sobre combustible del capítulo Combustible página 29 para obtener información adicional sobre el deterioro del combustible.

ARRANQUE/PARA DEL MOTOR (Todos los tipos)

Consulte las figuras (página 2 y 3) y determinar el tipo de control del motor cuando lea la sección Operación y otras secciones en este manual.

- **Válvula de combustible:** Gire la válvula de combustible [1] a la posición ABIERTA.
- **Cebador manual:** (donde se aplica): Mueva la palanca del cebador [2] a la posición ENCENDIDO (motor frío).
Mueva la palanca del cebador a la posición APAGADO apenas el motor se haya calentado lo suficiente como para funcionar sin problemas, sin usar el cebador.
- **Ajuste de la aceleración:** Para un mejor rendimiento del motor, se recomienda operarlo con la palanca de gases en la posición RÁPIDO (o alto).
- **Empuñadura del arrancador:** Tire suavemente de la empuñadura del arrancador [3] hasta que sienta resistencia. Entonces tire con fuerza.

AVISO

No permita que la empuñadura del arrancador se vuelva a enrollar de golpe en el motor. Regréselo suavemente para evitar daños en el motor de arranque.

- **Reencendido:** Para asegurar un reencendido fácil y el máximo rendimiento del Auto Choke System™, después de encender un motor frío, permita que el motor funcione durante un lapso mínimo de tres minutos antes de apagarlo. Este tiempo mínimo de funcionamiento será más largo si la temperatura es inferior a 21 °C.
- **Válvula de combustible:** Gire la válvula de combustible [1] a la posición CERRADA.
Si la equipo no se utilizará durante 3 a 4 semanas, recomendamos agotar el combustible del carburador del motor. Puede hacer esto dejando la válvula de combustible cerrada (OFF), encendiendo nuevamente el motor y agotando el combustible.

Tipo 1: Freno Del Volante, Cebador/Aceleración Remota

ARRANQUE DE UN MOTOR

1. Mueva la palanca del cebador/acelerador* [2] a la posición CEBADOR.
2. Coloque el control del freno del volante* [3] de manera que la palanca del freno del volante quede en la posición MARCHA.
3. Tire suavemente de la empuñadura del arrancador hasta que sienta resistencia. Entonces tire con fuerza.
4. Mueva la palanca del cebador/acelerador* [2] a la posición RÁPIDO (o alto).

PARA EL MOTOR

1. Mueva el control del cebador/acelerador* [2] a la posición LENTO.
2. Suelte la palanca de freno del volante* [3] para parar el motor.

Tipo 2: Freno Del Volante, Aceleración Remota, Automático Cebador

ARRANQUE DE UN MOTOR

1. Mueva la palanca del acelerador* [2] a la posición CEBADOR.
2. Coloque el control del freno del volante* [3] de manera que la palanca del freno del volante quede en la posición MARCHA.
3. Tire suavemente de la empuñadura del arrancador hasta que sienta resistencia. Entonces tire con fuerza.

PARA EL MOTOR

1. Mueva el control del acelerador* [2] a la posición LENTO.
2. Suelte la palanca de freno del volante* [3] para parar el motor.

Tipo 3: Freno Del Volante, Aceleración Fija, Retorno Automático Del Cebador

ARRANQUE DE UN MOTOR

1. Mueva la palanca del cebador [2] a la posición cebador ↘.
2. Coloque el control del freno del volante* [3] de manera que la palanca del freno del volante quede en la posición MARCHA.
La palanca del cebador comienza a moverse automáticamente a la posición CERRADO (OFF) cuando la palanca de freno del volante se mueve a la posición MARCHA.
3. Tire suavemente de la empuñadura del arrancador hasta que sienta resistencia. Entonces tire con fuerza.
La aceleración está preajustada en este tipo.

PARA EL MOTOR

Suelte la palanca de freno del volante* [3] para parar el motor.

Tipo 4: Freno Del Volante, Automático Cebador, Aceleración Fija

ARRANQUE DE UN MOTOR

1. Coloque el control del freno del volante* [2] de manera que la palanca del freno del volante quede en la posición MARCHA.
2. Tire suavemente de la empuñadura del arrancador hasta que sienta resistencia. Entonces tire con fuerza.

PARA EL MOTOR

Suelte la palanca de freno del volante* [2] para parar el motor.

* Consulte el manual del equipo.

Tipo 5: Freno De Cuchillas, Cebador/aceleración Remota

ARRANQUE DE UN MOTOR

1. Mueva la palanca del cebador/acelerador* [2] a la posición CEBADOR.
2. Asegúrese de que la palanca de control de cuchillas* esté desenganchada.
3. Tire suavemente de la empuñadura del arrancador hasta que sienta resistencia. Entonces tire con fuerza.
4. Apenas arranque el motor, mueva lentamente la palanca del cebador/acelerador/parada a la posición RÁPIDO*. Permita que el motor se caliente a temperatura de funcionamiento, y luego enganche la palanca de control de cuchillas.

PARA EL MOTOR

1. Desenganche la palanca de control del freno de cuchillas*.
2. Mueva la palanca del cebador/acelerador/parada a la posición LENTO (☛), y mueva la palanca del cebador/acelerador/parada a la posición de PARADA.

Tipo 6: Freno De Cuchillas, Automático Cebador, Aceleración Remota

ARRANQUE DE UN MOTOR

1. Mueva la palanca del acelerador* [2] a la posición CEBADOR.
2. Asegúrese de que la palanca de control de cuchillas* esté desenganchada.
3. Tire suavemente de la empuñadura del arrancador hasta que sienta resistencia. Entonces tire con fuerza.
4. Permita que el motor se caliente a temperatura de funcionamiento, y luego enganche la palanca de control de cuchillas*.

PARA EL MOTOR

1. Desenganche la palanca de control del freno de cuchillas*.
2. Mueva la palanca del acelerador/parada a la posición LENTO, y mueva la palanca del cebador/acelerador/parada a la posición de PARADA.

Tipo 7: Cebador Manual, Aceleración Manual

ARRANQUE DE UN MOTOR

1. Mueva la palanca del cebador [2] a la posición ENCENDIDO (N).
2. Mueva la palanca del acelerador [3] a la posición RÁPIDO (☛).
3. Tire suavemente de la empuñadura del arrancador hasta que sienta resistencia. Entonces tire con fuerza.
4. Coloque la palanca acelerador en la velocidad deseada del motor.

PARA EL MOTOR

Mueva la palanca del acelerador a la posición LENTO (☛), y mueva la palanca del acelerador a la posición de PARADA (☒).

Tipo 8: Cebador Manual, Interruptor De Parada, Aceleración Fija

ARRANQUE DE UN MOTOR

1. Mueva la varilla del cebador [2] a la posición ABIERTO (N).
2. Gire el interruptor de paro del motor [3] a la posición de ENCENDIDO (ON).
3. Tire suavemente de la empuñadura del arrancador hasta que sienta resistencia. Entonces tire con fuerza.

4. Si se utilizó el cebador para encender el motor, mueva la varilla del cebador a la posición CERRADO apenas el motor se haya calentado lo suficiente como para funcionar sin problemas, sin usar el cebador.

La aceleración está preajustada en este motor.

PARA EL MOTOR

Gire el interruptor de motor a la posición de APAGADO (OFF).

Tipo 9: Starter Manual, Arrête Commutateur, Aceleración Auto

ARRANQUE DE UN MOTOR

1. Mueva la varilla del cebador [2] a la posición ABIERTO (N).
2. Gire el interruptor de paro del motor [3] a la posición de ENCENDIDO (ON).
3. Tire suavemente de la empuñadura del arrancador hasta que sienta resistencia. Entonces tire con fuerza.
4. Si se utilizó el cebador para encender el motor, mueva la varilla del cebador a la posición CERRADO apenas el motor se haya calentado lo suficiente como para funcionar sin problemas, sin usar el cebador.

La aceleración está preajustada en este motor.

PARA EL MOTOR

1. Gire el interruptor de motor a la posición de APAGADO (OFF).
2. Gire la válvula de combustible a la posición CERRADA.

* Consulte el manual del equipo.

SERVICIO DEL MOTOR

LA IMPORTANCIA DEL MANTENIMIENTO

El buen mantenimiento es fundamental para una operación segura, económica y sin problemas. También ayuda a disminuir la polución.

⚠ ADVERTENCIA

El mantenimiento inadecuado, o no corregir un problema antes de operarlo, puede causar una falla por cual usted puede resultar gravemente herido o morir. Siempre siga las recomendaciones de inspección y mantenimiento de este manual del propietario.

Para ayudarlo a cuidar adecuadamente del motor, las siguientes páginas incluyen un programa de mantenimiento, procedimientos de inspección de rutina, y procedimientos simples de mantenimiento con herramientas de mano básicas. Otras tareas de servicio más difíciles, o que requieran de herramientas especiales, se manejan mejor en manos de profesionales, y las realizan normalmente técnicos de Honda y otros mecánicos calificados.

El programa de mantenimiento se aplica a condiciones normales de operación. Si opera el motor en condiciones difíciles, como una operación en constante sobrecarga o alta temperatura, o en condiciones anormalmente húmedas o polvorientas, consulte al servicio técnico de su concesionario sobre recomendaciones que se apliquen a sus necesidades y a su uso individuales.

Recuerde que su concesionario Honda autorizado conoce mejor el motor, y que está totalmente equipado para realizarle mantenimiento y repararlo.

Para asegurar la mejor calidad y confiabilidad, sólo use piezas originales Honda nuevas u otras equivalentes para la reparación y cambio.

SEGURIDAD DEL MANTENIMIENTO

A continuación se presentan algunas de las precauciones de seguridad más importantes. Sin embargo, nos es imposible advertirle acerca de todos y cada uno de los peligros posibles que pueden surgir al llevar a cabo el mantenimiento. Sólo usted puede decidir si debería o no realizar una tarea específica.

⚠ ADVERTENCIA

La falta de cumplimiento con las instrucciones y las precauciones de mantenimiento puede causarle lesiones o la muerte.

Siempre siga cuidadosamente los procedimientos y observe las precauciones contenidas en este manual del propietario.

PRECAUCIONES DE SEGURIDAD

- Asegúrese que el motor está apagado antes de comenzar cualquier mantenimiento o reparación. Esto le ayudará a eliminar varios peligros potenciales:
 - **Envenenamientos por monóxido de carbono proveniente del escape del motor.**
Cerciórese de que el lugar en el que opera esté lo suficientemente ventilado el motor.
 - **Quemaduras causadas por piezas calientes.**
Deje enfriar el motor y el sistema de escape antes de tocarlos.
 - **Lesiones provocadas por piezas en movimiento.**
No ponga en marcha el motor a menos que se le indique hacerlo.
- Lea las instrucciones antes de comenzar y asegúrese que tiene las herramientas y habilidades necesarias.
- Para reducir la posibilidad de que se produzca un incendio o una explosión, tenga cuidado cuando trabaje cerca de gasolina. Use solamente un solvente no inflamable para limpiar las piezas. No use gasolina. Mantenga todas las piezas relacionadas con el combustible fuera del alcance de los cigarrillos, las chispas y las llamas.

PROGRAMA DE MANTENIMIENTO

Lleve a cabo en cada mes indicado o de acuerdo con el intervalo de horas de operación, lo que suceda primero. ⁽¹⁾

Período Regular de Servicio	Artículo	Página
Antes de cada uso	Comprobar: Aceite de motor Comprobar: Filtro de aire	página 28 página 28
Primer mes o 5 h.	Cambiar: Aceite de motor	página 28
Cada 3 mes o 25 h.	Limpiar: Filtro de aire ⁽²⁾	página 28
Cada 6 mes o 50 h.	Cambiar: Aceite de motor ⁽³⁾ Limpiar: Filtro de aire ⁽²⁾ Comprobar: Pastilla de freno del volante (si está equipado)	página 28 página 28 página 29

Período Regular de Servicio	Artículo	Página
Cada año o 100 h.	6 artículos mes anterior, más: Comprobar-ajustar: Bujía Limpiar: Supresor de chispas (si está equipado) ⁽⁶⁾ Comprobar: Freno de cuchillas (si está equipado) Comprobar-ajustar: Ralentí velocidad Limpiar: Tanque y filtro de combustible Comprobar-ajustar: Holgura de la válvula	página 29 página 29 (5) (4) (4) (4)
Cada 2 años o 200 h.	Artículos anual anterior más: Cambiar: Filtro de aire Cambiar: Bujía	página 28 página 29
Cada 2 años	Comprobar: Línea de combustible (reemplazar si es necesario)	(4)

- (1) Para uso comercial, registre las horas de funcionamiento para determinar los intervalos de mantenimiento adecuados.
- (2) Realice el servicio con más frecuencia cuando se usa en áreas polvorientas.
- (3) Cambie el aceite del motor cada 25 horas cuando se use bajo fuerte demanda o con alta temperatura ambiental.
- (4) El servicio técnico de su concesionario Honda autorizado debe realizar el servicio a estos artículos, a menos que sea eficiente en las operaciones mecánicas y que tenga las herramientas adecuadas. Consulte el manual del taller Honda para obtener los procedimientos de servicio.
- (5) Consulte el manual del equipo o el manual del taller del motor Honda.
- (6) En Europa, y en otros países donde se cumple con la directiva para maquinarias 2006/42/EC, esta limpieza debe realizarla un proveedor de servicios.

Si no sigue este programa de mantenimiento pueden producirse fallas que no entran en la garantía.

REABASTECIMIENTO

Este motor está homologado para utilizar gasolina sin plomo con un octanaje de 91 o superior.

Recomendamos volver a cargar combustible después de cada uso a fin de minimizar la presencia de aire en el tanque.

Nunca recargue el combustible del cortacésped cuando se encuentre en el interior de un edificio donde los vapores de la gasolina puedan alcanzar llamas o chispas. Mantenga la gasolina alejada de las llamas piloto de los electrodomésticos, barbacoas, artefactos eléctricos, herramientas eléctricas, etc.

Puede usar gasolina ordinaria sin plomo que no contenga más del 10% de etanol (E10) o del 5% de metanol por volumen. Asimismo, el metanol debe contener cosolventes e inhibidores de corrosión. El uso de combustibles con un contenido de metanol superior al mostrado anteriormente puede ocasionar problemas de arranque o de funcionamiento. También puede dañar las piezas de metal, goma y plástico del sistema de combustible. Además, el etanol es higroscópico, lo que significa que atrae y retiene agua en el sistema de combustible. El daño al motor o los problemas de funcionamiento que resulten del uso de un combustible con porcentajes de etanol o metanol superiores a los mostrados anteriormente no están cubiertos por la garantía.

Si va a usar el equipo de forma intermitente o sólo ocasionalmente, (más de 4 semanas entre cada uso) consulte la sección de *Combustible* del capítulo ALMACENAMIENTO (página 29) pour en savoir plus sur le risque de dégradation du carburant.

No use nunca gasolina rancia o contaminada ni mezclas de aceite y gasolina. No permita que entre suciedad o agua en el tanque de combustible.

⚠ ADVERTENCIA

La gasolina es altamente inflamable y explosiva y usted puede quemarse o lesionarse gravemente al reabastecer.

- Pare el motor y mantenga lejos el calor, las chispas y las llamas.
- Reabastezca sólo al aire libre.
- Limpie inmediatamente los derrames.

Agregar combustible

1. Quite la tapa del tanque de combustible.
2. Agregue combustible hasta la parte inferior del límite de nivel de combustible en el tubo del tanque [1]. No llene de más. Limpie el combustible derramado antes de arrancar el motor.
3. Apriete el tapón del tanque de combustible firmemente.
Antes de arrancar el motor, aléjese al menos 3 metros del emplazamiento y la fuente de la gasolina.

AVISO

El combustible puede dañar la pintura y algunos tipos de plástico. Tenga cuidado de no derramar combustible cuando llena el tanque. El daño causado por el combustible derramado no está cubierto por la Garantía limitada de su distribuidor.

Recipiente de Almacenamiento de Combustible

Almacene el combustible en un recipiente de plástico limpio y sellado, aprobado para el almacenamiento de combustible. Cierre la ventilación (si está incluida en el equipo) cuando no esté en uso y guarde el recipiente fuera de la luz solar directa. Si el combustible del recipiente demora más de 3 meses en consumirse, le sugerimos que agregue un estabilizador al combustible cuando llene el recipiente. Si hubiera quedado un poco de combustible en el recipiente de almacenamiento al finalizar la temporada, la U.S. Agencia de Protección Ambiental (EPA, por sus siglas en inglés) sugiere agregar gasolina al tanque del vehículo.

ACEITE DE MOTOR

El aceite es un factor fundamental que incide en el rendimiento y en la vida de servicio. Utilice aceite detergente para motores de cuatro tiempos.

ACEITE RECOMENDADO

Ver F2 en la página 4.

Use aceite para motor de 4 tiempos que cumpla o sobrepase los requisitos para la clasificación de servicio API SJ o equivalente. Compruebe siempre la etiqueta de servicio API en el recipiente del aceite para asegurarse que incluye las letras SJ o equivalente.

Para un uso general se recomienda SAE 10W-30. Las demás viscosidades que aparecen en la tabla pueden ser usadas cuando la temperatura promedio en el área se encuentra entre los parámetros indicados.

REVISIÓN DEL NIVEL DE ACEITE

Ver F2, F3 en la página 4.

1. Revise el aceite con el motor parado y nivelado.
2. Quite la tapa del depósito de aceite/varilla medidora del nivel de aceite [1] y límpiela.
3. Inserte la tapa del depósito de aceite/varilla medidora del nivel de aceite en el tubo de llenado de éste como se muestra, pero no la atornille, luego quítela para revisar el nivel de aceite.

4. Si el nivel de aceite está cerca o por debajo de la marca de límite bajo [2] de la varilla medidora del nivel de aceite, quite la tapa del depósito de aceite/varilla medidora del nivel de aceite y llénelo con el aceite recomendado hasta la marca de límite superior [3]. No llene de más.

5. Vuelva a instalar la tapa/varilla medidora del nivel de aceite.

Cambio de aceite

Ver F3 en la página 4.

Drene el aceite del motor cuando éste se encuentre caliente. El aceite caliente se drena rápida y completamente.

1. Gire la válvula de combustible a la posición CERRADA para disminuir la posibilidad de pérdida de combustible.
2. Coloque un recipiente adecuado cerca del motor para recoger el aceite usado.
3. Quite la tapa/varilla medidora del nivel de aceite [1] y drene el aceite al recipiente inclinando el motor hacia el tubo de llenado del aceite [4].

Elimine el aceite de motor usado de una forma que sea compatible con el medio ambiente. Le sugerimos que lleve el aceite usado en un recipiente sellado al centro de reciclaje local o estación de servicio para su recuperación. No lo tire a la basura ni vierta en el suelo o en el desagüe.

4. Con el motor en una posición nivelada, llene hasta la marca de límite [3] alto en la varilla medidora del nivel de aceite con el aceite recomendado (consulte más arriba).

NOTICE

Poner en marcha el motor con un nivel de aceite bajo puede causar daños en el motor.

5. Vuelva a instalar bien la tapa/varilla medidora del nivel de aceite.

FILTRO DE AIRE

El mantenimiento adecuado del filtro de aire ayudará a evitar que ingrese suciedad en el motor. La suciedad que ingresa en el carburador puede ser absorbida por pequeños conductos que se encuentran dentro de éste y ocasionar el desgaste prematuro del motor. Tales conductos pequeños pueden obstruirse, lo que provoca problemas de encendido o funcionamiento. Utilice siempre un filtro de aire específico para su motor, a fin de garantizar que se selle y funcione según fue diseñado.

AVISO

Operar el motor sin filtro o con el filtro dañado, permitirá que la suciedad entre al motor, causando un rápido desgaste de éste. Este tipo de daño no está cubierto por la GARANTÍA LIMITADA DE SU DISTRIBUIDOR.

Inspección

Ver F4 en la página 4.

1. Presione las lengüetas de enganche [1] de la parte superior de la cubierta del filtro de aire [2] y quítela. Revise el filtro [3] para asegurarse que está limpio y en buen estado.
2. Vuelva a instalar el filtro de aire y su cubierta.

Limpieza

Ver F4 en la página 4.

1. Golpee ligeramente el filtro varias veces sobre una superficie dura para quitar la suciedad o sople aire comprimido [que no sobrepase las 207 kPa a través del filtro desde el lado limpio que enfrenta al motor. Nunca intente quitar la suciedad con una escobilla. El escobillado forzaré la suciedad dentro de las fibras.

2. Limpie la suciedad del cuerpo y de la cubierta del filtro de aire [4] usando una alfombrilla húmeda. Tenga cuidado de evitar que la suciedad entre al conducto de aire [5] que lleva al carburador.

BUJÍA

Ver F5 en la página 4.

Bujía de encendido requerida:

- | | |
|--------------|----------------------------------|
| NGK - BPR6ES | aplicaciones de lavado a presión |
| NGK - BPR5ES | demás aplicaciones |

La bujía necesario tiene la gama térmica correcta para las temperaturas normales de funcionamiento del motor.

AVISO

Las bujías incorrectas pueden causar daños en el motor.

Para un buen funcionamiento, la bujía debe estar adecuadamente abierta y libre de depósitos.

1. Desconecte el capuchón de la bujía y retire cualquier suciedad del área de ésta.
2. Use la llave de bujías [1] del tamaño adecuado para extraerla.
3. Inspeccione la bujía. Reemplácela si está dañada, muy sucia, si la abrazadera [2] está en mal estado o si el electrodo está desgastado.
4. Mida la separación de las puntas del electrodo con un medidor adecuado. La separación correcta es 0,70 – 0,80 mm. Si es necesario un ajuste, corrija la separación doblando cuidadosamente el electrodo lateral.
5. Instale la bujía cuidadosamente, a mano, para evitar un mal enrosque.
6. Después que la válvula está asentada, apriétela con la llave de bujías del tamaño adecuado para comprimir la junta.

Cuando instale una bujía nueva, apriete 1/2 giro después que la bujía se asienta para comprimir la junta.

Cuando vuelva a instalar la bujía original, apriete de 1/8 a 1/4 de giro después que la bujía se asienta para comprimir la junta.

NOTICE

Apriete la bujía adecuadamente. Una bujía suelta puede calentarse demasiado y dañar el motor. El apriete excesivo de la bujía puede dañar las roscas en la culata.

7. Coloque el capuchón de la bujía.

INSPECCIÓN DEL FRENO DEL VOLANTE (donde se aplica)

Ver F6, F7 en la página 4.

1. Retire las tres tuercas de brida [1] del arrancador manual [2] y extráigalo del el motor.
2. Extraiga el tanque de combustible [3] del motor sin desconectar el tubo [4]. Si el tanque contiene combustible, manténgalo nivelado mientras lo extrae y déjelo a un lado del motor en una posición nivelada.
3. Compruebe el espesor de la zapata del freno [5]. Si es menor que 3 mm, lleve el motor al servicio técnico de su concesionario Honda autorizado.
4. Instale el tanque de combustible y el arrancador manual, y apriete bien las tres tuercas.

SUPRESOR DE CHISPAS (donde se aplica)

Ver F8 en la página 24.

En Europa, y en otros países donde se cumple con la directiva para maquinarias 2006/42/EC, esta limpieza debe realizarla un proveedor de servicios.

Se le debe realizar mantenimiento al parachispas cada 100 horas para que funcione de la manera diseñada.

Si el motor ha estado andando, el tubo de escape estará caliente. Permita que se enfríe antes de realizar el mantenimiento en el parachispas.

Desmontaje del supresor de chispas

1. Retire los tres pernos [1] de 6 mm del protector del silenciador [2] y extraiga el protector.
2. Retire el tornillo especial [3] del supresor de chispas [4] y extráigalo del silenciador [5].

Limpieza e inspección del supresor de chispas

1. Use un cepillo para quitar los depósitos de carbonilla de la pantalla del supresor de chispas. Tenga cuidado de no dañar la pantalla. Reemplace el supresor de chispas si tiene roturas u orificios.
2. La instalación del supresor de chispas se hace en el orden contrario del desmontaje.

ALMACENAJE DEL MOTOR

Una adecuada preparación del almacenaje es esencial para mantener al motor sin averías y con un buen aspecto. Los siguientes pasos ayudaran a que el óxido y la corrosión no afecten ni el funcionamiento ni la apariencia del motor, y harán que el motor arranque más fácilmente cuando lo vuelva a usar.

Limpieza

Si el motor ha estado en marcha, déjelo enfriar por al menos media hora antes de limpiarlo. Limpie todas las superficies exteriores, retoque cualquier pintura dañada y cubra con una fina capa de aceite otras áreas que se pueden oxidar.

AVISO

Usar una manguera de jardín o un equipo de lavado a presión puede forzar agua dentro de las aberturas de filtro de aire y del silenciador. El agua en el filtro de aire lo empapará y el agua que pase a través del filtro de aire o del silenciador puede entrar al cilindro, causando daños.

Combustible

AVISO

Según la región en la que se vaya a usar el equipo, es posible que los combustibles se deterioren y oxiden con rapidez. El deterioro y la oxidación del combustible pueden producirse incluso antes de 30 días y pueden dañar el carburador y el sistema de combustible. Pida a su proveedor de mantenimiento que le indique cuáles serían las condiciones óptimas de almacenamiento en la región.

La gasolina en almacenaje se oxida y se deteriora. La gasolina deteriorada causará un arranque difícil y deja depósitos de chicle que obstruyen el sistema de combustible. Si la gasolina en el motor se deteriora durante el almacenaje, puede que sea necesario realizar el servicio o reemplazar el carburador y demás componentes del sistema de combustible.

El tiempo que la gasolina puede permanecer en el tanque de combustible y en el carburador sin causar problemas de funcionamiento variará con factores tales como la mezcla de la gasolina, las temperaturas de almacenaje y si el tanque de combustible está parcial o completamente lleno. El aire en un tanque parcialmente lleno promueve el deterioro del combustible. Las temperaturas de almacenaje muy cálidas aceleran el deterioro del combustible. Se pueden producir problemas con el combustible dentro de meses o incluso en menor tiempo si la gasolina no estaba fresca cuando usted llenó el tanque de combustible.

Si usted tiene una lata de gasolina para repostar, asegúrese de que sólo contenga gasolina nueva.

El combustible del recipiente de almacenamiento demora más de 3 meses en consumirse; sugerimos agregar un estabilizador al combustible cuando llene el recipiente.

Los daños al sistema de combustible o los problemas de funcionamiento del motor resultantes de la negligencia en la preparación del almacenaje, no están cubiertos por la garantía de su motor.

Almacenamiento a corto plazo (de 30 a 90 días)

Si el equipo no se utilizará durante un período de entre 30 y 90 días, recomendamos las siguientes pautas para evitar problemas relacionados con el combustible.

1. Añada estabilizador de gasolina siguiendo las instrucciones del fabricante.

Cuando añada un estabilizador de combustible, llene el tanque con gasolina fresca. Si solamente llena parcialmente el tanque, el aire en dicho tanque acelerará el deterioro del combustible durante el almacenamiento.

Nota:

- Todos los estabilizadores tienen una vida útil, y su rendimiento se deteriora con el tiempo.
- Los estabilizadores no reconstituyen el combustible que está en malas condiciones.

2. Después de añadir un estabilizador de gasolina, haga funcionar el motor al aire libre durante diez minutos para asegurarse de que la gasolina tratada haya reemplazado la gasolina sin tratar en el sistema de combustible.

3. Apague el motor y cierre la válvula de combustible.

4. Arranque el motor y seguir en marcha el motor hasta que se pare por falta de combustible en la taza de combustible del carburador. El tiempo de funcionamiento debe ser menor que 3 minutos.

Almacenamiento a largo plazo o estacional (superior a los 90 días)

Encienda el motor y permita que funcione el tiempo suficiente para agotar toda la gasolina del sistema total de combustible (incluido el tanque de combustible). No permita que la gasolina permanezca en el motor durante más de 90 días de inactividad.

Aceite del motor

1. Cambie el aceite del motor (ver página 28).
2. Retire la bujía (ver página 28).
3. Vierta 5 ~ 10 cc de aceite de motor limpio en el cilindro.
4. Tire del arrancador manual varias veces para distribuir el aceite.
5. Vuelva a instalar la bujía.

Precauciones del almacenaje

Si el motor va a ser almacenado con gasolina en el tanque de combustible y en el carburador, es importante disminuir el peligro del encendido de los vapores de la gasolina. Seleccione un área de almacenaje bien ventilada lejos de cualquier aparato que funcione con fuego, como una caldera, un calentador de agua o un secador de ropa. Evite también cualquier área con un motor eléctrico que produzca chispas o donde funcionen herramientas mecánicas.

Si es posible, evite áreas de almacenaje con una alta humedad, porque promueve el óxido y la corrosión.

Si hay gasolina en el tanque de combustible, deje la válvula de combustible en la posición CERRADA.

Mantenga el motor nivelado en el almacenaje. La inclinación puede causar pérdidas de combustible o de aceite.

Cuando el motor y el sistema de escape estén fríos, cubra el motor para protegerlo del polvo. Un motor y un sistema de escape calientes pueden encender o derretir algunos materiales. No use láminas de plástico como cubierta guardapolvo. Una cubierta no porosa atraparà la humedad alrededor del motor, promoviendo el óxido y la corrosión.

Retiro del almacenaje

Compruebe el motor según se describe en la sección **COMPROBACIONES ANTES DE LA OPERACIÓN** de este manual (voir página 24).

Si se drenó el combustible durante la preparación del almacenaje, llene el tanque con gasolina fresca. Si usted mantiene un recipiente con gasolina para el reabastecimiento, asegúrese que sólo contiene gasolina fresca. La gasolina se oxida y deteriora con el tiempo, causando dificultades en el arranque.

Si cubrió el cilindro con aceite durante la preparación del almacenaje, el motor brevemente lanzará humo al arrancar. Esto es normal.

TRANSPORTE

Mantenga nivelado el motor al transportarlo para disminuir la posibilidad de pérdida de combustible. Gire la válvula de combustible a la posición CERRADA.

Repase en las instrucciones incluidas con este equipo motorizado cualquier procedimiento que deba seguirse durante el transporte.

OCUPARSE DE PROBLEMAS INESPERADOS

El motor no arranca

CAUSA POSIBLE	CORRECCIÓN
Válvula de combustible CERRADA.	Mueva la palanca a la posición ABIERTA.
Cebador CERRADO.	Mueva la palanca del cebador/acelerador, la varilla del cebador o la palanca del cebador a la posición CEBADOR ABIERTO a menos que el motor esté caliente.
Interruptor de encendido o interruptor de paro del motor en la posición de APAGADO (OFF).	Mueva la palanca del freno del motor a la posición MARCHA. (Palanca del acelerador a la posición RÁPIDO. Interruptor de paro del motor a la posición de ENCENDIDO (ON))
Se acabó el combustible.	Reabastecer.
Combustible malo, motor almacenado sin tratar, o reabastecido con gasolina mala.	Reabastezca con gasolina fresca.
Bujía defectuosa, sucia o con una abertura inadecuada.	Cambie la bujía (página 29).
Bujía mojada con combustible (motor ahogado).	Seque y vuelva a instalar la bujía. Arranque el motor con la palanca del cebador/acelerador en la posición RÁPIDO. (Posición del cebador CERRADA.)
Filtro de combustible bloqueado, mal funcionamiento del carburador, del encendido, válvulas trabadas, etc.	Reemplace o repare los componentes defectuosos según sea necesario.

El motor no tiene potencia suficiente

CAUSA POSIBLE	CORRECCIÓN
Filtro bloqueado.	Limpie o reemplace el filtro (página 28).
Combustible malo, motor almacenado sin tratar, o reabastecido con gasolina mala.	Reabastezca con gasolina fresca.
Filtro de combustible bloqueado, mal funcionamiento del carburador, del encendido, válvulas trabadas, etc.	Reemplace o repare los componentes defectuosos según sea necesario.

INFORMACIÓN TÉCNICA

Ubicación del número de serie y del tipo

Registre el número de serie y tipo de motor en el espacio a continuación. Necesitará esta información al pedir piezas o cuando realiza averiguaciones técnicas o sobre la garantía.

MODELO	NÚMERO DE SERIE	TIPO DE MOTOR
GSV160, 190	_____	_____
Fecha de adquisición	_____	

Modificaciones al carburador para funcionamiento en altitud elevada

En altitud elevada, la mezcla estándar aire combustible del carburador es muy rica. El rendimiento disminuye y aumenta el consumo de combustible. Una mezcla muy rica también ensucia la bujía y causa un arranque difícil. El funcionamiento, por largos períodos, a una altitud que difiere para la que este motor está certificado, puede aumentar las emisiones.

El rendimiento a una altitud elevada se puede mejorar con modificaciones específicas al carburador. Si siempre opera el motor a altitudes por sobre los 1.500 metros, haga que el servicio técnico de su concesionario lleve a cabo esta modificación del carburador. Este motor, cuando funciona a una altitud elevada con las modificaciones en el carburador para esas altitudes, cumple cada estándar de emisiones a lo largo de su vida útil.

Incluso con la modificación en el carburador, la potencia del motor disminuye cerca de un 3,5% por cada 300 metros de aumento en la altitud. El efecto de la altitud en la potencia será mayor que esto si no se modifica el carburador.

AVISO

Cuando se modifica el carburador para un funcionamiento a una altitud elevada, la mezcla aire combustible es muy pobre para un uso a altitud normal. El funcionamiento a altitudes por debajo de los 1.500 metros con un carburador modificado puede causar el sobrecalentamiento del motor y tener como resultado graves daños en el motor. Para un uso a altitudes normales, haga que el servicio técnico de su concesionario vuelva al carburador a las especificaciones originales de fábrica.

Especificaciones

GSV160

Largo x Ancho x Alto	370 x 342 x 360 mm
Peso en seco (sin combustible ni lubricantes)	12,8 kg
Tipo de motor	4 tiempos, árbol de levas en cabeza, monocilíndrico
Desplazamiento [Diámetro x Carrera]	64 x 50 mm [160 cm ³]
Capacidad de aceite del motor	0,50 L
Capacidad del tanque de combustible	0,91L
Consumo de combustible	1,1 L/h a 3.000 rpm
Sistema de enfriamiento	Aire forzado
Sistema de encendido	Magneto transistorizado
Rotación del eje PTO	Sentido contrario a las agujas del reloj

GSV190

Largo x Ancho x Alto	370 x 342 x 360 mm
Peso en seco (sin combustible ni lubricantes)	13,5 kg
Tipo de motor	4 tiempos, árbol de levas en cabeza, monocilíndrico
Desplazamiento [Diámetro x Carrera]	186 cm ³ 69 x 50 mm
Capacidad de aceite del motor	0,50 L
Capacidad del tanque de combustible	0,91 L
Consumo de combustible	1,3 L/h a 3.000 rpm
Sistema de enfriamiento	Aire forzado
Sistema de encendido	Magneto transistorizado
Rotación del eje PTO	Sentido contrario a las agujas del reloj
Sistema de carga:	freno de cuchillas
	freno de volante
	12 VDC, 0.15 A min. a 2.900 rpm
	12 VDC, 0.20 A min. a 2.900 rpm

Especificaciones de afinamiento

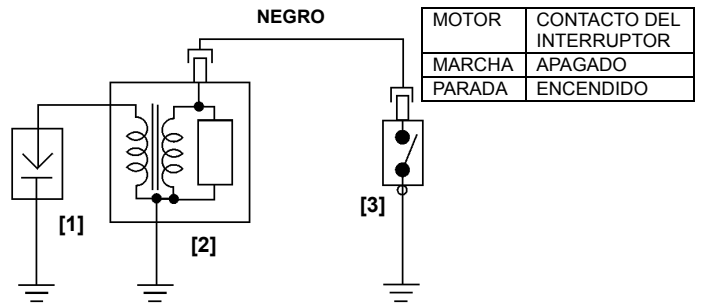
ARTÍCULO	ESPECIFICACIONES	MANTENIMIENTO
Abertura de la bujía	0,7 – 0,8 mm	Consulte la página 29.
Holgura de la válvula (frío)	ADM: 0,15 ± 0,04 mm ESC: 0,20 ± 0,04 mm	Consulte con su concesionario Honda autorizado
Otras especificaciones	No se necesita otros ajustes.	

Información de referencia rápida

ÍTEM	DESCRIPCIÓN	NOTA
Combustible	Tipo	Gasolina sin plomo con un octanaje de 91 o superior (página 27).
Aceite del motor	Tipo	SAE 10W-30, API SJ, para uso general. Consulte la página 28. * Cantidad de relleno : 0.35 ~ 0.40 L
Carburador	Ralentí	1700 ± 150 rpm
Bujía	Tipo	NGK BPR6ES (aplicaciones de lavado a presión) NGK BPR5ES (demás aplicaciones)
Mantenimiento	Antes de cada uso	Compruebe el nivel de aceite del motor. Consulte página 28. Compruebe el filtro de aire. Consulte página 28.
	Primeras 5 horas	Cambie el aceite del motor. Consulte la página 28.
	Posterior	Consulte el programa de mantenimiento en la página 27.

* La cantidad real variará debido al aceite residual que permanezca en el motor. Use siempre la varilla indicadora de nivel para (página 28).

Diagrama del cableado



[1]	BUJÍA
[2]	BOBINA DE ENCENDIDO
[3]	INTERRUPTOR DE PARO DEL MOTOR

INFORMACIÓN AL CONSUMIDOR

Publicaciones Honda

Estas publicaciones le entregarán información adicional para el mantenimiento y la reparación del motor. Puede pedirlos al servicio técnico de un concesionario Honda autorizado.

Manual del taller	Este manual cubre todos los procedimientos de mantenimiento y examinación. El objetivo es que los use un técnico adiestrado.
Catálogo de piezas	Este manual proporciona listas completas e ilustradas de las piezas.

Información para encontrar distribuidores/concesionarios

Visite nuestro sitio en la Web: honda-engines-eu.com

Información de servicio de clientes

El personal de los concesionarios de servicio son profesionales entrenados. Ellos podrán contestar a cualquier pregunta que usted les haga. Si se encuentra con un problema que su concesionario no puede resolver para dejarle satisfecho, comuníquese al jefe del concesionario. El jefe de servicio, el director general, o el propietario podrán ayudarle. Casi todos los problemas se resuelven de este modo.

Oficinas Honda

Cuando escriba o llame, tenga la amabilidad de incluir la información siguiente:

- Nombre del fabricante y número de modelo del equipo al que se ha montado el motor
- Modelo, número de serie, y tipo del motor
- Nombre del concesionario que le vendió el motor
- Nombre, dirección, y persona de contacto del concesionario que realiza el servicio de su motor
- Fecha de adquisición
- Su nombre, dirección y número de teléfono
- Una descripción detallada del problema

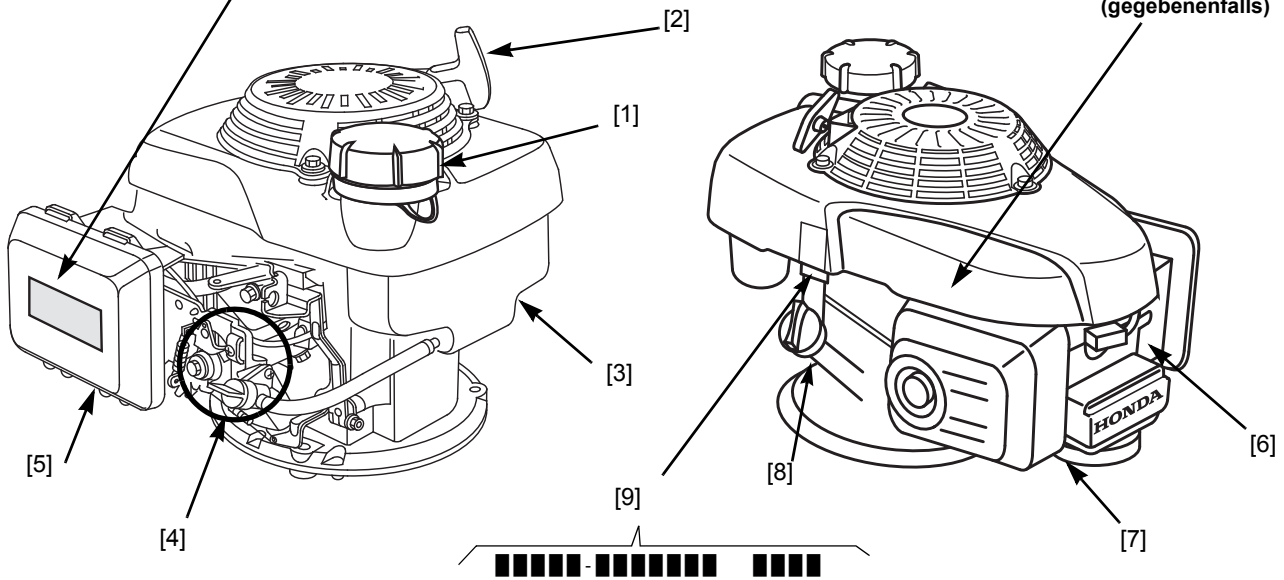
BEDIENUNGSANLEITUNG

(Originalbetriebsanleitung)

GSV160 • GSV190



(Das Erscheinungsbild kann in der endgültigen Anwendung unterscheiden)



LAGE VON KOMPONENTEN

1	Einfüllstutzendeckel
2	Startergriff
3	Kraftstofftank
4	Motorbedienung *
5	Luftreiniger

6	Zündkerze
7	Schalldämpfer
8	Öleinfüllstutzendeckel ölmessstab
9	Seriennummer typ

* Die Bedienungselemente sind je nach Motortyp verschieden. Ihren Bedienungstyp ersehen Sie aus den folgenden Diagrammen (Seite 2, 3); den Typ benötigen Sie zum Verstehen der Anweisungen im Abschnitt *Betrieb* usw. im Handbuch.

EINLEITUNG

Wir freuen uns, dass Sie einen Honda-Motor gekauft haben. Wir wollen Ihnen dabei behilflich sein, das Beste aus Ihrem neuen Motor herauszuholen und ihn gefahrlos zu betreiben. Informationen dazu finden Sie in diesem Handbuch; lesen Sie es bitte sorgfältig durch, bevor Sie den Motor in Betrieb nehmen. Bei Problemen oder Fragen zum Motor wenden Sie sich an einen offiziellen autorisierten Honda-Kundendienst.

Die Informationen in diesem Handbuch beruhen auf den neuesten Produktinformationen zur Zeit der Drucklegung. American Honda Motor Co., Inc. behält sich das Recht vor, Änderungen jederzeit ohne vorherige Ankündigung oder irgendwelche Verpflichtung vorzunehmen. Dieses Handbuch darf ohne schriftliche Genehmigung auch nicht auszugsweise reproduziert werden.

Betrachten Sie dieses Handbuch bitte als permanenten Teil des Motors; beim Weiterverkauf sollte es beim Motor bleiben.


Lesen Sie bitte auch die Anweisungen für das von diesem Motor angetriebene Gerät zu weiteren Informationen zum Starten, Abstellen, Betreiben, Einstellen und speziellen Wartungsvorschriften.

INHALT

SICHERHEITSHINWEISE	Seite 34
KONTROLLEN VOR DER INBETRIEBNAHME	Seite 34
BETRIEB	Seite 35
VORKEHRUNGEN ZUM SICHEREN BETRIEB	Seite 35
NUTZUNGSHÄUFIGKEIT	Seite 35
STARTEN/ABSTELLEN DES MOTORS (alle Typen)	Seite 35
WARTUNG IHRES MOTORS	Seite 36
SICHERHEIT BEI DER WARTUNG	Seite 37
WARTUNGSKALENDER	Seite 37
KRAFTSTOFF NACHFÜLLEN	Seite 37
MOTORÖL	Seite 38
LUFTREINIGER	Seite 38
ZÜNDKERZE	Seite 39
SCHWUNGRADBREMS-INSPEKTION	Seite 39
FUNKENFÄNGER (Wenn ausgestattet)	Seite 39
LAGERN DES MOTORS	Seite 39
TRANSPORT	Seite 40
UNVORHERGESEHENE PROBLEME LÖSEN	Seite 41
TECHNISCHE INFORMATIONEN	Seite 41
VERBRAUCHERINFORMATIONEN	Seite 42

SICHERHEITSHINWEISE

Wir wollen vor Allem sicherstellen, dass Sie und Andere nicht gefährdet werden. Deshalb haben wir wichtige Sicherheitshinweise in diesem Handbuch und am Motor vorgesehen. Lesen Sie diese bitte aufmerksam.

Diese Sicherheitshinweise machen Sie auf mögliche Gefahren aufmerksam, durch die Sie oder Andere verletzt werden könnten. Alle Sicherheitshinweise sind mit dem Sicherheitssymbol  und einem dieser drei Wörter gekennzeichnet: GEFAHR, WARNUNG, oder VORSICHT.

Diese Signalwörter bedeuten:

GEFAHR

Wenn Sie die Anweisungen nicht befolgen, werden Sie TÖDLICH oder SCHWER VERLETZT.

WARNUNG

Wenn Sie die Anweisungen nicht befolgen, können Sie TÖDLICH oder SCHWER VERLETZT werden.

VORSICHT

Wenn Sie die Anweisungen nicht befolgen, können Sie VERLETZT werden.

Jeder Hinweis teilt Ihnen mit, worum es sich bei der Gefahr handelt, was passieren kann und was Sie dazu tun können, Verletzungen zu vermeiden bzw. zu reduzieren.

SCHADENSVERHÜTUNGS-HINWEISE

Sie finden auch andere Hinweise, dienen mit dem Wort HINWEIS eingeleitet werden.

Dieses Wort bedeutet:

HINWEIS

Wenn Sie die Anweisungen nicht befolgen, kann Ihr Motor oder anderes Eigentum beschädigt werden.

Der Zweck dieser Hinweise ist es, Schäden an Ihrem Motor, anderem Eigentum und an der Umwelt zu vermeiden.

SICHERHEITSINFORMATIONEN

- Machen Sie sich mit der Funktionsweise aller Bedienungselemente und damit, wie man in Notfällen den Motor rasch abstellt, vertraut. Jeder, der das Gerät betreibt, muss ausreichend darüber unterrichtet werden.
- Kindern ist der Betrieb des Motors zu verbieten. Halten Sie Kinder und Tiere vom Betriebsbereich fern.
- Die Abgase Ihres Motors enthalten giftiges Kohlenmonoxid. Den Motor nicht ohne ausreichende Belüftung - und insbesondere nie in geschlossenen Räumen - betreiben.
- Beim Betrieb werden Motor und Auspuff sehr heiß. Mit dem Motor mindestens 1 Meter Abstand zu Gebäuden und anderen Geräten halten. Entflammbare Materialien fernhalten, und während des Betriebs nichts auf den Motor legen.

POSITION VON SICHERHEITSPLOKETTEN

Diese Plakette warnt Sie vor möglichen Gefahren, um ernsthafte Verletzungen vermeiden zu helfen. Lesen Sie sie bitte aufmerksam.

Wenn sich die Plakette abgelöst hat oder schwer leserlich geworden ist, wenden Sie sich an Ihren Honda-Wartungshändler, um einen Ersatz zu bekommen.

KONTROLLEN VOR DER INBETRIEBNAHME

IST IHR MOTOR BETRIEBSBEREIT?

Im Interesse Ihrer Sicherheit und zur Verlängerung der Nutzungsdauer Ihres Gerätes sollten Sie sich vor Inbetriebnahme des Motors unbedingt etwas Zeit nehmen, seinen Zustand zu überprüfen. Am besten beheben Sie eventuelle Probleme gleich oder lassen Sie von Ihrem Händler beseitigen, bevor Sie den Motor betreiben.

WARNUNG

Unzureichende Wartung des Motors oder Nichtbeheben eines Problems vor der Inbetriebnahme kann zu schweren oder tödlichen Verletzungen führen.

Vor der Inbetriebnahme stets eine Inspektion durchführen und etwaige Probleme beseitigen.

Vor den Kontrollen vor der Inbetriebnahme sicherstellen, dass der Motor waagrecht steht und sich der Schwungradbremshebel (Gashebel, Motorabstellschalter) in der Stellung AUS befindet.

Vor dem Starten des Motors stets folgende Punkte kontrollieren:

1. Kraftstoffstand (siehe Seite 40).
2. Ölstand (siehe Seite 38).
3. Luftreiniger (siehe Seite 38).
4. Generalinspektion: Auf Flüssigkeitslecks und lockere und beschädigte Teile überprüfen.
5. Das von diesem Motor angetriebene Gerät überprüfen.

Die Bedienungsanleitung des von diesem Motor angetriebenen Gerätes auf alle Vorsichtsmaßnahmen und Verfahren durchsehen, die vor dem Starten des Motors zu beachten sind.

BETRIEB

VORKEHRUNGEN ZUM SICHEREN BETRIEB

Bevor der Motor zum ersten Mal in Betrieb genommen wird, den Abschnitt *SICHERHEITSINFORMATIONEN* auf Seite 34 und die o.a. *KONTROLLEN VOR DER INBETRIEBNAHME* beachten.

Aus Sicherheitsgründen den Motor nicht in geschlossenen Räumen wie z.B. Garagen laufen lassen. Das Motorabgas enthält giftiges Kohlenmonoxid, das sich schnell in einem geschlossenen Raum ansammelt und zum Tode führen kann.

WARNUNG

Abgase enthalten giftiges Kohlenmonoxidgas, das in geschlossenen Bereichen gefährliche Konzentrationen erreichen kann. Das Einatmen von Kohlenmonoxid kann zu Bewusstlosigkeit oder zum Tod führen.

Motor niemals in geschlossenen oder auch nur teilweise geschlossenen Bereichen, wo sich möglicherweise Personen aufhalten, laufen lassen.

Die Bedienungsanleitung des von diesem Motor angetriebenen Gerätes auf alle Sicherheitsmaßnahmen durchsehen, die beim Starten, Abstellen und Betreiben des Motors zu befolgen sind.

Die Maschine nicht an Hängen mit einer Steigung über 20° betätigen.

NUTZUNGSHÄUFIGKEIT

Wenn der Rasenmäher nicht so häufig oder nur zwischendurch benutzt wird (mehr als 4 Wochen Pause nach dem letzten Rasenmähen), sind die Hinweise bezüglich der Kraftstoff-Qualitätseinbußen zu beachten, die im Kapitel *LAGERUNG* (Seite 40) im Abschnitt *Kraftstoff* zu finden sind.

STARTEN/ABSTELLEN DES MOTORS (alle typen)

Die Bedienungselemente sind je nach Motortyp verschieden. Ihren Bedienungstyp ersehen Sie aus den folgenden Diagrammen; den Typ benötigen Sie zum Verstehen der Anweisungen im Abschnitt *Betrieb* usw. im Handbuch (Seite 2,3).

- **Kraftstoffventil:** Kraftstoffventil [1] in die Stellung EIN drehen.
- **Manueller choke** (gegebenenfalls): Choke [1] in die Stellung EIN. (kalten motor).
Den Choke in die Stellung AUS bewegen sobald der Motor warm genug ist um ohne den Choke rund zu laufen.
- **Gasregelung:** Zum Erzielen der besten Motorleistung wird empfohlen, den Motor mit dem Gas Abstellhebel in der Stellung SCHNELL (oder hoch) zu betreiben.
- **Startergriff:** Leicht am Startergriff ziehen, bis ein Widerstand spürbar wird, dann kräftig ziehen.

HINWEIS

Der Startergriff darf nicht gegen den Motor zurückschnellen. Langsam zurückführen, damit der Starter nicht beschädigt wird.

- **Kaltstart:** Lassen Sie den Motor nach einem Kaltstart und vor dem Abschalten mindestens drei Minuten lang laufen, um ein einfaches Wiederanlassen und maximale Leistungsfähigkeit des Auto Choke System™ zu gewährleisten. Bei Temperaturen unter 21°C verlängert sich diese Mindestlaufzeit
- **Kraftstoffventil:** Kraftstoffventil in die Stellung AUS drehen. Wenn der Ausrüstung bis 4 Wochen lang nicht benutzt wird, empfehlen wir, den Vergaser am Motor laufen zu lassen, bis sämtlicher Kraftstoff verbraucht ist. Dazu lassen Sie das

Kraftstoffventil zuge dreht, starten den Motor und lassen ihn laufen, bis sämtlicher Kraftstoff verbraucht ist.

Typ 1: Schwungradbremse, Fernbedienungs-choke/gasregelung

STARTEN DES MOTORS

1. Den Gashebel so bewegen, dass sich der Choke-Gashebel* [2] in die Stellung CHOKE befindet.
2. Schwungrad Brems-bedienung so anordnen, dass sich der Schwungrad Bremshebel* [3] in der Stellung BETRIEB befindet.
3. Leicht am Startergriff ziehen, bis ein Widerstand spürbar wird, dann kräftig ziehen.
4. Bewegen den Choke/Gashebel* [2] in die Stellung SCHNELL (oder hoch) sobald der Motor warm genug ist, um ohne den Choke rund zu laufen.

MOTOR ABSTELLEN

1. Choke-Gasbedienung* [2] in die Stellung LANGSAM bewegen.
2. Schwungrad Bremshebel* [3] zum Abstellen des Motors freigeben.

Typ 2: Schwungradbremse, Automatisch Choke, Fernbedienungs Gasregelung

STARTEN DES MOTORS

1. Den Gashebel so bewegen, dass sich der Gashebel* [2] in die Stellung SCHNELL befindet.
2. Schwungrad Brems-bedienung* [3] so anordnen, dass sich der Schwungrad Bremshebel in der Stellung BETRIEB befindet.
3. Leicht am Startergriff ziehen, bis ein Widerstand spürbar wird, dann kräftig ziehen.

MOTOR ABSTELLEN

1. Choke-/Gasbedienung* [2] in die Stellung LANGSAM bewegen.
2. Schwungrad Bremshebel* [3] zum Abstellen des Motors freigeben.

Typ 3: Schwungradbremse, Automatischer Rückkehr Choke, Feste Gas

STARTEN DES MOTORS

1. Choke-Hebel in die Stellung Choke [2] bewegen.
2. Schwungradbremshebel [3] in die Stellung BETRIEB bewegen.
Der Choke-Hebel beginnt automatisch Umzug in die Position OFF, wenn das Schwungradbremshebel auf die RUN Position verschoben.

3. Leicht am Startergriff ziehen, bis ein Widerstand spürbar wird, dann kräftig ziehen.

Bei diesem Typ ist das Gas voreingestellt.

MOTOR ABSTELLEN

Schwungradbremshebel [3] freigeben, um die Schwungradbremse zu aktivieren und den Motor abzustellen.

Typ 4: Schwungradbremse, Automatischer Choke, Feste Gas

STARTEN DES MOTORS

1. Schwungradbremshebel* [2] in die Stellung BETRIEB bewegen.
2. Leicht am Startergriff ziehen, bis ein Widerstand spürbar wird, dann kräftig ziehen.

MOTOR ABSTELLEN

Schwungradbremshebel [3] freigeben, um die Schwungradbremse zu aktivieren und den Motor abzustellen.

* Siehe Gerätehandbuch.

Typ 5: Messerbremskupplung, Fernbediente Choke/gasregelung

STARTEN DES MOTORS

1. Choke-/Gas-/Abstellhebel* [2] in die Stellung CHOKE bewegen.
2. Sicherstellen, dass der Bedienungshebel* der Messerbremse Kupplung ausgerückt ist.
3. Leicht am Startergriff ziehen, bis ein Widerstand spürbar wird, dann kräftig ziehen.
4. Sobald der Motor startet, den Choke-/Gas-/Abstellhebel* [2] langsam in die Stellung SCHNELL bewegen dann den Bedienungshebel der Messerbremskupplung einrücken*.

MOTOR ABSTELLEN

1. Bedienungshebel der Messerbremskupplung ausrücken*.
2. Choke-/Gas-/Abstellhebel in die Stellung LANGSAM bewegen und den Motor ein paar Sekunden im Leerlauf laufen lassen und in die Stellung STOPP bewegen.

Typ 6: Messerbremskupplung, Automatisch Choke, Fernbedienungs-gasregelung

STARTEN DES MOTORS

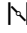

1. Siehe Gerätehandbuch; den Gashebel* [2] so bewegen, dass sich der Gashebel in die Stellung SCHNELL befindet.
2. Sicherstellen, dass der Bedienungshebel* der Messerbremse Kupplung ausgerückt ist.
3. Leicht am Startergriff ziehen, bis ein Widerstand spürbar wird, dann kräftig ziehen.
4. Sobald der Motor startet, den Choke-/Gas-/Abstellhebel* [3] langsam in die Stellung SCHNELL bewegen dann den Bedienungshebel der Messerbremskupplung einrücken*.

MOTOR ABSTELLEN


1. Bedienungshebel der Messerbremskupplung ausrücken*.
2. Choke-/Gas-/Abstellhebel [2] in die Stellung LANGSAM bewegen und den Motor ein paar Sekunden im Leerlauf laufen lassen und in die Stellung STOPP bewegen.

Typ 7: Manueller Choke, Manuelle Gasregelung

STARTEN DES MOTORS

1. Choke-Hebel [2] in die Stellung EIN  bewegen.
2. Gashebel [2] in die Stellung SCHNELL  bewegen.
3. Leicht am Startergriff ziehen, bis ein Widerstand spürbar wird, dann kräftig ziehen.
4. Den Choke-Hebel in die Stellung AUS bewegen, sobald der Motor warm genug ist, um ohne den Choke rund zu laufen.

MOTOR ABSTELLEN

Gashebel in die Stellung LANGSAM bewegen Gashebel in die Stellung STOPP bewegen .

Typ 8: Manueller Choke, Feste Gas, Motorabstellschalter

STARTEN DES MOTORS

1. Choke-Stange [2] in die Stellung EIN (N) schieben.
2. Motorabstellschalter [3] in die Stellung EIN (ON) drehen.
3. Leicht am Startergriff ziehen, bis ein Widerstand spürbar wird, dann kräftig ziehen.

4. Wenn der Motor mit Hilfe des Chokes gestartet wurde, den Choke-Stange in die Stellung AUS bewegen, sobald der Motor warm genug ist, um ohne den Choke rund zu laufen.

Bei diesem Typ ist die Motordrehzahl voreingestellt.

MOTOR ABSTELLEN

Motorschalter [3] in die Stellung AUS (OFF) bewegen.

Typ 9: Manueller Choke, Auto Gasregelung, Motorabstellschalter

STARTEN DES MOTORS

1. Choke-Stange [2] in die Stellung EIN (N) schieben.
2. Motorabstellschalter [3] in die Stellung EIN (ON) drehen.
3. Leicht am Startergriff ziehen, bis ein Widerstand spürbar wird, dann kräftig ziehen.
4. Den Choke-Stange in die Stellung AUS bewegen, sobald der Motor warm genug ist, um ohne den Choke rund zu laufen.

Die automatische Drosselklappe Feature funktioniert nur, wenn der Motor warm ist voll.

MOTOR ABSTELLEN

1. Entfernen Sie die Last vom Motor, so dass das AutoGas gibt der Motor im Leerlauf.
2. Motorschalter [3] in die Stellung AUS (OFF) bewegen.

* Siehe Gerätehandbuch.

WARTUNG IHRES MOTORS

SO WICHTIG IST WARTUNG

Gute Wartung ist unabdingbar für sicheren, wirtschaftlichen und störungsfreien Betrieb. Sie verringert auch die Umweltbelastung.

WARNUNG

Unzureichende Wartung des Motors oder Nichtbeheben eines Problems vor der Inbetriebnahme kann zu schweren oder tödlichen Verletzungen führen. Stets die Inspektions- und Wartungsempfehlungen und pläne in diesem Benutzerhandbuch befolgen.

Damit Sie Ihrem Motor die richtige Pflege angedeihen lassen können, finden Sie im Folgenden einen Wartungsplan, Routineinspektions- und einfache Wartungsverfahren mit einfachen Werkzeugen. Andere, schwierigere Servicearbeiten, die evtl. Spezialwerkzeuge erfordern, überlässt man am besten Fachleuten; normalerweise werden diese von einem Honda-Mechaniker oder einem anderen qualifizierten Mechaniker ausgeführt.

Der Wartungsplan gilt für normale Betriebsbedingungen. Wenn Sie Ihren Motor unter erschwerten Bedingungen betreiben, wie z.B. bei andauernder Vollast, hohen Temperaturen oder unter außergewöhnlich nassen oder staubigen Bedingungen, wenden Sie sich an Ihren Kundendienst um Empfehlungen für Ihre individuellen Bedürfnisse und Anwendungen.

Vergessen Sie nie, dass ein autorisierter Honda-Kundendienst Ihren Motor am Besten kennt und zu seiner Wartung und Reparatur komplett ausgestattet ist.

Für beste Qualität und Zuverlässigkeit bei Reparaturen und Wechseln nur neue, echte Honda-Ersatzteile oder diesen gleichwertige Teile verwenden.

SICHERHEIT BEI DER WARTUNG

Es folgen einige der wichtigsten Sicherheitsvorkehrungen. Wir können Sie jedoch nicht vor jeder möglichen Gefahr bei der Durchführung von Wartungsarbeiten warnen. Nur Sie können entscheiden, ob Sie eine bestimmte Arbeit durchführen sollten oder nicht.

⚠️ WARNUNG

Wenn Sie diese Wartungsanweisungen und Sicherheitsvorkehrungen nicht richtig befolgen, kann dies zu schweren oder tödlichen Verletzungen führen. Befolgen Sie stets die Verfahren und Vorkehrungen aus diesem Benutzerhandbuch.

SICHERHEITSVORKEHRUNGEN

- Überzeugen Sie sich vor Wartungs- und Reparaturarbeiten davon, dass der Motor abgestellt ist. Dies beseitigt mehrere potentielle Risiken:
 - Kohlenmonoxidvergiftung durch Abgase.**
Sorgen Sie für ausreichende Belüftung beim Betrieb des Motors.
 - Verbrennungen durch heiße Teile.**
Lassen Sie Motor und Auspuff abkühlen, bevor sie diese berühren.
 - Verletzungen durch sich bewegende Teile.**
Motor nur laufen lassen, wenn dies ausdrücklich vorgeschrieben ist.
- Lesen Sie die Anweisungen, bevor Sie mit der Arbeit beginnen und stellen Sie sicher, dass Sie die notwendigen Werkzeuge und Fertigkeiten haben.
- Zur Reduzierung des Brand- und Explosionsrisikos vorsichtig sein, wenn Sie in der Nähe von Benzin arbeiten. Nur nicht-entflammbare Lösungsmittel - und nicht etwa Benzin - zum Reinigen von Teilen verwenden. Nicht mit Zigaretten, Funken und offenen Flammen in der Nähe von Teilen hantieren, die mit Kraftstoff in Berührung kommen.

WARTUNGSKALENDER

Die Wartung muß in den folgenden Zeitabständen ausgeführt werden, die in Monaten oder Betriebsstunden angeführt sind, wobei jeweils das kürzere Intervall maßgebend ist. ⁽¹⁾

Punkt	Arbeiten	Page
Vor jedem Einsatz	Kontrollieren: Motoröl Kontrollieren: Luftfilter	Seite 38 Seite 38
Ersten Monat oder 5 Std	Wechseln: Motoröl	Seite 38
Alle 3 Monate oder 25 Std	Säubern: Luftfilter ⁽²⁾	Seite 38
Alle 6 Monate oder 50 Std	Wechseln: Motoröl ⁽³⁾ Säubern: Luftfilter ⁽²⁾ Kontrollieren: Schwungradbremsbelag (falls vorhanden)	Seite 38 Seite 38 Seite 39

Punkt	Arbeiten	Page
Jedes Jahr oder 100 Std	6 Monate oben aufgeführten Punkte plus: Kontrollieren-einstellen: Zündkerze Säubern: Funkenfänger (falls vorhanden) ⁽⁶⁾ Kontrollieren: Messerbrems (falls vorhanden) Kontrollieren-einstellen: Leerlauf-Drehzahl Säubern: Kraftstofftank und -filter Kontrollieren-einstellen: Ventilspiel	Seite 39 Seite 39 (5) (4) (4) (4)
Alle 2 Jahre oder 200 Std	Jährlich oben aufgeführten Punkte plus: Wechseln: Luftfilter Wechseln: Zündkerze	Seite 38 Seite 39
Alle 2 Jahre	Kontrollieren: Kraftstoffleitung (bei Bedarf ersetzen)	(4)

- Bei kommerzieller Verwendung zur Bestimmung der richtigen Wartungsintervalle die Betriebsstunden aufzeichnen.
- Motor bei Verwendung in staubiger Umgebung häufiger warten.
- Bei hoher Belastung und bei hohen Außentemperaturen das Motoröl alle 25 Std. wechseln.
- Diese Punkte sollten von einem autorisierten Honda-Kundendienst durchgeführt werden; es sei denn, Sie haben die richtigen Werkzeuge und Talent als Mechaniker. Siehe Honda-Reparaturhandbuch zu den Serviceverfahren.
- Siehe Gerätehandbuch oder Honda-Motor-Reparaturhandbuch. Eine Nichtbeachtung des Wartungsplans kann zu Ausfällen führen, die von der Garantie nicht abgedeckt sind.
- In Europa und anderen Ländern, in denen die Maschinenrichtlinie 2006/42/EG gilt, muss diese Reinigung durch Ihren Servicehändler vorgenommen werden.

Eine Nichtbeachtung des Wartungsplans kann zu Ausfällen führen, die von der Garantie nicht abgedeckt sind.

KRAFTSTOFF NACHFÜLLEN

Dieser Motor ist auf bleifreies Benzin mit einer Research-Oktananzahl von 91 oder höher ausgelegt.

Wir empfehlen Ihnen, nach jedem Gebrauch wieder vollzutanken, damit möglichst wenig Luft im Kraftstofftank ist.

Bei niedrigem Benzinstand bei ausgeschaltetem Motor in einem gut belüfteten Bereich nachtanken. Einen warmen Motor vor dem Nachtanken abkühlen lassen. Den Motor niemals in einem Raum tanken, in dem die Gefahr besteht, dass sich Benzindämpfe durch eine offene Flamme oder durch Funken entzünden können.

Sie können unverbleites Normal-Benzin, welches maximal 10 Volumprozent Äthanol (E10) oder 5 Volumprozent Methanol enthält, verwenden. Zusätzlich muss das Methanol Cosolvent-Lösemittel und Korrosions-Hemmstoffe enthalten. Die Verwendung von Treibstoffen mit mehr als den oben angegebenen Äthanol- und Methanol-Anteilen kann Startschwierigkeiten und eine Leistungsverminderung verursachen. Es können auch Metall-, Gummi- und Kunststoffteile des Treibstoffsystems beschädigt werden. Davon abgesehen ist Ethanol hygroskopisch. Das bedeutet, es zieht Wasser an und bindet es im Kraftstoffsystem. Motorschäden und Leistungsverminderung auf Grund der Verwendung eines Treibstoffs mit mehr als den oben angegebenen Äthanol- und Methanol-Anteilen sind nicht durch die Garantie abgedeckt.

Wenn Ihr Gerät nicht häufig oder episodisch genutzt werden soll, (über 4 Wochen Nutzungspause) lesen Sie bitte die Angaben zur Qualitätsminderung von Kraftstoff im Abschnitt Kraftstoff des Kapitels LAGERUNG (Seite 40).

Verwenden Sie nie abgestandenes oder verschmutztes Benzin und/oder Öl-/Benzinmischung. Achten Sie darauf, dass weder Schmutz noch Wasser in den Kraftstofftank gelangt.

⚠️ WARNUNG

Benzin ist leicht entzündlich und explosiv, und Sie können sich beim Nachfüllen von Benzin verbrennen oder schwer verletzen.

- Motor abstellen und von Hitze, Funken und offenem Feuer Abstand halten.
- Benzin nur im Freien nachfüllen.
- Vergossenes Benzin sofort aufwischen.

Benzin

Siehe F1 auf Seite 4.

1. Kraftstofftankdeckel abnehmen.
2. Kraftstoff bis an den unteren Rand der max. Markierung im Kraftstofftankstutzen nachfüllen. Nicht überfüllen [1]. Verschüttetes Benzin vor dem Starten des Motors aufwischen.
3. Den Deckel des Treibstofftanks befestigen den Deckel gut festschrauben.

Den Rasenmäher vor dem Anlassen des Motors mindestens 3 meter von der Tankstelle wegbewegen.

HINWEIS

Kraftstoff kann Lack und einige Kunststoffarten angreifen. Achten Sie darauf, dass Sie beim Nachfüllen keinen Kraftstoff verschütten. Durch verschüttetes Benzin verursachte Schäden sind nicht in der GARANTIE FÜR IHREN MOTOR EINGESCHLOSSEN.

Kraftstoffbehälter

Lagern Sie den Kraftstoff in einem sauberen und dicht verschlossenen Behälter, der für die Kraftstofflagerung zugelassen ist. Schließen Sie die Entlüftung (sofern vorgesehen), wenn kein Kraftstoff verwendet wird, und bewahren Sie den Behälter vor direktem Sonnenlicht geschützt auf. Wenn es mehr als 3 Monate dauert, bis der gesamte Kraftstoff im Behälter verbraucht ist, raten wir dazu, einen Kraftstoffstabilisator in den Kraftstoff zu geben, wenn der Behälter aufgefüllt wird.

Wenn am Ende der Saison noch Kraftstoff im Behälter übrig ist, empfiehlt die US-Umweltschutzbehörde EPA, den Kraftstoff in den Benzintank Ihres Autos zu füllen.

MOTORÖL

Öl ist ein wichtiger Faktor, der die Leistung und Nutzungsdauer beeinflusst. Verwenden Sie Kfz-Viertaktöl mit Detergentzusatz.

Empfohlenes Öl

Siehe F 2 auf Seite 4.

Ein 4-Takt-Motoröl - oder ein Äquivalent - verwenden, das mindestens die Anforderungen der API-Serviceklasse SJ erfüllt. Stets das API-Serviceetikett auf dem Ölbehälter kontrollieren, um sicherzugehen, dass es die Buchstaben SJ - oder ein Äquivalent - enthält.

SAE 10W-30 wird zur allgemeinen Verwendung empfohlen. Andere in der Tabelle genannte Viskositätsgrade können verwendet werden, wenn die Durchschnittstemperatur bei Ihnen innerhalb des angegebenen Bereichs liegt.

Ölstand kontrollieren

Siehe F2,3 auf Seite 4.

1. Öl am abgestellten und waagerechten Motor kontrollieren.

2. Öleinfüllstutzendeckel/Ölmessstab [1] abnehmen und sauberwischen.
3. Öleinfüllstutzendeckel/Ölmessstab wie abgebildet in den Öleinfüllstutzen einsetzen, ohne ihn einzuschrauben, und ihn dann abnehmen, um den Ölstand zu kontrollieren.
4. Wenn der Ölstand an der oder unter der Untergrenze [2] am Messstab liegt, den Öleinfüllstutzendeckel/Ölmessstab abnehmen und bis zur Obergrenze [3] mit empfohlenem Öl nachfüllen. Nicht überfüllen.
5. Öleinfüllstutzendeckel/Ölmessstab [1] wieder aufsetzen.

ÖLWECHSEL

Siehe F3 auf Seite 4.

Motoröl bei warmem Motor ablassen. Warmes Öl läuft schnell und vollständig ab. Altöl mit einem geeigneten Behälter auffangen.

1. Kraftstoffventil in die Stellung AUS stellen, damit kein Kraftstoff auslaufen kann.
2. Altöl mit einem geeigneten Behälter auffangen.
3. Öleinfüllstutzen Deckel/Ölmessstab [1] abnehmen und den Motor zum Öleinfüllstutzen hin kippen, um das Öl in den Behälter abzulassen [4].

Altöl in umweltverträglicher Weise entsorgen. Wir empfehlen, das Altöl in einem verschlossenen Behälter zur Wiederaufarbeitung zur örtlichen Recyclingeinrichtung oder Tankstelle zu bringen. Das Öl nicht in den Müll werfen oder auf den Boden oder in ein Gewässer gießen.

4. Motor waagrecht anordnen, bis zur Obergrenze [3] am Messstab mit empfohlenem Öl auffüllen. Nicht überfüllen.

HINWEIS

Wenn der Motor mit zu niedrigem Ölstand betrieben wird, kann dies zu Motorschäden führen.

5. Öleinfüllstutzendeckel/Ölmessstab [1] wieder fest einschrauben.

LUFTREINIGER

Ein gut gewarteter Luftfilter sorgt dann dafür, dass in den Motor kein Schmutz eindringt. Wenn Schmutz in den Vergaser eindringt, kann dieser über winzige Kanäle in den Vergaser eintreten und einen vorzeitigen Motorverschleiß verursachen. Diese Kanälchen können sich zusetzen und für Anlass- oder Motorlaufprobleme sorgen. Deshalb muss immer ein geeigneter Luftfilter für den jeweiligen Motor verwendet werden, damit dieser geschützt bleibt und so arbeitet wie vorgesehen. Wenn der Motor in sehr staubiger Umgebung betrieben wird, den Filter häufiger säubern.

HINWEIS

Wenn der Motor ohne Filter oder mit einem beschädigten Filter betrieben wird, kann Schmutz in den Motor eindringen, was schnell Motorverschleiß verursacht. Diese Art Schaden ist nicht in der GARANTIE FÜR IHREN MOTOR EINGESCHLOSSEN.

Inspektion

Siehe F4 auf Seite 4.

1. Auf die Verriegelungs-laschen [1] oben am Luftreinigerdeckel drücken und den Deckel [2] abnehmen. Den Filter [3] kontrollieren um sicherzugehen, dass er sauber und in gutem Zustand ist.
2. Filter und Luftreinigerdeckel wieder einbauen.

Säubern

Siehe F4 auf Seite 4.

1. Mit dem Filter mehrmals gegen eine harte Oberfläche schlagen, um den Schmutz zu entfernen oder Druckluft von der dem Motor zugewandten sauberen Seite her nicht über 207 kPa durch den Filter blasen. Schmutz nie abbürsten. Durch Bürsten wird der Schmutz in die Fasern gedrückt.
2. Schmutz vom Luftreiniger [4] und -deckel mit einem feuchten Lappen abwischen. Darauf achten, dass kein Schmutz in den Luftkanal [5] zum Vergaser gelangt.

ZÜNDKERZE

Siehe F5 auf Seite 4.

Erforderlich Plug:

NGK - BPR6ES	Anwendungen des Druckdichtungsringes
NGK - BPR5ES	Alle anderen Verwendungen

Die empfohlene Erforderlich hat den korrekten Bereich für normale Motorbetriebstemperaturen.

HINWEIS

Falsche Zündkerzen können Motorschäden verursachen.

Für gute Leistung muss der Elektrodenabstand an der Zündkerze richtig sein, und sie muss frei von Ablagerungen sein.

1. Stecker von der Zündkerze abnehmen und Umgebung der Zündkerze säubern.
2. Zündkerze mit einem passenden Zündkerzenschlüssel [1] entfernen.
3. Zündkerze kontrollieren. Zündkerze ersetzen, wenn diese beschädigt oder verschmutzt ist, die Dichtungsscheibe [2] in schlechtem Zustand oder die Elektrode verschlissen ist. Zündkerze mit einer Drahtbürste säubern, wenn sie wieder verwendet werden soll.
4. Elektrodenabstand mit einer geeigneten Lehre messen. Der richtige Abstand beträgt 0,70 ~ 0,80 mm. Wenn ein Einstellen des Abstands notwendig ist, die Seitenelektrode vorsichtig biegen.
5. Zündkerze sorgfältig von Hand einsetzen, damit sie nicht verkantet.
6. Wenn die Zündkerze richtig sitzt, diese mit einem passenden Zündkerzenschlüssel festziehen, um die Unterlegscheibe zusammenzudrücken.

Beim Einbau einer neuen Zündkerze diese um eine halbe Drehung festziehen, wenn sie richtig sitzt, um die Dichtungsscheibe zusammenzudrücken.

Beim Wiedereinbau der ursprünglichen Zündkerze diese um eine Achtel- bis Vierteldrehung festziehen, wenn sie richtig sitzt, um die Dichtungsscheibe zusammenzudrücken.

HINWEIS

Zündkerze richtig festziehen. Eine lockere Zündkerze kann sehr heiß werden und den Motor beschädigen. Zu festes Anziehen der Zündkerze kann das Gewinde im Zylinderkopf beschädigen.

7. Zündkerzenstecker auf die Zündkerze setzen.

SCHWUNGRADBREMS-INSPEKTION

(Wenn ausgestattet)

Siehe F6,7 auf Seite 4.

1. Die drei Bundmutter [1] vom Reversierstarter [2] entfernen und diesen vom Motor abnehmen.
2. Kraftstofftank [3] vom Motor abnehmen, ohne die Kraftstoffleitung [4] abzunehmen. Den Tank beim Entfernen waagrecht halten, wenn er Kraftstoff enthält, und ihn waagrecht neben dem Motor absetzen.
3. Bremsbelagdicke [5] kontrollieren. Wenn diese weniger als 3 mm beträgt, den Motor zu Ihrem autorisierten Honda-Kundendienst bringen.
4. Kraftstofftank und Reversierstarter einbauen und die drei Muttern fest anziehen.

FUNKENFÄNGER (Wenn ausgestattet)

Siehe F8 auf Seite 4.

In Europa und anderen Ländern, in denen die Maschinenrichtlinie 2006/42/EG gilt, muss diese Reinigung durch Ihren Servicehändler vorgenommen werden.

Der Funkenfänger muss alle 100 Std. gewartet werden, um wie vorgesehen zu funktionieren.

Wenn der Motor in Betrieb war, ist der Schalldämpfer heiß. Diesen vor dem Warten des Funkenfängers abkühlen lassen.

Entfernen des Funkenfängers

1. Die drei 6 mm-Schrauben [1] vom Schalldämpferschutz [2] entfernen und den Schalldämpferschutz abnehmen.
2. Die Spezialschraube [3] vom Funkenfänger [4] entfernen und den Funkenfänger vom Schalldämpfer [5] abnehmen.

Funkenfänger reinigen und kontrollieren

1. Mit einer Bürste Kohleablagerungen vom Funkenfängersieb entfernen. Das Sieb nicht beschädigen. Funkenfänger ersetzen, wenn er Risse oder Löcher hat.
2. Zum Einbau des Funkenfängers die o.a. Schritte in umgekehrter Reihenfolge ausführen.

LAGERN DES MOTORS

Die richtige Vorbereitung zum Lagern ist entscheidend, um den Motor störungsfrei und sauber zu halten. Die folgenden Schritte sind Ihnen dabei behilflich zu verhindern, dass Rost und Korrosion das Funktionieren und Aussehen Ihres Motors beeinträchtigen. Sie werden auch das Starten des Motors erleichtern, wenn Sie ihn wieder in Betrieb nehmen.

Säubern

Wenn der Motor in Betrieb war, diesen vor dem Säubern wenigstens eine halbe Stunde abkühlen lassen. Außen säubern, beschädigte Lackstellen ausbessern und auf andere Stellen, die rosten könnten, eine dünne Schicht Öl auftragen.

HINWEIS

Bei Verwendung eines Gartenschlauchs oder Hochdruckreinigers kann Wasser in die Öffnungen von Luftreiniger oder Schalldämpfer gedrückt werden. Wasser im Luftreiniger weicht den Luftfilter auf, und durch Luftfilter oder Schalldämpfer eindringendes Wasser kann in den Zylinder gelangen, wo es Schäden verursacht.

HINWEIS

Je nach Region, in der das Gerät verwendet wird, kann sich die Qualität des Kraftstoffs schnell verschlechtern und oxidieren. Eine Qualitätsverschlechterung und Oxidation des Kraftstoffs kann schon nach 30 Tagen erfolgen und zu Schäden am Vergaser und/oder dem Kraftstoffsystem führen. Bitte fragen Sie Ihren Kundendiensthändler nach Empfehlungen für die Lagerung an Ihrem Wohnort.

Benzin oxidiert während der Lagerung, wodurch die Qualität beeinträchtigt wird. Altes Benzin verursacht Startschwierigkeiten und produziert Gummiablagerungen, die die Benzinleitungen verstopfen. Wenn sich die Qualität des im Rasenmäher befindlichen Benzins während der Lagerung verschlechtert, müssen der Vergaser und andere Bestandteile der Treibstoffanlage unter Umständen gewartet oder ausgewechselt werden.

Wie lange Benzin ohne Verursachung von Problemen im Benzintank und Vergaser belassen werden kann, hängt von Faktoren wie der Benzinmischung, der Lagertemperatur und der Benzinmenge im Tank ab. Die Luft in einem nur halb gefüllten Tank trägt zur Verschlechterung der Benzinqualität bei. Sehr hohe Lagertemperaturen beschleunigen den Qualitätsverlust. Durch schlechtes Benzin verursachte Probleme treten innerhalb einiger Monate oder schon früher auf, wenn das Benzin schon beim Tanken nicht mehr frisch war.

Wenn Sie halten ein Behälter mit Benzin für Tankstellen, achten Sie darauf, dass es nur frisches Benzin enthält.

Wenn es mehr als 3 Monate dauert, bis der gesamte Kraftstoff im Behälter verbraucht ist, raten wir dazu, einen Kraftstoffstabilisator in den Kraftstoff zu geben, wenn der Behälter aufgefüllt wird.

Schäden an der Treibstoffanlage oder eine Beeinträchtigung der Motorleistung durch unzulängliche Lagerung fallen nicht unter die beschränkte Garantie des Händlers.

Kurzzeitlagerung (30-90 Tage):

Wenn der Ausrüstung 30 bis 90 Tage lang nicht gebraucht wird, empfehlen wir folgende Maßnahmen, um Probleme im Zusammenhang mit der Kraftstoffanlage zu verhindern:

1. Geben Sie unter Befolgung der Hinweise des Herstellers einen Benzin-Veredler bei.
Bei Verwendung eines Benzin-Stabilisators den Tank mit frischem Benzin volltanken. Wenn der Tank nur teilweise gefüllt ist, wird die Verschlechterung der Benzinqualität durch die Luft im Tank beschleunigt.

Hinweis:
 - Alle Stabilisatoren verfügen über eine gewisse Haltbarkeit, die im Laufe der Zeit abnimmt.
 - Alter Kraftstoff lässt sich nicht mit Stabilisatoren regenerieren.
2. Nach der Beigabe eines Benzin-Veredlers lassen Sie den Motor draußen 10 Minuten laufen, um sicherzugehen daß der behandelte Benzin den unbehandelten im Benzintank ersetzt hat.
3. Stoppen Sie den Motor und Das Treibstoffventil absperren ZU.
4. Starten Sie den Motor und Lassen sie den Motor weiter laufen, bis er von selbst aufgrund von Benzinmangel im Vergaserbenzinbehälter zum Stillstand kommt. Die Laufzeit sollte weniger als 3 Minuten betragen.

Langzeit- bzw. saisonale Einlagerung (über 90 Tage).

Den Motor starten und laufen lassen, bis der gesamte Kraftstoff aus der Kraftstoffanlage (einschließlich dem Kraftstofftank) verbraucht ist. Wird das Gerät mehr als 90 Tage nicht gebraucht, darf kein Kraftstoff mehr im Motor sein.

Motoröl

1. Motoröl wechseln (siehe Seite 38).
2. Zündkerze entfernen (siehe Seite 39).
3. Einen Esslöffel (5 – 10 cc) sauberes Motoröl in den Zylinder geben.
4. Leicht mehrmals am Reversierstarter ziehen, um das Öl zu verteilen.
5. Zündkerze wieder einbauen.

Sicherheitsvorkehrungen beim Lagern

Wenn Ihr Motor mit Benzin in Kraftstofftank und Vergaser gelagert wird, ist es wichtig, das Risiko der Entzündung von Benzindämpfen zu verringern. Wählen Sie einen gut belüfteten Lagerplatz in sicherer Entfernung von Geräten, die mit einer Flamme arbeiten, wie z.B. eine Heizung, Boiler oder Wäschetrockner. Vermeiden Sie auch Orte, an denen Elektromotoren Funken erzeugen oder an denen Elektrowerkzeuge verwendet werden.

Meiden Sie nach Möglichkeit sehr feuchte Lagerplätze, da diese Rost und Korrosion begünstigen.

Wenn sich Benzin im Kraftstofftank befindet, das Kraftstoffventil in der Stellung AUS lassen (siehe Seite 35).

Motor waagrecht lagern. Kippen kann zu Kraftstoff- und öllecks führen.

Den Motor nach Abkühlen von Motor und Auspuffanlage zum Schutz vor Staub abdecken. Von einem heißen Motor und Auspuffanlage können Materialien schmelzen oder sich entzünden. Keine Plastikfolie als Staubabdeckung verwenden. Durch eine luftundurchlässige Abdeckung staut sich Feuchtigkeit in der Umgebung des Motors, was Rost und Korrosion begünstigt.

Beendigung der Lagerung

Kontrollieren Sie Ihren Motor wie im Abschnitt *KONTROLLE VOR DER INBETRIEBNAHME* in diesem Handbuch (siehe Seite 34).

Wenn bei der Vorbereitung zur Lagerung der Kraftstoff abgelassen wurde, den Tank mit frischem Benzin füllen. Wenn Sie einen Vorratsbehälter mit Benzin zum Nachfüllen haben, stellen Sie sicher, dass dieser nur frisches Benzin enthält. Benzin oxidiert und zersetzt sich im Lauf der Zeit, was zu Startproblemen führt.

Wenn der Zylinder bei der Vorbereitung zur Lagerung mit Öl benetzt wurde, raucht der Motor beim Anspringen kurz. Dies ist normal.

TRANSPORT

Motor waagrecht transportieren, um die Möglichkeit von Benzinlecks zu reduzieren. Kraftstoffventil in die Stellung AUS drehen.

Überprüfen Sie die der Bestückung dieser Maschine beiliegenden Bedienungsanleitungen auf Verfahrensweisen, die beim Transport befolgt werden sollen.

UNVORHERGESEHENE PROBLEME LÖSEN

Motor Startet Nicht

MÖGLICHE URSACHE	KORREKTUR
Kraftstoffventil AUS.	Hebel auf EIN bewegen.
Choke AUS.	Choke-/Gashebel, Choke-Stange oder Choke-Hebel in die Stellung CHOKE EIN bewegen (nur bei kaltem Motor).
Zündschalter oder Motorabstellschalter AUS.	Schwungradbremshebel in die Stellung BETRIEB bewegen. (Gas-Hebel in die Stellung SCHNELL bewegen. Motorabstellschalter auf EIN)
Kraftstoff alle.	Kraftstoff nachfüllen.
Schlechter Kraftstoff; Motor ohne Konservieren oder mit schlechtem Benzin nachgefüllt.	Mit frischem Benzin nachfüllen.
Zündkerze defekt, verschmutzt oder hat falschen Elektrodenabstand.	Zündkerze ersetzen (S. 39).
Zündkerze vom Benzin nass (abgesoffener Motor).	Zündkerze abtrocknen und wieder einbauen. Motor mit dem Choke-/Gashebel in der Stellung SCHNELL starten. (Choke in Stellung AUS.)
Kraftstofffilter verstopft, Vergaserversagen, Zündungsversagen, Ventile klemmen, usw.	Fehlerhafte Komponenten bei Bedarf ersetzen oder reparieren.

Verringerte Motorleistung

MÖGLICHE URSACHE	KORREKTUR
Luftfilter verstopft.	Filter säubern oder ersetzen (S. 38).
Schlechter Kraftstoff; Motor ohne Konservieren oder mit schlechtem Benzin nachgefüllt.	Mit frischem Benzin nachfüllen.
Kraftstofffilter verstopft, Vergaserversagen, Zündungsversagen, Ventile klemmen usw.	Fehlerhafte Komponenten bei Bedarf ersetzen oder reparieren.

TECHNISCHE INFORMATIONEN

Lage von Seriennummer und Typenschild

Siehe figure auf Seite 33.

Seriennummer und Typ des Motors unten eintragen. Sie brauchen diese Informationen zum Bestellen von Ersatzteilen und bei Fragen zur Technik und Garantie.

MODEL	SERIENNUMMER	TYP
GSV160 or 190	_____ - _____	_____
Kaufdatum		

Vergasermodifikationen zum Betrieb in größeren Höhen

In größeren Höhen ist das normale Kraftstoff-/Luftgemisch des Vergasers zu fett. Die Leistung nimmt dann ab und der Kraftstoffverbrauch steigt. Eine sehr fette Mischung verschmutzt auch die Zündkerze und verursacht Startprobleme. Längerer Betrieb auf einer Meereshöhe, die sich von der unterscheidet, auf welcher der Motor zertifiziert wurde, kann die Emissionen erhöhen.

Die Leistung in größeren Höhen kann durch spezielle Vergasermodifikationen verbessert werden. Wenn Sie Ihren Mäher meist über 1 500 Meter betreiben, lassen Sie diese Vergasermodifikation von Ihrem Kundendienst durchführen. Beim Betrieb dieses Motors in größeren Höhen mit den entsprechenden Vergasermodifikationen werden die Emissionsnormen während seiner gesamten Nutzungsdauer eingehalten.

Auch mit Vergasermodifikation nimmt die Motorleistung um ca. 3,5% pro 300 Meter Höhendifferenz ab. Die Auswirkung der Höhe auf die Leistung ist noch größer, wenn der Vergaser nicht modifiziert wird.

HINWEIS

Wenn der Vergaser zum Betrieb in größeren Höhen modifiziert worden ist, ist das Luft-/Kraftstoffgemisch zu mager für die Verwendung auf niedrigeren Höhen. Der Betrieb des Motors auf Höhen unter 1 500 Meter mit modifiziertem Vergaser kann zum Überhitzen und schweren Motorschäden führen. Zur Verwendung auf niedrigeren Höhen den Vergaser durch Ihren Kundendienst wieder auf die ursprünglichen Werkseinstellungen einstellen lassen.

Technische Daten

GSV160

Länge x Breite x Höhe	370 x 342 x 360 mm
Trockengewicht	12,8 kg
Motortyp	1-Zylinder, 4-Takt, OHC
Hubraum [Bohrung x Hub]	160 cm ³ [64 x 50 mm]
Motorölmenge	0,50 L
Kraftstofftankinhalt	0,91 L
Kraftstoffverbrauch	1,1L/h bei 3 000 Upm
Kühlsystem	Gebläse
Zündanlage	Transistor-Magnetzündler
Zapfwellen-Drehrichtung	Gegen den Uhrzeigersinn
Ladesystem:	

GSV190

Länge x Breite x Höhe	370 x 342 x 360 mm
Trockengewicht	13,5 kg
Motortyp	1-Zylinder, 4-Takt, OHC
Hubraum [Bohrung x Hub]	186 cm ³ [69 x 50 mm]
Motorölmenge	0,50 L
Kraftstofftankinhalt	0,91 L
Kraftstoffverbrauch	1,3 L/h bei 3 000 Upm
Kühlsystem	Gebläse
Zündanlage	Transistor-Magnetzündler
Zapfwellen-Drehrichtung	Gegen den Uhrzeigersinn

Informationen in Kürze

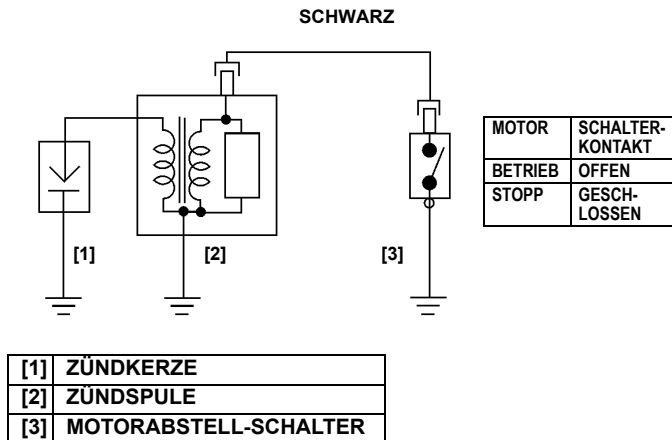
ARTIKEL	BESCHREIBUNG	HINWEIS
Kraftstoff	Typ	Benzin mit einer Research-Oktanzahl von 91 oder höher ausgelegt (Seite 37).
Motoröl	Typ	SAE 10W-30, API SJ, zur allgemeinen Verwendung. Siehe Seite 38. * Füllen sie in der Höhe von 0.35 bis 0.40 Liter wieder auf.
Vergaser	Leerlaufdrehzahl	1700 ± 150 U/min
Zündkerze	Typ	NGK BPR6ES (Anwendungen des Druckdichtungsringes) NGK BPR5ES (Alle anderen Verwendungen)
Wartung	Vor jedem Einsatz	Motorölstand kontrollieren. Siehe Seite 38. Luftfilter kontrollieren. Siehe Seite 38.
	Nach den ersten fünf Betriebsstunden	Motoröl wechseln. Siehe Seite 38.
	Danach	Siehe Wartungsplan auf Seite 37.

* Die tatsächliche Höhe wird sich aufgrund von Ölrestbeständen, die im Motor zurückgeblieben sind, ändern. Betätigen Sie immer den Ölmeßstab, um den tatsächlichen Ölstand zu prüfen.

Technische Daten für die Einstellung

PUNKT	TECHNISCHE DATEN	WARTUNG
Elektrodenabstand	0,7 – 0,8 mm	Siehe Seite 39.
Ventilspiel (kalt)	EIN: 0,15 ± 0,04 mm AUS: 0,20 ± 0,04 mm	Wenden Sie sich an Ihren autorisierten Honda-Kundendienst
Andere technische Daten	Keine anderen Einstellungen notwendig	

Schaltplan



VERBRAUCHERINFORMATIONEN

Honda-Veröffentlichungen

Diese Dokumente enthalten Informationen zur Wartung und Reparatur Ihres Motors. Sie können bei Ihrem Honda-Händler bestellt werden.

Reparaturhandbuch	Dieses Handbuch behandelt Reparatur- und Überholungsverfahren komplett. Es ist für qualifizierte Mechaniker gedacht.
Ersatzteilkatalog	In diesem Handbuch finden Sie komplette, illustrierte Ersatzteillisten.

Vertrieb-/Händlersuchinformation

Besuchen Sie unsere Website: honda-engines-eu.com

Kundendienstinformation

Das Wartungshändlerpersonal besteht aus geschulten Fachkräften. Sie können kompetente Antworten auf alle Ihre Fragen erwarten. Falls Sie ein Problem haben, das bei Ihrem Händler nicht zufriedenstellend gelöst wird, diskutieren Sie es bitte mit dem Management des Betriebs. Der Wartungsmanager, Geschäftsführer oder Besitzer kann helfen. Fast alle Probleme können so gelöst werden.

Honda-Geschäftsstelle

Wenn Sie schreiben oder anrufen, geben Sie bitte diese Informationen an:

- Name des Ausrüstungsherstellers und Modellnummer der Ausrüstung, an der der Motor montiert ist
- Motormodell, Seriennummer und Typ
- Name des Händlers, bei dem Sie den Motor gekauft haben
- Name, Adresse und Kontaktperson des Händlers, der Ihren Motor wartet
- Kaufdatum
- Ihr Name, Ihre Adresse und Ihre Telefonnummer

Ausführliche Beschreibung des Problems.

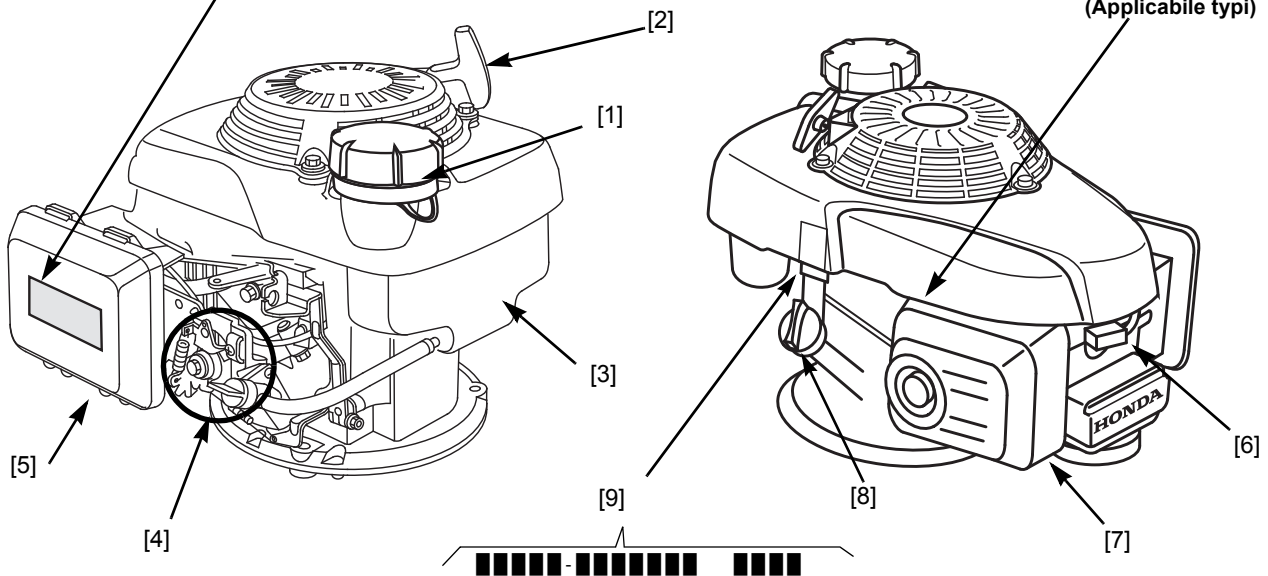
MANUALE DELL'UTENTE

(Istruzioni originali)

GSV160 • GSV190



(Aspetto possono differire in applicazione final)



COMPONENT LOCATION

1	Tappo di rifornimento del carburante
2	Presa dello starter
3	Serbatoio del carburante
4	Area dei comandi del motore *
5	Filtro dell'aria

6	Candela
7	Silenziatore
8	Tappo asta di livello dell'olio
9	Numero di serie del motore

* L'area dei comandi è diversa per i diversi tipi di motore. Vedere le illustrazioni schematiche (pagina 2, 3) sottostanti per determinare il tipo di comando del motore quando si leggono la sezione *Uso* e le altre sezioni del manuale.

INTRODUZIONE

Grazie di avere acquistato un motore Honda. È nostro desiderio aiutarvi a ottenere i risultati migliori e a usare il motore in modo sicuro. Il presente manuale contiene informazioni a tal fine; vi preghiamo di leggerlo attentamente prima di usare il motore. Se dovesse presentarsi un problema, o per qualsiasi domanda riguardante il motore, siete pregati di consultare il vostro rivenditore autorizzato e centro di assistenza Honda.

Le informazioni contenute nella presente pubblicazione sono basate sulle informazioni di prodotto più aggiornate disponibili al momento della stampa. American Honda Motor Co., Inc. si riserva il diritto di apportare modifiche in qualsiasi momento senza preavviso e senza incorrere nessun obbligo. Nessuna parte di questa pubblicazione può essere riprodotta senza permesso scritto.

Il presente manuale deve essere considerato una parte integrale del motore e deve accompagnare il motore in caso di vendita.

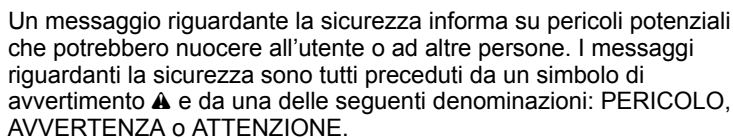
Esaminare le istruzioni fornite con l'apparecchiatura alimentata da questo motore per altre informazioni riguardanti l'avviamento, lo spegnimento, le regolazioni ed eventuali istruzioni di manutenzione speciale per il motore.

INDICE

MESSAGGI RIGUARDANTI LA SICUREZZA	Pagina 44
CONTROLLI PRIMA DELL'USO	Pagina 44
USO	Pagina 45
PRECAUZIONI OPERATIVE DI SICUREZZA	Pagina 45
FREQUENZA D'USO	Pagina 45
AVVIAMENTO/ARRESTO DEL MOTORE (Tutti i tipi)	Pagina 45
MANUTENZIONE DEL MOTORE	Pagina 46
SICUREZZA IN MANUTENZIONE	Pagina 47
PROGRAMMA DI MANUTENZIONE	Pagina 47
RIFORNIMENTO DI CARBURANTE	Pagina 47
OLIO MOTORE	Pagina 48
FILTRO DELL'ARIA	Pagina 48
CANDELA	Pagina 49
ISPEZIONE DEL FRENO SUL VOLANO (Se muniti)	Pagina 49
PARASCINTILLE (Se muniti)	Pagina 49
CONSERVAZIONE DEL MOTORE	Pagina 49
TRANSPORTO	Pagina 50
RISOLUZIONE DI PROBLEMI INASPETTATI	Pagina 51
INFORMAZIONI TECNICHE	Pagina 51
INFORMAZIONI PER L'UTILIZZATORE	Pagina 52

MESSAGGI RIGUARDANTI LA SICUREZZA

La sicurezza dell'utente e di terze parti è molto importante. Il presente manuale e il motore stesso contengono importanti messaggi riguardanti la sicurezza. Leggerli con attenzione.

Un messaggio riguardante la sicurezza informa su pericoli potenziali che potrebbero nuocere all'utente o ad altre persone. I messaggi riguardanti la sicurezza sono tutti preceduti da un simbolo di avvertimento  e da una delle seguenti denominazioni: PERICOLO, AVVERTENZA o ATTENZIONE.

Queste denominazioni significano:

PERICOLO

La mancata osservanza delle istruzioni causerà LESIONI GRAVI o FATALI alla persona.

AVVERTENZA

La mancata osservanza delle istruzioni causerà la POSSIBILITÀ di LESIONI GRAVI o FATALI alla persona.

ATTENZIONE

La mancata osservanza delle istruzioni causerà la POSSIBILITÀ di LESIONI alla persona.

Ogni messaggio contiene una spiegazione della natura del pericolo, di ciò che può verificarsi e di ciò che si può fare per evitare o minimizzare le lesioni.

MESSAGGI PER LA PREVENZIONE DI DANNI

Si vedranno anche altri importanti messaggi preceduti dall'indicazione AVVISO.

Questo termine significa:

AVVISO

il motore o altra attrezzatura possono essere danneggiati in caso di mancata osservanza delle istruzioni.

Lo scopo di questi messaggi è di aiutare a prevenire danni al motore, ad altre attrezzature o all'ambiente.

INFORMAZIONI SULLA SICUREZZA

- Familiarizzarsi con il funzionamento di tutti i comandi e imparare a fermare il motore in caso di emergenza. Accertarsi che l'operatore riceva un addestramento adeguato prima di utilizzare l'apparecchiatura.
- Non consentire ai bambini di azionare il motore. Tenere a distanza i bambini e gli animali domestici durante il funzionamento.
- Lo scarico del motore contiene ossido di carbonio, una sostanza velenosa. Non usare il motore dove non ci sia una ventilazione adeguata, e mai al chiuso.
- Durante l'uso, il motore e lo scarico si riscaldano molto. Quando lo si usa, tenere il motore alla distanza di almeno 1 m da edifici e altre apparecchiature. Tenere lontano da materiali infiammabili e non posare nessun oggetto sul motore in funzione.

POSIZIONE DELL'ETICHETTA DI SICUREZZA

Questa etichetta avvisa di pericoli potenziali che possono causare lesioni gravi. Leggerla con attenzione. Vedere pagina 1.

Se l'etichetta si stacca o diventa illeggibile, rivolgersi al concessionario di servizio Honda per la sua sostituzione.

CONTROLLI PRIMA DELL'USO

IL MOTORE È PRONTO A FUNZIONARE?

Per sicurezza personale e per massimizzare la durata utile dell'apparecchiatura è importante soffermarsi ed esaminare le sue condizioni prima dell'uso. Prima di mettere in funzione il motore, accertarsi di risolvere ogni problema che si incontra o richiedere un intervento tecnico se necessario.

AVVERTENZA

Un motore non sottoposto a manutenzione adeguata, ovvero la mancata risoluzione di un problema prima della messa in funzione, possono essere causa di malfunzionamento che può provocare lesioni gravi o fatali alla persona. Prima dell'uso, eseguire sempre un controllo preoperativo e risolvere gli eventuali problemi incontrati.

Prima di iniziare i controlli preoperativi, accertarsi che il motore sia in piano e che la leva del freno su volano la leva della farfalla, l'interruttore di fermata del motore sia nella posizione FERMO o OFF.

Prima di avviare il motore controllare sempre quanto segue:

1. Leva del carburante (vedere pagina 47).
2. Leva dell'olio (vedere pagina 48).
3. Filtro dell'aria (vedere pagina 49).
4. Ispezione generale: controllare che non ci siano perdite di fluidi e che non ci siano parti allentate o danneggiate.
5. Controllare l'apparecchiatura a cui il motore fornisce la potenza.

Esaminare le istruzioni fornite con tale apparecchiatura per vedere se esistono precauzioni e procedure da dover considerare prima dell'avviamento del motore.

USO

PRECAUZIONI OPERATIVE DI SICUREZZA

Prima di usare il motore per la prima volta, esaminare la sezione sulle **INFORMAZIONI SULLA SICUREZZA** pagina 44 e i soprastanti **CONTROLLI PRIMA DELL'USO**.

Per Vostra sicurezza, non azionate il motore in una zona chiusa come potrebbe essere per esempio il garage. Il sistema di scarico del motore contiene del gas di monossido di carbonio che può accumularsi rapidamente in una zona chiusa e causare malori o morte.

⚠ AVVERTENZA

I gas di scarico contengono monossido di carbonio, che in elevate concentrazioni in ambienti chiusi, può essere estremamente dannoso. L'inalazione dei gas di monossido di carbonio può causare perdita di conoscenza o morte. Non azionare mai il motore in ambienti chiusi, o anche parzialmente chiusi, quando in tali aree sono presenti altre persone.

Esaminare le istruzioni fornite con tale apparecchiatura per vedere se esistono precauzioni di sicurezza da dover osservare all'avviamento del motore, al suo spegnimento o durante il suo uso.

Non azionare il motore su inclinazioni con pendenza superiore ai 20°.

FREQUENZA D'USO

Se il rasaerba verrà utilizzato in modo intermittente o ogni tanto (più di 4 settimane tra un utilizzo e l'altro), fare riferimento alla sezione **Carburante** del capitolo **CONSERVAZIONE DEL MOTORE** (pagina 50) per maggiori informazioni sul deterioramento del carburante.

AVVIAMENTO/ARRESTO DEL MOTORE (Tutti i tipi)

Vedere le illustrazioni schematiche (pagina 2, 3) sottostanti per determinare il tipo di comando del motore quando si leggono la sezione *Usa* e le altre sezioni del manuale.

- **Valvola del carburante:** Girare il valvola del carburante [1] sulla posizione ON.
- **Valvola dell'aria:** (se muniti): Spostare la leva della valvola dell'aria [2] sulla posizione ON (freddo motore).
Spostare l'asta della valvola dell'aria sulla posizione OFF non appena il motore si è riscaldato a sufficienza da marciare in modo regolare senza l'ausilio della valvola dell'aria.
- **Velocità di motore :** Per ottenere le migliori prestazioni, si consiglia di utilizzare il motore con la farfalla sulla posizione VELOCE (o alto).
- **Presca dello starter:** Tirare piano la presa dello starter finché non si incontra resistenza e quindi tirare rapidamente.

AVVISO

Non permettere che la presa dello starter scatti all'indietro contro il motore. Riportala indietro delicatamente per evitare di danneggiare lo starter.

- **Riavviare:** Per riavviare agevolmente l'Auto Choke System™ e assicurarsi una prestazione ottimale far funzionare il motore avviato a freddo per almeno tre minuti prima di spegnerlo. Il tempo minimo di funzionamento dovrà essere più lungo se la temperatura è inferiore a 21 °C.
- **Valvola del carburante:** Girare il valvola del carburante sulla posizione OFF.
Se il attrezzatura non verrà utilizzato per 3 - 4 settimane, si consiglia di scaricare completamente il carburante dal carburatore del motore. Per fare ciò, lasciare la valvola del carburante su OFF e riavviare il motore lasciandolo in funzione finché il carburante non è esaurito.

Tipo 1: Freno Su Volano, Starter/farfalla Remota

AVVIAMENTO DEL UN MOTORE

1. Posizionare il comando della farfalla in modo che la leva della valvola dell'aria/farfalla* [2] si sposti sulla posizione VALVOLA DELL'ARIA.
2. Spostare la leva del freno su volano* [3] alla posizione MARCIA.
3. Tirare piano la presa dello starter finché non si incontra resistenza e quindi tirare rapidamente.
4. Spostare la leva della farfalla/fermata* [2] sulla posizione VELOCE.

ARRESTO DEL MOTORE

1. Spostare il comando della valvola dell'aria/farfalla* [2] sulla posizione LENTO.
2. Per fermare il motore, sbloccare la leva del freno su volano* [3].

Tipo 2: Freno Su Volano, Starter Automatico, Farfalla Remota

AVVIAMENTO DEL UN MOTORE

1. Posizionare il comando della farfalla in modo che la leva* [2] della farfalla si sposti sulla posizione VELOCE.
2. Spostare la leva del freno su volano* [3] alla posizione MARCIA.
3. Tirare piano la presa dello starter finché non si incontra resistenza e quindi tirare rapidamente.

ARRESTO DEL MOTORE

1. Spostare il comando della valvola dell'aria/farfalla* [2] sulla posizione LENTO.
2. Per fermare il motore, sbloccare la leva del freno su volano* [3].

Tipo 3: Freno Su Volano, Richiamo Automatico Della Valvola Dell'aria, Farfalla Fissa

AVVIAMENTO DEL UN MOTORE

1. Spostare la leva della valvola dell'aria [2] sulla posizione della valvola dell'aria.
2. Spostare la leva del freno su volano* [3] alla posizione MARCIA.
La leva della valvola dell'aria inizia automaticamente a muoversi alla posizione OFF quando la leva del freno su volano viene spostata sulla posizione MARCIA.
3. Tirare piano la presa dello starter finché non si incontra resistenza e quindi tirare rapidamente.
In questo tipo, la farfalla è preimpostata.

ARRESTO DEL MOTORE

- Per fermare il motore, sbloccare la leva del freno su volano* [3].

Tipo 4: Freno Su Volano, Starter Automatico, Farfalla Fissa

AVVIAMENTO DEL UN MOTORE

1. Spostare la leva del freno su volano* [3] alla posizione MARCIA.
2. Tirare piano la presa dello starter finché non si incontra resistenza e quindi tirare rapidamente.

ARRESTO DEL MOTORE

Per fermare il motore, sbloccare la leva del freno su volano* [3].

Tipo 5: Frizione Freno Su Lama, Starter/farfalla Remota

STARTING THE ENGINE

1. Posizionare il comando della farfalla in modo che la leva della valvola dell'aria/farfalla* [2] si sposti sulla posizione VALVOLA DELL'ARIA.
2. Accertarsi che la leva di comando della frizione freno lama* sia disinnestata.
3. Tirare piano la presa dello starter finché non si incontra resistenza e quindi tirare rapidamente.
4. Spostare la leva della farfalla/fermata* [2] sulla posizione VELOCE.

ARRESTO DEL MOTORE

1. Disinnestare la leva di comando della frizione freno lama*.
2. Spostare il comando della valvola dell'aria/farfalla* [2] sulla posizione LENTO e posizione FERMO.

Tipo 6: Frizione Freno Su Lama, Starter Automatico, Farfalla Remota

AVVIAMENTO DEL UN MOTORE

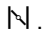


1. Spostare la leva della farfalla/fermata* [2] sulla posizione VELOCE.
2. Accertarsi che la leva di comando della frizione freno lama* sia disinnestata.
3. Tirare piano la presa dello starter finché non si incontra resistenza e quindi tirare rapidamente.
4. Spostare la leva della farfalla/fermata* [2] sulla posizione VELOCE*.

ARRESTO DEL MOTORE



1. Disinnestare la leva di comando della frizione freno lama*.
2. Spostare il comando della valvola dell'aria/farfalla* [2] sulla posizione LENTO e posizione FERMO.

Tipo 7: Valvola Dell'aria Manuale, Farfalla Manuale

AVVIAMENTO DEL UN MOTORE

1. Spostare la leva della valvola dell'aria [1] sulla posizione ON .
2. Spostare la leva della farfalla [2] sulla posizione VELOCE .
3. Tirare piano la presa dello starter finché non si incontra resistenza e quindi tirare rapidamente.
4. Spostare la leva della valvola dell'aria sulla posizione OFF  non appena il motore si è riscaldato a sufficienza da marciare in modo regolare senza l'ausilio della valvola dell'aria.

ARRESTO DEL MOTORE

Spostare la leva della farfalla [2] sulla posizione LENTO  e posizione FERMO .

Tipo 8: Valvola Dell'aria Manuale, Farfalla Fissa, Interruttore Di Arresto Del Motore

AVVIAMENTO DEL UN MOTORE

1. Tirare l'asta della valvola dell'aria [2] sulla posizione ON.
2. Girare l'interruttore di arresto del motore [3] sulla posizione ON.
3. Tirare piano la presa dello starter finché non si incontra resistenza e quindi tirare rapidamente.
In questo tipo, la velocità del motore è preimpostata.
4. Se si è usata la valvola dell'aria per avviare il motore, spostare l'asta della valvola dell'aria sulla posizione OFF non appena il motore si è riscaldato a sufficienza da marciare in modo regolare senza l'ausilio della valvola dell'aria.

ARRESTO DEL MOTORE

Spostare l'interruttore del motore [3] sulla posizione OFF.

Tipo 9: Valvola Dell'aria Manuale, Farfalla Automatico, Interruttore Di Arresto Del Motore

AVVIAMENTO DEL UN MOTORE

1. Tirare l'asta della valvola dell'aria [2] sulla posizione ON.
2. Girare l'interruttore di arresto del motore [3] sulla posizione ON.
3. Tirare piano la presa dello starter finché non si incontra resistenza e quindi tirare rapidamente.
4. Se si è usata la valvola dell'aria per avviare il motore, spostare l'asta della valvola dell'aria sulla posizione OFF non appena il motore si è riscaldato a sufficienza da marciare in modo regolare senza l'ausilio della valvola dell'aria.

La funzione di acceleratore automatico funziona solo quando il motore è completamente caldo.

ARRESTO DEL MOTORE

1. Spostare l'interruttore del motore [3] sulla posizione OFF.
2. Girare il valvola del carburante [2] sulla posizione OFF .

* Vedere manuale apparecchiatura.

MANUTENZIONE DEL MOTORE

IMPORTANZA DELLA MANUTENZIONE

Una buona manutenzione è essenziale al funzionamento sicuro, economico e privo di problemi del motore. Aiuta anche a ridurre l'inquinamento.

⚠ AVVERTENZA

Una manutenzione inadeguata, ovvero la mancata risoluzione di un problema prima della messa in funzione, possono essere causa di malfunzionamento che può provocare lesioni gravi o fatali alla persona.
Seguire sempre i consigli e i programmi di ispezione e manutenzione contenuti nel presente manuale dell'utente.

Per aiutare a eseguire la manutenzione corretta del motore, le pagine seguenti contengono un programma di manutenzione, procedure di ispezione ordinaria e semplici procedure di manutenzione fondamentali che impiegano comuni utensili manuali. Altre operazioni di manutenzione sono più difficili, o richiedono utensili speciali, e dovrebbero essere effettuate da parte di personale specializzato e sono normalmente eseguite da tecnici Honda o altri meccanici qualificati.

Il programma di manutenzione prevede condizioni operative normali. Se il motore viene usato in condizioni difficili, per esempio in con carico pesante sostenuto o in ambiente ad alta temperatura, o in condizioni ambientali particolarmente umide o polverose, si consiglia di consultarsi con il centro di assistenza locale per ottenere un programma specifico per le esigenze e l'uso particolari.

Ricordare che il centro di assistenza autorizzato Honda conosce il motore meglio di tutti ed è completamente attrezzato per farne la manutenzione e le riparazioni.

Per garantire la qualità e l'affidabilità migliori, usare per le riparazioni e le sostituzioni solo parti originali Honda o loro equivalenti.

SICUREZZA IN MANUTENZIONE

Quelle che seguono sono alcune delle più importanti precauzioni riguardanti la sicurezza. Però, non è possibile fornire avvertimenti che includano tutti i pericoli possibili che si possono presentare nel corso delle operazioni di manutenzione. Solo l'utente può decidere se una particolare operazione può essere eseguita o meno.

⚠ AVVERTENZA

La mancata osservanza delle corrette istruzioni e precauzioni di manutenzione può essere causa di lesioni gravi o fatali alla persona.

Seguire sempre le procedure e le precauzioni contenute nel presente manuale dell'utente.

PRECAUZIONI DI SICUREZZA

- Prima di iniziare la manutenzione o delle riparazioni, accertarsi che il motore sia spento. Ciò eliminerà molti pericoli possibili.
 - **Avvelenamento da ossido di carbonio contenuto nello scarico del motore.**
Accertarsi che la ventilazione sia adeguata quando si usa il motore.
 - **Scottature causate da parti molto calde.**
Prima di toccare, lasciare che il motore e lo scarico si raffreddino.
 - **Lesioni causate da parti in movimento.**
Non mettere in moto il motore a meno di non esserne stati istruiti.
- Prima di iniziare, leggere le istruzioni e accertarsi di avere gli utensili e la conoscenza necessaria per eseguire il lavoro.
- Per ridurre la possibilità di incendio o esplosione, prestare attenzione quando si lavora in prossimità della benzina. Per pulire le parti non usare benzina ma solo solventi non infiammabili. Tenere sigarette, scintille e fiamme vive lontane da tutte le parti riguardanti il carburante

PROGRAMMA DI MANUTENZIONE

Svolgere ad ogni mese indicato o ad ogni intervallo di ore di funzionamento, a seconda di quello che trascorre prima. ⁽¹⁾

Normale Period di Manutenzione	Componente	Pagina
Prima a ogni uso	Controllo: Olio motore Controllo: Filtro dell'aria	pagina 48 pagina 49
Primo mese o 5 ore	Cambio: Olio motore	pagina 48
Ogne 3 mese o 25 ore	Pulizia: Filtro dell'aria ⁽²⁾	pagina 49

Normale Period di Manutenzione	Componente	Pagina
Ogne 6 mese o 50 ore	Cambio: Olio motore ⁽³⁾ Pulizia: Filtro dell'aria ⁽²⁾ Controllo: Pattino freno su volano (se fornita)	pagina 48 pagina 49 pagina 49
Ogne anno o 100 ore	6 articoli mese, ed inoltre: Controllo-regolazione: Candela Pulizia: Parascintille (se fornita) ⁽⁶⁾ Controllo: Frizione freno lama (se fornita) Controllo-regolazione: Velocità a vuoto Pulizia: Serbatoio e filtro del carburante Controllo-regolazione: Gioco valvola	pagina 49 pagina 49 (5) (4) (4) (4)
Ogne 2 anni o 200 ore	Elementi annuale, ed inoltre: Cambio: Filtro dell'aria Cambio: Candela	pagina 49 pagina 49
Ogne 2 anni	Controllo: Tubatura del carburante (sostituire se necessario)	(4)

- (1) In caso di uso commerciale, tenere un registro dell'impiego per determinare gli intervalli di manutenzione opportuni.
- (2) Eseguire una manutenzione più frequente per uso in ambienti polverosi.
- (3) Cambiare l'olio motore ogni 25 ore quando si usa il motore con forti carichi o in ambiente a temperatura elevata.
- (4) La manutenzione di queste parti deve essere effettuata da parte di un centro di assistenza autorizzato Honda, a meno di non possedere gli utensili adatti e la necessaria competenza meccanica. Per le procedure di manutenzione, riferirsi al manuale Honda per l'officina.
- (5) Vedere il manuale dell'apparecchiatura o il manuale Honda per l'officina.
- (6) In Europa e in altri paesi in cui è in vigore la direttiva macchine 2006/42/EC, questa pulizia dovrebbe essere eseguita dal vostro centro assistenza.

Il mancato rispetto del programma di manutenzione potrebbe provocare guasti non coperti da garanzia.

RIFORNIMENTO DI CARBURANTE

Questo motore è certificato per funzionare con benzina verde con un numero di ottano (RON) pari o superiore a 91.

Si consiglia di rifornire il serbatoio dopo ogni utilizzo per minimizzare la presenza di aria nel serbatoio.

Rifornire in un'area ben ventilata e con il motore spento. Se il motore è stato in funzione, lasciarlo raffreddare. Non fare mai rifornimento all'interno di un edificio dove i vapori della benzina potrebbero entrare a contatto con fiamme o scintille.

È possibile usare normale benzina senza piombo contenente non più del 10% di etanolo (E10) o 5% di metanolo in volume. In aggiunta, il metanolo deve contenere cosolventi e anticorrosivi. L'uso di carburante con contenuto di etanolo o metanolo superiore alle percentuali indicate sopra può causare problemi di avviamento e/o di prestazioni. Inoltre può causare danni alle parti in metallo, gomma e plastica del sistema di alimentazione. Inoltre, l'etanolo è igroscopico, il che significa che attrae e trattiene l'acqua nell'impianto del carburante. Danni al motore o problemi di prestazioni risultanti dall'uso

di carburante con percentuali di etanolo o metanolo superiori a quelle indicate sopra non sono coperti dalla garanzia.

Se si prevede una ridotta frequenza di utilizzo, o un uso periodico intervallato da lunghi periodi di inutilizzo della macchina, (oltre 4 settimane tra un utilizzo e l'altro) fare riferimento alla sezione "Carburante" del capitolo "CONSERVAZIONE (pagina 50) per ulteriori informazioni relative al deterioramento del carburante.

Non usare mai benzina vecchia o contaminata o una miscela di olio e benzina. Evitare di introdurre sporco o acqua nel serbatoio del carburante.

⚠ AVVERTENZA

La benzina è altamente infiammabile ed esplosiva e il rifornimento presenta il rischio di scottature o lesioni gravi.

- Spegnere il motore e tenere lontano da sorgenti di calore, scintille e fiamme vive.
- Rifornire di carburante solo all'aperto.
- Pulire immediatamente eventuali versamenti.

Aggiunta di carburante

Vedere F1 su pagina 4.

1. Togliere il tappo del serbatoio.
2. Aggiungere carburante sino al livello massimo marcato nel collo del serbatoio [1]. Non riempire troppo. Pulire eventuali versamenti di carburante prima di avviare il motore.
3. Chiudere bene il tappo del serbatoio [2] stringere bene il tappo. Spostarsi di almeno 3 metri dalla fonte e dalla sede di rifornimento prima di avviare il motore.

AVVISO

Il carburante può danneggiare la vernice e alcuni tipi di plastica. Fare attenzione a non versare il carburante quando si riempie il serbatoio. I danni causati da versamenti di carburante non sono coperti dalla garanzia del motore.

Contenitore di stoccaggio del carburante

Conservare il carburante in un contenitore in plastica pulito e sigillato, approvato per l'immagazzinamento di carburante. Chiudere lo sfianto (se in dotazione) quando non è utilizzato, e tenere il contenitore lontano dalla luce solare diretta. Se ci vogliono più di 3 mesi a consumare il carburante nel contenitore, è consigliabile aggiungere uno stabilizzatore di carburante al carburante stesso quando si riempie il contenitore.

Se è rimasto un po' di carburante nel contenitore al termine della stagione, l'EPA (U.S. Environmental Protection Agency) suggerisce di versare il carburante nel serbatoio del proprio veicolo.

OLIO MOTORE

L'olio influenza notevolmente le prestazioni e la durata della pompa. Utilizzare un olio detergente per motori a quattro fasi.

Olio consigliato

Vedere F2 su pagina 4.

Usare olio per motori a quattro tempi che soddisfa o eccede i requisiti per le classificazioni servizio API SJ o equivalenti. Controllare sempre che l'etichetta di servizio API sulla lattina dell'olio includa le terre SJ o equivalenti.

Per uso generale si consiglia SAE 10W-30. Altre viscosità fornite nella tabella possono essere usate quando la temperatura media della zona d'uso rientra nell'intervallo di valori indicato.

Controllo del livello d'olio

Vedere F2, F3 su pagina 4.

1. Controllare l'olio con il motore fermo e in piano.
2. Rimuovere e pulire il tappo/asta di livello dell'olio [1].
3. Inserire il tappo/asta di livello nel collo dell'olio nel modo mostrato, senza avvitarlo, ed estrarlo per controllare il livello dell'olio.
4. Se il livello dell'olio è vicino o sotto il segno di minimo [3] sull'asta di livello, togliere il tappo/asta di livello e riempire sino al segno del livello massimo [2] usando olio consigliato. Non riempire troppo.
5. Rimettere a posto il tappo/asta di livello dell'olio.

Cambio dell'olio

Vedere F3 su pagina 4.

Scolare l'olio dal motore quando il motore è caldo. L'olio caldo scola più rapidamente e completamente.

1. Girare la valvola del carburante sulla posizione OFF per ridurre la possibilità di perdita di carburante.
2. Sistemare un contenitore adatto accanto al motore per raccogliere l'olio scolato.
3. Togliere il tappo/asta di livello dell'olio e scolare l'olio nel contenitore inclinando il motore verso il collo di riempimento dell'olio [1].
Eliminare l'olio motore scolato in osservanza delle norme sull'ambiente. Si consiglia di scolare l'olio in un contenitore che può essere chiuso a tenuta e di portarlo a un centro di eliminazione o a una stazione di servizio dove verrà riciclato. Non gettare nei rifiuti o versare per terra o in uno scarico.
4. Con il motore in piano, riempire sino al segno di livello massimo sull'asta di livello usando l'olio consigliato.

AVVISO

L'uso del motore con un livello d'olio basso può danneggiare il motore.

5. Rimettere a posto in modo sicuro il tappo/asta di livello dell'olio.

FILTRO DELL'ARIA

Un filtro dell'aria sottoposto ad adeguata manutenzione aiuta a prevenire la penetrazione della sporcizia nel motore. La sporcizia penetrata nel carburatore può essere aspirata nei suoi passaggi più ristretti e determinare l'usura prematura del motore. Questi passaggi possono bloccarsi, determinando problemi di avviamento o funzionamento. Utilizzare sempre il filtro dell'aria specificato per il motore, onde garantire che sia a perfetta tenuta e operi come previsto. Il filtro andrà pulito più spesso quando si lavora in ambienti molto polverosi.

AVVISO

L'uso del motore senza filtro, o con un filtro danneggiato, permetterà l'ingresso di polvere nel motore e ne causerà un rapido consumo. Questo tipo di danni non è coperto dalla garanzia del motore.

Ispezione

Vedere F4 su pagina 4.

1. Premere i ganci di chiusura [1] sul coperchio del filtro dell'aria [2] e rimuovere il coperchio. Controllare che il filtro [3] sia pulito e in buone condizioni.
2. Rimettere a posto il filtro e il coperchio.

Pulizia

Vedere F4 su pagina 4.

1. Per togliere lo sporco battere il filtro ripetutamente su una superficie dura oppure soffiarvi contro aria compressa [a pressione non superiore a 207 kPa, 2.1 kg/cm² dal lato pulito che si affaccia sul motore. Non tentare mai di spazzare via lo sporco. L'uso di una spazzola farà penetrare lo sporco nelle fibre del filtro.
2. Pulire il corpo del filtro dell'aria e il coperchio [4] usando uno straccio umido. Fare attenzione per evitare che lo sporco entri nel condotto [5] dell'aria che porta al carburatore.

CANDELA

Vedere F5 su pagina 4.

Candela richiesto:

- NGK - BPR6ES applicazioni per lavatrice a pressione
NGK - BPR5ES tutte le altre applicazioni

La candela richiesto ha l'intervallo termico corretto per le normali temperature di esercizio del motore.

AVVISO

Le candele inadatte possono danneggiare il motore.

Per ottenere la prestazione migliore, la candela deve avere il corretto spazio esplosivo e deve essere priva di depositi.

1. Scollegare il cappuccio della candela e pulire l'area attorno alla candela.
2. Usando una chiave da candela [1] di dimensione corretta, rimuovere la candela.
3. Ispezionare la candela. Sostituirla se risulta danneggiata, molto sporca, se la rondella di tenuta è in cattive condizioni o se l'elettrodo si è consumato [2]. Quando la candela è riutilizzabile, pulirla con una spazzola metallica.
4. Misurare lo spazio tra gli elettrodi usando uno spessore adatto. Lo spazio corretto è di 0,7 – 0,8 mm. Quando si rende necessaria una regolazione, piegare delicatamente l'elettrodo laterale sino a ottenere lo spazio corretto.
5. Installare la candela con attenzione e a mano per evitare di ingranare male la filettatura.
6. Una volta che la candela è a posto, serrarla con una chiave opportunamente dimensionata per comprimere la rondella.

Quando si installa una candela nuova, stringere di 1/2 giro per comprimere la rondella una volta che la candela è insediata.

Quando si installa di nuovo la candela originale, stringere di 1/8 – 1/4 di giro per comprimere la rondella una volta che la candela è insediata.

AVVISO

Serrare la candela in modo corretto. Una candela allentata può divenire molto calda e può danneggiare il motore. Un serraggio eccessivo può danneggiare la filettatura e la testa del cilindro.

7. Collegare alla candela il suo cappuccio.

ISPEZIONE DEL FRENO SUL VOLANO (Se muniti)

Vedere F6, F7 su pagina 4.

1. Togliere i tre dadi della flangia [1] dallo starter a ritorno [2] e rimuovere lo starter dal motore.
2. Togliere il serbatoio del carburante [3] dal motore senza scollegare il tubo del carburante [4]. Se c'è carburante nel serbatoio, mantenerlo in piano mentre lo si toglie e porlo in piano accanto al motore.
3. Controllare lo spessore della ganaschia del freno [5]. Se è meno di 3 mm portare il motore al centro di assistenza Honda autorizzato locale.
4. Rimettere a posto il serbatoio del carburante e lo starter a ritorno e serrare i tre dadi in modo sicuro.

PARASCINTILLE (Se muniti)

Vedere F8 su pagina 4.

In Europa e in altri paesi in cui è in vigore la direttiva macchine 2006/42/EC, questa pulizia dovrebbe essere eseguita dal vostro centro assistenza.

Il parascintille va sottoposto a manutenzione ogni 100 ore per mantenerlo nelle condizioni operative per cui è stato progettato.

Quando un motore è stato in funzione, il silenziatore sarà molto caldo. Lasciare che si raffreddi prima di eseguire la manutenzione del parascintille.

Rimozione del parascintille

1. Togliere i tre bulloni da 6 mm [1] dalla protezione del silenziatore [2] e rimuovere la protezione.
2. Togliere le vite speciale [3] dal parascintille [4] e rimuovere il parascintille dal silenziatore [5].

Ispezione e pulizia del parascintille

1. Usare una spazzola per togliere i depositi di carbonio dalla griglia del parascintille. Fare attenzione a non danneggiare la griglia. Sostituire il parascintille se è rotto o ha dei buchi.
2. Rimettere a posto il parascintille nell'ordine inverso a quello in cui lo si è smontato.

CONSERVAZIONE DEL MOTORE

a preparazione corretta prima di riporre il motore è essenziale per garantire che il motore non sviluppi problemi e mantenga un buon aspetto. I passi seguenti aiuteranno a evitare che la ruggine o corrosioni influiscano sulla funzionalità e sull'aspetto del motore e faranno sì che il motore sia più facile da avviare una volta che lo si debba rimettere in funzione.

Pulizia

Se il motore è stato appena usato, lasciare che si raffreddi per almeno mezz'ora prima di fare la pulizia. Pulire tutte le superfici esterne, ritoccare eventuali danni alla vernice e coprire tutte le aree che potrebbero arrugginarsi con uno strato sottile d'olio.

AVVISO

L'uso di un tubo da giardino o di attrezzatura di lavaggio a pressione può forzare acqua nel filtro dell'aria o nell'apertura del silenziatore. Il filtro dell'aria assorbe l'acqua con cui viene a contatto e attraverso il filtro dell'aria o il silenziatore l'acqua può entrare nel cilindro e causare danni.

AVVISO

In base all'area geografica in cui la macchina viene utilizzata, i tipi di carburanti utilizzati potrebbero essere soggetti a un più rapido deterioramento o ossidazione. Il deterioramento e l'ossidazione del carburante si possono verificare anche in soli 30 giorni, causando il danneggiamento del carburatore e/o dell'impianto di alimentazione. Si raccomanda di chiedere il supporto del servizio assistenza locale per ottenere informazioni sulle corrette modalità di conservazione della macchina.

Il carburante si ossida e si deteriora quando viene lasciato immagazzinato. La benzina deteriorata causa difficoltà di avviamento e lascia dei residui gommosi che intasano l'impianto di alimentazione. Se la benzina nel vostro tosaerba si deteriora durante l'immagazzinaggio potreste dover far sostituire o riparare il carburatore o altri componenti dell'impianto di alimentazione.

Il periodo di tempo che la benzina può venir lasciata nel serbatoio del carburante e nel carburatore senza causare problemi di funzionamento dipenderà da fattori quali la composizione della benzina, la temperatura di immagazzinaggio, e se il serbatoio del carburante sia riempito in tutto o in parte. L'aria in un serbatoio del carburante parzialmente vuoto promuove il deterioramento del carburante. Temperature di immagazzinaggio molto elevate accelerano il deterioramento del carburante. I problemi legati al deterioramento del carburante possono avvenire entro alcuni mesi, o anche meno, se la benzina non era di produzione recente quando avete riempito il serbatoio.

Se si mantiene un contenitore di benzina per il rifornimento, accertarsi che contenga soltanto benzina fresca.

Se ci vogliono più di 3 mesi a usare il carburante nel contenitore d'immagazzinamento, è consigliabile aggiungere uno stabilizzatore di carburante al carburante stesso quando si riempie il contenitore.

La garanzia non copre i danni al sistema di alimentazione o i problemi di prestazioni del motore derivanti dal non aver seguito la procedura di preparazione all'immagazzinaggio.

Immagazzinamento a breve termine (30-90 giorni)

Se il attrezzature non verrà utilizzato per 30 - 90 giorni, si consiglia quanto segue per prevenire problemi legati al carburante:

1. Aggiungere uno stabilizzatore per benzina seguendo le istruzioni del costruttore.

Per aggiungere uno stabilizzatore per carburante, riempire il serbatoio del carburante con benzina di produzione recente. Se il serbatoio è riempito solo in parte, l'aria nel serbatoio promuoverà il deterioramento del carburante durante l'immagazzinaggio.

Nota:

- Tutti gli stabilizzatori hanno una scadenza e le loro prestazioni si deteriorano nel tempo.
 - Gli stabilizzatori non sono in grado di ricostituire il carburante deteriorato.
2. Dopo aver aggiunto uno stabilizzatore, far funzionare il motore per 10 minuti all'esterno, per assicurarsi che la benzina additivata abbia sostituito quella non trattata nel circuito del carburante.
 3. Fermare il motore e ruotare la valvola del carburante in posizione CHIUSO.
 4. Avviare il motore e continuare a far funzionare il motore fino al suo spegnimento per mancanza di carburante nella vasca del carburatore. Il tempo di funzionamento dovrebbe essere inferiore ai 3 minuti.

Immagazzinamento a lungo termine o stagionale (oltre 90 giorni)

Avviare il motore e lasciarlo in funzione il tempo sufficiente a consumare il carburante presente nell'impianto (incluso quello nel serbatoio del carburante). Non lasciare che la benzina rimanga nel motore per oltre 90 giorni di inattività.

Olio motore

1. Cambio dell'olio motore (Vedere pagina 48).
2. Togliere la candela (Vedere pagina 49).
3. Versare 5 – 10 cc di olio pulito nel cilindro.
4. Tirare più volte lo starter a ritorno per distribuire l'olio.
5. Rimettere a posto la candela.

Precauzioni per la conservazione

Se il motore verrà riposto con la benzina nel serbatoio e nel carburatore, è importante ridurre il pericolo di accensione del vapore di benzina. Scegliere un'area di ripostiglio ben ventilate lontano da apparecchiature che usano fiamma viva per il loro funzionamento, come caldaie, scaldacqua o asciugatrici. Evitare anche le aree in cui ci sono motori elettrici che possono produrre scintille o le aree in cui vengono usati utensili a motore.

Se possibile, evitare aree di conservazione con alta umidità, perché questa favorisce la formazione di ruggine e la corrosione.

Se c'è benzina nel serbatoio, lasciare la valvola del carburante sulla posizione the OFF (vedere pagina 45).

Quando il motore è riposto, tenerlo in piano. L'inclinare il motore può causare versamento di benzina o d'olio.

Quando il motore e l'impianto di scarico sono freddi, coprire il motore per evitare che s'impolveri. Il motore o l'impianto di scarico caldi potrebbero infiammare o fondere certi materiali. Non usare fogli di plastica per proteggere dalla polvere. Una copertura non porosa racchiude l'umidità attorno al motore e ne favorisce la formazione di ruggine e la corrosione.

Rimessa in esercizio dopo conservazione

Controllare il motore secondo la sezione **CONTROLLI PRIMA DELL'USO** del presente manuale (Vedere pagina 44).

Se il carburante era stato scolato al momento della preparazione per la conservazione, riempire il serbatoio con benzina fresca. Se si tiene a portata di mano una tanica di benzina con cui riempire il serbatoio, accertarsi che contenga solo benzina fresca. La benzina si ossida e si deteriora al passare del tempo causando avvii difficili.

Se il cilindro è stato rivestito con olio al momento della preparazione per la conservazione, lo scarico del motore fumerà per un breve periodo all'avviamento. Ciò è normale.

TRANSPORTO

Quando lo si trasporta, mantenere il motore in piano per evitare versamenti di carburante. Impostare la valvola del combustibile sulla posizione SPENTO.

Per le procedure da seguire in caso di trasporto, attenersi a quanto indicato nei manuali istruzione forniti con l'apparecchiatura dotata di questo motore.

RISOLUZIONE DI PROBLEMI INASPETTATI

Il motore non parte

CAUSA POSSIBILE	AZIONE CORRETTIVA
Valvola del carburante su OFF.	Spostare la leva su ON.
Valvola dell'aria OFF.	Spostare la leva della valvola dell'aria/farfalla, l'asta della valvola dell'aria o la leva della valvola dell'aria sulla posizione VALVOLA DELL'ARIA ON a meno che il motore non sia caldo.
Interruttore di accensione o interruttore di arresto del motore su OFF.	Spostare la leva del freno su volano alla posizione MARCIA. (Leva della farfalla sulla posizione VELOCE. Interruttore di arresto del motore su ON)
Senza carburante.	Riempire di carburante.
Carburante cattivo, motore messo in ripostiglio senza agente stabilizzatore o riempito con benzina cattiva.	Riempire con benzina fresca.
La candela è difettosa, sporca e ha uno spazio incorretto.	Sostituire la candela (pagina 49).
La candela è bagnata di carburante (motore ingolfato).	Asciugare e rimontare la candela. Avviare il motore con la leva della valvola dell'aria/farfalla nella posizione VELOCE. (Valvola dell'aria in posizione OFF).
Il filtro del carburante è intasato, il carburatore o l'accensione non funzionano correttamente, la valvola è bloccata, ecc.	Sostituire o riparare gli elementi difettosi secondo necessità.

Il motore non ha potenza

CAUSA POSSIBILE	AZIONE CORRETTIVA
Il filtro è otturato.	Pulire o sostituire il filtro. (pagina 49).
Carburante cattivo, motore messo in ripostiglio senza agente stabilizzatore o riempito con benzina cattiva.	Riempire con benzina fresca.
Il filtro del carburante è intasato, il carburatore o l'accensione non funzionano correttamente, la valvola è bloccata, ecc.	Sostituire o riparare gli elementi difettosi secondo necessità.

INFORMAZIONI TECNICHE

Ubicazione del numero di serie del motore e del tipo

Vedere figure on pagina 4.

Registrare il numero di serie e il tipo del motore nello spazio fornito sotto. Queste informazioni saranno necessarie quando si ordinano parti di ricambio o quando si hanno domande tecniche o sulla garanzia.

MODELLO	NUMERO DI SERIE DEL MOTORE	TIPO DI MOTORE
GSV160 or 190	_____ - _____	_____
Data dell'acquisto		

Modifiche al carburatore per funzionamento in alta montagna

In alta montagna, la miscela standard di aria e carburante nel carburatore diviene troppo ricca. La prestazione peggiora mentre aumenta il consumo di carburante. Una miscela molto ricca sporca anche la candela e causa difficoltà di avviamento. L'uso prolungato del motore a un'altitudine diversa da quella per cui il motore è certificato può aumentarne le emissioni.

La prestazione ad alta quota può essere migliorata apportando particolari modifiche al carburatore. Se si usa sempre il trimmer a quota superiore a 1.500 m, richiedere al centro di assistenza di apportare la seguente modifica al carburatore. Quando viene usato ad alta quota con queste modifiche del carburatore, il motore soddisferà gli standard di emissione per tutta la sua durata utile.

Nonostante le modifiche al carburatore, la potenza del motore diminuirà di circa il 3,5% per ogni 300 m di altitudine in più. L'effetto dell'altitudine sulla potenza sarà ancora maggiore se non si modifica il carburatore.

AVVISO

Quando il carburatore è stato modificato per uso in alta montagna, la miscela di aria e carburante sarà troppo povera per uso a bassa quota. L'uso del motore con il carburatore modificato a quote inferiori a 1.500 m può essere causa di surriscaldamento e di danni gravi. Per uso a bassa quota, richiedere al centro di assistenza di riportare il carburatore alle specifiche originali della fabbrica.

Dati tecnici

GSV160

Lunghezza x larghezza x altezza	370 x 342 x 360 mm
Peso a secco	12,8 kg
Tipo di motore	a 4 tempi, camma in testa, un cilindro
Cilindrata [alesaggio x corsa]	160 cm ³ [64 x 50 mm]
Capacità olio lubrificante	0,50 L
Capacità del serbatoio del carburante	0,91 L
Consumo	1,1 L/h a 3.000 rpm
Impianto di raffreddamento	circolazione d'aria forzata
Accensione	magnete transistorizzato
Presa di forza rotazione albero	senso antiorario

GSV190

Lunghezza x larghezza x altezza	370 x 342 x 360 mm
Peso a secco	13,5 kg
Tipo di motore	a 4 tempi, camma in testa, un cilindro
Cilindrata [alesaggio x corsa]	186 cm ³ [69 x 50 mm]
Capacità olio lubrificante	0,50 L
Capacità del serbatoio del carburante	0,91 L
Consumo	1,3 L/h a 3.000 rpm
Impianto di raffreddamento	circolazione d'aria forzata
Accensione	magnete transistorizzato
Presa di forza rotazione albero	senso antiorario

Dati tecnici di messa a punto

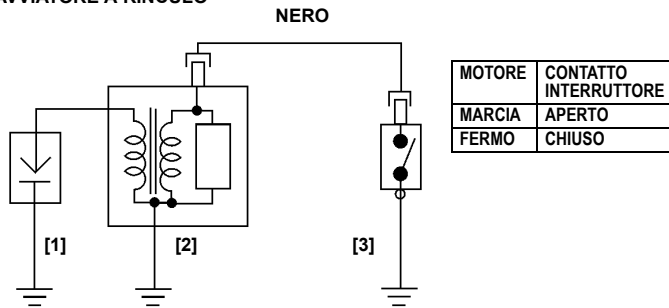
VOCE	SPECIFICA	MANUTENZIONE
Spazio esplosivo della candela	0,7 – 0,8 mm	Vedere pagina 49.
Gioco valvola (a freddo)	CHIUSA: 0,15 ± 0,04 mm APERTA: 0,20 ± 0,04 mm	Riferirsi al rivenditore Honda autorizzato
Altri dati tecnici	Nessuna altra regolazione richiesta.	

Informazioni di riferimento rapido

ARTICOLO	DESCRIZIONE	NOTA
Carburante	Tipo	Benzina verde con un numero di ottano (RON) pari o superiore a 91 (pagina 47).
Olio motore	Tipo	SAE 10W-30, API SJ, per uso generale. Vedere pagina 48. *Quantità di riempimento: 0,35 ~ 0,40 litri.
Carburatore	Minimo	1.700 ± 150 rpm
Candela	Tipo NGK	BPR6ES (applicazioni per lavatrice a pressione) BPR5ES (tutte le altre applicazioni)
Manutenzione	Prima di ogni uso	Controllare il livello dell'olio. Vedere pagina 48. Controllare il filtro dell'aria. Vedere pagina 49.
	Dopo le prime 5 ore	Cambiare l'olio motore. Vedere pagina 48.
	In seguito	Vedere il programma di manutenzione a pagina 47.

Schema dell'impianto

AVVIATORE A RINCULO



[1]	CANDELA
[2]	BOBINA D'ACCENSIONE
[3]	INTERRUTTORE DI ARRESTO DEL MOTORE

INFORMAZIONI PER L'UTILIZZATORE

Pubblicazioni Honda

Queste pubblicazioni forniranno informazioni supplementari per la manutenzione e le riparazioni del motore. Possono essere ordinate presso il centro di assistenza autorizzato Honda.

Manuale da officina	Questo manuale include le procedure complete di manutenzione e di revisione del motore. Il suo uso è previsto per tecnici qualificati.
Catalogo parti	Questo manuale fornisce una distinta parti completa e illustrata.

Informazione sull'ubicazione di concessionari/rivenditori

Visitare il nostro sito Internet: honda-engines-eu.com

Informazioni sul servizio clienti

Il personale delle officine di servizio è costituito da professionisti addestrati. Essi dovrebbero essere in grado di rispondere alle vostre domande. Se avete un problema che il rivenditore non risolve al meglio, rivolgetevi alla direzione della concessionaria. Il responsabile del servizio, il direttore generale o il gerente potranno aiutarvi. La maggior parte dei problemi sono risolvibili in questo modo.

Ufficio Honda

Quando scrivete o chiamate, siete pregati di fornire le seguenti informazioni:

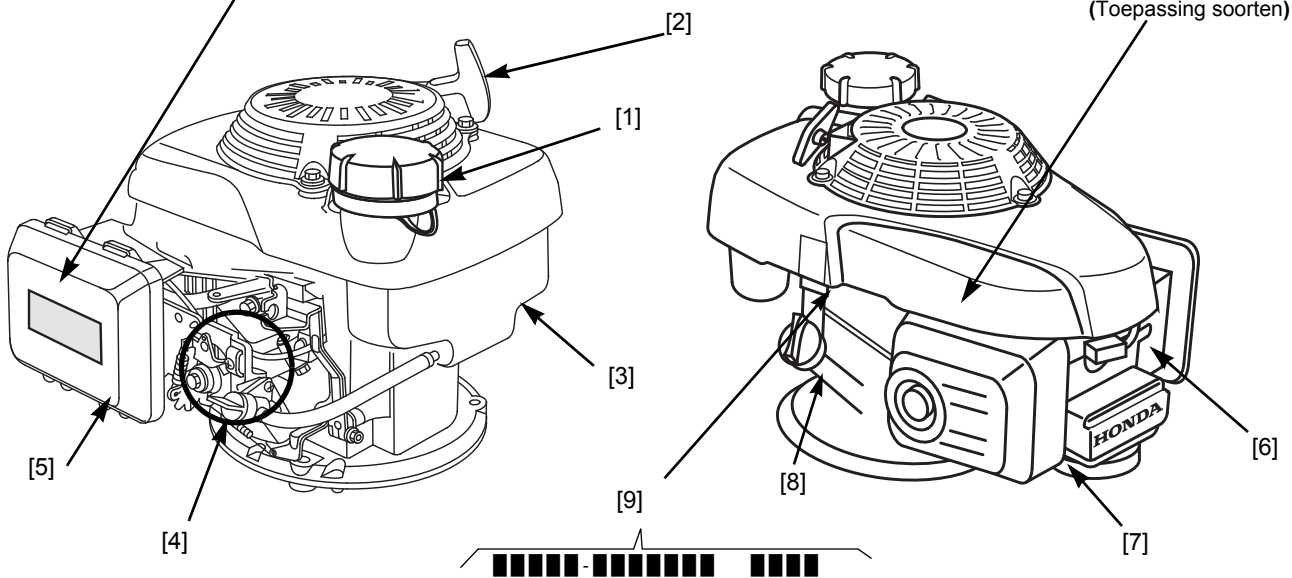
- Nome del fabbricante e numero di modello dell'apparecchio su cui è montato il motore
- Modello del motore, numero di serie e tipo
- Nome del rivenditore che vi ha venduto il motore
- Nome, indirizzo e persona di contatto dell'officina che effettua la manutenzione del vostro motore
- Data dell'acquisto
- Il vostro nome, indirizzo e numero di telefono
- Una descrizione dettagliata del problema

INSTRUKTIEHANDLEIDING (oorspronkelijke gebruiksaanwijzing)

GSV160 • GSV190



(Uiterlijk kunnen afwijken, in uiteindelijke toepassing)



COMPONENT LOCATIE

1	Brandstof vuldop
2	Startergreep
3	Brandstoftank
4	Motorgebied voor bedieningselementen *
5	luchtfILTER

6	Bougie
7	Geluidemper
8	Olievuldop peilstok
9	Serienummer van de motor

* Al naar gelang het motortype verschilt de plaats met de bedieningselementen van de motor. Raadpleeg de onderstaande individuele diagrammen om het type bedieningselement van de motor te bepalen wanneer het deel van de *Werking* en andere delen van de handleiding worden gelezen.

INLEIDING

Hartelijk dank voor het kopen van een Honda-motor. Wij willen u helpen de beste resultaten te behalen met uw nieuwe motor en, deze veilig te bedienen. Deze handleiding bevat informatie over hoe u dat kunt doen; lees deze aandacht alvorens de motor te bedienen. Mocht er zich een probleem voordoen, of als u vragen hebt over uw motor, raadpleeg dan een gevolmachtigde service dealer.

Alle informatie in deze uitgave is gebaseerd op de laatst beschikbare productinformatie op het moment van drukken. American Honda Motor Co., Inc. behoudt zich het recht voor op elk moment zonder berichtgeving veranderingen aan te brengen, zonder zich aan enige verplichting bloot te stellen. Geen enkel deel van deze uitgave mag zonder schriftelijke toestemming worden verveelvoudigd.

Deze handleiding moet als een permanent deel van de motor worden beschouwd en dient bij de motor te blijven als deze wordt verkocht.

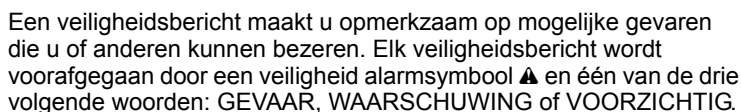
Bekijk de voorschriften opnieuw die met de door deze motor aangedreven uitrusting zijn geleverd, voor aanvullende informatie over het starten van de motor, uitschakelen, werking, bijstellingen en alle speciale onderhoudsinstructies.

INHOUD

VEILIGHEIDSBERICHTEN	Pagina 54
CONTROLES VÓÓR IN BEDRIJFSTELLING	Pagina 54
WERKING	Pagina 55
VEILIGE BEDIENING VOORZORGSMATREGELEN	Pagina 55
GEBRUIKSFREQUENTIE	Pagina 55
DE MOTOR STARTEN/STOPPEN (Alle soorten)	Pagina 55
UW MOTOR ONDERHOUDEN	Pagina 56
ONDERHOUDSVEILIGHEID	Pagina 57
ONDERHOUDSSHEMA	Pagina 57
OPNIEUW VOLTANKEN	Pagina 57
MOTOROLIE	Pagina 58
LUCHTFILTER	Pagina 58
BOUGIE	Pagina 59
VLIEGWIEL REMINSPECTIE (Indien uitgerust)	Pagina 59
VONKAFLEIDER (Indien uitgerust)	Pagina 59
UW MOTOR OPSLAAN	Pagina 59
VERVOEREN	Pagina 60
ONVERWACHTE PROBLEMEN BEHANDELEN	Pagina 61
TECHNISCH INFORMATIE	Pagina 61

VEILIGHEIDSBERICHTEN

Uw veiligheid en de veiligheid van anderen is bijzonder belangrijk. We hebben in deze handleiding en op de motor in belangrijke veiligheidsberichten voorzien. Lees deze berichten met aandacht.

Een veiligheidsbericht maakt u opmerkzaam op mogelijke gevaren die u of anderen kunnen bezeren. Elk veiligheidsbericht wordt voorafgegaan door een veiligheid alarmsymbool  en één van de drie volgende woorden: GEVAAR, WAARSCHUWING of VOORZICHTIG.

Deze waarschuwingswoorden betekenen:

GEVAAR

U WORDT GEDOOD of LOOPT ERNSTIG LETSEL OP als u de voorschriften niet opvolgt.

WAARSCHUWING

U KUNT worden GEDOOD of ERNSTIG LETSEL OPLOPEN als u de voorschriften niet opvolgt.

VOORZICHTIG

U KUNT LETSEL oplopen als u de voorschriften niet opvolgt.

Elk bericht vertelt u wat het gevaar is, wat er kan gebeuren, en wat u kunt doen om letsel te vermijden of te verminderen.

SCHADE PREVENTIEBERICHTEN

U zult ook andere belangrijke berichten zien die worden voorafgegaan door het woord MEDEDELING.

Dit woord betekent:

MEDEDELING

Uw motor of andere eigendommen kunnen worden beschadigd als u de voorschriften niet opvolgt.

Het doel van deze berichten is om schade aan uw motor, aan andere eigendommen of het milieu te voorkomen.

VEILIGHEIDSINFORMATIE

- Begrijp de werking van alle bedieningselementen en leer hoe de motor in geval van nood snel kan worden gestopt. Zorg ervoor dat de bediener adequate instructie ontvangt alvorens de uitrusting te bedienen.
- Sta kinderen niet toe om de motor te gebruiken. Houd kinderen en huisdieren uit de buurt terwijl de motor in gebruik is.
- De uitlaatgassen van uw motor bevatten giftige koolmonoxide. Laat de motor niet zonder adequate ventilatie draaien en laat de motor nooit binnenshuis draaien.
- De motor en de uitlaatgassen worden tijdens de werking erg heet. Houd de motor tijdens werking tenminste 1 meter weg van gebouwen en andere uitrusting. Houd brandbare materialen uit de buurt en zet niets op de motor als deze draait.

LOCATIEVEILIGHEIDSSTICKER

Deze sticker waarschuwt u voor risico's die ernstig letsel tot gevolg kunnen hebben. Lees deze zorgvuldig. Pagina 1.

Als de sticker losraakt of niet meer goed leesbaar is, kunt u bij uw Honda onderhoudsdealer een nieuwe sticker krijgen.

CONTROLES VÓÓR IN BEDRIJFSTELLING

IS UW MOTOR GEREED OM TE WERKEN?

Voor uw veiligheid, en om de levensduur van uw uitrusting te maximaliseren, is het erg belangrijk om wat tijd te nemen om de conditie ervan te controleren, alvorens u de motor laat draaien. Zorg ervoor om elk gevonden probleem op te lossen, of dit door uw service dealer te laten corrigeren, alvorens u de motor laat draaien.

WAARSCHUWING

Het onjuist onderhouden van deze motor of het falen een probleem vóór het draaien te corrigeren kan een storing veroorzaken waardoor u ernstig letsel kunt oplopen of wordt gedood. Voer altijd een inspectie uit vóór elke werking en corrigeer elk probleem.

Alvorens controles vóór de werking uit voeren, zorg ervoor dat de motor horizontaal staat en de vliegwiel remhefboom zich in de STOP of OFF (UIT) stand bevinden.

Controleer altijd de volgende items voordat u de motor start:

- Brandstofpeil (zie pagina 57).
- Oliepeil (zie pagina 58).
- LuchtfILTER (zie pagina 58).
- Algemene inspectie: controleer op vloeistoflekken en losse of beschadigde onderdelen.
- Controleer de door deze motor aangedreven uitrusting.

Bekijk opnieuw de voorschriften die bij de uitrusting zijn geleverd en die door deze motor worden aangedreven over alle voorzorgsmatregelen en procedures die opgevolgd dienen te worden alvorens de motor te starten.

WERKING

VEILIGE BEDIENING VOORZORGSMAATREGELEN

BefAlvorens de motor voor de eerste keer te laten draaien, bekijk hierboven weer het **VEILIGHEIDSINFORMATIE** deel op pagina 54.

Start de motor voor uw eigen veiligheid niet in een gesloten ruimte zoals een garage. De uitlaatgassen van uw motor bevatten giftige koolstofmonoxidegassen die zich in een gesloten ruimte snel kunnen concentreren en ziektes of de dood kunnen veroorzaken.

⚠ WAARSCHUWING

Uitlaatgassen bevatten giftig koolstofmonoxidegas dat zich in een gesloten ruimte tot gevaarlijke niveaus kan concentreren. De inademing van koolstofmonoxide kan leiden tot bewustzijnsverlies of de dood.

Laat de motor nooit draaien in een gesloten of zelfs een gedeeltelijk gesloten ruimte waar mogelijk mensen aanwezig zijn.

Bekijk opnieuw de voorschriften die bij de uitrusting zijn geleverd en die door deze motor worden aangedreven voor alle veiligheid voorzorgsmaatregelen die opgevolgd dienen te worden bij het starten, uitschakelen en werking.

Gebruik de motor niet op hellingen groter dan 20°.

GEBRUIKSFREQUENTIE

Als uw grasmaaier onregelmatig of periodiek wordt gebruikt (meer dan 4 weken tussen elk gebruik), raadpleeg dan het onderdeel **Brandstof** van het hoofdstuk OPLSAG (pagina 60) voor aanvullende informatie over brandstofverval.

DE MOTOR STARTEN/STOPPEN (Alle soorten)

Raadpleeg de onderstaande individuele diagrammen om het type bedieningselement van de motor te bepalen wanneer het deel van de *Werking* en andere delen van de handleiding worden gelezen.

- **Brandstofklep:** Draai de brandstofklep [1] in de stand ON.
- **Handmatige Choke** (Toepassing soorten): Schuif de chokestang [1] naar de ON (AAN) stand (koude motor).
Schuif de chokestang dan naar de stand OFF (UIT) zodra de motor warm genoeg is om zonder de choke te draaien.
- **Gasklep Instelling:** Het wordt voor de beste motorprestatie aanbevolen om de motor met de gasklep in de FAST (SNEL) (of hoge) stand te laten draaien.
- **Startergreep:** Trek lichtjes aan de startergreep [4] totdat een weerstand wordt gevoeld, trek dan hard.

MEDEDELING

Laat de startergreep niet tegen de motor terugspringen. Laat hem langzaam teruggaan om schade aan de starter te voorkomen.

- **Opnieuw Gestart:** Laat de motor minimaal drie minuten warmdraaien voordat u deze afzet om ervoor te zorgen dat het Auto Choke System™ makkelijk opnieuw kan worden gestart en optimaal presteert. Bij temperaturen lager dan 21°C moet u de motor langer laten warmdraaien.
- **Brandstofklep:** Draai de brandstofklep (kraan) in de stand OFF. Als uw uitrusting gedurende 3 tot 4 weken niet zal worden gebruikt, dan raden we aan om de brandstof uit de carburator van de motor te verwijderen. U kunt dit doen door de brandstofklep in de stand OFF (Uit) te zetten, de motor opnieuw te starten en de resterende brandstof op te gebruiken.

Type 1: Vliegwiel Rem, Choke/Gasklep op Afstand

DE MOTOR STARTEN

1. Plaats de gasklepregeling zodanig dat de choke/gasklephefboom* [2] zich in de CHOKE stand beweegt (koude motor).
2. Plaats de remregeling van het vliegwiel zodanig dat de remhefboom* [3] van het vliegwiel in de RUN stand staat.
3. Trek lichtjes aan de startergreep totdat een weerstand wordt gevoeld, trek dan hard.
4. Schuif de choke/gasklephefboom [2] dan naar de FAST (SNELLE) (of hoge) stand, zodra de motor warm genoeg is om zonder de choke te draaien.

DE MOTOR STOPPEN

1. Schuif de choke/gasklephefboom* [2] naar de SLOW (LANGZAME) stand.
2. Deblokkeer de vliegwiel remhefboom* [3] om de motor te stoppen.

Type 2: Vliegwiel Rem, Automatisch Choke, Gasklep Op Afstand

DE MOTOR STARTEN

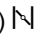
1. Plaats de gasklepregeling zodanig dat de gasklephefboom* [2] zich in de SNELLE stand beweegt.
2. Plaats de remregeling van het vliegwiel zodanig dat de remhefboom* [3] van het vliegwiel in de RUN stand staat.
3. Trek lichtjes aan de startergreep totdat een weerstand wordt gevoeld, trek dan hard.

DE MOTOR STOPPEN

1. Schuif de gasklephefboom* [2] naar de SLOW (LANGZAME) stand.
2. Deblokkeer de vliegwiel remhefboom* [3] om de motor te stoppen.

Type 3: Vliegwiel Rem, Automatische Choke Retour, Vaste Gasklep

DE MOTOR STARTEN

1. Schuif de chokehefboom [2] naar de chokestand (koude motor) .
2. Plaats de remregeling van het vliegwiel zodanig dat de remhefboom* [3] van het vliegwiel in de RUN stand staat.

De chokehefboom begint zich automatisch naar de OFF (UIT) stand te bewegen wanneer de vliegwiel remhefboom in de RUN (DRAAIEN) stand is geschoven.

3. Trek lichtjes aan de startergreep totdat een weerstand wordt gevoeld, trek dan hard.

De gasklep is bij dit type van tevoren ingesteld.

DE MOTOR STOPPEN

Deblokkeer de vliegwiel remhefboom* [3] om de motor te stoppen.

Type 4: Vliegwiel Rem, Automatisch Choke, Vaste Gasklep

DE MOTOR STARTEN

1. Plaats de remregeling van het vliegwiel zodanig dat de remhefboom* [3] van het vliegwiel in de RUN stand staat.
2. Trek lichtjes aan de startergreep totdat een weerstand wordt gevoeld, trek dan hard.

DE MOTOR STOPPEN

Deblokkeer de vliegwiel remhefboom* [3] om de motor te stoppen.

* Zie de handleiding voor de uitrusting.

Type 5: Schoepremkoppeling, Choke / Gasklep Op Afstand

DE MOTOR STARTEN

1. Plaats de gasklepregeling zodanig dat de choke/gasklephefboom* [2] zich in de CHOKE stand beweegt (koude motor).
2. Zorg ervoor dat de regelhefboom van de schoepremkoppeling* is uitgeschakeld (zie uitrustingshandleiding).
3. Trek lichtjes aan de startergreep totdat een weerstand wordt gevoeld, trek dan hard.
4. Schuif, zodra de motor start, de choke/gasklep/stophefboom langzaam naar de FAST (SNELLE) stand, Laat de motor op bedrijfstemperatuur warmdraaien en schakel dan de regelhefboom van de schoepremkoppeling* in .

DE MOTOR STOPPEN

1. Koppel de regelhefboom van de schoepremkoppeling los*.
2. Schuif de choke/gasklep/stophefboom [2] naar de SLOW (LANGZAME) stand en laat de motor voor een paar seconden stationair draaien, schuif de choke/gasklep/stophefboom naar de STOP-stand.

* Zie de handleiding voor de uitrusting.

Type 6: Schoepremkoppeling, Gasklep Op Afstand, Automatisch Choke

DE MOTOR STARTEN

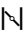


1. plaats de gasklepregeling zodanig dat de gasklephefboom* [2] zich in de SNEL stand beweegt.
2. Zorg ervoor dat de regelhefboom van de schoepremkoppeling is uitgeschakeld*.
3. Trek lichtjes aan de startergreep totdat een weerstand wordt gevoeld, trek dan hard.
4. Schuif, zodra de motor start, de choke/gasklep/stophefboom langzaam naar de FAST (SNELLE) stand, Laat de motor op bedrijfstemperatuur warmdraaien en schakel dan de regelhefboom van de schoepremkoppeling* in.

DE MOTOR STOPPEN



1. Koppel de regelhefboom van de schoepremkoppeling los*.
2. Schuif de choke/gasklep/stophefboom [2] naar de SLOW (LANGZAME) stand en laat de motor voor een paar seconden stationair draaien, schuif de choke/gasklep/stophefboom naar de STOP-stand.

Type 7: Handmatige Choke, Handmatige Gasklep

DE MOTOR STARTEN

1. Schuif de chokehefboom [2] naar de ON  (AAN) stand (koude motor).
2. Schuif de gasklephefboom [2] naar de stand FAST  (SNEL).
3. Trek lichtjes aan de startergreep totdat een weerstand wordt gevoeld, trek dan hard.
4. schuif de chokehefboom [2] dan naar de stand OFF  (UIT) zodra de motor warm genoeg is om zonder de choke te draaien.

DE MOTOR STOPPEN

Schuif de gasklephefboom naar de stand SLOW  (LANGZAAM), schuif de gasklephefboom naar de stand  STOP.

Type 8: Handmatige Choke, Vaste Gasklep, Motorstopschakelaar

DE MOTOR STARTEN

1. Schuif de chokestang [2] naar de (AAN) stand (koude motor).
2. Draai de motor stopschakelaar [3] in de stand ON (AAN).
3. Trek lichtjes aan de startergreep totdat een weerstand wordt gevoeld, trek dan hard.
De motorsnelheid is bij dit type van tevoren ingesteld.
4. Schuif de chokestang dan naar de stand OFF (UIT) zodra de motor warm genoeg is om zonder de choke te draaien.

DE MOTOR STOPPEN

Zet de motorschakelaar [3] in de OFF (UIT) stand.

Type 9: Handmatige Choke, Automatisch Gasklep, Motorstopschakelaar

DE MOTOR STARTEN

1. Schuif de chokestang [2] naar de (AAN) stand (koude motor).
2. Draai de motor stopschakelaar [3] in de stand ON (AAN).
3. Trek lichtjes aan de startergreep totdat een weerstand wordt gevoeld, trek dan hard.
4. schuif de chokestang [2] dan naar de stand OFF (UIT) zodra de motor warm genoeg is om zonder de choke te draaien.

De automatische gashendel functie werkt alleen wanneer de motor is volledig op temperatuur.

DE MOTOR STOPPEN

1. Verwijder de belasting van de motor, zodat de auto throttle geeft de motor stationair draaien.
2. Zet de motorschakelaar [3] in de OFF (UIT) stand.

* Zie de handleiding voor de uitrusting.

UW MOTOR ONDERHOUDEN

HET BELANG VAN ONDERHOUD

Goed onderhoud is essentieel voor een veilige, economische en probleemloze werking. Het helpt ook om milieuverontreiniging te verminderen.

WAARSCHUWING

Het onjuist onderhouden van deze motor of het falen een probleem vóór het draaien te corrigeren kan een storing veroorzaken waardoor u ernstig letsel kunt oplopen of wordt gedood.
Volg altijd de inspectie, onderhoudsaanbevelingen en schema's in deze gebruikershandleiding op.

Om u te helpen juist voor uw motor te zorgen, bevatten de volgende pagina's een onderhoudsschema, routine inspectieprocedures en eenvoudige onderhoudsprocedures met gebruik van fundamenteel handgereedschap. Het is het beste om andere onderhoudstaken die moeilijker zijn of die speciale gereedschappen vereisen door professionelen te laten uitvoeren, deze worden normaliter door Honda-monteurs uitgevoerd of door andere gekwalificeerde monteurs.

Het onderhoudsschema heeft betrekking op normale bedrijfscondities. Indien u uw motor onder zeer moeilijke omstandigheden laat draaien, zoals langdurige hoge belasting of werking onder hoge temperaturen, of de motor wordt onder natte en stoffige omstandigheden gebruikt, raadpleeg dan uw service dealer voor aanbevelingen die van toepassing zijn op uw individuele behoeften en gebruik.

Vergeet niet dat een door Honda gevlmachtigde service dealer uw motor het beste kent en volledig is uitgerust voor onderhoud en reparatie.

Gebruik alleen echte Honda-onderdelen of hun gelijke voor reparatie en vervanging om de beste kwaliteit en betrouwbaarheid te verzekeren.

ONDERHOUDSVEILIGHEID

Sommige van de belangrijkste veiligheid voorzorgsmaatregelen volgen. We kunnen u echter niet voor elk mogelijk gevaar waarschuwen dat zich bij het plegen van onderhoud kan voordoen. U alleen kunt bepalen of u een bepaalde taak wel of niet dient uit te voeren.

⚠ WAARSCHUWING

Het nalaten onderhoudsinstructies en voorzorgsmaatregelen juist op te volgen kan tot gevolg hebben dat u ernstig letsel oploopt of wordt gedood.

Volg de procedures en voorzorgsmaatregelen in deze gebruikershandleiding altijd op.

VEILIGHEID VOORZORGSMATREGELEN

- Zorg ervoor dat de motor is uitgeschakeld alvorens u met onderhoud of reparatie begint. Dit verwijdert verscheidene mogelijke gevaren:
 - **Koolmonoxidevergiftiging door uitlaatgassen van de motor.**
Wees er zeker van dat er adequate ventilatie is wanneer u werkt de motor.
 - **Brandwonden door hete onderdelen.**
Laat de motor en het uitlaatsysteem afkoelen alvorens deze aan te raken.
 - **Letsel door bewegende delen.**
Laat de motor alleen draaien wanneer hier instructies voor worden gegeven.
- Lees de instructies voordat u begint en zorg ervoor dat u het vereiste gereedschap en talent hebt.
- Wees voorzichtig wanneer er in de omgeving van benzine wordt gewerkt om de kans op brand of ontploffing te verminderen. Gebruik alleen een onbrandbaar oplosmiddel en geen benzine om onderdelen schoon te maken. Houd sigaretten, vonken en vlammen uit de buurt van alle aan brandstof gerelateerde onderdelen.

ONDERHOUDSSCHEMA

Elk tijdvak uitvoeren (of na het aantal aangegeven bedrijfsuren als dat eerder bereikt is). ⁽¹⁾

Servicetijdvak	Actie	Pagina
Voor Elk gebru	Controleren: Motorolie Controleren: LuchtfILTER	pagina 58 pagina 58
Na 1ste maand of 5 uur	Verwisselen: Motorolie	pagina 58
Elke 3 mnd of 25 uur	Reinigen: LuchtfILTER ⁽²⁾	pagina 58
Elke 6 mnd of 50 uur	Verwisselen: Motorolie ⁽³⁾ Reinigen: LuchtfILTER ⁽²⁾ Controleren: Vliegwielschoeprem (indien zij zijn uitgerust)	pagina 58 pagina 58 pagina 59

Servicetijdvak	Actie	Pagina
Elk jaar of 100 uur	6 mnd items hierboven, plus: Controleren-Bijstellen: Bougie Reinigen: Vonkafleider (indien zij zijn uitgerust) ⁽⁶⁾ Controleren: Schoepremkoppeling (indien zij zijn uitgerust) Controleren-Bijstellen: Stationaire toerental. Reinigen: Brandstoftank en filter Controleren-Bijstellen: Klepspelijng	pagina 59 pagina 59 (5) (4) (4) (4)
Elk 2 jaar of 100 uur	Per jaar items hierboven, plus: Verwisselen: LuchtfILTER Verwisselen: Bougie	pagina 58 pagina 59
Elk 2 jaar	Controleren: Brandstofiijn (vervangen indien nodig)	(4)

- (1) Registreer voor commercieel gebruik de bedrijfsuren om de juiste tussentijden voor onderhoud te bepalen.
- (2) Pleeg meer onderhoud wanneer gebruik in stoffige gebieden plaatsvindt.
- (3) Verwissel motorolie elke 25 uur wanneer gebruik onder zware belasting of in hoge omgevingstemperaturen plaatsvindt.
- (4) Deze items dienen door een gevlmachtigde Honda service dealer te worden onderhouden, behalve als u het juiste gereedschap hebt en u bent mechanisch vakkundig. Raadpleeg de Honda-werkplaatshandleiding voor onderhoudsprocedures.
- (5) Zie uw uitrustingshandleiding of Honda motor werkplaatshandleiding.
- (6) In Europa en andere landen waar richtlijn 2006/42/EC voor machines van kracht is, dient deze reiniging door uw onderhoudsgarage te worden uitgevoerd.

Als dit onderhoudsschema niet wordt opgevolgd, kan dit leiden tot defecten die niet door de garantie worden gedekt.

OPNIEUW VOLTANKEN

Deze motor is gecertificeerd voor werking op loodvrije benzine, met een research-octaangetal van 91 of hoger.

We raden aan om na elk gebruik bij te tanken zodat er zo weinig mogelijk lucht in de brandstoftank aanwezig is.

Vul het brandstofpeil bij als het laag is en doe dit in een goed geventileerde ruimte, terwijl de motor uit staat. Laat de motor eerst afkoelen als deze heeft gedraaid. Vul de motor nooit binnen waar de benzinedampen in aanraking kunnen komen met vlammen of vonken.

U mag normale loodvrije benzine gebruiken met maximaal 10% ethanol (E10) of 5% methanol van de inhoud. Daarnaast moet methanol cosolvents en corrosievertragers bevatten. Gebruik van benzine met hogere percentages ethanol of methanol dan hier aangegeven, kunnen problemen veroorzaken met starten en/of de rijprestaties. Tevens kan het de metalen, rubber en plastic onderdelen van het brandstofsysteem beschadigen. Bovendien is ethanol hygroscopisch, dit betekent dat het water aantrekt en vasthoudt in het brandstofsysteem. Beschadiging van de motor en problemen met rijprestaties die het resultaat zijn van gebruik van benzine met een percentage ethanol of methanol dat groter is dan hier aangegeven, vallen niet onder de garantie.

Gelieve als uw apparaat gebruikt zal worden op occasionele of periodieke basis (meer dan 4 weken tussen gebruik) het onderdeel *Brandstof* te raadplegen in het hoofdstuk UW MOTOR OPSLAAN (pagina 60) voor aanvullende informatie met betrekking tot de kwaliteitsafname van brandstof.

Gebruik nooit oudbakken of bevuilde benzine of een olie/benzinemengsel. Houd vuil of water buiten de brandstoftank.

⚠ WAARSCHUWING

Benzine is zeer brand- en ontplofbaar en u kunt brandwonden of ernstig letsel oplopen wanneer er opnieuw wordt volgetankt.

- Stop de motor en houd hitte, vonken en vlammen uit de buurt.
- Allen in de openlucht opnieuw voltanken.
- Veeg gemorste benzine onmiddellijk op.

Brandstof toevoegen

zie F1 op pagina 4.

1. Verwijder de dop van de brandstoftank.
2. Voeg brandstof toe tot aan de onderkant van de markering van het brandstofpeil inde nek van de brandstoftank [1]. Niet te vol vullen. Veeg gemorste brandstof op alvorens de motor te starten.
3. Zet de dop van de brandstoftank vast [2]. Draai de dop goed aan.
Ga ten minste 3 meter uit de buurt van de brandstofbron en locatie voordat u de motor start.

MEDEDELING

Brandstof kan verf en sommige soorten plastic beschadigen. Wees voorzichtig geen brandstof te morsen wanneer uw brandstoftank opnieuw wordt volgetankt. Schade veroorzaakt door gemorste brandstof wordt niet gedekt door de uw motorgarantie.

Brandstoftank

Sla uw brandstof in een nette, plastic, afgesloten container op die geschikt is voor brandstofopslag. Sluit het ventilatiegat af (indien voorzien) en stel de de tank niet bloot aan direct zonlicht. Als de brandstof langer dan 3 maanden wordt opgeslagen, raden we aan bij het vullen van de tank een stabiliseringsmiddel aan de brandstof toe te voegen.

Als u op het einde van het seizoen nog brandstof in uw opslagtank heeft, dan raadt het milieubeschermingsagentschap aan om deze benzine in de brandstoftank van uw auto te gieten.

MOTOROLIE

Motorolie is zeer belangrijk voor de prestaties en de levensduur van de motor. Gebruik daarom detergentie olie voor 4-taktmotoren.

Aanbevolen olie

Zie F2 op pagina 4.

Gebruik viertakt motorolie die aan de eisen van API-serviceclassificering SJ of gelijke. Voldoet, of deze overtreft. Controleer altijd het API-service etiket op het olieblek om er zeker van te zijn dat het de letters SJ of gelijke bevat.

SAE 10W-30 wordt aanbevolen voor algemeen gebruik. Andere op de tabel aangegeven viscositeiten mogen worden gebruikt wanneer de gemiddelde temperatuur in uw gebied binnen het aangegeven bereik ligt.

Oliepeilcontrole

Zie F2, F3 op pagina 4.

1. Controleer de olie met de motor uitgeschakeld en in horizontale stand.
2. Verwijder de olievuldop/peilstok [1] en veeg deze schoon.
3. Steek de olievuldop/peilstok in de olievulnek, zoals aangegeven, maar schroef deze niet in, verwijder deze vervolgens om het oliepeil te controleren.

4. Indien het oliepeil dicht bij of onder de laagste markering [2] op de peilstok ligt, verwijder dan de olievuldop/peilstok, en vul met de aanbevolen olie tot aan de hoogste markering [3]. Niet te vol vullen.
5. Plaats de olievuldop/peilstok weer terug.

Olieverversing

Zie F3 op pagina 4.

Laat de motorolie weglopen wanneer de motor warm is. Warme olie loopt snel en volledig weg.

1. Draai de brandstofklep (kraan) in de OFF (UIT) stand om de kans op brandstoflekkage te verminderen.
2. Zet een geschikte container naast de motor om de gebruikte olie op te vangen.
3. Verwijder de olievuldop/peilstok en laat de olie in de container weglopen door de motor in de richting van de olievulnek te kantelen [1].
Voer gebruikte olie op een met het milieu verenigbare manier af. We suggereren dat u voor terugwinning gebruikte olie in een gesloten container naar uw plaatselijke recyclingcentrum of benzinstation brengt. Gooi het niet in de afval en giet het niet op de grond of door een afvoer.
4. Vul tot de hoogste grensmarkering op de peilstok met de aanbevolen olie (zie hierboven) met de motor in een horizontale stand.

MEDEDELING

Door de motor met een laag oliepeil te laten draaien kan er zich motorschade voordoen.

5. Plaats de olievuldop/peilstok weer goed terug.

LUCHTFILTER

Een goed onderhouden luchtfilter zorgt ervoor dat er geen vuil in uw motor kan komen. Als er vuil in de carburator komt, dan kan dit in dit kanalen komen en ervoor zorgen dat de motor vroegtijdig verslijt. Deze kleine kanalen kunnen worden verstopt, wat werking- of startproblemen kan veroorzaken. Gebruik altijd een luchtfilter die geschikt is voor uw motor zodat u er zeker kunt zijn dat hij zoals bedoeld afdicht en werkt. U dient het filter vaker te reinigen als u de motor in erg stoffige gebieden gebruikt.

MEDEDELING

Door de motor zonder filter te bedienen, of met een beschadigd filter, komt vuil de motor binnen waardoor snelle motorslijtage wordt veroorzaakt. Dit soort schade wordt niet gedekt door de uw.

Inspectie

Zie F4 op pagina 4.

1. Druk op de vergrendeltabs [1] boven op het deksel van het luchtfilter [2] en verwijder het deksel. Controleer het filter [3] om er zeker van te zijn dat het schoon en in goede conditie is.
2. Zet het filter en het deksel van het luchtfilter weer terug.

Reiniging

Zie F4 op pagina 4.

1. Tik het filter verscheidene keren tegen een hard oppervlak om het vuil te verwijderen, of spuit perslucht niet meer dan 207 kPa door het filter vanaf de schone kant gezien van de kant van de motor. Probeer nooit om vuil af te borstelen. Borstelen forceert vuil in de vezels.

2. Veeg vuil met een vochtige doek van de behuizing van het luchtfilter en deksel [4]. Wees voorzichtig en voorkom dat vuil het luchtkanaal [5] binnendringt dat naar de carburateur leidt.

BOUGIE

Zie F5 op pagina 4.

Vereiste Bougie:

- | | |
|--------------|-----------------------------------|
| NGK - BPR6ES | toepassingen met hogedrukreiniger |
| NGK - BPR5ES | alle andere toepassingen |

De vereiste bougie heeft het juiste hittebereik voor normale motor bedrijfstemperaturen.

MEDEDELING

Verkeerde bougies kunnen motorschade veroorzaken.

Voor goede prestatie moet de bougie de juiste opening hebben en geen neerslag hebben.

1. Verwijder de bougiedop en vuil van het vonkgebied.
2. Gebruik de juiste maat bougiesleutel [1] om de bougie te verwijderen.
3. Inspecteer de bougie. Vervang de bougie indien deze is beschadigd, erg vuil is, de sluitring [2] in slechte staat verkeerd of als de elektrode versleten is. Indien de bougie opnieuw wordt gebruikt, maak deze dan met een staalborstel schoon.
4. Meet de opening van de elektrode met een passende ijkmaat. De juiste opening is 0,70 – 0,80 mm. Indien bijstelling nodig is, stel de opening dan bij door de zij-elektrode voorzichtig te buigen.
5. Installeer de bougie voorzichtig met de hand om de schroefdraad niet te beschadigen (niet kruislings inschroeven).
6. Draai de bougie nadat deze is ingeschroefd met de juiste maat bougiesleutel goed vast om de sluitring samen te drukken.

Wanneer er een nieuwe bougie wordt geïnstalleerd, draai deze dan met een 1/2 slag goed vast nadat de bougie op zijn plaats zit, om de sluitring samen te drukken.

Wanneer de oorspronkelijke bougie opnieuw wordt geïnstalleerd, draai deze dan met een 1/8 – 1/4 slag goed vast nadat de bougie op zijn plaats zit, om de sluitring samen te drukken.

MEDEDELING

Draai de bougie op de juiste wijze vast. Een losse bougie kan erg heet worden en de motor beschadigen. Het te strak aandraaien van de bougie kan de schroefdraad in de cilinderkop beschadigen.

7. Plaats de bougiedop weer terug op de bougie.

VLIEGWIEL REMINSPECTIE (Indien uitgerust)

Zie F6, F7 op pagina 4.

1. Verwijder de drie flensmoeren [1] van de terugloopstarter [2] en verwijder de terugloopstarter van de motor.
2. Verwijder de brandstoftank [3] van de motor zonder de brandstoftank [4] los te maken. Indien de brandstoftank brandstof bevat, houd de tank dan horizontaal terwijl u deze verwijdert en plaats hem naast de motor in een horizontale stand.
3. Controleer de dikte van de remschoen [5]. Indien deze minder dan 3 mm is, breng uw motor dan naar uw gevolmachtigde Honda service dealer.
4. Installeer de brandstoftank en de terugloopstarter en draai de drie moeren goed vast.

VONKAFLEIDER (Indien uitgerust)

Zie F8 op pagina 4.

In Europa en andere landen waar richtlijn 2006/42/EC voor machines van kracht is, dient deze reiniging door uw onderhoudsgarage te worden uitgevoerd.

De vonkafleider moet elke 100 uur worden onderhouden om deze naar ontwerp te laten werken.

Indien de motor heeft gedraaid is de geluiddemper heet. Laat deze afkoelen alvorens de vonkafleider te onderhouden.

Verwijdering vonkafleider

1. Verwijder de drie bouten van 6 mm [1] van de beschermer van de geluiddemper [2] en verwijder de beschermer van de geluiddemper.
2. Verwijder de speciale schroef [3] van de vonkafleider [4] en verwijder de vonkafleider van de geluiddemper [5].

Vonkafleider reiniging & inspectie

1. Gebruik een borstel om koolstofneerslag van het scherm van de vonkafleider te verwijderen. Wees voorzichtig en beschadig het scherm niet. Vervang de vonkafleider als deze breuken of gaten heeft.
2. Installeer de vonkafleider in omgekeerde volgorde als de verwijdering.

UW MOTOR OPSLAAN

Juiste opslag is essentieel om uw motor probleemvrij te houden en hem er goed uit te laten zien. De volgende stappen helpen om te voorkomen dat roest en aantasting uw motorfuncties en aanzien schaden en dragen ertoe bij dat de motor gemakkelijker start wanneer u hem weer gebruikt.

Reiniging

Indien de motor heeft gedraaid, laat hem dan vóór het reinigen tenminste een half uur afkoelen. Reinig alle externe oppervlakken, retouche beschadigde verf en bedek andere plaatsen die kunnen roesten met een dunne laag olie.

MEDEDELING

Het gebruik van een tuinslang of onder druk werkende reinigungsapparatuur kan water in de opening van het luchtfilter of de geluiddemper forceren. Water in de luchtreiniger doordrenkt het luchtfilter en water dat door het luchtfilter of de geluiddemper gaat kan de cilinder binnendringen en schade veroorzaken.

Brandstof

MEDEDELING

Afhankelijk van de streek waar u uw apparaat gebruikt, kan de kwaliteit van de brandstofsamenstelling slechter zijn en kan deze sneller oxideren. Een kwaliteitsafname en oxidatie van de brandstof kan al na 30 dagen voorkomen, en kan schade toebrengen aan de carburator en /of het brandstofsysteem. Gelieve uw onderhoudsdealer te raadplegen voor lokale aanbevelingen in verband met de bewaring.

Benzine verouderd tijdens de opslag. Oude benzine veroorzaakt startproblemen harsafzetting waardoor de brandstoftoevoer verstopt raakt. Als de benzine in uw maaier tijdens de berging verouderd, moeten de carburateur en andere onderdelen van de brandstoftoevoer mogelijk gerepareerd of vervangen worden.

Hoe lang u benzine in de tank en de carburateur kunt laten zitten zonder dat dit motorstoring veroorzaakt, is afhankelijk van verschillende factoren, zoals het type mengsel, de temperatuur in de berging en hoe vol de tank is. Door de lucht in een niet-volle tank verouderd de benzine eerder. Bij een hoge temperatuur in de berging zal de benzine sneller verouderen. Benzine kan al binnen enkele maanden verouderen, of nog eerder als u de tank met benzine had gevuld die niet vers was.

Als je een container voor het tanken van benzine, er zeker van zijn dat het alleen verse benzine bevat.

Als de brandstof langer dan 3 maanden wordt opgeslagen, raden we aan bij het vullen van de tank een stabiliseringsmiddel aan de brandstof toe te voegen.

Schade aan de brandstoftoevoer of problemen met de motor doordat u de berging niet zorgvuldig hebt voorbereid, vallen niet onder de garantie.

Kortstondige opslag (30-90 dagen)

Als uw uitrusting gedurende 30 tot 90 dagen niet wordt gebruikt, dan raden we het volgende aan om brandstofgerelateerde problemen te vermijden:

1. Voeg benzinestabilisator toe volgens de instructies van de fabrikant.
Bij het toevoegen van een benzinestabilisator, vul de brandstoftank met verse benzine. Indien slechts gedeeltelijk gevuld is, de lucht in de tank brandstof verslechtering tijdens de opslag te bevorderen.
Opmerking:
 - Alle stabiliseringsmiddelen hebben een beperkte houdbaarheid en hun prestatie zal na verloop van tijd vervallen.
 - Brandstofstabilizeringsmiddelen vervangen niet gewone brandstof.
2. Na het toevoegen van een benzine stabilisator laat u de motor gedurende 10 minuten buiten draaien om te verzekeren dat de onbehandelde benzine in het brandstofsysteem is vervangen door de behandelde benzine.
3. Stop de motor en draai de brandstofklep naar de DICHT-stand.
4. Start de motor en laat de motor draaien totdat deze stopt door gebrek aan brandstof in het brandstofreservoir van de carburateur. Laat de motor minder dan 3 minuten draaien.

Langdurige opslag (langer dan 90 dagen)

Start de motor en laat hem lang genoeg draaien totdat er geen benzine meer in het brandstofsysteem is (inclusief de brandstoftank). Laat geen benzine in de motor als u de machine langer dan 90 dagen niet gaat gebruiken.

Motorolie

1. Verwissel de motorolie (zie pagina 58).
2. Verwijder de bougie (zie pagina 59).
3. Giet 5 – 10 cc schone motorolie in de cilinder.
4. Trek verscheiden keren aan de terugloopstarter om de olie te distribueren.
5. Installeer de bougie opnieuw.

Opslag voorzorgsmaatregelen

Indien uw motor met benzine in de brandstoftank en in de carburateur wordt opgeslagen, dan is het belangrijk om het gevaar voor de ontbranding van benzinedamp te verminderen. Selecteer een goed geventileerd opslaggebied, weg van alle apparatuur die met een vlam werkt, zoals een oven, boiler of droogtrommel voor kleding. Vermijd eveneens elk gebied met een vonk producerende elektrische motor of waar elektrisch gereedschap wordt bediend.

Waar mogelijk, vermijd opslaggebieden met hoge vochtigheid omdat dit roesten en aantasten bevordert.

Indien er benzine in de brandstoftank zit, laat dan de brandstofklep (kraan) in de OFF (UIT) stand staan.

Houd de motor tijdens opslag horizontaal. Kantelen kan het lekken van brandstof of olie veroorzaken.

Bedek de motor voor het tegengaan van stof, nadat de motor en de uitlaat zijn afgekoeld. Een hete motor of uitlaatsysteem kan sommige materialen ontbranden of smelten. Gebruik geen dun plastic als een stofhoes. Een bedekking die niet poreus is sluit vocht rond de motor op waardoor roest en aantasting wordt bevordert.

Uit opslag halen

Controleer uw motor zoals dit staat beschreven in het deel *CONTROLES VÓÓR IN BEDRIJFSTELLING* van deze handleiding (zie pagina 54).

Indien de brandstof was afgevoerd tijdens de voorbereidingen voor opslag, vul de tank dan met verse benzine. Indien u een benzineblik voor het opnieuw voltanken hebt staan, zorg er dan voor dat dit blik alleen verse benzine bevat. Benzine oxideert en verslechtert over tijd waardoor het starten moeilijk wordt.

Indien de cilinder tijdens de opslag voorbereidingen met olie was bedekt, dan zal de motor bij het starten kort roken. Dit is normaal.

VERVOEREN

Houd de motor tijdens het vervoer horizontaal om de kans op brandstoflekken te verminderen. Draai de brandstofklep (kraan) in de stand OFF (UIT).

Neem de instructies door die zijn geleverd bij de apparatuur die wordt aangedreven door deze motor voor alle procedures die moeten worden gevolgd bij transport.

ONVERWACHTE PROBLEMEN BEHANDELEN

Motor start niet

MOGELIJKE OORZAAK	CORRECTIE
Brandstofklep (kraan) OFF (UIT).	Schuif de hefboom naar ON (AAN).
Choke OFF (UIT).	Schuif de hefboom van de choke/gasklep, chokestang of chokehefboom naar de CHOKE ON (AAN) stand, behalve als de motor warm is.
Ontstekingschakelaar of motor stopschakelaar OFF (UIT).	Schuif de vliegwiel remhefboom naar de RUN stand. (Gasklephefboom in de FAST (SNELLE) stand. Motor stopschakelaar op ON (AAN).
Geen brandstof.	Opnieuw voltanken.
Slechte brandstof, motor opgeslagen zonder de benzine te hebben behandeld of afgevoerd, of opnieuw volgetank met slechte benzine.	Opnieuw voltanken met verse benzine.
Bougie is slecht, vuil of heeft onjuiste opening.	Vervang de bougie (p. 59).
Bougie nat met brandstof (overstroomde motor).	Drogen en bougie opnieuw installeren. Start de motor met de choke/gasklephefboom in de FAST (SNELLE) stand. (Choke OFF (UIT) stand.)
Brandstoffilter verstopt, carburateur defect, ontsteking defect, kleppen zitten vast enz.	Vervang of repareer defecte componenten waar nodig.

Motor komt kracht tekort

MOGELIJKE OORZAAK	CORRECTIE
Filter verstopt.	Filter reinigen of vervangen (p. 58).
Slechte brandstof, motor opgeslagen zonder de benzine te hebben behandeld of afgevoerd, of opnieuw volgetank met slechte benzine.	Opnieuw voltanken met verse benzine.
Brandstoffilter verstopt, carburateur defect, ontsteking defect, kleppen zitten vast enz.	Vervang of repareer defecte componenten waar nodig.

TECHNISCH INFORMATIE

Serienummer van de motor en type locatie

Zie figure op pagina 53.

Noteer het serienummer van de motor en het type in de onderstaande ruimte. U hebt deze informatie nodig wanneer onderdelen worden besteld en bij het inwinnen van technische- of garantie vragen.

MOTORTYPE	SERIENUMMER	TYPE
GSV160 or 190	_____ - _____	_____
Aanschafdatum	_____	

Carburateurinstellingen voor werking op grote hoogtes

Het standaard carburateur lucht-brandstofmengsel is te rijk op grote hoogtes. Prestatie vermindert en brandstofverbruik vermeerdert. Een erg rijk mengsel vervuilt ook de bougie en veroorzaakt slecht starten. Het voor langere tijd werken op een hoogte die verschilt van die waarop de motor was gecertificeerd, kan de uitstotingen verhogen.

Prestatie op grote hoogtes kan door specifieke wijzigingen aan de carburateur worden verbeterd. Indien u altijd uw trimmer op hoogtes boven 1.500 meter gebruikt, laat dan uw service dealer de wijziging aan de carburateur uitvoeren. Wanneer deze motor op grote hoogte

met wijzigingen aan de carburateur wordt gebruikt, dan voldoet deze aan elke norm voor uitstotingen gedurende zijn gebruiksduur.

Zelfs met carburateurwijzigingen zullen de paardenkrachten van de motor met ongeveer 3,5% met elke stijging van 300 meter verminderen. Het hoogte-effect op paardenkrachten wordt groter dan dit als er geen carburateurwijziging is uitgevoerd.

MEDEDELING

Wanneer de carburateur voor gebruik op grote hoogtes is gewijzigd, dan is het lucht-brandstofmengsel te arm voor gebruik op lagere hoogtes. Werking op hoogtes onder 1.500 meter met een gewijzigde carburateur kan het oververhitten van de motor en ernstige motorschade tot gevolg hebben. Laat uw service dealer de carburateur terugzetten op de oorspronkelijke fabrieksspecificaties voor gebruik op lage hoogtes.

Specificaties

GSV160

Lengte x Breedte x Hoogte	370 x 345 x 360 mm
Droog gewicht	12,8 kg
Motortype	Viertakt, bovenliggende nokkenas, enkele cilinder
Cilinderinhoud [Boring x Slag]	160 cm ³ [64 x 50 mm]
Motorolie-inhoud	0,50 L
Inhoud brandstoftank	0,91 L
Brandstofverbruik	1,1 L/h bij 3.000 rpm
Koelsysteem	Gestuwde lucht
Ontstekingsstelsel	Getransistoriseerd magneetapparaat
PTO-asrotatie	Tegen de klok in

GSV190

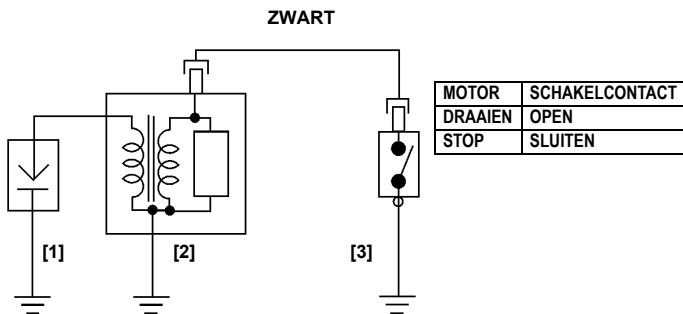
Lengte x Breedte x Hoogte	370 x 342 x 360 mm
Droog gewicht	13,5 kg
Motortype	Viertakt, bovenliggende nokkenas, enkele cilinder
Cilinderinhoud [Boring x Slag]	186 cm ³ [69 x 50 mm]
Motorolie-inhoud	0,50 L
Inhoud brandstoftank	0,91 L
Brandstofverbruik	1,3 L/h bij 3.000 rpm
Koelsysteem	Gestuwde lucht
Ontstekingsstelsel	Getransistoriseerd magneetapparaat
PTO-asrotatie	Tegen de klok in

Snelle naslaginformatie

ITEM	BESCHRIJVING	NOTITIE
Brandstof	Type	Benzine met een research-octaangetal van 91 of hogerr (pagina 57).
Motorolie	Type	SAE 10W-30, API SJ, voor algemeen gebruik. Raadpleeg pagina 58. * Hoeveelheid bij te vullen: 0,35 ~ 0,40 liter
Carburateur	Stationair draaien	1.700 ± 5.750 rpm
Bougie	Type	NGK BPR6ES (toepassingen met hogedrukreiniger) NGK BPR5ES (alle andere toepassingen)
Onderhoud	Vóór elk gebruik	Controleer het oliepeil van de motor. Raadpleeg pagina 58. Luchtfilter controleren. Raadpleeg pagina 58.
	Eerste 5 uur	Motorolie verwisselen. Raadpleeg pagina 58.
	Volgend	Raadpleeg het onderhoudsschema op pagina 57.

* Werkelijke hoeveelheid kan verschillen wegens resterende olie in de motor. Gebruik altijd de peilstok om het werkelijke oliepeil te bevestigen.

Bedradingsschema



[1]	BOUGIE
[2]	BOBINE
[3]	MOTORSTOPSCHAKELAAR

Afstellingsspecificaties

ITEM	SPECIFICATIE	ONDERHOUD
Bougie-opening	0,7 – 0,8 mm	Raadpleeg pagina 59.
Klebspeling (koud)	IN: 0,15 ± 0,04 mm EX: 0,20 ± 0,04 mm	Zie uw gevormachte Honda-dealer
Overige specificaties	Geen overige bijstellingen nodig.	

CONSUMENTENINFORMATIE

Honda-uitgaven

Deze uitgaven geven u aanvullende informatie over het onderhouden en repareren van uw motor. U kunt ze bestellen bij uw gevolmachtigde onderhoudsdealer van Honda-motor.

Werkplaatshandleiding	Deze handleiding behandelt volledige onderhoud- en revisieprocedures. Deze handleiding is bedoeld om door een vakkundig monteur te worden gebruikt.
Onderdelenatologus	Deze handleiding voorziet in een volledige, geïllustreerde onderdelenlijst.

Informatie over dealerzoekfunctie

Bezoek onze website: honda-engines-eu.com

Klantenservice-informatie

De onderhoudsmonteurs bij uw dealerverstiging zijn goed opgeleide vakmensen. Zij zullen vrijwel elke vraag waarmee u zit kunnen beantwoorden. Als u een probleem heeft dat uw dealer niet naar tevredenheid oplost, bespreek dit dan met het management van de dealerverstiging. De werkplaatsmanager, algemeen manager of de eigenaar kunnen u helpen. Vrijwel alle problemen worden op deze wijze opgelost.

Het Honda-kantoor

Als u schrijft of belt, geef dan de volgende informatie door:

- De naam van de fabrikant en het modelnummer van de apparatuur waaraan de motor is gemonteerd
- Motoruitvoering, serienummer en type (zie pagina 1)
- Naam van de dealer die de motor aan u verkocht
- Naam, adres en contactpersoon van de dealer die het onderhoud aan uw motor verricht
- Aanschafdatum
- Uw naam, adres en telefoonnummer
- Een gedetailleerde beschrijving van het probleem

INFORMASI GARANSI INTERNASIONAL UNTUK MESIN SERBA GUNA Honda

Mesin Serba Guna Honda yang dipasang pada produk buatan manufaktur lain (OEM) ini dijamin oleh garansi Honda, berdasarkan persyaratan berikut:

- Syarat garansi ini berlaku bagi mesin serba guna yang ditetapkan Honda untuk masing-masing negara.
- Garansi ini berlaku untuk kerusakan mesin yang disebabkan oleh masalah produksi atau spesifikasi.
- Garansi ini tidak berlaku bagi negara-negara yang tidak memiliki distributor Honda.

Cara mereparasi produk yang memiliki garansi:

Bawalah produk Anda ke dealer yang berkaitan dengan produk-produk mesin Honda atau dealer tempat Anda membeli produk tersebut, dengan membawa nota pembelian yang Anda terima saat Anda membeli produk tersebut sebagai bukti bahwa produk Anda masih memiliki garansi. Apabila dealer tersebut menilai bahwa mesin Anda perlu diperbaiki, maka perbaikan akan diberikan.

KETERANGAN JAMINAN ANTARABANGSA UNTUK Honda GENERAL PURPOSE ENGINES

The Honda General Purpose Engine yang diinstal dalam produk OEM dilindungi oleh jaminan Honda, dalam penerimaan berikut:

- Syarat jaminan menurut kepada general-purpose engine yang dikeluarkan oleh Honda di setiap negara.
- Syarat jaminan berlaku untuk kerusakan mesin yang disebabkan sebarang pembuatan atau spesifikasi tertentu.
- Jaminan ini tidak berlaku untuk negara dimana yang tidak ada pedagang honda.

Bagaimana hendak membetulkan/membaiki produk anda dibawah jaminan:

Hantarkan produk OEM anda kepada pedagang yang mengedar produk Honda Power atau pedagang yang anda beli produk anda daripada, dengan resit dimasa pembelian sebagai bukti yang produk anda masih dibawah jaminan kerosakan. Sekiranya pedagang mengutarakan supaya produk anda perlu dibaki, jaminan membaikan akan di jalankan.

INTERNATIONAL WARRANTY INFORMATION FOR Honda GENERAL PURPOSE ENGINES

The Honda General Purpose Engine installed on this OEM product is covered by a Honda warranty, on the following assumptions.

- The warranty conditions conform to those for the general purpose engine established by Honda for each country.
- The warranty conditions apply to engine failures caused by any manufacturing or specification problem.
- The warranty does not apply to countries where there is no Honda distributor.

How to have your product repaired under warranty:

Bring your OEM product to the dealer who deals with Honda power products or the dealer who you purchased your product from, with the receipt you received at the time of purchase as evidence that your product is still under warranty. If the dealer judges that the engine needs to be repaired, warranty repair will be performed.

معلومات عن الضمانة الدولية لحرركات هوندا للأغراض العامة

محرركات هوندا للأغراض العامة التي تم تركيبها على المنتجات التي تم صنعها بواسطة شركات أخرى تكون مشمولة بضمانة هوندا، وتخضع الضمانة الأساسية لما يلي:

- حالات الضمانة المطابقة لهذه المحركات للأغراض العامة تم وضعها من قبل هوندا لكل بلد.
- يتم تطبيق شروط الضمانة إلى أعمال المحرك التي سببها من أي خلل بالتصنيع أو مشكلات بالمواد.
- لا يتم تطبيق الضمانة على البلدان التي لا يوجد فيها موزع هوندا.

كيفية إصلاح جهازك تحت هذه الضمانة

خذ جهازك إلى الوكيل الذي يتعامل بمنتجات المنطقة من هوندا أو الوكيل الذي اشتريته منه مع مستند الشراء الذي استلمته عند وقت الشراء. كبرهان على أن جهازك لازال مشمول بالضمانة. إذا قرر الوكيل أن المحرك، في حاجة إلى الإصلاح، يتم تنفيذ التصليح حسب الضمانة.

本田通用引擎國際保固通知

該OEM產品 中安裝的本田通用引擎包含有下列前提下的保固承諾。

- 保固條件應符合本田針對各國製定的通用引擎的保固條件。
- 保固條件適用於因任何製造或規格問題所造成的引擎故障。
- 該保固不適用於無本田經銷商之國家。

如何使您的產品得到保固修理:

將您的OEM產品送到辦理本田動力產品的經銷商或您購買該產品的經銷商, 出示購買時所得到的發票, 以證明您的產品仍在保固期內. 若經銷商斷定該引擎需要修理時, 就會得到保固修理.

혼다 범용엔진에 대한 보증수리 안내

이 OEM제품에 장착된 혼다 범용엔진은 혼다 보증수리 기준에 따라 다음과 같이 적용됩니다.

- 각 나라별 혼다가 정한 범용엔진 보증조건을 따릅니다.
- 엔진결함의 원인이 제조상 또는 재원상일 경우에 보증조건을 따릅니다.
- 보증수리는 혼다 디스트리뷰터가 없는 나라에서는 적용되지 않습니다.

보증수리방법

OEM 제품인 보증수리기간 내에 있다는 증명서인 품질 보증서와 영수증을 지참하고 혼다범용엔진 딜러 또는 OEM제품을 구매한 딜러에게 방문하면 됩니다. 만일 그 딜러가 판단하여 엔진 수리가 필요할 경우 보증수리가 진행될 것입니다.

Honda 汎用エンジン 保証のご案内

このOEM製品(相手先ブランド製品)に搭載されたHonda汎用エンジンにはHondaの保証が適用されます。基本的な考え方は、以下の通りです。

- 保証条件は、その国においてHondaが定めている汎用エンジンの保証条件に従います。
- エンジン修理の原因が製造上、仕上のトラブルによるものである場合に保証が適用されます。
- その国にHondaディストリビューターが無い場合は、保証は受けられません。

保証修理の受け方

保証期間内であることの確認のため、製品購入時の領収書と共に、Honda汎用製品を買っているディーラー又はOEM製品をお買い上げになったディーラーに製品をお持ちください。Hondaエンジンを修理する必要があるとそのディーラーが判断した場合は、保証修理が行われます。

INFORMATIONS SUR LA GARANTIE INTERNATIONALE DES MOTEURS A USAGE GENERAL Honda

Le moteur à usage général Honda installé sur ce matériel OEM est couvert par une garantie Honda dans les conditions suivantes:

- Les conditions de garantie sont conformes à celles pour le moteur à usage général établies par Honda pour chaque pays.
- Les conditions de garantie s'appliquent aux pannes de moteur causées par un problème de fabrication ou de spécification.
- La garantie ne s'applique pas aux pays où il n'existe pas de distributeur Honda.

Comment faire réparer votre matériel sous la garantie:

Amenez votre matériel OEM chez le revendeur s'occupant de matériels de puissance Honda ou chez le revendeur où vous avez acheté votre matériel, avec le reçu d'achat en main comme preuve que votre matériel est encore sous garantie. Si le revendeur estime que le moteur a besoin d'être réparé, la réparation aura lieu sous garantie.

INFORMATIONEN ZUR INTERNATIONALEN GARANTIE FÜR Honda-INDUSTRIEMOTOREN

Der in diesem Erstausrüster-Produkt installierte Honda-Industriemotor ist unter den nachfolgend aufgeführten Voraussetzungen von der Honda-Garantie abgedeckt.

- Die für Industriemotoren geltenden Garantiebestimmungen wurden von Honda für jedes Land festgelegt.
- Die Garantie gilt für Motordefekte, die durch einen Fabrikationsfehler oder inkorrekte Spezifikationen verursacht wurden.
- Die Garantie gilt nicht in Ländern, in denen kein Honda-Großhändler vorhanden ist.

Vorgehensweise bei einem Garantiefall:

Bringen Sie Ihr Erstausrüster-Produkt zu einem Honda-Händler für motorbetriebene Geräte oder zu Ihrem Verkaufshändler. Zum Beweis, daß das Produkt noch durch die Garantie abgedeckt ist, muß zu dieser Zeit der Verkaufsbeleg vorgelegt werden. Nachdem der Händler bestätigt, daß eine Reparatur des Motors erforderlich ist, werden die nötigen Garantiearbeiten ausgeführt.

INTERNATIONALE GARANTIE INFORMATIE VOOR Honda ALGEMEEN-GEbruik MOTOREN

De Honda algemeen-gebruik motor die op dit EOM product is gemonteerd, is gedekt door een Honda garantie, waarbij het volgende in acht moet worden genomen:

- De garantievoorwaarden voldoen aan die voor de algemeen-gebruik motoren opgesteld door Honda voor ieder land.
- De garantievoorwaarden zijn van toepassing op motordefecten die veroorzaakt zijn door fabricage- of specificatiefouten.
- De garantie geldt niet in landen waar geen Honda distributeur is.

Repareren van het product onder de garantie:

Breng uw OEM product naar een dealer die Honda elektrische producten verkoopt of naar de dealer waarvan u het product heeft gekocht, tezamen met het bewijs van aankoop zodat de dealer kan zien dat het product nog onder de garantie is. Indien de dealer van oordeel is dat de motor gerepareerd moet worden, zal deze onder de garantie worden gerepareerd.

INFORMAZIONE SULLA GARANZIA INTERNAZIONALE PER I MOTORI Honda PER USO GENERICO

La garanzia Honda è applicabile sui motori Honda per uso generico che equipaggiano macchine prodotte da altri costruttori ed è assoggettata alle seguenti regole:

- Le condizioni di garanzia sono conformi a quelle per i motori per uso generico stabilite da Honda per ogni nazione.
- Le condizioni di garanzia si applicano da problemi del motore causati da qualsiasi problema di produzione o specifico.
- La garanzia non si applica alle nazioni nelle quali non è presente nessun rivenditore Honda.

Procedura per ottenere interventi in garanzia:

Portare il prodotto di altro costruttore dal rivenditore che tratta prodotti motorizzati Honda o dal rivenditore dal quale si è acquistato il prodotto, con la ricevuta fornita nel momento dell'acquisto, come prova che il prodotto è ancora in garanzia. Se il rivenditore ritiene che il motore necessita di riparazioni, verranno eseguite le riparazioni in garanzia.

INFORMACIÓN SOBRE LA GARANTÍA INTERNACIONAL DE LOS MOTORES Honda DE USO GENERAL

El motor Honda de uso general instalado en este producto de fabricante de equipo original (OEM) está cubierto por una garantía de Honda, bajo las condiciones siguientes.

- Las condiciones de garantía conforman las de los motores de uso general establecidas por Honda para cada país.
- Las condiciones de garantía se aplican a las averías de motores causadas por un problema de fabricación o de especificaciones.
- La garantía no se aplica en los países en los que no haya ningún distribuidor de Honda.

Cómo hacer para que le reparen su producto en garantía:

Lleve su producto OEM al concesionario que comercializa productos motorizados Honda o al concesionario donde usted compró su producto, llevando el recibo que le entregaron en el momento de la compra como prueba de que su producto está todavía en garantía. Si el concesionario cree que hay que reparar el motor, se le realizará la reparación aplicando la garantía.

INFORMAÇÃO SOBRE A GARANTIA INTERNACIONAL PARA MOTORES Honda PARA USO GERAL

O motor Honda para uso geral neste produto OEM é coberto pela garantia Honda de acordo com as seguintes condições.

- As condições da garantia conformam com as condições de garantia para motores de uso geral estabelecidas pela Honda no país em questão.
- As condições da garantia são para falhas do motor causadas por qualquer problema de fabricação ou especificação.
- A garantia não é válida em países onde não há um distribuidor Honda.

Para obter o serviço sob a garantia:

Lleve o seu produto OEM para um revendedor que venda produtos montados com motor Honda ou ao revendedor onde comprou o produto, com o recibo que recebeu no ato da compra como uma evidência que o produto ainda está na garantia. Se o revendedor julgar que o motor precisa ser reparado, o reparo será realizado através da garantia.

本田通用发动机国际保修通知

该OEM产品中安装的本田通用发动机包含有下列前提下的本田保修承诺。

- 保修条件应符合本田针对各国制定的通用发动机的保修条件。
- 保修条件适用于因任何制造或规格问题所造成的发动机故障。
- 该保修不适用于无本田经销商的国家。

如何使您的产品得到保修修理:

将您的OEM产品送到办理本田动力产品的经销商或您购买该产品的经销商, 出示购买时所得到的发票, 以证明您的产品仍在保修期内. 若经销商断定该发动机需要修理时, 就会得到保修修理.

ข้อมูลเกี่ยวกับบริการรับประกันเครื่องยนต์ระหว่างประเทศ สำหรับเครื่องยนต์บนประจําชนิดของรถ

เครื่องยนต์บนประจําชนิดของรถที่ได้รับการติดตั้งอยู่ในผลิตภัณฑ์ OEM นี้ ใ้ถูกครอบคลุมอยู่ในการรับประกันของฮอนด้าตามเงื่อนไขดังต่อไปนี้

- เงื่อนไขในการรับประกันนี้ใช้สำหรับเครื่องยนต์บนประจําชนิดที่ถูกผลิตโดยฮอนด้าในแต่ละประเทศ
- เงื่อนไขในการรับประกันนี้จะรับประกันเกี่ยวกับข้อบกพร่องหรือข้อผิดพลาดที่เกิดจากการผลิตหรือข้อบกพร่องที่มิได้ระบุเฉพาะ
- การรับประกันนี้จะไม่ครอบคลุมถึงประเทศที่ไม่มีตัวแทนจำหน่ายของฮอนด้า

การเข้ารับการซ่อมภายใต้เงื่อนไขการรับประกัน

นำผลิตภัณฑ์OEM ของท่านไปยังตัวแทนผู้จำหน่ายที่มีการออกกํานัลของฮอนด้าผลิตภัณฑ์เครื่องยนต์หรือตัวแทนที่ท่านได้ทำการซื้อผลิตภัณฑ์นั้นพร้อมด้วยใบเสร็จรับเงินที่ท่านได้รับในตอนที่ซื้อผลิตภัณฑ์นั้น นำผลิตภัณฑ์ของฮอนด้าที่ท่านซื้อไปในช่วงเวลาของการรับประกันนี้มายังตัวแทนผู้จำหน่ายฮอนด้าที่เรามีตัวแทนคําดึงได้รับการซ่อมแซมเครื่องยนต์จะได้รับการซ่อมภายใต้เงื่อนไขการรับประกัน

