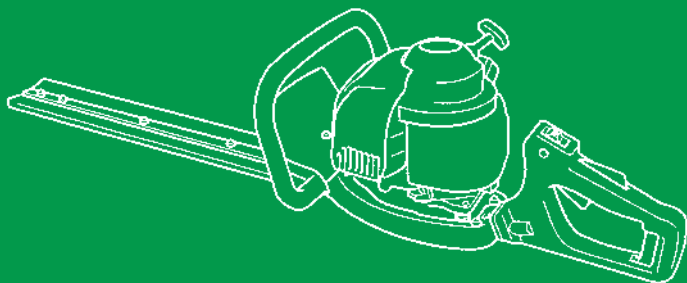


HEDGE TRIMMER

HHH25D/HHH25S



OWNER'S MANUAL
MANUEL DE L'UTILISATEUR
BEDIENUNGSANLEITUNG
MANUALE DELL'UTENTE

HONDA HHH25D/HHH25S

OWNER'S MANUAL
Original instructions

MANUEL DE L'UTILISATEUR
Notice originale

BEDIENUNGSANLEITUNG
Originalbetriebsanleitung

MANUALE DELL'UTENTE
Traduzione delle istruzioni originali

Thank you for purchasing a Honda hedge trimmer.

This manual covers the operation and maintenance of the Honda hedge trimmer HHH25D/HHH25S.

Honda Motor Co., Ltd. reserves the right to make changes at any time without notice and without incurring any obligation.

No part of this publication may be reproduced without written permission.

This manual should be considered a permanent part of the hedge trimmer and should remain with it if it is resold.

Pay special attention to statements preceded by the following words;

▲ WARNING Indicates a strong possibility of severe personal injury or death if instructions are not followed.

CAUTION: Indicates a possibility of personal injury or equipment damage if instructions are not followed.

NOTE: Gives helpful information.

If a problem should arise, or if you have any questions about the hedge trimmer, consult an authorized Honda dealer.

Honda hedge trimmers are designed to give safe and dependable service if operated according to instructions.

▲ WARNING Operating a hedge trimmer requires special effort to ensure the safety of the operator and the safety of others. Read and understand this Owner's Manual before operating the hedge trimmer; failure to do so could result in personal injury or equipment damage.

- Illustrations herein are mainly based on: HHH25D

Disposal

To protect the environment, do not dispose of this product, battery, engine oil, etc. carelessly by leaving them in the waste. Observe the local laws and regulations or consult your authorized Honda dealer for disposal.

CONTENTS

1. SAFETY INSTRUCTIONS	3
2. SAFETY LABEL LOCATIONS	15
CE mark and noise label locations	16
3. COMPONENT IDENTIFICATION	19
4. CONTROLS	22
5. PRE-OPERATION CHECKS	25
6. STARTING THE ENGINE	34
Carburetor Modification for High Altitude Operation	38
7. TRIMMING OPERATION	39
8. STOPPING THE ENGINE	43
9. MAINTENANCE	44
10. STORAGE	57
11. TROUBLESHOOTING	59
12. SPECIFICATIONS	60
MAJOR Honda DISTRIBUTOR ADDRESSES	Inside back cover
“EC Declaration of Conformity”	
CONTENT OUTLINE	Inside back cover

1. SAFETY INSTRUCTIONS

⚠ WARNING

To ensure safe operation

For your safety and safety of others, pay special attention to these precautions:



- Honda hedge trimmer is designed to give safe and dependable service if operated according to instructions. Read and understand this Owner's Manual before operating the hedge trimmer. Failure to do so could result in personal injury or equipment damage.



- Exhaust contains poisonous carbon monoxide, a colorless, odorless gas. Breathing carbon monoxide can cause loss of consciousness and may lead to death.
- If you run the hedge trimmer in an area that is confined, or even partially enclosed area, the air you breathe could contain a dangerous amount of exhaust gas.
- Never run your hedge trimmer inside a garage, house or near open windows or doors.



- Gasoline is extremely flammable and is explosive under certain conditions.
- Do not smoke or allow flames or sparks in the area where the hedge trimmer is refueled or where gasoline is stored.
- Do not overfill the fuel tank, and make sure the fuel tank cap is closed securely after refueling.
- Refuel in a well-ventilated area with the engine stopped.



- Keep all persons and pets away from the hedge trimmer operating area.
- To prevent accidental contacts with the operating cutter blade or thrown objects from the operating cutter blade, keep people and pets at least 4.5 m (15 ft.) away from the hedge trimmer when it is in use.



- Wear eye protection, helmet and other protective devices to protect your eyes and body from all objects (gravel, glass, wire, etc.) thrown by the operating cutter blade.

▲ WARNING**To ensure safe operation****Operator Responsibility**

- Any part from the machine is a potential source of danger if the machine is used in abnormal conditions or if the maintenance is not done correctly.
- Read the owner's manual carefully. Be familiar with the controls and their proper use of the hedge trimmer. Know how to stop the engine rapidly.
- Use the hedge trimmer for the purpose it is intended for, that is trimming for hedge.
Any other use could be dangerous or damage the hedge trimmer.
Do not use the hedge trimmer as a pruning hook.
- Never allow children or people unfamiliar with this owner's manual to use the hedge trimmer. Local regulations may restrict the age of the operator.
- If you lend or resell your hedge trimmer to a third person, instruct him or her with how to handle the product and alert him or her to read and understand the Owner's Manual carefully before operation.
- Never operate the hedge trimmer while:
 - people, especially children or pets are nearby.
 - user is fatigued or under medication, or has swallowed substances known to affect judgement or reactions.
- Keep people and pets at least 4.5 m (15 ft.) away from the operator during operation. Note that an assistant to the operator should work at least 4.5 m (15 ft.) away from the operator, too. We recommend to decide the engine stop signal and other signals between the operator and assistant, and use them for safety during operation.
- Keep in mind that the operator or user is responsible for accidents or hazards occurring to other people or their property.

▲ WARNING

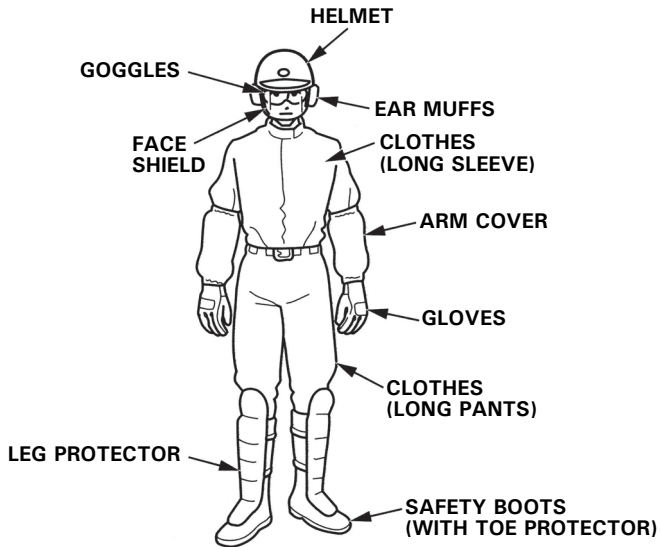
To ensure safe operation

Operator Responsibility

- While operating the hedge trimmer, always wear following protective clothing and protective devices.
 - Protective clothing
 - Wear adequate clothes with long sleeves and long pants. The clothes must fit your body and button up or zip up the clothes securely. Do not leave the sleeves and bottom of the shirt/jacket loose. Wear the arm covers, too.
 - Do not wear the clothes with the tapes, laces and/or ribbons, loose clothes, necktie, necklace, etc. during operation. They can be caught in the hedge trimmer or on the weed causing injury. Bind your hair if it is long, and do not let your hair below your shoulder.
 - Protective devices
 - * Goggles
 - Wear the goggles or other eye protection to protect your eyes from the debris that is thrown by the operating cutter blade.
 - * Helmet
 - Wear the helmet to protect your head from the overhead branches and the falling foreign material.
 - * Face shield
 - Wear face shield to protect your face from the debris thrown by the operating cutter blade.
 - * Ear muffs/ear plugs
 - Wear the ear muff, ear plugs or other hearing protection to protect your ears from the noise.
 - * Gloves
 - Wear the gloves to protect your hands.
 - * Safety boots
 - Wear the safety boots with the non-slip sole and toe protector to protect your feet from the flying debris.
 - Do not operate the equipment when barefoot or wearing open sandals.
 - Wear the leg protectors as well.

▲ WARNING**To ensure safe operation****Operator Responsibility***** Dust mask**

We recommend that you wear the dust mask if you suffer from the allergic rhinitis, e.g. pollinosis, etc. The dust mask is available at a pharmacy and it is helpful for reducing the amount of pollens you breathe.



- Before each use, visually inspect the hedge trimmer for any damage and looseness of fastening part.
- Before each use, look around and underneath the engine for signs of oil or gasoline leaks.
- Avoid operating the hedge trimmer at night or in a bad weather of poor visibility, because there is much possibility of accident.
- Walk, never run during operation.
- Avoid operating the hedge trimmer on a steep slope. The steep slope is very slippery, so you can slip down.

⚠ WARNING

To ensure safe operation

Operator Responsibility

- Do not operate the hedge trimmer with the labels, and other parts removed.
- Do not mount an incorrect part and do not tamper with the hedge trimmer as it can result in personal injury and/or equipment damage.
- Before cranking the engine, be sure to check the cutter blade cannot come into contact with the ground or any obstruction.
- Start the engine carefully according to instructions and with hands and feet well away from the cutter blade.
- Start the hedge trimmer on a level surface, free of high grass or obstacle.
- Do not press the hedge trimmer on a tree, etc. Match the motion and speed of the cutter blade and work.
- Never carry the hedge trimmer while it is operating. Before you carry the hedge trimmer, be sure to stop the engine and confirm the cutter blade stops. Cover the blade with the protective plastic cover while carrying the trimmer.
- When the engine is hot, keep away from the muffler to avoid getting burned.
When you carry the hedge trimmer, keep it away from your body, because the muffler is hot.

▲ WARNING

To ensure safe operation

Operator Responsibility

- Stop the engine and make sure that the engine switch is in the OFF position in the following cases:
 - Before any operation around the cutter blade.
 - Before checking, cleaning or working on the hedge trimmer.
 - After striking a foreign object. Inspect the hedge trimmer for damage and make repairs before restarting and operating the hedge trimmer again.
 - If hedge trimmer starts to vibrate abnormally. Check immediately the cause of the vibration and perform the necessary repair.
- Turn the engine switch to the OFF position and stop the engine in the following cases:
 - Whenever you leave the hedge trimmer unattended.
 - Before refueling.
 - When any person or pet is approaching.
 - Shut off the engine immediately when the hedge trimmer shows abnormal vibration suddenly. Sudden vibration can suggest the damaged sliding parts or loose fasteners. Examine the cause of the problem, and do not start the engine before repair is made.
 - Shut off the engine immediately when, after returning the throttle lever, the cutter blade still operates. Examine the cause of the problem, and do not start the engine before repair is made.
 - When a wire catches on the cutter blade. Remove the wire after stopping the engine. If you remove it without stopping the engine, the cutter blade starts to operate and you may get injured.
 - Before placing the hedge trimmer on the ground, make sure the cutter blade stops turning as well.

Note that the cutter blade is operating by inertia right after returning the throttle lever and while the engine is idling.

▲ WARNING**To ensure safe operation****Operator Responsibility**

- Be careful not to cut anything hard such as a wire or iron plate. It causes a failure or accident.
If the hedge trimmer should touch an obstacle, stop the engine immediately and check if there is a problem with the cutter blade. If the cutter blade has any damage such as cracks, bent, discoloration because of extreme heat, and excessive wear, do not use it.
If you use a cracked cutter blade, broken pieces of the blade may fly away.
- The hedge trimmer is faulty when the engine is idling by returning the throttle but the cutter blade keeps moving. Stop the engine immediately and idle speed adjustment must be made. Consult your authorized Honda dealer.
- Keep all nuts, bolts and screws tight to be sure the hedge trimmer is in safe working condition. Regular maintenance is an essential aid to user's safety and retaining a high level of performance.
- Do not use the hedge trimmer with worn or damaged parts. Parts must be replaced, or repaired. Replace worn or damaged parts with Honda genuine parts. Non equivalent quality parts may damage the machine and be prejudicial to your safety.
- Hold the hedge trimmer firmly with both your hands during operation to keep the trimmer under control at all times.
- Trim a hedge with the cutter blade facing outward.
Do not turn the cutter blade or bring it closer to your body.
- Do not use the hedge trimmer, reaching out. Do not use it on a ladder, a table or other unstable places.

▲ WARNING

To ensure safe operation

Operator Responsibility

- Injury caused by vibration and cold:
You may feel the prickling or burning pain in your fingers, and the fingers may lose color and feeling depending on your constitution. It is believed that these symptoms are brought by vibration and/or exposure to cold. The specific trigger point of these symptoms are not identified yet, but observe the following instructions.
 - * Limit the amount of time you spend operating the hedge trimmer in a day.
A day's work should consist of the work with the hedge trimmer and the other work without the hand-held equipment so you can limit the amount of time when your hands are exposed to the machine vibration.
 - * Keep your body warm, especially your hands, wrists and arms.
 - * Take your breaks at shorter intervals and arm exercises well to maintain good blood circulation. Do not smoke while working.
 - * When you feel discomfort, redness and swelling of the fingers followed by whitening and loss of feeling, consult your doctor promptly.
- Injury caused by repeated operation:
Performing the repeated operation for a prolonged time may cause injury. Observe the following instructions to reduce the causes of the injury.
 - * Avoid the repeated operation by using your wrist(s) in bent, stretched or twisted position.
 - * Take your breaks regularly to minimize the effect of the repeated operation. Take your time when performing the repeated operation. Do not rush to operate the hedge trimmer.
 - * When your fingers, hands, wrists and/or arms are throbbing or numbed, consult your doctor.

⚠ WARNING

To ensure safe operation

Child Safety

- Keep children indoors and supervised at all times when any outdoor power hedge trimmer is being used nearby. Young children move quickly and are attracted especially to the hedge trimmer and trimming activity.
- Never assume children will remain where you last saw them. Be alert and turn the hedge trimmer off if children enter the area.
- Children should never be allowed to operate the hedge trimmer, even under adult supervision.

Thrown Object Hazard

Objects hit by the operating cutter blade can be thrown from the hedge trimmer with great force, and may cause serious injury.

- Thoroughly inspect the area where the hedge trimmer is to be used and remove all objects (stones, branches, wires, bones, etc ...) which may be thrown by the operating cutter blade.

▲ WARNING

To ensure safe operation

Fire and Burn Hazard

Gasoline is extremely flammable, and gasoline vapor can explode. Use extreme care when handling gasoline. Keep gasoline out of reach of children.

- Store fuel in containers specifically designed for this purpose.
- Refuel outdoors only, and do not smoke while refueling or handling fuel.
- Add fuel before starting the engine. Never remove the cap of the fuel tank or add gasoline while the engine is running or when the engine is hot.
- If gasoline is spilled, do not attempt to start the engine but move the hedge trimmer away from the area of spillage and avoid creating any source of ignition until gasoline vapours have dissipated.
- Tighten all fuel tanks and container caps securely.
- When you start the engine after refueling, be sure to start the engine at least 3 m (10 ft.) away from the refueling spot.
- Never store the hedge trimmer with gasoline in the tank inside a building where fumes may reach an open flame, spark or high temperature source.
- Allow the engine to cool before storing in any enclosure.
- To reduce the fire hazard, keep the hedge trimmer, especially the engine, muffler, the gasoline storage area as well, free of grass, leaves, or excessive grease.
Do not leave containers of vegetable matters in or near a building.
- If the fuel tank has to be drained, this should be done outdoors, with a cold engine.

⚠ WARNING

To ensure safe operation

Carbon Monoxide Poisoning Hazard

Exhaust contains poisonous carbon monoxide, a colorless and odorless gas. Breathing exhaust can cause loss of consciousness and may lead to death.

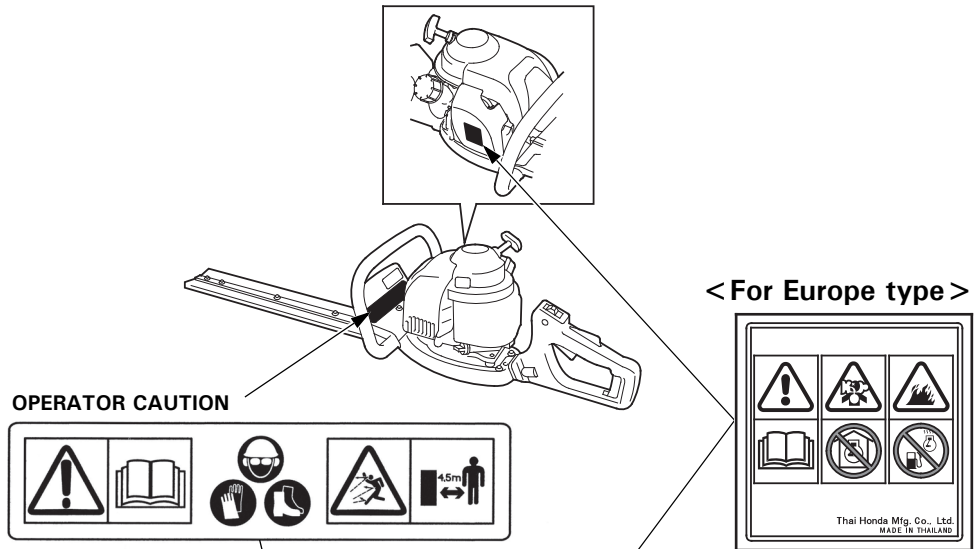
- If you run the engine in an area that is confined or even partially enclosed, the air you breathe could contain a dangerous amount of exhaust gas.
To keep exhaust gas from building up, provide adequate ventilation.
- Replace faulty muffler.
- Do not operate the engine in a confined space where dangerous carbon monoxide fumes can collect.

2. SAFETY LABEL LOCATIONS

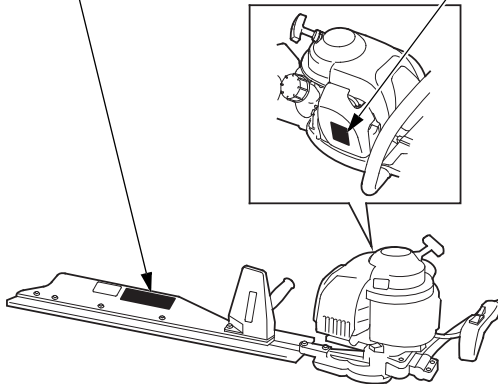
Your hedge trimmer must be used with care. Therefore, decals have been placed on the machine, to remind you pictorially of main precautions to take during use. Their meanings are explained on page 3.

These decals are considered as a part of the hedge trimmer. Should one become detached or unreadable, contact your Honda dealer for its replacement.

HHH25D:



HHH25S:

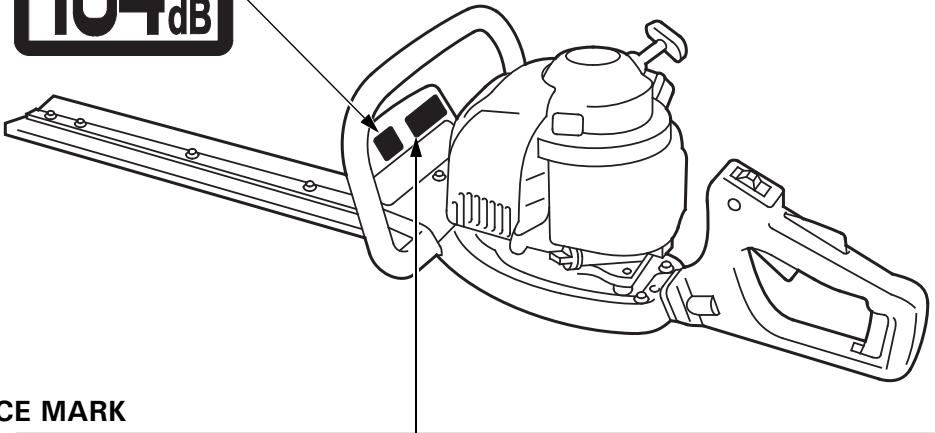


CE mark and noise label locations

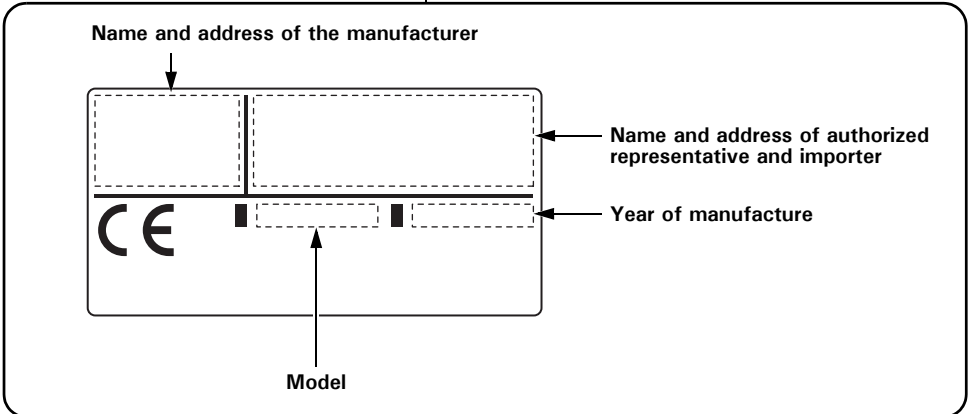
HHH25D:

<For Europe type >

NOISE LABEL



CE MARK

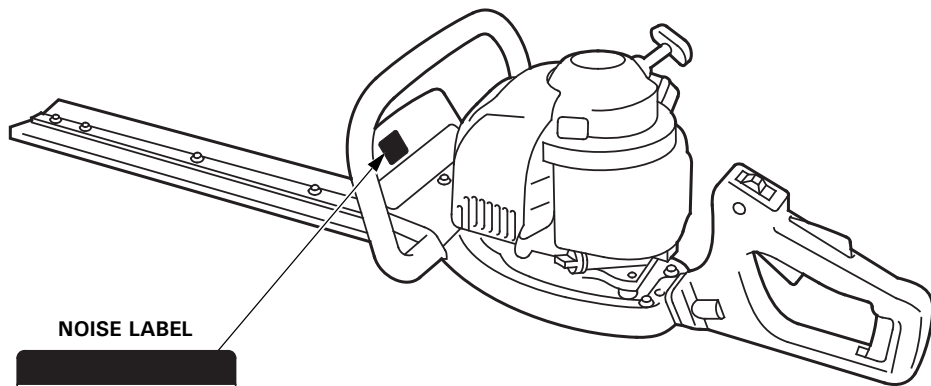


Name and address of manufacturer, authorized representative and importer are written in the "EC Declaration of Conformity" CONTENT OUTLINE in this Owner's Manual.

Noise label location

HHH25D:

<For Australia type >



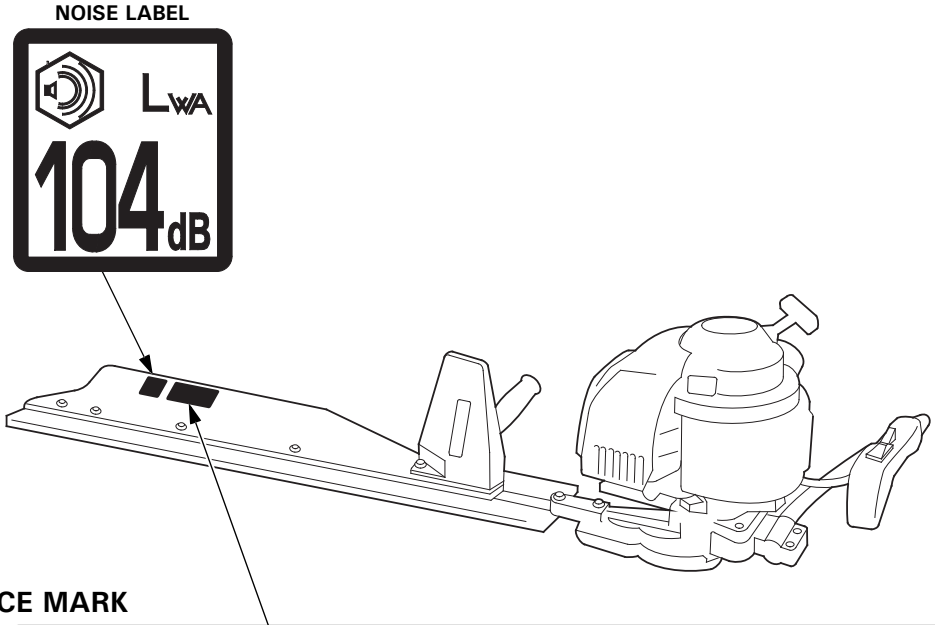
NOISE LABEL



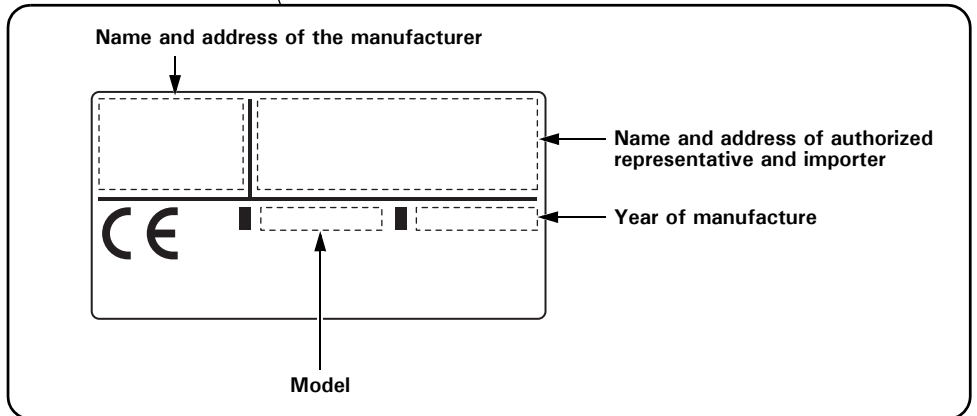
CE mark and noise label locations

HHH25S:

<For Europe type >



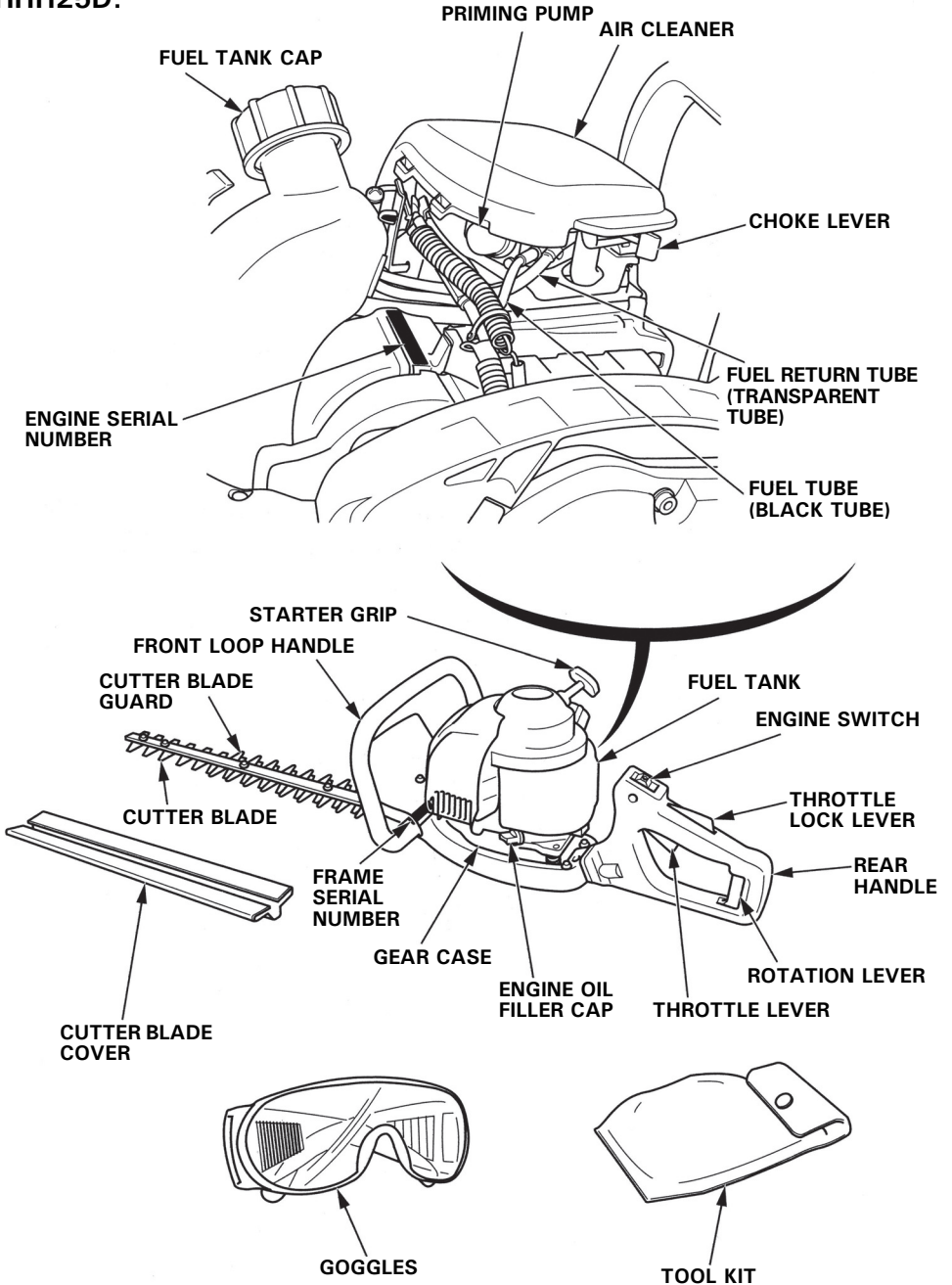
CE MARK



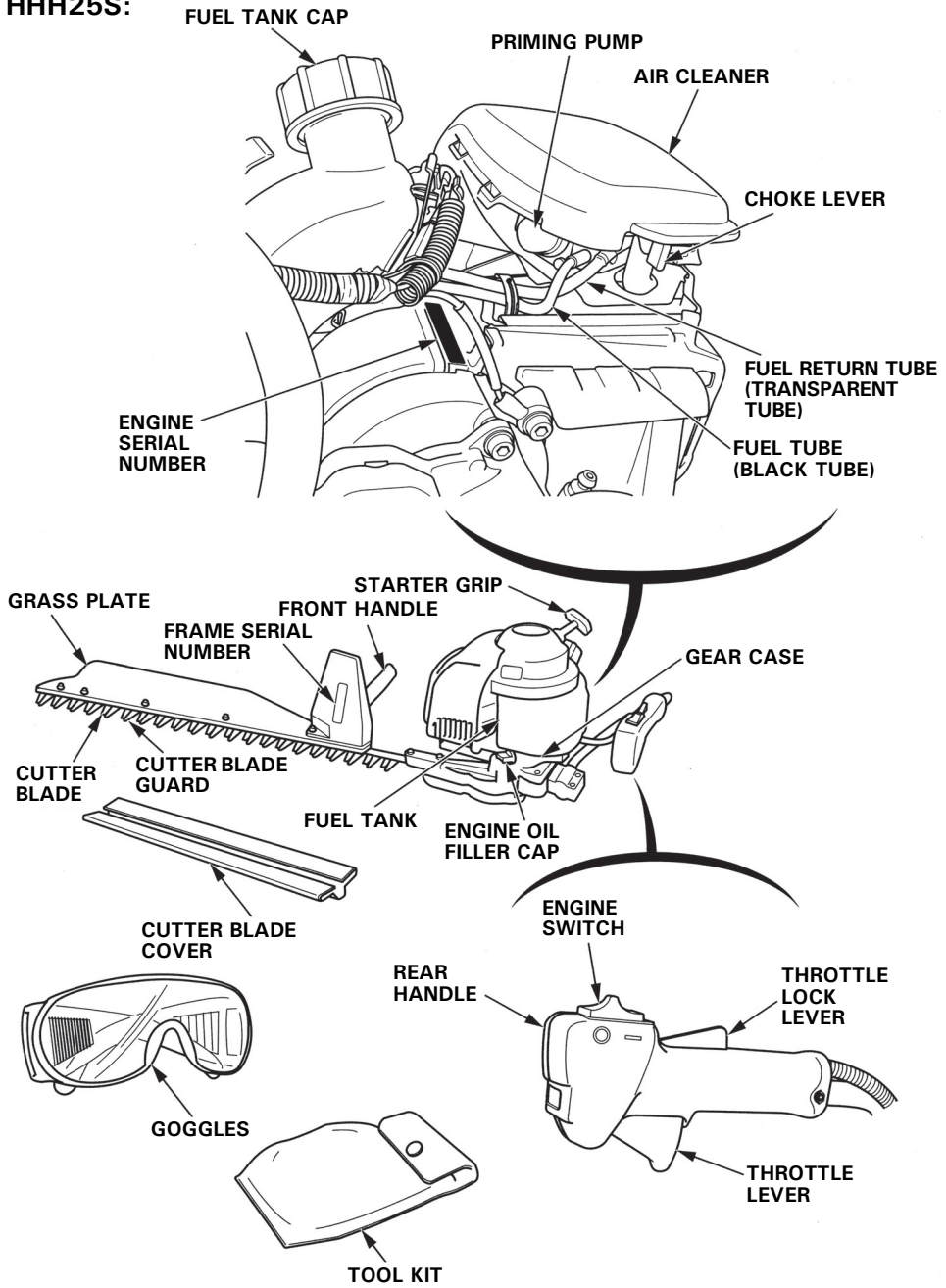
Name and address of manufacturer, authorized representative and importer are written in the "EC Declaration of Conformity" CONTENT OUTLINE in this Owner's Manual.

3. COMPONENT IDENTIFICATION

HHH25D:



HHH25S:



Record the frame serial number and engine serial number (see pages 19 or 20) in the space below. You will need these serial numbers when ordering parts, and when making technical or warranty inquiries.

Engine serial number: _____

Frame serial number: _____

4. CONTROLS

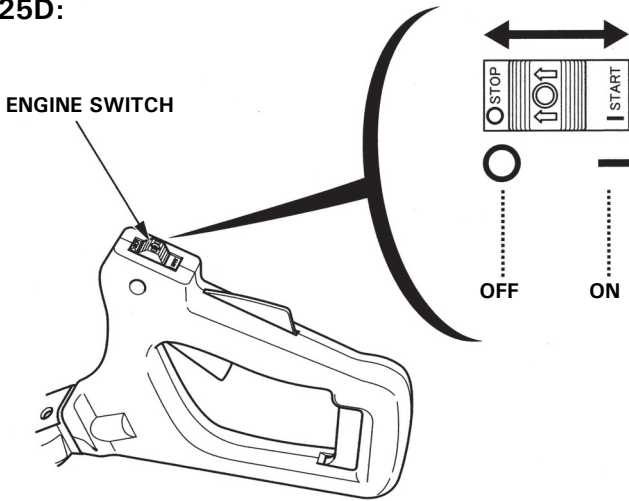
1. Engine switch

The engine switch enables and disables the ignition system.

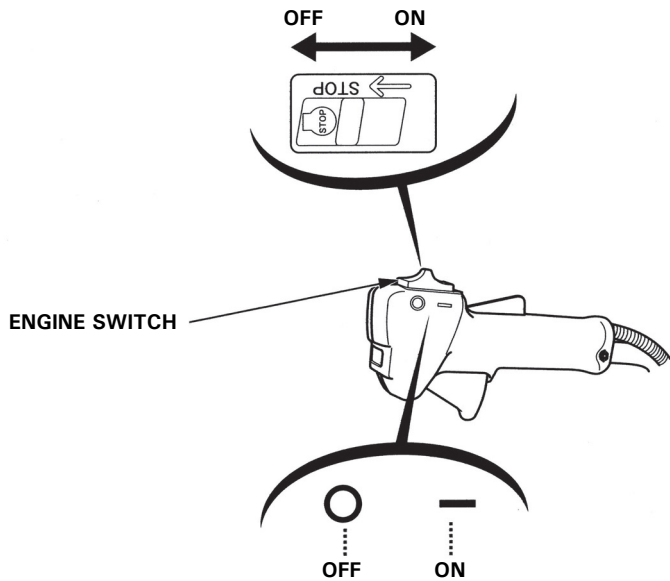
The engine switch must be in the ON position for the engine to run.

Turning the engine switch to the OFF position stops the engine.

HHH25D:



HHH25S:

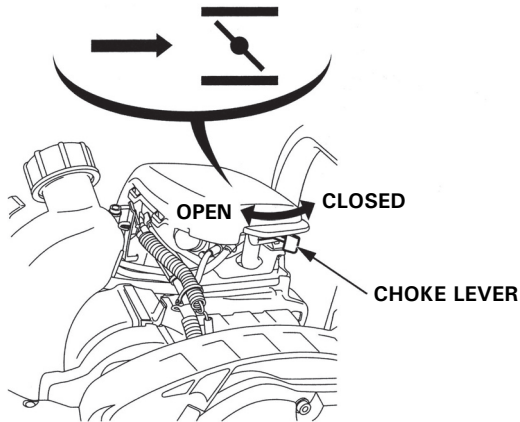


2. Choke lever

The choke lever opens and closes the choke valve in the carburetor.

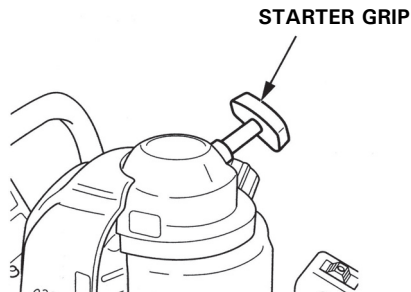
The CLOSED position enriches the fuel mixture for starting a cold engine.

The OPEN position provides the correct fuel mixture for operation after starting, and for restarting a warm engine.



3. Recoil starter

Pulling the starter grip operates the recoil starter to crank the engine for starting.



4. Throttle lever

The throttle lever controls engine speed.

Pulling and releasing the throttle lever shown below makes the engine run faster or slower.

NOTE:

The throttle lock lever interlock must be depressed before the throttle lever can be activated.

By pulling the throttle lever gradually, the engine speed increases and the cutter blade starts to move.

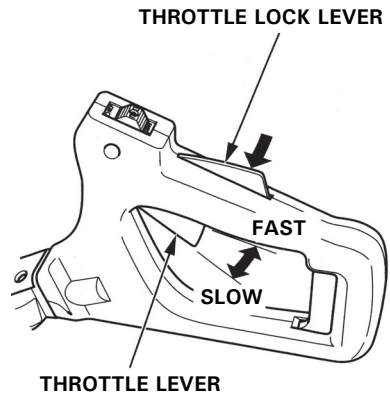
Pull the throttle lever more to accelerate the engine speed and the operating speed.

By releasing the throttle lever, the engine speed decreases and the cutter blade keeps operating for a while by inertia, then it stops.

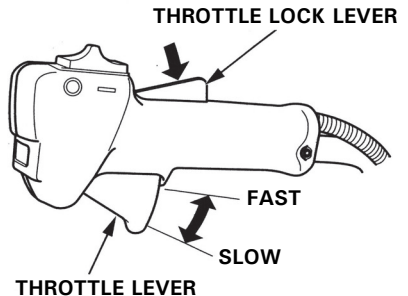
Throttle lock lever:

The throttle lock lever makes the throttle lever operable. The throttle lever cannot be pulled unless the throttle lock lever has been pushed beforehand.

HHH25D:



HHH25S:



5. PRE-OPERATION CHECKS

For safe and efficient trimming, always make a pre-operation inspection before operating:

▲ WARNING

Before performing a pre-operation inspection, place the hedge trimmer on a level surface, stop the engine and make sure that the engine switch is in the OFF position to be certain the engine will not start accidentally.

1. Check the engine oil level

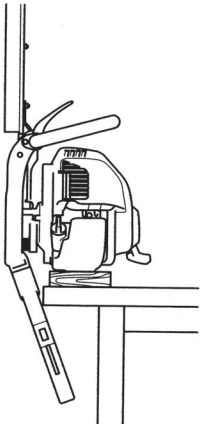
CAUTION:

Running the engine with low oil level will cause serious engine damage.

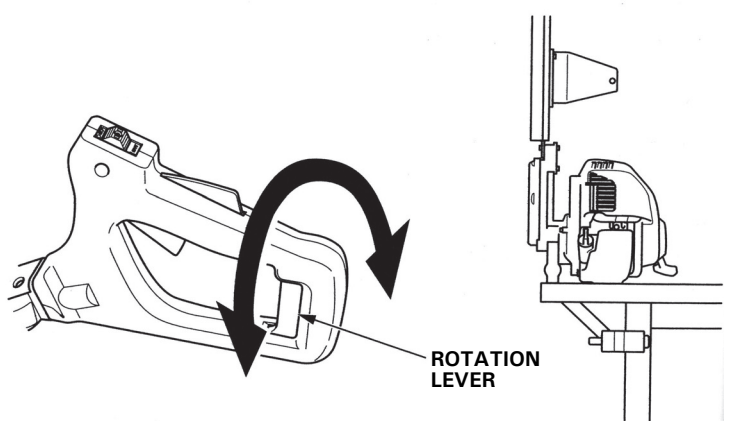
1. Install the cutter blade cover, place the hedge trimmer vertically on a horizontal table, and hold the cutter blade.

HHH25D: Grip the rotation lever and rotate the rear handle 90° clockwise or counterclockwise. Place the hedge trimmer on a level surface and remove the oil filler cap.

HHH25D:



HHH25S:



2. Check the oil level:

It should reach to the edge of the oil filler neck, and check the engine oil for contamination and deterioration.

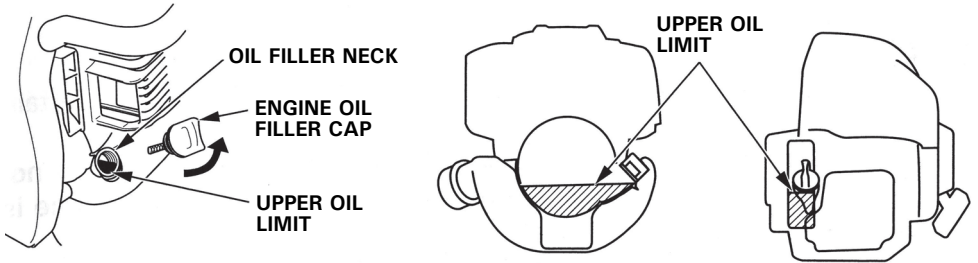
3. If the oil level is low, fill to the edge of the oil filler neck with the recommended oil (see page 26).

If the oil is contaminated or deteriorated, replace it (see page 47).

4. Install the oil filler cap.

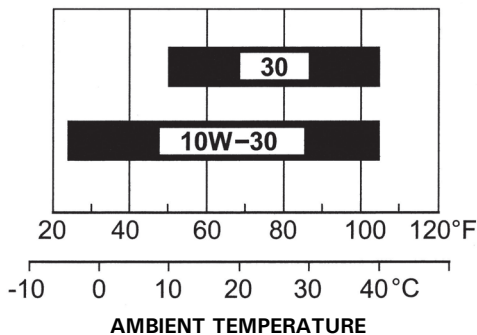
Every 10 hours, check the engine oil level and replenish oil up to the top of the oil filler neck if the engine is operated for more than 10 hours continuously.

ENGINE OIL CAPACITY: 0.08 L (0.08 US qt, 0.07 Imp qt)



Use 4-stroke motor oil that meets or exceeds the requirements for API service classification SE or later (or equivalent). Always check the API service label on the oil container to be sure it includes the letters SE or later (or equivalent).

SAE 10W-30 is recommended for general use. Other viscosities shown in the chart may be used when the average temperature in your area is within the indicated range.



CAUTION:
Using nondetergent oil or 2-stroke engine oil could shorten the engine's service life.

2. Check the fuel level

Use automotive unleaded gasoline with a Research Octane Number of 91 or higher (a Pump Octane Number of 86 or higher).

Never use stale or contaminated gasoline or an oil/gasoline mixture.

Avoid getting dirt or water in the fuel tank.

⚠ WARNING

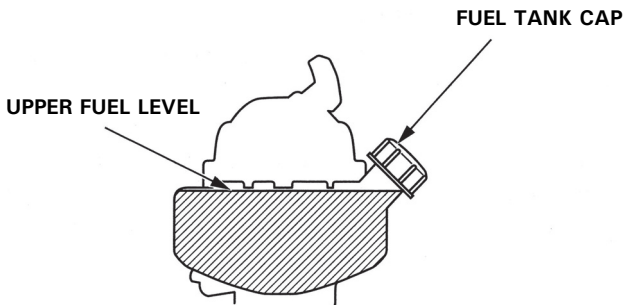
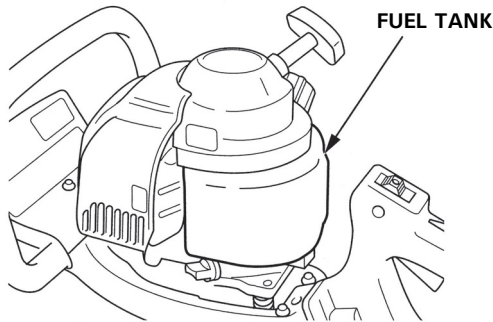
- **Gasoline is extremely flammable and is explosive under certain conditions.**
- **Refuel in a well-ventilated area with the engine stopped. Do not smoke or allow flames or sparks in the area where the engine is refueled or where gasoline is stored.**
- **Do not overfill the fuel tank (there should be no fuel in the filler neck). After refueling, make sure the tank cap is closed properly and securely.**
- **Be careful not to spill fuel when refueling. Spilled fuel or fuel vapor may ignite. If any fuel is spilled, make sure the area is dry before starting the engine.**
- **Avoid repeated or prolonged contact with skin or breathing of vapor. KEEP OUT OF REACH OF CHILDREN.**

CAUTION:

Gasoline substitutes are not recommended; they may be harmful to fuel system components.

Refuel in a well-ventilated area with the engine stopped. If the engine has been running, allow it to cool first. Never refuel the engine inside a building where gasoline fumes may reach flames or sparks.

1. Place the hedge trimmer horizontally, and check the outside of the tank if the fuel reaches the upper fuel level.
2. If the fuel level is low, refuel the fuel tank until the level as specified. Remove the fuel tank cap gradually to release a pressurized air in the fuel tank. Fuel in the fuel tank may spout out, if the fuel tank cap is removed quickly.



NOTE:

Gasoline spoils very quickly depending on factors such as light exposure, temperature and time.

In worst cases, gasoline can be contaminated within 30 days. Using contaminated gasoline can seriously damage the engine (carburetor clogged, valve stuck).

Such damage due to spoiled fuel is disallowed from coverage by the warranty.

To avoid this please strictly follow these recommendations:

- Only use specified gasoline (see page 27).
- Use fresh and clean gasoline.
- To slow deterioration, keep gasoline in a certified fuel container.
- If long storage (more than 30 days) is foreseen, drain fuel tank and carburetor (see page 57).

Gasoline containing alcohol

If you decide to use a gasoline containing alcohol (gasohol), be sure its octane rating is at least as high as that recommended by Honda.

There are two types of “gasohol”: one containing ethanol, and the other containing methanol.

Do not use gasohol that contains more than 10% ethanol.

Do not use gasoline containing more than 5% methanol (methyl or wood alcohol) and that does not also contain co-solvents and corrosion inhibitors for methanol.

NOTE:

- Fuel system damage or engine performance problems resulting from the use of gasoline that contains more alcohol than recommended is not covered under the warranty.
- Before buying gasoline from an unfamiliar station, first determine if the gasoline contains alcohol, if it does, find out the type and percentage of alcohol used.

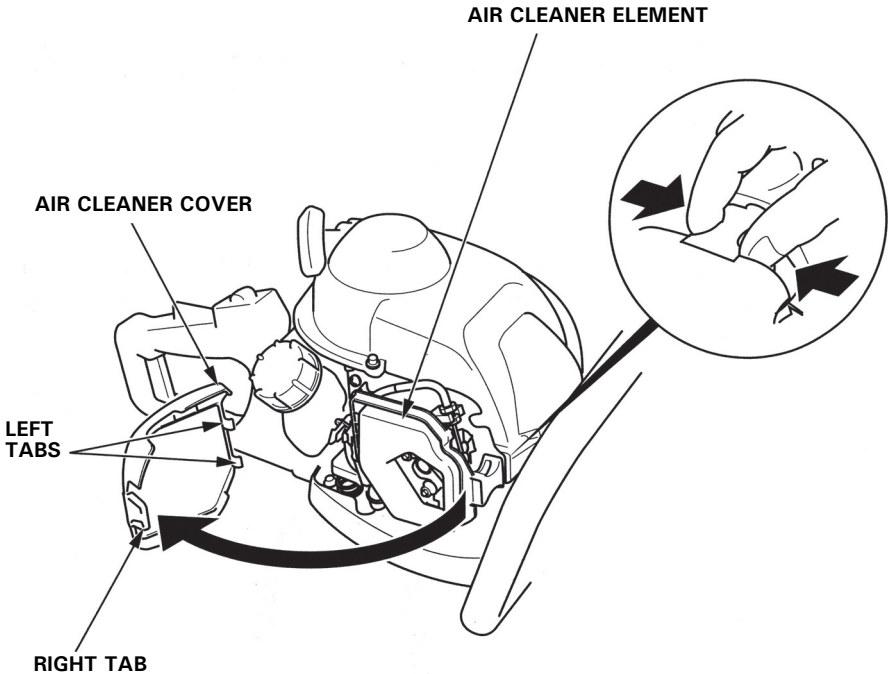
If you notice any undesirable operating symptoms while using a particular gasoline. Switch to a gasoline that you know contains less than the recommended amount of alcohol.

3. Check the air cleaner elements

CAUTION:

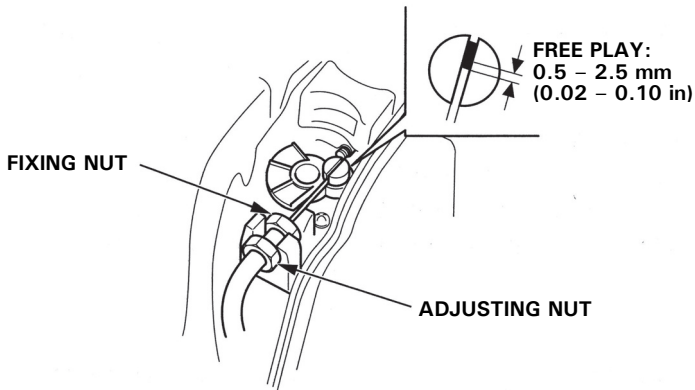
Never run the engine without the air cleaner; rapid engine wear will result.

1. Move the choke lever to the CLOSED position (see page 23).
2. Remove the air cleaner cover by unhooking the right tab on the right of the air cleaner cover and its two left tabs.
3. Check the air cleaner element for dirt or obstruction.
Clean the air cleaner element, if it is dirty (see page 49).
4. Reinstall the air cleaner element.
5. Reinstall the air cleaner cover by inserting the left tabs, then insert the right tab.



4. Check the throttle cable free play

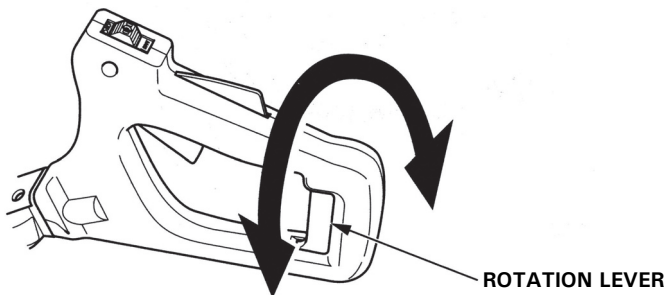
- Check the throttle cable free play at the tip of the cable by pulling and releasing the throttle lever a few times. It should be 0.5 – 2.5 mm (0.02 – 0.10 in.) at the tip of the throttle cable.



- Check the throttle lever operates smoothly and always spring back to the idle position.

5. Check the rear handle (HHH25D)

- Check the rear handle turns smoothly with the rotation lever squeezed.
- Check the rotation lever locks at the center, left, and right positions with the lever released.



6. Cutter blade inspection

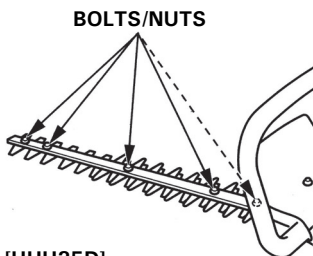
▲ WARNING

For safety, check the blade for wear and damage and check the tightness of the bolts and nuts before starting the engine. Operating the hedge trimmer with a worn, cracked, or damaged blade can cause a personal injury or equipment damage. A worn, cracked or damaged blade can break and pieces of the damaged blade can hit the operator or bystanders causing death or serious injury.

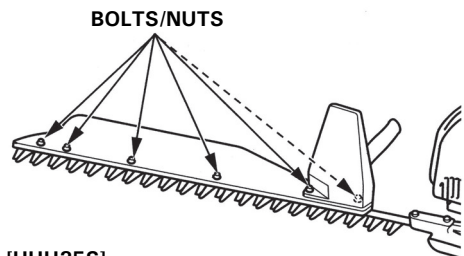
CAUTION:

Wear heavy gloves to protect your hands, when working around the blade.

1. Stop the engine and make sure that the engine switch is in the OFF position.
2. Remove the cutter blade cover with heavy gloves on your hands.
3. Check the bolts and the nuts for looseness. Tighten up the bolts and nuts if they are loose. If you cannot do it properly, consult an authorized Honda dealer.



[HHH25D]



[HHH25S]

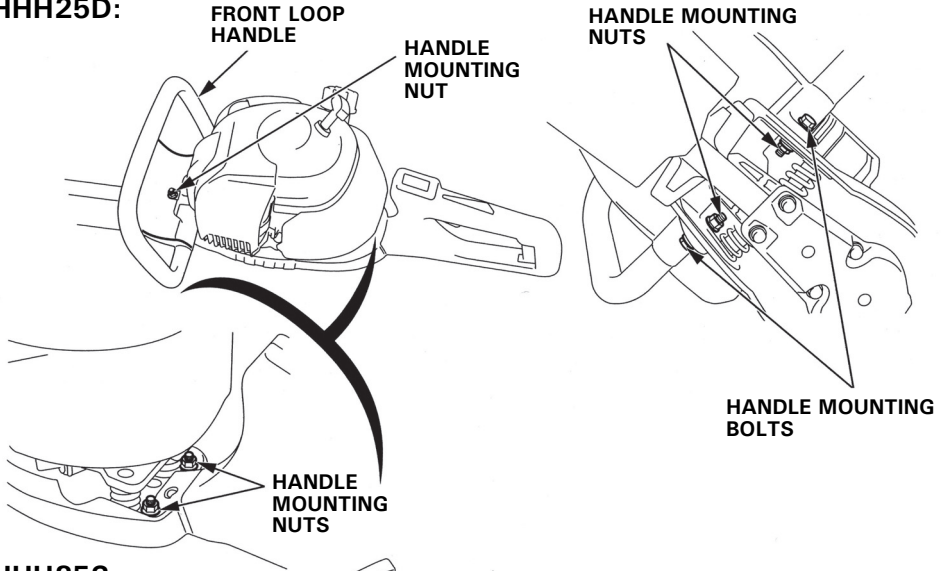
4. Check the blade and guard for wear, bend, crack, discoloration from heat, and other damage. If there is a problem with them, consult an authorized Honda dealer.



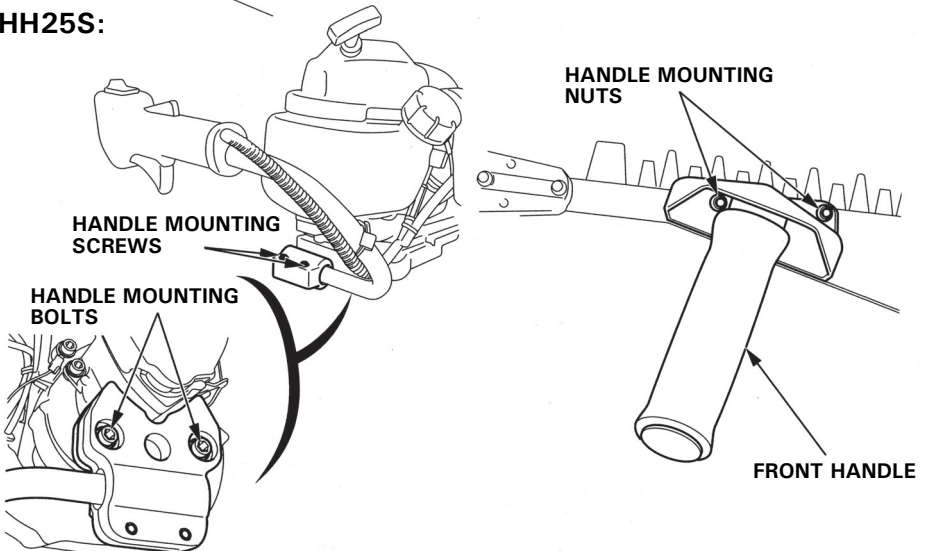
7. Check all bolts and nuts

1. Check each bolt and nut for looseness. Tighten them securely if necessary.
2. Check the handle for loose mounting bolts or screws, and tighten them securely if necessary.

HHH25D:



HHH25S:



6. STARTING THE ENGINE

▲ WARNING

- Exhaust gas contains poisonous carbon monoxide. Never run the engine in an enclosed area. Be sure to provide adequate ventilation.
- Start the engine in a place away from the people, pets, and surrounding buildings. Be sure there are no obstacles in the working area.

CAUTION:

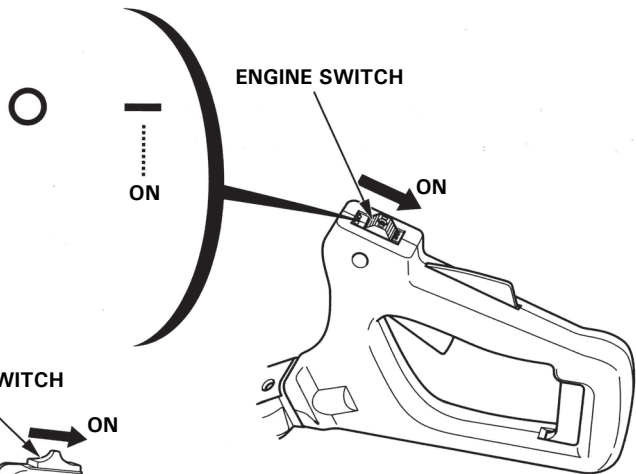
Do not start the engine with the hedge trimmer off the ground. The trimmer can make unexpected movement causing injury in your legs, etc.

NOTE:

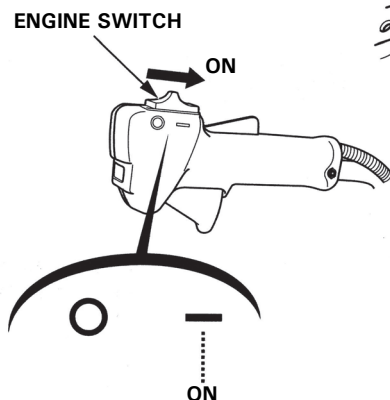
Place the hedge trimmer in an area free from the obstacles, and be sure the cutter blade is not in contact with the ground and other materials.

1. Remove the cutter blade cover from the hedge trimmer.
2. Turn the engine switch to the ON position.

HHH25D:

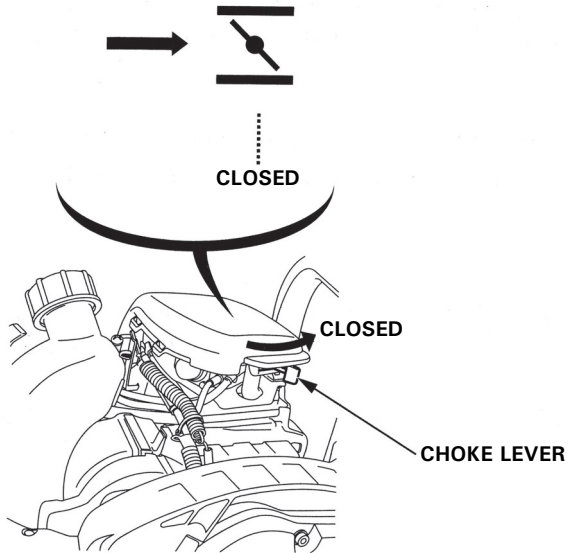


HHH25S:

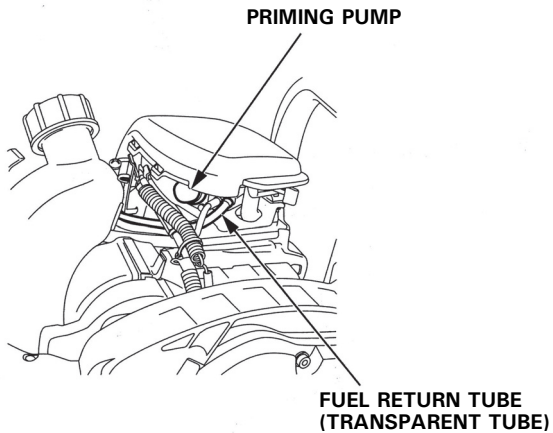


3. To start a cold engine, move the choke lever to the CLOSED position.

To restart warm engine, leave the choke lever in the OPEN position.



4. Press the priming pump several times until a flow in the fuel return tube (transparent tube) is visually noticed.

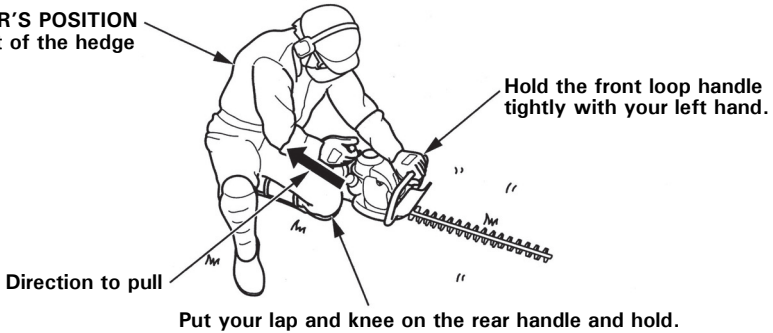


5. Pull the starter grip lightly until you feel resistance while holding the handle, then pull briskly in the direction of the allow as shown below. Return the starter grip gently.

Be sure that the people and pets are away from the hedge trimmer especially behind you, before pulling the starter grip.

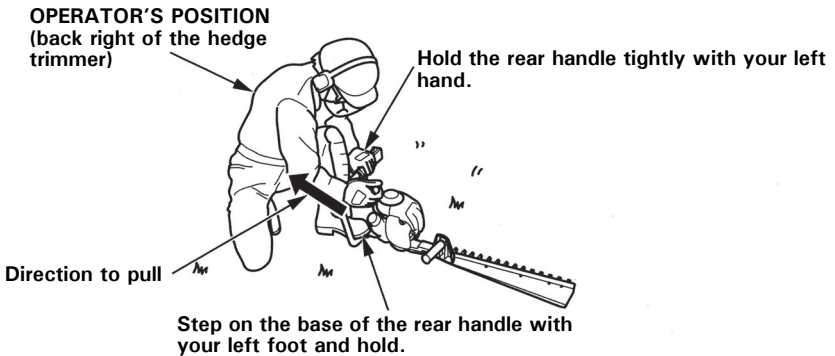
HHH25D:

OPERATOR'S POSITION
(back right of the hedge trimmer)



HHH25S:

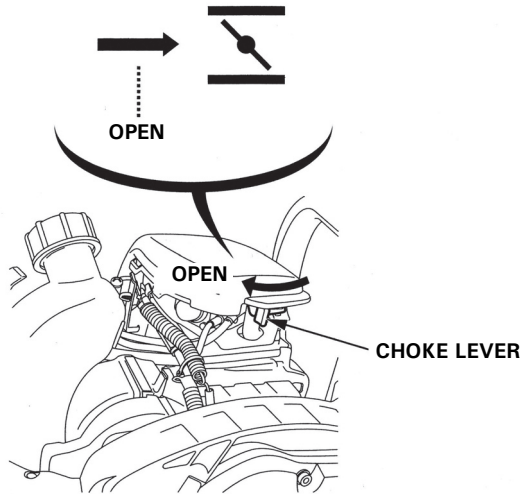
OPERATOR'S POSITION
(back right of the hedge trimmer)



CAUTION:

- Pull the starter grip strongly. When the engine speed increases at the starting, the ignition spark reaches the engine. If the engine speed is slow, the engine may not start.
- Do not release the starter grip at the point where you pull it up fully, in order to prevent the grip from hitting the neighboring parts.
- Do not pull the recoil to prevent the engine from breaking down while the engine is operating.
- Do not operate the throttle lever when you pull the recoil. The cutter blade operates suddenly. It is dangerous.

6. If the choke lever has been moved to the CLOSED position to start the engine, gradually move it to the OPEN position as the engine warms up.



Hot Restart

If the engine is operated at higher ambient temperatures then turned off and allowed to sit for a short time, it may not restart on the first pull.

If necessary, use for following procedure:

IMPORTANT SAFETY PRECAUTION

Turn the engine switch to the OFF position before performing the following procedure. This will prevent the engine from starting and running at maximum speed when the throttle is in the full throttle position. If the engine starts, with the throttle in the full throttle position, the cutter blade can move at maximum speed. This may result in personal injury.

1. Turn the engine switch to the OFF position.
2. Move the choke lever to the OPEN position.
3. Hold the throttle lever in the full throttle position (FAST).
4. Pull the starter grip 3 to 5 times.
5. Follow the STARTING THE ENGINE procedure on page 34 and start the engine with the choke lever in the OPEN position.

Carburetor Modification for High Altitude Operation

At high altitude, the standard carburetor air-fuel mixture will be too rich. Performance will decrease, and fuel consumption will increase. A very rich mixture will also foul the spark plug and cause hard starting. Operation at an altitude that differs from that at which this engine was certified, for extended periods of time, may increase emissions.

High altitude performance can be improved by specific modifications to the carburetor. If you always operate your hedge trimmer at altitudes above 1,500 m (5,000 ft.), have your authorized Honda servicing dealer perform this carburetor modification. This engine, when operated at high altitude with the carburetor modifications for high altitude use, will meet each emission standard throughout its useful life.

Even with carburetor modification, engine horsepower will decrease about 3.5% for each 300 m (1,000 ft.) increase in altitude. The effect of altitude on horsepower will be greater than this if no carburetor modification is made.

CAUTION:

When the carburetor has been modified for high altitude operation, the air-fuel mixture will be too lean for low altitude use. Operation at altitudes below 1,500 m (5,000 ft.) with a modified carburetor may cause the engine to overheat and result in serious engine damage. For use at low altitudes, have your servicing dealer return the carburetor to original factory specifications.

7. TRIMMING OPERATION

Read and understand the safety instructions on pages 5 to 14 before operating the hedge trimmer.

If you notice any abnormal sound, smell, vibration, or other unusual signs, stop the engine immediately and consult your authorized Honda dealer.

Grip the handles with both your hands.

HHH25D: Use either of your hands for the front loop and use the other for the rear handle (throttle grip).

HHH25S: Use your right hand for the front handle and use your left hand for the rear handle (throttle grip).

CAUTION:

Do not use the hedge trimmer with one hand.

⚠ WARNING

Do not operate the hedge trimmer if the operating cutter blade could reach your feet. Your feet can get injured if the operating cutter blade touches your feet.

NOTE:

This hedge trimmer is designed to trim the hedge, which is designed to cut off the branches of up to 8 mm (0.31 in) in diameter. Do not use the hedge trimmer to cut off the thicker branches beyond the above limit and do not use it to cut a hard material except a wood, either. It can damage the cutter blade and driving parts of the gear case and possibly shorten the service life of them.

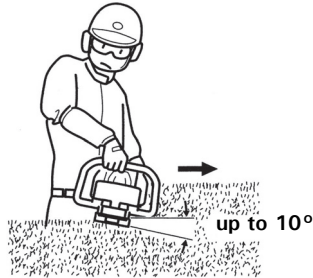
Basic operation:

- Operate the hedge trimmer with care and continual movement to prevent the exhaust blowing onto one place of the hedge.
- When you grip the throttle lever with the engine running, the engine speed increases and the cutter blade starts to operate. Adjust the engine speed according to the size of a hedge.

CAUTION:

Increase the engine speed when you start to operate the hedge trimmer. Operating the trimmer at a low engine speed may cause engine failures.

- When you trim the upper part of a hedge, move the cutter blade to the right and left repeatedly.
- To form the fine shape of a hedge, tilt the trimmer down slightly (up to 10°).



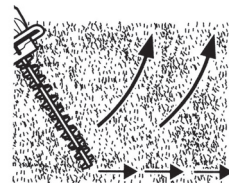
- Operate the trimmer with its cutter blade facing outside.

CAUTION:

Do not face the blade toward you during operation, and keep yourself away from the blade.

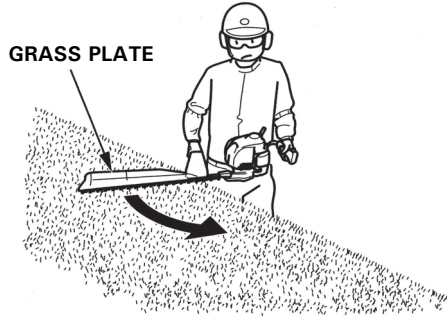


- To trim the side of a hedge, move the cutter blade from the bottom up.



HHH25S:

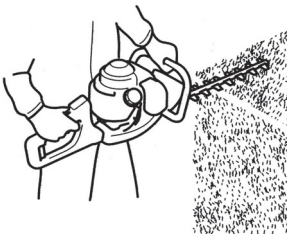
- During operation, leave the trimmed branches, leaves, etc. on the grass plate.



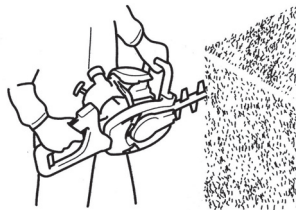
HHH25D:

- The rear handle can be turned to three positions (the CENTER position and 90° clockwise, and counterclockwise).
- Upper part: Turn the rear handle to the CENTER position when you trim the upper part of a hedge.
- Side part: When you use the cutter blade on the left side of your body, turn the rear handle 90° counterclockwise. When you use the right side of your body, turn the rear handle 90° clockwise (see page 42). When you trim the side of a hedge, face the cutter blade to the hedge and face the engine to your body.

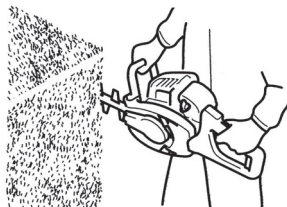
CENTER position



Turn the rear handle 90° clockwise.

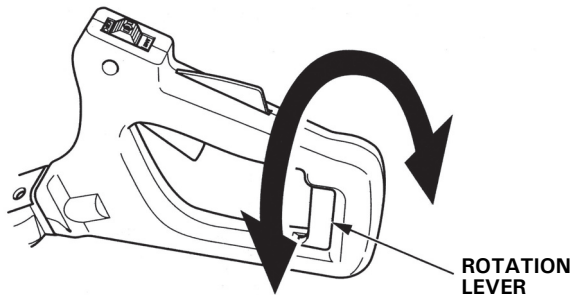


Turn the rear handle 90° counterclockwise.



Turn the rear handle (HHH25D)

1. Be sure to stop the engine when you turn the rear handle.
 2. To turn the rear handle, release the throttle lever and the throttle lock lever, grip the rotation lever, and turn the handle clockwise or counterclockwise.
 3. Before operation, turn the rear handle until it clicks. Make sure that the rotation lever moves back.
- Do not operate the throttle lever, throttle lock lever and rotation lever at the same time. If you do, it may cause a failure.



- Do not overreach.
- Keep the cutter blade below your knee height.
- Keep all part of your body away from the operating cutter blade and hot surfaces.

8. STOPPING THE ENGINE

1. Release the throttle lever and throttle lock lever.
2. Turn the engine switch to the OFF position.
Visually check that the cutter blade has stopped.
3. Before placing the hedge trimmer on the ground, make sure that the engine and the cutter blade have stopped.

CAUTION:

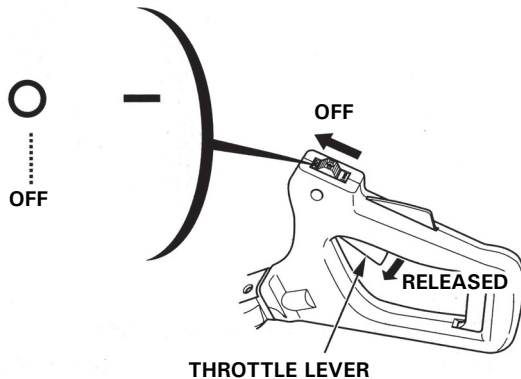
Even after the operating force stops, the cutter blade runs for a few seconds by inertia.

4. After operation, install the cutter blade cover into the cutter blade.

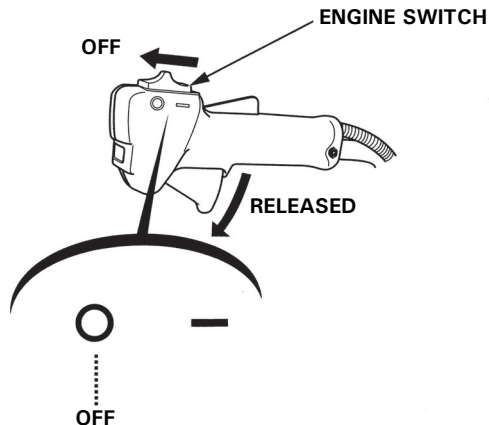
CAUTION:

Note that the cutting attachment keeps turning for a while by inertia after the engine is stopped.

HHH25D:



HHH25S:



9. MAINTENANCE

⚠ WARNING

- **Before performing any maintenance, place the hedge trimmer on a level surface, stop the engine and make sure that the engine switch is in the OFF position to be certain the engine will not start accidentally.**
- **The hedge trimmer should be serviced by an authorized Honda dealer unless the owner has proper tools and service data and feels he is mechanically qualified.**

CAUTION:

Use only genuine Honda parts or their equivalent for maintenance or repair. Replacement parts which are not of equivalent quality may damage the trimmer.

Periodic inspection and adjustment of the Honda HHH25D/HHH25S are essential if high level performance is to be maintained. Regular maintenance will also help to extend service life. The required service intervals and the kind of maintenance to be performed are described in chart on the following page 45.

For longer service and efficiency, keep the cutter blade free of branches, leaves, etc. after every use.

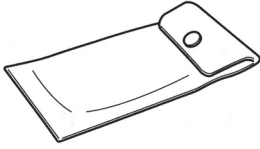
Maintenance schedule

REGULAR SERVICE PERIOD (3) Perform at every indicated month or operating hour interval, whichever comes first.		Each use	First month or 10 hrs.	Every 3 months or 25 hrs.	Every 6 months or 50 hrs.	Every year or 100 hrs.	Every 2 years or 300 hrs.	Refer to page
ITEM								
Engine oil	Check level	o						25
	Change		o		o			47
Air cleaner	Check	o						30
	Clean			o(1)				49
Spark plug	Check-adjust					o		50
	Replace						o	50
Throttle cable	Check	o						31
Throttle lever	Check	o						31
Rear handle (HHH25D)	Check	o						31
Cutter blade	Check	o						32
Cutter guard	Check	o						32
Engine cooling fins	Check				o			54
Nuts, bolts, fasteners	Check (Retighten if necessary)	o						33
Spark arrester (Equipped type)						o		52
Fuel tank	Clean					o		56
Fuel filter	Check					o		55
Clutch shoe and drum	Check				o(2)			—
Gear case	Grease	Every year or 20 hrs. (2)						—
Idle speed	Check-adjust		o(2)		o(2)			—
Valve Clearance	Check-adjust					o(2)		—
Combustion chamber	Clean	After every 300 hrs. (2)						—
Fuel tubes	Check	Every 2 years (Replace if necessary) (2)						—
Oil tube	Check	Every 2 years (Replace if necessary) (2)						—

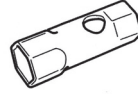
- (1) Service more frequently when used in dusty areas.
- (2) These items should be serviced by your servicing dealer.
- (3) Log hours of operation to determine proper maintenance intervals.

Tool kit

The tools supplied are necessary for performing some periodic maintenance, simple adjustments and repairs.



TOOL BAG



SPARK PLUG WRENCH



WRENCH



PLUG WRENCH HANDLE



HEXAGON WRENCH

1. Engine oil change

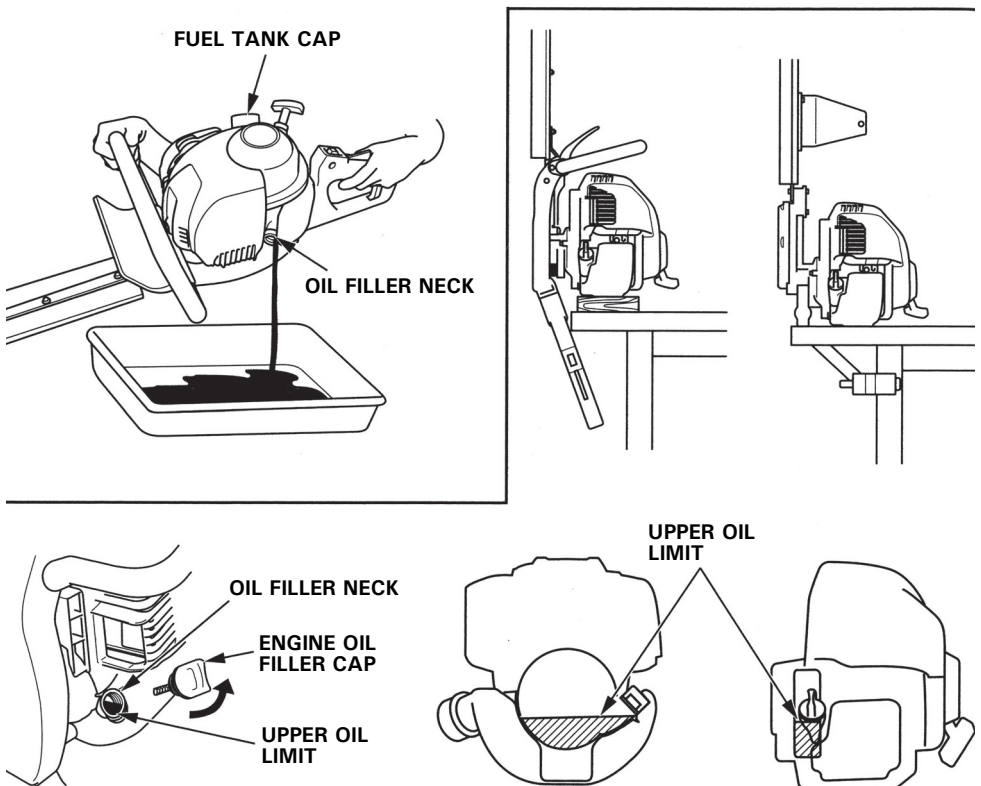
NOTE:

Drain the oil while the engine is still warm to assure rapid and complete draining.

1. Check the fuel tank cap is tightened securely.
2. Remove the oil filler cap and drain the oil into the oil container by tipping the hedge trimmer toward the oil filler neck.
3. Refill with the recommended oil (see page 26) and check the oil level (see page 25).
4. Install the oil filler cap.

ENGINE OIL CAPACITY: 0.08 L (0.08 US qt, 0.07 Imp qt)

Wash your hands with soap and water after handling used oil.



NOTE:

Please dispose of used motor oil in a manner that is compatible with the environment. We suggest you take it in a sealed container to your local service station for reclamation. Do not throw it in the trash or pour it on the ground or down a drain.

2. Air cleaner service

A dirty air cleaner will restrict air flow to the carburetor. To prevent carburetor malfunction, service the air cleaner regularly. Service more frequently when operating the hedge trimmer in extremely dusty areas.

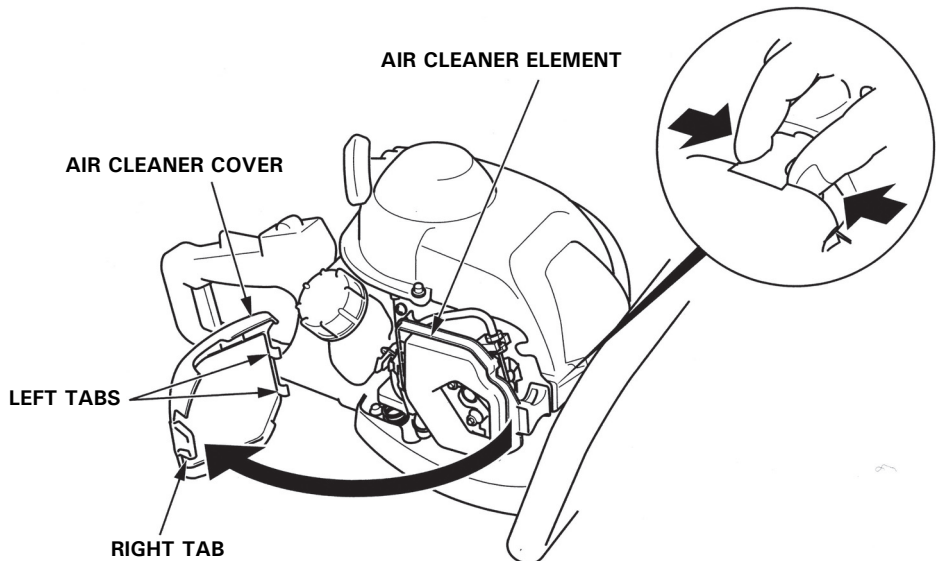
▲ WARNING

Never use gasoline or low flash point solvents for cleaning the air cleaner element. A fire or explosion could result.

CAUTION:

Never run the engine without the air cleaner. Rapid engine wear will result.

1. Move the choke lever to the CLOSED position (see page 23).
2. Remove the air cleaner cover by unhooking the right tab on the right of the air cleaner cover and its two left tabs.
3. Wash the element in a non-flammable or high flash point solvent and dry it thoroughly.
4. Soak the element in clean engine oil and squeeze out the excess oil.
5. Reinstall the air cleaner element.
6. Reinstall the air cleaner cover by inserting the left tabs, then insert the right tab.



3. Spark plug service

Recommended spark plug: CMR5H (NGK)

To ensure proper engine operation, the spark plug must be properly gapped and free of deposits.

⚠ WARNING

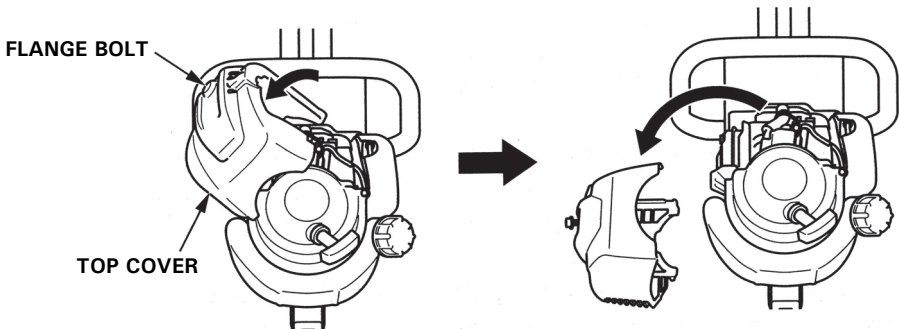
If the engine has been running, the muffler will be very hot, be careful not to touch the muffler.

CAUTION:

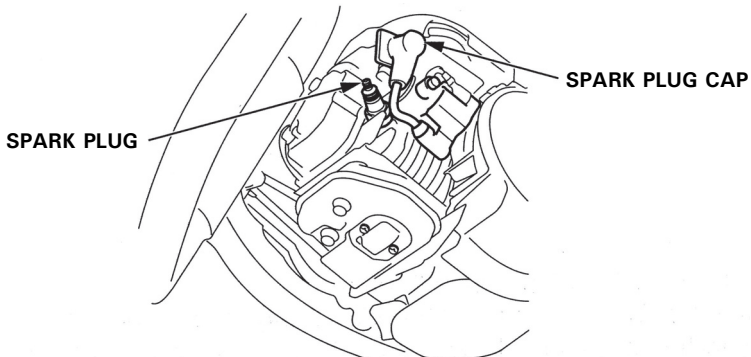
Never use a spark plug of incorrect heat range.

1. Loosen the flange bolt with a hex wrench.
2. Remove the top cover, sliding it to the left.

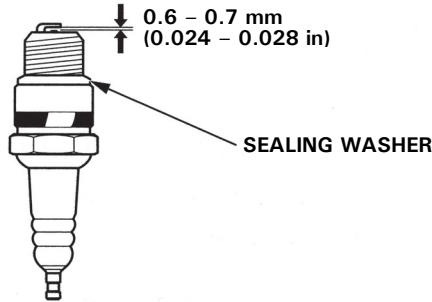
Do not pull the starter grip and start the engine without the top cover. There are rotating and hot parts under the cover.



3. Remove any dirt from around the spark plug area.
4. Remove the spark plug cap and use the proper size spark plug wrench to remove the spark plug.



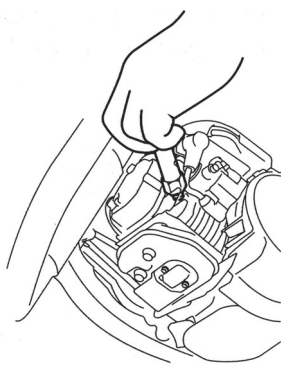
-
5. Visually inspect the spark plug. Discard the spark plug if there is apparent wear, or if the insulator is cracked or chipped. Clean the spark plug with a wire brush if it is to be reused.
 6. Measure the plug gap with a feeler gauge. Correct as necessary by bending the side electrode.
The gap should be:
0.6 – 0.7 mm (0.024 – 0.028 in)



7. Check that the sealing washer is in good condition and thread the spark plug in by hand to prevent cross-threading.
8. After the spark plug is seated, tighten with a spark plug wrench to compress the washer.
When installing a new spark plug, tighten 1/2 turn after the spark plug seats to compress the washer. When reinstalling a used spark plug, tighten 1/8 – 1/4 turn after the spark plug seats to compress the washer.

CAUTION:

The spark plug must be securely tightened. An improperly tightened spark plug can become very hot and may damage the engine.



9. Attach the spark plug cap securely.
10. Install the top cover, and tighten the flange bolt securely.
Be careful not to tuck down the packing when you install the top cover.

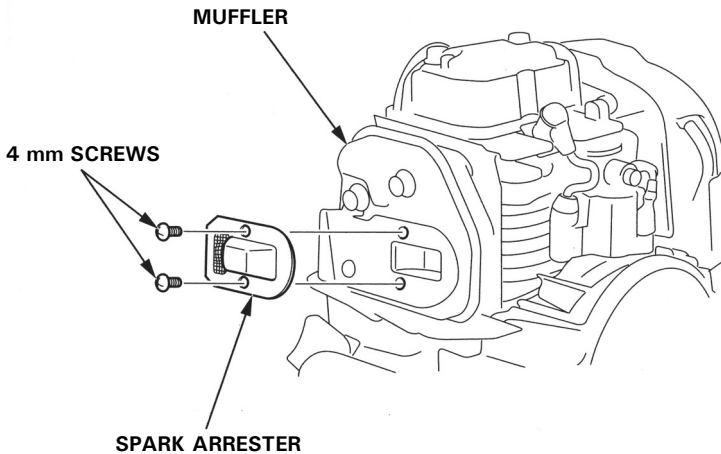
4. Spark arrester service (Equipped type)

⚠ WARNING

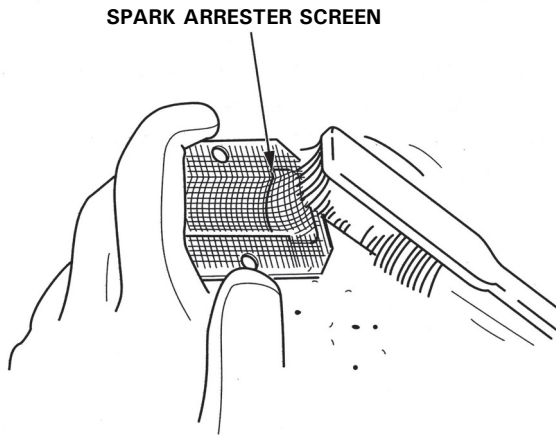
If the engine has been running, the muffler will be very hot, be careful not to touch the muffler.

The spark arrester must be serviced every 100 hours to keep it functioning as designed.

1. Loosen the flange bolt with a hex wrench (see page 50).
2. Remove the top cover, sliding it to the left (see page 50).
Do not pull the starter grip and start the engine without the top cover.
There are rotating and hot parts under the cover.
3. Remove the 4 mm screws from the spark arrester, and remove the spark arrester from the muffler.

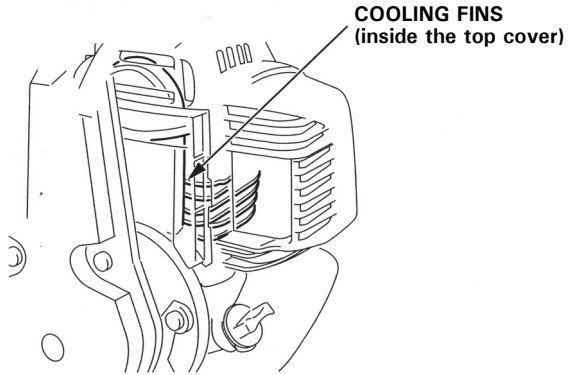


-
4. Use a brush to remove carbon deposits from the spark arrester screen.
Be careful to avoid damaging the screen.
The spark arrester must be free of breaks and holes. If it is damaged or fouled excessively, have it serviced by your Honda dealer.
 5. Install the spark arrester in the reverse order of disassembly.
 6. Install the top cover, and tighten the flange bolt securely.
Be careful not to tuck down the packing when you install the top cover.



5. Engine cooling fins inspection

Inspect the cooling fins visually through the top cover. If there are dry grass, leaves and mud clogged, consult your authorized Honda power equipment dealer for cleaning it.

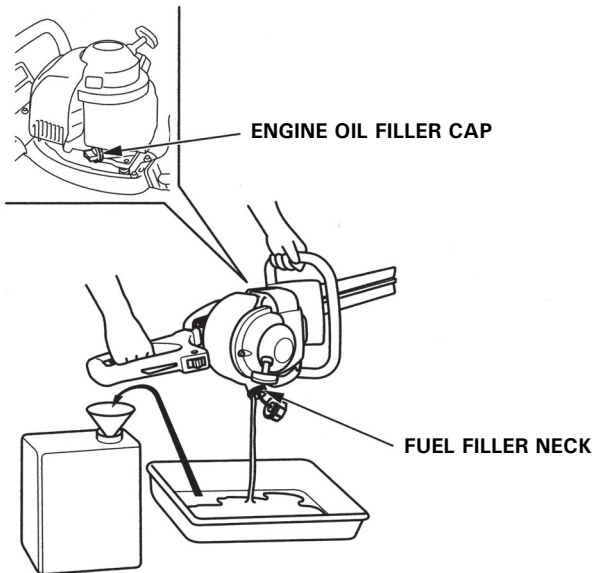


6. Fuel filter service

⚠ WARNING

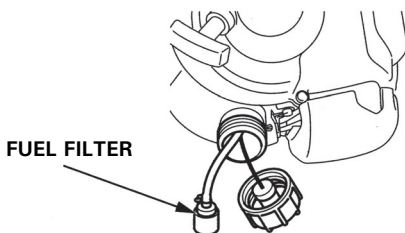
Gasoline is extremely flammable and is explosive under certain conditions. Do not smoke or allow flames or sparks in the area.

1. Check the engine oil filler cap is tightened securely.
2. Remove the fuel tank cap and drain the fuel into an approved gasoline container by inclining the hedge trimmer toward the fuel filler neck.

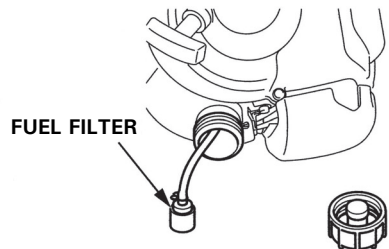


3. Pull out the fuel filter with the mechanic's wire from the fuel filler neck gently.
4. Check the fuel filter of its dirt. If the fuel filter is dirty, wash it gently with non-flammable or high flash point solvent. If the fuel filter is excessively dirty, replace it.

< For Europe type >



< Except for Europe type >



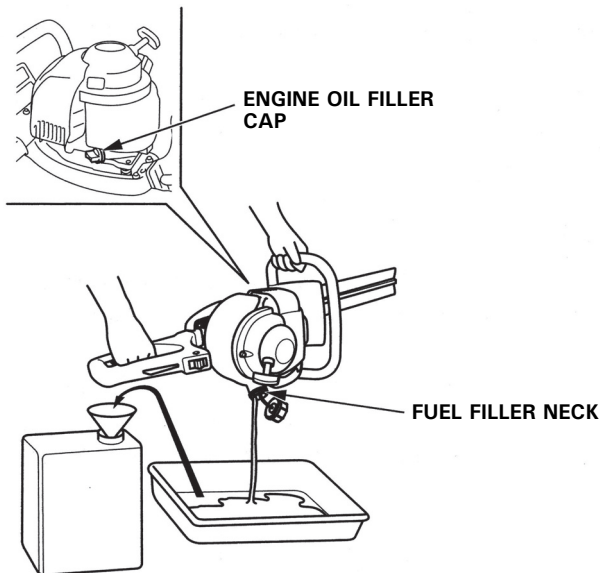
5. Return the fuel filter into the fuel tank and tighten the fuel tank cap securely.

7. Fuel tank cleaning

⚠ WARNING

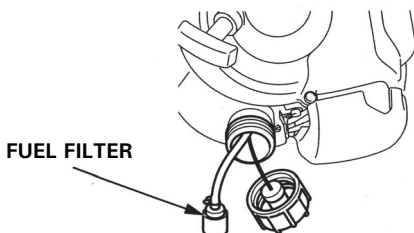
Gasoline is extremely flammable and is explosive under certain conditions. Do not smoke or allow flames or sparks in the area.

1. Check the engine oil filler cap is tightened securely.
2. Remove the fuel tank cap and drain the fuel into an approved gasoline container by inclining the hedge trimmer toward the fuel filler neck.

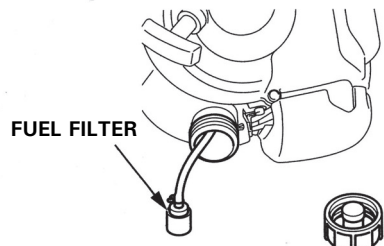


3. Pull out the fuel filter with the mechanic's wire from the fuel filler neck gently.
4. Remove water and dirt stood in the fuel tank by rinsing the inside of the fuel tank with non-flammable or high flash point solvent.

<For Europe type >



<Except for Europe type >



5. Return the fuel filter into the fuel tank and tighten the fuel tank cap securely.

10. STORAGE

Proper storage preparation is essential for keeping your hedge trimmer trouble free and looking good. The following steps will help to keep rust and corrosion from impairing your hedge trimmer.

CAUTION:

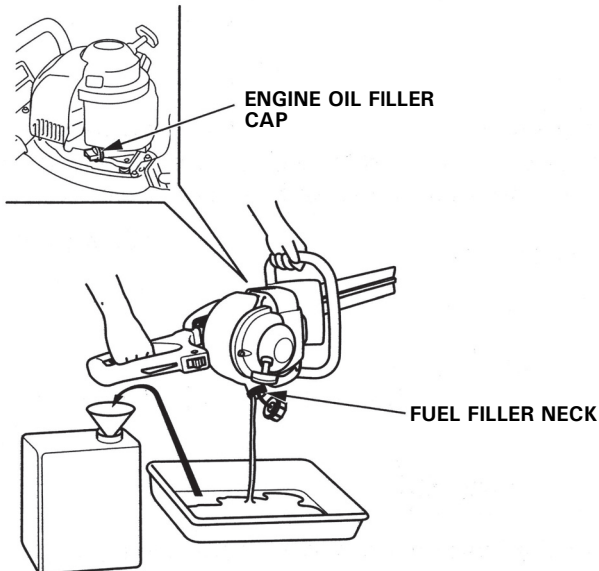
- If the hedge trimmer has been running, the engine will be very hot; allow it to cool before proceeding.
- Place the hedge trimmer on a level surface and remove the spark plug cap to be certain the engine will not start accidentally.

1. Clean all exterior surfaces, touch up any damaged paint, and coat other areas that may rust with a light film of oil.
2. Drain the fuel....

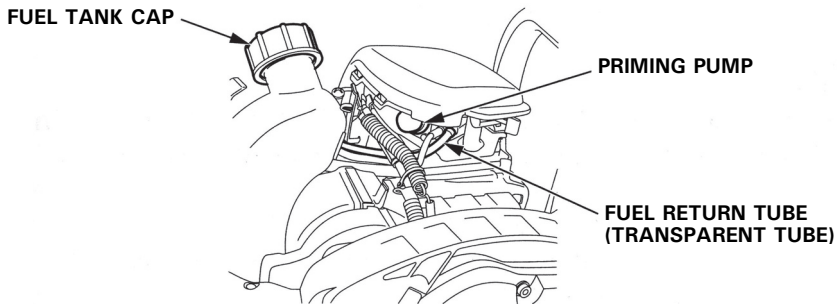
⚠ WARNING

Gasoline is extremely flammable and explosive under certain conditions. Do not smoke or allow flames or sparks in the area.

- a. Be sure that the engine oil filler cap is tightened securely.
- b. Remove the fuel tank cap and drain the fuel into an approved gasoline container by tipping the hedge trimmer toward the fuel filler neck.



-
- c. Press the priming pump several times until all fuel left in the fuel return tube (transparent tube) is returned into the fuel tank.



- d. Tip the hedge trimmer toward the fuel filler neck again to drain the fuel left in the fuel tank into the container.
e. Tighten the fuel tank cap securely after draining the fuel completely.

3. Change the engine oil (see page 47).
4. Clean the air cleaner (see page 49).
5. Loosen the flange bolt with a hex wrench, then remove the top cover (see page 50).
6. Remove the spark plug (see page 50).
7. Apply a couple of drops of clean engine oil into the cylinder.
8. Install the top cover temporarily.
9. Pull the starter grip several times to distribute the oil in the cylinder.
10. Remove the top cover, then reinstall the spark plug.
11. Install the top cover, and tighten the flange bolt securely.
12. Pull the starter grip slowly until resistance is felt.
13. Apply oil to the cutter blade.
14. Install the cover into the cutter blade.
15. Keep the hedge trimmer out of reach of children, and keep it free from moisture and dust.
16. Cover the hedge trimmer to keep out dust.

When the engine will not start:

1. Is the engine switch in the ON position?
2. Is there fuel in the fuel tank (see page 27)?

⚠ WARNING

Gasoline is extremely flammable and explosive under certain conditions. Do not smoke or allow flames or sparks in the area.

3. Is gasoline reaching the carburetor?
To check, press the priming pump several times (see page 35).
4. Is the spark plug in good condition?
Remove and inspect the spark plug. Clean, readjust gap and dry the spark plug. Replace it if necessary (see page 50).
5. If the engine still does not start, take the hedge trimmer to an authorized Honda dealer.

When an abnormal vibration occurs during operation, immediately turn off the engine and check the cutter blade is properly installed and tightened securely, and inspect it for wear, crack or any other damage (see page 32).

12. SPECIFICATIONS

Model	HHH25D
Power products description code	UTBJ

Frame

Type	60ET, 60UT	75ET, 75UT
Blade type	Dual blade	
Overall length	1,080 mm (42.5 in)	1,220 mm (48.0 in)
Overall width	312 mm (12.3 in)	
Overall height	259 mm (10.2 in)	
Dry mass [weight]	6.3 kg (13.9 lbs)	6.6 kg (14.6 lbs)
Clutch type	Centrifugal clutch	
Blade length	580 mm (22.8 in)	720 mm (28.3 in)

Noise and Vibration

Type	60ET	60UT	75ET	75UT
Sound pressure level at operator's ears EN774: 1996/A3: 2001	92 dB (A)	—	90 dB (A)	—
Uncertainty	3 dB (A)	—	2 dB (A)	—
Measured sound power level (2000/14/EC, 2005/88/EC)	101 dB (A)	—	102 dB (A)	—
Uncertainty	3 dB (A)	—	2 dB (A)	—
Guaranteed sound power level (2000/14/EC, 2005/88/EC)	104 dB (A)	—	104 dB (A)	—
Sound pressure level Australia New South Wales standard	—	82 dB (A)	—	82 dB (A)
Vibration level at hand arm (EN774: 1996/A3: 2001)	Fr.	5.2 m/s ²		5.2 m/s ²
	Rr.	6.9 m/s ²		6.9 m/s ²
Uncertainty (EN12096: 1997 Annex D)	Fr.	2.1 m/s ²		2.1 m/s ²
	Rr.	2.8 m/s ²		2.8 m/s ²

Specifications are subject to change without notice.

Engine

Engine model	GX25T
Engine description code	GCALT
Engine type	4-stroke, overhead camshaft, 1 cylinder
Displacement	25.0 cm ³ (1.53 cu-in)
Bore × Stroke	35.0 × 26.0 mm (1.38 × 1.02 in)
Engine Net Power (in accordance with SAE J1349*)	0.72 kW (1.0 PS)/7,000 rpm
Engine Max. Net Torque (in accordance with SAE J1349*)	1.0 N·m (0.10 kgf·m, 0.74 lbf·ft)/5,000 rpm
Cooling system	Forced air
Ignition system	Transistorized magneto
Oil capacity	0.08 L (0.08 US qt, 0.07 Imp qt)
Fuel tank capacity	0.45 L (0.119 US gal, 0.099 Imp gal)
Spark plug	NGK: CMR5H

*: The power rating of the engine indicated in this document is the net power output tested on a production engine for the engine model and measured in accordance with SAE J1349 at 7,000 rpm (Engine Net Power) and at 5,000 rpm (Engine Net Torque). Mass production engines may vary from this value.

Actual power output for the engine installed in the final machine will vary depending on numerous factors, including the operating speed of the engine in application, environmental conditions, maintenance, and other variables.

Tune up

ITEM	SPECIFICATION	MAINTENANCE
Spark plug gap	0.6 – 0.7 mm (0.024 – 0.028 in)	Refer to page: 50
Valve clearance (cold)	IN: 0.08 ± 0.02 mm EX: 0.11 ± 0.02 mm	See your authorized Honda dealer
Other specifications	No other adjustment needed.	

Specifications are subject to change without notice.

Model	HHH25S
Power products description code	UTAJ

Frame

Type	75ET
Blade type	Single blade
Overall length	1,125 mm (44.3 in)
Overall width	310 mm (12.2 in)
Overall height	259 mm (10.2 in)
Dry mass [weight]	5.8 kg (12.8 lbs)
Clutch type	Centrifugal clutch
Blade length	720 mm (28.3 in)

Noise and Vibration

Type	75ET	
Sound pressure level at operator's ears EN774: 1996/A3: 2001	90 dB (A)	
Uncertainty	3 dB (A)	
Measured sound power level (2000/14/EC, 2005/88/EC)	101 dB (A)	
Uncertainty	3 dB (A)	
Guaranteed sound power level (2000/14/EC, 2005/88/EC)	104 dB (A)	
Sound pressure level Australia New South Wales standard	—	
Vibration level at hand arm (EN774: 1996/A3: 2001)	Fr.	12.3 m/s ²
	Rr.	5.4 m/s ²
Uncertainty (EN12096: 1997 Annex D)	Fr.	4.9 m/s ²
	Rr.	2.2 m/s ²

Specifications are subject to change without notice.

Engine

Engine model	GX25T
Engine description code	GCALT
Engine type	4-stroke, overhead camshaft, 1 cylinder
Displacement	25.0 cm ³ (1.53 cu-in)
Bore × Stroke	35.0 × 26.0 mm (1.38 × 1.02 in)
Engine Net Power (in accordance with SAE J1349*)	0.72 kW (1.0 PS)/7,000 rpm
Engine Max. Net Torque (in accordance with SAE J1349*)	1.0 N·m (0.10 kgf·m, 0.74 lbf·ft)/5,000 rpm
Cooling system	Forced air
Ignition system	Transistorized magneto
Oil capacity	0.08 L (0.08 US qt, 0.07 Imp qt)
Fuel tank capacity	0.45 L (0.119 US gal, 0.099 Imp gal)
Spark plug	NGK: CMR5H

*: The power rating of the engine indicated in this document is the net power output tested on a production engine for the engine model and measured in accordance with SAE J1349 at 7,000 rpm (Engine Net Power) and at 5,000 rpm (Engine Net Torque). Mass production engines may vary from this value.

Actual power output for the engine installed in the final machine will vary depending on numerous factors, including the operating speed of the engine in application, environmental conditions, maintenance, and other variables.

Tune up

ITEM	SPECIFICATION	MAINTENANCE
Spark plug gap	0.6 – 0.7 mm (0.024 – 0.028 in)	Refer to page: 50
Valve clearance (cold)	IN: 0.08 ± 0.02 mm EX: 0.11 ± 0.02 mm	See your authorized Honda dealer
Other specifications	No other adjustment needed.	

Specifications are subject to change without notice.

HONDA HHH25D/HHH25S

MANUEL DE L'UTILISATEUR
Notice originale



Nous vous remercions d'avoir porté votre choix sur un taille-haie Honda.

Ce manuel traite du fonctionnement et de l'entretien du taille-haie HHH25D/HHH25S Honda.

Honda Motor Co., Ltd. se réserve le droit d'effectuer des modifications à tout moment sans autre avertissement et sans obligation de sa part.

Aucun passage de cette brochure ne pourra être reproduit sans autorisation écrite.

Ce manuel doit être considéré comme un élément permanent du taille-haie et doit l'accompagner en cas de vente.

Prêtez une attention particulière aux indications précédées des mentions suivantes:

▲ATTENTION Signale un risque important de blessure, voire de mort, si les instructions ne sont pas suivies.

PRÉCAUTION: Signale une possibilité de blessures corporelles graves ou de détérioration de l'équipement si les instructions ne sont pas suivies.

REMARQUE: Communique des renseignements utiles.

En cas de problème, ou pour toute question concernant le taille-haie, consultez un concessionnaire Honda autorisé.

Les taille-haies Honda sont conçus pour garantir un service sûr et fiable lorsqu'ils sont utilisés conformément aux instructions.

▲ATTENTION La manipulation de cet appareil exige un effort particulier pour garantir la sécurité de l'opérateur et des autres personnes. Lisez ce manuel de façon à bien comprendre le fonctionnement avant de mettre le taille-haie en service. Le non respect de cette consigne peut avoir pour conséquence des blessures ou des dommages du matériel.

- Les illustrations de ce manuel sont essentiellement basées sur le modèle: HHH25D

Mise au rebut

Pour la protection de l'environnement, ne pas jeter ce produit, la batterie, l'huile moteur, etc., aux ordures. Observez la réglementation locale ou consultez le concessionnaire Honda agréé pour s'en débarrasser.

SOMMAIRE

1. RÈGLES DE SÉCURITÉ	3
2. EMBLACEMENT DES AUTOCOLLANTS DE SÉCURITÉ.....	15
Emplacement de la marque CE et des autocollants de bruit	16
3. IDENTIFICATION DES COMPOSANTS.....	19
4. COMMANDES.....	22
5. CONTRÔLES AVANT L'UTILISATION.....	25
6. DÉMARRAGE DU MOTEUR.....	34
Modification du carburateur pour une utilisation à haute altitude...	38
7. ÉLAGAGE.....	39
8. ARRÊT DU MOTEUR.....	43
9. ENTRETIEN.....	44
10. REMISAGE	57
11. DÉPANNAGE	59
12. CARACTÉRISTIQUES.....	60
ADRESSES DES PRINCIPAUX	
DISTRIBUTEURS Honda	Intérieur de couverture
Déclaration CE de conformité	
CONTENU SOULIGNÉ	Intérieur de couverture

1. RÈGLES DE SÉCURITÉ

▲ ATTENTION

Pour un fonctionnement sans danger

Pour assurer votre sécurité et celle des autres, portez une attention toute particulière aux précautions ci-dessous :



- Le taille-haie Honda est conçu pour assurer un service fiable et sûr s'il est utilisé conformément aux instructions. Lisez ce manuel de façon à bien comprendre le fonctionnement avant de mettre le taille-haie en service. Le non respect de cette consigne peut avoir pour conséquence des risques de blessures personnelles ou des dégâts matériels.



- Les gaz d'échappement contiennent du monoxyde de carbone, un gaz toxique incolore et inodore. Il peut provoquer des évanouissements et être mortel s'il est inhalé.
- Si le taille-haie est utilisé dans un endroit fermé ou même partiellement clos, l'air respiré peut contenir une quantité dangereuse de gaz d'échappement.
- Ne jamais faire fonctionner le taille-haie dans un garage, une maison ou à proximité de fenêtres ou portes ouvertes.



- L'essence est une substance extrêmement inflammable qui peut exploser dans certaines conditions.
- Ne fumez pas. Empêchez toute présence de flamme ou d'étincelle dans la zone de stockage de l'essence ou de remplissage du taille-haie.
- Ne remplissez pas trop le réservoir de carburant et assurez-vous que le bouchon du réservoir est fermé à fond après avoir fait le plein.
- Faites le plein dans un endroit bien aéré avec le moteur arrêté.



- Éloignez toutes les personnes et animaux dans la zone de fonctionnement du taille-haie.
- Pour empêcher un contact accidentel avec la lame de coupe pendant le fonctionnement ou avec des objets projetés par la lame de coupe, empêchez les personnes ou les animaux de s'approcher à moins de 4,5 m du taille-haie pendant l'utilisation.



- Portez toujours des lunettes, un casque et tout autre accessoire de protection nécessaires pour protéger les yeux et le corps contre les éventuelles projections d'objets (gravier, verre, pièces métalliques, etc.) provenant de la lame de coupe.

▲ ATTENTION**Pour un fonctionnement sans danger****Responsabilité de l'opérateur**

- Chaque pièce de l'appareil est une source potentielle de danger si celui-ci n'est pas utilisé dans des conditions normales ou si la maintenance n'est pas effectuée correctement.
- Lisez en détail le manuel du propriétaire. Il est important de se familiariser avec les commandes du taille-haie et leur utilisation. Apprenez à arrêter le moteur rapidement.
- Utilisez le taille-haie comme il se doit, c'est à dire pour tailler les haies.
Toute autre utilisation peut être dangereuse ou endommager le taille-haie.
N'utilisez pas le taille-haie comme une serpe
- Ne laissez jamais les enfants ou les personnes n'ayant pas pris connaissance du manuel du propriétaire, utiliser le taille-haie. Les réglementations locales peuvent limiter l'âge de l'utilisateur.
- Si vous prêtez ou revendez le taille-haie à une tierce personne, donnez les explications nécessaires de manipulation. Recommandez la lecture et l'assimilation du manuel du propriétaire avant l'opération.
- N'utilisez jamais le taille-haie dans les cas suivants:
 - des personnes, toute particulièrement des enfants ou bien des animaux sont proches.
 - l'utilisateur est fatigué ou en traitement, ou a avalé des substances connues pour ralentir les réactions et la prise de décision.
- Ne pas laisser approcher les personnes et les animaux à moins de 4,5 mètres de l'opérateur pendant le fonctionnement. Veillez à ce que l'assistant, le cas échéant, se trouve également à au moins 4,5 mètres de l'opérateur. Nous recommandons que l'opérateur et son assistant conviennent d'un signal d'arrêt du moteur et d'autres signaux et qu'ils les utilisent pour assurer la sécurité pendant le fonctionnement.
- N'oubliez pas que l'opérateur ou l'utilisateur est responsable des accidents ou dangers impliquant d'autres personnes ou leur propriété.

▲ ATTENTION

Pour un fonctionnement sans danger

Responsabilité de l'opérateur

- Portez toujours les vêtements et accessoires de protection suivants avant d'utiliser le taille-haie.
 - Vêtements de protection
Portez des vêtements à manches longues et un pantalon.
Les vêtements ne doivent pas être amples et doivent être fermés au moyen des boutons ou de la fermeture éclair. Ne laissez pas pendre les manches ou le bas de la chemise/veste. Les bras doivent rester couverts.
Ne portez pas de vêtements avec lacets ou dentelles, et ne mettez pas de cravate ou de collier pendant le fonctionnement. Ils peuvent s'accrocher dans le taille-haie et présentent un risque de blessure. Attachez vos cheveux, qui ne devront pas tomber au-dessous des épaules.
 - Accessoires de protection
 - * Lunettes protectrices
Portez des lunettes protectrices ou d'autres protections pour protéger vos yeux contre les débris projetés par la lame de coupe en fonctionnement.
 - * Casque
Portez un casque pour protéger votre tête contre les branches ou tout autre objet pouvant tomber.
 - * Masque
Portez un masque pour protéger votre visage contre tout objet pouvant être projeté par l'outil de coupe.
 - * Protège-oreilles ou protège-tympons
Portez un protège-oreilles ou un protège-tympons ou autre accessoire comme protection contre le bruit.
 - * Gants
Portez des gants pour protéger vos mains.
 - * Bottes de sécurité
Portez des bottes de sécurité avec une semelle anti-dérapante et un embout protecteur pour protéger des débris.
N'utilisez pas le matériel si vous êtes pieds-nus ou si vous portez des sandales ouvertes.
Pensez aussi à protéger vos jambes.

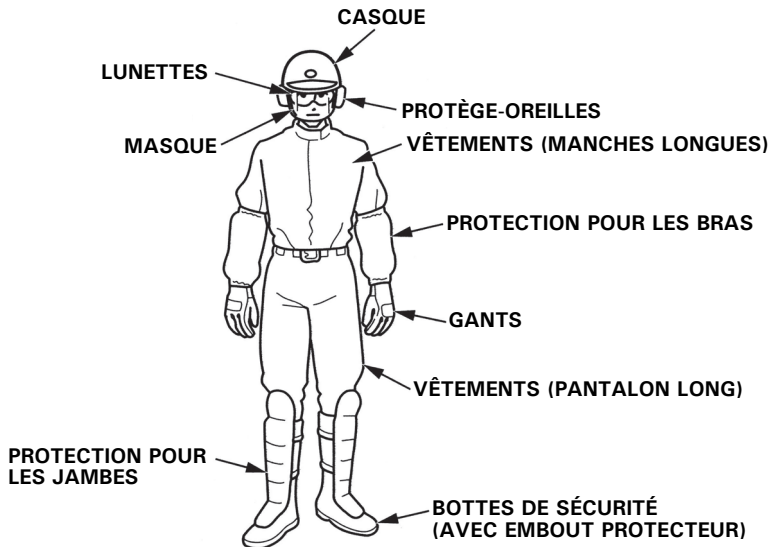
⚠ ATTENTION

Pour un fonctionnement sans danger

Responsabilité de l'opérateur

* Masque contre les poussières

Il est recommandé de porter un masque contre les poussières si vous êtes sensibles aux allergies ou aux effets du pollen. Les masques contre les poussières sont en vente en pharmacie et sont efficaces pour empêcher le pollen de pénétrer dans les voies respiratoires.



- Avant chaque utilisation, recherchez la présence de dommage et de pièce de fixation desserrées sur le taille-haie.
- Avant chaque utilisation, vérifiez s'il n'y a pas de traces de fuites d'huile ou d'essence autour ou sous le moteur.
- Évitez d'utiliser le taille-haie de nuit ou par mauvais temps et faible visibilité. Il y a en effet un plus grand risque d'accident.
- Ne courez jamais en utilisant la machine.
- Évitez le fonctionnement du taille-haie en pente raide.
Les pentes raides sont très glissantes, vous pouvez donc glisser.

▲ ATTENTION**Pour un fonctionnement sans danger****Responsabilité de l'opérateur**

- N'utilisez pas le taille-haie si les étiquettes, ou autres pièces ont été retirées.
- N'installez pas de pièce incorrecte et ne modifiez en aucun cas le taille-haie. Ceci pourrait entraîner des blessures personnelles et/ou des dommages matériels.
- Avant de lancer le moteur, assurez-vous que la lame de coupe ne pourra pas venir en contact avec le sol ou un obstacle.
- Démarrez le moteur avec précaution et selon les instructions, en éloignant les mains et les pièces de la lame de coupe.
- Démarrez le taille-haie sur une surface de niveau sans herbes hautes ni obstacles.
- N'appuyez pas le taille-haie sur un arbre, etc. La vitesse et le mouvement de la lame de coupe doivent correspondre.
- Ne transportez jamais le porte-haie quand il fonctionne. Avant de porter le taille-haie, coupez le moteur et attendez que la lame de coupe soit arrêtée. Couvrez la lame avec le couvre-lame en plastique avant de transporter le taille-haie.
- Quand le moteur est chaud, éloignez-vous du silencieux pour éviter de vous brûler.
Éloignez le taille-haie de votre corps en le portant car le silencieux reste chaud.

▲ ATTENTION

Pour un fonctionnement sans danger

Responsabilité de l'opérateur

- Arrêtez le moteur en plaçant le contacteur du moteur en position ARRET (OFF) dans les cas suivants:
 - Avant toute opération autour de la lame de coupe.
 - Avant de vérifier, nettoyer ou travailler avec le taille-haie.
 - Après un choc contre un objet étranger. Vérifiez l'état du taille-haie et procédez aux réparations avant de le remettre en marche et de le réutiliser.
 - Si le taille-haie se met à vibrer anormalement. Recherchez immédiatement la cause des vibrations et effectuez la réparation nécessaire.
- Mettez le contacteur du moteur sur OFF (arrêt), puis arrêtez le moteur dans les cas suivants:
 - Chaque fois que vous laissez le taille-haie sans surveillance.
 - Avant de refaire le plein.
 - Si quelqu'un ou un animal approche.
 - Arrêtez immédiatement le moteur dès que le taille-haie commence à vibrer anormalement. Des vibrations soudaines peuvent indiquer que les pièces coulissantes sont défectueuses ou desserrées. Recherchez la cause du problème et ne remettez pas en marche le moteur tant que les réparations nécessaires n'ont pas été effectuées.
 - Coupez immédiatement le moteur quand, après avoir remis la manette d'accélérateur en place, la lame coupante fonctionne encore. Recherchez la cause du problème et ne remettez pas en marche le moteur tant que les réparations nécessaires n'ont pas été effectuées.
 - Quand un câble accroche la lame de coupe. Retirez le câble après l'arrêt du moteur. Si vous le retirez sans arrêter le moteur, la lame de coupe commence à fonctionner. Il y a alors risque de blessures.
 - La lame de coupe doit être arrêtée avant de poser le taille-haie au sol.
Notez que la lame de coupe fonctionne par inertie juste après avoir replacé la manette d'accélérateur et quand le moteur fonctionne au ralenti.

▲ ATTENTION

Pour un fonctionnement sans danger

Responsabilité de l'opérateur

- Prenez les précautions nécessaires pour ne pas couper des choses dures, comme un câble ou une plaque en fer. Le non respect de cette consigne peut être à l'origine de panne ou d'accident.
Si le taille-haie touche un obstacle, arrêtez immédiatement le moteur et vérifiez s'il y a un problème sur la lame de coupe. N'utilisez en aucun cas la lame de coupe si elle est endommagée, fissurée, pliée, décolorée par la chaleur et très usée.
Si vous utilisez une lame de coupe fissurée, des pièces cassées de la lame pourraient être projetées.
- Le taille-haie est défectueux quand le moteur tourne au ralenti en ramenant la manette d'accélérateur en place mais que la lame de coupe continue le mouvement. Arrêtez immédiatement le moteur pour effectuer le réglage de vitesse. Consultez un concessionnaire Honda agréé.
- Maintenez le serrage de tous les écrous, boulons et vis pour s'assurer que le taille-haie est en état de fonctionnement. Il est essentiel d'effectuer régulièrement la maintenance pour que les conditions de sécurité soient appropriées et que le rendement soit au meilleur niveau.
- N'utilisez pas le taille-haie dont les pièces sont usées ou endommagées. Les pièces doivent être remplacées ou réparées. Remplacez les pièces usées ou détériorées par des pièces Honda d'origine. Des pièces équivalentes mais de qualité inférieure risquent de détériorer la machine et peuvent porter préjudice à la sécurité.
- Tenir le taille-haie fermement à deux mains pendant le fonctionnement pour garder le contrôle en permanence.
- La lame de coupe doit être orientée vers l'extérieur pour tailler une haie.
Ne tournez pas la lame de coupe. Ne l'orientez pas vers vous.
- N'utilisez pas le taille-haie à bout de bras. Ne l'utilisez pas sur une échelle, une table ou tout autre objet instable.

▲ ATTENTION**Pour un fonctionnement sans danger****Responsabilité de l'opérateur**

- **Blessures liées aux vibrations et au froid:**

Vous pouvez parfois être sujet à une sensation de picotement ou de brûlures sur les doigts, qui peuvent alors perdre leur couleur et devenir insensibles. Ces symptômes proviennent probablement des vibrations et/ou du froid. Il est difficile de détecter le début de ces symptômes. Il est donc recommandé de suivre les instructions ci-dessous:

 - * Limitez la durée de fonctionnement du taille-haie pendant la journée.
Une journée se compose du travail avec le taille-haie et du travail sans le matériel portatif. Vous pouvez donc limiter la durée de fonctionnement quand vos mains sont exposées aux vibrations de la machine.
 - * Votre corps doit être bien protégé du froid, particulièrement les mains, les poignets et les bras.
 - * Observez toujours des pauses à intervalles réguliers et faites des exercices pour faciliter la circulation du sang dans les bras. Ne fumez pas en travaillant.
 - * En cas de malaise, ou si les doigts sont rouges ou enflés, puis perdent leur couleur et deviennent insensibles, consultez un docteur sans délai.
- **Blessures liées à un usage répété:**

L'usage répété pendant une période prolongée peut être à l'origine de blessures. Pour réduire le risque de blessure, suivez les instructions ci-dessous.

 - * Variez la position des poignets pendant l'utilisation, qui pourront être pliés, tendus ou tournés.
 - * Faites une pause à intervalles réguliers pour minimiser les effets de l'usage répété. Prenez votre temps si le mouvement est répété. Évitez la précipitation quand vous utilisez le taille-haie.
 - * En cas de sensation d'élancement ou d'engourdissement dans les doigts, consultez un docteur.

▲ ATTENTION**Pour un fonctionnement sans danger****Sécurité des enfants**

- Gardez les enfants à la maison et tout le temps sous surveillance lorsqu'un taille-haie électrique est utilisé à proximité. Les jeunes enfants bougent rapidement et sont particulièrement attirés par le taille-haie et son fonctionnement.
- Ne jamais croire que les enfants vont rester là où vous les avez vus en dernier. Restez vigilant et arrêtez le taille-haie si des enfants s'approchent.
- Les enfants ne doivent jamais être autorisés à utiliser le taille-haie, même sous la surveillance d'adultes.

Danger d'objets projetés

Des objets touchés par la lame de coupe du taille-haie peuvent être projetés avec grande force. Ceci peut provoquer de graves blessures.

- Vérifiez à fond la zone où le taille-haie doit être utilisé et retirez tous les objets (pierres, branches, câbles, os, etc...) qui peuvent être projetés en utilisant la lame de coupe.

▲ ATTENTION**Pour un fonctionnement sans danger****Danger lié au feu et aux brûlures**

L'essence est extrêmement inflammable et les vapeurs d'essence peuvent exploser.

Faites très attention en manipulant de l'essence. Ne laissez pas à la portée des enfants.

- Stockez le carburant dans des conteneurs spécialement conçus à cet effet.
- Faites le plein uniquement à l'extérieur et ne fumez pas pendant cette opération ou en manipulant le carburant.
- Ajoutez du carburant avant de lancer le moteur. Ne retirez jamais le bouchon du réservoir de carburant, ni n'ajoutez de l'essence quand le moteur tourne ou quand celui-ci est chaud.
- En cas d'éclaboussures, n'essayez pas de démarrer le moteur mais déplacez plutôt le taille-haie de la zone et évitez de créer une source d'inflammation jusqu'à ce que les vapeurs soient totalement dissipées.
- Serrez à fond tous les bouchons de réservoirs et de conteneurs de carburant.
- Après avoir fait le plein, le moteur doit être situé à au moins 3 m de l'endroit où le réservoir a été rempli avant de le faire démarrer.
- Ne stockez jamais le taille-haie avec de l'essence dans le réservoir à l'intérieur d'un bâtiment dans lequel les vapeurs peuvent atteindre une flamme, une étincelle ou une source de température élevée.
- Laissez le moteur refroidir avant de le remiser.
- Pour éviter les risques d'incendie, éloignez le taille-haie, tout particulièrement du moteur, du silencieux, de la zone de stockage d'essence. Il ne doit y avoir aucune trace d'herbes, de feuilles ou de graisse en excès.
Ne laissez pas les conteneurs de matière végétale dans un bâtiment ou à côté.
- Si le réservoir de carburant doit être vidangé, le faire à l'extérieur avec un moteur froid.

▲ ATTENTION**Pour un fonctionnement sans danger****Risques d'intoxication au monoxyde de carbone**

Les gaz d'échappement contiennent du monoxyde de carbone, un gaz toxique incolore et inodore. Il peut provoquer des évanouissements et être mortel s'il est inhalé.

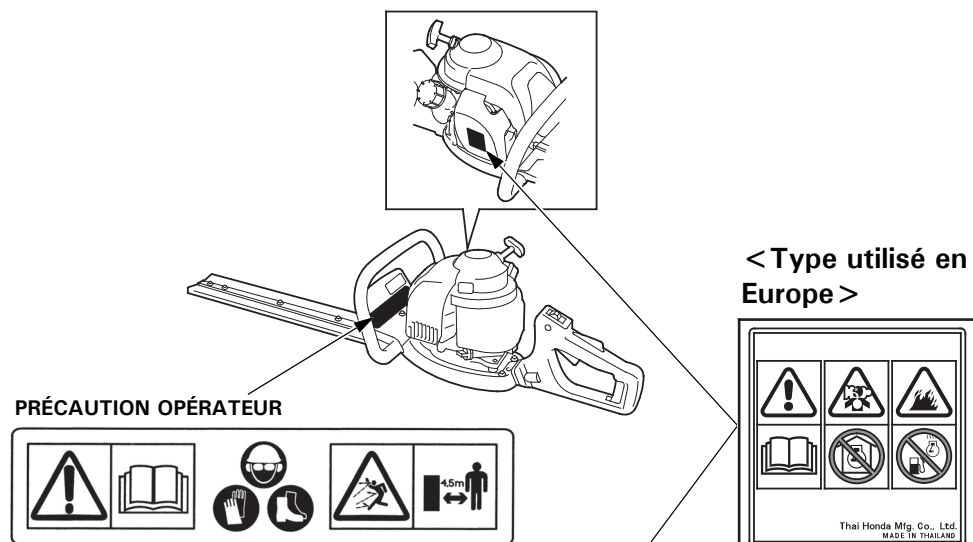
- Si le moteur tourne dans un endroit fermé ou même partiellement clos, l'air respiré peut contenir une quantité dangereuse de gaz d'échappement.
Pour éviter ceci, pensez à aérer correctement.
- Remplacez le silencieux défectueux.
- Ne faites pas tourner le moteur dans un endroit fermé où les vapeurs de monoxyde de carbone peuvent s'accumuler.

2. EMBLACEMENT DES AUTOCOLLANTS DE SÉCURITÉ

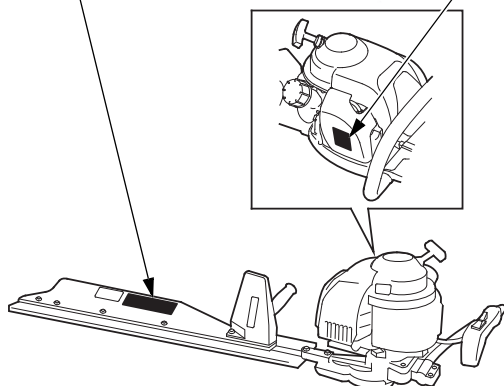
Votre taille-haie doit être utilisé avec précaution. Des pictogrammes sur la machine rappellent à l'opérateur les principales précautions à prendre lors de l'utilisation. Leurs significations sont expliquées sur la page 3.

Ces décalques sont considérés comme faisant partie du taille-haie. Si un décalque se détache ou devient illisible, contactez votre concessionnaire Honda pour le faire remplacer.

HHH25D:



HHH25S:

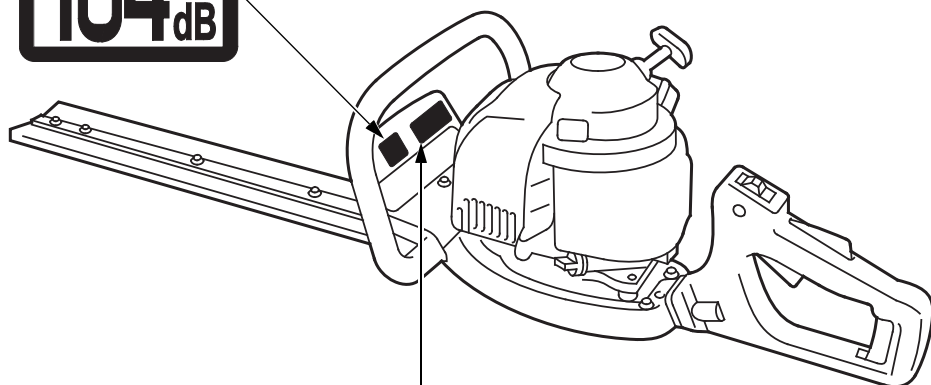
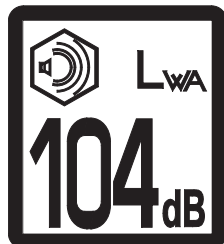


Emplacement de la marque CE et des autocollants de bruit

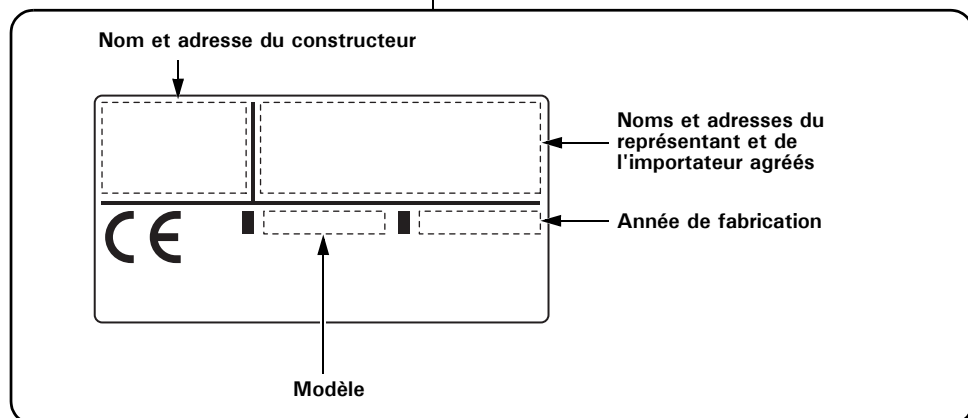
HHH25D:

< Type utilisé en Europe >

ÉTIQUETTE BRUITS



MARQUE CE

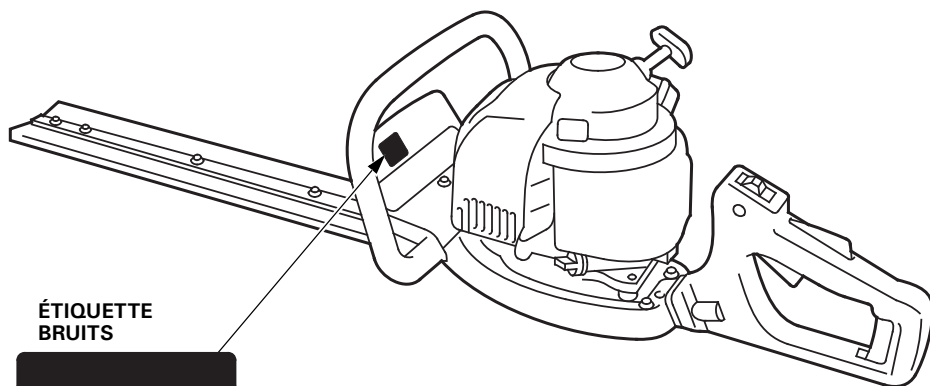


Les noms et adresses du fabricant, du représentant et de l'importateur agréés sont indiqués dans la section de DESCRIPTION DU CONTENU de la "Déclaration de conformité CE" du présent mode d'emploi.

Emplacement de l'étiquette bruits

HHH25D:

< Type utilisé en Australie >



ÉTIQUETTE
BRUITS

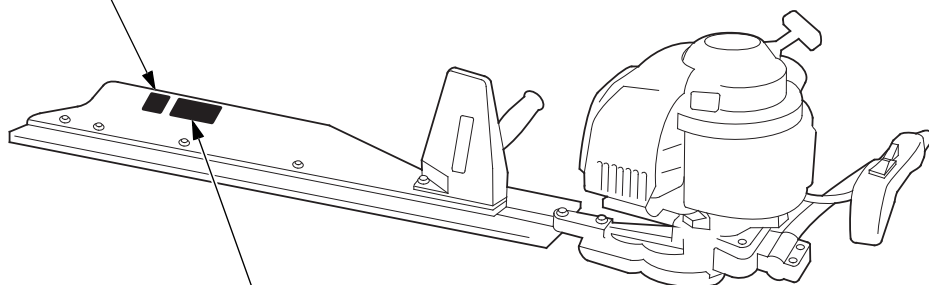


Emplacement de la marque CE et des autocollants de bruit

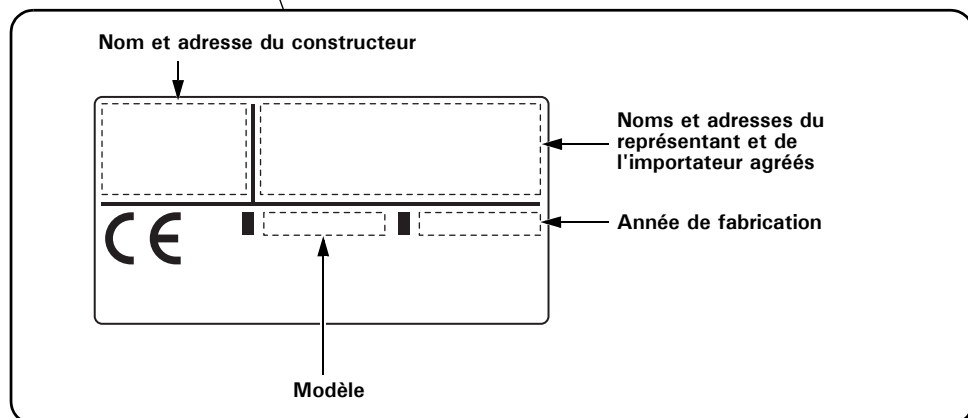
HHH25S:

< Type utilisé en Europe >

ÉTIQUETTE BRUITS



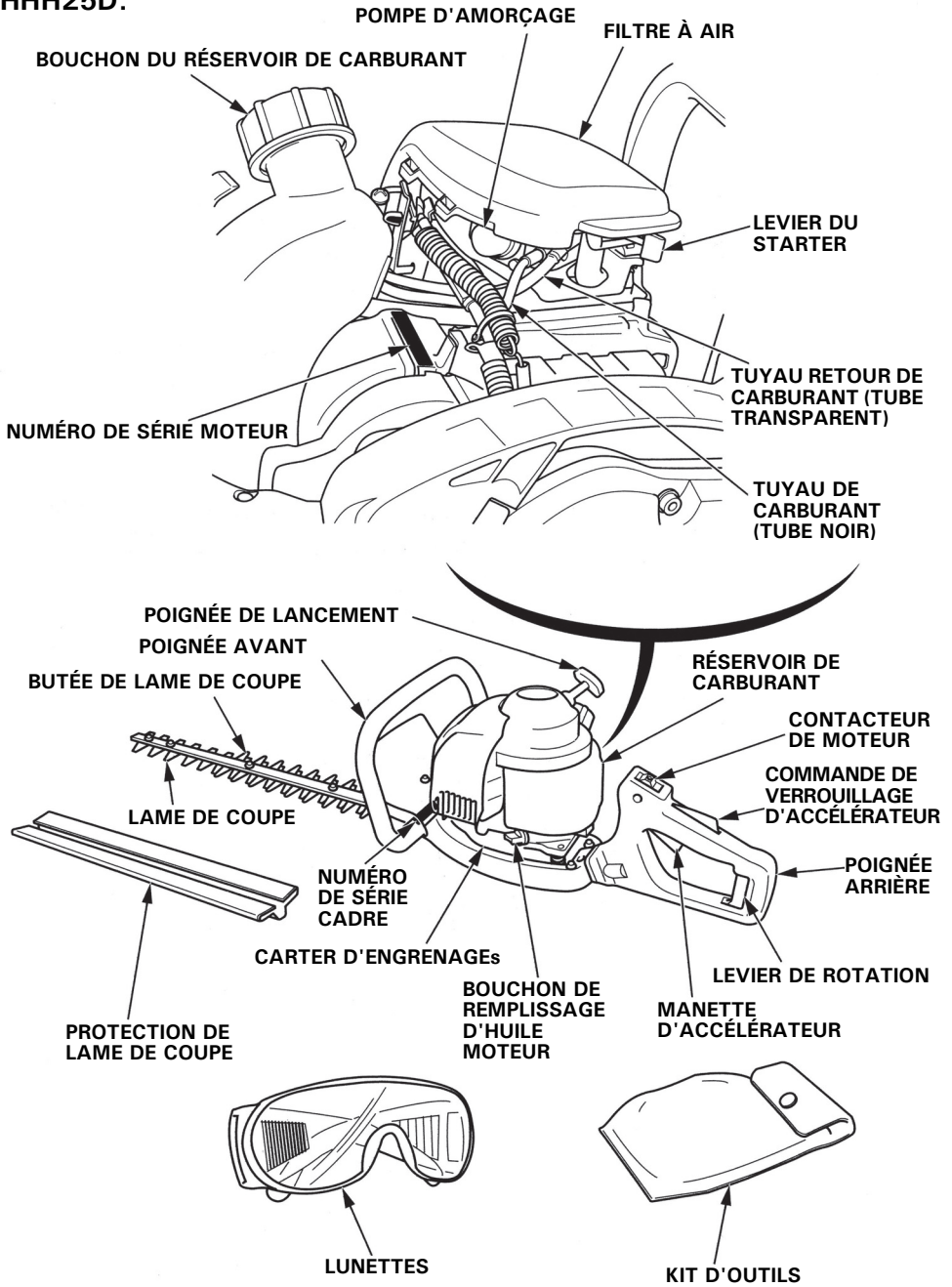
MARQUE CE



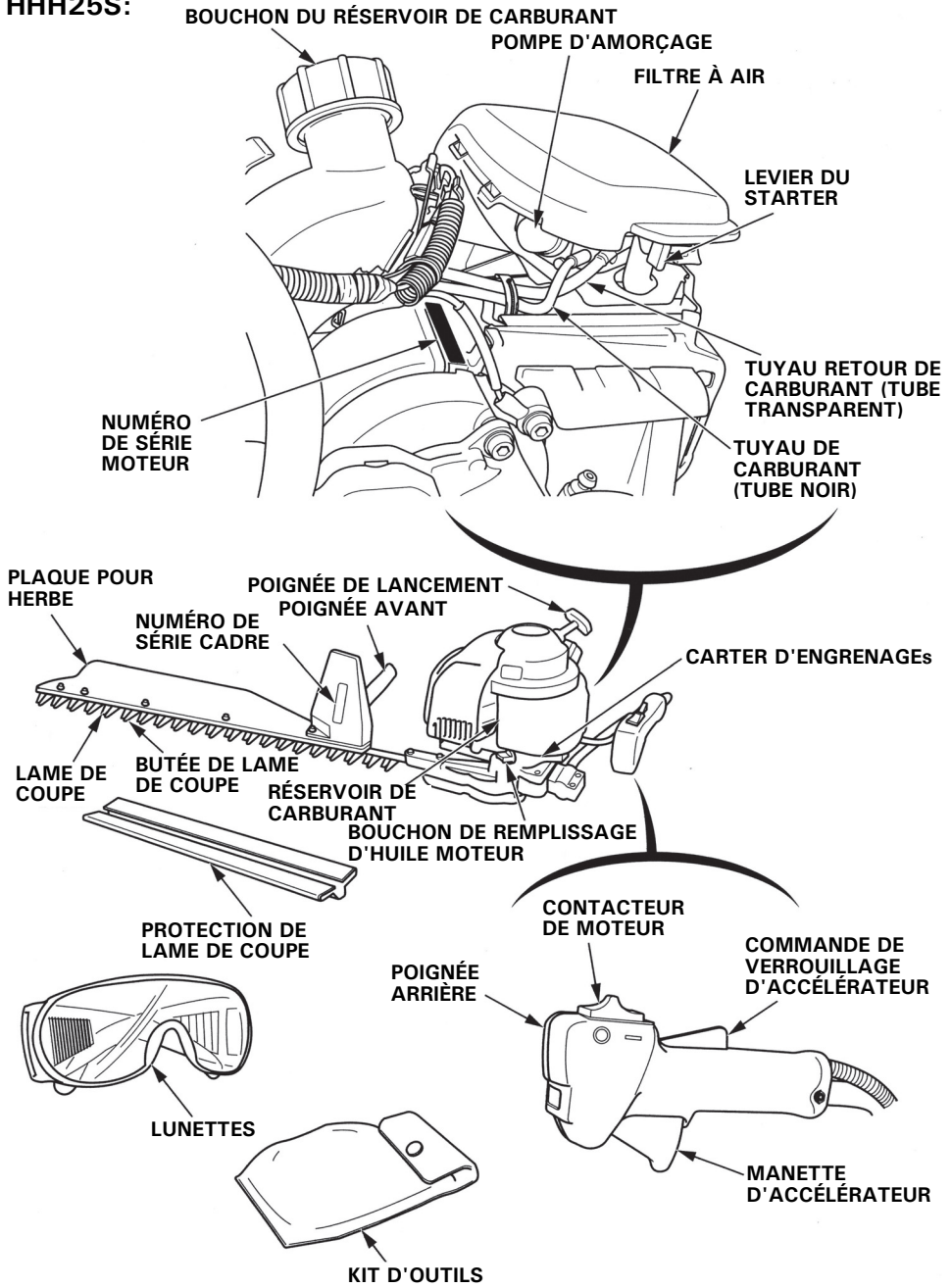
Les noms et adresses du fabricant, du représentant et de l'importateur agréés sont indiqués dans la section de DESCRIPTION DU CONTENU de la "Déclaration de conformité CE" du présent mode d'emploi.

3. IDENTIFICATION DES COMPOSANTS

HHH25D:



HHH25S:



Notez le numéro de série du cadre et le numéro de série du moteur (voir pages 19 ou 20) dans l'espace ci-dessous. Ces numéros de série sont nécessaires pour la commande de pièces, ainsi que pour toutes demandes techniques ou concernant la garantie.

Numéro de série moteur: _____

Numéro de série cadre: _____

4. COMMANDES

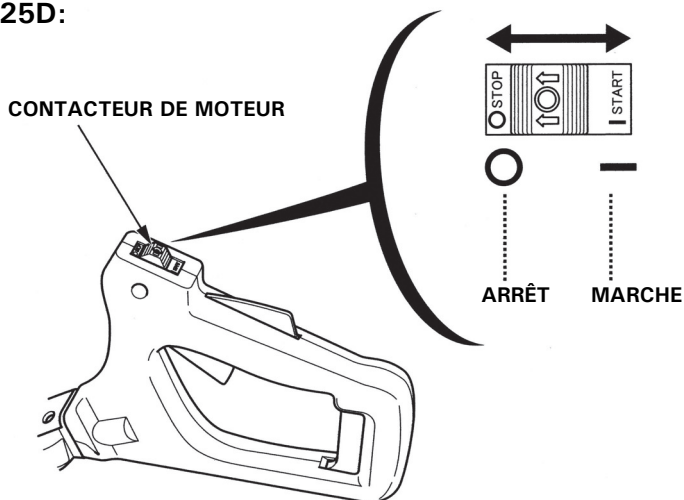
1. Contacteur de moteur

Ce contacteur permet d'allumer et de couper le circuit d'allumage.

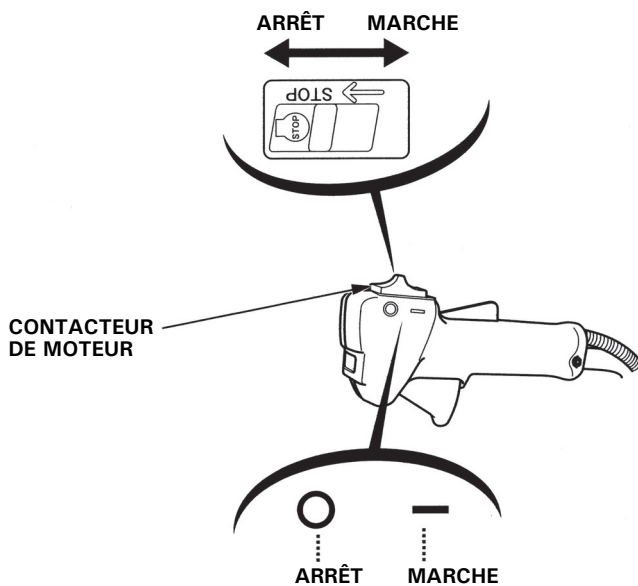
Ce contacteur doit être sur ON (marche) pour mettre le moteur en marche.

Le moteur s'arrête en mettant ce contacteur sur ARRÊT (OFF).

HHH25D:



HHH25S:

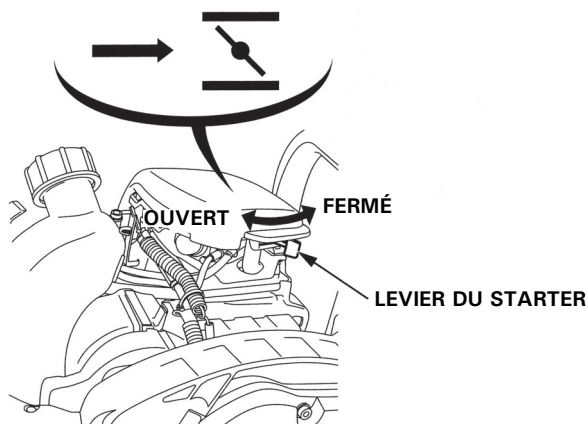


2. Commande du starter

Le levier du starter permet d'ouvrir ou de fermer le tiroir d'étranglement dans le carburateur.

La position FERME (CLOSED) enrichit le mélange de carburant pour le démarrage d'un moteur froid.

La position OUVERT (OPEN) est destinée à donner le mélange approprié pour le fonctionnement du moteur après le démarrage et pour démarrer le moteur à chaud.



3. Lanceur

Tirez la poignée de lancement pour amorcer le moteur.



4. Manette d'accélérateur

La manette d'accélérateur permet de contrôler le régime moteur.

Tirez ou relâchez la manette d'accélérateur comme indiqué ci-dessous pour accélérer ou réduire le régime du moteur.

REMARQUE:

Il faut appuyer sur la commande de verrouillage avant de pouvoir activer la manette d'accélérateur.

En tirant petit à petit la manette d'accélérateur, le régime moteur augmente et le mouvement de la lame de coupe commence.

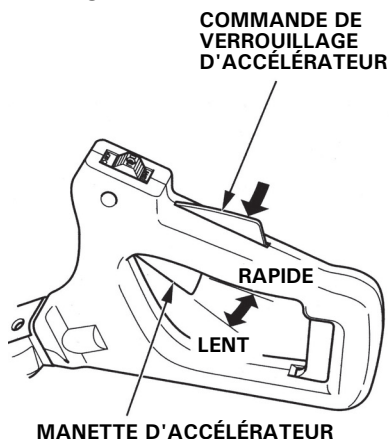
En tirant plus, le régime moteur accélère ainsi que la vitesse de fonctionnement.

En relâchant la manette d'accélérateur, le régime moteur ralentit et la lame de coupe continue de fonctionner pendant un moment, par inertie, avant de s'arrêter.

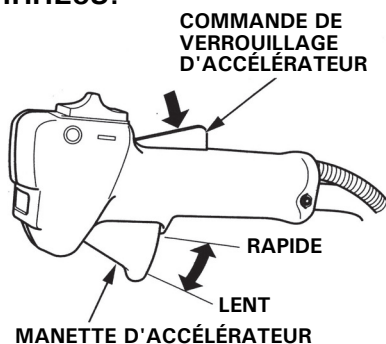
Commande de verrouillage d'accélérateur:

La commande de verrouillage d'accélérateur a pour fonction d'activer la manette d'accélérateur. La manette d'accélérateur ne peut être activée qu'après avoir appuyé sur la commande de verrouillage d'accélérateur.

HHH25D:



HHH25S:



5. CONTRÔLES AVANT L'UTILISATION

Pour tailler en toute sécurité et efficacement, effectuez toujours les contrôles préliminaires suivants, avant utilisation:

⚠ ATTENTION

Avant ces contrôles préliminaires, placez le taille-haie à plat, arrêtez le moteur et tournez le contacteur du moteur sur ARRET (OFF) pour éviter tout démarrage intempestif.

1. Vérifiez le niveau de l'huile moteur

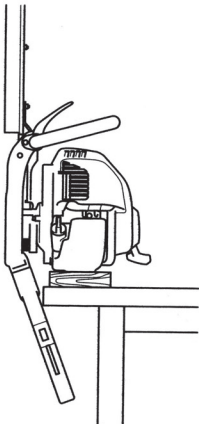
PRÉCAUTION:

Faire tourner le moteur avec un niveau d'huile insuffisant peut sérieusement endommager ce dernier.

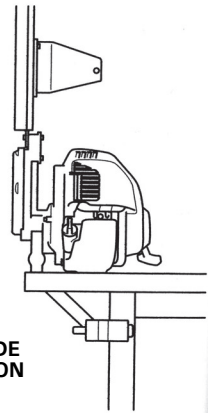
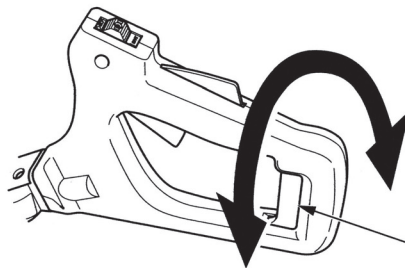
1. Installez la protection de la lame de coupe, placez le taille-haie verticalement sur une table et maintenez la lame de coupe.

HHH25D: Prenez le levier de rotation et faites tourner la poignée arrière dans le sens des aiguilles d'une montre de 90° ou dans le sens inverse des aiguilles d'une montre. Placez le taille-haie sur une surface de niveau et enlevez le bouchon de remplissage d'huile.

HHH25D:



HHH25S:



2. Vérification du niveau d'huile:

L'huile doit atteindre le rebord du goulot de remplissage d'huile. Vérifiez également si l'huile moteur n'est pas contaminée ou détériorée.

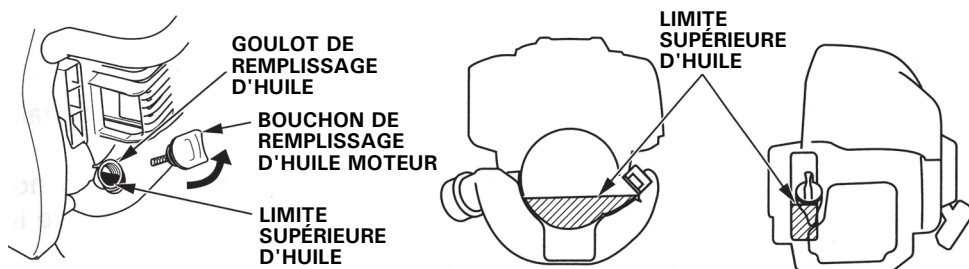
3. Si le niveau est bas, faites l'appoint d'huile recommandée jusqu'en haut du goulot de remplissage d'huile (voir page 26).

Si l'huile est contaminée ou détériorée, remplacez-la (voir page 53).

4. Serrez le bouchon de remplissage d'huile.

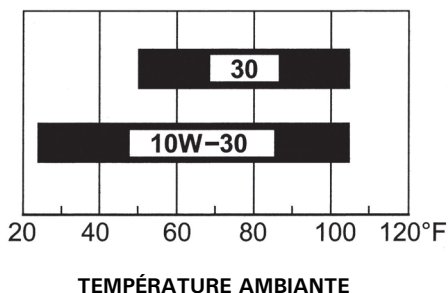
Vérifiez le niveau d'huile moteur toutes les 10 heures de service et faites l'appoint jusqu'au goulot de remplissage d'huile si le moteur tourne pendant plus de 10 heures de façon continue.

CONTENANCE EN HUILE MOTEUR: 0,08 l



Utilisez une huile moteur 4 temps répondant ou dépassant les prescriptions pour la classification service API SE ou ultérieure (ou équivalente). Vérifiez toujours l'étiquette de service API sur le bidon d'huile pour s'assurer qu'elle porte bien la mention SE ou ultérieure (ou équivalente).

Une huile SAE 10W-30 est recommandée pour un usage courant. Les autres viscosités indiquées dans le tableau peuvent être utilisées lorsque la température moyenne du lieu d'utilisation se trouve dans la plage indiquée.



PRÉCAUTION:

L'utilisation d'huile moteur non-détergente ou 2 temps peut raccourcir la durée de vie du moteur.

2. Vérifier le niveau d'essence

Utilisez de l'essence automobile sans plomb ayant un indice d'octane recherche d'au moins 91 (ou un indice d'octane pompe d'au moins 86). N'utilisez jamais de l'essence viciée ou contaminée ou un mélange d'huile/essence. Empêchez la pénétration de saleté ou d'eau dans le réservoir de carburant.

▲ ATTENTION

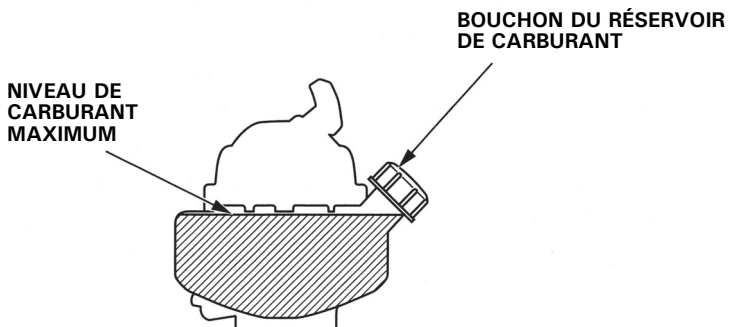
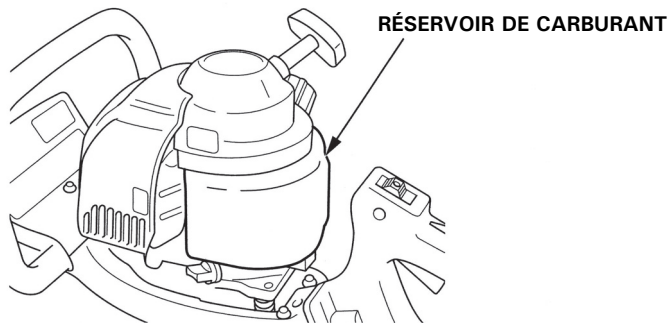
- L'essence est une substance extrêmement inflammable qui peut exploser dans certaines conditions.
- Faites le plein dans un endroit bien aéré avec le moteur arrêté. Ne fumez pas. Empêchez toute présence de flamme ou d'étincelle dans la zone de stockage de l'essence ou de remplissage du moteur.
- Ne remplissez pas trop le réservoir de carburant (il ne doit pas y avoir de carburant dans le goulot de remplissage). Après avoir refait le plein, vérifiez le serrage du bouchon du réservoir.
- Ne renversez pas de carburant en faisant le plein. Du carburant renversé ou des vapeurs de carburant peuvent s'enflammer. Si du carburant a été renversé, assurez-vous que la zone est sèche avant de mettre le moteur en marche.
- Évitez le contact direct du carburant sur la peau et l'inhalation des vapeurs. **NE LAISSEZ PAS À LA PORTÉE DES ENFANTS.**

PRÉCAUTION:

Les substituts d'essence ne sont pas recommandés; ils peuvent être nuisibles aux composants du circuit d'alimentation.

Faites le plein dans un endroit bien aéré avec le moteur arrêté. Si le moteur a tourné, laissez-le refroidir. Ne faites jamais le plein à l'intérieur d'un bâtiment dans lequel les vapeurs peuvent atteindre des flammes ou des étincelles.

1. Placez le taille-haie horizontalement, puis vérifiez à l'extérieur du réservoir si le carburant atteint le niveau supérieur.
2. Si le niveau de carburant est bas, faites le plein jusqu'au niveau spécifié. Retirez le bouchon du réservoir de carburant petit à petit pour éliminer la pression d'air présente dans le réservoir. Le carburant peut gicler si le bouchon est retiré trop rapidement.



REMARQUE:

L'essence se dégrade très rapidement sous l'effet de facteurs tels que l'exposition à la lumière, la température et le temps.

Au pire des cas, l'essence peut être contaminée en moins de 30 jours. L'utilisation d'essence contaminée peut endommager sérieusement le moteur (obstruction du carburateur, grippage des soupapes).

Les dommages dus au carburant dégradé ne sont pas couverts par la garantie.

Pour éviter ceci, observez rigoureusement ces recommandations:

- Utilisez uniquement l'essence spécifiée (voir page 27).
- Utilisez de l'essence fraîche et propre.
- Pour ralentir la dégradation, conservez l'essence dans un récipient de carburant certifié.
- Avant un long remisage (plus de 30 jours), vidangez le réservoir de carburant et le carburateur (voir page 69).

Essence contenant de l'alcool

Pour utiliser une essence contenant de l'alcool (essence-alcool), assurez-vous que son indice d'octane est au moins égal à l'indice recommandé par Honda.

Il existe deux types d'essence-alcool: le premier contient de l'éthanol, le second du méthanol.

Ne pas utiliser une essence-alcool contenant plus de 10% d'éthanol. N'utilisez pas d'essence contenant plus de 5% de méthanol (alcool méthylique ou alcool de bois) ou une essence contenant du méthanol, à moins qu'elle ne contienne également des cosolvants et des inhibiteurs de corrosion pour méthanol.

REMARQUE:

- Les dommages du circuit d'alimentation en carburant ou les problèmes de performances du moteur résultant de l'utilisation d'une essence contenant plus d'alcool que ce qui est recommandé ne sont pas couverts par la garantie.
- Avant de se ravitailler dans une station-service, essayez de savoir si l'essence contient de l'alcool, quel est le type d'alcool utilisé et dans quel pourcentage.

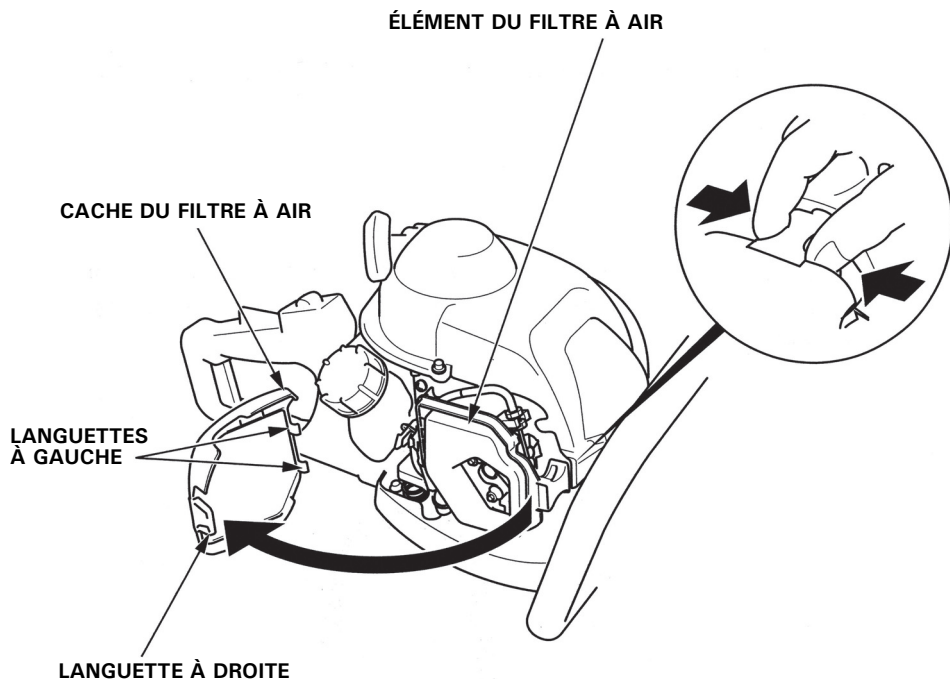
Si le fonctionnement est anormal en utilisant une essence particulière, revenir à une essence contenant moins d'alcool que la quantité recommandée.

3. Vérifier les éléments du filtre à air

PRÉCAUTION:

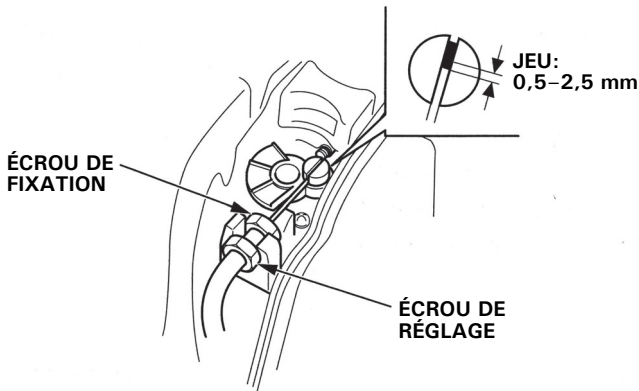
Ne faites jamais tourner le moteur sans filtre à air. Cela aurait pour effet d'user plus rapidement le moteur.

1. Déplacez le levier de starter en position FERME (CLOSED) (voir page 23).
2. Déposez le couvercle de filtre à air en décrochant la languette supérieure au-dessus du couvercle de filtre à air et ses deux languettes inférieures.
3. Recherchez la présence de saleté ou de colmatage sur l'élément de filtre à air.
Nettoyez l'élément de filtre à air s'il est sale (voir page 56).
4. Réinstallez les éléments du filtre à air.
5. Reposez le couvercle de filtre à air en introduisant les languettes à gauche, puis la languette à droite.



4. Vérifier le jeu du câble de commande des gaz

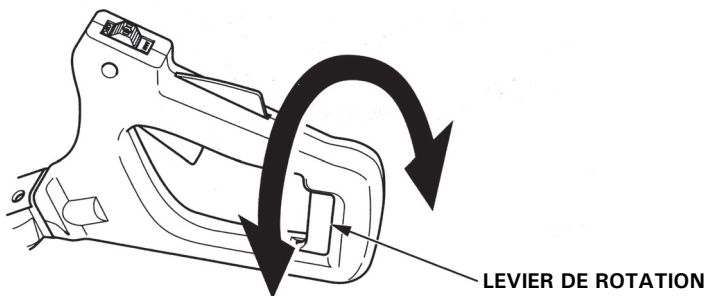
- Vérifiez le jeu du câble d'accélérateur à l'extrémité du câble en tirant, puis en relâchant la manette d'accélérateur plusieurs fois. Il doit correspondre à 0,5-2,5 mm à l'extrémité du câble d'accélérateur.



- Vérifiez le bon fonctionnement de la manette d'accélérateur et s'assurer qu'elle revient toujours en arrière, sur la position de ralenti du moteur.

5. Vérifier la poignée arrière (HHH25D)

- Vérifiez le bon fonctionnement de la poignée arrière en serrant le levier de rotation.
- Assurez-vous que le levier de rotation est verrouillé en position centrale, gauche et droite quand le levier est relâché.



6. Contrôle de la lame de coupe

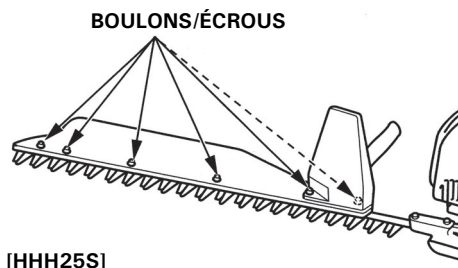
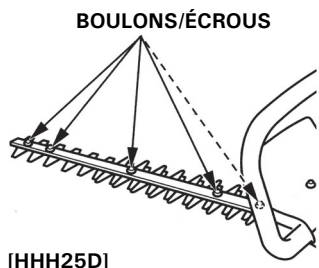
⚠ ATTENTION

Pour des questions de sécurité, vérifiez si la lame n'est pas usée ou endommagée et contrôlez le serrage des écrous et des boulons avant de mettre le moteur en marche. L'utilisation du taille-haie lorsque la lame de coupe est usée, fissurée ou détériorée peut entraîner un risque de blessures ou de détérioration matérielle. Une lame de coupe usée, fissurée ou détériorée peut se casser et des morceaux de la lame peuvent être projetés et heurter l'utilisateur ou des personnes à proximité et causer des blessures graves et même la mort.

PRÉCAUTION:

Portez des gants épais pour protéger vos mains avant de remplacer la lame de coupe.

1. Arrêtez le moteur en plaçant le contacteur du moteur en position ARRET (OFF).
2. Mettez des gants épais pour retirer la protection de la lame de coupe.
3. Vérifiez le serrage des boulons et des écrous. Serrez les boulons et les écrous s'ils sont desserrés. Si vous ne pouvez pas le faire correctement, consultez un concessionnaire Honda agréé.



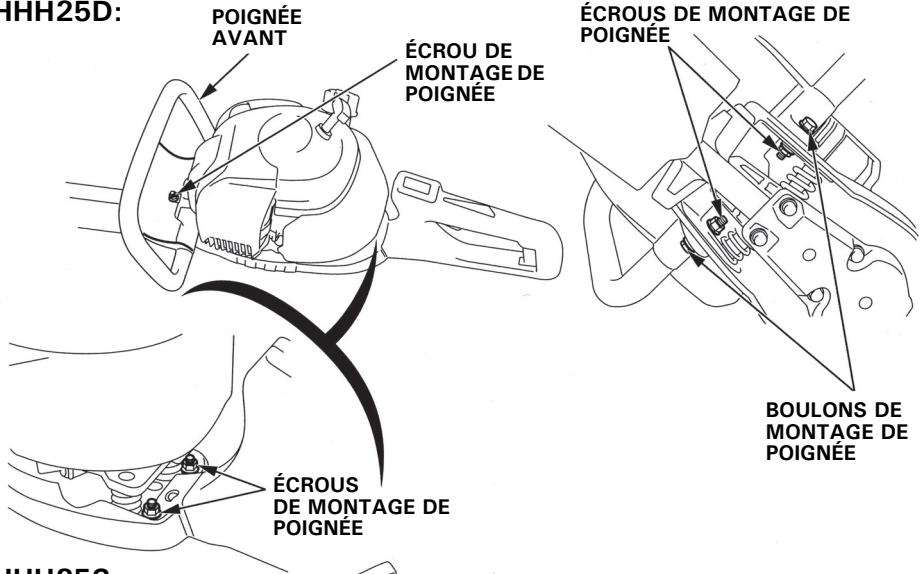
4. N'utilisez en aucun cas la lame de coupe si elle est endommagée, fissurée, pliée, décolorée par la chaleur et très usée. En cas de problème, consultez un concessionnaire Honda agréé.



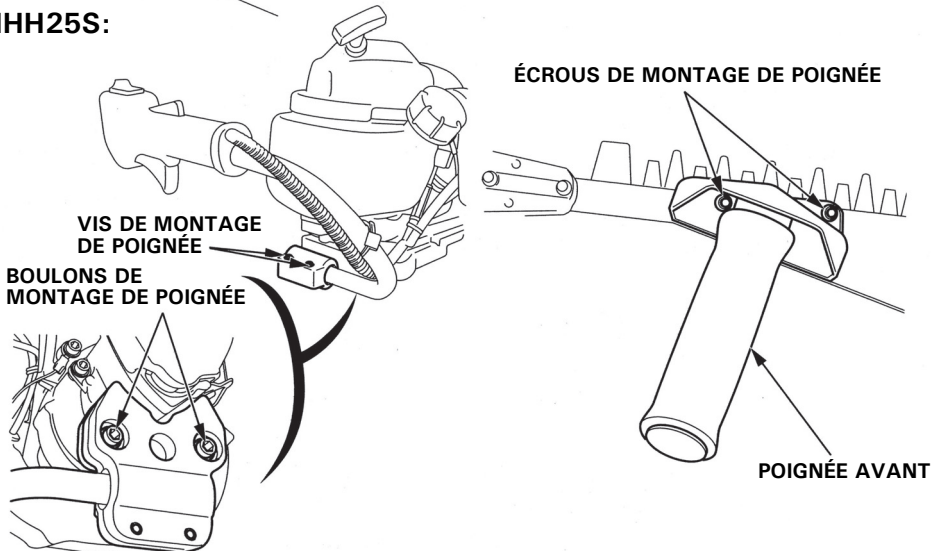
7. Vérifier tous les boulons et écrous

1. Vérifiez le serrage de chaque boulon et de chaque écrou. Les resserrer si nécessaire.
2. Vérifiez si les boulons ou vis de fixation de la poignée ne sont pas desserrés. Les resserrer si nécessaire.

HHH25D:



HHH25S:



6. DÉMARRAGE DU MOTEUR

⚠ ATTENTION

- Les gaz d'échappement contiennent du monoxyde de carbone toxique. Ne jamais faire tourner le moteur dans un endroit clos. Assurez-vous que l'aération est adéquate.
- Mettez le moteur en marche en l'éloignant suffisamment des personnes, animaux ou constructions à proximité. Aucun obstacle ne doit être présent.

PRÉCAUTION:

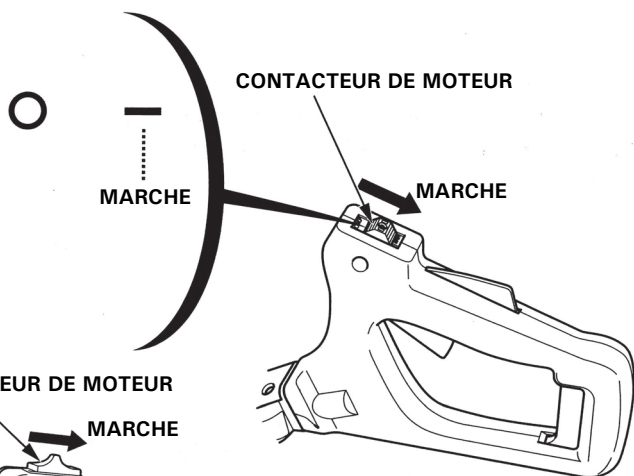
Ne faites pas démarrer le moteur si le taille-haie est au sol. Le taille-haie peut vibrer brusquement et provoquer des blessures aux jambes, etc.

REMARQUE :

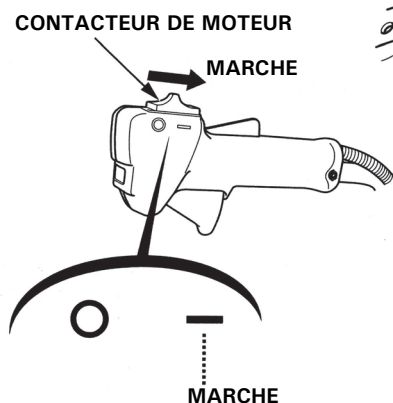
Placez le taille-haie dans un endroit sans obstacles et veillez à ce que la lame de coupe ne soit pas en contact avec le sol ou un objet quelconque.

1. Retirez la protection de la lame de coupe du taille-haie.
2. Tournez le contacteur du moteur en position MARCHE (ON).

HHH25D:

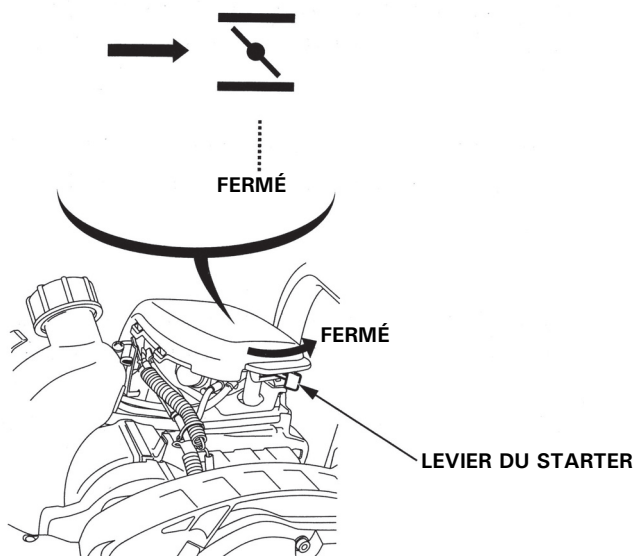


HHH25S:

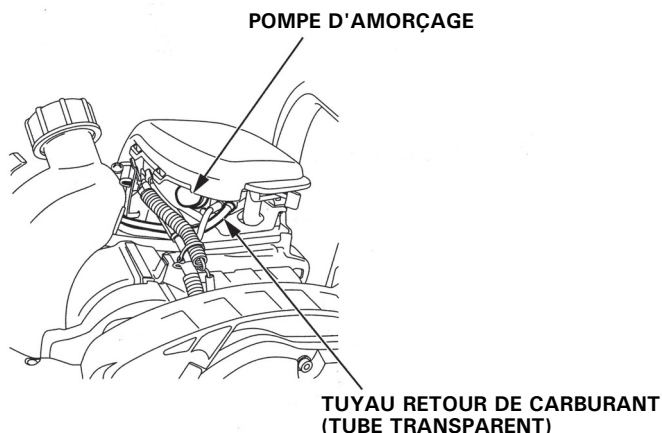


3. Pour un démarrage à froid, déplacez le levier du starter en position FERMÉ (CLOSED).

Pour remettre le moteur marche, quand il est chaud, laissez la commande de starter sur la position OUVERT (OPEN).



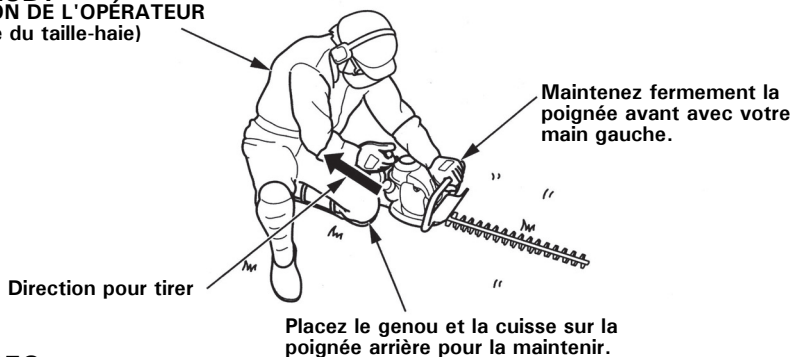
4. Actionnez la pompe d'amorçage à plusieurs reprises jusqu'à ce que le passage du carburant dans le tuyau retour du carburant (tuyau transparent) soit visible.



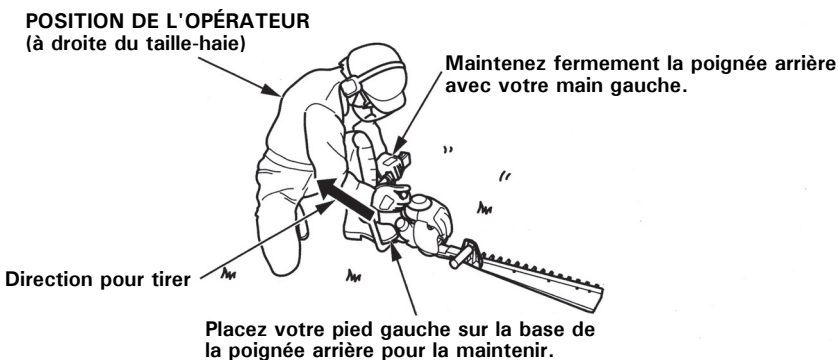
5. Tirez doucement la poignée de lancement jusqu'à ce qu'une résistance soit ressentie, puis tirez d'un coup sec dans le sens de la flèche comme sur la figure ci-dessous. Ramenez doucement la poignée de lancement en arrière.

Avant de tirer la poignée de lancement, éloignez toutes personnes et animaux du taille-haie, tout particulièrement derrière vous.

HHH25D:
POSITION DE L'OPÉRATEUR
(à droite du taille-haie)



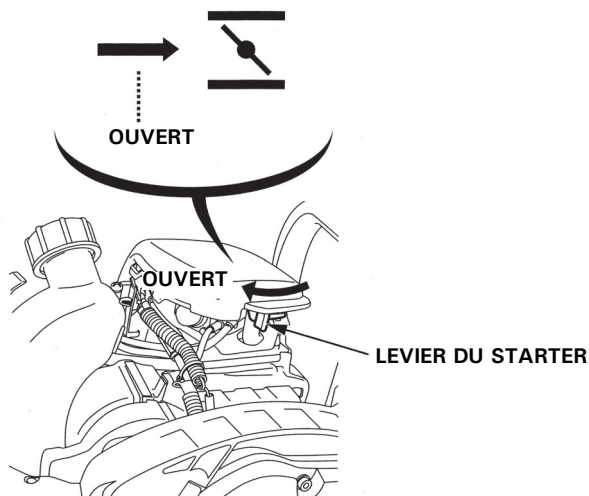
HHH25S:



PRÉCAUTION:

- Tirez fermement la poignée de lancement. Quand le régime moteur augmente au démarrage, l'étincelle d'allumage atteint le moteur. Le moteur ne pourra vraisemblablement pas tourner si le régime moteur est trop lent.
- Pour éviter que la poignée ne touche les pièces connexes, ne relâchez pas la poignée de lancement au point où elle a été totalement tirée.
- Quand le moteur tourne, il ne faut en aucun cas tirer la poignée de lancement.
- N'actionnez pas la manette d'accélérateur en tirant sur la poignée de lancement. La lame de coupe pourrait se mettre brusquement en marche, ce qui présente un danger.

6. Si le levier de starter a été déplacé en position FERME (CLOSED) pour mettre le moteur en marche, déplacez-le progressivement vers la position OUVERT (OPEN) dès que le moteur chauffe.



Démarrage à chaud

Si le moteur fonctionne à température ambiante élevée, arrêtez-le pendant une courte période. Il est possible qu'il ne redémarre pas du premier coup.

Si nécessaire, utilisez la procédure suivante:

PRÉCAUTIONS IMPORTANTES EN MATIÈRE DE SÉCURITÉ

Placez le contacteur du moteur en position ARRET (OFF) avant d'effectuer ce qui suit. Cela empêchera le moteur de démarrer et de tourner à la vitesse maximale quand l'ouverture du papillon est au maximum. Si le moteur démarre avec l'ouverture du papillon au maximum, la lame de coupe fonctionne à la vitesse maximale. Ceci peut provoquer des blessures graves.

1. Tournez le contacteur du moteur en position ARRET (OFF).
2. Déplacez le levier de starter en position OUVERT (OPEN).
3. Maintenez le levier d'accélérateur avec l'ouverture du papillon au maximum (position RAPIDE (FAST)).
4. Tirez la poignée de lancement 3 à 5 fois.
5. Suivez la procédure DÉMARRAGE DU MOTEUR, page 34 et faites démarrer le moteur avec le levier du starter en position OUVERT (OPEN).

Modification du carburateur pour une utilisation à haute altitude

À haute altitude, le mélange air-carburant standard du carburateur s'enrichit excessivement. Les performances diminuent alors et la consommation de carburant augmente. Un mélange très riche encrasse également la bougie et rend le démarrage difficile. Une utilisation prolongée à des altitudes différentes de celles pour lesquelles ce moteur a été certifié peut entraîner une augmentation des émissions polluantes.

Il est possible d'améliorer les performances en haute altitude en effectuant certaines modifications sur le carburateur. Si le taille-haie est toujours utilisé à des altitudes supérieures à 1500 mètres, demandez à un concessionnaire Honda agréé d'effectuer ces modifications sur le carburateur. Le moteur satisfera aux normes antipollution pendant toute sa durée de service si les modifications du carburateur pour une utilisation en haute altitude ont été effectuées.

Même après modification, la puissance du moteur diminuera d'environ 3,5% pour chaque palier de 300 mètres d'altitude. Si le carburateur n'est pas modifié, l'effet de l'altitude sur la puissance sera encore plus important.

PRÉCAUTION:

Lorsque le carburateur a été modifié pour une utilisation à haute altitude, le mélange air-carburant est trop pauvre pour une utilisation à basse altitude. L'utilisation à des altitudes inférieures à 1500 mètres avec un carburateur modifié peut provoquer une surchauffe du moteur et entraîner d'importants dommages du moteur. Pour une utilisation à basse altitude, demandez au concessionnaire de remettre le carburateur aux spécifications standards.

Lisez ce manuel de façon à bien comprendre le fonctionnement, pages 5 à 14, avant de mettre le taille-haie en service.

En cas de bruits, odeurs, vibrations ou autres signes inhabituels anormaux, arrêtez le moteur immédiatement et consultez votre concessionnaire Honda agréé.

Prenez les poignées à deux mains.

HHH25D: Utilisez une main pour la poignée avant et l'autre pour la poignée arrière (accélération).

HHH25S: Utilisez la main droite pour la poignée avant et la main gauche pour la poignée arrière (accélération).

PRÉCAUTION:

N'utilisez pas le taille-haie avec une seule main.

▲ ATTENTION

N'utilisez pas le taille-haie si la lame de coupe risque d'atteindre vos pieds pendant le fonctionnement. La lame de coupe pourrait blesser vos pieds.

REMARQUE :

Ce taille-haie est conçu pour tailler les haies, c'est à dire les branches de moins de 8 mm de diamètre. N'utilisez pas le taille-haie pour les branches plus grosses, ni pour couper du matériel dur à l'exception du bois. La lame de coupe risque de se casser, ainsi que les pièces mobiles du carter d'engrenages. La durée de vie du taille-haie pourrait donc être limitée.

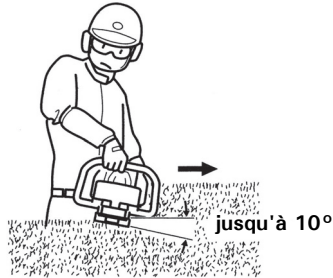
Utilisation normale:

- Utilisez le taille-haie avec précaution et avec un mouvement continu pour que l'échappement se répartisse sur la haie.
- En prenant la manette d'accélérateur quand le moteur tourne, le régime moteur augmente et la lame de coupe commence à fonctionner. Réglez le régime moteur en fonction de la taille de la haie.

PRÉCAUTION:

Augmentez le régime moteur dès la mise en marche du taille-haie. Un régime moteur trop bas pourrait endommager le moteur du taille-haie.

- Pour la partie supérieure de la haie, déplacez la lame de coupe de la droite vers la gauche de façon répétée.
- Pour tailler correctement la haie, inclinez légèrement le taille-haie vers le bas (jusqu'à 10°).



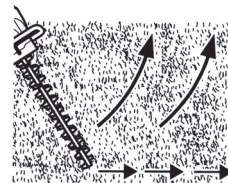
- Utilisez le taille-haie avec la lame de coupe vers l'extérieur.

PRÉCAUTION:

N'orientez pas la lame vers vous pendant le fonctionnement et éloignez-vous de celle-ci.



- Pour tailler le côté d'une haie, déplacez la lame de coupe du bas vers le haut.



HHH25S:

- Pendant l'opération, laissez les branches et les feuilles taillées sur la plaque pour herbe.



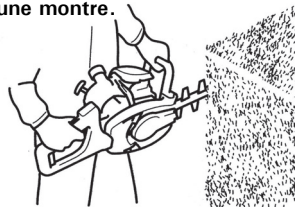
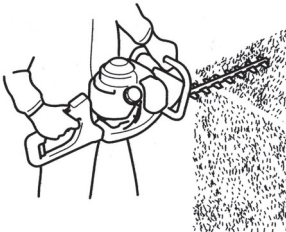
HHH25D:

- La poignée arrière peut être tournée dans trois positions (position CENTRALE, sens des aiguilles d'une montre 90° et sens inverse des aiguilles d'une montre).
- Partie supérieure: Tournez la poignée arrière en position CENTRALE pour tailler la partie supérieure d'une haie.
- Côté: Quand vous utilisez la lame de coupe sur la gauche de votre corps, tournez la poignée arrière de 90° dans le sens inverse des aiguilles d'une montre. Quand vous utilisez le côté droit de votre corps, tournez la poignée arrière de 90° dans le sens des aiguilles d'une montre (voir page 42).

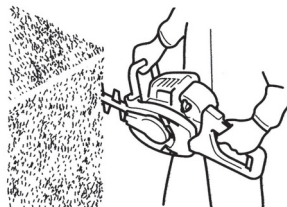
Quand vous taillez le côté d'une haie, orientez la lame de coupe face à la haie et le moteur face à votre corps.

Tournez la poignée arrière de 90° dans le sens des aiguilles d'une montre.

Position CENTRALE

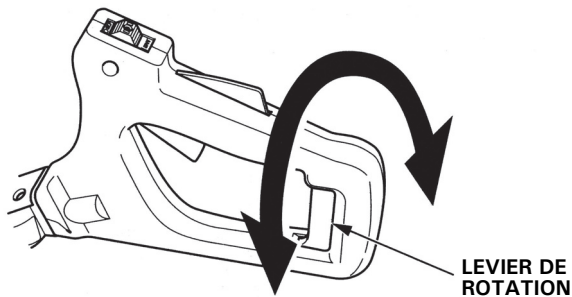


Tournez la poignée arrière de 90° dans le sens inverse des aiguilles d'une montre.



Tourner la poignée arrière (HHH25D)

1. Le moteur doit être arrêté pour tourner la poignée arrière.
 2. Pour tourner la poignée arrière, relâchez la manette d'accélérateur et la commande de verrouillage d'accélérateur, prenez le levier de rotation et tournez la poignée dans le sens des aiguilles d'une montre ou dans le sens inverse
 3. Avant l'opération, tournez la poignée arrière jusqu'à l'enclenchement. Assurez-vous que le levier de rotation retourne en arrière.
- N'utilisez pas la manette d'accélérateur, la commande de verrouillage d'accélérateur et le levier de rotation en même temps. Le non respect de cette consigne peut provoquer une panne.



- N'effectuez pas d'efforts brusques.
- Assurez-vous que la lame de coupe ne dépasse jamais le niveau des genoux.
- Pendant le fonctionnement, éloignez toutes les parties du corps de la lame de coupe et des surfaces chaudes.

8. ARRÊT DU MOTEUR

1. Relâchez la manette d'accélérateur et la commande de verrouillage d'accélérateur.
2. Tournez le contacteur du moteur en position OFF (arrêt).
Vérifiez si la lame de coupe est bien arrêtée.
3. Avant de mettre le taille-haie au sol, assurez-vous que le moteur et la lame de coupe sont arrêtés.

PRÉCAUTION:

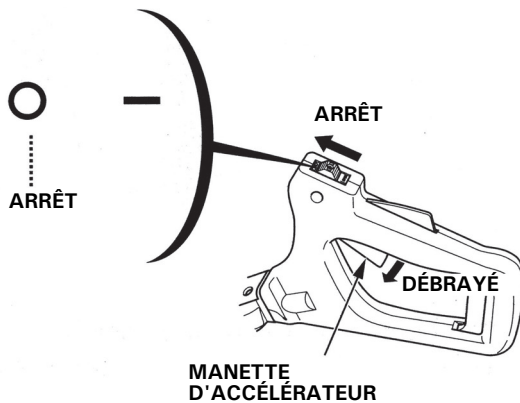
Même après des arrêts forcés, la lame de coupe fonctionne pendant quelques secondes par inertie.

4. Une fois terminé, installez la protection de la lame de coupe sur la lame de coupe.

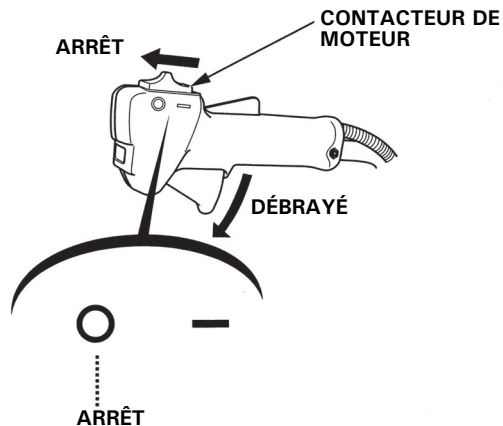
PRÉCAUTION:

Notez que l'accessoire de coupe continue à fonctionner par inertie même après l'arrêt du moteur.

HHH25D:



HHH25S:



9. ENTRETIEN

▲ ATTENTION

- **Avant de faire un entretien, placez le taille-haie à plat, arrêtez le moteur et tournez le contacteur du moteur sur ARRET (OFF) pour éviter un démarrage accidentel du moteur.**
- **L'entretien du taille-haie devra être effectué par un concessionnaire Honda agréé à moins que le propriétaire ne possède les outils appropriés et les instructions pour l'entretien et que ses qualifications dans le domaine mécanique le lui permettent.**

PRÉCAUTION:

Utilisez des pièces Honda d'origine ou leur équivalent pour l'entretien et la réparation. Des pièces de rechange de qualité non équivalente peuvent endommager le taille-haie.

Un contrôle et un réglage périodiques des Honda HHH25D/HHH25S sont essentiels pour maintenir un haut niveau de performances. Un entretien régulier contribuera également à prolonger la durée de service. Les intervalles d'entretien requis et le type d'entretien à exécuter sont décrits dans le tableau de la page suivante 45.

Pour plus d'efficacité et une prolongation de la durée de vie, éliminez les branches, feuilles, etc. sur la lame de coupe après chaque utilisation.

Programme d'entretien

PÉRIODE D'ENTRETIEN RÉGULIER (3) À réaliser à chaque mois indiqué ou intervalle horaire de fonctionnement, selon la première occurrence.		Chaque utilisa- tion	Premier mois ou toutes les 10 heures	Tous les 3 mois ou toutes les 25	Tous les 6 mois ou toutes les 50 heures	Chaque année ou toutes les 100 heures	Tous les 2 ans ou toutes les 300	Voir page
ÉLÉMENT								
Huile moteur	Vérifier le niveau	o						25
	Changer		o		o			47
Filtre à air	Vérifier	o						30
	Nettoyer			o(1)				49
Bougie	Vérifier-Régler					o		50
	Remplacer						o	50
Câble d'accélérateur	Vérifier	o						31
Manette d'accélérateur	Vérifier	o						31
Poignée arrière (HHH25D)	Vérifier	o						31
Lame de coupe	Vérifier	o						32
Butée de lame	Vérifier	o						32
Ailettes de refroidissement du moteur	Vérifier				o			54
Écrous, boulons, fixations	Vérifier (resserrer, le cas échéant)	o						33
Pare-étincelles (le cas échéant)						o		52
Réservoir de carburant	Nettoyer					o		56
Filtre de carburant	Vérifier					o		55
Tambour et patin d'embrayage	Vérifier				o(2)			—
Carter d'engrenages	Graisse	Tous les ans ou toutes les 20 heures (2)						—
Ralenti	Vérifier-Régler		o(2)		o(2)			—
Jeu - robinet	Vérifier-Régler					o(2)		—
Chambre de combustion	Nettoyer	Après chaque 300 heures (2)						—
Tuyaux de carburant	Vérifier	Tous les 2 ans (remplacer si nécessaire) (2)						—
Tuyau d'huile	Vérifier	Tous les 2 ans (remplacer si nécessaire) (2)						—

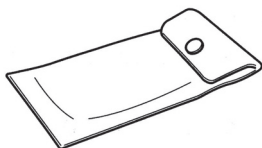
(1) En cas d'utilisation dans des endroits poussiéreux, augmentez la fréquence d'entretien.

(2) L'entretien de ces points doit être confié à votre concessionnaire.

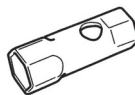
(3) Consignez le nombre d'heures de service pour déterminer la périodicité d'entretien appropriée.

Trousse à outils

Les outils fournis sont nécessaires pour effectuer quelques entretiens périodiques, réglages et interventions simples.



SAC À OUTILS



CLÉ À BOUGIE



CLÉ



TIGE DE CLÉ À BOUGIE



CLÉ HEXAGONALE

1. Remplacement de l'huile moteur

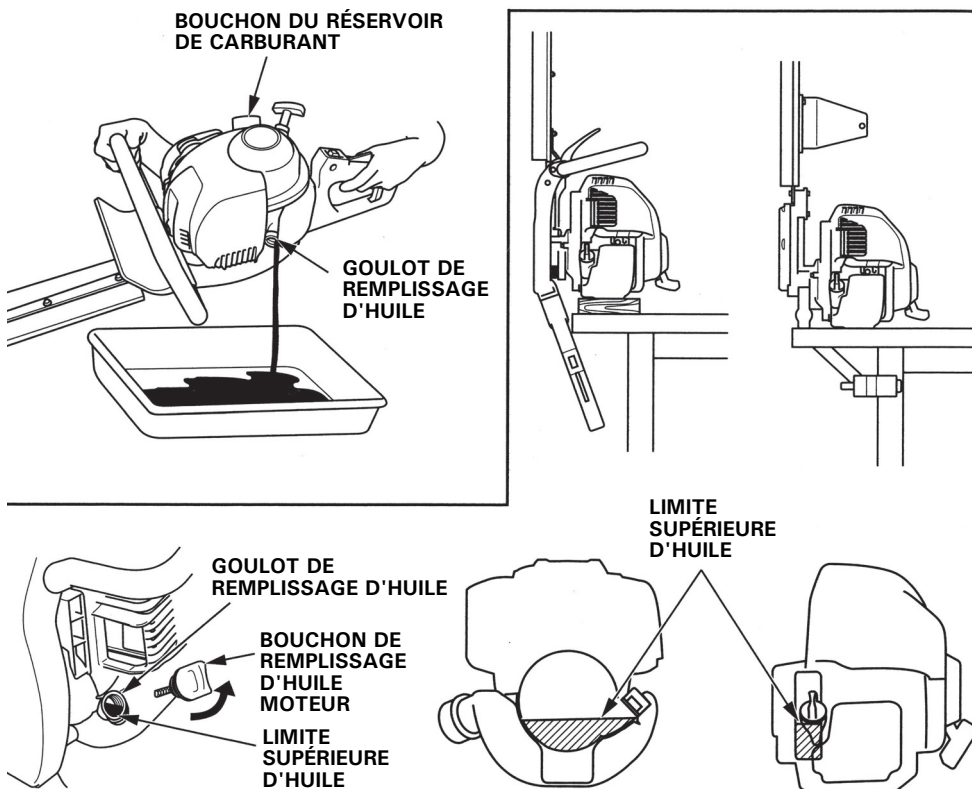
REMARQUE :

Vidangez l'huile alors que le moteur est encore chaud pour que l'évacuation soit rapide et complète.

1. Vérifiez si le bouchon de réservoir de carburant est bien serré.
2. Retirez le bouchon de remplissage d'huile et vidangez l'huile dans un récipient approprié en retournant le taille-haie du côté du goulot de remplissage d'huile.
3. Remplissez avec l'huile recommandée (voir page 26) et vérifiez le niveau d'huile (voir page 25).
4. Serrez le bouchon de remplissage d'huile.

CONTENANCE EN HUILE MOTEUR: 0,08 l

Lavez-vous les mains avec de l'eau et du savon après avoir manipulé de l'huile usagée.



REMARQUE :

Jetez l'huile moteur usée d'une manière compatible avec l'environnement. Nous conseillons de la porter dans un récipient fermé à une station service locale pour son recyclage. Ne la jetez pas aux ordures, ne la déversez pas dans la terre ou dans un égout.

2. Entretien du filtre à air

Si le filtre à air est sale, le passage vers le carburateur sera restreint. Pour éviter tout mauvais fonctionnement du carburateur, nettoyez régulièrement le filtre à air. Le nettoyer plus fréquemment lorsque le taille-haie est utilisé dans des endroits très poussiéreux.

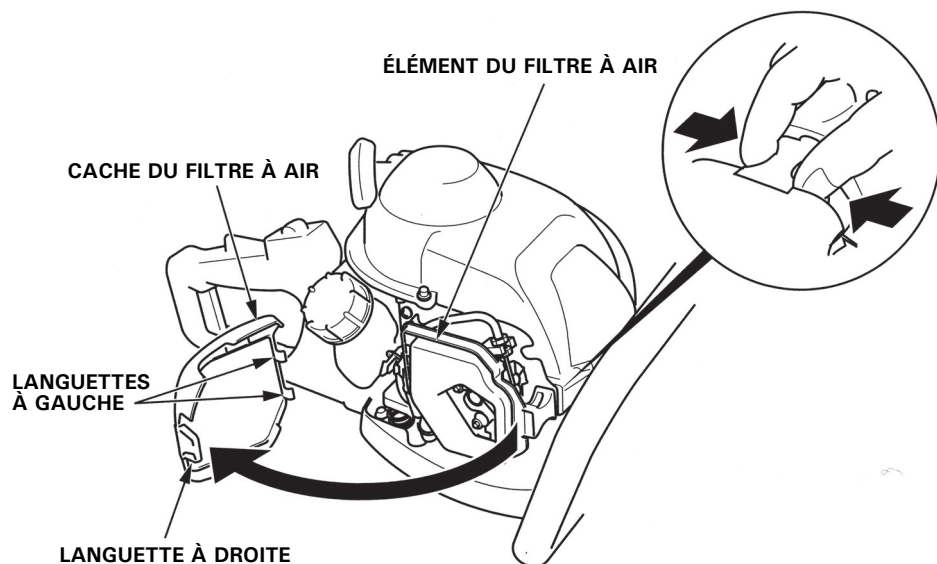
⚠ ATTENTION

N'utilisez jamais d'essence ou de solvants à point d'éclair bas pour le nettoyage de l'élément du filtre à air. Un incendie ou une explosion peut en résulter.

PRÉCAUTION:

Ne faites jamais fonctionner le moteur sans filtre à air. Le non respect de cette consigne entraînerait une usure rapide du moteur.

1. Déplacez le levier de starter en position FERME (CLOSED) (voir page 23).
2. Déposez le couvercle de filtre à air en décrochant la languette supérieure au-dessus du couvercle de filtre à air et ses deux languettes inférieures.
3. Lavez le filtre dans un liquide non-inflammable ou dans du solvant à point d'éclair élevé et séchez-le complètement.
4. Trempez le filtre dans une huile moteur propre et en exprimer l'huile en excès.
5. Réinstallez les éléments du filtre à air.
6. Reposez le couvercle de filtre à air en introduisant les languettes à gauche, puis la languette à droite.



3. Entretien de la bougie

Bougie d'allumage recommandée: CMR5H (NGK)

Pour assurer un bon fonctionnement du moteur, l'écartement des électrodes de la bougie doit être correct et la bougie ne doit pas être encrassée.

⚠ ATTENTION

Si le moteur vient de tourner, le silencieux est très chaud. Ne touchez en aucune cas le silencieux.

PRÉCAUTION:

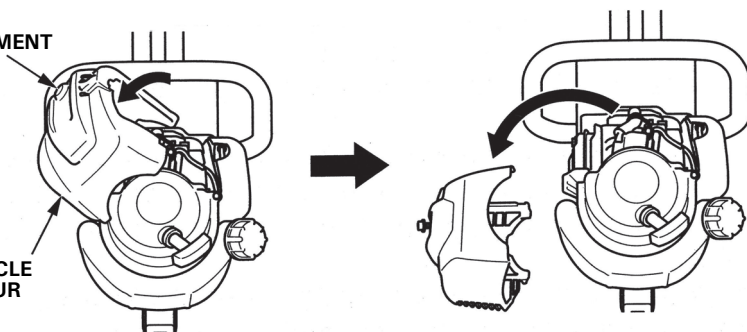
N'utilisez jamais de bougie dont la gamme thermique incorrecte.

1. Desserrez le boulon d'accouplement avec la clé hexagonale.
2. Retirez le couvercle du dessus en le glissant vers la gauche.

Ne tirez pas la poignée de lancement, ni ne démarrez le moteur, sans le couvercle du dessus. Il y a des pièces chaudes et mobiles sous le couvercle.

BOULON
D'ACCOUPEMENT

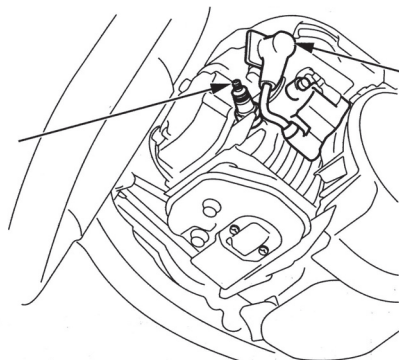
COUVERCLE
SUPÉRIEUR



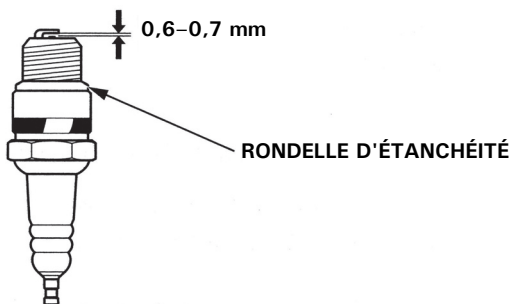
3. Enlevez toute saleté de la partie autour de la bougie.
4. Enlevez le capuchon de la bougie et utilisez la clé à bougie appropriée pour retirer la bougie.

BOUGIE

CAPUCHON DE
BOUGIE



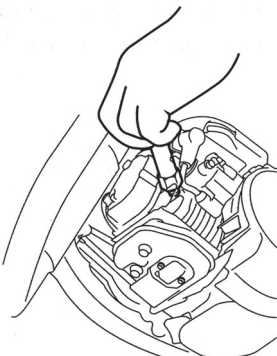
5. Examinez la bougie. La jeter si les électrodes sont usées ou si l'isolant est fendu ou écaillé. En cas de réutilisation, nettoyez les électrodes et l'isolant avec une brosse métallique.
6. Mesurez l'écartement des électrodes avec un calibre d'épaisseur. Si nécessaire, rectifiez en pliant soigneusement l'électrode latérale. L'écartement doit être de:
0,6-0,7 mm



7. Vérifiez l'état de la rondelle d'étanchéité et vissez la bougie à la main pour ne pas risquer de foirer son filetage.
8. Une fois que la bougie est bien positionnée, serrez avec la clé à bougie jusqu'à ce que la rondelle soit écrasée. Si la bougie est neuve, serrez de 1/2 de tour lorsqu'elle vient en butée pour comprimer la rondelle. Si la bougie est neuve, serrez de 1/4 de tour lorsqu'elle vient en butée pour comprimer la rondelle.

PRÉCAUTION:

Serrez la bougie à fond. Une bougie mal vissée peut devenir très chaude et endommager le moteur.



9. Fixez correctement le capuchon de bougie.
10. Installez le couvercle du dessus et serrez à fond le boulon d'accouplement.
Prenez les précautions nécessaires pour ne pas plier la rondelle en installant le couvercle du dessus.

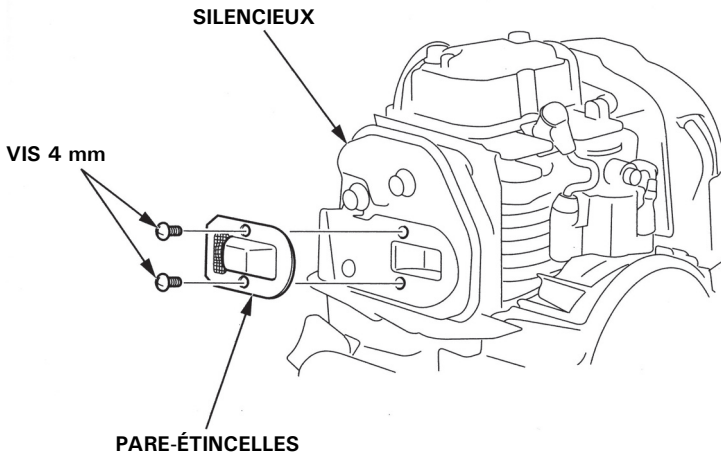
4. Entretien du pare-étincelles (le cas échéant)

⚠ ATTENTION

Si le moteur vient de tourner, le silencieux est très chaud. Ne touchez en aucune cas le silencieux.

Le pare-étincelles doit être entretenu toutes les 100 heures pour maintenir un fonctionnement approprié.

1. Desserrez le boulon d'accouplement avec la clé hexagonale (voir page 50).
2. Retirez le couvercle du dessus en le glissant vers la gauche (voir page 50). Ne tirez pas la poignée de lancement, ni ne démarrez le moteur, sans le couvercle du dessus. Il y a des pièces chaudes et mobiles sous le couvercle.
3. Retirez les vis de 4 mm du pare-étincelles, puis le pare-étincelles du silencieux.



4. Utilisez une brosse pour éliminer les dépôts de carbone de la grille du pare-étincelles.

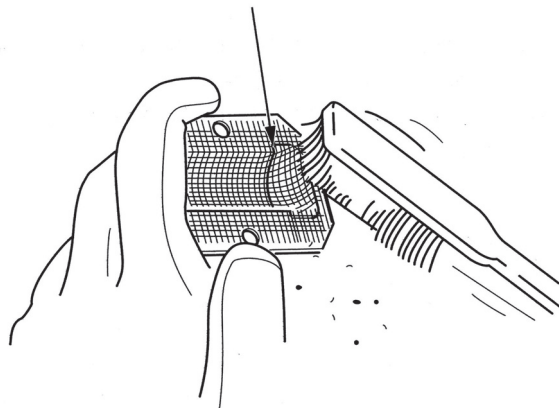
Prenez les précautions nécessaires pour ne pas endommager la grille. Le pare-étincelles ne doit absolument pas être percé ou cassé. S'il est endommagé ou encrassé, demandez à votre concessionnaire Honda de faire un entretien.

5. Installez la batterie en procédant dans l'ordre inverse du démontage.

6. Installez le couvercle supérieur et serrez à fond le boulon d'accouplement.

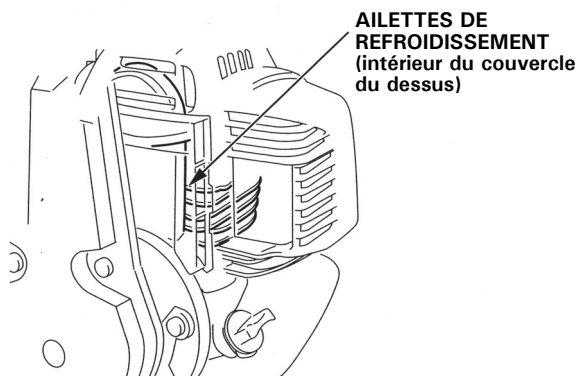
Prenez les précautions nécessaires pour ne pas plier la rondelle en installant le couvercle du dessus.

GRILLE DU PARE-ÉTINCELLES



5. Inspection des ailettes de refroidissement du moteur

Examinez les ailettes de refroidissement par le couvercle du dessus. S'il y a de l'herbe sèche, des feuilles et de la boue collée, consultez un concessionnaire Honda agréé pour les nettoyer.

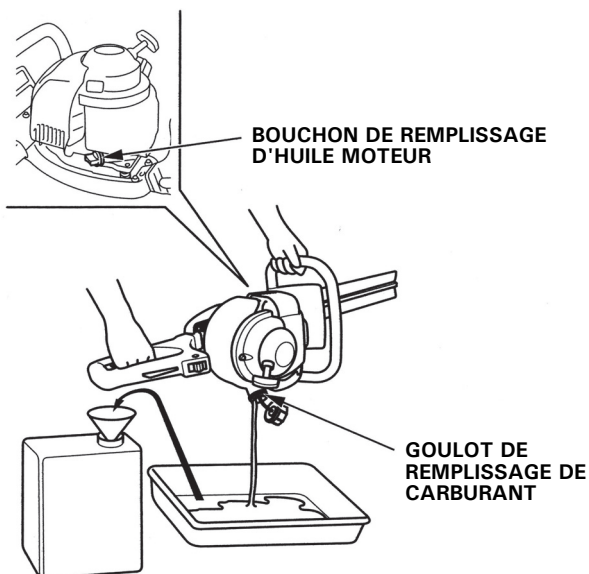


6. Entretien du filtre de carburant

⚠ ATTENTION

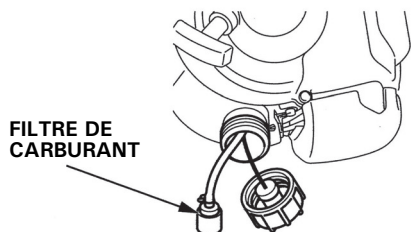
L'essence est une substance extrêmement inflammable qui peut exploser dans certaines conditions. Ne pas fumer ou provoquer des étincelles à proximité.

1. Vérifiez si le bouchon de remplissage d'huile moteur est bien serré.
2. Retirez le bouchon de réservoir de carburant, et vidangez le carburant dans un récipient homologué en basculant la pompe vers le goulot de remplissage de carburant.

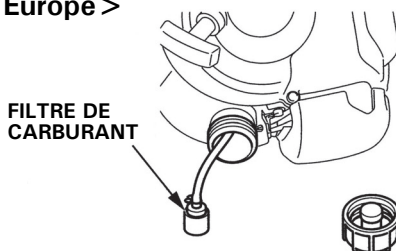


3. Sortez le filtre de carburant en passant un fil de mécanicien à partir du goulot de remplissage de carburant.
4. Vérifiez le niveau de propreté du filtre de carburant. Si le filtre de carburant est sale, lavez-le doucement dans un solvant non inflammable ou à point d'éclair élevé. S'il est très sale, le remplacer.

< Type utilisé en Europe >



< Type utilisé en dehors de l'Europe >



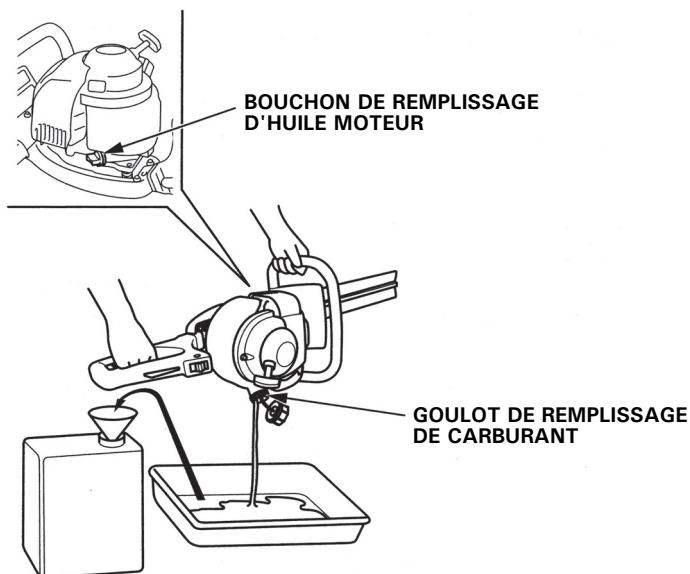
5. Ramenez le filtre de carburant dans le réservoir de carburant, et resserrez à fond le bouchon du réservoir de carburant.

7. Nettoyage du réservoir de carburant

⚠ ATTENTION

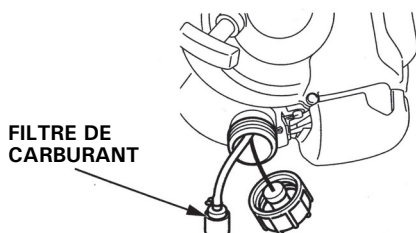
L'essence est une substance extrêmement inflammable qui peut exploser dans certaines conditions. Ne pas fumer ou provoquer des étincelles à proximité.

1. Vérifiez si le bouchon de remplissage d'huile moteur est bien serré.
2. Retirez le bouchon de réservoir de carburant, et vidangez le carburant dans un récipient homologué en basculant la pompe vers le goulot de remplissage de carburant.

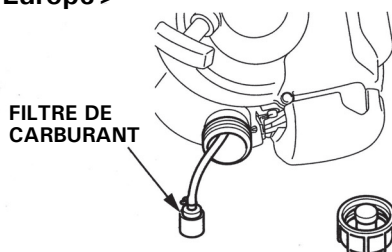


3. Sortez le filtre de carburant en passant un fil de mécanicien à partir du goulot de remplissage de carburant.
4. Retirez l'eau et la saleté dans le réservoir de carburant en rinçant l'intérieur du réservoir avec un solvant non inflammable ou à point d'éclair élevé.

< Type utilisé en Europe >



< Type utilisé en dehors de l'Europe >



5. Ramenez le filtre de carburant dans le réservoir de carburant, et resserrez à fond le bouchon du réservoir de carburant.

Avant de remiser le taille-haie, certaines préparations sont essentielles pour le maintenir en bon état. Les procédures suivantes permettent d'éviter la formation de rouille et la corrosion sur le taille-haie.

PRÉCAUTION:

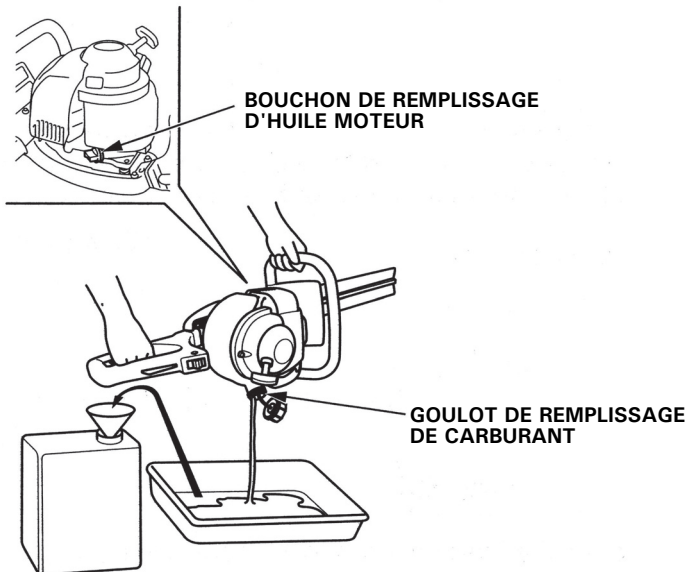
- Immédiatement après avoir utilisé le taille-haie, le moteur est très chaud. Attendez qu'il refroidisse avant de commencer les préparatifs de remisage.
- Placez le taille-haie sur une surface de niveau et enlevez le capuchon de la bougie pour éviter un démarrage intempestif du moteur.

1. Nettoyez toutes les surfaces externes, retouchez à la peinture les parties écaillées et enduisez d'une fine couche d'huile toutes les surfaces susceptibles de rouiller.
2. Vidangez le carburant.

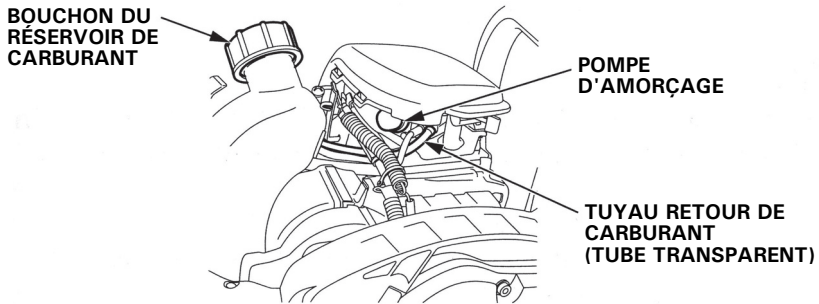
▲ ATTENTION

L'essence est une substance extrêmement inflammable qui peut exploser dans certaines conditions. Ne pas fumer ou provoquer des étincelles à proximité.

- a. Vérifiez si le bouchon de remplissage d'huile moteur est bien serré.
- b. Retirez le bouchon de réservoir de carburant, et vidangez le carburant dans un récipient homologué en basculant le taille-haie vers le goulot de remplissage de carburant.



-
- c. Actionnez la pompe d'amorçage à plusieurs reprises jusqu'à ce que le carburant restant dans le tuyau retour (transparent) soit écoulé dans le réservoir de carburant.



- d. Retournez à nouveau le taille-haie du côté du goulot de remplissage de carburant pour vider tout le carburant restant du réservoir dans un récipient.
- e. Resserrez le bouchon du réservoir de carburant après avoir vidé complètement celui-ci.

3. Changez l'huile moteur (voir page 47).
4. Nettoyez le filtre à air (voir page 49).
5. Desserrez le boulon d'accouplement, puis retirez le couvercle du dessus (voir page 50).
6. Retirez la bougie (voir page 50).
7. Mettez quelques gouttes d'huile moteur propre dans le cylindre.
8. Reposez provisoirement le couvercle supérieur.
9. Tirez la poignée de lancement à plusieurs reprises pour distribuer l'huile dans le cylindre.
10. Déposez le couvercle supérieur, puis reposez la bougie.
11. Reposez le couvercle du dessus et serrez à fond le boulon d'accouplement.
12. Tirez doucement la poignée de lancement jusqu'à ce qu'une résistance soit ressentie.
13. Appliquez de l'huile sur la lame de coupe.
14. Installez le couvercle sur la lame de coupe.
15. Le taille-haie ne doit en aucun cas être à proximité d'enfants. Il faut éviter le contact avec l'humidité et la poussière.
16. Recouvrez le taille-haie pour le protéger contre les poussières.

Si le moteur ne démarre pas:

1. Le contacteur du moteur est-il en position MARCHE (ON)?
2. Le réservoir de carburant contient-il du carburant (voir page 27)?

▲ ATTENTION

L'essence est une substance extrêmement inflammable qui peut exploser dans certaines conditions. Ne pas fumer ou provoquer des étincelles à proximité.

3. L'essence arrive-t-elle au carburateur?
Pour vérifier, appuyez plusieurs fois sur le dispositif de lancement (voir page 35).
4. La bougie est-elle en bon état?
La retirer pour la vérifier. Nettoyez la bougie, réglez l'écartement de ses électrodes et séchez-la. Remplacez-la si nécessaire (voir page 50).
5. Si le moteur ne démarre toujours pas, portez le taille-haie chez un concessionnaire Honda agréé.

En cas de vibrations anormales pendant l'utilisation, coupez immédiatement le moteur et vérifiez si la lame de coupe est bien installée et bien serrée. Recherchez toute trace d'usure, de fissures ou autres détériorations (voir page 32).

12. CARACTÉRISTIQUES

Modèle	HHH25D
Produits Code de description	UTBJ

Cadre

Type	60ET, 60UT	75ET, 75UT
Type de lame	Lame double	
Longueur globale	1 080 mm	1 220 mm
Largeur globale	312 mm	
Hauteur globale	259 mm	
Masse sèche [poids]	6,3 kg	6,6 kg
Type d'embrayage	Embrayage centrifuge	
Longueur de lame	580 mm	720 mm

Bruit et vibrations

Type	60ET	60UT	75ET	75UT
Niveau de pression sonore aux oreilles de l'opérateur EN774: 1996/A3: 2001	92 dB (A)	—	90 dB (A)	—
Incertitude	3 dB (A)	—	2 dB (A)	—
Niveau de puissance sonore mesurée (2000/14/CE, 2005/88/CE)	101 dB (A)	—	102 dB (A)	—
Incertitude	3 dB (A)	—	2 dB (A)	—
Niveau de puissance sonore garanti (2000/14/CE, 2005/88/CE)	104 dB (A)	—	104 dB (A)	—
Niveau de pression sonore Normes Australie et Nouvelle-Galles du Sud	—	82 dB (A)	—	82 dB (A)
Niveau de vibration main-bras (EN774: 1996/A3: 2001)	Fr.	5,2 m/s ²		5,2 m/s ²
	Rr.	6,9 m/s ²		6,9 m/s ²
Incertitude (EN12096: 1997 Annexe D)	Fr.	2,1 m/s ²		2,1 m/s ²
	Rr.	2,8 m/s ²		2,8 m/s ²

Les caractéristiques sont sujettes à modification sans préavis.

Moteur

Modèle moteur	GX25T
Code de description moteur	GCALT
Type de moteur	4 temps, arbre à cames en tête, 1 cylindre
Déplacement	25,0 cm ³
Alésage × Course	35,0 × 26,0 mm
Puissance nette du moteur (conformément avec SAE J1349*)	0,72 kW/7000 tr/min
Couple net max. du moteur (conformément avec SAE J1349*)	1,0 N·m (0,10 kgf·m)/5 000 tr/min
Système de refroidissement	Air forcé
Circuit d'allumage	Magneto transistor
Contenance en huile	0,08 l
Contenance du réservoir de carburant	0,45 l
Bougie	NGK: CMR5H

*: La puissance nominale du moteur indiquée dans ce document est la puissance de sortie nette testée sur un moteur de production de ce modèle, et mesurée conformément à SAE J1349 à 7000 tr/min (puissance nette du moteur) et à 5000 tr/min (couple net max. du moteur). La puissance de sortie des moteurs fabriqués en grande série peut être différente de cette valeur.

La puissance de sortie réelle lorsque le moteur est installé dans la machine finale variera en fonction de plusieurs facteurs, y compris la vitesse de fonctionnement du moteur pendant l'utilisation, les conditions environnementales, la maintenance et autres variables.

Réglage

ÉLÉMENT	CARACTÉRISTIQUES	ENTRETIEN
Écartement des bougies	0,6–0,7 mm 0,024–0,7 mm	Voir page: 50
Jeu - robinet (froid)	IN: 0,08 ± 0,02 mm EX: 0,11 ± 0,02 mm	Contactez votre concessionnaire Honda agréé
Autres spécifications	Aucun autre réglage nécessaire.	

Les caractéristiques sont sujettes à modification sans préavis.

Modèle	HHH25S
Produits Code de description	UTAJ

Cadre

Type	75ET
Type de lame	Lame simple
Longueur globale	1 125 mm
Largeur globale	310 mm
Hauteur globale	259 mm
Masse sèche [poids]	5,8 kg
Type d'embrayage	Embrayage centrifuge
Longueur de lame	720 mm

Bruit et vibrations

Type	75ET	
Niveau de pression sonore aux oreilles de l'opérateur EN774: 1996/A3: 2001	90 dB (A)	
Incertitude	3 dB (A)	
Niveau de puissance sonore mesurée (2000/14/CE, 2005/88/CE)	101 dB (A)	
Incertitude	3 dB (A)	
Niveau de puissance sonore garanti (2000/14/CE, 2005/88/CE)	104 dB (A)	
Niveau de pression sonore Normes Australie et Nouvelle-Galles du Sud	—	
Niveau de vibration main-bras (EN774: 1996/A3: 2001)	Fr.	12,3 m/s ²
	Rr.	5,4 m/s ²
Incertitude (EN12096: 1997 Annexe D)	Fr.	4,9 m/s ²
	Rr.	2,2 m/s ²

Les caractéristiques sont sujettes à modification sans préavis.

Moteur

Modèle moteur	GX25T
Code de description moteur	GCALT
Type de moteur	4 temps, arbre à cames en tête, 1 cylindre
Déplacement	25,0 cm ³
Alésage × Course	35,0 × 26,0 mm
Puissance nette du moteur (conformément avec SAE J1349*)	0,72 kW/7000 tr/min
Couple net max. du moteur (conformément avec SAE J1349*)	1,0 N·m (0,10 kgf·m)/5 000 tr/min
Système de refroidissement	Air forcé
Circuit d'allumage	Magneto transistor
Contenance en huile	0,08 l
Contenance du réservoir de carburant	0,45 l
Bougie	NGK: CMR5H

*: La puissance nominale du moteur indiquée dans ce document est la puissance de sortie nette testée sur un moteur de production de ce modèle, et mesurée conformément à SAE J1349 à 7000 tr/min (puissance nette du moteur) et à 5000 tr/min (couple net max. du moteur). La puissance de sortie des moteurs fabriqués en grande série peut être différente de cette valeur.

La puissance de sortie réelle lorsque le moteur est installé dans la machine finale variera en fonction de plusieurs facteurs, y compris la vitesse de fonctionnement du moteur pendant l'utilisation, les conditions environnementales, la maintenance et autres variables.

Réglage

ÉLÉMENT	CARACTÉRISTIQUES	ENTRETIEN
Écartement des bougies	0,6–0,7 mm 0,024–0,7 mm	Voir page: 50
Jeu - robinet (froid)	IN: 0,08 ± 0,02 mm EX: 0,11 ± 0,02 mm	Contactez votre concessionnaire Honda agréé
Autres spécifications	Aucun autre réglage nécessaire.	

Les caractéristiques sont sujettes à modification sans préavis.

HONDA HHH25D/HHH25S

BEDIENUNGSANLEITUNG
Originalbetriebsanleitung



Wir bedanken uns für Ihren Kauf einer Honda-Heckenschere.

Dieses Handbuch behandelt die Bedienung und Wartung der Honda-Heckenschere HHH25D/HHH25S.

Die Honda Motor Co., Ltd. behält sich unangekündigte Änderungen vor, ohne dass Honda hieraus eine Verpflichtung entsteht.

Diese Publikation darf nicht, auch nicht auszugsweise, ohne schriftliche Genehmigung vervielfältigt werden.

Diese Anleitung soll als permanenter Bestandteil der Heckenschere gelten und im Falle des Wiederverkaufs bei dem Gerät verbleiben.

Beachten Sie insbesondere Erläuterungen, denen eines der folgenden Wörter voransteht:

▲WARNUNG Es ist eine hohe Wahrscheinlichkeit gegeben, dass Personen schwer oder tödlich verletzt werden, wenn die Anweisungen nicht befolgt werden.

VORSICHT: Es besteht die Möglichkeit, dass Personen oder Sachen zu Schaden kommen, wenn die Anweisungen nicht befolgt werden.

HINWEIS: Es handelt sich um eine nützliche Information.

Wenden Sie sich mit Problemen oder Fragen jederzeit an Ihren autorisierten Honda-Händler.

Bei sachgemäßem Einsatz leisten Honda-Heckenscheren ihren Dienst sicher und zuverlässig.

▲WARNUNG Beim Betrieb einer Heckenschere ist besonders auf die Sicherheit des Bedieners und anderer Personen zu achten. Lesen Sie diese Betriebsanleitung, bevor Sie die Heckenschere in Gebrauch nehmen, und beachten Sie die Anleitung auch danach, damit weder Personen noch Sachen zu Schaden kommen.

- Die Abbildungen in diesem Handbuch zeigen im Wesentlichen die Ausführung HHH25D.

Entsorgung

Zum Schutz der Umwelt entsorgen Sie dieses Produkt, den Akku, Motoröl usw. nicht sorglos mit dem Hausmüll. Beachten Sie bei der Entsorgung örtliche Gesetze und Vorschriften, und wenden Sie sich an Ihren autorisierten Honda-Händler.

INHALT

1. SICHERHEITSHINWEISE	3
2. SICHERHEITSSCHILDER	15
CE-Zeichen und Geräuschemissionsschild	16
3. BAUTEILBEZEICHNUNGEN	19
4. BEDIENEINRICHTUNGEN	22
5. ARBEITSVORBEREITUNG	25
6. MOTOR STARTEN	34
Vergaseranpassungen für den Betrieb in Höhenlagen	38
7. ARBEITEN MIT DER HECKENSCHERE	39
8. MOTOR ABSTELLEN	43
9. WARTUNG	44
10. AUFBEWAHRUNG	57
11. FEHLERSUCHE	59
12. TECHNISCHE DATEN	60
Honda-VERTRIEBSNIEDERLASSUNGEN	Dritte Umschlagseite
"EG-Konformitätserklärung"	
INHALTSÜBERSICHT	Dritte Umschlagseite

▲ WARNUNG

Sicherer Gebrauch des Geräts

Beachten Sie zu Ihrer Sicherheit und zur Sicherheit anderer Personen diese wichtigen Hinweise:



- Bei sachgemäßem Einsatz leistet die Honda-Heckenschere ihren Dienst sicher und zuverlässig. Lesen Sie diese Betriebsanleitung, bevor Sie die Heckenschere in Gebrauch nehmen, und beachten Sie die Anleitung auch danach, damit weder Personen noch Sachen zu Schaden kommen.



- Das Abgas enthält giftiges Kohlenmonoxid. Kohlenmonoxid ist ein farbloses, geruchloses Gas. Das Einatmen von Kohlenmonoxid kann zu Bewusstlosigkeit und zum Tod führen.
- Die Heckenschere nicht in einem geschlossenen oder teilweise umschlossenen Raum betreiben. Die Atemluft kann gefährliche Mengen Abgas enthalten.
- Die Heckenschere nicht in einer Garage, im Haus oder in der Nähe offener Fenster oder Türen betreiben.



- Benzin ist extrem entflammbar und unter bestimmten Bedingungen explosionsfähig.
- An Orten, an denen die Heckenschere betankt wird oder an denen Benzin gelagert wird, nicht rauchen und offenes Feuer und Funken fernhalten.
- Den Kraftstofftank nicht überfüllen und nach dem Befüllen den Kraftstofftankdeckel fest verschließen.
- Den Kraftstofftank an einem gut belüfteten Ort bei abgestelltem Motor befüllen.



- **Personen und Haustiere aus dem Arbeitsbereich der Heckenschere fernhalten.**
- **Personen und Tiere sollen auf mindestens 4,5 m Abstand zu der arbeitenden Heckenschere gehalten werden. Es besteht Gefahr, mit dem Schneidmesser in Berührung zu geraten oder von Schnittgut getroffen zu werden.**



- **Zum Schutz der Augen und des Körpers Augenschutz, Schutzhelm und andere Schutzausrüstung tragen. Bei arbeitendem Messer besteht Gefahr nicht nur durch abgeworfenes normales Schnittgut, sondern auch durch fliegende Objekte wie Steine, Glas, Draht usw., die von der Heckenschere versehentlich ergriffen werden.**

Sicherer Gebrauch des Geräts

Verantwortlichkeiten des Bedieners

- Jeder Teil der Maschine ist eine potentielle Gefahrenquelle, wenn die Maschine unter nicht vorhergesehenen Umständen betrieben oder nicht ordentlich instand gehalten wird.
- Die Betriebsanleitung ist eine Pflichtlektüre. Wichtig ist, dass der Bediener weiß, wie die Heckenschere bedient wird, wie sie eingesetzt werden darf und wie er im Notfall schnell den Motor stoppen kann.
- Die Heckenschere darf nur im Rahmen ihres bestimmungsgemäßen Gebrauchs eingesetzt werden, nämlich zum Beschneiden von Hecken.

Jeder andere Gebrauch stellt eine nicht bestimmungsgemäße Nutzung und Gefährdung, auch der Heckenschere, dar.

Die Heckenschere nicht zum Entasten einsetzen.

- Kinder sowie Personen, die mit dem Inhalt dieser Betriebsanleitung nicht vertraut sind, sollen die Heckenschere nicht benutzen. Örtliche Bestimmungen können eine Altersbeschränkung vorsehen.
- Wenn die Heckenschere verliehen oder verkauft wird, obliegt es dem aktuellen Eigentümer, die dritte Person in der Handhabung des Produkts zu unterweisen und auf die Betriebsanleitung hinzuweisen.
- Die Heckenschere soll nicht eingesetzt werden,
 - wenn sich Personen, insbesondere Kinder, in der Nähe aufhalten.
 - der Anwender müde ist oder unter Medikamenteneinfluss steht bzw. Substanzen aufgenommen hat, die bekanntermaßen die Urteilsfähigkeit und das Reaktionsvermögen einschränken.
- Personen und Haustiere bei der Arbeit auf 4,5 m oder mehr Abstand halten. Der Abstand von mindestens 4,5 m ist auch von Personen einzuhalten, die dem Maschinenbediener bei der Arbeit zur Hand gehen. Eine im Sinne der Sicherheit aller empfohlene Praxis sind zwischen Maschinenbediener und Helfer vereinbarte „Stopp“-Signale und andere Handzeichen.
- Zu beachten ist, dass der Bediener oder Benutzer für Unfälle und Gefährdungen anderer Personen oder deren Eigentums aufzukommen hat.

▲ WARNUNG**Sicherer Gebrauch des Geräts****Verantwortlichkeiten des Bedieners**

- Zur Arbeit mit der Heckenschere soll grundsätzlich schützende Kleidung getragen und andere schützende Ausrüstung angelegt werden.
 - Schützende Kleidung
 - Hierzu gehören ein langärmeliges Oberteil und eine lange Hose. Die Kleidungsstücke sollen nah am Körper sein, Knöpfe und Reißverschlüsse geschlossen sein. Aufgeknöpfte Ärmel und abstehende oder lose Hemden- und Jackensäume stellen eine potentielle Gefahr dar. Auch Armschützer sind sehr empfehlenswert. Bänder, Schnüre, Schleifen, lose sitzende Kleidung, Krawatten sowie Schmuck wie Armbänder, Halsketten und dergleichen verbieten sich bei dieser Arbeit. Wenn sich diese bei der Arbeit in der Hecke verfangen oder von der Heckenschere erfasst werden, besteht Verletzungsgefahr. Dasselbe gilt für langes Haar – das Haar nicht offen tragen und nicht über die Schulter reichen lassen.
 - Schützende Ausrüstung
 - * Schutzbrille
 - Schutzbrille oder ein anderer Augenschutz schützen die Augen vor Schnittgut und fliegenden Bruchstücken, mit denen bei der Arbeit zu rechnen ist.
 - * Schutzhelm
 - Der Helm schützt den Kopf vor Ästen in der Höhe und Objekten aus der Höhe.
 - * Gesichtsschild
 - Der Gesichtsschild schützt das Gesicht vor Schnittgut und fliegenden Bruchstücken, mit denen bei der Arbeit zu rechnen ist.
 - * Gehörschutzkapseln oder Gehörschutzstöpsel
 - Gehörschutzkapseln oder Gehörschutzstöpseln schützen die Ohren vor Lärm.
 - * Handschuhe
 - Handschuhe schützen die Hände.
 - * Sicherheitsschuhe
 - Sicherheitsschuhe mit rutschfesten Sohlen und Zehenschutzkappe schützen die Füße vor fliegenden Bruchstücken. Das Gerät nicht barfuß oder in offenen Sandalen bedienen. Beinschützer empfehlen sich außerdem.

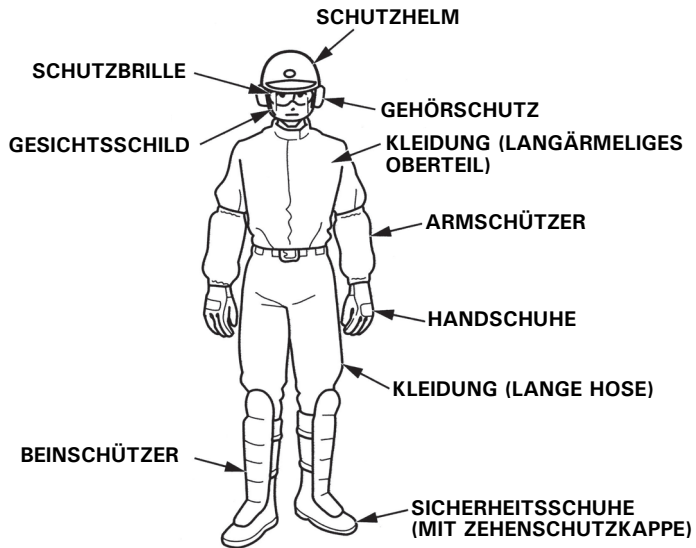
▲ WARNUNG

Sicherer Gebrauch des Geräts

Verantwortlichkeiten des Bedieners

* Staubmaske

Das Tragen einer Staubmaske wird Personen empfohlen, die unter allergischer Rhinitis (Heuschnupfen), Pollenallergie und dergleichen leiden. Staubmasken sind in der Apotheke erhältlich und helfen, den Pollenstaub aus den Atemwegen zu halten.



- Die Heckenschere ist vor jedem Gebrauch auf sichtbare Schäden und lockere Befestigungsteile zu untersuchen.
- Dabei soll vor jedem Gebrauch auch der Bereich um den Motor auf Anzeichen untersucht werden, dass Öl oder Benzin austritt.
- Das Arbeiten bei Nacht oder Schlechtwetter mit eingeschränkter Sicht birgt erhöhte Unfallgefahren.
- Bei der Arbeit langsam, nicht hastig gehen.
- Die Heckenschere soll nicht an einem steilen Hang eingesetzt werden.

Es besteht Rutsch- und Absturzgefahr.

▲ WARNUNG**Sicherer Gebrauch des Geräts****Verantwortlichkeiten des Bedieners**

- Die Heckenschere darf nicht eingesetzt werden, wenn Hinweisschilder oder andere Teile fehlen.
- Es dürfen keine gerätefremden Teile eingebaut und die Heckenschere darf nicht manipuliert werden. Dadurch besteht Gefahr für Personen und Sachen.
- Vor dem Starten des Motors sichergehen, dass das Messer keinen Kontakt mit dem Boden oder einem anderen Hindernis erhalten kann.
- Hände und Füße vom Messer fernhalten und den Motor wie in der Anleitung beschrieben starten.
- Die Heckenschere auf einer ebenen, freien Fläche (kein hohes Gras, keine Hindernisse) starten.
- Die Heckenschere nicht mit Kraft anlegen. Messerbewegung, Messergeschwindigkeit und Arbeitsgeschwindigkeit sollen aufeinander abgestimmt sein.
- Die eingeschaltete Heckenschere nicht tragen. Zum Tragen der Heckenschere grundsätzlich den Motor abstellen und kontrollieren, dass das Messer steht. Zum Tragen der Schere außerdem die Schutzabdeckung aus Kunststoff auf das Messer setzen.
- Bei heißem Motor vom Auspuff fernbleiben. Es besteht Verbrennungsgefahr.
Die Heckenschere beim Tragen vom Körper weg halten. Der Schalldämpfer ist im Betrieb und nach dem Betrieb heiß.

Sicherer Gebrauch des Geräts

Verantwortlichkeiten des Bedieners

- Den Motor abstellen und kontrollieren, dass der Motorschalter AUS geschaltet ist:
 - Vor Arbeiten im Bereich des Messers.
 - Vor Arbeiten an der Heckenschere, einschließlich zur Durchführung von Kontroll- und Reinigungsmaßnahmen.
 - Nach dem Kontakt mit einem Hindernis. Prüfen, ob die Heckenschere Schaden genommen hat. Wenn ja, die notwendigen Reparaturen durchführen und die Arbeit mit der Heckenschere erst dann wieder aufnehmen.
 - Wenn die Heckenschere auffällig vibriert. Sofort die Ursache ermitteln und die notwendigen Reparaturen vornehmen.
- Den Motorschalter AUS schalten und den Motor stoppen:
 - Bevor die Heckenschere unbeaufsichtigt zurückgelassen wird.
 - Zum Betanken.
 - Wenn sich Personen oder Tiere nähern.
 - Sofort den Motor abstellen, wenn die Heckenschere auffällig zu vibrieren beginnt. Solche Vibrationen können darauf hindeuten, dass bewegliche Teile beschädigt oder Befestigungen locker sind. Der Ursache nachgehen und den Motor nicht starten, bevor die Ursache behoben ist.
 - Sofort den Motor abstellen, wenn das Messer weiterläuft, nachdem der Gashebel in die Grundstellung gebracht wurde. Der Ursache nachgehen und den Motor nicht starten, bevor die Ursache behoben ist.
 - Wenn das Messer einen Draht erfasst. Zum Entfernen des Drahts den Motor abstellen. Wenn bei laufendem Motor das Messer in Bewegung geht, besteht schwere Verletzungsgefahr.
 - Vor dem Absetzen der Heckenschere auf dem Boden kontrollieren, dass das Messer steht.
Das Messer bleibt nach dem Zurückstellen des Gashebels mit dem Motor im Leerlauf nicht sofort stehen, sondern läuft bedingt durch die Trägheit seiner Masse nach.

Sicherer Gebrauch des Geräts

Verantwortlichkeiten des Bedieners

- Vorsicht bei der Arbeit ist vor dem Kontakt der Heckenschere mit harten Materialien, wie zum Beispiel Draht oder Eisenstangen, geboten. Es besteht Unfall- und Verletzungsgefahr.
Wenn die Heckenschere auf ein Hindernis trifft, sofort den Motor abstellen und das Messer überprüfen. Die Heckenschere nicht wieder in Betrieb nehmen, wenn das Messer Risse zeigt, verbogen, durch Hitze verfärbt oder verschlissen ist.
Risse im Messer können dazu führen, dass das Messer während der Arbeit bricht und Bruchstücke fliegen.
- Die Heckenschere ist nicht in Ordnung, wenn das Messer weiterläuft, obwohl der Motor mit dem Gashebel in Grundstellung im Leerlauf ist. Sofort den Motor abstellen. Die Leerlaufdrehzahl von einem Honda-Vertragshändler einstellen lassen.
- Der sichere Betriebszustand der Heckenschere ist nur dann gewährleistet, wenn keine Schrauben und Muttern usw. locker sind. In diesem Sinne dient die regelmäßige Wartung in höchstem Maße der Sicherheit des Anwenders und der Zuverlässigkeit des Produkts.
- Die Heckenschere nicht einsetzen, wenn Teile verschlissen oder beschädigt sind. Solche Teile austauschen oder reparieren lassen. Bei den Ersatzteilen soll es sich um Honda-Originalteile handeln. Teile minderer Qualität können zu Schäden an der Maschine führen und bedeuten ein Sicherheitsrisiko.
- Die Heckenschere während der Arbeit fest mit beiden Händen halten, damit sie nicht außer Kontrolle gerät.
- Zum Schneiden der Hecke das Messer nach außen richten.
Die Heckenschere bei der Arbeit nicht mit dem Messer in Richtung Körper führen.
- Auf sicheren Stand und sicheres Körpergleichgewicht achten. Mit der Heckenschere nicht auf einer Leiter, einem Tisch oder einer anderen nicht standfesten Standfläche und nicht mit vorgebeugtem Körper, hochgestreckten Armen, auf Zehenspitzen usw. arbeiten.

Sicherer Gebrauch des Geräts

Verantwortlichkeiten des Bedieners

- Durch Vibrationen und Kälte hervorgerufene körperliche Symptome:
Zu solchen Symptomen zählen ein Kribbeln oder Brennen in den Fingern, je nach körperlicher Veranlagung können die Finger auch weiß werden und sich taub anfühlen. Der genaue Auslöser hierfür ist nicht bekannt, man geht aber davon aus, dass Vibrationen und Unterkühlung in dieser Kombination eine Rolle spielen. Es empfehlen sich folgende vorbeugende Maßnahmen:
 - * Die Arbeitszeit mit der Heckenschere an einem Tag sollte nicht zu lang sein.
Wenn möglich, wechseln Sie die Arbeit mit der Heckenschere und andere Arbeiten, die Sie ohne handgeführte Maschinen erledigen können, ab, damit die Hände den Maschinenvibrationen kürzere Zeiten am Stück ausgesetzt sind.
 - * Wichtig ist, dass der Körper, insbesondere Hände, Handgelenke und Arme, warm gehalten und vor Kälte geschützt werden.
 - * Pausen in kürzeren Abständen und Armübungen während dieser Pausen unterstützen die Blutzirkulation. Bei der Arbeit nicht rauchen.
 - * Wenn Sie ein unangenehmes Gefühl in den Fingern spüren, die Finger rot werden und anschwellen, danach blutleer (weiß) und taub werden, wenden Sie sich umgehend an einen Arzt.
- Durch ständigen Gebrauch hervorgerufene körperliche Symptome:
Der regelmäßige Gebrauch über einen längeren Zeitraum kann körperliche Symptome hervorrufen. Die folgenden Maßnahmen helfen, Langzeitschäden vorzubeugen:
 - * Achten Sie auf die Stellung der Handgelenke: Die Handgelenke sollen bei der Arbeit möglichst nicht abgeknickt, überdehnt oder verdreht gehalten werden.
 - * Regelmäßige Pausen wirken dem Langzeiteffekt entgegen. Genauso wichtig ist eine maßvolle Arbeitsgeschwindigkeit.
Das Schneiden mit der Heckenschere ist keine Arbeit, die unter Zeitdruck oder in Hetze ausgeführt werden soll.
 - * Wenn Sie ein pochendes oder taubes Gefühl in Fingern, Händen, Handgelenken oder Armen wahrnehmen, konsultieren Sie Ihren Arzt.

▲ WARNUNG**Sicherer Gebrauch des Geräts****Kindersicherheit**

- Während draußen die Heckenschere im Einsatz ist sollen Kinder unter ständiger Aufsicht im Haus gehalten werden. Kleine Kinder sind flink und erfahrungsgemäß von der Heckenschere und der Arbeit an der Hecke besonders fasziniert.
- Kinder sind oft im nächsten Augenblick nicht mehr da, wo man sie zuletzt gesehen hat. Seien Sie wachsam, und schalten Sie die Heckenschere aus, wenn sich Kinder nähern.
- Kindern darf die Bedienung der Heckenschere nicht gestattet werden, auch nicht unter Aufsicht eines Erwachsenen.

Gefahr durch fliegende Bruchstücke

Von der arbeitenden Heckenschere erfasste Objekte können mit großer Wucht weggeschleudert werden und Personen schwer verletzen.

- Den Arbeitsbereich der Heckenschere vor der Arbeit gründlich untersuchen und Gegenstände (Steine, Zweige, Draht, Knochen und anderes) entfernen, die eine Gefahr darstellen, wenn sie von der Heckenschere ergriffen werden.

▲ WARNUNG**Sicherer Gebrauch des Geräts****Feuergefahr und Verbrennungsgefahr**

Benzin ist hochentzündlich und Benzindämpfe sind explosionsfähig. Im Umgang mit Benzin ist höchste Vorsicht geboten. Benzin für Kinder unzugänglich aufbewahren.

- Kraftstoff nur in zugelassenen Benzinkanistern lagern.
- Das Gerät nur im Freien betanken und beim Tanken und bei der Handhabung von Kraftstoff nicht rauchen.
- Das Gerät vor dem Motorstart betanken. Auf keinen Fall darf bei laufendem Motor oder heißem Motor der Kraftstofftankdeckel geöffnet und Benzin eingefüllt werden.
- Wenn Benzin über- oder ausgelaufen ist, nicht den Motor starten, sondern die Heckenschere aus dem Bereich bringen und Zündquellen vermeiden, bis sich die Benzindämpfe verflüchtigt haben.
- Die Verschlussdeckel an Kraftstofftank und Benzinkanistern fest verschlossen halten.
- Den Motor nach dem Betanken mindestens 3 m von der Stelle entfernt starten, an der der Tank befüllt wurde.
- Die Heckenschere nicht mit Benzin im Tank in einem Gebäude lagern, in dem Dämpfe offene Flammen, Funken oder Hitzequellen erreichen können.
- Den Motor vor der Unterbringung in einer geschlossenen Umhausung abkühlen lassen.
- Wegen der Brandgefahr die Heckenschere, insbesondere den Motor und Schalldämpfer, und den Lagerort des Benzins frei von Gras, Laub und Fettansammlungen halten.
Keine Behälter mit pflanzlichem Inhalt im selben Gebäude oder in der Nähe aufstellen.
- Den Kraftstofftank nur im Freien und bei kaltem Motor entleeren.

▲ WARNUNG**Sicherer Gebrauch des Geräts****Vergiftungsgefahr durch Kohlenmonoxid**

Das Abgas enthält giftiges Kohlenmonoxid. Kohlenmonoxid ist ein farb- und geruchloses Gas. Das Einatmen von Abgas kann zu Bewusstlosigkeit und zum Tod führen.

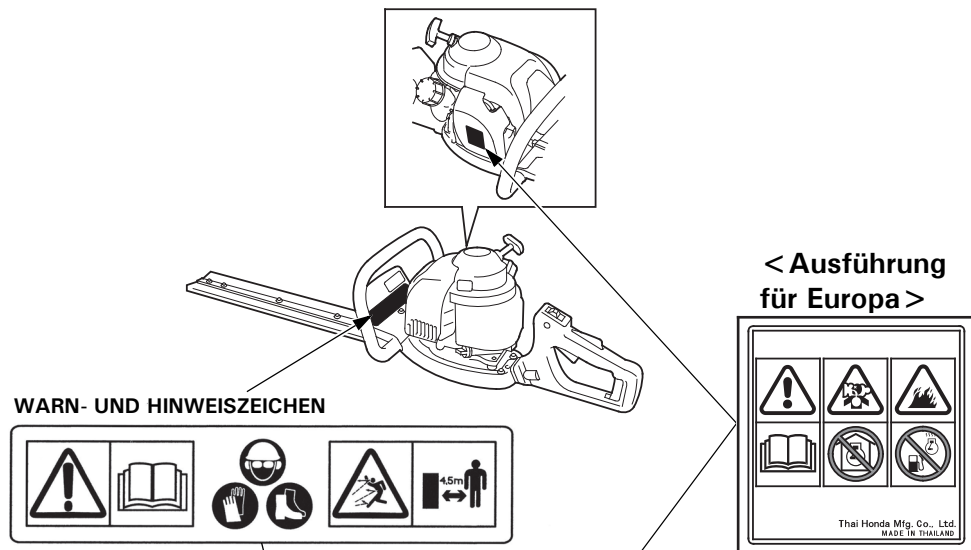
- Den Motor nicht in einem geschlossenen oder teilweise umschlossenen Raum laufen lassen. Die Atemluft kann gefährliche Mengen Abgas enthalten.
Damit sich kein Abgas anreichern kann, für ausreichende Be- und Entlüftung sorgen.
- Einen nicht funktionstüchtigen Schalldämpfer austauschen.
- Den Motor nicht in einem geschlossenen Raum betreiben, in dem sich gefährliche Kohlenmonoxiddämpfe ansammeln können.

2. SICHERHEITSSCHILDER

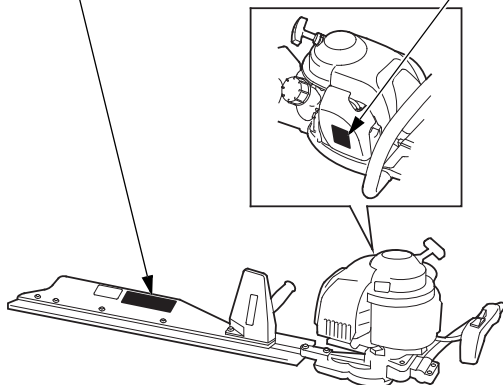
Im Umgang mit der Heckenschere ist Vorsicht walten zu lassen. An der Maschine sind Piktogramme angebracht, die Sie an die wichtigsten Sicherheitsvorschriften erinnern. Die genaue Bedeutung der Schilder finden Sie auf der Seite 3 erläutert.

Die Zeichen und Schilder gelten als Bestandteil der Heckenschere. Wenden Sie sich darum bitte zwecks Ersatz an Ihren Honda-Händler, sollte ein Schild verloren gehen oder unleserlich werden.

HHH25D:



HHH25S:

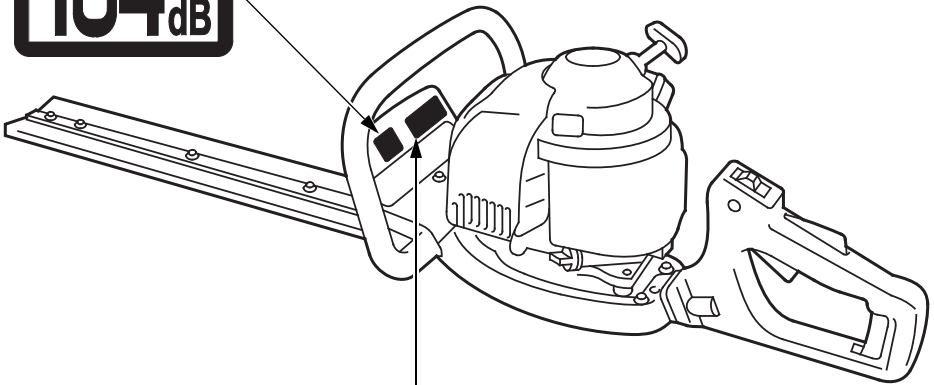


CE-Zeichen und Geräuschemissionsschild

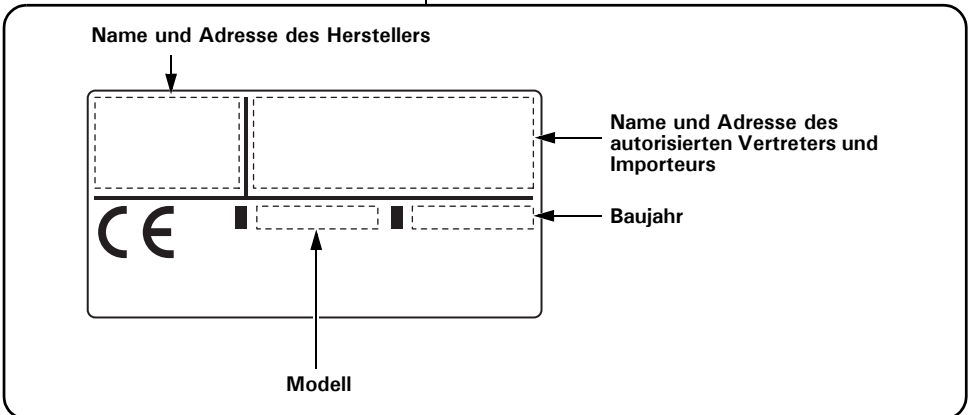
HHH25D:

< Ausführung für Europa >

GERÄUSCHEMISSIONSANGABE



CE-ZEICHEN

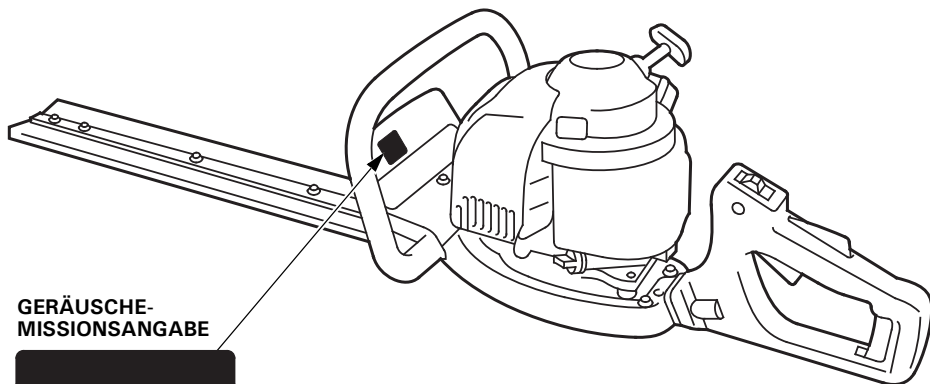


Name und Adresse des Herstellers, autorisierten Vertreters und Importeurs sind in der "EU-Konformitätserklärung" im INHALTSVERZEICHNIS dieser Betriebsanleitung aufgeführt.

Geräuschemissionsschild

HHH25D:

< Ausführung für Australien >



GERÄUSCHE-
MISSIONSANGABE

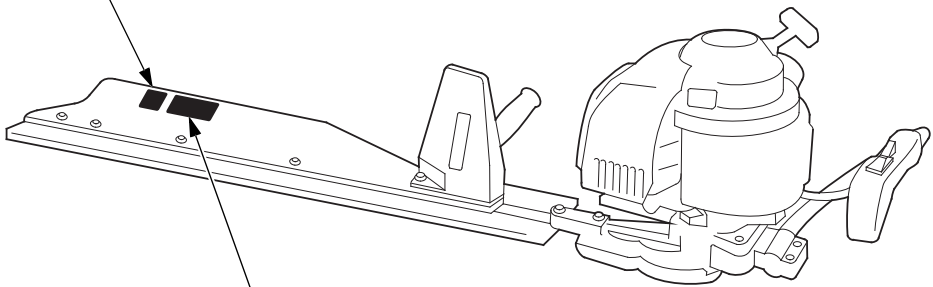


CE-Zeichen und Geräuschemissionsschild

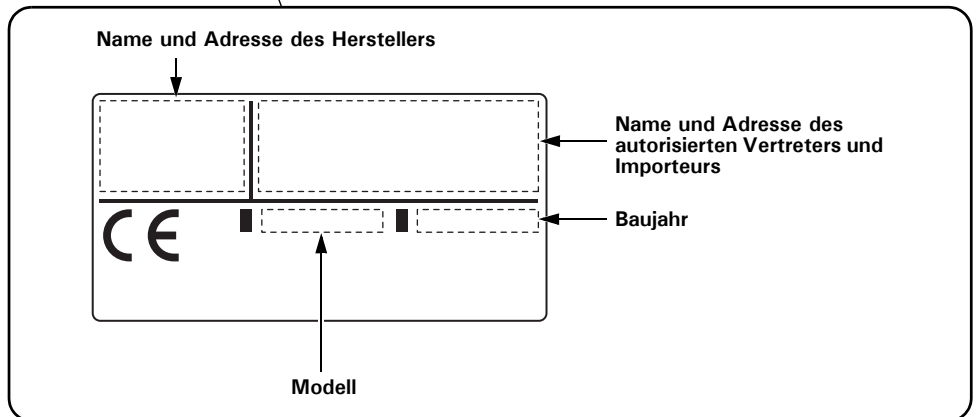
HHH25S:

< Ausführung für Europa >

GERÄUSCHEMISSIONSANGABE



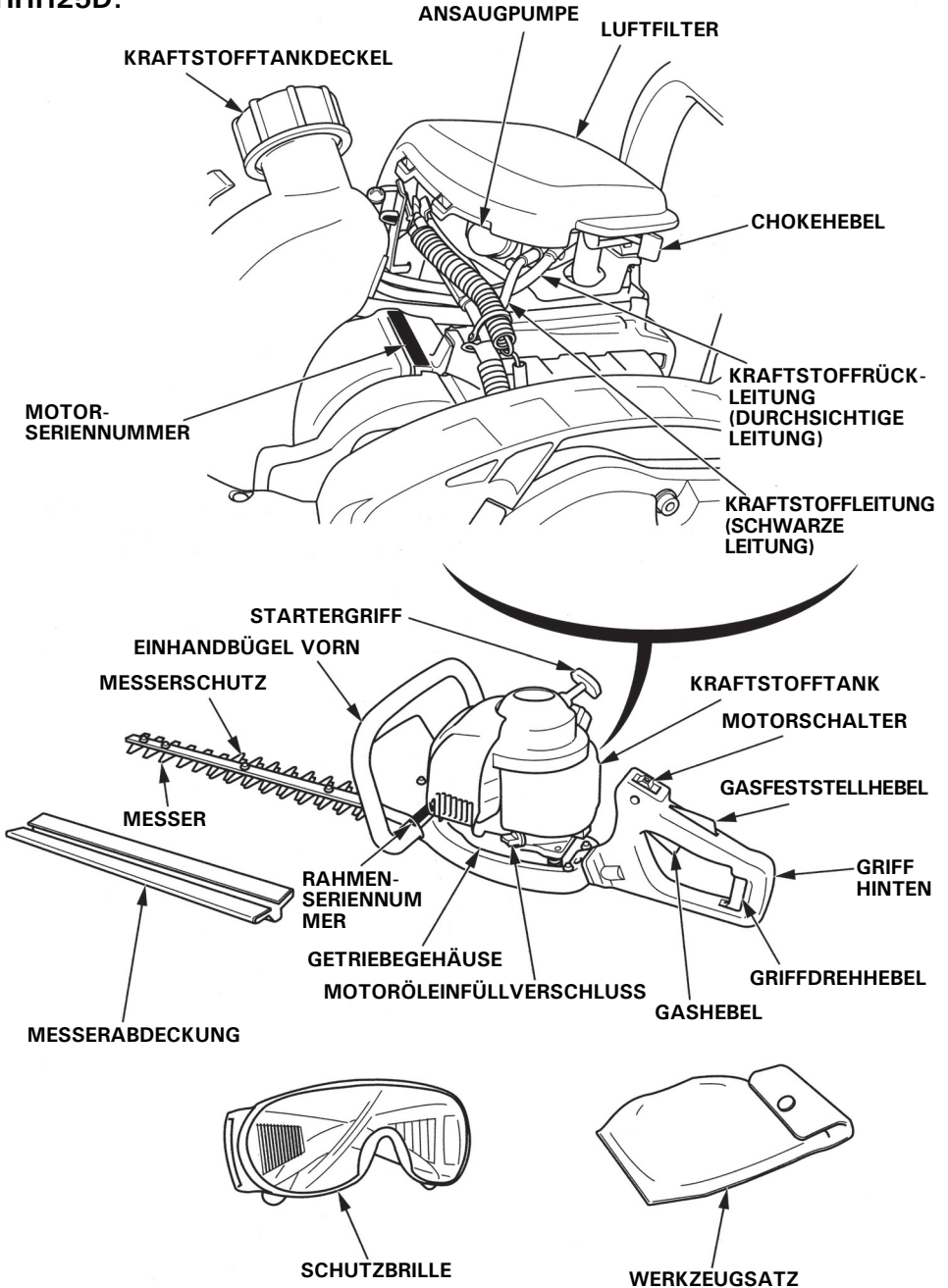
CE-ZEICHEN



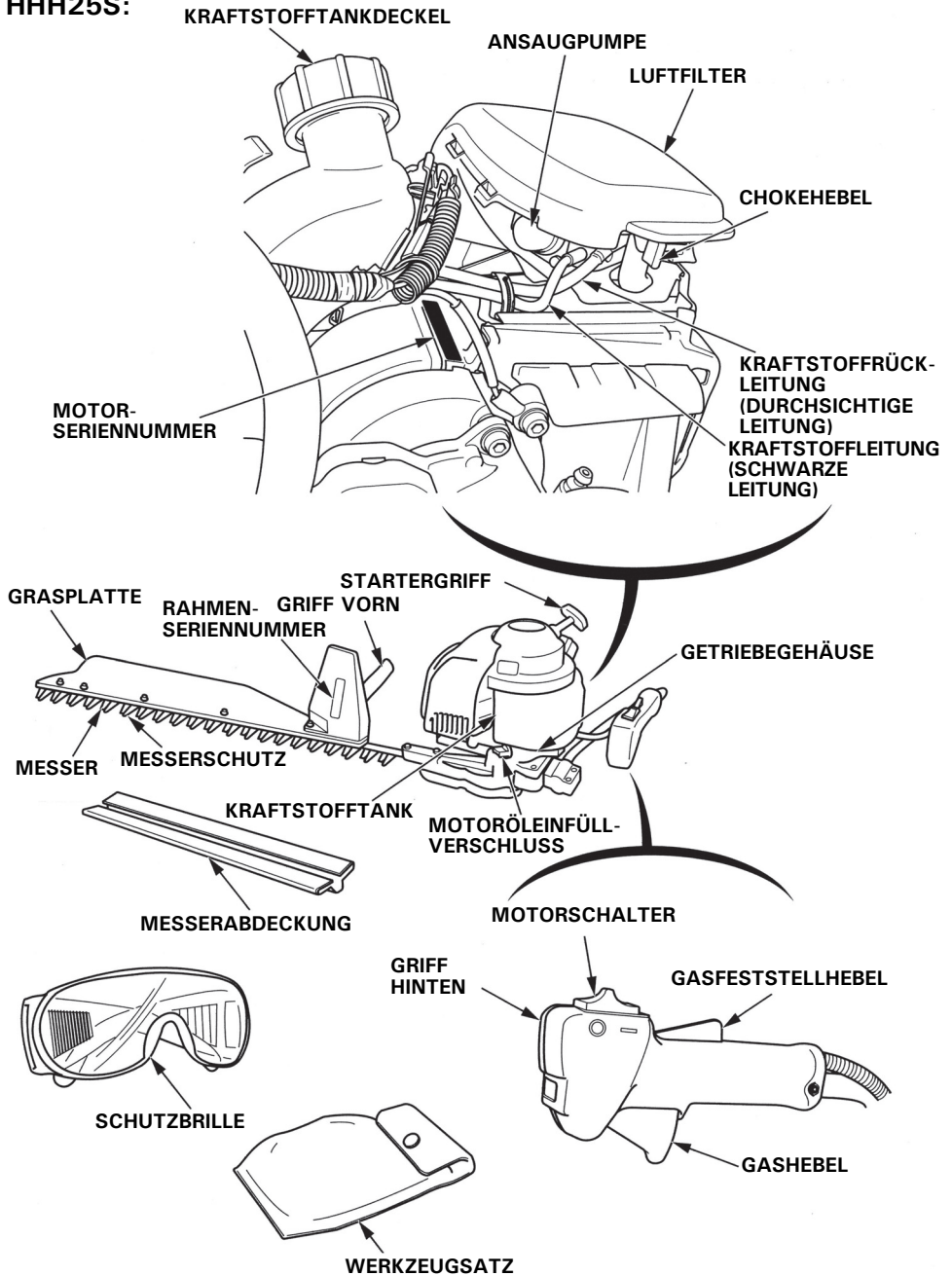
Name und Adresse des Herstellers, autorisierten Vertreters und Importeurs sind in der "EU-Konformitätserklärung" im INHALTSVERZEICHNIS dieser Betriebsanleitung aufgeführt.

3. BAUTEILBEZEICHNUNGEN

HHH25D:



HHH25S:



Tragen Sie die Rahmen-Seriennummer und die Motor-Seriennummer (siehe Seite 19 bzw. 20) in das unten vorgesehene Feld ein. Diese Seriennummern werden für Teilebestellungen und für technische Anfragen oder Fragen zur Garantie benötigt.

Motor-Seriennummer: _____

Rahmen-Seriennummer: _____

4. BEDIENEINRICHTUNGEN

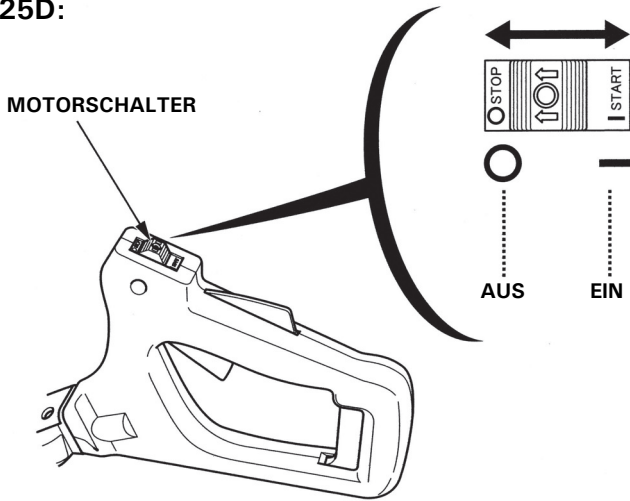
1. Motorschalter

Mit dem Motorschalter schalten Sie die Zündung ein und aus.

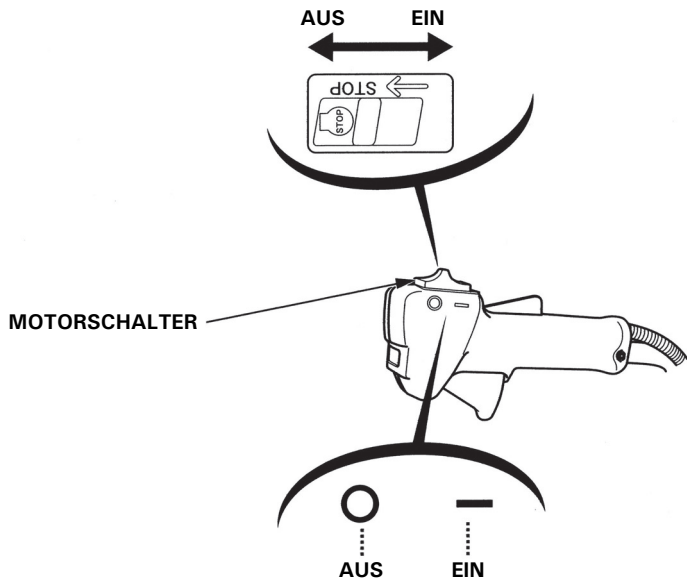
Bei laufendem Motor ist der Motorschalter EIN geschaltet.

Zum Abstellen des Motors schalten Sie den Motorabstellschalter AUS.

HHH25D:



HHH25S:

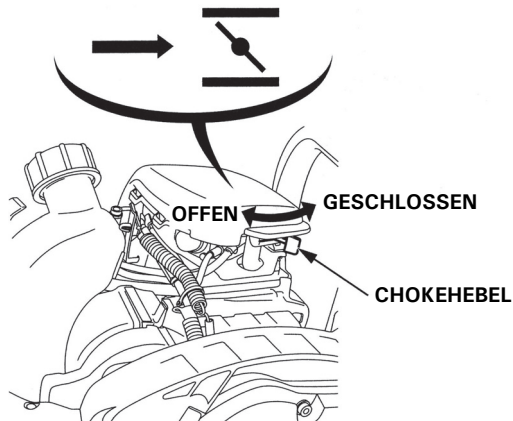


2. Chokehebel

Der Chokehebel öffnet und schließt die Starterklappe im Vergaser.

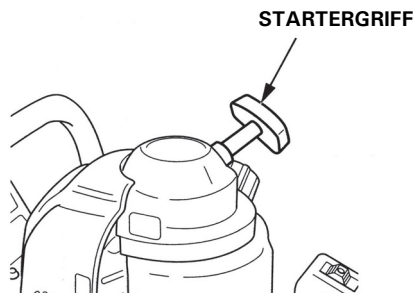
In der GESCHLOSSENEN Stellung wird das Kraftstoffgemisch zum Starten eines kalten Motors angereichert.

In der OFFENEN Stellung wird das für den betriebswarm laufenden und für den Neustart eines warmen Motors benötigte Kraftstoffgemisch bereitet.



3. Seilzugstarter

Mit dem Startergriff ziehen Sie den Seilzugstarter zum Starten des Motors.



4. Gashebel

Mit dem Gashebel regulieren Sie die Motordrehzahl.

Wenn der Hebel wenig gezogen ist, dreht der Motor langsamer, wenn der Hebel stärker gezogen ist, dreht der Motor schneller.

HINWEIS:

Der Gashebel ist mit dem Gasfeststellhebel verriegelt und nur bei gedrücktem Feststellhebel bedienbar.

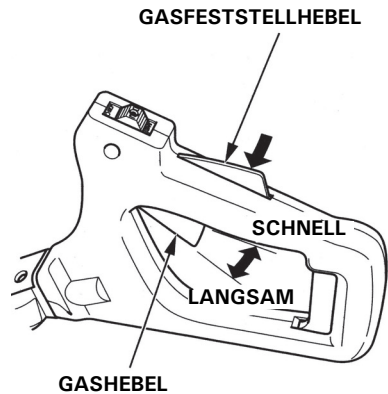
Indem Sie den Gashebel langsam ziehen, erhöhen Sie die Motordrehzahl und setzen das Messer in Bewegung. Je näher Sie den Gashebel an den Griff ziehen, desto höher sind die Motordrehzahl und die Arbeitsgeschwindigkeit des Messers.

Sobald Sie den Gashebel loslassen, geht die Motordrehzahl zurück, und das Messer läuft aus und bleibt dann stehen.

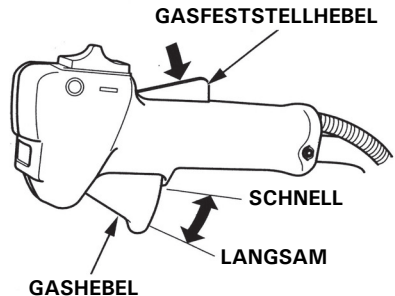
Gasfeststellhebel:

Mit dem Gasfeststellhebel entriegeln Sie den Gashebel. Der Gashebel kann nur gezogen werden, wenn gleichzeitig auch der Gasfeststellhebel gedrückt ist.

HHH25D:



HHH25S:



5. ARBEITSVORBEREITUNG

Bereiten Sie die Heckenschere so auf den sicheren Betrieb und effizienten Einsatz vor:

▲ WARNUNG

Die Heckenschere zur Durchführung dieser Arbeiten auf eine ebene Fläche setzen und den Motor abstellen. Der Motorschalter muss **AUS** geschaltet sein, damit der Motor nicht anspringen kann.

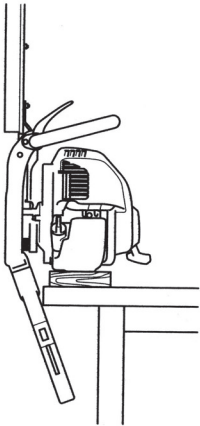
1. Motorölstand prüfen

VORSICHT:

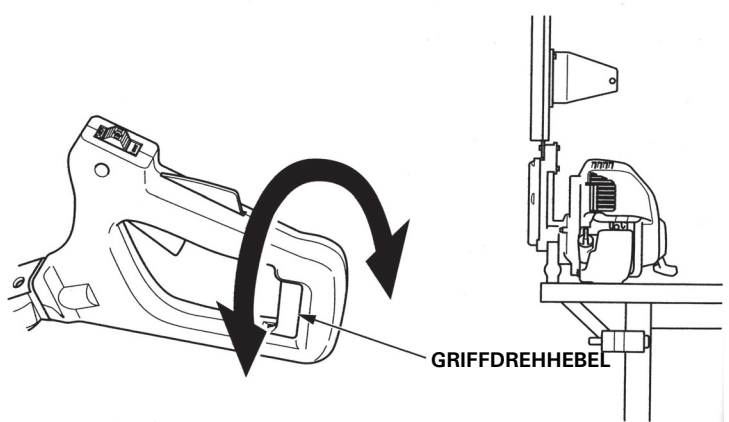
Der Motorbetrieb bei niedrigem Ölstand kann einen schweren Motorschaden herbeiführen.

1. Die Messerabdeckung anbringen. Die Heckenschere aufrecht auf einen waagerechten Tisch stellen und am Messer halten.
HHH25D: Den Griffdrehhebel ziehen und den Griff hinten um 90° nach rechts oder links drehen. Die Heckenschere auf eine ebene Fläche setzen und den Öleinfüllverschluss ausbauen.

HHH25D:



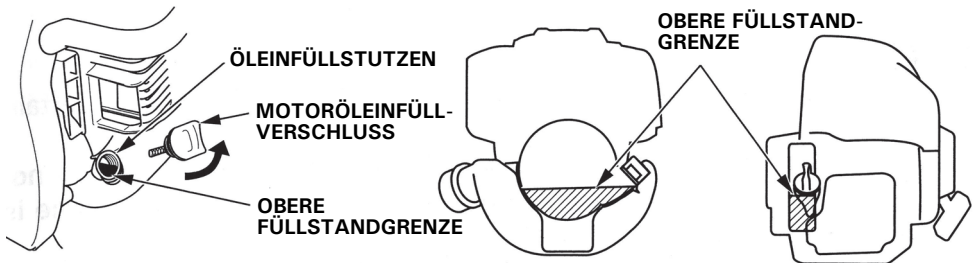
HHH25S:



2. Den Ölstand prüfen:
Das Öl soll bis an die Kante des Öleinfüllstutzens reichen. Das Motoröl darf außerdem nicht verunreinigt oder alt sein.
3. Bei niedrigem Ölstand empfohlenes Öl bis an die Kante des Öleinfüllstutzens einfüllen (siehe Seite 26).
Verunreinigtes oder altes Öl austauschen (siehe Seite 52).
4. Den Öleinfüllverschluss einbauen.

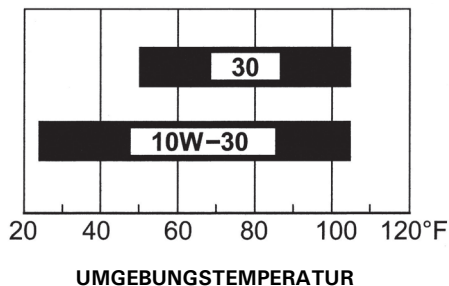
Wenn der Motor länger als 10 Stunden am Stück in Betrieb ist, den Motorölstand alle 10 Stunden nachprüfen und Öl bis zur Oberkante des Einfüllstutzens nachfüllen.

MOTORÖLMENGE: 0,08 l



Verwenden Sie ein 4-Takt-Motoröl, das die Anforderungen nach API-Serviceklasse SE oder höher (oder einem gleichwertigen Standard) mindestens erfüllt. Das Schild mit der API-Klassifizierung auf dem Ölbehälter muss mindestens die Klasse SE (oder eine höhere oder gleichwertige Klassifizierung) ausweisen.

Für den allgemeinen Gebrauch wird SAE 10W-30 empfohlen. Eventuell ist in Abhängigkeit von der Durchschnittstemperatur im Einsatzgebiet eine andere Viskosität erforderlich. Richten Sie sich nach dem Diagramm.



VORSICHT:

Detergensfreies Öl oder Zweitaktmotoröl kann die Lebensdauer des Motors verkürzen.

2. Kraftstoffstand prüfen

Der Motor ist auf bleifreies Normalbenzin mit einer Research-Oktananzahl von 91 oder höher ($ROZ + MOZ/2 = 86$ Oktan oder höher) ausgelegt. Das Benzin darf nicht abgestanden oder verunreinigt sein, und es darf kein Öl-Benzin-Gemisch eingesetzt werden. Wichtig ist, dass Schmutz und Wasser aus dem Kraftstofftank gehalten werden.

▲ WARNUNG

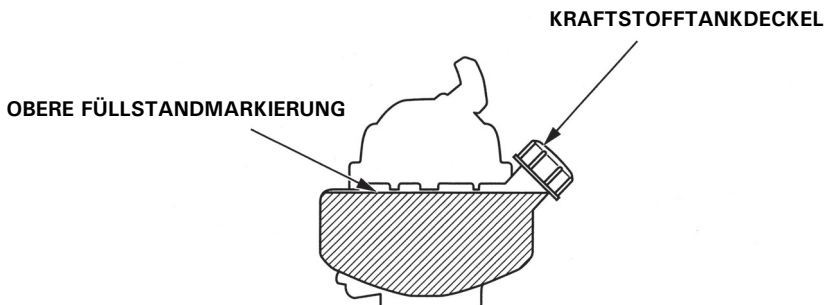
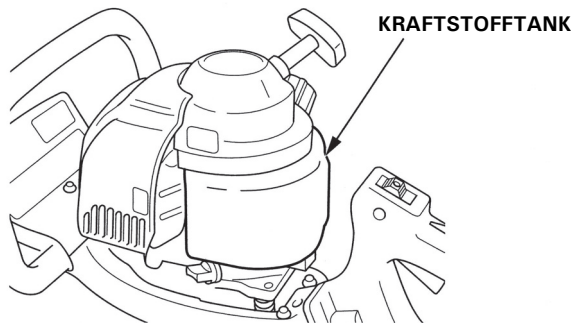
- **Benzin ist extrem entflammbar und unter bestimmten Bedingungen explosionsfähig.**
- **Den Kraftstofftank an einem gut belüfteten Ort bei abgestelltem Motor befüllen. An Orten, an denen der Motor betankt wird oder an denen Benzin gelagert wird, nicht rauchen und offenes Feuer und Funken fernhalten.**
- **Den Kraftstofftank nicht überfüllen (im Einfüllstutzen soll kein Kraftstoff stehen). Nach dem Tanken den Tankdeckel sorgfältig und fest verschließen.**
- **Beim Tanken keinen Kraftstoff verschütten. Verschütteter oder vertropfter Kraftstoff und Kraftstoffdämpfe können sich entzünden. Wenn Kraftstoff daneben gegangen ist, den Motor nicht starten, bevor die benetzten Flächen nicht trocken sind.**
- **Den wiederholten oder längeren Kontakt mit der Haut und das Einatmen der Dämpfe vermeiden. FÜR KINDER UNZUGÄNGLICH AUFBEWAHREN.**

VORSICHT:

Benzinersatzkraftstoffe werden nicht empfohlen, da sie die Bestandteile des Kraftstoffsystems schädigen können.

Den Kraftstofftank an einem gut belüfteten Ort bei abgestelltem Motor befüllen. Einen warmen Motor zuerst abkühlen lassen. Den Motor nie in einem Gebäude betanken, in dem Benzindämpfe Feuerflammen oder Funken erreichen können.

1. Die Heckenschere waagrecht stellen und außen am Tank prüfen, ob der Kraftstoff bis an die obere Füllstandmarkierung steht.
2. Bei niedrigem Füllstand Kraftstoff bis zum vorgeschriebenen Stand einfüllen. Den Kraftstofftankdeckel langsam lösen und den Luftdruck im Tank entweichen lassen. Wenn der Kraftstofftankdeckel zu schnell abgenommen wird, kann Kraftstoff austreten.



HINWEIS:

Benzin verdirbt abhängig von Einflussfaktoren wie Licht, Temperatur und Lagerzeit rasch.

Unter ungünstigen Bedingungen kann Benzin innerhalb von 30 Tagen unbrauchbar werden.

Durch verunreinigtes oder verdorbenes Benzin kann ein schwerer Motorschaden (an Vergaser und Ventilen) entstehen.

Schäden, die auf die Verwendung von schlechtem Kraftstoff zurückgehen, sind von der Gewährleistung ausgeschlossen.

Beachten Sie darum bitte diese Empfehlungen:

- Nur das vorgeschriebene Benzin verwenden (siehe Seite 27).
- Frisches und sauberes Benzin verwenden.
- Benzin in einem zugelassenen Benzinkanister lagern, dies verlangsamt den Alterungsprozess.
- Wenn eine längere Außerbetriebsetzung (länger als 30 Tage) geplant ist, Kraftstofftank und Vergaser entleeren (siehe Seite 67).

Alkoholhaltiges Benzin

Falls Sie sich für die Verwendung von alkoholhaltigem Benzin (Gasohol) entscheiden, achten Sie darauf, dass die Oktanzahl mindestens dem von Honda empfohlenen Wert entspricht.

"Gasohol" enthält entweder Äthanol oder Methanol.

Der Gasohol soll nicht mehr als 10 % Methanol enthalten.

Benzin darf nicht mehr als 5 % Methanol (Methyl- oder Holzalkohol) enthalten und muss außerdem Kosolvensen und Korrosionshemmer für Methanol enthalten.

HINWEIS:

- Schäden am Kraftstoffsystem oder Motorleistungsprobleme, die auf die Verwendung von Benzin mit einem höheren als dem empfohlenen Alkoholgehalt zurückgehen, sind von der Gewährleistung ausgeschlossen.
- Bevor Sie Benzin bei einer Ihnen unbekanntem Tankstelle kaufen, stellen Sie fest, ob das Benzin Alkohol enthält, und wenn ja, welchen Alkohol und in welcher Konzentration.

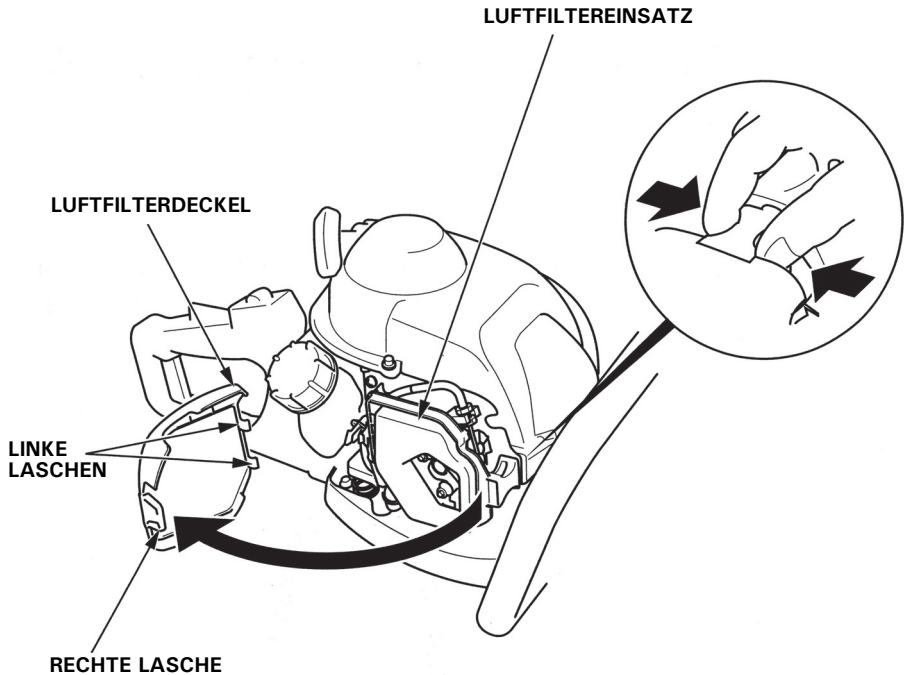
Wenn der Motor mit einem bestimmten Benzin auffällige Symptome entwickelt, steigen Sie auf ein Benzin um, das bekanntermaßen weniger als die empfohlene Menge Alkohol enthält.

3. Luftfiltereinsätze prüfen

VORSICHT:

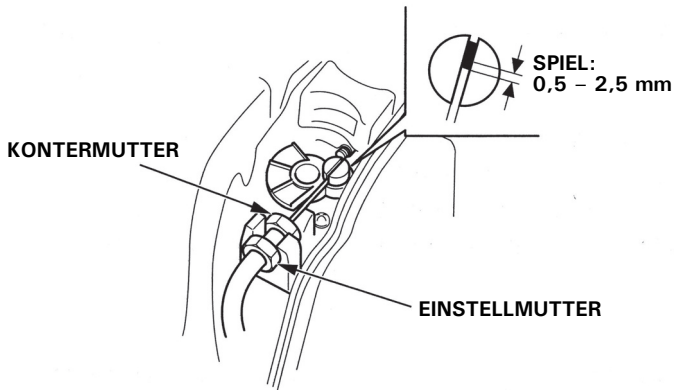
Den Motor nie ohne Luftfilter betreiben. Dadurch wird der Verschleiß des Motors vorangetrieben.

1. Den Chokehebel in die GESCHLOSSENE Stellung bringen (siehe Seite 23).
2. Die rechte Lasche rechts am Luftfilterdeckel und die zwei linken Laschen aushaken und den Luftfilterdeckel abnehmen.
3. Prüfen, ob der Luftfiltereinsatz verschmutzt oder zugesetzt ist. Einen verschmutzten Luftfiltereinsatz reinigen (siehe Seite 54).
4. Den Luftfiltereinsatz wieder einbauen.
5. Den Luftfilterdeckel mit den linken Laschen einsetzen und dann die rechte Lasche einrasten.



4. Gaszugspiel prüfen

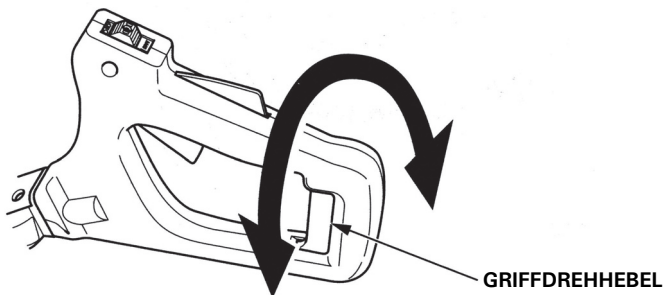
- Das Gaszugspiel am Seilzugende prüfen. Dazu mehrmals den Gashebel ziehen und loslassen. Der Sollwert ist 0,5 – 2,5 mm am Ende des Gaszugs.



- Kontrollieren, dass der Gashebel normal beweglich ist und selbsttätig in die Leerlaufstellung zurückkehrt.

5. Griff hinten prüfen (HHH25D)

- Kontrollieren, dass der Griff hinten bei gezogenem Griffdrehhebel gedreht werden kann.
- Der Griffdrehhebel muss beim Loslassen in der mittleren, linken und rechten Stellung einrasten.



6. Messer inspizieren

▲ WARNUNG

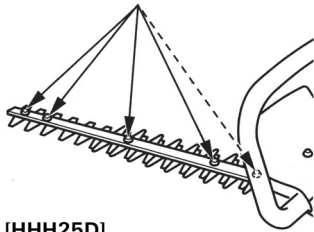
Aus Sicherheitsgründen untersuchen Sie vor dem Motorstart das Messer auf Verschleiß und Schäden und kontrollieren den Anzug der Schrauben und Muttern. Der Einsatz der Heckenschere mit einem verschlissenen, gerissenen oder anderweitig schadhaften Messer bringt Personen und Sachen in Gefahr. Ein Messer, das Verschleiß, Risse oder andere Schäden zeigt, kann bei der Arbeit Metallsplinter freisetzen. Es besteht schwere und tödliche Verletzungsgefahr für den Bediener und für Personen in der Umgebung.

VORSICHT:

Bei Arbeiten im Bereich des Messers die Hände mit schweren Handschuhen schützen.

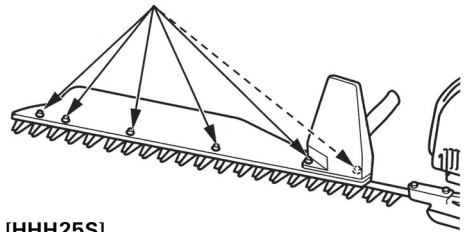
1. Den Motor abstellen und kontrollieren, dass der Motorschalter AUS geschaltet ist.
2. Die Messerabdeckung vom Messer nehmen (Schutzhandschuhe tragen).
3. Prüfen, ob Schrauben oder Muttern locker sind. Lockere Schrauben und Muttern anziehen. Wenn dies nicht gelingt, wenden Sie sich an Ihren Honda-Vertragshändler.

SCHRAUBEN / MUTTERN



[HHH25D]

SCHRAUBEN / MUTTERN



[HHH25S]

4. Das Messer und den Schutz auf Verschleiß, Deformation, Risse, Hitzeschäden (Verfärbung) und andere Schäden prüfen. Wenn Auffälligkeiten festgestellt werden, wenden Sie sich an Ihren Honda-Vertragshändler.



NORMAL



VERSCHLISSEN



VERBOGEN

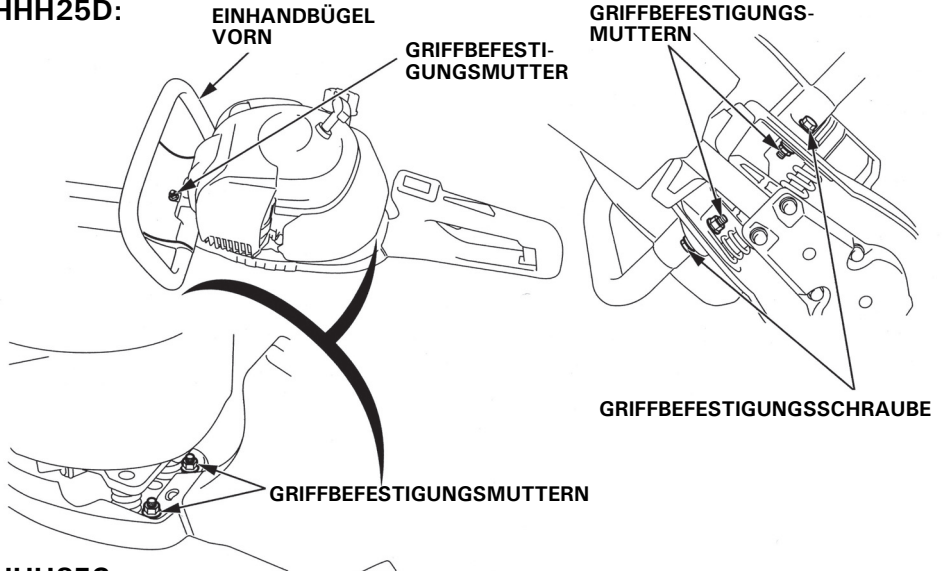


GERISSEN

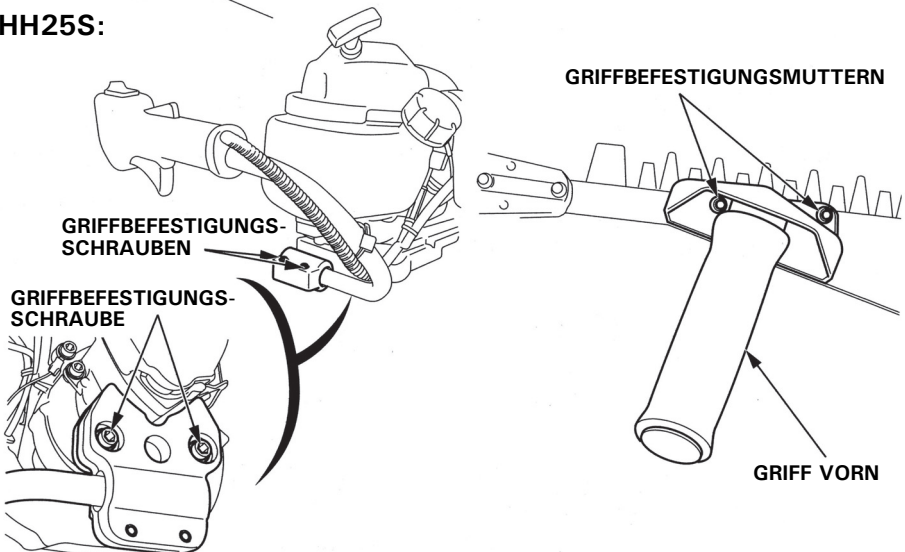
7. Alle Schrauben und Muttern prüfen

1. Alle Schrauben und Muttern auf Lockerung prüfen. Bei Bedarf anziehen.
2. Prüfen, ob am Handgriff Befestigungsschrauben oder -muttern locker sind, bei Bedarf anziehen.

HHH25D:



HHH25S:



6. MOTOR STARTEN

▲ WARNUNG

- Das Abgas enthält giftiges Kohlenmonoxid. Den Motor nie in einem umschlossenen Raum betreiben. Für ausreichende Be- und Entlüftung sorgen.
- Den Motor an einem von Personen, Haustieren und Gebäuden entfernten Ort starten. Sichergehen, dass der Arbeitsbereich frei von Hindernissen ist.

VORSICHT:

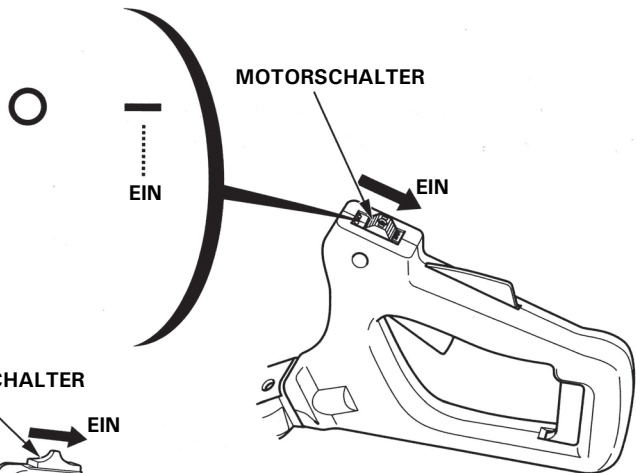
Die Heckenschere zum Starten des Motors grundsätzlich sicher absetzen. Wenn die Schere eine unerwartete Bewegung vollführt, besteht Verletzungsgefahr für die Beine und andere Körperteile.

HINWEIS:

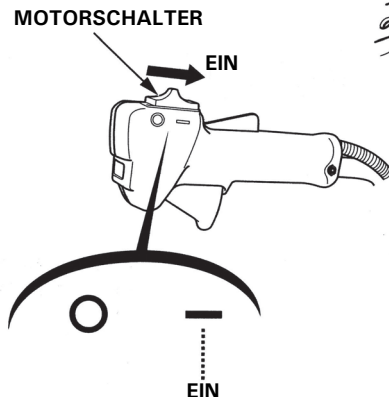
Darauf achten, dass der Bereich um die Heckenschere frei von Hindernissen ist und das Messer keinen Kontakt mit dem Boden oder anderem hat.

1. Die Messerabdeckung von der Heckenschere nehmen.
2. Den Motorschalter EIN schalten.

HHH25D:

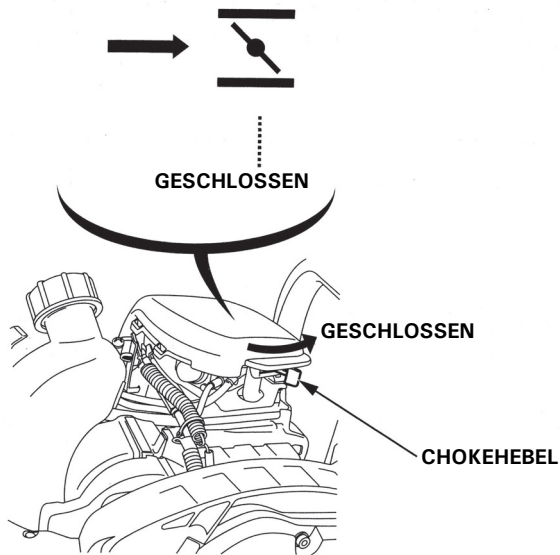


HHH25S:

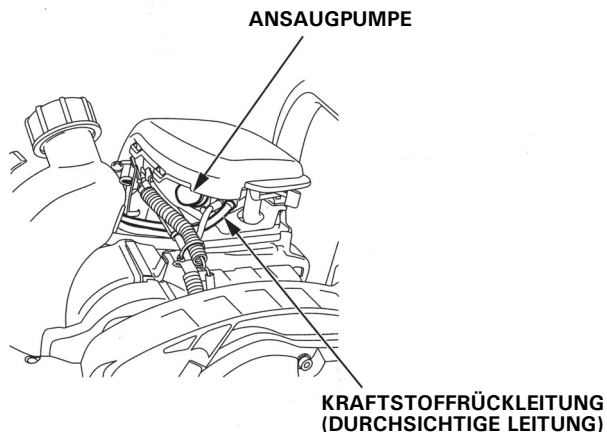


3. Zum Starten eines kalten Motors den Chokehebel in die GESCHLOSSENE Stellung bringen.

Zum Neustarten eines warmen Motors den Chokehebel in der OFFENEN Stellung belassen.



4. Mehrmals die Ansaugpumpe betätigen, bis Kraftstoff in der Kraftstoffrückleitung (durchsichtigen Leitung) zu sehen ist.



5. Den Handgriff gegenhalten und den Startergriff leicht ziehen, bis Widerstand fühlbar ist, dann zügig in die unten gezeigte Pfeilrichtung durchziehen. Den Startergriff langsam zurückführen.
Vergewissern Sie sich, bevor Sie den Startergriff ziehen, dass sich keine Personen und Tiere in der Nähe der Heckenschere – und insbesondere hinter Ihnen – aufhalten.

HHH25D:

POSITION DES BEDIENERS
(hinten rechts von der Heckenschere)



HHH25S:

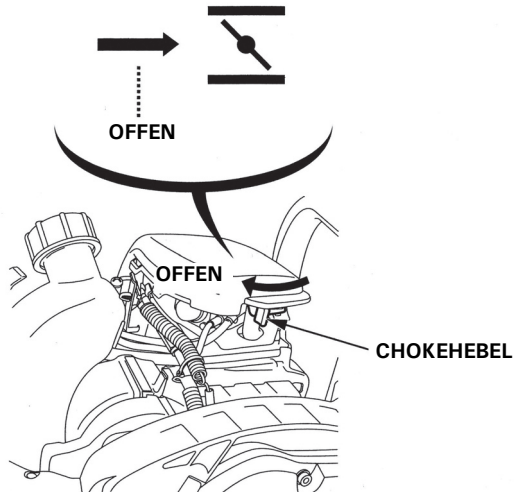
POSITION DES BEDIENERS (hinten rechts von der Heckenschere)



VORSICHT:

- Den Startergriff kräftig ziehen. Wenn hierbei die Anlassdrehzahl ausreichend hoch ist, wird ein Zündfunke gebildet, und der Motor startet. Wenn die Anlassdrehzahl zu niedrig ist, springt der Motor eventuell nicht an.
- Den ausgezogenen Startergriff nicht zurückschnalzen lassen, sondern kontrolliert zurückführen, weil sonst Teile der Heckenschere beschädigt werden können.
- Den Seilzugstarter nicht bei laufendem Motor betätigen. Der Motor kann Schaden nehmen.
- Beim Ziehen des Seilzugstarters nicht den Gashebel betätigen. Das Messer geht abrupt in Bewegung, und es entsteht eine gefährliche Situation.

6. Wenn der Chokehebel zum Motorstart in die GESCHLOSSENE Stellung gebracht wurde, den Hebel nach und nach in die OFFENE Stellung bringen sowie der Motor warmläuft.



Warmstart

Es kann sein, dass der Motor, wenn er bei höheren Außentemperaturen nur kurz abgestellt wurde, nicht sofort wieder anspringt.

Gehen Sie bei Bedarf folgendermaßen vor:

WICHTIGER SICHERHEITSHINWEIS

Vor den unten beschriebenen Schritten den Motorschalter AUS schalten. Dadurch wird verhindert, dass der Motor startet und mit höchster Drehzahl läuft, wenn der Gashebel auf Vollgas steht. Wenn beim Motorstart der Gashebel in der Vollgasstellung ist, läuft das Messer mit Höchstgeschwindigkeit an. Es besteht Verletzungsgefahr.

1. Den Motorabstellschalter AUS schalten.
2. Den Chokehebel in die OFFENE Stellung bringen.
3. Den Gashebel in der Vollgasstellung (SCHNELL) halten.
4. Den Startergriff 3 bis 5 Mal ziehen.
5. Den Motor wie unter MOTOR STARTEN auf der Seite 34 beschrieben mit dem Chokehebel in der OFFENEN Stellung starten.

Vergaseranpassungen für den Betrieb in Höhenlagen

In hohen Lagen über NN ist das Standard-Kraftstoff-Luft-Gemisch des Vergasers zu fett. Die Leistung ist geringer, der Kraftstoffverbrauch höher. Ein sehr fettes Gemisch hat außerdem zur Folge, dass die Zündkerze verschmutzt und der Motor Startschwierigkeiten entwickelt. Der Betrieb in Höhenlagen, auf die der Motor nicht ausgelegt ist, führt auf Dauer zu erhöhten Abgaswerten.

Die Anpassung des Motors an höhere Lagen über NN kann mit bestimmten Vergasermodifikationen erreicht werden. Wenn die Heckenschere regelmäßig in Höhenlagen über 1 500 m eingesetzt wird, lassen Sie diese Vergasermodifikation von Ihrem Honda-Vertragspartner vornehmen. Mit den erforderlichen Vergaseranpassungen erfüllt der Motor in hohen Lagen über NN während seiner gesamten Nutzungsdauer die einschlägigen Emissionsgrenzwerte.

Auch mit der entsprechenden Umstellung des Vergasers ist die Motorleistung pro 300 m zusätzliche Höhe um circa 3,5 % reduziert. Ohne die Vergaserumstellung ist die Leistungseinbuße deutlich höher.

VORSICHT:

Die Vergaserumstellung auf den Betrieb in höheren Lagen über NN bedeutet, dass sich ein für niedrige Höhenlagen zu mageres Luft-Kraftstoff-Gemisch ergibt. Beim Einsatz des Geräts in Höhenlagen unter 1 500 m mit modifiziertem Vergaser wird der Motor zu heiß und kann schweren Schaden nehmen. Lassen Sie den Vergaser von Ihrem Kundendiensthändler jeweils auf die Höhenlage umrüsten, in der der Motor betrieben werden soll.

7. ARBEITEN MIT DER HECKENSCHERE

Lesen Sie die Sicherheitshinweise auf den Seiten 5 bis 14, bevor Sie die Heckenschere in Gebrauch nehmen, und halten Sie sich bei der Arbeit an die beschriebenen Maßregeln.

Wenn ungewöhnliche Geräusche, Gerüche oder Vibrationen auftreten oder Sie andere Auffälligkeiten feststellen, stellen Sie sofort den Motor ab, und wenden Sie sich an Ihren Honda-Vertragshändler.

Fassen Sie die Handgriffe mit beiden Händen.

HHH25D: Fassen Sie mit einer Hand den Einhandbügel vorn und mit der anderen Hand den Griff hinten (Gasgriff).

HHH25S: Fassen Sie mit der rechten Hand den Griff vorn und mit der linken Hand den Griff hinten (Gasgriff).

VORSICHT:

Die Heckenschere nicht einhändig führen.

▲ WARNUNG

Die Heckenschere nicht so führen, dass das laufende Messer mit den Füßen Berührung erhalten kann. Es besteht schwere Verletzungsgefahr.

HINWEIS:

Diese Heckenschere ist für das Beschneiden von Hecken mit Zweigdurchmessern bis 8 mm bestimmt. Die Heckenschere darf nicht zum Abtrennen dickerer Zweige oder Äste und auch nicht zum Schneiden anderer (härterer) Materialien als Holz eingesetzt werden. Es besteht Gefahr, dass das Messer und Antriebsteile des Getriebes Schaden nehmen oder vorzeitig verschleißen.

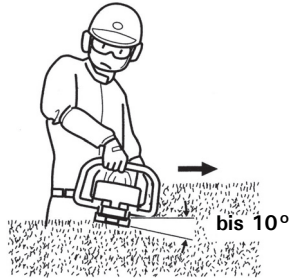
Grundsätzliches:

- Führen Sie die Heckenschere mit Vorsicht und gleichmäßigen Bewegungen so, dass das Abgas nicht in die Hecke ausgeleitet wird.
- Erhöhen Sie mit dem Gashebel nach dem Motorstart die Motordrehzahl, so dass das Messer in Bewegung geht, und passen Sie die Motordrehzahl dann der zur verrichtenden Arbeit an.

VORSICHT:

Die Motordrehzahl zu Beginn der Arbeit mit der Heckenschere erhöhen. Zu niedrige Drehzahlen sind für den Motor schädlich.

- Zum Beschneiden der Oberseite führen Sie das Messer nach rechts und links hin und her.
- Für den Feinschnitt neigen Sie die Heckenschere bis zu 10° Grad.



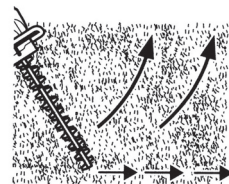
- Bei der Arbeit mit der Heckenschere soll das Messer nach außen zeigen.

VORSICHT:

Das Messer nicht in Richtung Körper richten und während der Arbeit von dem Messer fernbleiben.

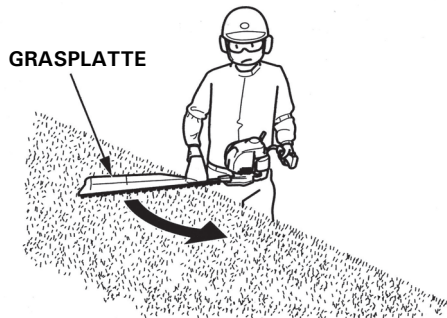


- Zum Beschneiden der Seiten führen Sie das Messer von unten nach oben.



HHH25S:

- Das anfallende Schnittgut belassen Sie während der Arbeit auf der Grasplatte.

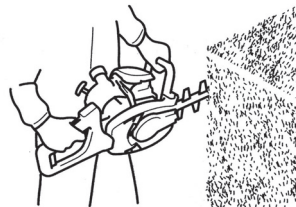
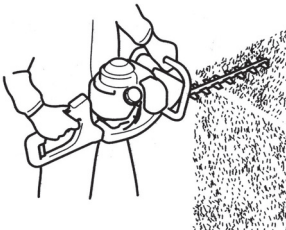


HHH25D:

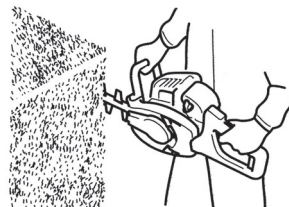
- Sie können den Griff hinten in drei Stellungen drehen (MITTE und 90° nach rechts oder links).
 - Oberseite: Zum Beschneiden der Hecke an der Oberseite drehen Sie den Griff in die MITTLERE Position.
 - Seiten: Zur Arbeit mit dem Messer links vom Körper drehen Sie den Griff hinten um 90° nach links (gegen den Uhrzeigersinn). Zur Arbeit mit dem Messer rechts vom Körper drehen Sie den Griff hinten um 90° nach rechts (im Uhrzeigersinn) (siehe Seite 42).
- Zum Beschneiden der Hecke an den Seiten ist das Messer zur Hecke und der Motor zum Körper gerichtet.

Den Griff hinten um 90° nach rechts drehen.

MITTLERE Position

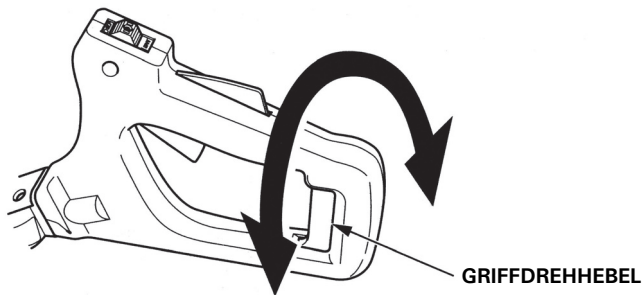


Den Griff hinten um 90° nach links drehen.



Griff hinten drehen (HHH25D)

1. Zum Drehen des Griffs hinten den Motor abstellen.
 2. Den Gashebel und den Gasfeststellhebel loslassen, den Griffdrehhebel ziehen und den Griff nach rechts oder links drehen.
 3. Der Griff hinten muss in der jeweiligen Stellung hörbar einrasten, der Griffdrehhebel selbsttätig in die Ausgangsstellung zurückgehen.
- Gashebel, Gasfeststellhebel und Griffdrehhebel nicht gleichzeitig betätigen. Das Gerät kann Schaden nehmen.



- Auf Gleichgewicht und sicheren Stand achten.
- Das Messer unter Kniehöhe halten.
- Alle Teile des Körpers vom Messer und von heißen Teilen fernhalten.

8. MOTOR ABSTELLEN

1. Den Gashebel und den Gasfeststellhebel freigeben.
2. Den Motorabstellschalter AUS schalten.
Beobachten, ob das Messer stehenbleibt.
3. Vor dem Absetzen der Heckenschere auf dem Boden sichergehen, dass der Motor aus ist und das Messer steht.

VORSICHT:

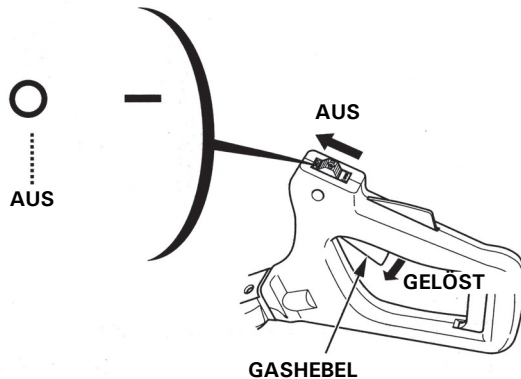
Auch ohne Antrieb durch den Motor läuft das Messer durch die Trägheit seiner Masse noch einige Sekunden nach, bevor es stehenbleibt.

4. Nach dem Gebrauch die Messerabdeckung über dem Messer anbringen.

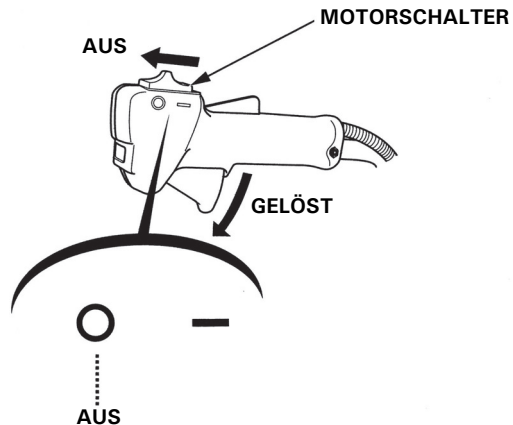
VORSICHT:

Das Messerwerk bleibt nach dem Motorstopp nicht sofort stehen.

HHH25D:



HHH25S:



9. WARTUNG

▲ WARNUNG

- Die Heckenschere zur Durchführung von Wartungsarbeiten auf eine ebene Fläche setzen und den Motor abstellen. Der Motorschalter muss AUS geschaltet sein, damit der Motor nicht anspringen kann.
- Die Wartungsarbeiten sollen von einem Honda-Vertragshändler durchgeführt werden, sofern der Eigentümer nicht über die entsprechenden Werkzeuge und fachliche Qualifikation verfügt.

VORSICHT:

Für die Wartung und Reparatur sollen Honda-Originalteile oder gleichwertige Teile verwendet werden. Austauschteile von minderer Qualität können Schäden an der Heckenschere nach sich ziehen.

Die regelmäßige Inspektion und Einstellung der Honda HHH25D/ HHH25S sind wichtig, damit die Leistungsfähigkeit des Geräts erhalten bleibt. Mit der sorgsamsten Pflege und Instandhaltung tragen Sie zudem positiv zur Erhaltung der Lebensdauer Ihres Geräts bei. In der Tabelle auf der Folgeseite 45 ist angegeben, welche Arbeiten dazu in welchen Abständen durchgeführt werden sollen.

Lebensdauer und Leistungsfähigkeit Ihrer Heckenschere profitieren, wenn Sie nach jedem Gebrauch Zweigreste, Blätter usw. aus dem Messer räumen.

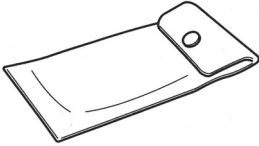
Wartungsplan

REGELMÄSSIGER SERVICE (3) Diese Arbeiten sollen in den angegebenen monatlichen oder betriebsständlichen Abständen durchgeführt werden. Maßgeblich ist der frühere Zeitpunkt.		Bei jedem Einsatz	Erster Monat oder 10 Std.	Alle 3 Monate oder 25 Std.	Alle 6 Monate oder 50 Std.	Jährlich oder 100 Std.	Alle 2 Jahre oder 300 Std.	Siehe Seite
PUNKT								
Motoröl	Füllstand prüfen	o						25
	Wechseln		o		o			47
Luftfilter	Prüfen	o						30
	Reinigen			o (1)				49
Zündkerze	Prüfen, einstellen					o		50
	Austauschen						o	50
Gaszug	Prüfen	o						31
Gashebel	Prüfen	o						31
Griff hinten (HHH25D)	Prüfen	o						31
Messer	Prüfen	o						32
Messerschutz	Prüfen	o						32
Motorkühlrippen	Prüfen				o			54
Muttern, Schrauben, Befestigungsmittel	Prüfen (Nachziehen bei Bedarf)	o						33
Funkensperre (modellabhängig)						o		52
Kraftstofftank	Reinigen					o		56
Kraftstoff-Filter	Prüfen					o		55
Kupplungsbacken und -trommel	Prüfen				o (2)			—
Getriebegehäuse	Fett	Jährlich oder alle 20 Std. (2)						—
Leerlaufdrehzahl	Prüfen, einstellen		o (2)		o (2)			—
Ventilspiel	Prüfen, einstellen					o (2)		—
Brennraum	Reinigen	Alle 300 Std. (2)						—
Kraftstoffleitungen	Prüfen	Alle 2 Jahre (bei Bedarf austauschen) (2)						—
Ölleitung	Prüfen	Alle 2 Jahre (bei Bedarf austauschen) (2)						—

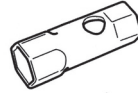
- (1)Wartung in kürzeren Intervallen beim Einsatz in staubiger Umgebung
 (2) Diese Wartungsarbeiten sind von einem Honda-Vertragspartner auszuführen.
 (3) Für die Wartungsintervalle sind die protokollierten Betriebsstunden maßgeblich.

Werkzeugsatz

Mit den vorhandenen Werkzeugen können Arbeiten, die im Rahmen der regelmäßigen Pflege und Wartung anfallen, sowie einfache Einstellungen und Reparaturen durchgeführt werden.



WERKZEUGTASCHE



ZÜNDKERZENSCHLÜSSEL



SCHLÜSSEL



ZÜNDKERZENSCHLÜSSELGRIFF



SECHSKANTSCHLÜSSEL

1. Motorölwechsel

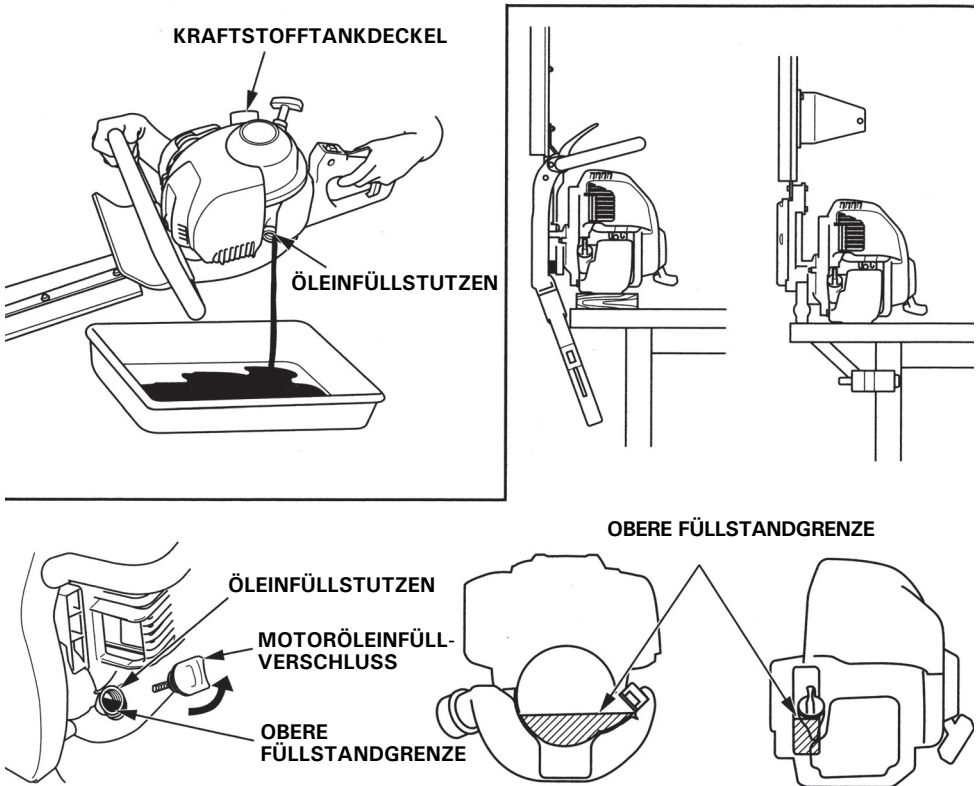
HINWEIS:

Zum Entleeren des Öls soll der Motor noch warm sein, damit das Öl rasch und vollständig abläuft.

1. Kontrollieren, dass der Kraftstofftankdeckel fest angezogen ist.
2. Den Öleinfüllverschluss ausbauen, die Heckenscheren in Richtung Öleinfüllstutzen neigen und das Öl in den Auffangbehälter gießen.
3. Mit dem empfohlenen Öl neu befüllen (siehe Seite 26) und den Ölstand prüfen (siehe Seite 25).
4. Den Öleinfüllverschluss einbauen.

MOTORÖLMENGE: 0,08 l

Nach dem Umgang mit Altöl die Hände mit Wasser und Seife waschen.



HINWEIS:

Motoraltöl bitte vorschriftsmäßig und umweltverträglich entsorgen. Wir empfehlen, das Altöl in einem versiegelten Behälter bei einem örtlichen Recyclingbetrieb oder einer Ölservicestation zur Entsorgung abzugeben. Altöl nicht in den Hausmüll geben, nicht ins Erdreich und nicht in Abflüsse schütten.

2. Wartung des Luftfilters

Ein schmutziger Luftfilter behindert den Luftstrom zum Vergaser. Die regelmäßige Wartung des Luftfilters ist wichtig für die normale Funktion des Vergasers und in kürzeren Abständen erforderlich, wenn die Heckenscherre in besonders staubiger Umgebung betrieben wird.

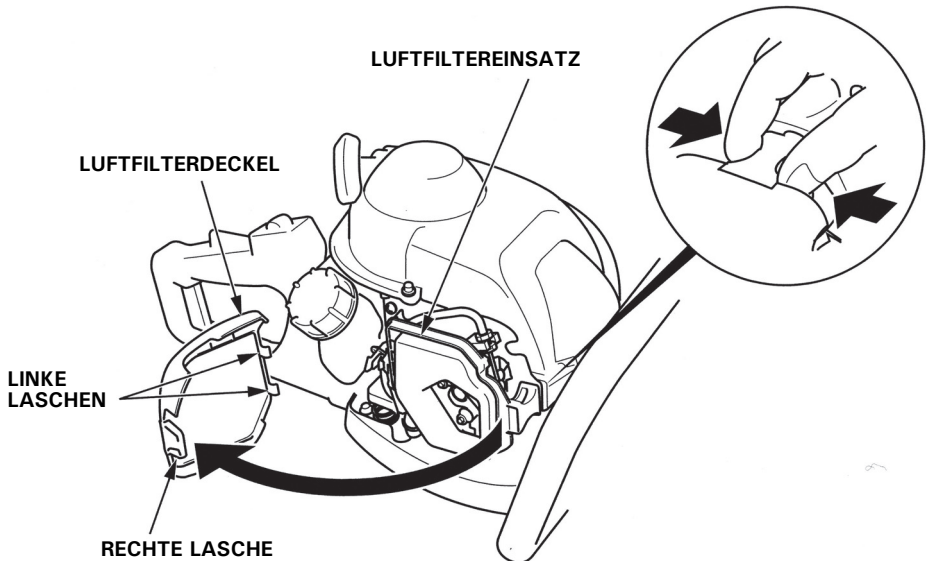
▲ WARNUNG

Den Luftfiltereinsatz nie mit Benzin oder Lösungsmitteln mit niedrigem Entflammungspunkt reinigen. Es besteht Feuer- und Explosionsgefahr.

VORSICHT:

Den Motor nie ohne Luftfilter betreiben. Dadurch wird der Verschleiß des Motors vorangetrieben.

1. Den Chokehebel in die GESCHLOSSENE Stellung bringen (siehe Seite 23).
2. Die rechte Lasche rechts am Luftfilterdeckel und die zwei linken Laschen aushaken und den Luftfilterdeckel abnehmen.
3. Den Einsatz in einem nicht entflammarem oder Lösungsmittel mit hohem Entflammungspunkt waschen und vollständig trocknen lassen.
4. Den Einsatz mit sauberem Motoröl tränken und überschüssiges Öl ausdrücken.
5. Den Luftfiltereinsatz wieder einbauen.
6. Den Luftfilterdeckel mit den linken Laschen einsetzen und dann die rechte Lasche einrasten.



3. Wartung der Zündkerze

Empfohlene Zündkerze: CMR5H (NGK)

Für die normale Funktion des Motors ist wichtig, dass der Elektrodenabstand stimmt und die Zündkerze frei von Ablagerungen ist.

⚠ WARNUNG

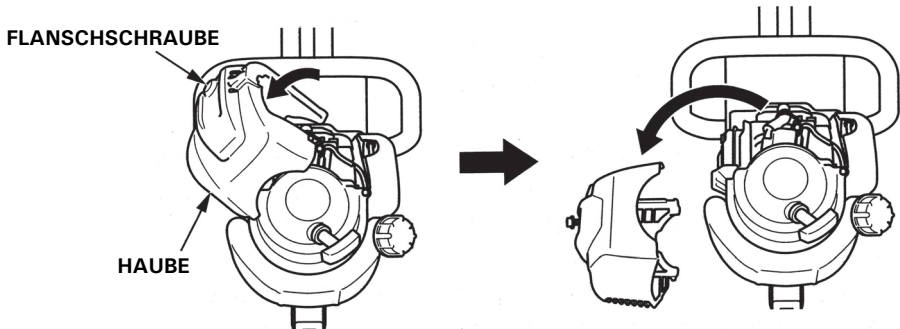
Wenn der Motor gelaufen ist, ist der Schalldämpfer sehr heiß. Den Schalldämpfer nicht berühren.

VORSICHT:

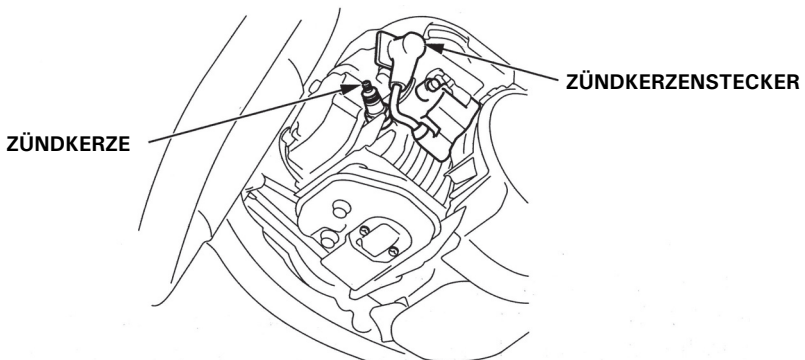
Keine Zündkerze mit falschem Wärmewert verwenden.

1. Die Flanschschraube mit einem Sechskantschlüssel lösen.
2. Die Haube nach links schieben und abnehmen.

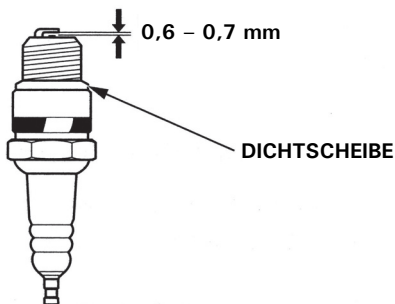
Bei ausgebauter Motorhaube nicht den Startergriff ziehen und den Motor starten. Unter der Abdeckung befinden sich drehende und heiße Teile.



3. Den unteren Zündkerzenbereich reinigen.
4. Den Zündkerzenstecker trennen und die Zündkerze mit dem passenden Zündkerzenschlüssel ausbauen.



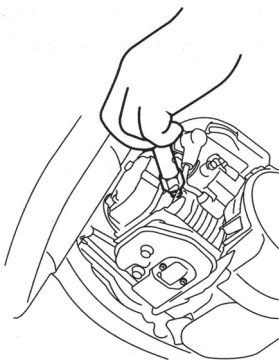
-
- Die Zündkerze einer Sichtprüfung unterziehen. Die Zündkerze nicht wieder verwenden, wenn Verschleiß sichtbar oder der Isolator gerissen oder gesplittert ist. Eine wiederzuverwendende Zündkerze mit einer Drahtbürste reinigen.
 - Den Elektrodenabstand mit einer Fühlerlehre messen. Zur Korrektur bei Bedarf die Seitenelektrode biegen.
Vorgeschriebener Abstand:
0,6 – 0,7 mm



- Kontrollieren, dass die Dichtscheibe in gutem Zustand ist, und die Zündkerze von Hand einschrauben, damit das Gewinde nicht verkantet.
- Die Zündkerze einschrauben, bis sie ansitzt, und danach mit einem Zündkerzenschlüssel anziehen, so dass die Dichtscheibe unter Druck gesetzt wird.
Eine neue Zündkerze dazu mit dem Zündkerzenschlüssel eine weitere 1/2 Drehung anziehen. Eine wiederverwendete Zündkerze dazu mit dem Zündkerzenschlüssel eine weitere 1/8 – 1/4 Drehung anziehen.

VORSICHT:

Der richtige Anzug der Zündkerze ist wichtig. Wenn der Anzug nicht stimmt, kann die Zündkerze überhitzen, und es entsteht ein Motorschaden.



- Den Zündkerzenstecker aufsetzen.
- Die Haube einbauen und die Flanschschraube anziehen.
Beim Einbau der Haube darauf achten, dass die Dichtung nicht umgestülpt oder verformt wird.

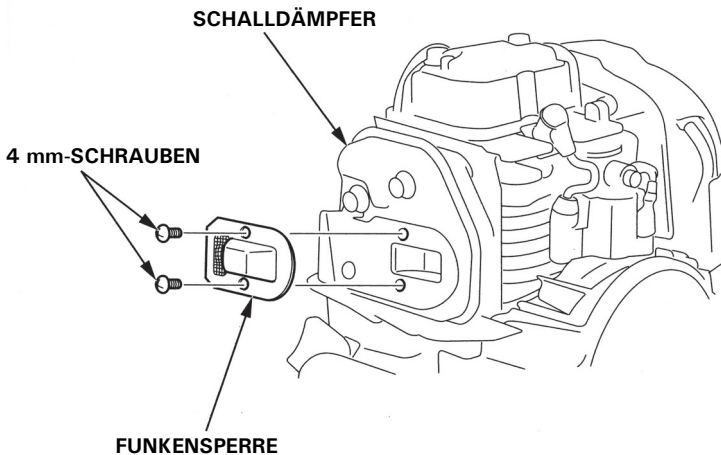
4. Wartung der Funkensperre (modellabhängig)

▲ WARNUNG

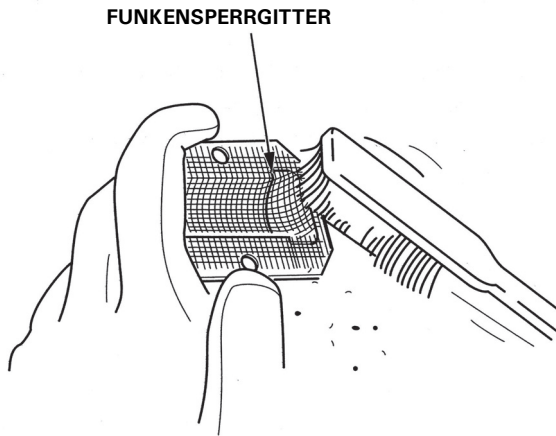
Wenn der Motor gelaufen ist, ist der Schalldämpfer sehr heiß. Den Schalldämpfer nicht berühren.

Die Funkensperre muss alle 100 Stunden gewartet werden, damit sie ihre Funktion wie vorgesehen erfüllt.

1. Die Flanschschraube mit einem Sechskantschlüssel lösen (siehe Seite 50).
2. Die Haube nach links schieben und abnehmen (siehe Seite 50).
Bei ausgebauter Motorhaube nicht den Startergriff ziehen und den Motor starten.
Unter der Abdeckung befinden sich drehende und heiße Teile.
3. Die 4 mm-Schrauben aus der Funkensperre bauen und die Funkensperre vom Schalldämpfer trennen.

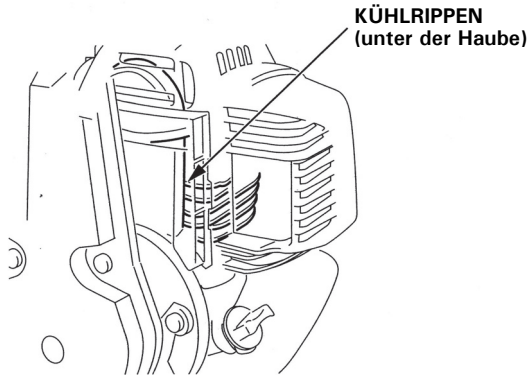


-
4. Ölkohleanlagerungen am Funkensperrgitter mit einer Bürste entfernen.
Das Gitter dabei nicht verletzen.
Die Funkensperre darf keine Risse oder Löcher haben. Wenn Schäden festgestellt werden oder die Funkensperre stark verschmutzt ist, wenden Sie sich an Ihren Honda-Händler.
 5. Die Funkensperre in umgekehrter Reihenfolge einbauen.
 6. Die Haube einbauen und die Flanschschraube anziehen.
Beim Einbau der Haube darauf achten, dass die Dichtung nicht umgestülpt oder verformt wird.



5. Inspektion der Motorkühlrippen

Die Kühlrippen durch die Haube sichtprüfen. Wenn sich zwischen den Rippen trockenes Gras, Laub und Schmutz gefangen haben, wenden Sie sich zur Reinigung an Ihren Honda-Vertragshändler.

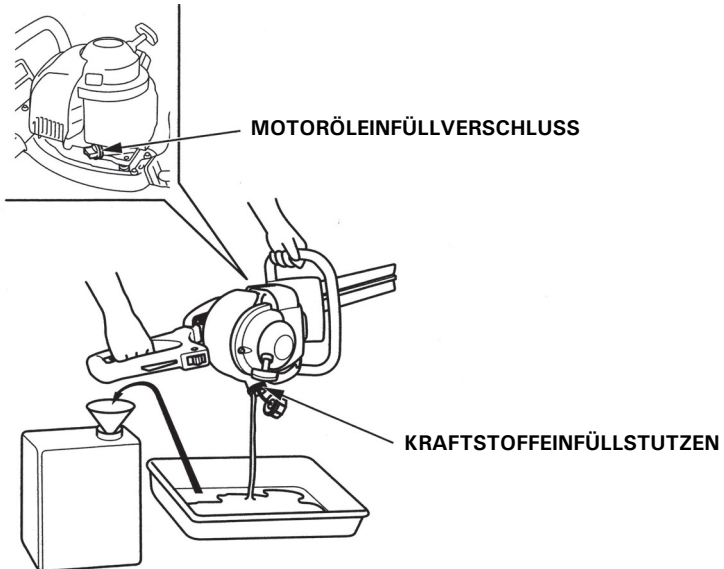


6. Wartung des Kraftstoff-Filters

▲ WARNUNG

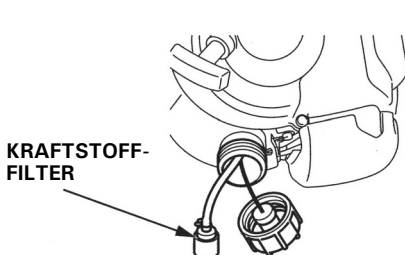
Benzin ist extrem entflammbar und unter bestimmten Bedingungen explosionsfähig. Nicht rauchen und offenes Feuer und Funken fernhalten.

1. Kontrollieren, dass der Motoröleinfüllverschluss fest angezogen ist.
2. Den Kraftstofftankdeckel ausbauen, die Heckenschere in Richtung Kraftstoffeinfüllstutzen neigen und den Kraftstoff in einen zugelassenen Benzinkanister gießen.

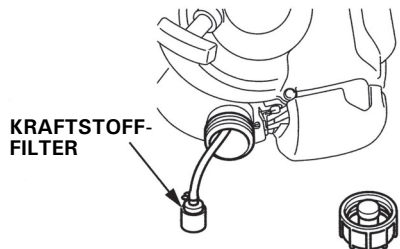


3. Den Kraftstoff-Filter mit einem Stück Draht vorsichtig aus dem Kraftstoffeinfüllstutzen ziehen.
4. Prüfen, ob der Kraftstoff-Filter verschmutzt ist. Einen verschmutzten Kraftstoff-Filter in einem nicht entflammaren oder Lösungsmittel mit hohem Entflammungspunkt waschen. Einen sehr schmutzigen Kraftstoff-Filter austauschen.

< Ausführung für Europa >



< Außer Ausführung für Europa >



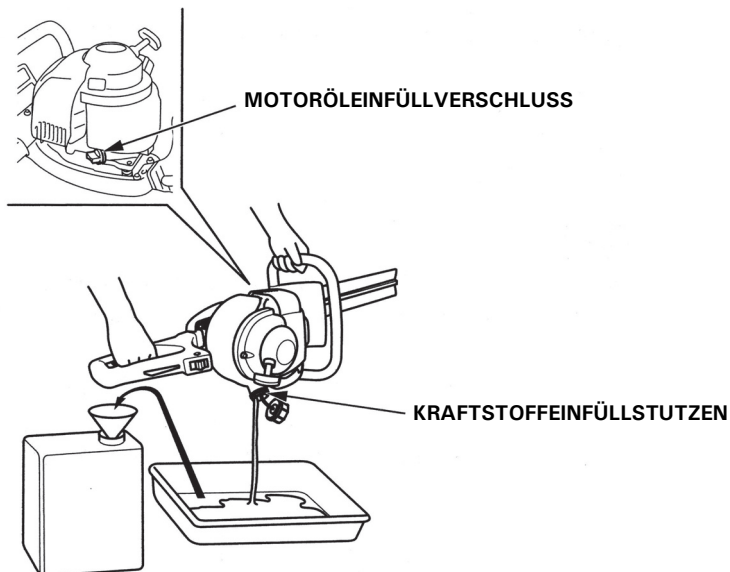
5. Den Kraftstoff-Filter wieder in den Kraftstofftank bauen und den Kraftstofftankdeckel anziehen.

7. Reinigung des Kraftstofftanks

▲ WARNUNG

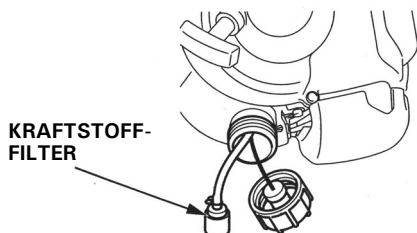
Benzin ist extrem entflammbar und unter bestimmten Bedingungen explosionsfähig. Nicht rauchen und offenes Feuer und Funken fernhalten.

1. Kontrollieren, dass der Motoröleinfüllverschluss fest angezogen ist.
2. Den Kraftstofftankdeckel ausbauen, die Heckenschere in Richtung Kraftstoffeinfüllstutzen neigen und den Kraftstoff in einen zugelassenen Benzinkanister gießen.

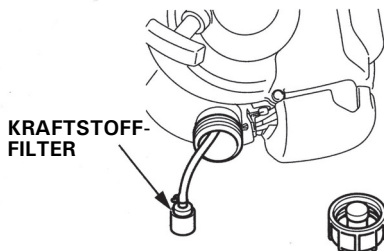


3. Den Kraftstoff-Filter mit einem Stück Draht vorsichtig aus dem Kraftstoffeinfüllstutzen ziehen.
4. Den Kraftstofftank innen mit einem nicht entflammaren oder Lösungsmittel mit hohem Entflammungspunkt spülen, um Wasser und Schmutz auszuräumen.

< Ausführung für Europa >



< Außer Ausführung für Europa >



5. Den Kraftstoff-Filter wieder in den Kraftstofftank bauen und den Kraftstofftankdeckel anziehen.

10. AUFBEWAHRUNG

Die gute Vorbereitung Ihrer Heckenschere auf die Einlagerung lohnt sich. Ihr Gerät bleibt dadurch innerlich und äußerlich in bestem Zustand. Unten ist beschrieben, wie Sie dem Angriff von Rost und Korrosion vorbeugen.

VORSICHT:

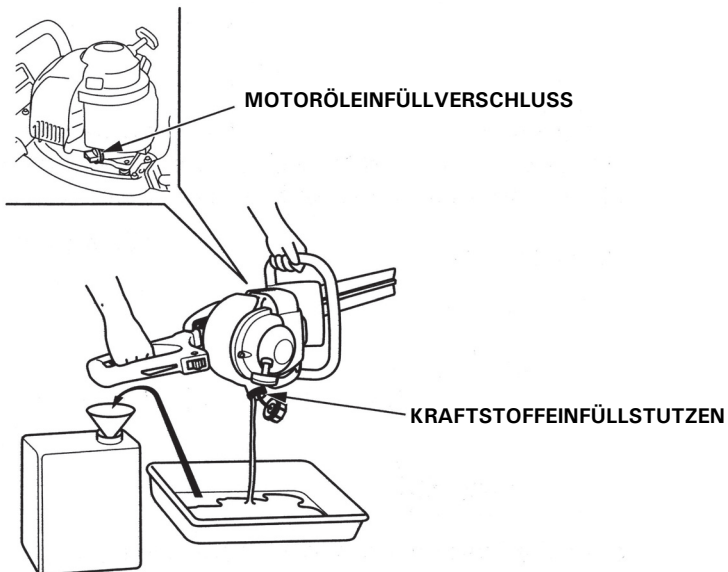
- **Der Motor ist unmittelbar nach dem Betrieb der Heckenschere sehr heiß. Vor den beschriebenen Schritten abkühlen lassen.**
- **Die Heckenschere auf eine ebene Fläche setzen und den Zündkerzenstecker ausbauen, damit der Motor nicht anspringen kann.**

1. Alle Außenflächen reinigen, eventuelle Lackschäden ausbessern und andere rostanfällige Stellen mit einem dünnen Ölfilm überziehen.
2. Kraftstoff entleeren....

▲ WARNUNG

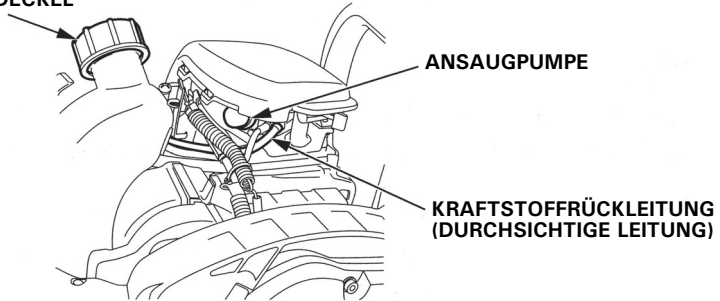
Benzin ist extrem entflammbar und unter bestimmten Bedingungen explosionsfähig. Nicht rauchen und offenes Feuer und Funken fernhalten.

- a. Kontrollieren, dass der Motoröleinfüllverschluss fest angezogen ist.
- b. Den Kraftstofftankdeckel ausbauen, die Heckenschere in Richtung Kraftstoffeinfüllstutzen neigen und den Kraftstoff in einen zugelassenen Benzinkanister gießen.



-
- c. Mehrmals die Ansaugpumpe betätigen, bis der restliche Kraftstoff in der Kraftstoffrückleitung (durchsichtigen Leitung) komplett in den Kraftstofftank zurückgeführt ist.

KRAFTSTOFFTANKDECKEL



ANSAUGPUMPE

**KRAFTSTOFFRÜCKLEITUNG
(DURCHSICHTIGE LEITUNG)**

- d. Die Heckenschere wieder in Richtung Kraftstoffeinfüllstutzen neigen und den restlichen Kraftstoff aus dem Tank in den Kanister entleeren.
e. Nachdem der Kraftstoff restlos abgelaufen ist, den Kraftstofftankdeckel einbauen und anziehen.

3. Das Motoröl wechseln (siehe Seite 47).
4. Den Luftfilter reinigen (siehe Seite 49).
5. Die Flanschschraube mit einem Sechskantschlüssel lösen und die Haube ausbauen (siehe Seite 50).
6. Die Zündkerze ausbauen (siehe Seite 50).
7. Einige Tropfen sauberes Motoröl in den Zylinder geben.
8. Die Haube provisorisch einbauen.
9. Einige Male den Startergriff ziehen, um das Öl im Zylinder zu verteilen.
10. Die Haube ausbauen und die Zündkerze wieder einbauen.
11. Die Haube einbauen und die Flanschschraube anziehen.
12. Den Startergriff langsam an den Druckpunkt ziehen.
13. Öl auf das Messer geben.
14. Die Abdeckung auf das Messer setzen.
15. Die Heckenschere für Kinder unzugänglich und vor Feuchtigkeit und Staub geschützt aufbewahren.
16. Die Heckenschere zum Schutz vor Staub abdecken.

Wenn der Motor nicht startet:

1. Ist der Motorschalter EIN geschaltet?
2. Ist Kraftstoff im Kraftstofftank (siehe Seite 27)?

▲ WARNUNG

Benzin ist extrem entflammbar und unter bestimmten Bedingungen explosionsfähig. Nicht rauchen und offenes Feuer und Funken fernhalten.

3. Erhält der Vergaser Benzin?
Zu Prüfung mehrmals die Ansaugpumpe betätigen (siehe Seite 35).
4. Ist die Zündkerze in gutem Zustand?
Die Zündkerze ausbauen und inspizieren. Die Zündkerze reinigen und trocknen und den Elektrodenabstand einstellen. Bei Bedarf austauschen (siehe Seite 50).
5. Wenn der Motor trotzdem nicht startet, geben Sie die Heckenschere an einen Honda-Vertragshändler.

Wenn im Betrieb starke Vibrationen auftreten, stellen Sie sofort den Motor ab. Kontrollieren Sie, dass das Messer richtig eingebaut und nicht locker ist, und untersuchen Sie das Messer auf Verschleiß, Risse oder andere Schäden (siehe Seite 32).

12. TECHNISCHE DATEN

Modell	HHH25D	
Produktcodebezeichnung	UTBJ	

Rahmen

Typ	60ET, 60UT	75ET, 75UT
Messertyp	Messer beidseitig	
Gesamtlänge	1 080 mm	1 220 mm
Gesamtbreite	312 mm	
Gesamthöhe	259 mm	
Trockenmasse [Gewicht]	6,3 kg	6,6 kg
Kupplung	Fliehkraftkupplung	
Messerlänge	580 mm	720 mm

Geräusche und Vibrationen

Typ		60ET	60UT	75ET	75UT
Schalldruckpegel am Ohr des Bedieners EN774: 1996/A3: 2001		92 dB (A)	—	90 dB (A)	—
Unsicherheit		3 dB (A)	—	2 dB (A)	—
Gemessener Schall-Leistungspegel (2000/14/EG, 2005/88/EG)		101 dB (A)	—	102 dB (A)	—
Unsicherheit		3 dB (A)	—	2 dB (A)	—
Garantierter Schall-Leistungspegel (2000/14/EG, 2005/88/EG)		104 dB (A)	—	104 dB (A)	—
Schalldruckpegel Australia New South Wales-Standard		—	82 dB (A)	—	82 dB (A)
Hand-Arm-Schwingungen (EN774: 1996/A3: 2001)	Vorn	5,2 m/s ²		5,2 m/s ²	
	Hinten	6,9 m/s ²		6,9 m/s ²	
Unsicherheit (EN12096: 1997 Anhang D)	Vorn	2,1 m/s ²		2,1 m/s ²	
	Hinten	2,8 m/s ²		2,8 m/s ²	

Technische Änderungen vorbehalten.

Motor

Motormodell	GX25T
Motorbezeichnung	GCA1T
Motor	4-Takt-Einzylindermotor mit oben liegender Nockenwelle
Hubraum	25,0 cm ³
Bohrung × Hub	35,0 × 26,0 mm
Motornettoleistung (gemäß SAE J1349*)	0,72 kW (1,0 PS)/7 000 U/min
Max. Motornettodrehmoment (gemäß SAE J1349*)	1,0 N·m (0,10 kgf·m)/5 000 U/min
Kühlsystem	Gebläsekühlung
Zündsystem	Transistor-Magnetzündung
Ölmenge	0,08 l
Kraftstofftankinhalt	0,45 l
Zündkerze	NGK: CMR5H

*: Bei der in diesem Dokument angegebenen Nennleistung des Motors handelt es sich um die an einem Serienmotor des Motormodells auf dem Prüfstand gemäß SAE J1349 ermittelte Nettoleistungsabgabe bei 7 000/min (Nettoleistung) und bei 5 000/min (Nettodrehmoment). Die Werte anderer Motoren aus der Serienproduktion können hiervon abweichen. Die tatsächliche Leistungsabgabe des im Endprodukt verbauten Motors ist von zahlreichen Faktoren wie Betriebsdrehzahl des Motors in der Anwendung, Umweltbedingungen, Wartung und anderen Variablen abhängig.

Einstelldaten

PUNKT	SOLLWERT	WARTUNG
Elektrodenabstand	0,6 – 0,7 mm	Siehe Seite: 50
Ventilspiel (kalt)	EINLASS: 0,08 ± 0,02 mm AUSLASS: 0,11 ± 0,02 mm	Wenden Sie sich an Ihren Honda-Vertragshändler.
Sonstige Informationen	Keine weiteren Einstellungen erforderlich.	

Technische Änderungen vorbehalten.

Modell	HHH25S
Produktcodebezeichnung	UTAJ

Rahmen

Typ	75ET
Messertyp	Messer einseitig
Gesamtlänge	1 125 mm
Gesamtbreite	310 mm
Gesamthöhe	259 mm
Trockenmasse [Gewicht]	5,8 kg
Kupplung	Fliehkraftkupplung
Messerlänge	720 mm

Geräusche und Vibrationen

Typ	75ET	
Schalldruckpegel am Ohr des Bedieners EN774: 1996/A3: 2001	90 dB (A)	
Unsicherheit	3 dB (A)	
Gemessener Schall-Leistungspegel (2000/14/EG, 2005/88/EG)	101 dB (A)	
Unsicherheit	3 dB (A)	
Garantierter Schall-Leistungspegel (2000/14/EG, 2005/88/EG)	104 dB (A)	
Schalldruckpegel Australia New South Wales-Standard	—	
Hand-Arm-Schwingungen (EN774: 1996/A3: 2001)	Vorn	12,3 m/s ²
	Hinten	5,4 m/s ²
Unsicherheit (EN12096: 1997 Anhang D)	Vorn	4,9 m/s ²
	Hinten	2,2 m/s ²

Technische Änderungen vorbehalten.

Motor

Motormodell	GX25T
Motorbezeichnung	GCA1T
Motor	4-Takt-Einzylindermotor mit oben liegender Nockenwelle
Hubraum	25,0 cm ³
Bohrung × Hub	35,0 × 26,0 mm
Motornettoleistung (gemäß SAE J1349*)	0,72 kW (1,0 PS)/7 000 U/min
Max. Motornettodrehmoment (gemäß SAE J1349*)	1,0 N·m (0,10 kgf·m)/5 000 U/min
Kühlsystem	Gebläsekühlung
Zündsystem	Transistor-Magnetzündung
Ölmenge	0,08 l
Kraftstofftankinhalt	0,45 l
Zündkerze	NGK: CMR5H

*: Bei der in diesem Dokument angegebenen Nennleistung des Motors handelt es sich um die an einem Serienmotor des Motormodells auf dem Prüfstand gemäß SAE J1349 ermittelte Nettoleistungsabgabe bei 7 000/min (Nettoleistung) und bei 5 000/min (Nettodrehmoment). Die Werte anderer Motoren aus der Serienproduktion können hiervon abweichen. Die tatsächliche Leistungsabgabe des im Endprodukt verbauten Motors ist von zahlreichen Faktoren wie Betriebsdrehzahl des Motors in der Anwendung, Umweltbedingungen, Wartung und anderen Variablen abhängig.

Einstelldaten

PUNKT	SOLLWERT	WARTUNG
Elektrodenabstand	0,6 – 0,7 mm	Siehe Seite: 50
Ventilspiel (kalt)	EINLASS: 0,08 ± 0,02 mm AUSLASS: 0,11 ± 0,02 mm	Wenden Sie sich an Ihren Honda-Vertragshändler.
Sonstige Informationen	Keine weiteren Einstellungen erforderlich.	

Technische Änderungen vorbehalten.

HONDA HHH25D/HHH25S

MANUALE DELL'UTENTE
Traduzione delle istruzioni originali



Grazie per aver scelto un tagliasiepi Honda.

Il presente manuale descrive le procedure d'uso e manutenzione del tagliasiepi Honda HHH25D/HHH25S.

Honda Motor Co., Ltd. si riserva il diritto di apportare modifiche in qualunque momento senza preavviso e senza incorrere in alcun obbligo.

Nessuna parte di questo manuale può essere riprodotta senza autorizzazione scritta.

Questo manuale va considerato come parte integrante del tagliasiepi e dovrà quindi accompagnare il prodotto anche in caso di rivendita.

Prestare particolare attenzione alle indicazioni precedute dalle seguenti parole:

▲ ATTENZIONE Indica la seria possibilità di gravi lesioni personali o di morte in caso di mancato rispetto delle istruzioni.

AVVERTENZA: Indica la possibilità di lesioni personali o alle attrezzature in caso di mancato rispetto delle istruzioni.

NOTA: Fornisce informazioni utili.

In caso di problemi o domande concernenti il tagliasiepi, rivolgersi a un concessionario Honda autorizzato.

Il tagliasiepi Honda è progettato per garantire un funzionamento sicuro e affidabile, a condizione che venga utilizzato seguendo le istruzioni.

▲ ATTENZIONE L'uso di un tagliasiepi richiede una particolare attenzione per garantire la sicurezza dell'operatore e di terzi. Leggere con attenzione il presente Manuale d'uso e manutenzione prima di utilizzare il tagliasiepi; in caso contrario potrebbero verificarsi lesioni personali o danni alle attrezzature.

- Le figure si riferiscono principalmente al tipo: HHH25D

Smaltimento

Nel rispetto dell'ambiente, non smaltire l'intero prodotto, la batteria, l'olio motore ecc. insieme agli altri rifiuti. Attenersi a quanto stabilito dalle leggi e normative locali in materia di smaltimento oppure rivolgersi al proprio concessionario autorizzato Honda.

INDICE

1. NORME DI SICUREZZA	3
2. POSIZIONE DELLE ETICHETTE DI SICUREZZA	15
Posizione marchio CE ed etichetta del livello acustico.....	16
3. IDENTIFICAZIONE DEI COMPONENTI	19
4. COMANDI	22
5. CONTROLLI PRIMA DELL'USO	25
6. AVVIAMENTO DEL MOTORE	34
Modifica del carburatore per funzionamento ad altitudini elevate ...	38
7. FUNZIONAMENTO	39
8. ARRESTO DEL MOTORE	43
9. MANUTENZIONE	44
10. RIMESSAGGIO	57
11. RICERCA GUASTI	59
12. SPECIFICHE TECNICHE	60
INDIRIZZI DEI PRINCIPALI	
DISTRIBUTORI Honda.....	Interno retro copertina
DESCRIZIONE DEL CONTENUTO DELLA	
“Dichiarazione CE di conformità”	Interno retro copertina

⚠ ATTENZIONE

Per un funzionamento sicuro

Per la vostra sicurezza e quella degli altri, prestare particolare attenzione alle seguenti precauzioni:



- Il tagliaerba Honda è progettato per garantire un funzionamento sicuro e affidabile purché ci si attenga alle istruzioni. Leggere con attenzione il presente Manuale d'uso e manutenzione prima di utilizzare il tagliaerba. In caso contrario potrebbero verificarsi lesioni personali o danni alle attrezzature.



- I gas di scarico contengono monossido di carbonio, un gas velenoso incolore e inodore. L'inalazione di monossido di carbonio può causare perdita di conoscenza e portare al decesso.
- Se si aziona il tagliaerba in un ambiente chiuso o ristretto, l'aria che si respira potrebbe contenere una quantità pericolosa di gas di scarico.
- Non azionare mai il tagliaerba all'interno di garage, abitazioni o in prossimità di porte o finestre aperte.



- La benzina è estremamente infiammabile e, in determinate condizioni, esplosiva.
- Non fumare e non avvicinare fiamme o scintille dove viene effettuato il rifornimento o dove si conserva la benzina.
- Non riempire il serbatoio del carburante oltre il limite e verificare che il tappo del serbatoio sia stato ben chiuso al termine del rifornimento.
- Effettuare il rifornimento in un luogo ben ventilato e a motore spento.



- Tenere le persone e gli animali lontani dalla zona in cui si utilizza il taglia siepi.
- Per evitare contatti accidentali con la lama in funzione o con oggetti proiettati dalla lama stessa, tenere animali e persone a una distanza di almeno 4,5 m dal taglia siepi quando questo è in funzione.



- Indossare protezioni per gli occhi, elmetto e altri dispositivi e indumenti che proteggano occhi e corpo da eventuali oggetti (ghiaia, vetri, fili metallici, ecc.) proiettati dalla lama in funzione.

▲ ATTENZIONE**Per un funzionamento sicuro****Responsabilità dell'operatore**

- Tutti i componenti dell'apparecchio costituiscono una potenziale fonte di pericolo nel caso in cui l'apparecchio fosse utilizzato in condizioni anomale oppure se la manutenzione non dovesse essere effettuata correttamente.
- Leggere attentamente il Manuale d'uso e manutenzione. Prendere dimestichezza con i comandi del tagliaerba e il loro corretto uso. Imparare come arrestare rapidamente il motore.
- Non impiegare il tagliaerba per scopi diversi da quelli a cui esso è destinato.
Un impiego diverso potrebbe risultare pericoloso o provocare danni al tagliaerba medesimo.
Non utilizzare il tagliaerba come falciatore da potatura.
- Non permettere a bambini o persone che non hanno confidenza con il Manuale d'uso e manutenzione di usare il tagliaerba. Le leggi locali potrebbero limitare l'uso della macchina a operatori in base all'età.
- In caso di prestito o di vendita del tagliaerba a terzi, istruire questi ultimi su come maneggiare l'apparecchio e avvertirli di leggere attentamente il Manuale d'uso e manutenzione prima di utilizzarlo.
- Non azionare mai il tagliaerba quando:
 - nelle vicinanze sono presenti altre persone, in special modo bambini, o animali.
 - l'utente è affaticato, è sottoposto a trattamento medico oppure ha assunto sostanze che influiscono sulla capacità di giudizio e reazione.
- Durante l'utilizzo, tenere persone e animali ad almeno 4,5 metri di distanza dall'operatore. Si prega di notare che anche un eventuale assistente dell'operatore deve lavorare ad una distanza di almeno 4,5 m. Per maggiore sicurezza, si consiglia di concordare i segnali con cui l'operatore richiederà all'assistente di arrestare il motore o di eseguire altre manovre e di utilizzare tali segnali durante il funzionamento.
- Considerare che in caso di incidenti o danni, l'operatore o la persona che sta utilizzando l'apparecchio è responsabile verso persone o beni.

Per un funzionamento sicuro

Responsabilità dell'operatore

- Durante l'impiego del taglia siepi, indossare sempre i seguenti indumenti e dispositivi di protezione.
 - Indumenti protettivi
Indossare indumenti adeguati con maniche lunghe e pantaloni lunghi. Gli abiti devono essere aderenti e ben abbottonati tramite bottoni o chiusure lampo. Non lasciar pendere le maniche e la parte bassa di giacche o camicie lente. Indossare anche i proteggi-braccia. Non indossare indumenti con nastri e/o lacci, abiti lenti, cravatte, catenine, ecc., durante l'utilizzo. Questi potrebbero infatti restare impigliati nel taglia siepi o nell'erba e causare lesioni personali. Legare sempre i capelli ed evitare che possano superare l'altezza delle spalle.
 - Dispositivi di protezione
 - * Occhiali
Indossare gli occhiali o altro dispositivo di protezione per gli occhi per impedire che questi ultimi possano essere colpiti dai detriti proiettati dal taglia siepi.
 - * Elmetto
Indossare l'elmetto per proteggere la testa dai rami alti e dalla caduta di corpi estranei.
 - * Visiera
Indossare la visiera per proteggere il viso da eventuali detriti proiettati dalle lame in funzione.
 - * Paraorecchi/otoprotettori
Indossare i paraorecchi, i tappi per le orecchie o altro dispositivo otoprotettore per proteggere le orecchie dal rumore.
 - * Guanti
Indossare i guanti per proteggere le mani.
 - * Stivali di sicurezza
Indossare stivali di sicurezza con suola antiscivolo e proteggi-dita per proteggere i piedi dai detriti.
Non mettere in funzione l'apparecchio a piedi nudi o se si indossano sandali aperti.
Indossare anche i parastinchi.

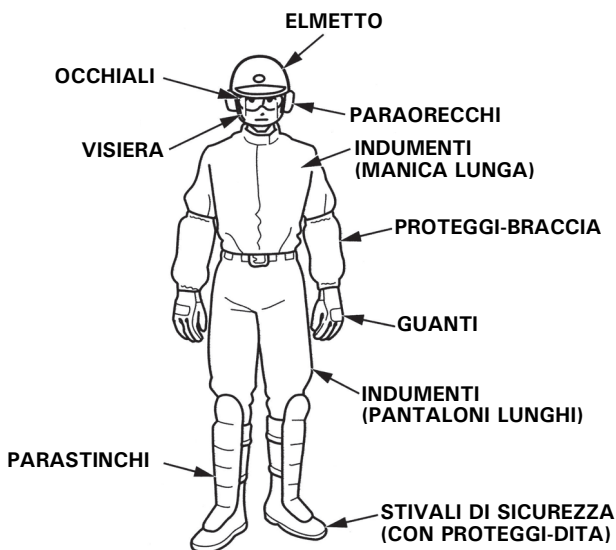
▲ ATTENZIONE

Per un funzionamento sicuro

Responsabilità dell'operatore

* Mascherina

Si raccomanda l'utilizzo di una maschera antipolvere in caso di rinite allergica, ad esempio pollinosi, ecc. La mascherina antipolvere è disponibile in farmacia ed è efficace per ridurre la quantità di polline respirata.



- Prima di ogni uso, verificare visivamente che il tagliasepi non presenti alcun particolare danno o componente allentato.
- Prima dell'uso, controllare se il motore presenta segni di perdite di olio o benzina.
- Evitare di utilizzare il tagliasepi di notte, in condizioni di cattivo tempo o visibilità ridotta, perché il pericolo di incidenti aumenta.
- Durante il lavoro, camminare, non correre mai.
- Evitare di utilizzare il tagliasepi su pendenze molto ripide. Le pendenze ripide sono sdruciolevoli e possono causare lo scivolamento dell'operatore.

▲ ATTENZIONE**Per un funzionamento sicuro****Responsabilità dell'operatore**

- Non azionare il tagliasiepi quando le etichette e altri particolari sono stati rimossi.
- Non montare componenti non adatti e non manomettere il tagliasiepi poiché ciò potrebbe causare lesioni personali e/o danni all'apparecchio.
- Prima di avviare il motore, verificare che la lama di taglio non possa entrare in contatto con la terra o con altri ostacoli.
- Avviare il motore seguendo con attenzione le istruzioni e con mani e piedi ben distanti dalla lama di taglio.
- Avviare il tagliasiepi su una superficie priva di inclinazioni e di erba alta o di ostacoli.
- Non premere il tagliasiepi contro un albero, ecc. Adeguare il movimento e la velocità della lama al tipo di lavoro da svolgere.
- Non trasportare il tagliasiepi mentre è in funzione. Prima di trasportarlo, arrestare il motore e verificare che la lama sia ferma. Quando si trasporta il tagliasiepi, coprire la lama con l'apposita protezione di plastica.
- Quando il motore è caldo, tenersi lontani dal silenziatore per evitare di bruciarsi.
Quando si trasporta il tagliasiepi, tenerlo lontano dal corpo poiché il silenziatore è caldo.

▲ ATTENZIONE

Per un funzionamento sicuro

Responsabilità dell'operatore

- Spegnere il motore e verificare che il relativo interruttore sia in posizione OFF nei seguenti casi:
 - Prima di ogni operazione nei pressi della lama.
 - Prima di procedere a qualsiasi operazione di controllo, pulizia o riparazione del tagliasiepi.
 - Dopo aver urtato un oggetto estraneo. In questo caso ispezionare il tagliasiepi per controllare la presenza di eventuali danni. Prima di riavviare e riutilizzare la macchina, effettuare le riparazioni necessarie.
 - Se il tagliasiepi comincia a vibrare in modo anomalo. Ricercare immediatamente la causa delle vibrazioni e porvi rimedio.
- Portare l'interruttore del motore su OFF e arrestare il motore nei seguenti casi:
 - Ogni volta che si lascia il tagliasiepi incustodito.
 - Prima di effettuare il rifornimento.
 - Quando una persona o un animale si avvicina all'apparecchio.
 - Spegnere immediatamente il motore quando il tagliasiepi inizia improvvisamente a vibrare in modo anomalo. Vibrazioni improvvise possono indicare danni alle parti scorrevoli o allentamento delle parti di fissaggio. Esaminare la causa del problema e non avviare il motore prima di aver eseguito la riparazione.
 - Spegnere immediatamente il motore quando, dopo aver riportato in posizione la leva dell'acceleratore, la lama rimane in funzione. Esaminare la causa del problema e non avviare il motore prima di aver eseguito la riparazione.
 - Quando un cavo si impiglia nella lama. Rimuovere il cavo solo dopo aver arrestato il motore. Se lo si rimuove con il motore acceso, la lama inizia a funzionare e ciò potrebbe essere causa di lesioni.
 - Prima di posizionare il tagliasiepi a terra, assicurarsi che le lame si siano fermate.
Notare che la lama funziona per inerzia subito dopo aver riportato in posizione la leva dell'acceleratore e mentre il motore è al minimo.

▲ ATTENZIONE**Per un funzionamento sicuro****Responsabilità dell'operatore**

- Non tagliare oggetti duri come cavi o piastre di ferro. Ciò può causare guasti o incidenti.
Se il taglia siepi dovesse toccare un ostacolo, arrestare immediatamente il motore e controllare se ci sono problemi sulla lama. Se la lama presenta qualche danno, come incrinature, pieghe, scolorimenti a causa di temperature elevate o usura eccessiva non usarla.
Se si usa una lama incrinata, è possibile che pezzi della lama stessa schizzino via.
- Il taglia siepi è guasto quando il motore è mantenuto al minimo riposizionando l'acceleratore, ma la lama continua a muoversi. Arrestare immediatamente il motore e far eseguire la regolazione del minimo. Rivolgersi al proprio concessionario autorizzato Honda.
- Per un uso in sicurezza del taglia siepi, verificare che tutti i dadi, i bulloni e le viti siano ben serrati. Per garantire la sicurezza dell'utilizzatore e un alto rendimento della macchina, è indispensabile provvedere alla manutenzione periodica.
- Non utilizzare il taglia siepi se alcune delle sue parti dovessero essere danneggiate o usurate. In tal caso i particolari devono essere sostituiti o riparati. Per la sostituzione, utilizzare solo particolari originali Honda. I particolari di qualità non equivalente possono danneggiare la macchina e pregiudicare la sicurezza dell'utente.
- Tenere il taglia siepi con entrambe le mani mentre lo si utilizza in modo da averne sempre il pieno controllo.
- Tosare la siepe con la lama verso l'alto.
Non girare la lama né portarla troppo vicina al corpo.
- Non usare il taglia siepi con le braccia distese. Non usarlo quando si è su una scala, su un tavolo o su altri luoghi instabili.

Per un funzionamento sicuro

Responsabilità dell'operatore

- **Lesioni causate da vibrazioni e freddo:**
È possibile avvertire un formicolio o un bruciore alle dita e queste possono perdere il loro colorito normale e la sensibilità a seconda della costituzione individuale. Si ritiene che questi sintomi siano dovuti alle vibrazioni e/o all'esposizione al freddo. Le cause scatenanti specifiche di tali sintomi non sono state ancora identificate, ma è opportuno osservare le seguenti precauzioni.
 - * Limitare il tempo di utilizzo del tagliasiepi durante la giornata. Un giorno di lavoro dovrebbe essere dedicato in parte all'utilizzo del tagliasiepi e in parte ad altri lavori che non richiedono l'utilizzo dell'apparecchio, così da limitare la quantità di tempo di esposizione delle mani alle vibrazioni dell'apparecchio.
 - * Tenere il corpo al caldo, in particolare le mani, i polsi e le braccia.
 - * Fare delle pause a intervalli brevi ed esercizi per le braccia per mantenere una buona circolazione. Non fumare durante l'esecuzione del lavoro.
 - * Se si accusano disturbi, rossore o gonfiore alle dita seguiti da perdita del normale colorito e della sensibilità, consultare prontamente il medico.
- **Lesioni causate da utilizzo prolungato:**
L'esecuzione di questo tipo di lavoro per un periodo di tempo prolungato può causare delle lesioni. Osservare le seguenti istruzioni per ridurre le cause di lesioni.
 - * Evitare operazioni prolungate con i polsi piegati, sotto sforzo o ruotati.
 - * Fare delle pause regolari per ridurre gli effetti negativi di un uso prolungato. Eseguire il lavoro impiegando il tempo necessario. Evitare di affrettarsi nelle operazioni quando si usa il tagliasiepi.
 - * Se le dita, le mani, i polsi e/o le braccia pulsano o sono intorpiditi, consultare il medico.

▲ ATTENZIONE**Per un funzionamento sicuro****Sicurezza dei bambini**

- Ogni volta che si utilizza un tagliasiepi, tenere i bambini in casa e sotto il controllo degli adulti. I bambini piccoli si muovono velocemente e sono particolarmente attratti dal tagliasiepi in movimento.
- Non dare per scontato che i bambini restino fermi nell'ultimo posto in cui sono stati visti. Stare sempre attenti e spegnere il tagliasiepi se i bambini si avvicinano.
- Non permettere mai a un bambino di usare il tagliasiepi, neppure sotto la supervisione di un adulto.

Pericolo di oggetti scagliati

Gli oggetti colpiti dalle lame in funzione possono essere scagliati dalla macchina con grande forza, causando seri danni alla persona.

- Ispezionare attentamente l'area su cui si intende lavorare e rimuovere tutti gli oggetti (pietre, rami, fili di ferro, ossa, ecc.) che potrebbero essere scagliati via dalla lama in funzione.

▲ ATTENZIONE**Per un funzionamento sicuro****Rischio di incendi e ustioni**

La benzina è estremamente infiammabile e i suoi vapori possono causare esplosioni.

Prestare sempre la massima attenzione nel maneggiare la benzina.

Tenere la benzina fuori della portata dei bambini.

- Conservare il carburante in appositi contenitori.
- Effettuare il rifornimento solo all'aperto e non fumare mentre si effettua il rifornimento o si maneggia il carburante.
- Effettuare il rifornimento di carburante prima di avviare il motore. Non rimuovere mai il tappo del serbatoio del carburante e non aggiungere mai benzina quando il motore è in funzione o quando il motore è caldo.
- In caso di fuoriuscita di benzina, non avviare il motore, ma allontanare il tagliaerba dalla zona in cui è stata versata la benzina ed evitare di provocare scintille fino alla completa dissipazione dei vapori.
- Serrare saldamente tutti i tappi dei serbatoi del carburante e dei contenitori.
- Una volta eseguito il rifornimento, assicurarsi di avviare il motore a una distanza di almeno 3 m dalla zona di rifornimento.
- Non riporre il tagliaerba con la benzina nel serbatoio all'interno di edifici in cui i vapori potrebbero raggiungere fiamme libere, scintille o zone con temperature elevate.
- Prima del rimessaggio in un luogo chiuso, lasciare che il motore si raffreddi.
- Per ridurre il rischio di incendi, assicurarsi che il tagliaerba e in particolare il motore, il silenziatore e la zona del serbatoio siano privi di erba, foglie o grasso in eccesso.
Non lasciare contenitori con prodotti vegetali all'interno o in prossimità di un edificio.
- Se il serbatoio del carburante deve essere svuotato, questa operazione deve essere eseguita all'aperto, quando il motore è freddo.

▲ ATTENZIONE

Per un funzionamento sicuro

Pericolo di avvelenamento da monossido di carbonio

Il gas di scarico contiene monossido di carbonio, un gas velenoso incolore e inodore. La sua respirazione può causare la perdita di coscienza e portare alla morte.

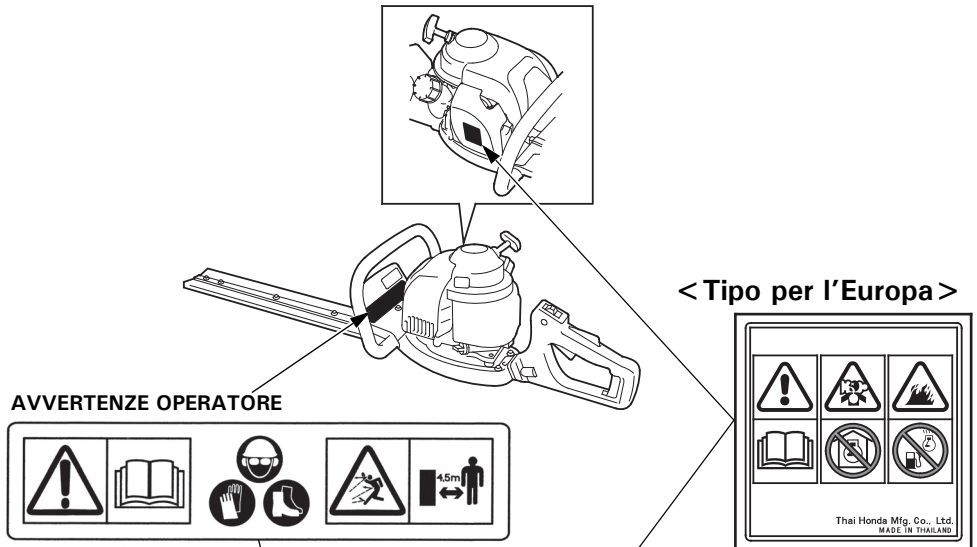
- Se si fa girare il motore in un ambiente chiuso, o anche parzialmente chiuso, l'aria che si respira potrebbe contenere una quantità pericolosa di gas di scarico.
Per evitare l'accumulo dei gas di scarico provvedere ad una ventilazione adeguata.
- Sostituire il silenziatore se difettoso.
- Non far funzionare il motore in uno spazio chiuso dove si possono formare elevate concentrazioni di monossido di carbonio altamente nocivo.

2. POSIZIONE DELLE ETICHETTE DI SICUREZZA

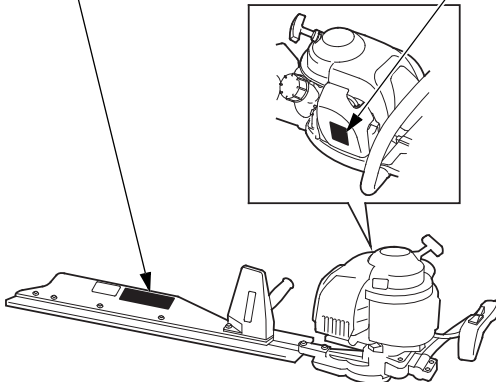
Il tagliasepi deve essere utilizzato con cautela. Pertanto, sono state apposte sulla macchina delle decalcomanie, i cui simboli servono a ricordare le principali precauzioni durante il suo utilizzo. Il loro significato è spiegato a pagina 3.

Queste decalcomanie sono considerate parte integrante del tagliasepi. Qualora dovessero staccarsi o diventare illeggibili, rivolgersi al concessionario Honda per la sostituzione.

HHH25D:



HHH25S:

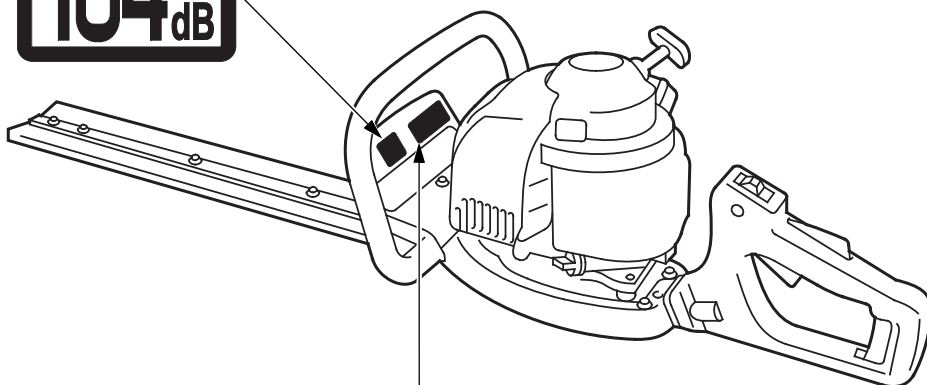
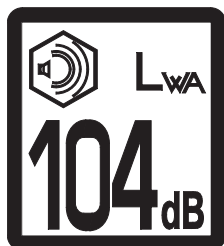


Posizione marchio CE ed etichetta del livello acustico

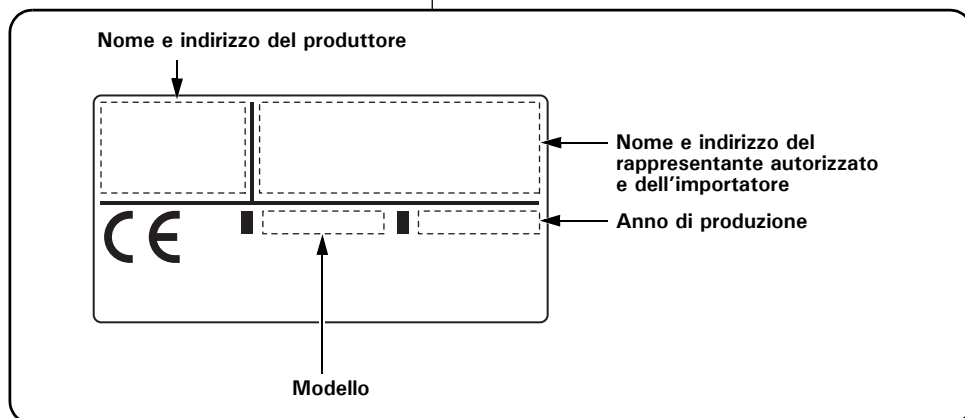
HHH25D:

< Tipo per l'Europa >

ETICHETTA LIVELLO ACUSTICO



MARCHIO CE

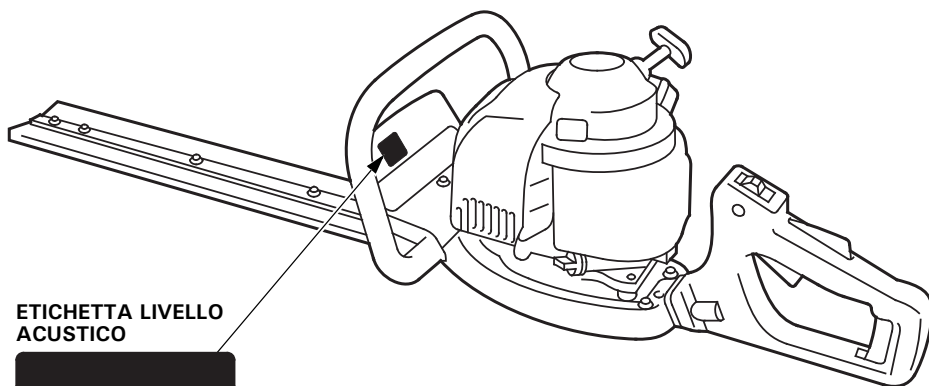


Indica il nome e l'indirizzo del produttore, del rappresentante autorizzato e dell'importatore riportati nella sezione DESCRIZIONE DEL CONTENUTO DELLA "Dichiarazione CE di conformità" inclusa nel presente Manuale d'uso e manutenzione.

Posizione etichetta livello acustico

HHH25D:

< Tipo per l'Australia >



ETICHETTA LIVELLO
ACUSTICO

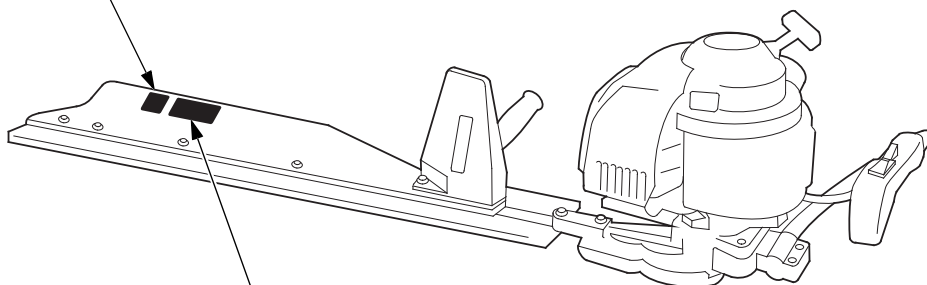


Posizione marchio CE ed etichetta del livello acustico

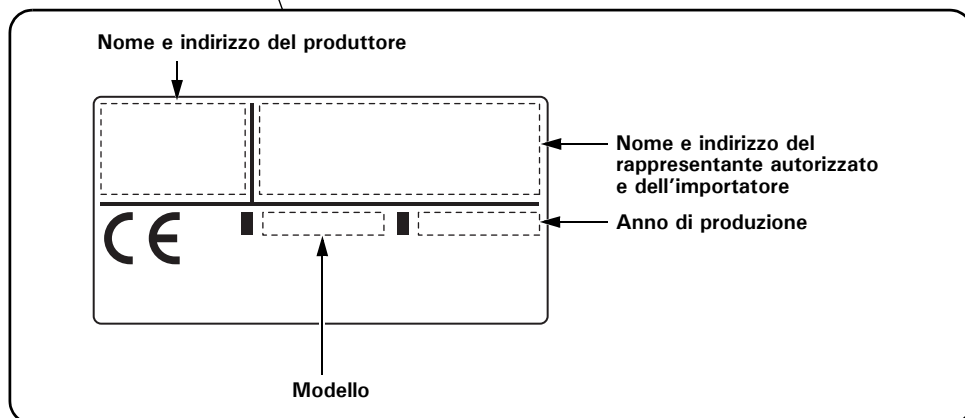
HHH25S:

< Tipo per l'Europa >

ETICHETTA LIVELLO
ACUSTICO



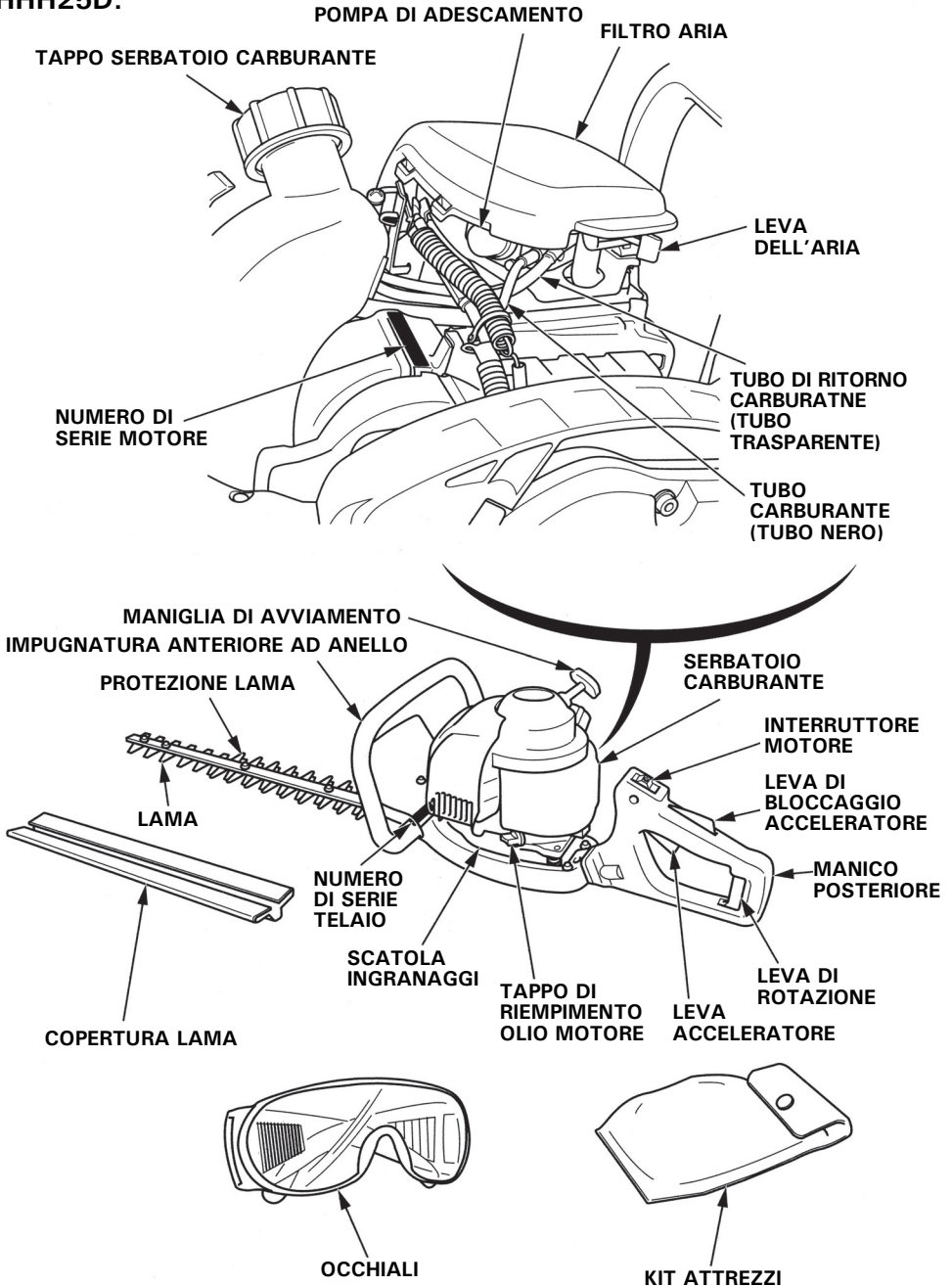
MARCHIO CE



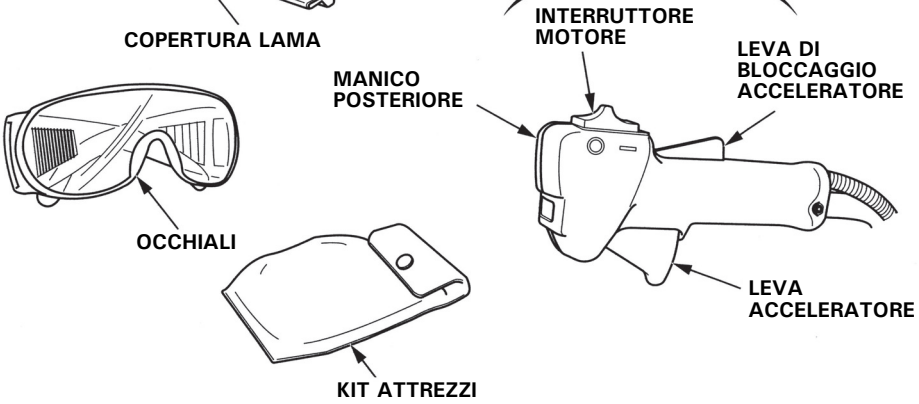
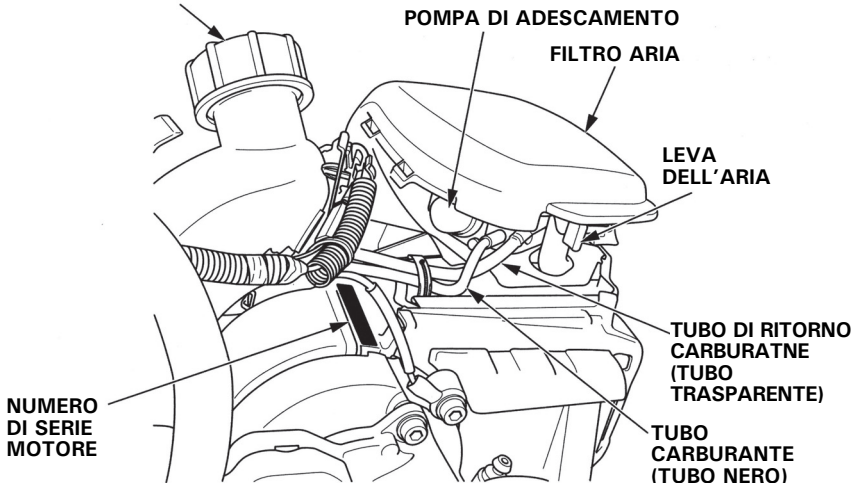
Indica il nome e l'indirizzo del produttore, del rappresentante autorizzato e dell'importatore riportati nella sezione DESCRIZIONE DEL CONTENUTO DELLA "Dichiarazione CE di conformità" inclusa nel presente Manuale d'uso e manutenzione.

3. IDENTIFICAZIONE DEI COMPONENTI

HHH25D:



HHH25S: TAPPO SERBATOIO CARBURANTE



Registrare il numero di serie del telaio e il numero di serie del motore nello spazio indicato di seguito (vedere pagina 19 o 20). In caso di ordini di particolari di ricambio, informazioni tecniche o sulla garanzia sarà necessario disporre di tali numeri.

Numero di serie motore: _____

Numero di serie telaio: _____

4. COMANDI

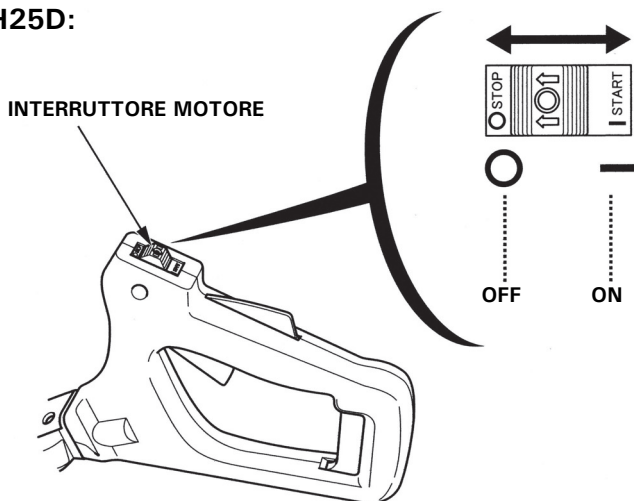
1. Interruttore del motore

L'interruttore del motore attiva e disattiva il sistema di accensione.

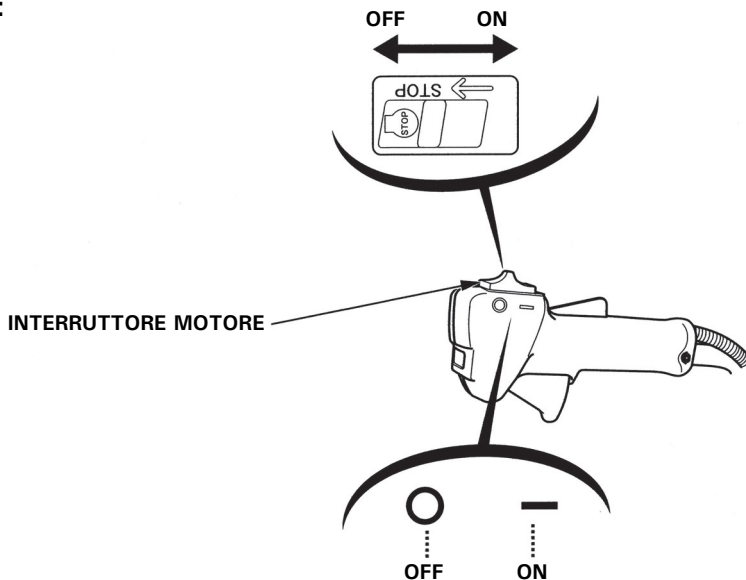
L'interruttore del motore deve essere in posizione ON per poter avviare il motore.

Portando l'interruttore motore in posizione OFF si arresta il motore.

HHH25D:



HHH25S:

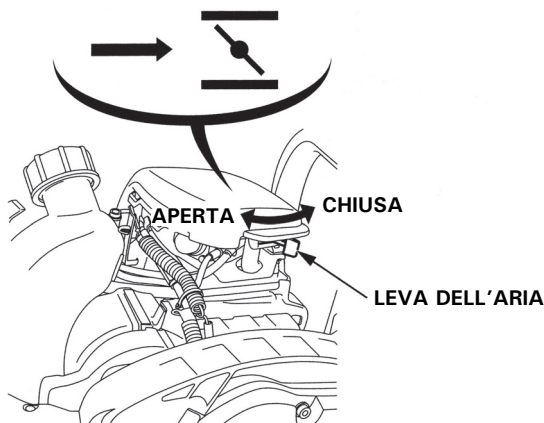


2. Leva dell'aria

La leva dell'aria apre e chiude la valvola dell'aria nel carburatore.

In posizione CHIUSA, la miscela aria-carburante viene arricchita per l'avvio del motore a freddo.

In posizione APERTA, viene fornita la miscela aria-carburante corretta per il funzionamento dopo l'avvio e per il riavvio del motore a caldo.



3. Avviamento a strappo

Tirando la maniglia di avviamento viene azionato l'avviamento a strappo per l'avvio del motore.



4. Leva acceleratore

La leva dell'acceleratore controlla la velocità del motore.

Premendo e rilasciando la leva dell'acceleratore indicata di seguito si fa girare più o meno velocemente il motore.

NOTA:

Premere la leva di bloccaggio dell'acceleratore prima di azionare la leva dell'acceleratore.

Azionando gradualmente la leva, la velocità del motore aumenta e la lama inizia a muoversi.

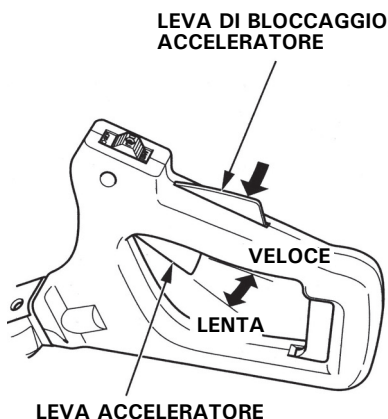
Premere ulteriormente la leva per aumentare la velocità del motore e la velocità di funzionamento.

Rilasciando la leva dell'acceleratore, la velocità del motore diminuisce mentre la lama continua ad operare per inerzia per un breve lasso di tempo, quindi si arresta.

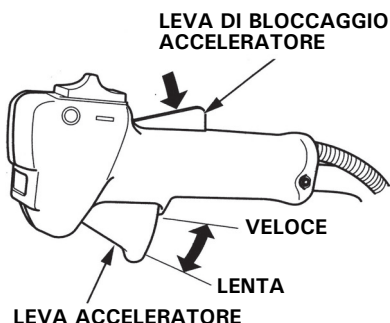
Leva di bloccaggio acceleratore:

La leva di bloccaggio dell'acceleratore permette l'azionamento della leva dell'acceleratore. La leva dell'acceleratore non può essere azionata se in precedenza non è stata premuta la leva di bloccaggio dell'acceleratore.

HHH25D:



HHH25S:



5. CONTROLLI PRIMA DELL'USO

Per lavorare in sicurezza, effettuare sempre un controllo preliminare prima di iniziare ad usare il taglia siepi.

▲ ATTENZIONE

Prima di effettuare qualsiasi controllo preliminare, posizionare il taglia siepi su una superficie priva di inclinazioni, arrestare il motore e assicurarsi che l'interruttore del motore sia in posizione OFF onde evitare che il motore possa avviarsi accidentalmente.

1. Controllare il livello dell'olio motore

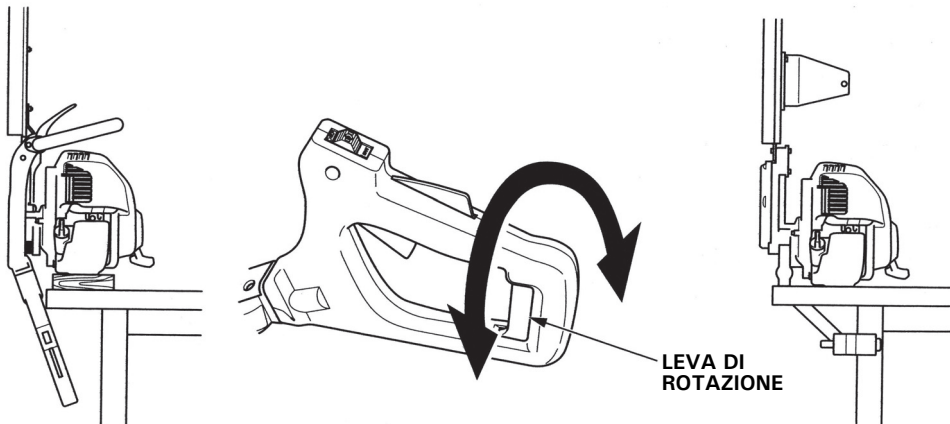
AVVERTENZA:

Il funzionamento del motore con un basso livello di olio può danneggiare seriamente il motore.

1. Installare la protezione della lama, posizionare il taglia siepi in posizione verticale su un tavolo orizzontale e tenere ferma la lama.
HHH25D: Impugnare la leva di rotazione e far girare il manico posteriore di 90° in senso orario o antiorario. Porre il taglia siepi su una superficie priva di inclinazioni e rimuovere il tappo di riempimento olio.

HHH25D:

HHH25S:



2. Controllare il livello dell'olio:

Dovrebbe raggiungere il bordo del bocchettone di riempimento olio; controllare anche che l'olio motore non sia contaminato e deteriorato.

3. Se il livello dell'olio è basso, rabboccare con olio di tipo raccomandato fino al bordo collo di riempimento olio (vedere pagina 26).

Se l'olio è contaminato o deteriorato, sostituirlo (vedere pagina 47).

4. Installare il tappo di riempimento olio.

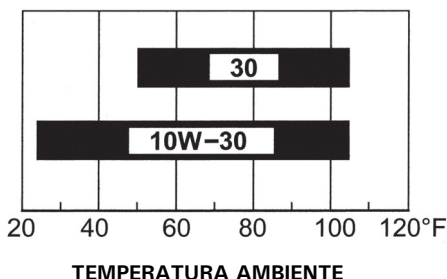
Controllare il livello dell'olio motore ogni 10 ore e rabboccarlo fino al limite superiore del collo di riempimento se si intende usarlo per un periodo continuativo superiore alle 10 ore.

CAPACITÀ OLIO MOTORE: 0,08 l



Usare olio per motori a 4 tempi che sia almeno conforme ai requisiti per la classificazione API SE o successive (o equivalenti). Controllare sempre l'etichetta del servizio API sul contenitore dell'olio per accertarsi che siano riportate le lettere SE o una classificazione successiva (o equivalente).

Per impieghi generici, si raccomanda l'uso di un lubrificante SAE 10W-30. Quando la temperatura media dell'area geografica in cui viene utilizzato il motore è compresa nella fascia indicata, è possibile utilizzare oli con grado di viscosità differente, come mostrato nella tabella.



AVVERTENZA:

L'uso di olio non detergente o di olio per motori a 2 tempi potrebbe ridurre la vita operativa del motore.

2. Controllare il livello del carburante

Utilizzare benzina per autotrazione senza piombo con un Numero di Ottani di ricerca pari a 91 o superiore (un Numero di Ottani alla pompa pari a 86 o superiore).

Non utilizzare mai benzina vecchia o contaminata o miscela olio/benzina. Evitare di gettare sporcizia o acqua nel serbatoio del carburante.

▲ ATTENZIONE

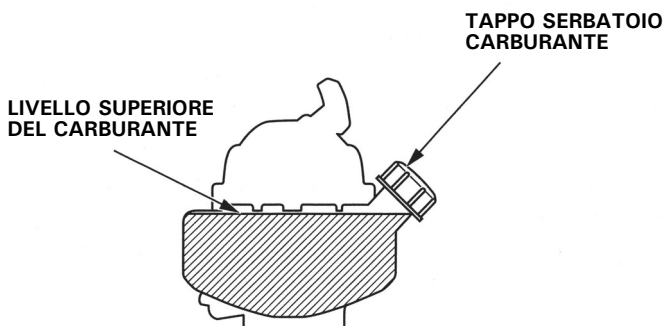
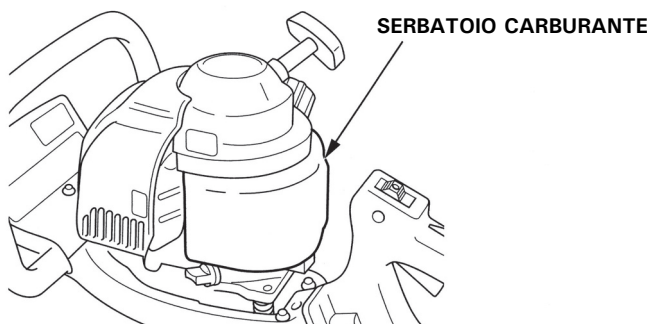
- **La benzina è estremamente infiammabile e, in determinate condizioni, esplosiva.**
- **Effettuare il rifornimento in un luogo ben ventilato e a motore spento. Non fumare e tenere fiamme e scintille lontane dal luogo in cui si effettua il rifornimento o si conserva la benzina.**
- **Non riempire troppo il serbatoio del carburante (non ci deve essere carburante nel bocchettone di riempimento). Dopo il rifornimento, accertarsi di chiudere correttamente e saldamente il tappo del serbatoio.**
- **Prestare attenzione ad evitare le fuoriuscite di carburante durante il rifornimento. Il carburante fuoriuscito o i vapori del carburante potrebbero incendiarsi. Se fuoriesce del carburante, verificare che l'area sia asciutta prima di avviare il motore.**
- **Evitare il contatto ripetuto o prolungato con la pelle ed evitare di respirare il vapore. TENERE FUORI DALLA PORTATA DEI BAMBINI.**

AVVERTENZA:

Prodotti sostitutivi della benzina sono sconsigliati; potrebbero essere dannosi per i componenti del sistema di alimentazione.

Effettuare il rifornimento in un luogo ben ventilato e a motore spento. Se il motore è stato in funzione, farlo prima raffreddare. Non eseguire mai il rifornimento all'interno di un edificio in cui i fumi del carburante potrebbero raggiungere fiamme o scintille.

1. Posizionare il tagliasiepi orizzontalmente e controllare la parte esterna del serbatoio per verificare che il carburante raggiunga il limite superiore.
2. Se il livello del carburante è basso, riempire il serbatoio carburante fino al livello prescritto. Aprire gradualmente il tappo del serbatoio carburante per rilasciare l'aria pressurizzata nel serbatoio carburante. Il carburante all'interno del serbatoio potrebbe schizzare fuori se si rimuove velocemente il tappo del serbatoio carburante.



NOTA:

La benzina si deteriora molto rapidamente in presenza di fattori quali l'esposizione alla luce, la temperatura e il tempo.

Nei casi peggiori, la benzina può contaminarsi in 30 giorni.

L'uso di benzina contaminata può causare gravi danni al motore (carburatore ostruito, valvole bloccate).

Tali danni dovuti alla benzina contaminata non sono coperti da garanzia.

Per evitare ciò, seguire scrupolosamente le raccomandazioni seguenti:

- Usare soltanto la benzina specificata (vedere pagina 27).
- Utilizzare benzina nuova e pulita.
- Per rallentare il deterioramento, conservare la benzina in un recipiente certificato per carburanti.
- Se si prevede un lungo periodo di inutilizzo (più di 30 giorni), svuotare il serbatoio del carburante e il carburatore (vedere pagina 57).

Benzina contenente alcol

Se si decide di utilizzare una benzina che contiene alcol (miscela benzina-alcol), controllare che il numero di ottani sia almeno pari al valore raccomandato da Honda.

Esistono due tipi di "miscele benzina-alcol": una contenente etanolo e l'altra contenente metanolo.

Non usare miscele benzina-alcol contenenti oltre il 10% di etanolo.

Non usare benzine contenenti oltre il 5% di metanolo (alcol metilico o alcol di legno) e cosolventi e anticorrosivi specifici per metanolo.

NOTA:

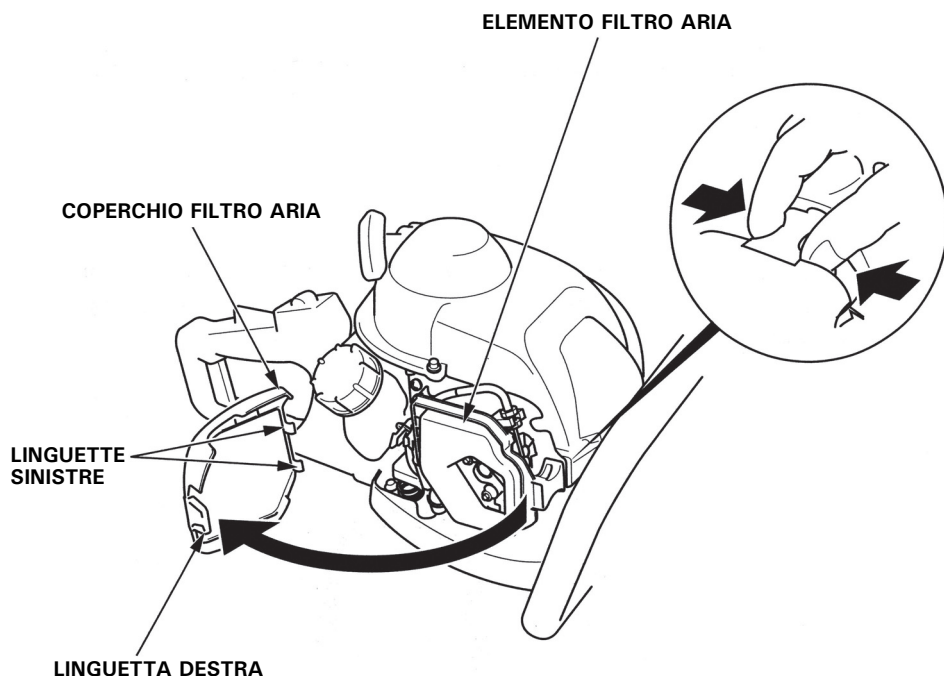
- Eventuali danni all'impianto di alimentazione o problemi alle prestazioni del motore derivanti dall'uso di benzina contenente una quantità di alcol superiore a quanto raccomandato non sono coperti dalla garanzia.
- Prima di acquistare benzina presso una stazione di rifornimento non conosciuta, chiedere se la benzina contiene alcol e, in questo caso, il tipo e la percentuale esatta di alcol contenuto.
Se si sta utilizzando un tipo particolare di benzina e si notano anomalie di funzionamento, passare a una benzina che contenga sicuramente una percentuale di alcol inferiore a quella raccomandata.

3. Controllare gli elementi del filtro aria

AVVERTENZA:

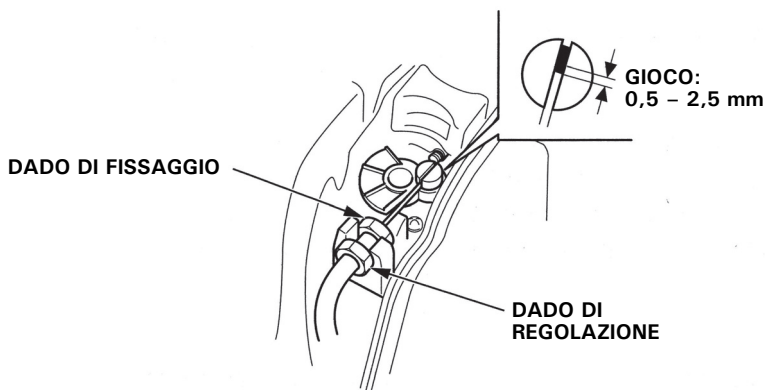
Non avviare il motore in assenza del filtro aria; ne risulterebbe un rapido deterioramento del motore.

1. Spostare la leva dell'aria nella posizione CHIUSA (vedere pagina 23).
2. Rimuovere il coperchio del filtro aria sganciando la linguetta destra e le due linguette sinistre del coperchio stesso.
3. Controllare che l'elemento del filtro dell'aria non sia sporco o ostruito.
Pulire l'elemento del filtro aria se sporco (vedere pagina 49).
4. Reinstallare l'elemento del filtro dell'aria.
5. Installare nuovamente il coperchio del filtro aria inserendo prima le linguette sinistre e poi la linguetta destra.



4. Controllare il gioco libero del cavo dell'acceleratore

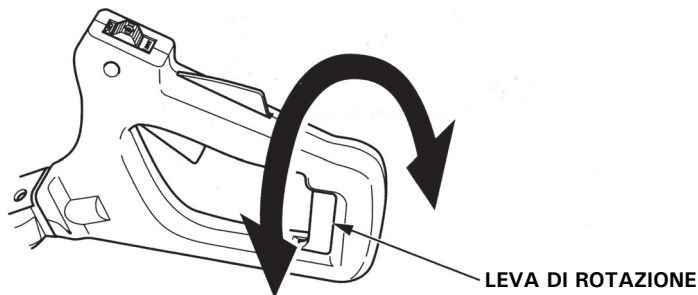
- Controllare il gioco del cavo dell'acceleratore sull'estremità del cavo, tirando e rilasciando alcune volte la leva dell'acceleratore. Deve essere 0,5 – 2,5 mm all'estremità del cavo dell'acceleratore.



- Controllare che la leva dell'acceleratore funzioni senza problemi e che ritorni sempre nella posizione del minimo.

5. Controllare il manico posteriore (HHH25D)

- Controllare che il manico posteriore giri senza alcun impedimento quando viene premuta la leva di rotazione.
- Controllare che la leva di rotazione si blocchi nelle posizioni centrale, di destra e di sinistra quando la si rilascia.



6. Controllo della lama

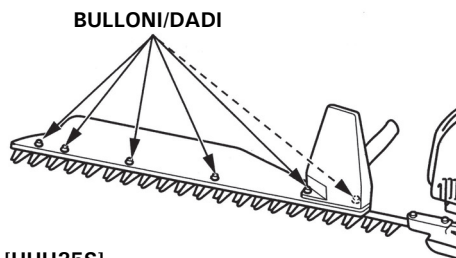
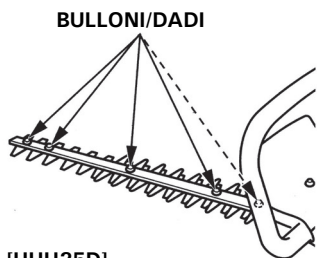
⚠ ATTENZIONE

Per motivi di sicurezza, prima di avviare il motore, controllare se la lama è usurata e danneggiata e controllare il serraggio dei bulloni e dei dadi. L'azionamento del tagliaerba quando la lama è usurata, incrinata o danneggiata può causare lesioni personali o danni all'apparecchio. Una lama usurata, incrinata o danneggiata può spaccarsi e i pezzi potrebbero scagliarsi contro l'operatore o altre persone causando gravi lesioni o morte.

AVVERTENZA:

Indossare guanti spessi per proteggere le mani quando si eseguono lavori vicino alla lama.

1. Spegnerne il motore e verificare che il relativo interruttore sia in posizione OFF.
2. Rimuovere la protezione della lama indossando guanti spessi per proteggere le mani.
3. Controllare che i bulloni e i dadi non siano allentati. Serrare quelli che lo sono. Se non è possibile eseguire correttamente questa operazione, rivolgersi a un concessionario autorizzato Honda.



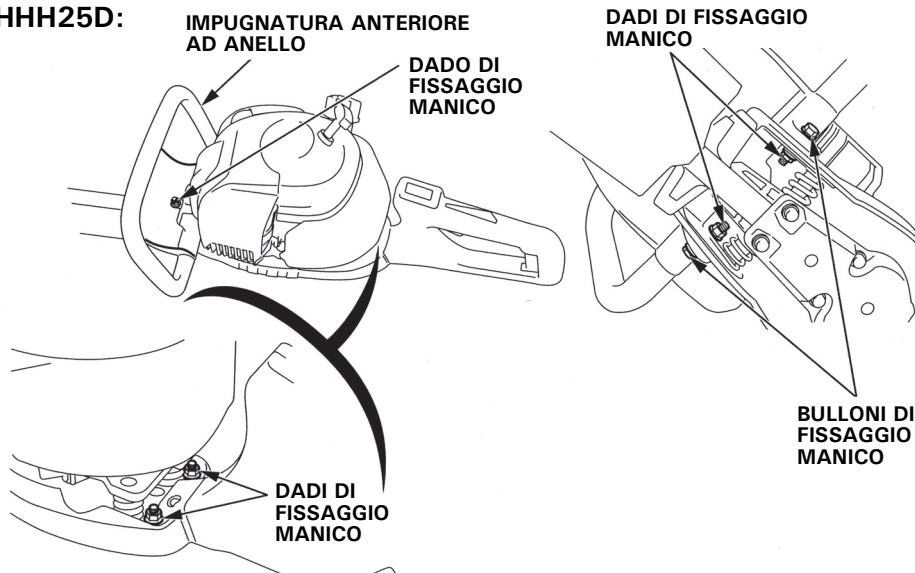
4. Controllare se la lama e la protezione sono usurate, piegate, incrinate, se presentano scoloriture dovute al calore o altri tipi di danni. In presenza di uno di questo problemi, rivolgersi a un concessionario autorizzato Honda.



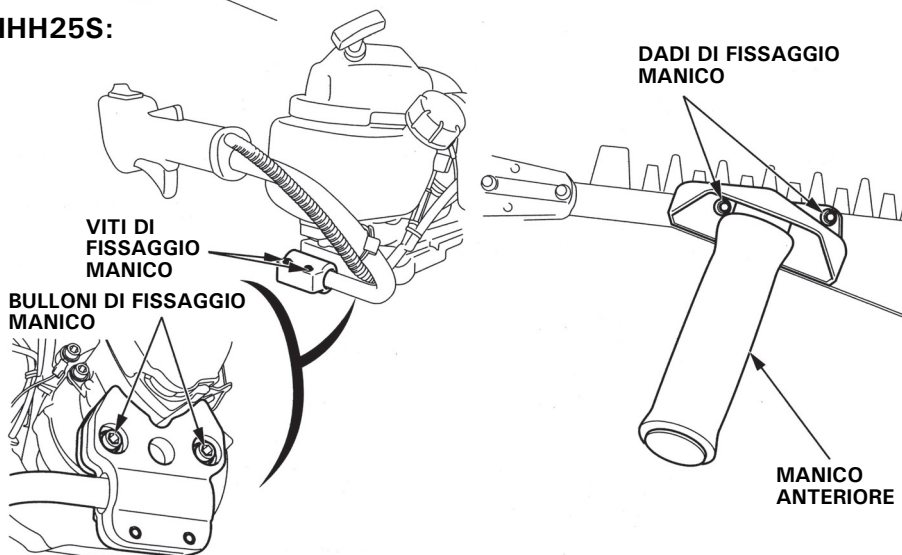
7. Controllare tutti i bulloni e i dadi

1. Controllare tutti i bulloni e i dadi per verificare che non siano allentati. Serrare saldamente quelli eventualmente allentati.
2. Controllare se i bulloni e le viti di fissaggio dell'impugnatura sono allentati e serrarli saldamente se necessario.

HHH25D:



HHH25S:



6. AVVIAMENTO DEL MOTORE

⚠ ATTENZIONE

- Il gas di scarico contiene monossido di carbonio, un gas velenoso. Non azionare mai il motore in un ambiente chiuso o ristretto. Provvedere ad un'adeguata ventilazione.
- Avviare il motore in un luogo lontano da persone, animali ed edifici. Verificare che nell'area di lavoro non siano presenti ostacoli.

AVVERTENZA:

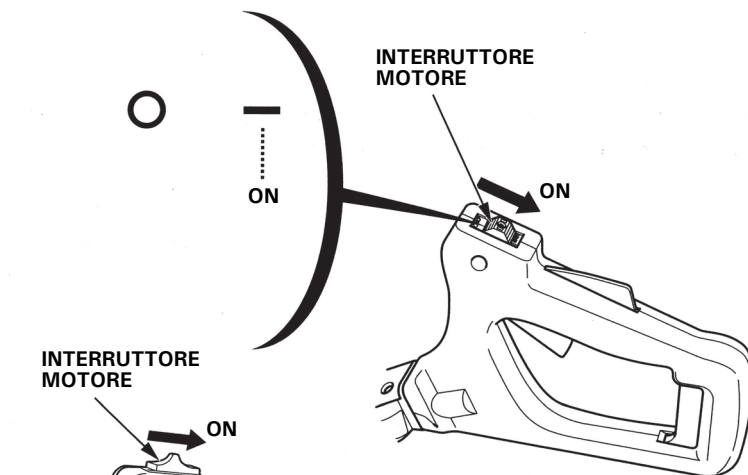
Non avviare il motore con il tagliaerba sul terreno. Il tagliaerba potrebbe compiere un movimento inaspettato con il rischio di provocare lesioni alle gambe, ecc.

NOTA:

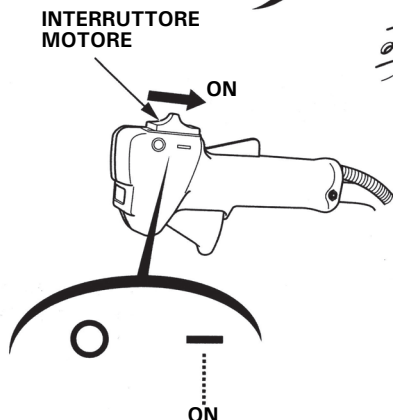
Posizionare il tagliaerba in una zona libera da ostacoli e accertarsi che la lama non tocchi il terreno o altri materiali.

1. Rimuovere la protezione della lama dal tagliaerba.
2. Portare l'interruttore del motore in posizione ON (accensione).

HHH25D:

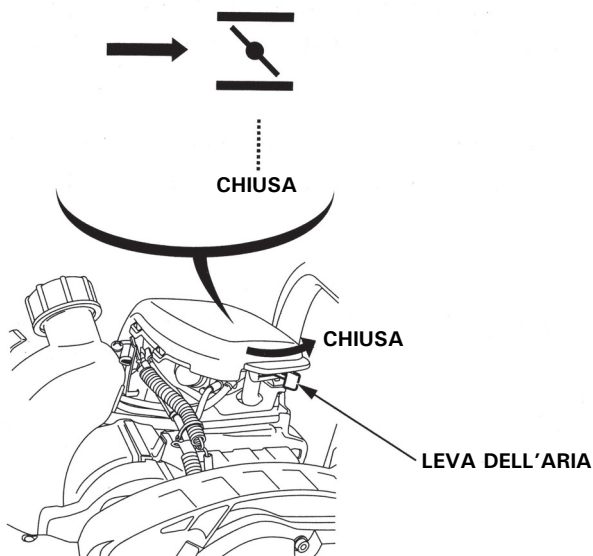


HHH25S:

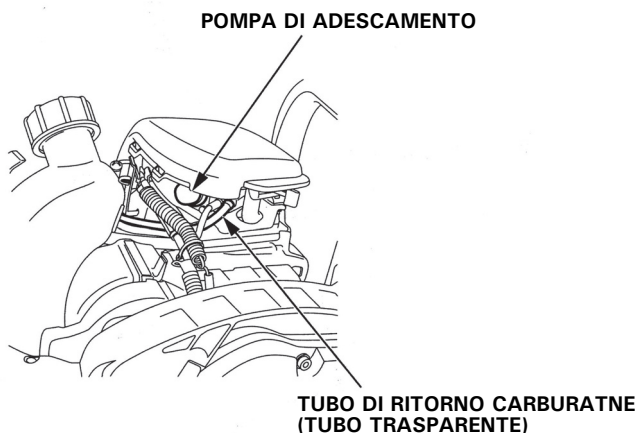


3. Per avviare un motore a freddo, spostare la leva dell'aria in posizione **CHIUSA**.

Per riavviare il motore quando è ancora caldo, lasciare la leva dell'aria in posizione **APERTA**.



4. Premere la pompa di adescamento più volte finché non si vede il flusso nel tubo di ritorno del carburante (tubo trasparente).



5. Tenendo il manico del tagliasiepi, tirare leggermente la maniglia di avviamento fino ad avvertire una certa resistenza, quindi tirare di scatto nella direzione indicata di seguito. Rilasciare la maniglia del motorino di avviamento delicatamente.

Prima di tirare la maniglia di avviamento, verificare che persone e animali non si trovino nelle vicinanze del tagliasiepi e in special modo alle vostre spalle.

HHH25D:

POSIZIONE DELL'OPERATORE
(posteriormente e a destra del tagliasiepi)



HHH25S:

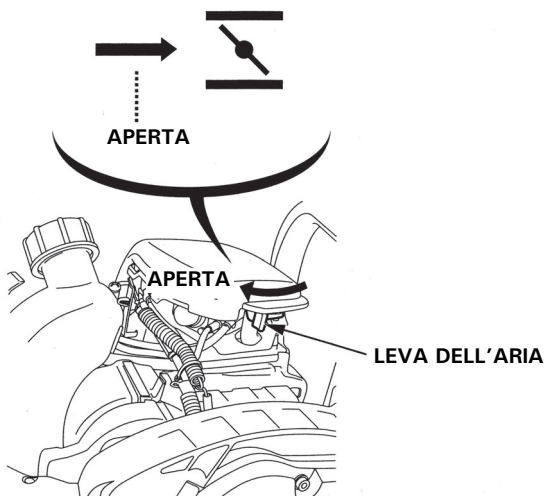
POSIZIONE DELL'OPERATORE
(posteriormente e a destra del tagliasiepi)



AVVERTENZA:

- Tirare con forza la maniglia di avviamento. Quando, nella fase di avviamento, il regime motore aumenta, la scintilla di accensione raggiunge il motore. Se il regime del motore è lento, il motore potrebbe non avviarsi.
- Non lasciare di scatto la maniglia di avviamento. Accompararla nel movimento per evitare di danneggiare l'apparecchio.
- Mentre il motore è in funzione, non tirare l'avviatore manuale per evitare di danneggiare il motore.
- Non azionare la leva dell'acceleratore quando si tira l'avviatore manuale. La lama entrerebbe in funzione immediatamente. Ciò potrebbe essere molto pericoloso.

6. Se per avviare il motore si è portata la leva dell'aria in posizione CHIUSA, spostarla gradualmente in posizione APERTA con lo scaldarsi del motore.



Riavvio a motore caldo

Se il motore viene azionato a temperature ambientali elevate, quindi viene spento e riavviato dopo poco, potrebbe non ripartire al primo tentativo.

Se necessario, adottare la seguente procedura:

PRECAUZIONI IMPORTANTI DI SICUREZZA

Portare l'interruttore del motore in posizione OFF prima di eseguire la procedura seguente. In questo modo si evita l'avviamento del motore al massimo regime quando l'acceleratore è in posizione completamente aperta. Se si avvia il motore con l'acceleratore al massimo, la lama potrebbe girare alla velocità massima. Ciò può causare gravi lesioni.

1. Portare l'interruttore del motore in posizione OFF (spegnimento).
2. Spostare la leva dell'aria nella posizione APERTA.
3. Tenere la leva dell'acceleratore in posizione completamente aperta (VELOCE).
4. Tirare l'impugnatura di avviamento da 3 a 5 volte.
5. Seguire la procedura AVVIAMENTO DEL MOTORE a pagina 34 e avviare il motore con la leva dell'aria in posizione APERTA.

Modifica del carburatore per funzionamento ad altitudini elevate

Ad altitudini elevate, la miscela standard aria-carburante nel carburatore risulta troppo ricca. Le prestazioni diminuiscono ed il consumo di carburante aumenta. Inoltre, una miscela molto ricca imbratta le candele e causa difficoltà di avviamento. L'uso prolungato a un'altitudine differente da quella per cui il motore è stato certificato può aumentare le emissioni.

Effettuando opportune regolazioni del carburatore è possibile migliorare le prestazioni in caso di utilizzo ad altitudini elevate. Se il tagliasepi viene sempre utilizzato ad altitudini superiori a 1.500 m, rivolgersi al proprio concessionario Honda per la modifica del carburatore. Il motore, quando usato ad altitudini elevate con il carburatore appositamente modificato, sarà conforme a tutti gli standard sulle emissioni per tutta la vita utile.

Anche con le modifiche al carburatore, la potenza del motore diminuirà di circa il 3,5% per ogni 300 metri di aumento dell'altitudine. L'effetto dell'altitudine sulla potenza del motore sarebbe comunque maggiore qualora non venissero eseguite le modifiche al carburatore.

AVVERTENZA:

Quando il carburatore è stato modificato per l'uso ad altitudini elevate, la miscela di aria/carburante risulta troppo povera per l'uso ad altitudini inferiori. Il funzionamento ad altitudini inferiori a 1.500 m con un carburatore modificato potrebbe provocare il surriscaldamento del motore con gravi danni al motore stesso. Per l'uso ad altitudini inferiori, richiedere al proprio concessionario Honda di riportare il carburatore alle specifiche originali di fabbrica.

7. FUNZIONAMENTO

Leggere attentamente le istruzioni di sicurezza da pagina 5 a pagina 14 prima di utilizzare il tagliaiepi.

Se si notano rumori, odori, vibrazioni o altri sintomi anomali, spegnere immediatamente il motore e rivolgersi a un concessionario autorizzato Honda.

Impugnare i manici con entrambe le mani.

HHH25D: Usare una delle mani per impugnare il manico anteriore ad anello e l'altra per impugnare il manico posteriore (impugnatura dell'acceleratore).

HHH25S: Usare la mano destra per impugnare il manico anteriore e la sinistra per impugnare il manico posteriore (impugnatura dell'acceleratore).

AVVERTENZA:

Non usare il tagliaiepi tenendolo con una mano.

▲ ATTENZIONE

Non azionare il tagliaiepi se la lama in funzione potrebbe arrivare in prossimità dei piedi. In caso contrario, si rischia una seria lesione ai piedi.

NOTA:

Questo tagliaiepi è progettato per tagliare siepi con rami di diametro massimo di 8 mm. Non utilizzare il tagliaiepi per tagliare rami di diametro superiore o altri materiali diversi dal legno. Ciò potrebbe danneggiare la lama e le parti di comando della scatola degli ingranaggi e ridurne la vita operativa.

Funzionamento di base:

- Azionare il tagliaiepi con cura e movimenti continui per evitare che lo scarico soffi su un lato della siepe.
- Quando si stringe la leva dell'acceleratore con il motore acceso, il regime del motore aumenta e la lama inizia a funzionare. Regolare il regime del motore in relazione alla dimensione della siepe.

AVVERTENZA:

Aumentare il regime del motore quando si inizia a far funzionare il tagliaiepi. L'utilizzo del tagliaiepi ad una velocità troppo bassa può danneggiare il motore.

- Quando si tosa la parte superiore di una siepe, spostare ripetutamente la lama verso destra e verso sinistra.
- Per dare una buona forma alla siepe, inclinare il tagliasiepi leggermente verso il basso (fino a 10°).



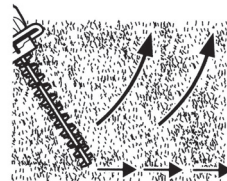
- Azionare il tagliasiepi con la lama rivolta verso l'esterno.

AVVERTENZA:

Non rivolgere la lama verso se stessi durante il funzionamento e tenersi a distanza dalla lama.



- Per tosare il lato di una siepe, spostare la lama dal basso verso l'alto.



HHH25S:

- Durante il funzionamento, lasciare i rami, le foglie, ecc. sullo scivolo per l'erba.

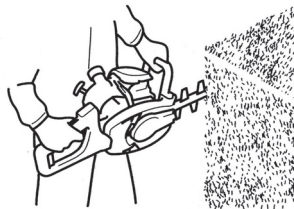
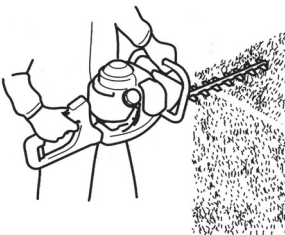


HHH25D:

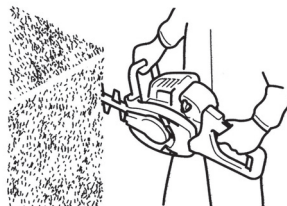
- Il manico posteriore può essere girato in tre posizioni (posizione CENTRALE, 90° in senso orario e in senso antiorario).
 - Parte superiore: ruotare il manico posteriore in posizione CENTRALE quando si tosa la parte superiore di una siepe.
 - Parte laterale: se si desidera utilizzare la lama sul lato sinistro del proprio corpo, ruotare il manico posteriore di 90° in senso antiorario. Se si desidera utilizzare la lama sul lato destro, ruotare il manico posteriore di 90° in senso orario (vedere pagina 42).
- Quando si tosa il lato di una siepe, rivolgere la lama verso la siepe e il motore verso il proprio corpo.

Ruotare il manico posteriore di 90° in senso orario

Posizione CENTRALE

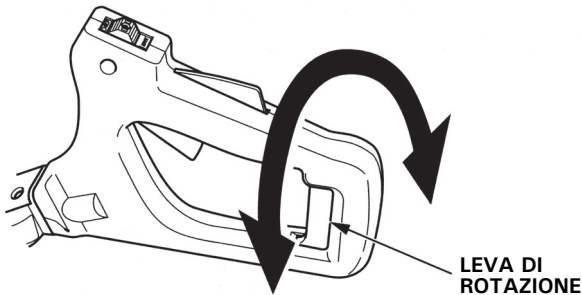


Ruotare il manico posteriore di 90° in senso antiorario.



Ruotare il manico posteriore (HHH25D)

1. Accertarsi di arrestare il motore se si desidera ruotare il manico posteriore.
 2. Per ruotare il manico posteriore, rilasciare la leva dell'acceleratore e la leva di bloccaggio dell'acceleratore, impugnare la leva di rotazione e ruotare il manico in senso orario o antiorario.
 3. Prima del funzionamento, ruotare il manico fino allo scatto. Accertarsi che la leva di rotazione ritorni in posizione.
- Non azionare la leva dell'acceleratore, la leva di bloccaggio dell'acceleratore e la leva di rotazione contemporaneamente. Ciò potrebbe causare un guasto.



- Non forzare le posizioni.
- Tenere la lama al di sotto dell'altezza delle ginocchia.
- Tenere il proprio corpo a distanza dalla lama in funzione e dalle superfici calde del tagliasepi.

8. ARRESTO DEL MOTORE

1. Rilasciare la leva dell'acceleratore e la leva di bloccaggio dell'acceleratore.
2. Portare il commutatore di accensione in posizione OFF (spegnimento).
Accertarsi visivamente che la lama abbia smesso di funzionare.
3. Prima di posare il taglia siepi a terra, assicurarsi che il motore e la lama siano fermi.

AVVERTENZA:

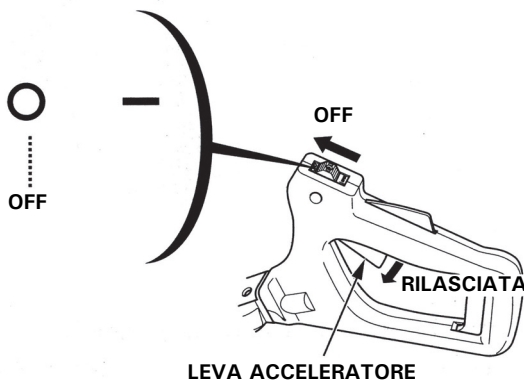
Anche quando la forza di azionamento si è arrestata, la lama continua a girare per inerzia per qualche secondo.

4. Dopo l'operazione, installare la protezione sulla lama.

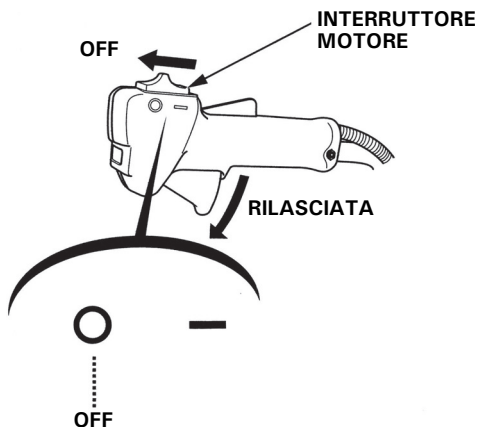
AVVERTENZA:

Notare che la lama continua a girare per inerzia anche dopo che il motore è stato arrestato.

HHH25D:



HHH25S:



9. MANUTENZIONE

▲ ATTENZIONE

- **Prima di effettuare qualsiasi intervento di manutenzione, posizionare il tagliaerba su una superficie priva di inclinazioni, arrestare il motore e assicurarsi che l'interruttore del motore sia in posizione OFF onde evitare che il motore possa avviarsi accidentalmente.**
- **Esegui gli interventi di riparazione solo se si dispone di attrezzi e conoscenze adeguate, altrimenti rivolgersi ad un concessionario autorizzato Honda.**

AVVERTENZA:

Per gli interventi di manutenzione o riparazione usare esclusivamente i ricambi originali Honda o equivalenti. L'uso di particolari di ricambio di qualità non equivalente potrebbe danneggiare il tagliaerba.

Per garantire un alto livello di prestazioni del prodotto Honda HHH25D/HHH25S sono indispensabili regolazioni e interventi di manutenzione periodici. Una manutenzione regolare contribuisce anche a prolungarne la durata di servizio. Nella tabella riportata a pagina 45, sono indicati gli intervalli ed il tipo di manutenzione richiesti.

Per una durata più lunga e una migliore efficienza del prodotto, pulire la lama da rami, foglie, ecc. dopo ogni utilizzo.

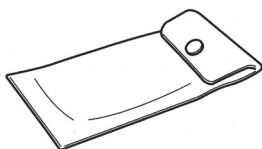
Programma di manutenzione

INTERVALLO DI MANUTENZIONE PERIODICA (3) Da eseguire nei mesi indicati o alla scadenza delle ore di utilizzo, a seconda di quale evento si verifichi per primo.		A ogni utilizzo	Primo mese o dopo 10 ore	Ogni 3 mesi o dopo 25 ore	Ogni 6 mesi o dopo 50 ore	Ogni anno o dopo 100 ore	Ogni 2 anni o dopo 300 ore	Fare riferimento alla pagina
VOCE								
Olio motore	Controllare il livello	o						25
	Sostituire		o		o			47
Filtro aria	Controllare	o						30
	Pulire			o (1)				49
Candela	Controllare-regolare					o		50
	Sostituire						o	50
Cavo acceleratore	Controllare	o						31
Leva acceleratore	Controllare	o						31
Manico posteriore (HHH25D)	Controllare	o						31
Lama	Controllare	o						32
Protezione lama	Controllare	o						32
Alette di raffreddamento motore	Controllare				o			54
Dadi, bulloni, dispositivi di fissaggio	Controllare (serrare nuovamente se necessario)	o						33
Parascintille (in dotazione)						o		52
Serbatoio carburante	Pulire					o		56
Filtro carburante	Controllare					o		55
Ganasce e tamburo della frizione	Controllare				o (2)			—
Scatola ingranaggi	Lubrificare con grasso	Ogni anno o 20 ore (2)						—
Regime minimo	Controllare-regolare		o (2)		o (2)			—
Gioco valvole	Controllare-regolare					o (2)		—
Camera di combustione	Pulire	Ogni 300 ore (2)						—
Tubi carburante	Controllare	Ogni 2 anni (sostituire se necessario) (2)						—
Tubo olio	Controllare	Ogni 2 anni (sostituire se necessario) (2)						—

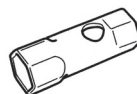
- (1) Quando si utilizza la macchina in zone polverose, eseguire le operazioni di assistenza con maggiore frequenza.
- (2) La manutenzione di queste parti deve essere effettuata da un concessionario Honda.
- (3) Annotare le ore di utilizzo per stabilire gli intervalli di manutenzione.

Kit attrezzi

Gli attrezzi forniti servono per interventi periodici di manutenzione, per regolazioni e riparazioni semplici.



**BORSA
ATTREZZI**



CHIAVE PER CANDELE



CHIAVE



**MANICO PER CHIAVE
CANDELE**



CHIAVE ESAGONALE

1. Sostituzione olio motore

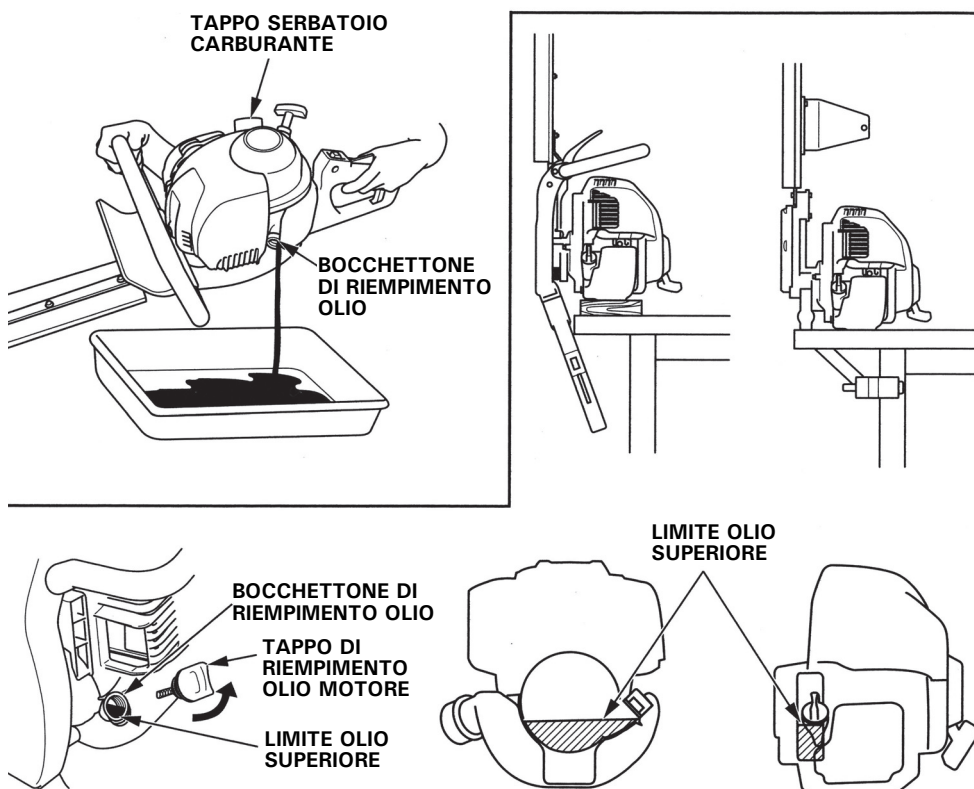
NOTA:

Per un drenaggio rapido e completo, scaricare l'olio con il motore ancora caldo.

1. Controllare che il tappo del serbatoio carburante sia serrato saldamente.
2. Rimuovere il tappo del filtro olio e scaricare l'olio nel contenitore olio inclinando il tagliasiepi verso il bocchettone di riempimento olio.
3. Rifornire con l'olio raccomandato (vedere pagina 26) e controllare il livello (vedere pagina 25).
4. Installare il tappo di riempimento olio.

CAPACITÀ OLIO MOTORE: 0,08 l

Dopo aver maneggiato l'olio esausto, lavare le mani con acqua e sapone.



NOTA:

Smaltire l'olio esausto secondo metodi e procedure conformi al rispetto dell'ambiente. Trasportarlo in un contenitore sigillato alla stazione di rifornimento locale. Non gettarlo nella spazzatura, né versarlo a terra o nei condotti di scarico.

2. Manutenzione del filtro dell'aria

Un filtro dell'aria sporco limita il flusso d'aria verso il carburatore. Per evitare un funzionamento irregolare del carburatore, controllare regolarmente il filtro dell'aria. Effettuare una manutenzione più frequente se si utilizza il tagliasiepi in ambienti particolarmente polverosi.

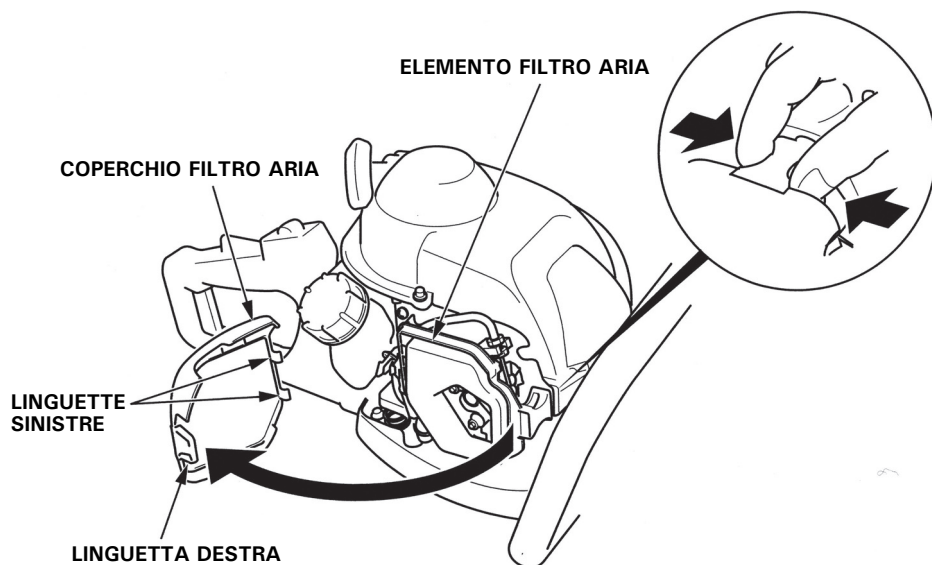
⚠ ATTENZIONE

Non usare mai benzina o solventi a basso punto di infiammabilità per pulire l'elemento del filtro dell'aria. Potrebbe verificarsi un incendio o esplosione.

AVVERTENZA:

Non avviare mai il motore senza filtro dell'aria. Ciò causerebbe una rapida usura del motore.

1. Spostare la leva dell'aria nella posizione CHIUSA (vedere pagina 23).
2. Rimuovere il coperchio del filtro aria sganciando la linguetta destra e le due linguette sinistre del coperchio stesso.
3. Lavare l'elemento con del solvente non infiammabile o a basso grado di infiammabilità e lasciare asciugare accuratamente.
4. Immergere l'elemento in olio motore pulito e strizzarlo per eliminare l'olio in eccesso.
5. Reinstallare l'elemento del filtro dell'aria.
6. Installare nuovamente il coperchio del filtro aria inserendo prima le linguette sinistre e poi la linguetta destra.



3. Manutenzione della candela

Candela raccomandata: CMR5H (NGK)

Per assicurare il funzionamento corretto del motore, la distanza tra gli elettrodi deve essere corretta e priva di depositi.

▲ ATTENZIONE

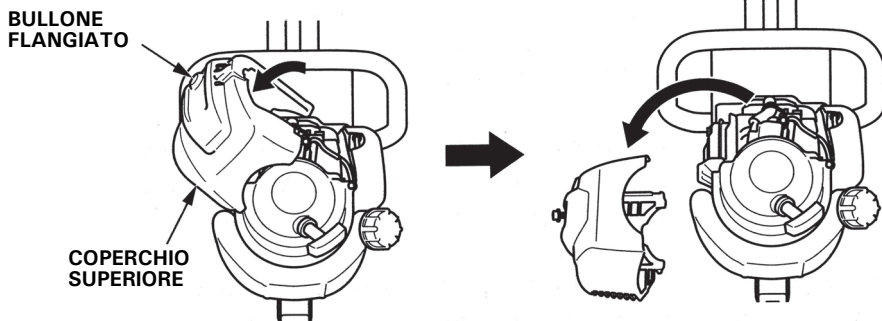
Se il motore è stato in moto, il silenziatore sarà molto caldo; fare attenzione a non toccare il silenziatore.

AVVERTENZA:

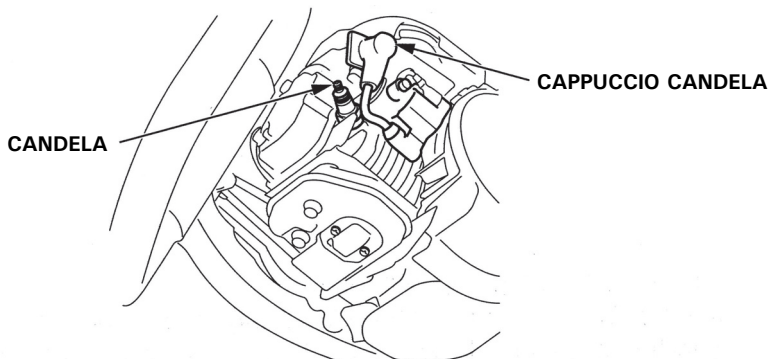
Non utilizzare mai una candela con grado termico non adeguato.

1. Allentare il bullone flangiato con una chiave esagonale.
2. Rimuovere il coperchio superiore facendolo scorrere verso sinistra.

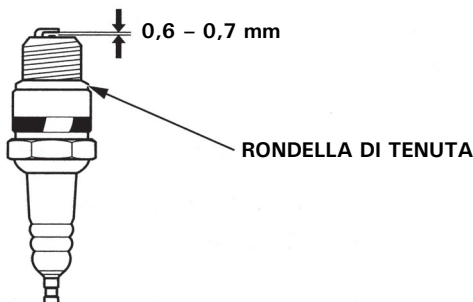
Non tirare la maniglia di avviamento e non avviare il motore senza coperchio superiore. Sotto il coperchio sono presenti componenti rotanti e componenti che si riscaldano molto.



3. Rimuovere la sporcizia attorno alla candela.
4. Rimuovere il cappuccio della candela e usare la chiave della dimensione adatta per rimuovere la candela.



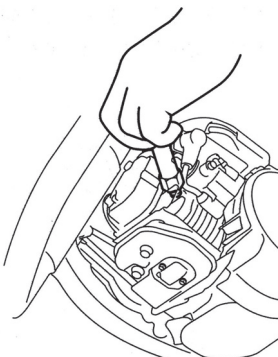
-
5. Eseguire un'ispezione visiva della candela. Scartare la candela se appare usurata o se l'isolatore è rotto o scheggiato. Se si riutilizza la candela, pulirla con una spazzola metallica.
6. Misurare la distanza fra gli elettrodi con uno spessore. Se necessario, correggere la distanza piegando l'elettrodo laterale. La distanza deve essere:
0,6 – 0,7 mm



7. Controllare che la rondella di tenuta sia in buono stato e avvitare manualmente la candela, così da evitare il rischio di installarla in modo non corretto.
8. Quando la candela è in sede, serrare con una chiave per candele per comprimere la rondella. Quando si installa una candela nuova, serrarla di 1/2 giro dopo averla avvitata manualmente, in modo da comprimere la rondella. Quando si reinstalla una candela usata, serrarla di 1/8 – 1/4 di giro dopo averla collocata in sede, in modo da comprimere la rondella.

AVVERTENZA:

La candela deve essere serrata saldamente. Una candela serrata in modo non corretto può surriscaldarsi e danneggiare così il motore.



9. Attaccare saldamente il cappuccio della candela.
10. Installare il coperchio superiore e serrare saldamente il bullone flangiato. Fare attenzione a non abbassare la guarnizione quando si installa il coperchio superiore.

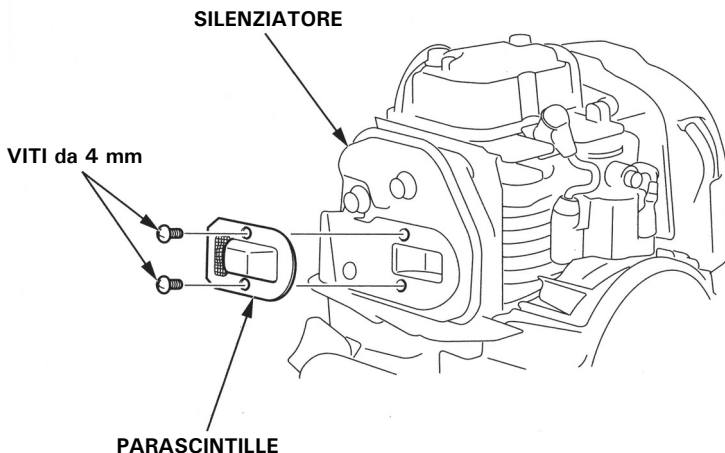
4. Parascintille (solo tipi che ne sono dotati)

▲ ATTENZIONE

Se il motore è stato in moto, il silenziatore sarà molto caldo; fare attenzione a non toccare il silenziatore.

La manutenzione del parascintille deve essere effettuata ogni 100 ore per garantire la funzionalità secondo quanto progettato.

1. Allentare il bullone flangiato con una chiave esagonale (vedere pagina 50).
2. Rimuovere il coperchio superiore facendolo scorrere verso sinistra (vedere pagina 50).
Non tirare la maniglia di avviamento e non avviare il motore senza coperchio superiore.
Sotto il coperchio sono presenti componenti rotanti e componenti che si riscaldano molto.
3. Rimuovere le viti da 4 mm dal parascintille e rimuovere il parascintille dal silenziatore.



4. Usare una spazzola per togliere i depositi carboniosi dallo schermo del parascintille.

Evitare di danneggiarne lo schermo.

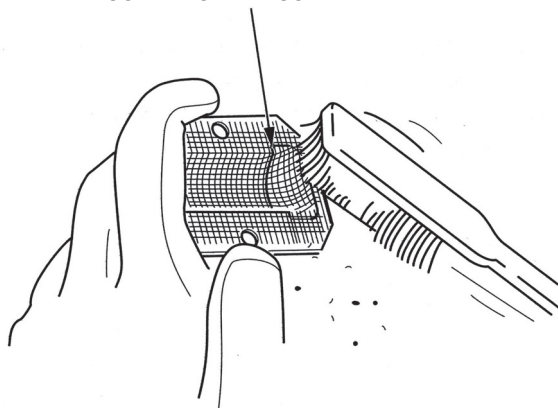
Il parascintille non deve presentare incrinature o fori. Se danneggiato o eccessivamente sporco, farlo controllare ed eventualmente riparare presso un concessionario autorizzato Honda.

5. Installare il parascintille nell'ordine inverso rispetto alla rimozione.

6. Installare il coperchio superiore e serrare saldamente il bullone flangiato.

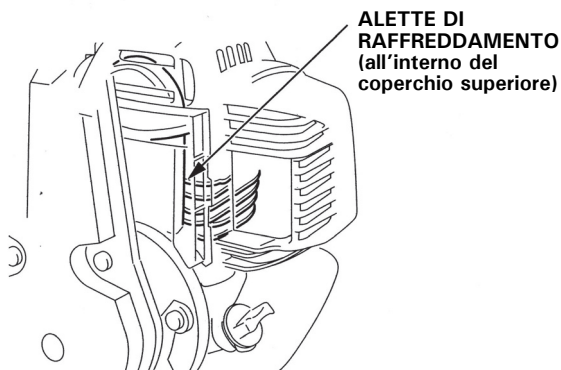
Fare attenzione a non abbassare la guarnizione quando si installa il coperchio superiore.

SCHERMO PARASCINTILLE



5. Verifica delle alette di raffreddamento del motore

Controllare visivamente le alette di raffreddamento attraverso il coperchio superiore. In presenza di ostruzioni causate da erba secca, foglie e fango, rivolgersi al proprio concessionario Honda autorizzato per la pulizia.

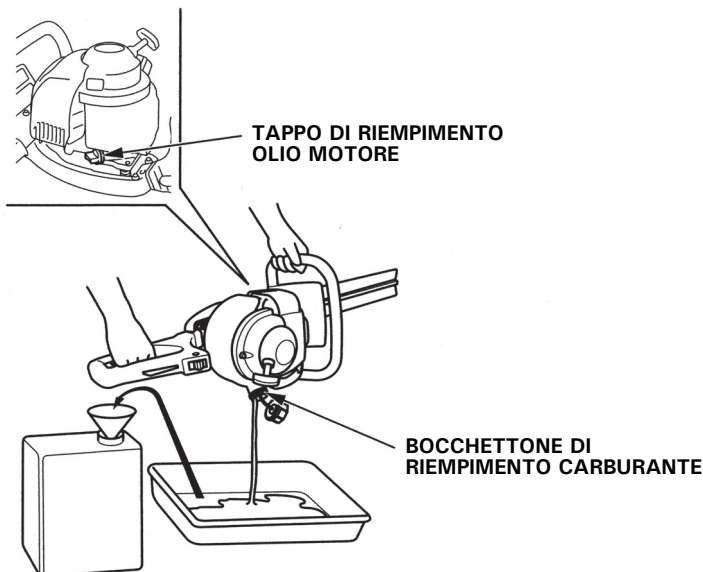


6. Manutenzione del filtro carburante

⚠ ATTENZIONE

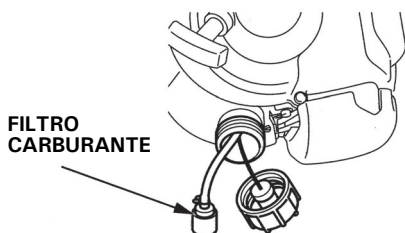
La benzina è estremamente infiammabile e, in determinate condizioni, esplosiva. Non fumare e tenere fiamme e scintille lontane dalla zona.

1. Controllare che il tappo di riempimento olio motore sia serrato saldamente.
2. Rimuovere il tappo del serbatoio carburante e scaricare il carburante in un contenitore apposito inclinando il tagliasiepi verso il bocchettone di riempimento carburante.

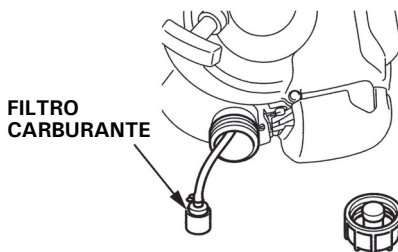


3. Estrarre delicatamente il filtro carburante dal bocchettone di riempimento carburante per mezzo di un cavo meccanico.
4. Controllare se il filtro carburante è sporco. Se il filtro carburante è sporco, lavarlo delicatamente con un solvente non infiammabile o a basso grado di infiammabilità. Se il filtro carburante è eccessivamente sporco, sostituirlo.

< Tipo per l'Europa >



< Eccetto tipo per l'Europa >



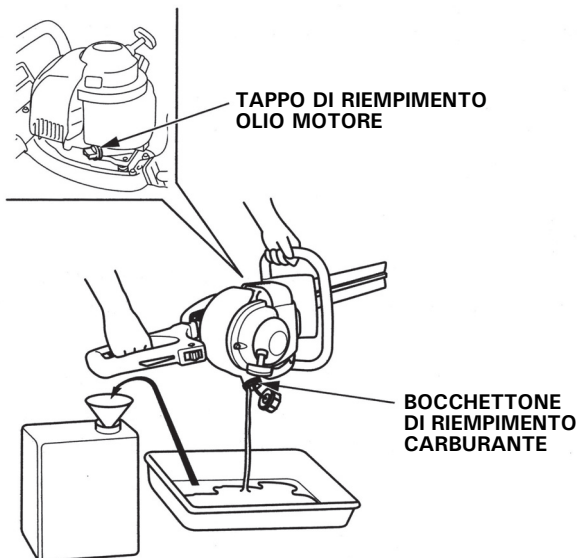
5. Installare nuovamente il filtro carburante nel serbatoio e serrare saldamente il tappo del serbatoio carburante.

7. Pulizia del serbatoio carburante

▲ ATTENZIONE

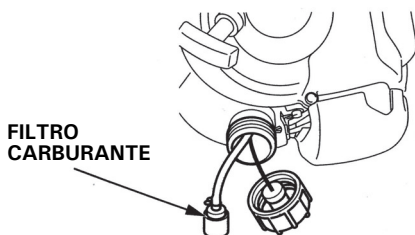
La benzina è estremamente infiammabile e, in determinate condizioni, esplosiva. Non fumare e tenere fiamme e scintille lontane dalla zona.

1. Controllare che il tappo di riempimento olio motore sia serrato saldamente.
2. Rimuovere il tappo del serbatoio carburante e scaricare il carburante in un contenitore apposito inclinando il tagliaerba verso il bocchettone di riempimento carburante.

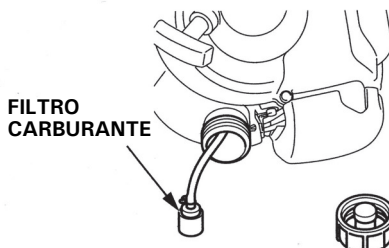


3. Estrarre delicatamente il filtro carburante dal bocchettone di riempimento carburante per mezzo di un cavo meccanico.
4. Eliminare l'acqua e la sporcizia presenti nel serbatoio carburante sciacquando l'interno del serbatoio con un solvente non infiammabile o a basso grado di infiammabilità.

< Tipo per l'Europa >



< Eccetto tipo per l'Europa >



5. Installare nuovamente il filtro carburante nel serbatoio e serrare saldamente il tappo del serbatoio carburante.

Per conservare in buone condizioni il tagliaerba è necessario predisporre un corretto rimessaggio. I seguenti punti aiutano a evitare che ruggine e corrosione rovinino il tagliaerba.

AVVERTENZA:

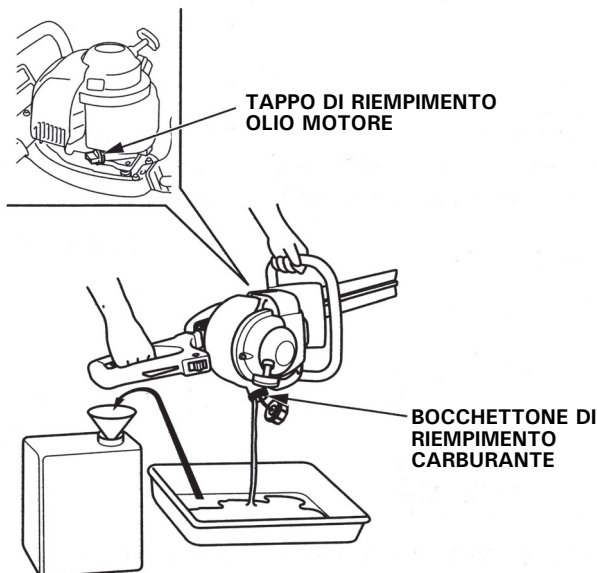
- Dopo il suo utilizzo, il motore è molto caldo; lasciarlo quindi raffreddare prima di procedere.
- Posizionare il tagliaerba su una superficie priva di inclinazioni e rimuovere il cappuccio della candela onde evitare che il motore venga avviato accidentalmente.

1. Pulire tutte le superfici esterne, ritoccare tutti i punti in cui la vernice è danneggiata e passare un leggero strato d'olio sulle altre parti che potrebbero arrugginirsi.
2. Scaricare il carburante.

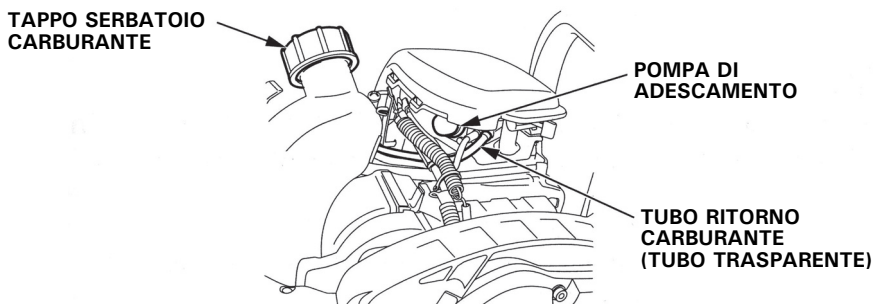
▲ ATTENZIONE

La benzina è estremamente infiammabile e, in determinate condizioni, esplosiva. Non fumare e tenere fiamme e scintille lontane dalla zona.

- a. Assicurarsi che il tappo del filtro olio del motore sia ben serrato.
- b. Rimuovere il tappo del serbatoio carburante e scaricare il carburante in un contenitore apposito inclinando il tagliaerba verso il bocchettone di riempimento carburante.



-
- c. Premere la pompa di adescamento diverse volte fino a quando il carburante rimasto nel tubo di ritorno (tubo trasparente) sarà tornato nel serbatoio.



- d. Inclinare di nuovo il tagliaerba verso il bocchettone di riempimento carburante per scaricare il carburante presente nel serbatoio in un contenitore apposito.
- e. Serrare bene il tappo del serbatoio carburante dopo aver scaricato completamente il carburante.
3. Sostituire l'olio motore (vedere pagina 47).
 4. Pulire il filtro aria (vedere pagina 49).
 5. Allentare il bullone flangiato con una chiave esagonale, quindi rimuovere il coperchio superiore (vedere pagina 50).
 6. Rimuovere la candela (vedere pagina 50).
 7. Applicare un paio di gocce di olio motore pulito nel cilindro.
 8. Installare provvisoriamente il coperchio superiore.
 9. Tirare la maniglia del motorino di avviamento diverse volte per distribuire l'olio nel cilindro.
 10. Rimuovere il coperchio superiore, quindi reinstallare la candela.
 11. Installare il coperchio superiore e serrare saldamente il bullone flangiato.
 12. Tirare lentamente la maniglia di avviamento fino ad avvertire resistenza.
 13. Applicare olio sulla lama.
 14. Installare il coperchio nella lama.
 15. Tenere il tagliaerba lontano dalla portata dei bambini in un luogo al riparo da umidità e polvere.
 16. Coprire il tagliaerba per ripararlo dalla polvere.

Se il motore non si avvia:

1. L'interruttore del motore è in posizione ON?
2. È presente carburante all'interno del serbatoio carburante (vedere pagina 27)?

▲ ATTENZIONE

La benzina è estremamente infiammabile e, in determinate condizioni, esplosiva. Non fumare e tenere fiamme e scintille lontane dalla zona.

3. La benzina raggiunge il carburatore?
Per eseguire il controllo, premere più volte la pompa di adescamento (vedere pagina 35).
4. La candela è in buone condizioni?
Rimuovere e controllare la candela. Pulire, regolare nuovamente la distanza tra gli elettrodi e asciugare la candela. Sostituirla se necessario (vedere pagina 50).
5. Se risulta ancora impossibile avviare il motore, portare il tagliaiepi presso un concessionario autorizzato Honda.

In caso di vibrazioni anomale durante il funzionamento, spegnere immediatamente il motore e controllare se la lama è installata correttamente e serrata saldamente, quindi controllare se sono presenti segni di usura, rotture o altri tipi di danno (vedere pagina 32).

12. SPECIFICHE TECNICHE

Modello	HHH25D
Codice descrizione prodotti a motore	UTBJ

Telaio

Tipo	60ET, 60UT	75ET, 75UT
Tipo di lama	Doppia lama	
Lunghezza totale	1.080 mm	1.220 mm
Larghezza totale	312 mm	
Altezza totale	259 mm	
Massa a secco [peso]	6,3 kg	6,6 kg
Tipo di frizione	Frizione centrifuga	
Lunghezza della lama	580 mm	720 mm

Rumorosità e vibrazioni

Tipo	60ET	60UT	75ET	75UT
Livello di pressione acustica percepita dall'operatore EN774: 1996/A3: 2001	92 dB (A)	—	90 dB (A)	—
Margine	3 dB (A)	—	2 dB (A)	—
Livello di potenza sonora misurata (2000/14/CE, 2005/88/CE)	101 dB (A)	—	102 dB (A)	—
Margine	3 dB (A)	—	2 dB (A)	—
Livello di potenza sonora garantito (2000/14/CE, 2005/88/CE)	104 dB (A)	—	104 dB (A)	—
Livello di pressione acustica Standard per Australia Nuovo Galles del Sud	—	82 dB (A)	—	82 dB (A)
Livello di vibrazioni al braccio (EN774: 1996/A3: 2001)	Ant.	5,2 m/s ²		5,2 m/s ²
	Post.	6,9 m/s ²		6,9 m/s ²
Margine (EN12096: 1997 Allegato D)	Ant.	2,1 m/s ²		2,1 m/s ²
	Post.	2,8 m/s ²		2,8 m/s ²

Le specifiche possono essere soggette a modifiche senza preavviso.

Motore

Modello motore	GX25T
Codice descrittivo motore	GCALT
Tipo di motore	4 tempi, albero a camme in testa, monocilindrico
Cilindrata	25,0 cm ³
Alesaggio × corsa	35,0 × 26,0 mm
Potenza netta motore (in base alla normativa SAE J1349*)	0,72 kW (1,0 PS)/7.000 giri/min
Coppia massima del motore (in base alla normativa SAE J1349*)	1,0 N·m (0,10 kgf·m)/5.000 giri/min
Sistema di raffreddamento	Aria forzata
Sistema di accensione	Magnete transistorizzato
Capacità olio	0,08 l
Capacità serbatoio carburante	0,45 litri
Candela	NGK: CMR5H

*: La potenza nominale del motore indicata in questo documento si riferisce alla potenza netta rilevata su questo modello di motore in fase di produzione ed è stata misurata secondo la procedura SAE J1349 a 7.000 giri/min (potenza netta motore) e a 5.000 giri/min (coppia netta del motore). Questo valore potrebbe variare per i motori prodotti in serie.

L'effettiva potenza in uscita del motore installato sulla macchina dipende da diversi fattori, compresa la velocità di funzionamento del motore in uso, le condizioni ambientali, la manutenzione e altre variabili.

Messa a punto

VOCE	SPECIFICHE	MANUTENZIONE
Traferro candela	0,6 – 0,7 mm	Vedere pagina: 50
Gioco valvole (a freddo)	ASP.: 0,08 ± 0,02 mm SCA: 0,11 ± 0,02 mm	Contattare il concessionario autorizzato Honda
Altre specifiche	Nessuna altra regolazione necessaria	

Le specifiche possono essere soggette a modifiche senza preavviso.

Modello	HHH25S
Codice descrizione prodotti a motore	UTAJ

Telaio

Tipo	75ET
Tipo di lama	Lama singola
Lunghezza totale	1.125 mm
Larghezza totale	310 mm
Altezza totale	259 mm
Massa a secco [peso]	5,8 kg
Tipo di frizione	Frizione centrifuga
Lunghezza della lama	720 mm

Rumorosità e vibrazioni

Tipo	75ET	
Livello di pressione acustica percepita dall'operatore EN774: 1996/A3: 2001	90 dB (A)	
Margine	3 dB (A)	
Livello di potenza sonora misurata (2000/14/CE, 2005/88/CE)	101 dB (A)	
Margine	3 dB (A)	
Livello di potenza sonora garantito (2000/14/CE, 2005/88/CE)	104 dB (A)	
Livello di pressione acustica Standard per Australia Nuovo Galles del Sud	—	
Livello di vibrazioni al braccio (EN774: 1996/A3: 2001)	Ant.	12,3 m/s ²
	Post.	5,4 m/s ²
Margine (EN12096: 1997 Allegato D)	Ant.	4,9 m/s ²
	Post.	2,2 m/s ²

Le specifiche possono essere soggette a modifiche senza preavviso.

Motore

Modello motore	GX25T
Codice descrittivo motore	GCALT
Tipo di motore	4 tempi, albero a camme in testa, monocilindrico
Cilindrata	25,0 cm ³
Alesaggio × corsa	35,0 × 26,0 mm
Potenza netta motore (in base alla normativa SAE J1349*)	0,72 kW (1,0 PS)/7.000 giri/min
Coppia massima del motore (in base alla normativa SAE J1349*)	1,0 N·m (0,10 kgf·m)/5.000 giri/min
Sistema di raffreddamento	Aria forzata
Sistema di accensione	Magnete transistorizzato
Capacità olio	0,08 l
Capacità serbatoio carburante	0,45 litri
Candela	NGK: CMR5H

*: La potenza nominale del motore indicata in questo documento si riferisce alla potenza netta rilevata su questo modello di motore in fase di produzione ed è stata misurata secondo la procedura SAE J1349 a 7.000 giri/min (potenza netta motore) e a 5.000 giri/min (coppia netta del motore). Questo valore potrebbe variare per i motori prodotti in serie.

L'effettiva potenza in uscita del motore installato sulla macchina dipende da diversi fattori, compresa la velocità di funzionamento del motore in uso, le condizioni ambientali, la manutenzione e altre variabili.

Messa a punto

VOCE	SPECIFICHE	MANUTENZIONE
Traferro candela	0,6 – 0,7 mm	Vedere pagina: 50
Gioco valvole (a freddo)	ASP.: 0,08 ± 0,02 mm SCA: 0,11 ± 0,02 mm	Contattare il concessionario autorizzato Honda
Altre specifiche	Nessuna altra regolazione necessaria	

Le specifiche possono essere soggette a modifiche senza preavviso.

"EC Declaration of Conformity" CONTENT OUTLINE
"CE-Déclaration de conformité" DESCRIPTION DE TABLE DES MATIERES
"EU-Konformitätserklärung" INHALTSÜBERSICHT
DESCRIPCIÓN GENERAL DEL CONTENIDO DE LA "Declaración de Conformidad CE"
DESCRIZIONE DEL CONTENUTO DELLA "Dichiarazione CE di Conformità"

EC Declaration of Conformity

1. The undersigned, *2, on behalf of the authorized representative, herewith declares that the machinery described below fulfils all the relevant provisions of:
- Directive 2006/42/EC on machinery
 - Directive 2014/30/EU on electromagnetic compatibility
 - Directive 2000/14/EC – 2005/88/EC on outdoor noise

2. Description of the machinery

- a) Product: Hedge trimmer
 b) Function: trimming hedges

c) Model	d) Type	e) Serial number
*1	*1	

3. Manufacturer
 Honda Motor Co., Ltd.
 2-1-1 Minamiaoyama
 Minato-ku, Tokyo, JAPAN

4. Authorized representative and able to compile the technical documentation
 Honda Motor Europe Ltd.
 Cain Road, Bracknell, RG12 1HL
 (United Kingdom)

5. References to harmonized standards	6. Other standards or specifications
EN ISO 10517:2009+A1:2013	-

7. Outdoor noise Directive

- a) Measured sound power dB(A): *1
 b) Guaranteed sound power dB(A): *1
 c) Noise parameter (kW/min⁻¹): *1
 d) Conformity assessment procedure: *2
 e) Notified body: -

8. Done at: Aalst , BELGIUM

9. Date: *2

*2

Manager Homologation Department

*1: see specification page.

*2: see original EC Declaration of Conformity.

*1: voir page de spécifications

*2: voir la Déclaration de conformité EC originale

*1: Siehe Spezifikationen-Seite

*2: Siehe ursprüngliche EC-Konformitätserklärung

*1: consulte la página de las especificaciones

*2: ver Declaración de conformidad EC original

*1: vedi la pagina delle caratteristiche tecniche

*2: V. Dichiarazione di conformità EC originale

*1: Zie specificities pagina

*2: Zie ook de originele EC-conformiteitsverklaring

<p>Français. (French) Déclaration CE de Conformité 1. Le sous signé, "2, de la part du représentant autorisé, déclare que la machine décrit ci-dessous répond à toutes les dispositions applicables de :</p> <ul style="list-style-type: none"> * Directive Machine 2006/42/CE * Directive 2014/30/UE sur la compatibilité électromagnétique * Directive 2000/14/CE - 2005/88/CE des émissions sonores dans l'environnement des matériels destinés à être utilisés à l'extérieur des bâtiments <p>2. Description de la machine a) Produit : Taille-haie b) Fonction : tailler une haie c) Modèle d) Type e) Numéro de série 3. Constructeur 4. Représentant autorisé et en charge des éditions de documentation techniques 5. Référence aux normes harmonisées 6. Autres normes et spécifications 7. Directive des émissions sonores dans l'environnement des matériels destinés à être utilisés à l'extérieur des bâtiments</p> <p>a) Puissance acoustique mesurée b) Puissance acoustique garantie c) Paramètre du bruit d) Procédure d'évaluation de conformité e) Organisme notifié 8. Fait à 9. Date</p>	<p>Italiano (Italian) Dichiarazione CE di Conformità 1. Il sottoscritto, "2, in qualità di rappresentante autorizzato, dichiara qui di seguito che la macchina sotto descritta soddisfa tutte le disposizioni pertinenti delle:</p> <ul style="list-style-type: none"> * Direttiva macchine 2006/42/CE * Direttiva sulla compatibilità elettromagnetica 2014/30/UE * Direttiva sulla emissione acustica delle macchine e attrezzature destinate a funzionare all'aperto 2000/14/CE - 2005/88/CE <p>2. Descrizione della macchina a) Prodotto: Tagliasiepi b) Funzione: Taglio di siepi c) Modello d) Tipo e) Numero di serie 3. Costruttore 4. Rappresentante autorizzato e competente per la compilazione della documentazione tecnica 5. Riferimento agli standard armonizzati 6. Altri standard o specifiche 7. Direttiva sulla emissione acustica delle macchine e attrezzature destinate a funzionare all'aperto</p> <p>a) Livello di potenza sonora misurato b) Livello di potenza sonora garantito c) Parametri emissione acustica d) Procedura di valutazione della conformità e) Organismo notificato 8. Fatto a 9. Data</p>	<p>Deutsch (German) EG-Konformitätserklärung 1. Der Unterzeichner, "2 erklärt hiermit im Namen der Bevollmächtigte, dass das hierunter genannte Maschine allen einschlägigen Bestimmungen der * entspricht.</p> <ul style="list-style-type: none"> * Maschinenrichtlinie 2006/42/EG * Richtlinie der Elektromagnetischen Kompatibilität 2014/30/UE * Geräuschrichtlinie im Freien 2000/14/EG - 2005/88/EG <p>2. Beschreibung der Maschine a) Produkt : Heckenschere b) Funktion : Hecke schneiden c) Modell d) Typ e) Seriennummer 3. Hersteller 4. Bevollmächtigter und in der Position, die technische Dokumentation zu erstellen 5. Verweis auf harmonisierte Normen 6. Andere Normen oder Spezifikationen 7. Geräuschrichtlinie im Freien</p> <p>a) gemessene Lautstärke b) Schalleistungspegel c) Geräuschvorgabe d) Konformitätsbewertungs Ablauf e) Benannte Stelle 8. Ort 9. Datum</p>
<p>Nederlands (Dutch) EG-verklaring van overeenstemming 1. Ondergetekende, "2, in naam van de gemachtigde van de fabrikant, verklaart hiermee dat het hieronder beschreven machine voldoet aan alle toepasselijke bepalingen van :</p> <ul style="list-style-type: none"> * Richtlijn 2006/42/EG betreffende machines * Richtlijn 2014/30/UE betreffende elektromagnetische overeenstemming * Richtlijn 2000/14/EG - 2005/88/EG betreffende geluidsemissie (openlucht) <p>2. Beschrijving van de machine a) Product : Heggenschaar b) Functie : hagen scheren c) Model d) Type e) Serienummer 3. Fabrikant 4. Gemachtigde van de fabrikant en in staat om de technische documentatie samen te stellen 5. Referereer naar geharmoniseerde normen 6. Andere normen of specificaties 7. Geluidsemissierichtlijn (openlucht)</p> <p>a) Gemeten geluidsvermogensniveau b) Gewaarborgd geluidsvermogensniveau c) Geluidsparameter d) Conformiteitsbeoordelingsprocedure e) Aangemelde instantie 8. Plaats 9. Datum</p>	<p>Dansk (Danish) EF OVERENSTEMMELSEERKLÆRING 1. UNDERTEGNEDE, "2, PÅ VEGNE AF DEN AUTORISEREDRE REPRÆSENTANT, ERKLÆVER HERMED AT MASKINEN, SOM ER BESKREVET NEDENFOR, OPFYLDER ALLE RELEVANTE BESTEMMELSER IFØLGE:</p> <ul style="list-style-type: none"> * MASKINDIREKTIV 2006/42/EF * EMC-DIREKTIV 2014/30/UE * DIREKTIV OM STØJEMMISSION 2000/14/EF - 2005/88/EF <p>2. BESKRIVELSE AF PRODUKTET a) Produkt : Hækkeklipper b) ANVENDELSE : Hækkeklipping c) Model d) TYPE e) SERIENUMMER 3. PRODUCENT 4. AUTORISERET REPRÆSENTANT OG I STAND TIL AT UDARBEJDE DEN TEKNISKE DOKUMENTATION 5. REFERENCE TIL HARMONISEREDRE STANDARDER 6. ANDRE STANDARDER ELLER SPECIFIKATIONER 7. DIREKTIV OM STØJEMMISSION FRA MASKINER TIL UDENDØRS BRUG</p> <p>a) MÅLT LYDEFFEKTNIVEAU b) GARANTERET LYDEFFEKTNIVEAU c) STØJPARAMETER d) PROCEDURE FOR OVERENSSTEMMELSESVURDERING e) BEMYNDIGET ORGAN 8. STED 9. DATO</p>	<p>Ελληνικά (Greek) ΕΚ-Δήλωση συμμόρφωσης 1. Ο κάτωθι υπογεγραμμένος "2, εκ μέρους του εξουσιοδοτημένου αντιπροσώπου με το παρών δηλώνω ότι το παρακάτω περιγραφόμενο όχημα πληροί όλες τις σχετικές προδιαγραφές του:</p> <ul style="list-style-type: none"> * Οδηγία 2006/42/ΕΚ για μηχανές * Οδηγία 2014/30/ΕΕ για την ηλεκτρομαγνητική συμβατότητα * Οδηγία 2000/14/ΕΚ - 2005/88/ΕΚ για το επίπεδο θορύβου σε εξωτερικούς χώρους <p>2. Περιγραφή μηχανήματος a) προϊόν : Χαλίκι Μηχανοκλάστη b) Λειτουργία : για διαμόρφωση θάμνων c) Μοντέλο d) Τύπος e) Αριθμός σειράς παραγωγής 3. Κατασκευαστής 4. Εξουσιοδοτημένος αντιπρόσωπος και είναι σε θέση να καταρτίσει τον τεχνικό φάκελο 5. Αναφορά σε εναρμονισμένα πρότυπα 6. Λοιπά πρότυπα ή προδιαγραφές 7. Οδηγία επίπεδου θορύβου εξωτερικών χώρων</p> <p>a) Μετρηθείσα ηχητική ένταση b) Εγγυημένη ηχητική ένταση c) Ηχητική παράμετρος d) Διαδικασία πιστοποίησης e) Οργανισμός πιστοποίησης 8. Η δοκιμή έγινε 9. Ημερομηνία</p>
<p>Svenska (Swedish) EG-försäkran om överensstämmelse 1. Undertecknad, "2, på uppdrag av auktoriserad representant, deklarerar härmed att maskinen beskriven nedan fullföljer alla relevanta bestämmelser enligt :</p> <ul style="list-style-type: none"> * Direktiv 2006/42/EG gällande maskiner * Direktiv 2014/30/UE gällande elektromagnetisk kompatibilitet * Direktiv 2000/14/EG - 2005/88/EG gällande buller utomhus <p>2. Maskinbeskrivning a) Produkt : Häcksax b) Funktion : häckklippning c) Modell d) Typ e) Serienummer 3. Tillverkare 4. Auktoriserad representant och ska kunna sammanställa teknisk dokumentationen 5. referens till överensstämmelse standarder 6. Andra standarder eller specifikationer 7. Direktiv för buller utomhus</p> <p>a) Uppmått ljudnivå b) Garanterad ljudnivå c) Buller parameter d) Förfarande för bedömning e) Anmälda organ 8. Utfärdat vid 9. Datum</p>	<p>Español (Spanish) Declaración de Conformidad CE 1. El abajo firmante, "2, en representación del representante autorizado, adjunto declara que la máquina abajo descrita, cumple las cláusulas relevantes de:</p> <ul style="list-style-type: none"> * Directiva 2006/42/CE de maquinaria * Directiva 2014/30/UE de compatibilidad electromagnética * Directiva 2000/14/CE - 2005/88/CE de ruido exterior <p>2. Descripción de la máquina a) Producto : Cortasetos b) Función : Cortar vallas de setos c) Modelo d) Tipo e) Número de serie f) Fabricante 4. Representante autorizado que puede compilar el expediente técnico 5. Referencia de los estándares armonizados 6. Otros estándares o especificaciones 7. Directiva sobre ruido exterior</p> <p>a) Potencia sonora Medida b) Potencia sonora Garantizada c) Parámetros ruido d) Procedimiento evaluación conformidad e) Organismo notificado 8. Realizado en 9. Fecha</p>	<p>Română (Romanian) CE-Declarație de Conformitate 1. Subsemnatul "2, în numele reprezentantului autorizat, declar prin prezenta faptul ca echipamentul descris mai jos îndeplinește toate condițiile necesare din:</p> <ul style="list-style-type: none"> * Directiva 2006/42/CE privind echipamentul * Directiva 2014/30/UE privind compatibilitatea electromagnetica * Directiva 2000/14/CE - 2005/88/CE privind poluarea fonica în spațiu deschis <p>2. Descrierea echipamentului a) Produsul : Masina de tuns gard viu b) Domeniul de utilizare : fasonarea gardului viu c) Model d) Tip e) Serie produs f) Producator 4. Reprezentant autorizat și abilitat să realizeze documentație tehnică 5. Referința la standardele armonizate 6. Altele standarde sau norme 7. Directiva privind poluarea fonica în spațiu închis</p> <p>a) Putere acustică măsurată b) Putere acustică maxim garantată c) Indice poluare fonica d) Procedura de evaluare a conformității e) Notificari 8. Emisa la 9. Data</p>

<p>Português (Portuguese) Declaración CE de Conformidade 1. O abaixo assinado, "2, declara deste modo, em nome do mandatário, que a máquina abaixo descrito cumpre todas as estipulações relevantes da: * Directiva 2006/42/CE relativa às máquinas * Directiva 2014/30/UE relativa à compatibilidade electromagnética * Directiva 2000/14/CE - 2005/88/CE relativa às emissões sonoras para o meio ambiente dos equipamentos para utilização no exterior 2. Descrição da máquina a) Produto : Corta sebes b) Função : corte de sebes c) Modelo d) Tipo e) Número de série 3. Fabricante 4. Mandatário com capacidade para compilar documentação técnica 5. Referência a normas harmonizadas 6. Outras normas ou especificações 7. Directiva relativa às emissões sonoras para o meio ambiente dos equipamentos para utilização no exterior a) Potência sonora medida b) potência sonora garantida c) Parâmetro de ruído d) Procedimento de avaliação da conformidade e) Organismo notificado 8. Feito em 9. Data</p>	<p>Polski (Polish) Deklaracja zgodności WE 1. Niżej podpisany, "2, w imieniu upoważnionego przedstawiciela, niniejszym deklaruje, że urządzenie opisane poniżej spełnia wszystkie odpowiedzialnie postanowienia: * Dyrektywa Maszynowa 2006/42/WE * Dyrektywa Kompatybilności Elektromagnetycznej 2014/30/UE * Dyrektywa Hałasowa 2000/14/WE - 2005/88/WE 2. Opis urządzenia a) Produkt : Nożyce do żywopłotu b) Funkcja : przycinanie żywopłotu c) Model d) Typ e) Numery seryjne 3. Producent 4. Upoważniony Przedstawiciel oraz osoba upoważniona do przygotowania dokumentacji technicznej 5. Zastosowane normy zharmonizowane 6. Pozostałe normy i przepisy 7. Dyrektywa Hałasowa a) Zmierzony poziom mocy akustycznej b) Gwarantowany poziom mocy akustycznej c) Wartość hałasu d) Procedura oceny zgodności e) Jednostka notyfikowana 8. Miejsce 9. Data</p>	<p>Suomi / Suomen kieli (Finnish) EY-VAAITMUSTENMUKAISUUSVAKUUTUS 1. Allekirjoittanut, "2 valtuutettu valmistajan edustaja, vakuuttaa täten että alla mainittu kone/tuote täyttää kaikki seuraavia määräyksiä: * Kone-direktiivi 2006/42/EY * Direktiivi 2014/30/EU sähkömagneettinen yhteensopivuus * Direktiivi 2000/14/EY - 2005/88/EY ympäristön melu 2. TUOTTEEN KUVAUS a) Tuote : Pensasleikkuri b) Toiminto : pensasaitojen leikkaus c) Malli d) TYYPPI e) SARJANUMERO 3. VALMISTAJA 4. Valmistajan edustaja ja teknisten dokumenttien laaia 5. VIITTAUS YHTEISIIN STANDARDEIHIN 6. MUU STANDARDI TAI TEKNISET TIEDOT 7. Ympäristön meludirektiivi a) Mittattu melutaso b) Todenmukainen melutaso c) Melu parametrit d) Yhdenmukaisuuden arvioinnin menetelmä e) Tiedonantoinen 8. TEHTY 9. PÄIVÄMÄÄRÄ</p>
<p>Magyar (Hungarian) EK-megfelelősségi nyilatkozata 1. Alulírott "2, a gyártó cég törvényes képviselőjeként nyilatkozom, hogy az általunk gyártott gép megfelel az összes, alább felsorolt direktívának: * 2006/42/EK Direktívának berendezésekre * 2014/30/EU Direktívának elektromágneses megfeleléségre * 2000/14/KE - 2005/88/EK Direktívának kültéri zajszintre 2. A gép leírása a) Temék : Sövénynyíró b) Funkció : sövény nyírása c) Modell d) Típus e) Sorozatszám 3. Gyártó 4. Meghatalmazott képviselője és képes igazságtalman a műszaki dokumentációt 5. Hivatkozással a szabványokra 6. Más előírások, megjegyzések 7. Kültéri zajszint Direktíva a) Mért hangerő b) Szavatolt hangerő c) Zajszint paraméter d) Megfelelősségi becslési eljárás 8. Kijelölt szervezet 9. Keltezés helye 10. Keltezés ideje</p>	<p>Cestina (Czech) ES – Prohlášení o shodě 1. Podepsaný "2, jako autorizovaná osoba zde potvrzuje, že stroj popsaný níže splňuje požadavky příslušných opatření: * Směrnice 2006/42/ES pro strojí zařízení * Směrnice 2014/30/EU stanovující technické požadavky na výrobky z hlediska elektromagnetické kompatibility * Směrnice 2000/14/ES - 2005/88/ES stanovující technické požadavky na výrobky z hlediska emisí hluku zařízení pro venkovní použití 2. Popis zařízení a) Výrobek : Nůžky na živé ploty b) Funkce : Zastřihávání živých plotů c) Model d) Typ e) Výrobní číslo 3. Výrobce 4. Zplnomocněný zástupce a osoba pověřená kompletací technické dokumentace 5. Odkazy na harmonizované normy 6. Ostatní použité normy a specifikace 7. Směrnice pro hluk pro venkovní použití a) Naměřený akustický výkon b) Garantovaný akustický výkon c) Parametr hluku d) Způsob posouzení shody e) Notifikovaná osoba 8. Podepsáno v 9. Datum</p>	<p>Latviešu (Latvian) EK atbilstības deklarācija 1. "2 ar savu parakstu zem šī dokumenta, autorizēta pārstāvja vārda, paziņo, ka zemāk aprakstītie mašīna, atbilst visām zemāk norādīto direktīvu sadaļām: * Direktīva 2006/42/EK par mašīnām * Direktīva 2014/30/ES attiecībā uz elektromagnētisko savietojamību * Direktīva 2000/14/KE - 2005/88/EK par trokšņa emisiju vidē 2. Iekārtas apraksts a) Produkts : dzīvžogu šķērēis b) Funkcija : dzīvžogu apgriešana c) Modelis d) Tips e) Sērijas numurs 3. Ražotājs 4. Autorizētais pārstāvis, kas spēj sastādīt tehnisko dokumentāciju 5. Atsaucē uz saskaņotajiem standartiem 6. Citi noteiktie standarti vai specifikācijas 7. Ārējo trokšņu Direktīva a) Izmērītā trokšņa līdums b) Pieļaujamais trokšņa līdums c) Trokšņa parametri d) Atbilstības vērtējuma procedūra e) Informētā iestāde 8. Vieta 9. Datums</p>
<p>Slovenčina (Slovak) ES vyhlásenie o zhode 1. Dolupodpísaný, "2, ako autorizovaný zástupca výrobcu, týmto vyhlasuje, že uvedený strojár je v zhode s nasledovnými smernicami: * Smernica 2006/42/ES (Strojné zaradenia) * Smernica 2014/30/EU (Elektromagnetická kompatibilita) * Smernica 2000/14/ES - 2005/88/ES (Emisie hluku) 2. Popis stroja a) Produkt : Plotostrih b) Funkcia : Zastrihovanie živých plotov c) Model d) Typ e) Výrobné číslo 3. Výrobca 4. Autorizovaný zástupca schopný zostaviť technickú dokumentáciu 5. Referencia k harmonizovaným štandardom 6. Ďalšie štandardy alebo špecifikácie 7. Smernica pre emisie hluku vo voľnom priestranstve a) Nameraná hladina akustického výkonu b) Zaručená hladina akustického výkonu c) Rozmer d) Procedúra posudzovania zhody e) Notifikovaná osoba 8. Miesto 9. Dátum</p>	<p>Eesti (Estonian) EÜ vastavusdeklaratsioon 1. Käesolevaga kinnitab allakirjutanu, "2, volitatud esindaja nimel, et allpool kirjeldatud masina vastab kõikidele alljärgnevale direktiivide sätetele: * Masinate direktiiv 2006/42/EÜ * Elektromagnetilise ühilduvuse direktiiv 2014/30/EL * Valisuurade direktiiv 2000/14/EE - 2005/88/EÜ 2. Seadmete kirjeldus a) Toode : Hekiõhkur b) Funktsioon : heki lõikamine c) Mudel d) Tüüp e) Seerianumber 3. Tootja 4. Volitatud esindaja, kes on pädev täitma tehnilist dokumentatsiooni 5. Viide ühtlustatud standarditele 6. Muud standardid ja spetsifikatsioonid 7. Välistõura direktiiv a) Mõõdetud helivõimsuse tase b) Lubatud helivõimsuse tase c) Mõra parameeter d) Vastavushindamismenetlus e) Teavitatud asutus 8. Koht 9. Kuupäev</p>	<p>Slovensčina (Slovenian) ES izjava o skladnosti 1. Spodaj podpisani, "2, ki je pooblaščen oseba in v imenu proizvajalca izjavlja, da spodaj opisana stroj ustreza vsem navedenim direktivam: * Direktiva 2006/42/ES o strojih * Direktiva 2014/30/EU o elektromagnetni združljivosti * Direktiva 2000/14/ES - 2005/88/ES o hrupnosti 2. Opis naprave a) Proizvod : Motome škarje za živo mejo b) Funkcija : striženje žive meje c) Model d) Tip e) Serijska številka 3. Proizvajalec 4. Pooblaščen predstavnik ki lahko predloži tehnično dokumentacijo 5. Upoštevanji harmonizirani standardi 6. Ostali standardi ali specifikaciji 7. Direktiva o hrupnosti a) Izmerjena zvočna moč b) Garantirana zvočna moč c) Paramet d) Postopek e) Postopek opravi 8. Kraj 9. Datum</p>

<p>Lietuvių kalba (Lithuanian) EB atitikties deklaracija 1. Įgaliojotojo atstovo vardu pasirašęs *2 patvirtina, kad žemiau aprašyta mašina atitinka visas išvardintų direktyvų nuostatas: * Mechanizmių direktyva 2006/42/EB * Elektromagnetinio suderinamumo direktyva 2014/30/ES * Triukšmo lauke direktyva 2000/14/EB - 2005/88/EB 2. Prietaiso aprašymas a) Gaminytis : Trimeris gyvatvorei formuoti b) Funkcija : gyvatvorės formavimas c) Modelis d) Tipas e) Serijos numeris 3. Gamintojas 4. Įgaliojotasis atstovas ir galintis sudaryti techninę dokumentaciją 5. Nuorodos į suderintus standartus 6. Kiti standartai ir specifikacija 7. Triukšmo lauke direktyva a) Išmatuotas garso galimumo lygis b) Garantuojamas garso galimumo lygis c) Triukšmo parametras d) Tipas e) Registruota įstaiga 8. Vieta 9. Data</p>	<p>Български (Bulgarian) ЕО декларация за съответствие 1. Дополученият *2, от името на изпълномощния представител, с настоящото декларирам, че машините, описани по-долу, отговарят на всички съответни разпоредби на: * Директива 2006/42/ЕО относно машините * Директива 2014/30/ЕС относно електромагнитната съвместимост * Директива 2000/14/ЕО - 2005/88/ЕО относно шумовите емисии на съоръжения, предназначени за употреба извън сградите 2. Описание на машините a) Нпродукт : Машина за рязане на жив плет b) Функция : подрязване на жив плет c) Модел d) Тип e) Серийен номер 3. Производител 4. Упълномощен представител и отговорник за съставяне на техническа документация 5. Съответствие с хармонизирани стандарти 6. Други стандарти или спецификации 7. Директива относно шумовите емисии на съоръжения, предназначени за употреба извън сградите a) Измерена звукова мощност b) Гарантирана звукова мощност c) Параметърът шум d) Процедурата за оценка на съответствието e) Нотифициран орган 8. Място на изготвяне 9. Дата на изготвяне</p>	<p>Norsk (Norwegian) EF- Samsvarserklæring 1. Undertegnede *2 på vegne av autorisert representant herved erklærer at maskinen beskrevet nedenfor innfrir relevant informasjon fra følgende forskrifter: * Maskindirektivet 2006/42/EF * Direktiv EMC: 2014/30/EU Elektromagnetisk kompatibilitet * Direktiv om støy utendørs 2000/14/EF - 2005/88/EF 2. Beskrivelse av produkt a) Produkt : Hekklipper b) Funksjon : Klippe/trimme hekk c) Modell d) Type e) Serienummer 3. Produsent 4. Autorisert representant og i stand til å utarbeide den tekniske dokumentasjonen 5. Referanse til harmoniserte standarder 6. Øvrige standarder eller spesifikasjoner 7. Utendørs direktiv får støy a) Målt støy b) Maks støy c) Konstant støy d) Verdi vurderings prosedyre e) Gjeldene kjøretøy/kropp/stamme/skrog 8. Sted 9. Dato</p>
<p>Türk (Turkish) AT Uygunluk Beyanı 1. Aşağıda imzası bulunan *2, yetkili temsilci adına, bu yazıyla birlikte aşağıdaki makine ile ilgili tüm hükümlülüklerin yerine getirildiğini beyan etmektedir: * Makina Emniyet Yönetmeliği 2006/42/AT * Elektromanyetik Uyumluluk Yönetmeliği 2014/30/AB * Açık Alanda Kullanılan Teçhizat Tarafından Oluşturulan Çevredeki Gürültü Emisyonu İle İlgili Yönetmelik 2000/14/AT-2005/88/AT 2. Makinanın tanfii a) Ürün : Çit biçici b) İşlevi : Çitlerin budanması c) Model d) Tipi e) Seri numarası 3. İmalatçı 4. Teknik dosyayı hazırlamakla yetkili olan Toplulukta yetkili temsilci 5. Uymlaştrılmış standartlara atfif 6. Diğer standartlar veya spesifikasyonlar 7. Açık alan gürültü Yönetmeliği a) Ölçülen ses gücü b) Garant edilmiş ses gücü c) Gürültü parametresi d) Uygunluk değerlendirme prosedürü e) Onaylanmış kuruluş 8. Beyanın yeri : 9. Beyanın tarihi :</p>	<p>İslenka(Icelandic) EB-Samræmisýfrlýsing 1. Undirritaður *2 staðfestir hér með fyrir hönd sig að gildirra aðila að upplýsingar um vélbúnað hér að neðan eru tæmandi hvað varðar alla tilheyrandi mátaflokk, svo sem *Leiðbeiningar fyrir vélbúnað 2006/42/EB *Leiðbeiningar fyrir rafsegulsvið 2014/30/EU *Leiðbeiningar um hávaðamengun 2000/14/EB-2005/88/EB 2. Lýsing á vélbúnaði a) Ökutæki : Hekk klippur b) Virkni : Trjáklippingar c) Gerð d) Tegund e) Serial númer 3. Framleiðandi 4. Lögildir aðilar og fær um að taka saman tækniskjölín 5. Tilvisun um heildar staðal 6. Aðrir staðlar eða sérstöður 7. Leiðbeiningar um hávaðamengun a) Mældur hávaða styrkur b) Staðfestur hávaða styrkur c) Hávaða breytileiki d) Staðfesting á gæðastöðlum e) Merkingar 8. Hér hjá 9. Dagsetning</p>	<p>Hrvatski(Croatian) EK Izjava o sukladnosti 1. Potpisani, *2, u ime ovlaštenog predstavnika, ovdme izjavljaju da strojevi navedeni u nastavku ispunjavaju sve važneće odredbe: * Propisa za strojeve 2006/42/EK * Propisa o elektromagnetskoj kompatibilnosti 2014/30/EU * Propisa o buci na otvorenome 2000/14/EK-2005/88/EK 2. Opis strojeva a) Proizvođa : Motorne škare b) Funkcionalnost : podrezivanje živice c) Model d) Tip e) Serijski broj 3. Proizvođač 4. Ovlašteni predstavnik i osoba za sastavljanje tehničke dokumentacije 5. Reference na usklađene norme 6. Ostale norme i specifikacije 7. Propis o buci na otvorenome a) Izmjerenja jačina zvuka b) Zajamčena jačina zvuka c) Parametar buke d) Postupak za ocjenu sukladnosti e) Obaviješteno tijelo 8. U 9. Datum</p>

MAJOR Honda DISTRIBUTOR ADDRESSES

For further information, please contact Honda Customer Information Centre at the following address or telephone number:

ADRESSES DES PRINCIPAUX DISTRIBUTEURS Honda

Pour plus d'informations, s'adresser au Centre d'informations clients Honda à l'adresse ou numéro de téléphone suivants:

ADRESSEN DER HAUPT-Honda-VERTEILER

Weitere Informationen erhalten Sie gerne vom Honda-Kundeninformationszentrum unter der folgenden Adresse oder Telefonnummer:

INDIRIZZI DEI PRINCIPALI DISTRIBUTORI Honda

Per ulteriori informazioni rivolgersi al Centro informazioni clienti Honda al seguente indirizzo o numero telefonico:

AUSTRIA

Honda Motor Europe Ltd

Hondastraße 1

2351 Wiener Neudorf

Tel.: +43 (0)2236 690 0

Fax: +43 (0)2236 690 480

www.honda.at

✉ HondaPP@honda.co.at

BALTIC STATES (Estonia/Latvia/ Lithuania)

Honda Motor Europe Ltd Eesti filiaal

Meistri 12

13517 Tallinn

Estonia

Tel.: +372 651 7300

Fax: +372 651 7301

✉ honda.baltic@honda-eu.com

BELGIUM

Honda Motor Europe Ltd

Doornveld 180-184

1731 Zellik

Tel.: +32 2620 10 00

Fax: +32 2620 10 01

www.honda.be

✉ BH_PE@HONDA-EU.COM

BULGARIA

Power Products Trading

102A Gotz Delcev BLVD

BG 1404 Sofia

Bulgaria

www.hondapower.bg

✉ jolian_milev@honda.power.bg

CROATIA

Hongoldonia d.o.o.

Vrbaska 1c

31000 Osijek

Tel.: +38531320420

Fax: +38531320429

www.hongoldonia.hr

✉ prodaja@hongoldonia.hr

CYPRUS

Alexander Dimitriou & Sons Ltd.

162, Yiannos Kranidiotis Avenue

2235 Latsia, Nicosia

Tel.: +357 22 715 300

CZECH REPUBLIC

BG Technik cs, a.s.

U Zavodiste 251/8

15900 Prague 5 - Velka Chuchle

Tel.: +420 2 838 70 850

Fax: +420 2 667 111 45

www.honda-stroje.cz

DENMARK

TIMA A/S

Tårnfalkevej 16

2650 Hvidovre

Tel.: +45 36 34 25 50

Fax: +45 36 77 16 30

www.hondapower.dk

FINLAND

OY Brandt AB.

Tuupakantie 7B

01740 Vantaa

Tel.: +358 207757200

Fax: +358 9 878 5276

www.brandt.fi

FRANCE

Honda Motor Europe Ltd

Division Produit d'Équipement

Parc d'activités de Pariest,

Allée du 1er mai

Croissy Beaubourg BP46, 77312

Marne La Vallée Cedex 2

Tél.: 01 60 37 30 00

Fax: 01 60 37 30 86

www.honda.fr

✉ espace-client@honda-eu.com

GERMANY

Honda Deutschland Niederlassung
der Honda Motor Europe Ltd.

Hanauer Landstraße 222-224

D-60314 Frankfurt

Tel.: 01805 20 20 90

Fax.: +49 (0)69 83 20 20

www.honda.de

✉ info@post.honda.de

GREECE

Saracakis Brothers S.A.

71 Leoforos Athinon

10173 Athens

Tel.: +30 210 3497809

Fax: +30 210 3467329

www.honda.gr

✉ info@saracakis.gr

HUNGARY

Motor Pedo Co., Ltd.
Kamaraerdei ut 3.
2040 Budaors
Tel.: +36 23 444 971
Fax: +36 23 444 972
www.hondakisgepek.hu

IRELAND

Two Wheels Ltd
M50 Business Park, Ballymount
Dublin 12
Tel.: +353 1 4381900
Fax: +353 1 4607851
www.hondaireland.ie
✉ Service@hondaireland.ie

ITALY

Honda Motor Europe Ltd
Via della Cecchignola, 13
00143 Roma
Tel.: +848 846 632
Fax: +39 065 4928 400
www.hondaitalia.com
✉ info.power@honda-eu.com

MALTA

**The Associated Motors
Company Ltd.**
New Street in San Gwakklin Road
Mriehel Bypass, Mriehel QRM17
Tel.: +356 21 498 561
Fax: +356 21 480 150

NORWAY

Berema AS
P.O. Box 454 1401 Ski
Tel.: +47 64 86 05 00
Fax: +47 64 86 05 49
www.berema.no
✉ berema@berema.no

POLAND

Aries Power Equipment Sp. z o.o.
ul. Pulawska 467
02-844 Warszawa
Tel.: +48 (22) 861 43 01
Fax: +48 (22) 861 43 02
www.ariespower.pl
www.mojahonda.pl
✉ info@mojahonda.pl

PORTUGAL

GROW Productos de Forca Portugal
Rua Fontes Pereira de Melo, 16
Abrunheira, 2714-506 Sintra
Tel.: +351 211 303 000
Fax: +351 211 303 003
www.grow.com.pt
✉ abel.leiriao@grow.com.pt

REPUBLIC OF BELARUS

Scanlink Ltd.
Kozlova Drive, 9
220037 Minsk
Tel.: +375 172 999090
Fax: +375 172 999900
www.hondapower.by

ROMANIA

Hit Power Motor Srl
str. Vasile Stroescu nr. 12,
Camera 6, Sector 2
021374 Bucuresti
Tel.: +40 21 637 04 58
Fax: +40 21 637 04 78
www.honda.ro
✉ hit.power@honda.ro

SERBIA & MONTENEGRO

ITH Trading Co Doo
Majke Jevroscmc 26
1100 Beograd
Serbia
✉ sstevanovic@ithtrading.co.rs

SLOVAK REPUBLIC

**Honda Motor Europe Ltd Slovensko,
organizačná zložka**
Prievozská 6 821 09 Bratislava
Tel.: +421 2 32131111
Fax.: +421 2 32131112
www.honda.sk

SLOVENIA

AS Domzale Moto Center D.O.O.
Blatnica 3A
1236 Trzin
Tel.: +386 1 562 22 62
Fax: +386 1 562 37 05
www.honda-as.com
✉ infomacije@honda-as.com

SPAIN & all provinces

Greens Power Products, S.L.

Poligono Industrial Congost –
Av Ramon Ciurans n°2
08530 La Garriga - Barcelona
Tel.: +34 93 860 50 25
Fax: +34 93 871 81 80
www.hondaencasa.com

SWEDEN

Honda Motor Europe Ltd filial Sverige

Box 31002 - Långhusgatan 4
215 86 Malmö
Tel.: +46 (0)40 600 23 00
Fax: +46 (0)40 600 23 19
www.honda.se
✉ hpesinfo@honda-eu.com

SWITZERLAND

Honda Motor Europe Ltd., Slough Succursale de Satigny/Genève

Rue de la Bergère 5
1242 Satigny
Tel.: +41 (0)22 989 05 00
Fax: +41 (0)22 989 06 60
www.honda.ch

TURKEY

Anadolu Motor Uretim ve Pazarlama AS

Esentepe mah. Anadolu
cad. No: 5
Kartal 34870 Istanbul
Tel.: +90 216 389 59 60
Fax: +90 216 353 31 98
www.anadolumotor.com.tr
✉ antor@antor.com.tr

UKRAINE

Honda Ukraine LLC

101 Volodymyrska Str. - Build. 2
Kyiv 01033
Tel.: +380 44 390 14 14
Fax: +380 44 390 14 10
www.honda.ua
✉ CR@honda.ua

UNITED KINGDOM

Honda Motor Europe Ltd

Cain Road
Bracknell
Berkshire
RG12 1 HL
Tel.: +44 (0)845 200 8000
www.honda.co.uk

HONDA

The Power of Dreams

36VJ8624
00X36-VJ8-6240



© Honda Motor Co., Ltd. 2016
英 仏 独 伊 日 印 1000.2014.10
Printed in Japan