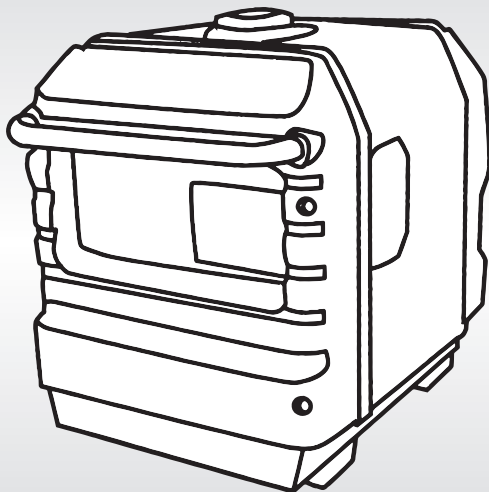


**HONDA**

**GENERATOR  
EU30is**



**OWNER'S MANUAL  
MANUEL DE L'UTILISATEUR  
BEDIENUNGSANLEITUNG  
MANUAL DEL PROPIETARIO  
MANUALE DELL'UTENTE**

**Honda EU30is**

**OWNER'S MANUAL**

Original instructions

**MANUEL DE L'UTILISATEUR**

Notice originale

**BEDIENUNGSANLEITUNG**

Originalbetriebsanleitung

**MANUAL DEL PROPIETARIO**

Manual original

**MANUALE DELL'UTENTE**

Traduzione delle istruzioni originali



---

Thank you for purchasing a Honda generator.

This manual covers operation and maintenance of the EU30is generator.

All information in this publication is based on the latest product information available at the time of approval for printing.

Honda Motor Co., Ltd. reserves the right to make changes at any time without notice and without incurring any obligation.

No part of this publication may be reproduced without written permission.

This manual should be considered a permanent part of the generator and should remain with it if it is resold.

Pay special attention to statements preceded by the following words:

**▲ WARNING** Indicates a strong possibility of severe personal injury or death if instructions are not followed.

**CAUTION:** Indicates a possibility of personal injury or equipment damage if instructions are not followed.

NOTE: Gives helpful information.

If a problem should arise, or if you have any questions about the generator, consult an authorized Honda dealer.

**▲ WARNING**  
**Honda generator is designed to give safe and dependable service if operated according to instructions. Read and understand the Owner's Manual before operating the generator. Failure to do so could result in personal injury or equipment damage.**

The illustration may vary according to the type.



# CONTENTS

---

1. SAFETY INSTRUCTIONS.....	3
2. SAFETY LABEL LOCATIONS.....	7
• CE mark and noise label locations .....	10
3. COMPONENT IDENTIFICATION .....	11
4. PRE-OPERATION CHECK .....	15
5. STARTING THE ENGINE .....	20
• High altitude operation .....	26
6. GENERATOR USE .....	27
7. STOPPING THE ENGINE .....	41
8. MAINTENANCE.....	43
9. TRANSPORTING/STORAGE .....	54
10.TROUBLESHOOTING .....	56
11.SPECIFICATIONS .....	59
12.WIRING DIAGRAM.....	61
SWITCH CONNECTIONS.....	62
RECEPTACLE .....	63
MAJOR Honda DISTRIBUTOR ADDRESSES .....	inside back cover
“EC Declaration of Conformity”CONTENT OUTLINE .....	inside back cover

# 1. SAFETY INSTRUCTIONS

---

## **IMPORTANT SAFETY INFORMATION**

Honda generators are designed for use with electrical equipment that has suitable power requirements. Other uses can result in injury to the operator or damage to the generator and other property.

Most injuries or property damage can be prevented if you follow all instructions in this manual and on the generator. The most common hazards are discussed below, along with the best way to protect yourself and others.

Never attempt to modify the generator. It can cause an accident as well as damage to the generator and appliances. Tampering with the engine voids the EU type-approval of this engine.

- Do not connect an extension to the muffler.
- Do not modify the intake system.
- Do not adjust the governor.
- Do not remove the control panel or do not change the wiring of the control panel.

## **Operator Responsibility**

Know how to stop the generator quickly in case of emergency.

Understand the use of all generator controls, output receptacles, and connections.

Be sure that anyone who operates the generator receives proper instruction. Do not let children operate the generator without parental supervision.

Be sure to observe the instructions in this manual for how to use the generator and maintenance information. Ignoring or improperly following the instructions can cause an accident such as an electric shock, and the condition of the exhaust gas may deteriorate.

Obey all applicable laws and regulations where the generator is used.

Gasoline and Oil is toxic. Follow the instructions provided by each manufacturer before use.

Place the generator on a firm level place before operation.

Do not operate the generator with any cover removed. You may get your hand or foot caught in the generator and it may cause accident.

Consult your authorized Honda dealer for disassembly and service of the generator that are not covered in this manual.

---

## **Carbon Monoxide Hazards**

Exhaust contains poisonous carbon monoxide, a colorless, odorless gas. Breathing exhaust can cause loss of consciousness and may lead to death.

If you run the generator in an area that is confined, or even partially enclosed area, the air you breathe could contain a dangerous amount of exhaust gas.

Never run your generator inside a garage, house, or near open windows or doors.

## **Electric Shock Hazards**

The generator produces enough electric power to cause a serious shock or electrocution if misused.

Using a generator or electrical appliance in wet conditions, such as rain or snow, or near a pool or sprinkler system, or when your hands are wet, could result in electrocution.

Keep the generator dry.

If the generator is stored outdoors, unprotected from the weather, check all of the electrical components on the control panel before each use. Moisture or ice can cause a malfunction or short circuit in electrical components that could result in electrocution.

If you get an electric shock, consult a doctor and have medical treatment immediately.

---

## **Fire and Burn Hazards**

Do not use the generator in areas with a high risk of fire.

The exhaust system gets hot enough to ignite some materials.

- Keep the generator at least 1 meter (3 feet) away from buildings and other equipment during operation.
- Do not enclose the generator in any structure.
- Keep flammable materials away from the generator.

Some parts of the internal combustion engine are hot and may cause burns. Pay attention to the warnings on the generator.

The muffler becomes very hot during operation and remains hot for a while after stopping the engine. Be careful not to touch the muffler while it is hot. Let the engine cool before storing the generator indoors.

Do not pour the water directly on the generator to put out the fire when it occurs. Use an appropriate fire extinguisher specially designed for electric fire or oil fire.

If you inhale fumes produced by an accidental fire with the generator, consult a doctor and have medical treatment immediately.

## **Refuel With Care**

Gasoline is extremely flammable, and gasoline vapor can explode. Allow the engine to cool if the generator has been in operation.

Refuel only outdoors in a well ventilated area with the engine off.

Do not refuel during operation.

Do not overfill the fuel tank.

Never smoke near gasoline, and keep other flames and sparks away.

Always store gasoline in an approved container.

Make sure that any spilled fuel has been wiped up and cleaned before starting the engine.

---

## **Explosion proof**

This generator is not compliant with explosion proof.

## **Disposal**

To protect the environment, do not dispose of the used generator, battery, engine oil, etc. carelessly by leaving them in the waste.

Observe the local laws or regulations or consult your authorized Honda generator dealer to dispose of these parts.

Please dispose of used motor oil in a manner that is compatible with the environment. We suggest you take it in a sealed container to your local service station for reclamation. Do not throw it in the trash or pour it on the ground.

An improperly disposed battery can hurt the environment. Always confirm local regulations for battery disposal. Contact your servicing dealer for a replacement.

## **Disposing of generator**

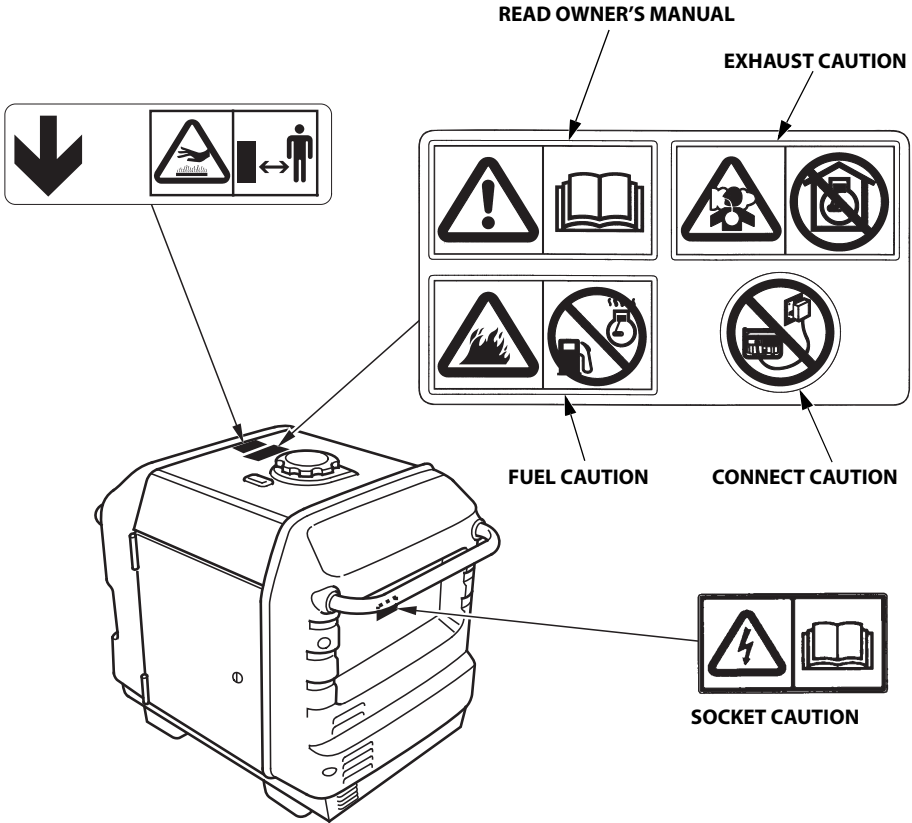


Do not dispose of electric equipment together with household waste material. If electrical appliances are disposed of in landfills or dumps, substances can leak and react and enter into the foodchain, damaging your health and well-being. For further information on the disposal of this product, please contact your dealer or your nearest domestic waste collection service.

## 2. SAFETY LABEL LOCATIONS

These labels warn you of potential hazards that can cause serious injury. Read the labels and safety notes and precautions described in this manual carefully.

If a label comes off or becomes hard to read, contact your servicing dealer for a replacement.





- **Honda generator is designed to give safe and dependable service if operated according to instructions. Read and understand the Owner's Manual before operating the generator. Failure to do so could result in personal injury or equipment damage.**



- **Exhaust contains poisonous carbon monoxide, a colorless, odorless gas. Breathing carbon monoxide can cause loss of consciousness and may lead to death.**
- **If you run the generator in an area that is confined, or even partially enclosed area, the air you breathe could contain a dangerous amount of exhaust gas.**
- **Never run your generator inside a garage, house or near open windows or doors.**



- **Improper connections to a building's electrical system can allow current from the generator to backfeed into the utility lines. Such backfeed may electrocute utility company workers or others who contact the lines during a power outage, and the generator may explode, burn, or cause fires when utility power is restored. Consult the utility company or a qualified electrician prior to making any power connections.**



- **Gasoline is highly flammable and explosive.**  
**Turn the engine off and let it cool before refueling.**



- **A hot exhaust system can cause serious burns.**  
**Avoid contact if the engine has been running.**

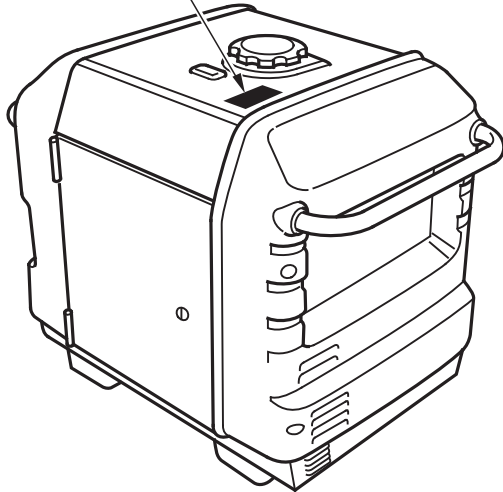
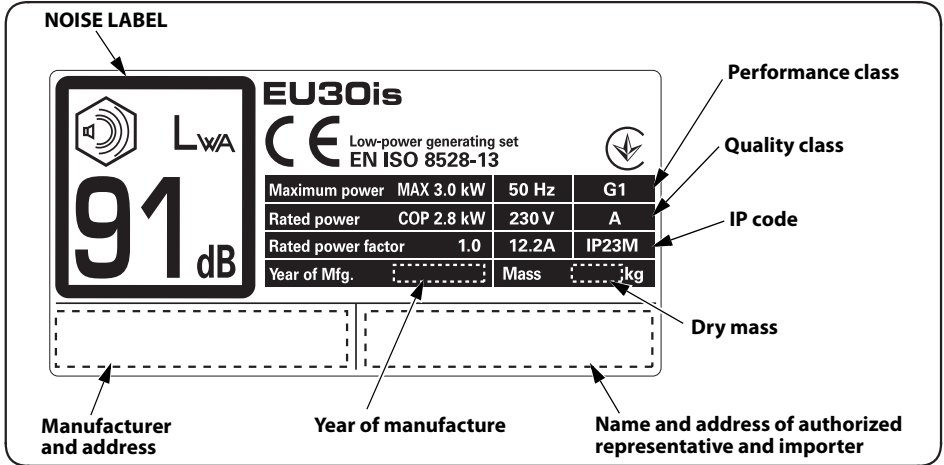


- **Connect and remove the receptacle box for parallel operation with the engine stopped.**
- **For single operation, the receptacle box for parallel operation must be removed.**



- CE mark and noise label locations

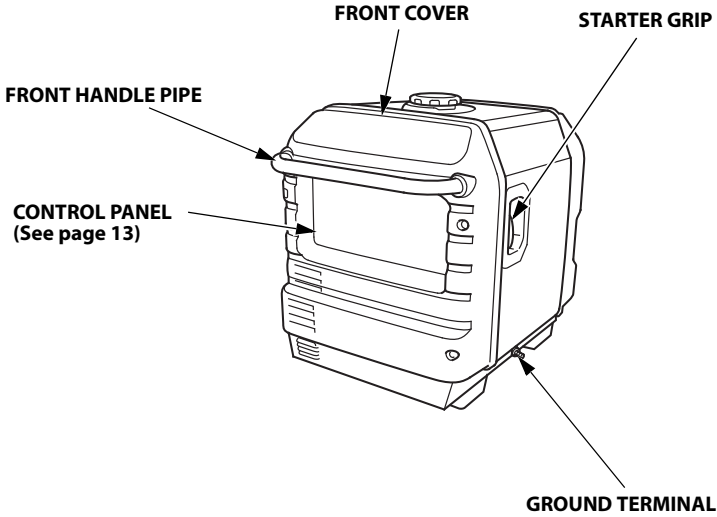
- CE MARK and NOISE LABEL



Name and address of manufacturer, authorized representative and importer are written in the "EC Declaration of Conformity" CONTENT OUTLINE in this Owner's Manual.

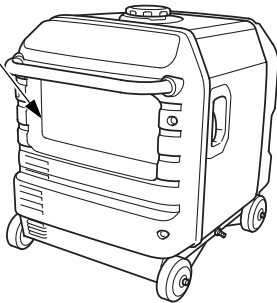
# 3. COMPONENT IDENTIFICATION

## <STAND TYPE>



## <WHEEL TYPE>

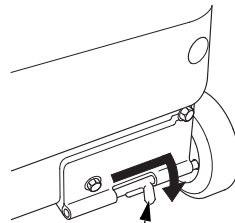
CONTROL PANEL  
(See page 13)



### NOTE:

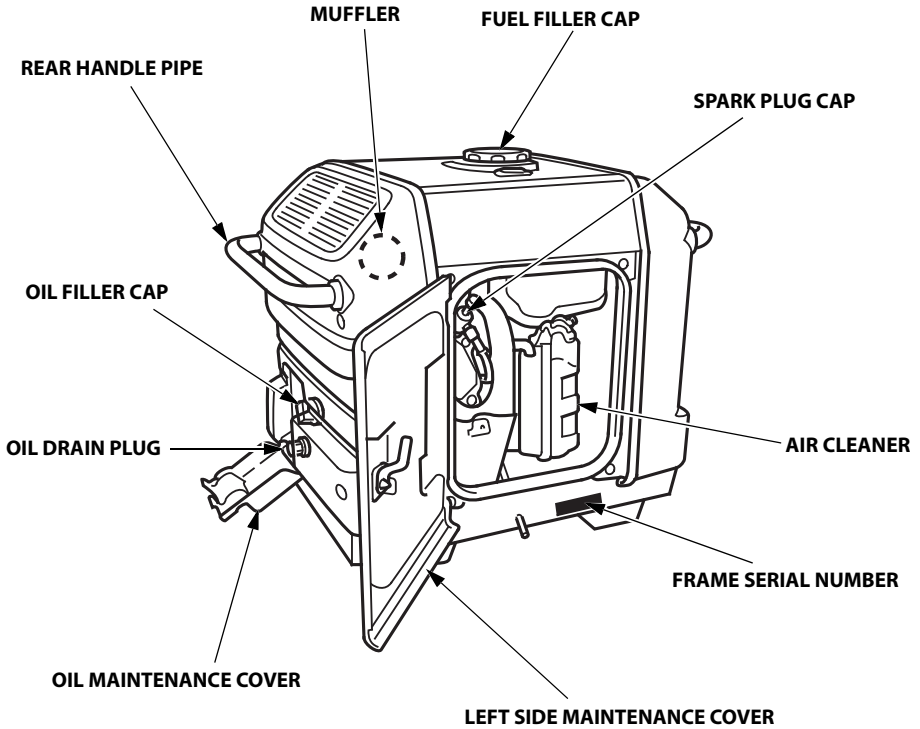
The generator may become unstable if all four wheels are not firmly on the ground.

Confirm that all four wheels are firmly on the ground before operation.



STOPPER

Raise the stopper lever and slide the stopper in the direction of the arrow so that it enters the hole in the wheel and then lower the stopper lever. Confirm that the wheel is locked.

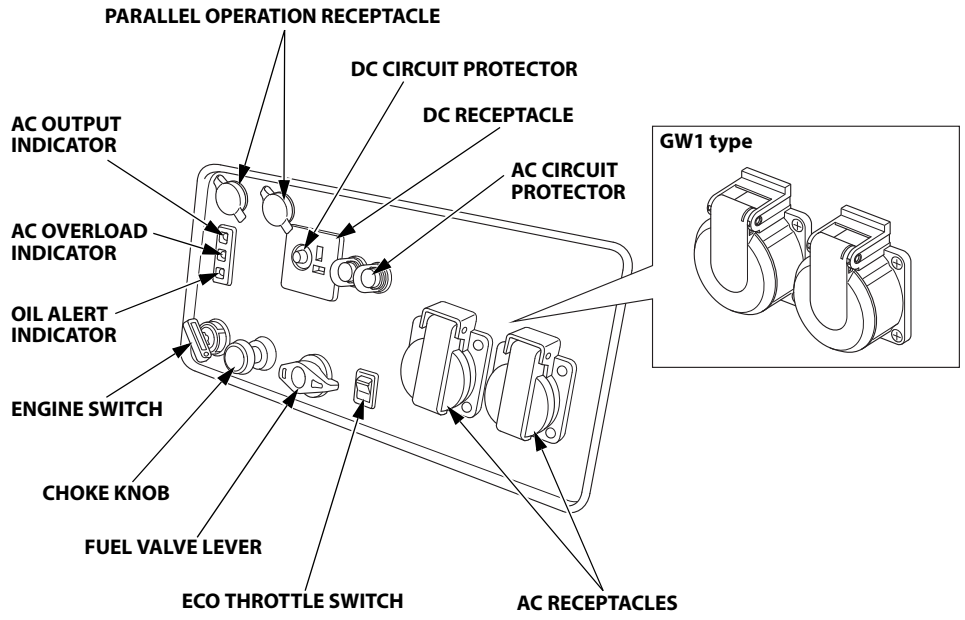


Record the frame serial number in the space below. You will need this serial number when ordering parts.

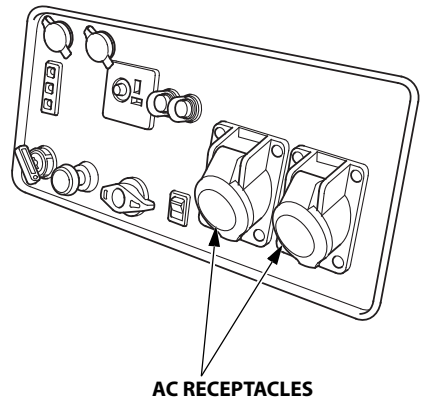
Frame serial number: \_\_\_\_\_

# CONTROL PANEL

## F, G, GW1 types



## B type



---

## Eco Throttle

### ON:

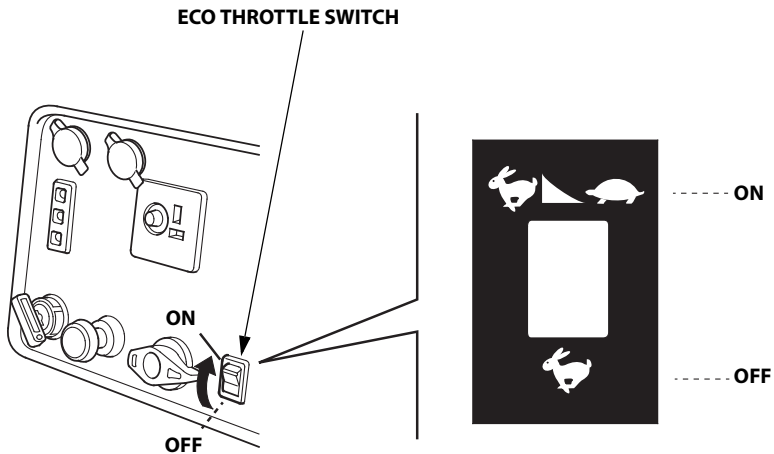
Engine speed is kept at idle automatically when the electrical appliance is disconnected and it returns to the proper speed by the electrical load when electrical appliance is connected. This position is recommended to minimize the fuel consumption while in operation.

### NOTE:

- When high electrical load appliances is connected simultaneously, turn the Eco Throttle switch to the OFF position to reduce voltage changes.
- Eco Throttle system does not operate sufficiently if the electrical appliance requires the momentary electric power.

### OFF:

Eco Throttle system does not operate. Engine speed is kept in the range on the Engine speed (with eco throttle off) in the "SPECIFICATIONS" page.



## 4. PRE-OPERATION CHECK

### Spare key

Your generator comes with two keys. Remove the spare key by cutting the plastic tag, and then store the key in a safe location.

### CAUTION:

**Be sure to check the generator on a level surface with the engine stopped.**

Before each use, look around and underneath the engine for signs of oil or gasoline leaks.

1. Check the engine oil level.

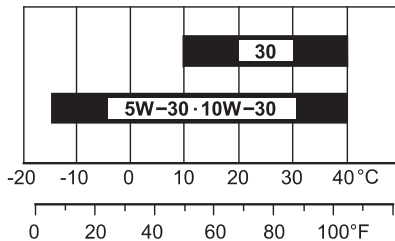
### CAUTION:

**Using non detergent oil or 2-stroke engine oil could shorten the engine's service life.**

### Recommended oil

Use 4-stroke motor oil that meets or exceeds the requirements for API service category SE or later (or equivalent). Always check the API service label on the oil container to be sure it includes the letters SE or later (or equivalent).

Read the instruction on the oil container before use.



AMBIENT TEMPERATURE

SAE 10W-30 is recommended for general use. Other viscosities shown in the chart may be used when the average temperature in your area is within the indicated range.

Lubrication oil specifications necessary to maintain the performance of the emissions control system: Honda genuine oil.

---

Check the engine oil level with the engine stopped and in a level position.

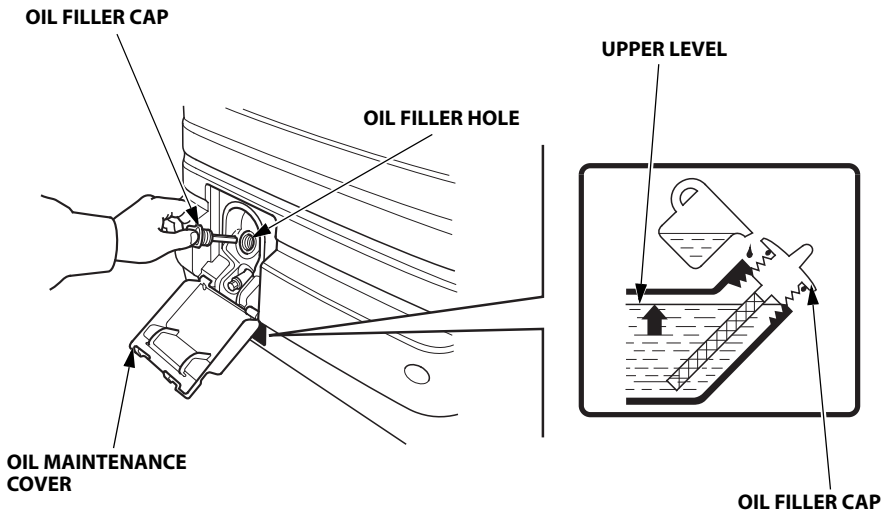
1. Open the oil maintenance cover.
2. Remove the oil filler cap.
3. Check the oil level. If it is below the upper limit, fill with the recommended oil (see page 15) to the upper limit.
4. Reinstall the oil filler cap securely.

**CAUTION:**

**Running the engine with insufficient oil can cause serious engine damage.**

**NOTE:**

The Oil Alert system will automatically stop the engine before the oil level falls below the safe limit. However, to avoid the inconvenience of an unexpected shutdown, it is still advisable to visually inspect the oil level regularly.



2. Check the fuel level.

Check the fuel level gauge. Refill the fuel tank if the fuel level is low.

After refueling, tighten the fuel filler cap securely.

## Recommended Fuel

Unleaded gasoline	
	Research octane rating 91 or higher
	Pump octane rating 86 or higher

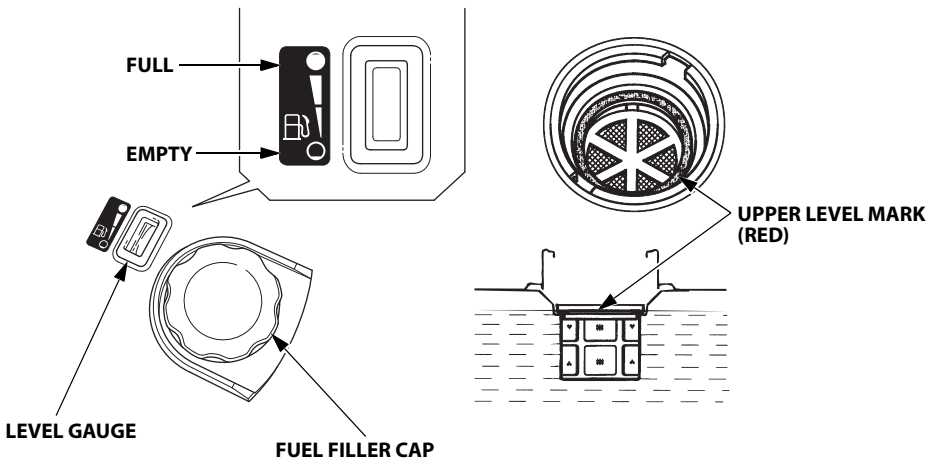
This engine is certified to operate on unleaded gasoline with a research octane rating of 91 or higher (a pump octane rating of 86 or higher).

Fuel specification(s) necessary to maintain the performance of the emissions control system: E10 fuel referenced in EU regulation.

Never use gasoline that is stale, contaminated, or mixed with oil. Avoid getting dirt or water in the fuel tank.

### ⚠ WARNING

- **Gasoline is extremely flammable and is explosive under certain conditions.**
- **Refuel in a well ventilated area with the engine stopped. Do not smoke or allow flames or sparks in the area where the engine is refueled or where gasoline is stored.**
- **Do not overfill the fuel tank (there should be no fuel above the upper level mark). After refueling, make sure the fuel filler cap is closed properly and securely.**
- **Be careful not to spill fuel when refueling. Spilled fuel or fuel vapor may ignite. If any fuel is spilled, make sure the area is dry before starting the engine.**
- **Avoid repeated or prolonged contact with skin or breathing of vapor. KEEP OUT OF REACH OF CHILDREN.**





---

**NOTE:**

Gasoline spoils very quickly depending on factors such as light exposure, temperature and time.

In worst cases, gasoline can be contaminated within 30 days.

Using contaminated gasoline can seriously damage the engine (carburetor clogged, valve stuck).

Such damage due to spoiled fuel is disallowed from coverage by the warranty.

To avoid this please strictly follow these recommendations:

- Only use specified gasoline (see page 16).
- Use fresh and clean gasoline.
- To slow deterioration, keep gasoline in a certified fuel container.
- If long storage (more than 30 days) is foreseen, drain fuel tank and carburetor.

### **Gasolines Containing Alcohol**

If you decide to use a gasoline containing alcohol (gasohol), be sure its octane rating is at least as high as that recommended by Honda.

There are two types of "gasohol": one containing ethanol, and the other containing methanol.

Do not use gasohol that contains more than 10% ethanol.

Do not use gasoline containing more than 5% methanol (methyl or wood alcohol) and that does not also contain co-solvents and corrosion inhibitors for methanol.

**NOTE:**

- Fuel system damage or engine performance problems resulting from the use of gasoline that contains more alcohol than recommended is not covered under the warranty.
- Before buying gasoline from an unfamiliar station, first determine if the gasoline contains alcohol, if it does, find out the type and percentage of alcohol used.

If you notice any undesirable operating symptoms while using a particular gasoline. Switch to a gasoline that you know contains less than the recommended amount of alcohol.

---

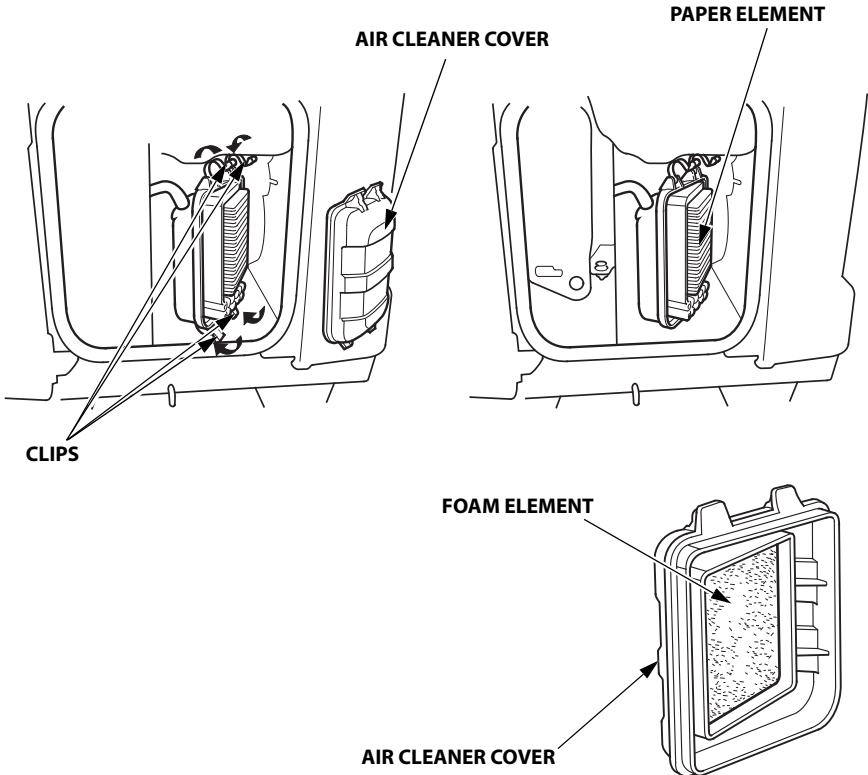
### 3. Check the air cleaner.

Check the air cleaner elements to be sure they are clean and in good condition. Open the left side maintenance cover. Unsnap the four clips, remove the air cleaner cover, remove the foam element from the air cleaner cover, and check the both elements.

Clean or replace the element(s) if necessary (see page 45).

#### **CAUTION:**

**Never run the engine without the air cleaner element. Rapid engine wear will result from contaminants, such as dust and dirt, being drawn through the carburetor, into the engine.**



# 5. STARTING THE ENGINE

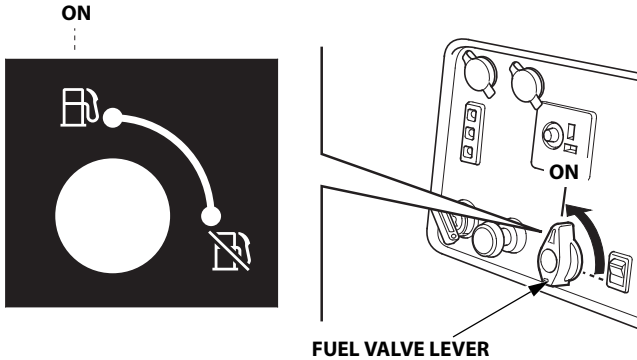
## Electric starting

### CAUTION:

When starting the generator after adding fuel for the first time, after long-term storage, or after running out of fuel, turn the fuel valve lever to the ON position, then wait for 10 to 20 seconds before starting the engine.

Before starting the engine disconnect any load from the AC receptacle.

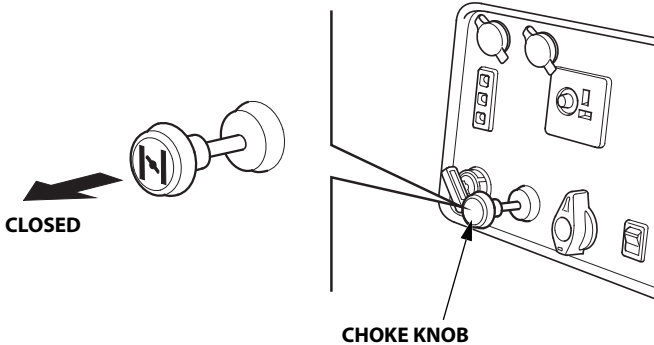
1. Turn the fuel valve lever to the ON position.



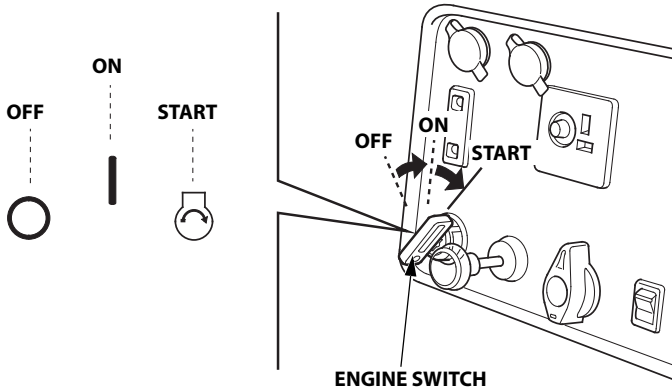
2. Pull the choke knob out to the CLOSED position.

### NOTE:

Do not use the choke when the engine is warm or the air temperature is high.



3. Turn the engine switch to the START position and hold it there until the engine starts.



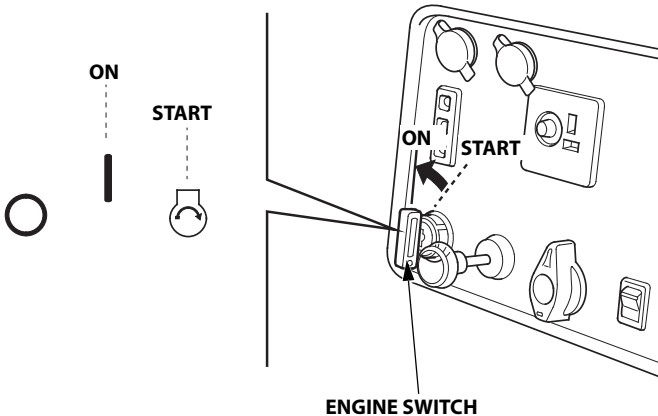
**CAUTION:**

**Do not use the starter motor for more than 5 seconds. If the engine fails to start, release the key, and wait at least 10 seconds before operating the starter motor again.**

**NOTE:**

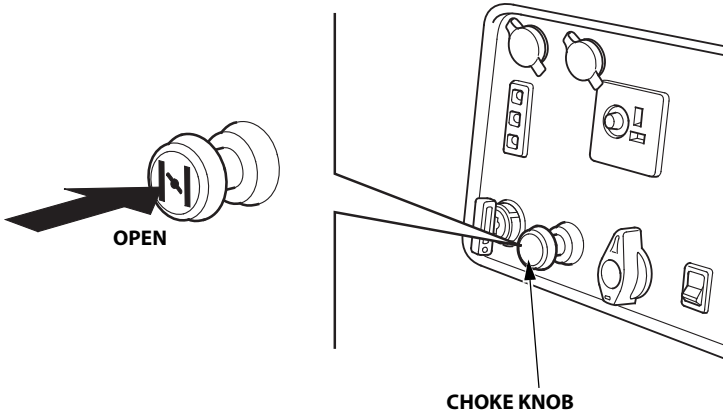
When the speed of the starter motor drops after a period of time, it is an indication that the battery should be recharged.

4. After the engine starts, let the engine switch return to the ON position.



---

5. Push the choke knob to the OPEN position as the engine warms up.



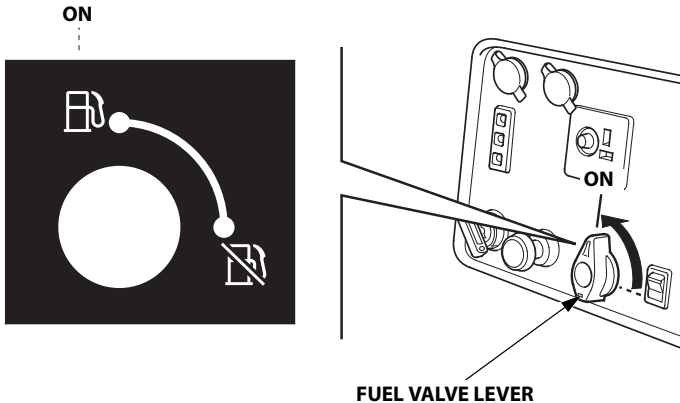
## Manual starting

### CAUTION:

When starting the generator after adding fuel for the first time, after long-term storage, or after running out of fuel, turn the fuel valve lever to the ON position, then wait for 10 to 20 seconds before starting the engine.

Before starting the engine disconnect any load from the AC receptacle.

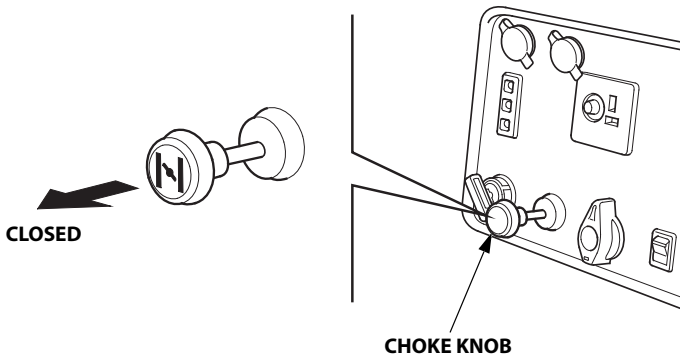
1. Turn the fuel valve lever to the ON position.



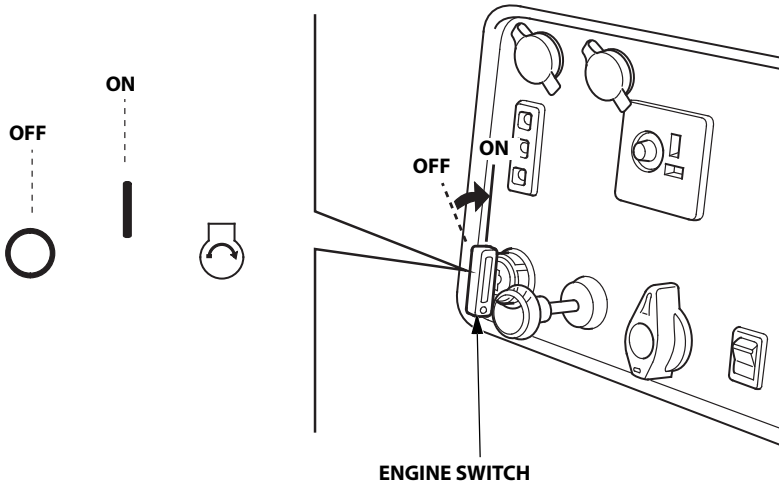
2. Pull the choke knob out to the CLOSED position.

### NOTE:

Do not use the choke when the engine is warm or the air temperature is high.



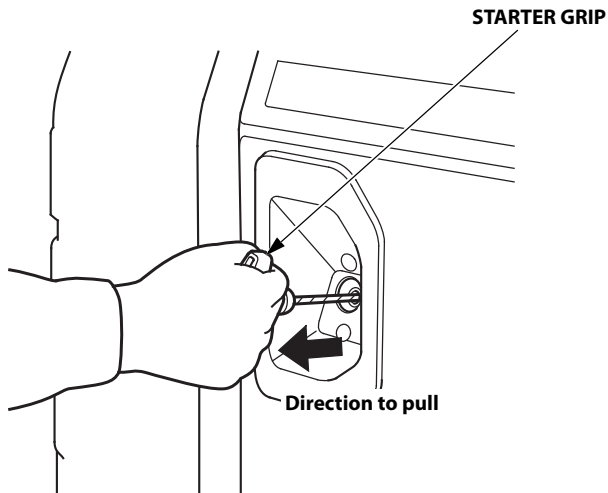
3. Turn the engine switch to the ON position.



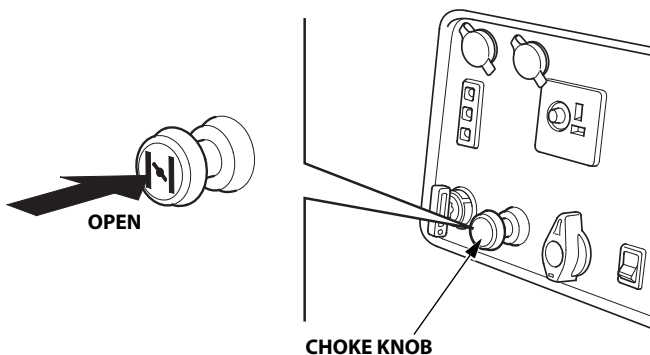
- 
4. Pull the starter grip lightly until you feel resistance, then pull the starter grip briskly toward in the direction of the arrow as shown below.

**CAUTION:**

- **The starter grip can be drawn back very quickly before you release it. This may pull your hand forcefully toward the engine and cause an injury.**
- **Do not allow the starter grip to snap back. Return it slowly by hand.**
- **Do not let the starter rope rub against the generator body, or the rope will wear out prematurely.**



5. Push the choke knob to the OPEN position as the engine warms up.





---

- **High altitude operation**

At high altitude, the standard carburetor air-fuel mixture will be excessively rich. Performance will decrease, and fuel consumption will increase.

High altitude performance can be improved by specific modifications to the carburetor. If you always operate the generator at altitudes higher than 610 meters (2,000 feet) above sea level, have your servicing dealer perform these carburetor modifications.

Even with suitable carburetor jetting, engine horsepower will decrease approximately 3.5% for each 300 meter (1,000 foot) increase in altitude. The affect of altitude on the horsepower will be greater than this if no carburetor modification is made.

**CAUTION:**

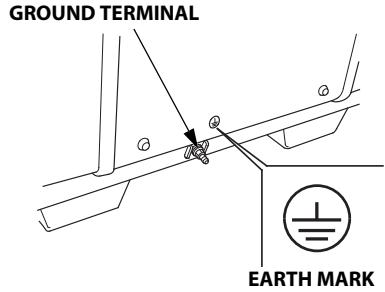
**Operation of the generator at an altitude lower than the carburetor is jetted for may result in reduced performance, overheating, and serious engine damage caused by an excessively lean air/fuel mixture.**

## 6. GENERATOR USE

The generator produces enough electric power to cause a serious shock or electrocution if misused.

Be sure to ground the generator when the connected appliance is grounded.

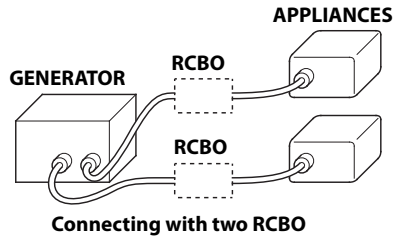
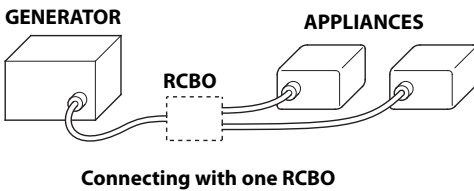
To ground the terminal of the generator, use a copper wire with same or larger diameter than the cord of the connected appliance.



Use extension cord set with ground conductor when connecting an appliance with ground conductor.

To identify the Ground pin in the plug, see RECEPTACLE page 63.

Connect a RCBO (Residual current circuit breaker with overload protection) of 30 mA ground fault detection and cut-off of less than 0.4 seconds at more than 30 A of output current, if you are using two or more appliance. Follow the instructions provided by each RCBO manufacturer before use.



### **⚠ WARNING**

**Improper connections to a building's electrical system can allow current from the generator to backfeed into the utility lines. Such backfeed may electrocute utility company workers or others who contact the lines during a power outage, and the generator may explode, burn, or cause fires when utility power is restored. Consult the utility company or a qualified electrician prior to making any power connections.**

---

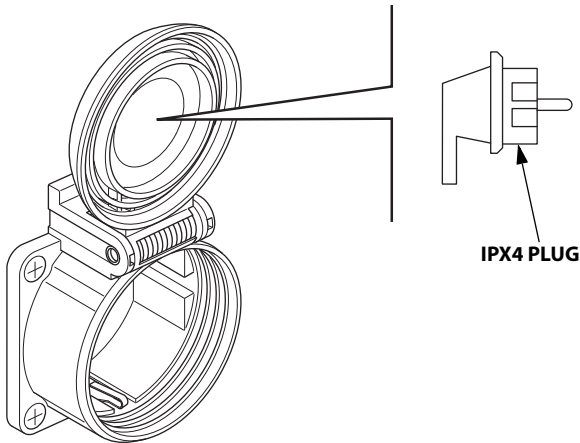
**CAUTION:**

- Do not exceed the current limit specified for any one receptacle.
- Do not modify or use the generator for other purposes than it is intended for. Also observe the following when using the generator.
- Do not connect an extension to the exhaust pipe.
- When an extension cable is required, be sure to use a tough rubber sheathed flexible cable (IEC 245 or equivalent).  
When using an extension cable the resistance value shall not exceed 1.5  $\Omega$ .
- Limit length of extension cables; 60 m (200 feet) for cables of 1.5 mm<sup>2</sup> (0.0023 in<sup>2</sup>) and 100 m (330 feet) for cables of 2.5 mm<sup>2</sup> (0.0039 in<sup>2</sup>). Long extension cables will lower usable power due to resistance in the extension cable.
- Keep the generator away from other electric cables or wires such as commercial power supply lines.

**▲ WARNING**

**GW1 type**

When connecting an angled plug, be sure to use only a IPX4 plug.



---

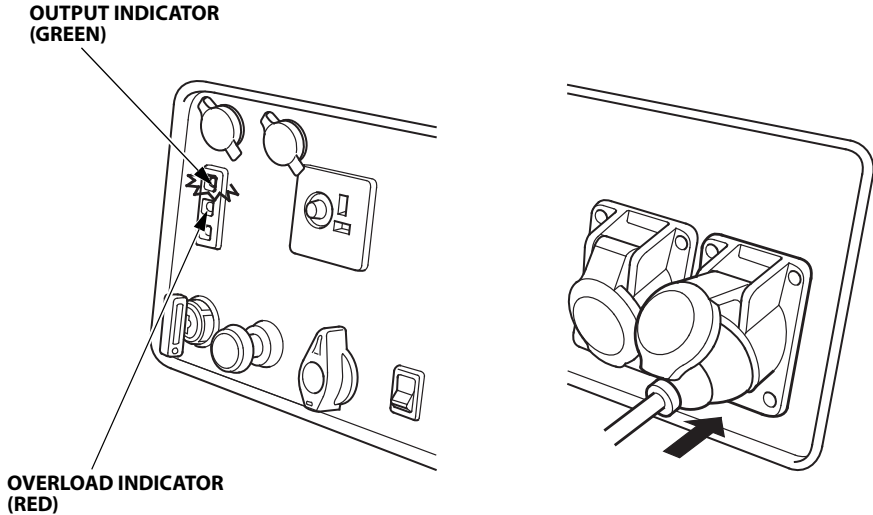
NOTE:

- Most appliance motors require more than their rated wattage for startup. Make sure the electrical rating of the tool or appliance does not exceed the maximum power rating of the generator.  
Maximum power is: 3.0 kVA
- For continuous operation, do not exceed the rated power.  
Rated power is: 2.8 kVA
- In either case, the total power requirements (VA) of all appliances connected must be considered.
- The DC receptacle can be used while the AC power is in use. If you use both at the same time, do not exceed the maximum AC power.  
Maximum AC power: 2.65 kVA

---

## AC applications

1. Start the engine and make sure the Output indicator (green) comes on.
2. Confirm that the appliance to be used is switched off, and plug in the appliance.

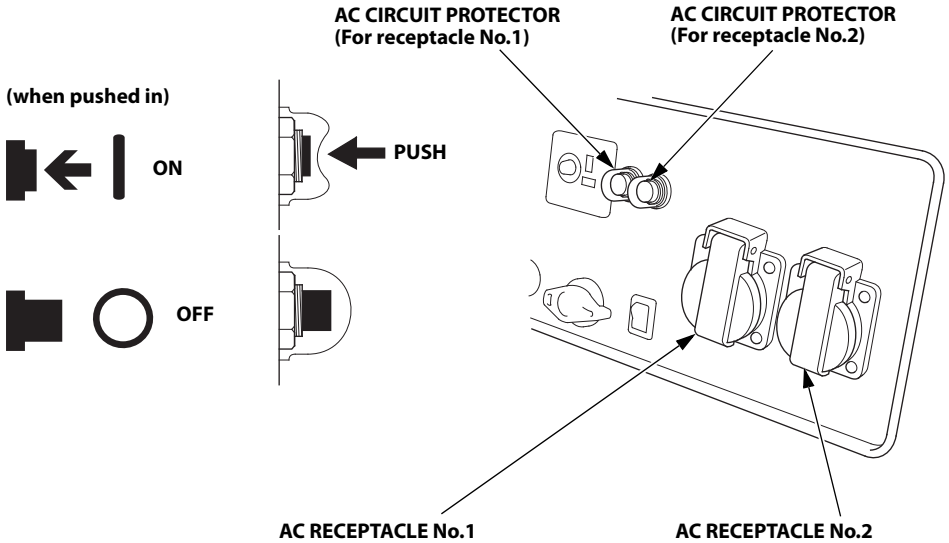


### CAUTION:

- **Substantial overloading that continuously lights the Overload indicator (red) may damage the generator. Marginal overloading that temporarily lights the Overload indicator (red) may shorten the service life of the generator.**
- **Be sure that all appliances are in good working order before connecting them to the generator. Electrical equipment (including lines and plug connections) should not be defective. If an appliance begins to operate abnormally, becomes sluggish, or stops suddenly, turn off the generator engine switch immediately. Then disconnect the appliance, and examine it for signs of malfunction.**

## AC Circuit Protector (B, F, G, GW1 Types)

The AC circuit protector will automatically switch OFF (push button comes out) if there is a short circuit or a significant overload of the generator at receptacle. If an AC circuit protector switches OFF automatically, check that the appliance is working properly and does not exceed the rated load capacity of the circuit before resetting the AC circuit protector ON by pushing the push button in.



---

## Output and Overload Indicators

The Output indicator (green) will remain on during normal operating conditions.

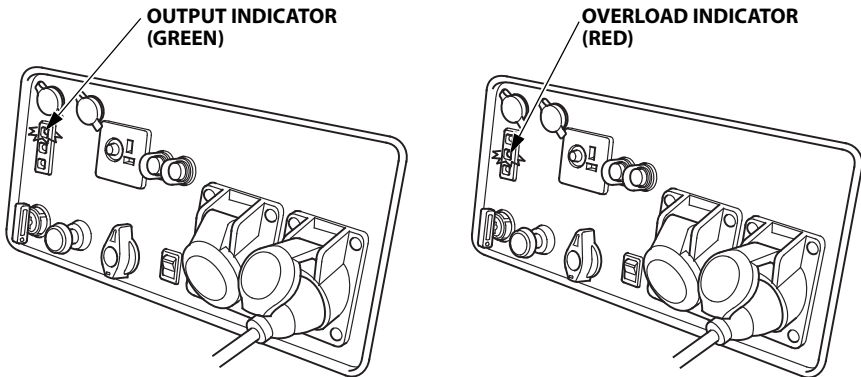
If the generator is overloaded (see page 29), or if there is a short in the connected appliance, the Output indicator (green) will go OFF, the overload indicator (red) will go ON and current to the connected appliance will be shut off.

Stop the engine if the Overload indicator (red) comes on and investigate the overload source.

### NOTE:

The Overload indicator (red) also lights in the following cases:

- When the inverter is overheated; the current to the connected appliance will be shut off. Check to see if the air intake is obstructed.
- Before connecting an appliance to the generator, check that it is in good order, and that its electrical rating does not exceed that of the generator. Then connect the power cord of the appliance, and start the engine.



### NOTE:

When an electric motor is started, both the Overload indicator (red) and the Output indicator (green) may go on simultaneously. This is normal if the Overload indicator (red) goes off after about five (5) seconds. If the Overload indicator (red) stays on, consult your Honda generator dealer.

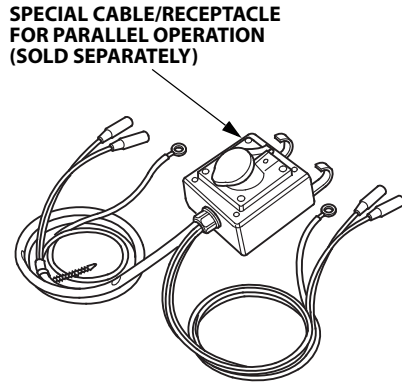
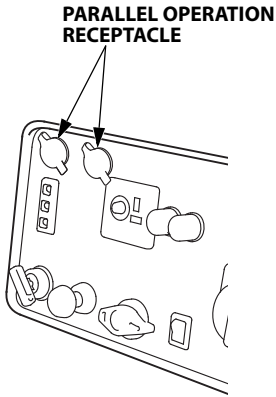
---

## Parallel operation

Please read the item "GENERATOR USE" before connecting any equipment to be used.

Use only a special cable/receptacle for parallel operation (sold separately).

### G, GW1, B, F types





- 
- Most appliance motors require more than their rated wattage for startup. Make sure the electrical rating of the tool or appliance does not exceed the maximum power rating of the generator.  
Maximum power in parallel operation is: 6.0 kVA
  - For continuous operation, do not exceed the rated power.  
Rated power in parallel operation is: 5.6 kVA
  - In either case, the total power requirements (VA) of all appliances connected must be considered.

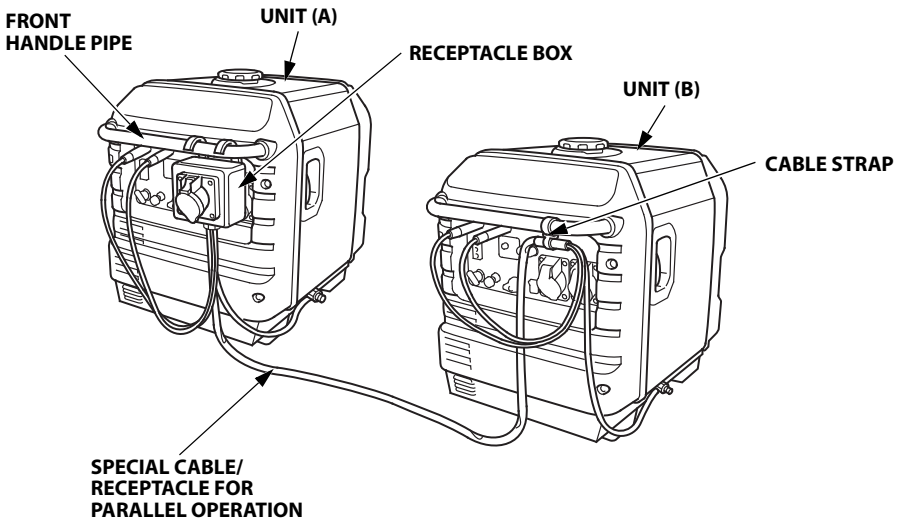
**CAUTION:**

**Substantial overloading that continuously lights the Overload indicator (red) may damage the generator. Marginal overloading that temporarily lights the Overload indicator (red) may shorten the service life of the generator.**

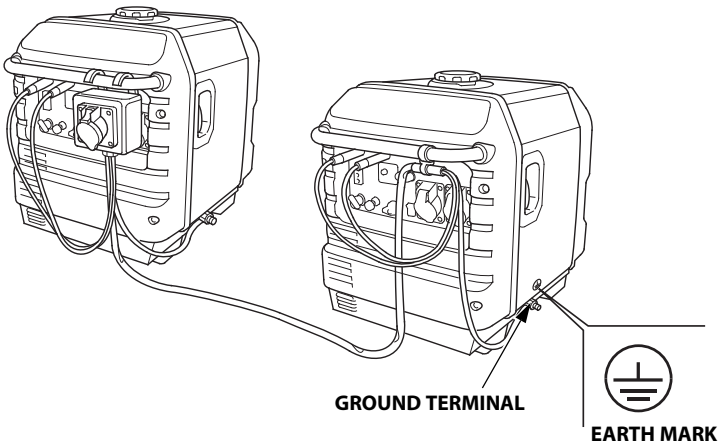
**⚠ WARNING**

- **Never connect the different generator models and types.**
- **Never connect a cable other than the special cable/receptacle for parallel operation.**
- **Connect and remove the special cable/receptacle for parallel operation with the engine stopped.**
- **For single operation, the special cable/receptacle for parallel operation must be removed.**

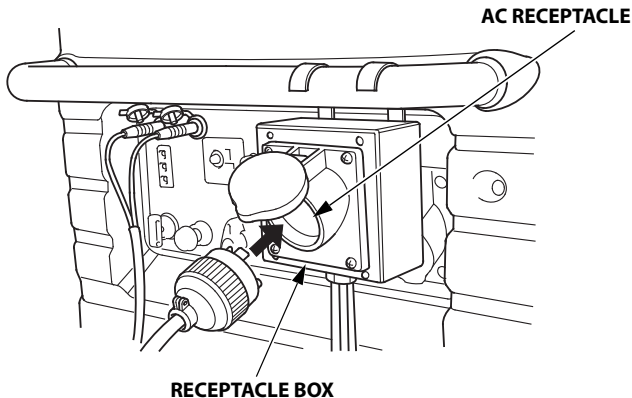
1. Hang the receptacle box of the special cable/receptacle on the front handle pipe of unit (A) or unit (B), and tie the longer cable of the special cable/receptacle to the front handle pipe of the other unit with the cable strap.
2. Connect the special cable/receptacle for parallel operation to the two generators.
  - **Place two generators at least 1 meter (3 feet) away from each other during parallel operation.**
  - **Take care not to slacken the wire toward the starter grip side.**
  - **Connect the longer wire to the generator on which the special cable/receptacle for parallel operation is not installed.**
  - **Do not set the generators with the exhaust side face to face each other.**



3. Be sure to ground the generator when the connected equipment is grounded.



4. Start each engine according to "STARTING THE ENGINE".
  - When the Output indicator (green) does not light and the Overload indicator (red) lights instead, set the engine switch to OFF, stop the engine once, and then start the engine again.
5. Confirm that the equipment to be used is switched off, and insert the plug of the equipment to be used into the AC receptacle of the receptacle box.

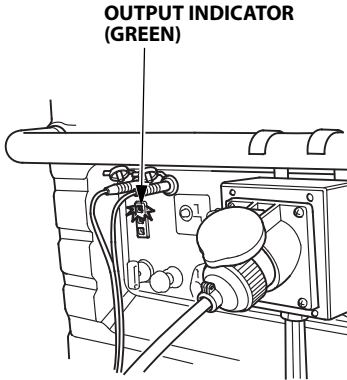


**CAUTION:**

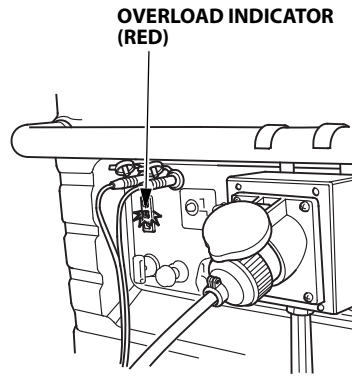
**Confirm that the use equipment to be connected is switched off. When the equipment to be used is switched on, it will operate suddenly, and injuries or accidents may be caused.**

- 
6. Switch on the equipment to be used.  
The Output indicator (green) will light.

**In case of normal operation**



**In case of overload operation or short-circuit**



- In case of overload operation (refer to page 32) or when trouble occurs for the equipment being used, the Output indicator (green) will go out, the Overload indicator (red) will light continuously, and no power will be put out. At this time, the engine will not stop, so that the engine must be stopped by setting the respective engine switch to OFF.

**NOTE:**

- The Overload indicator (red) also lights in the following cases:  
When the inverter is overheated; the current to the connected appliance will be shut off. Check to see if the air intake is obstructed.
  - When equipment requiring a large starting power, like a motor etc., is used, the Overload indicator (red) and the Output indicator (green) may light together for a short time (about 4 sec), but this is no abnormality. After start of the equipment, the Overload indicator (red) will go out and the Output indicator (green) will stay lit.
  - When the operation of one generator is to be stopped after start of the equipment, the special cable/receptacle for parallel operation also must be removed at the same time.
7. When electric power is to be taken again from the generator, switch off the equipment to be used and remove the plug from the AC receptacle. Confirm that the equipment and the connection are normal and that not too much power is to be taken, and then start the engine.

---

## DC Application

The DC receptacle may be used for charging 12 volt automotive-type batteries only.

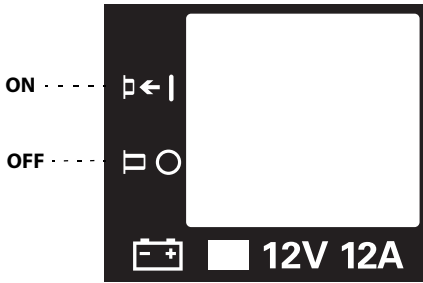
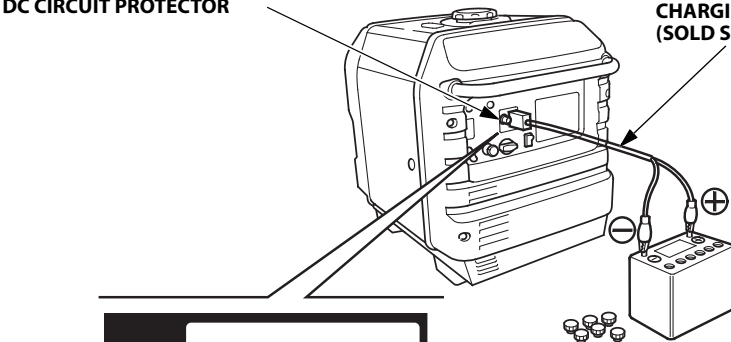
### NOTE:

In DC operation, turn the Eco Throttle switch to the OFF position.

1. Connect the charging cable to the DC receptacle of the generator and then to the battery terminals.

DC CIRCUIT PROTECTOR

CHARGING CABLE  
(SOLD SEPARATELY)



---

**▲ WARNING**

- To prevent the possibility of creating a spark near the battery, connect charging cable first to the generator, then to the battery. Disconnect cable first at the battery.
- Before connecting charging cable to a battery that is installed in a vehicle, disconnect the vehicle's battery cable. Reconnect the vehicle's battery cable after the charging cables are removed. This procedure will prevent the possibility of a short circuit and sparks if you make accidental contact between a battery terminal and the vehicle's frame or body.

**CAUTION:**

- Do not attempt to start an automobile engine with the generator still connected to the battery. The generator may be damaged.
- Connect the positive battery terminal to the positive charging cord. Do not reverse the charging cables, or serious damage to the generator and/or battery may occur.

**▲ WARNING**

- Batteries produce explosive gases: If ignited, and explosion can cause serious injury or blindness. Provide adequate ventilation when charging.
- **CHEMICAL HAZARD:** Battery electrolyte contains sulfuric acid. Contact with eyes or skin, even through clothing, may cause severe burns. Wear a face shield and protective clothing.
- Keep flames and sparks away, and do not smoke in the area.  
**ANTIDOTE:** If electrolyte gets into your eyes, flush thoroughly with warm water for at least 15 minutes and call a physician immediately.
- **POISON:** Electrolyte is poison.  
**ANTIDOTE**
  - External: Flush thoroughly with water.
  - Internal: Drink large quantities of water or milk.  
Follow with milk of magnesia or vegetable oil, and call a physician immediately.
- **KEEP OUT OF REACH OF CHILDREN.**

---

2. Start the engine.

**NOTE:**

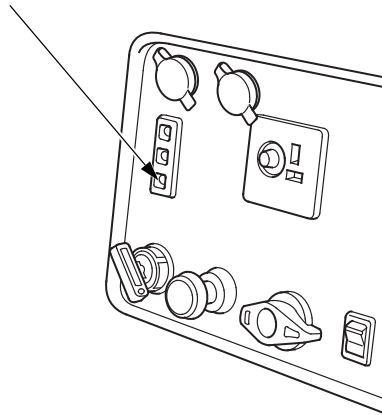
- The DC receptacle may be used while the AC power is in use.
- An overload DC circuit will trip the DC circuit protector (push button comes out).  
If this happens, wait a few minutes before pushing in the circuit protector to resume operation.

**Oil Alert system**

The Oil Alert system is designed to prevent engine damage caused by an insufficient amount of oil in the crankcase. Before the oil level in the crankcase falls below a safe limit, the Oil Alert system will automatically shut down the engine (the engine switch will remain in the ON position).

If the Oil Alert system shuts down the engine, the Oil Alert indicator (red) will come on when you operate the starter, and the engine will not run. If this occurs, add engine oil (see page 16).

**OIL ALERT INDICATOR (RED)**

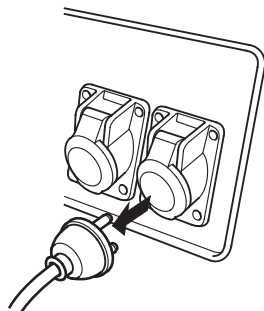


## 7. STOPPING THE ENGINE

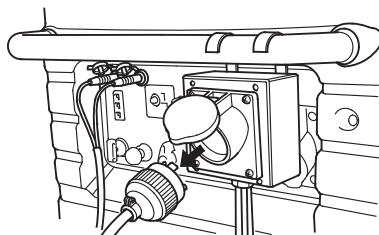
To stop the engine in an emergency, turn the engine switch to the OFF position.

### IN NORMAL USE:

1. Switch off the connected equipment and pull the inserted plug.

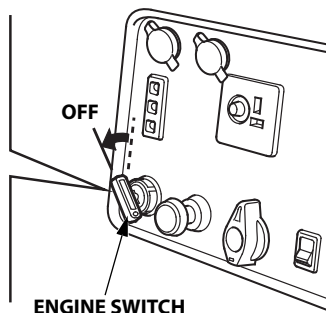


In parallel operation



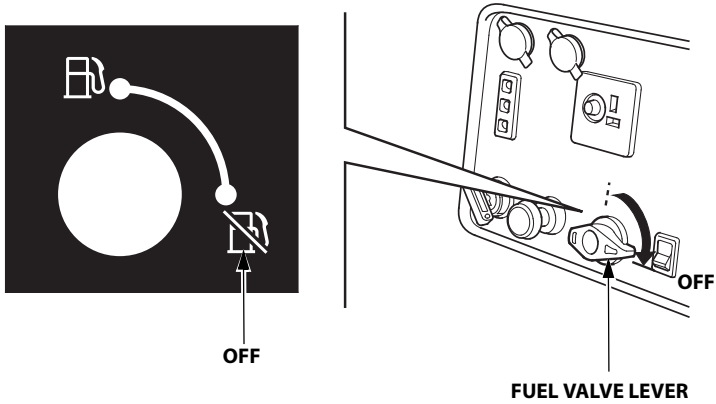
2. Turn the engine switch to the OFF position.

OFF

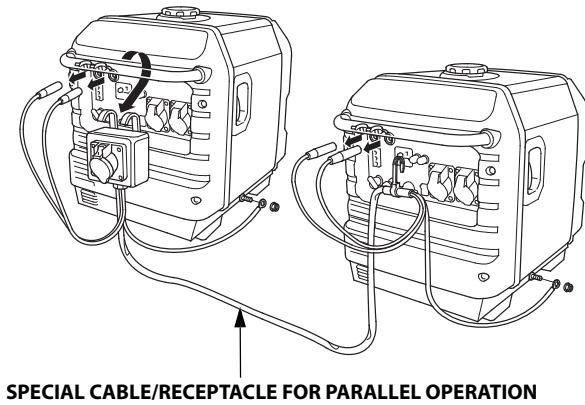




3. Turn the fuel valve lever to the OFF position.



4. When parallel operation has been executed, remove the special cable/receptacle for parallel operation.



## 8. MAINTENANCE

The purpose of the maintenance and adjustment schedule is to keep the generator in the best operating condition. Inspect or service as scheduled in the table below.

### ▲ WARNING

**Make sure the engine is off before you begin any maintenance or repairs. This will eliminate several potential hazards:**

- **Carbon monoxide poisoning from engine exhaust. Be sure there is adequate ventilation whenever you operate the engine.**
- **Burns from hot parts. Let the engine and exhaust system cool before touching.**
- **Injury from moving parts. Do not run the engine unless instructed to do so.**

**The muffler becomes very hot during operation and remains hot for a while after stopping the engine. Be careful not to touch the muffler while it is hot. Let the engine cool before maintenance.**

### CAUTION:

**Use Honda Genuine parts or their equivalent. The use of replacement parts which are not of equivalent quality may damage the generator.**

### Maintenance Schedule

REGULAR SERVICE PERIOD (3)		Each use	First month or 20 hrs.	Every 3 months or 50 hrs.	Every 6 months or 100 hrs.	Every year or 300 hrs.	Page	
Item	Performed at every indicated month or operating hour interval, whichever comes first.							
Engine oil	Check level	o					15	
	Change		o		o		44	
Air cleaner	Check	o					45	
	Clean			o (1)				
	Replace					o*		
Sediment cup	Clean				o		47	
Spark plug	Check-adjust				o		49	
	Replace					o		
Valve Clearance	Check-adjust					o (2)	-	
Combustion chamber	Clean	After every 500 hrs. (2)						-
Fuel tank & filter	Clean					o (2)	-	
Fuel tube	Check	Every 2 years (Replace if necessary) (2)						-

**NOTE:** \* Replace paper element type only.

(1) Service more frequently when used in dusty areas.

(2) These items should be serviced by your servicing dealer, unless you have the proper tools and are mechanically proficient. Refer to Honda shop manual for service procedures.

(3) For commercial use, log hours of operation to determine proper maintenance intervals.

---

## 1. CHANGING OIL

Drain the oil while the engine is still warm to assure rapid and complete draining.

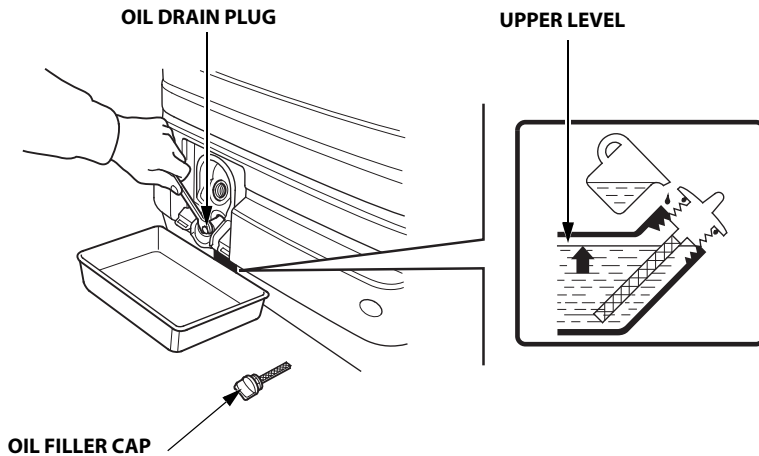
1. Open and remove the oil maintenance cover.
2. Remove the oil filler cap and oil drain plug to drain the oil.
3. Install the oil drain plug, and tighten it securely.

**TORQUE:** 18.0 N·m (1.8 kgf·m, 13 lbf·ft)

4. Fill to the upper level with the recommended oil (see page 15).

**Engine oil capacity:** 0.55 L (0.58 US qt, 0.48 Imp qt)

5. Reinstall, close and latch the oil maintenance cover.



Wash your hands with soap and water after handling used oil.

### NOTE:

Please dispose of used motor oil in a manner that is compatible with the environment. We suggest you take it in a sealed container to your local service station for reclamation. Do not throw it in the trash or pour it on the ground.

---

## 2. AIR CLEANER SERVICE

A dirty air cleaner will restrict air flow to the carburetor. To prevent carburetor malfunction, service the air cleaner regularly. Service more frequently when operating the generator in extremely dusty areas.

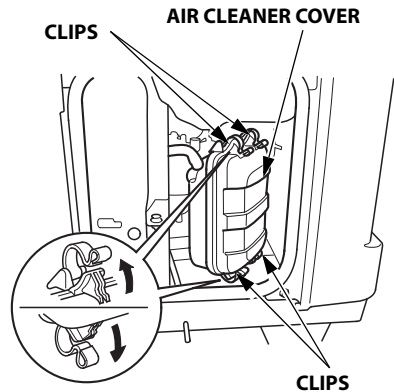
### **⚠ WARNING**

**Do not use gasoline or low flash point solvents for cleaning. They are flammable and explosive under certain conditions.**

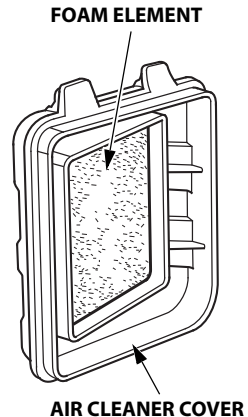
### **CAUTION:**

**Never run the generator without the air cleaner. Rapid engine wear may result.**

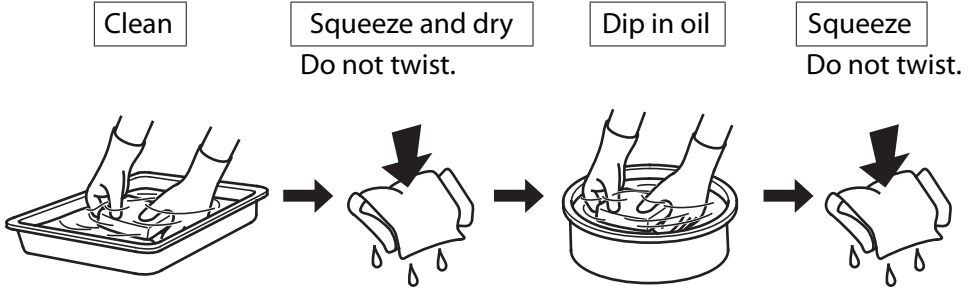
1. Open the left side maintenance cover.
2. Unsnap the clips, remove the air cleaner cover.



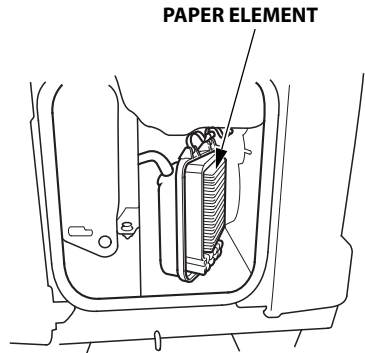
3. Foam element:
  - a. Remove the foam element from the air cleaner cover.
  - b. Wash the foam element in a solution of household detergent and warm water, then rinse thoroughly, or wash in nonflammable or high flashpoint solvent. Allow the foam element to dry thoroughly.



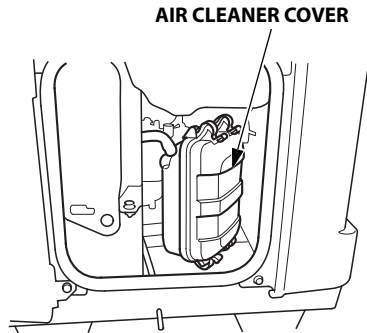
- c. Soak the foam element in clean engine oil and squeeze out the excess oil. The engine will smoke during initial startup if too much oil is left in the foam element.
- d. Reinstall the foam element to the air cleaner cover.



- 4. Paper element:  
If the paper element is dirty, replace it with a new one. Do not clean the paper element.



- 5. Reinstall the air cleaner cover.
- 6. Close and latch the left side maintenance cover.



---

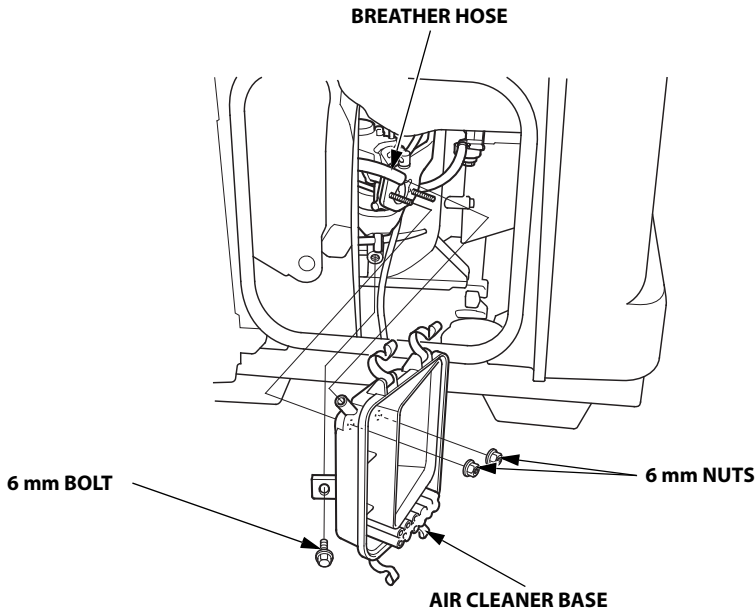
### 3. FUEL SEDIMENT CUP SERVICE

#### **⚠ WARNING**

**Gasoline is extremely flammable and is explosive under certain conditions. Do not smoke or allow flames or sparks in the area.**

The sediment cup prevents dirt or water which may be in the fuel tank from entering the carburetor. If the engine has not been run for a long time, the filter should be cleaned.

1. Turn the engine switch to the OFF position.
2. Turn the fuel valve lever to the OFF position.
3. Open the left side maintenance cover.
4. Remove the air cleaner cover and paper element (see pages 45 and 46).
5. Disconnect the breather hose from the air cleaner base.
6. Remove the 6 mm bolt and two 6 mm nuts, and remove the air cleaner base.

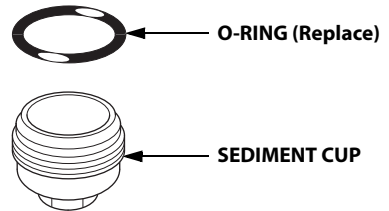
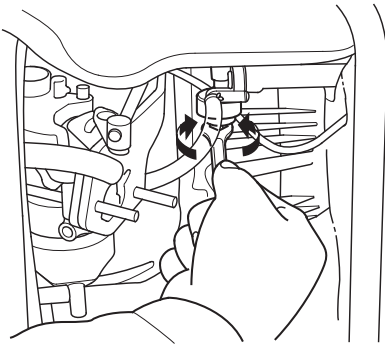


- 
7. Remove the sediment cup by turning it counterclockwise.
  8. Clean the sediment cup in nonflammable or high flash point solvent.
  9. Reinstall a new O-ring and the sediment cup.
  10. Turn the fuel valve to the ON position and check for leaks.

**▲ WARNING**

**After installing the sediment cup, be sure to tighten it securely. Check for fuel leaks and make sure the area is dry before starting the engine.**

11. Reinstall the air cleaner base, and connect the breather gas hose with the air cleaner base.
12. Reinstall the paper element and air cleaner cover.
13. Close and latch the left side maintenance cover.



---

## 4. SPARK PLUG SERVICE

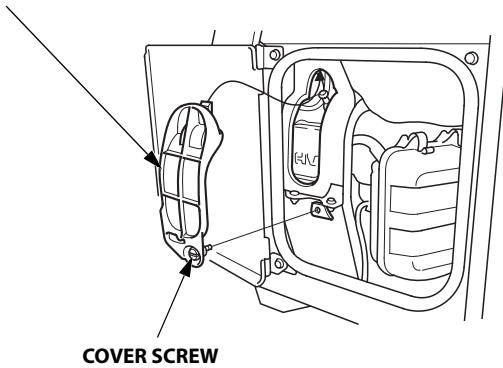
### RECOMMENDED SPARK PLUG:

BPR6ES (NGK), W20EPR-U (DENSO)

To ensure proper engine operation, the spark plug must be properly gapped and free of deposits.

1. Open the left side maintenance cover.
2. Loosen the cover screw and remove the spark plug inspection cover.

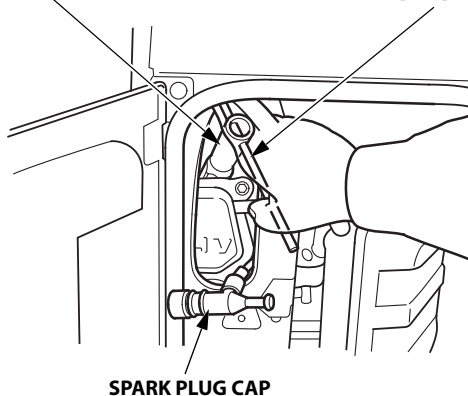
**SPARK PLUG INSPECTION COVER**



3. Remove the spark plug cap.
4. Clean any dirt from around the spark plug base.
5. Use a spark plug wrench to remove the spark plug.

**PLUG WRENCH**

**HANDLE BAR**

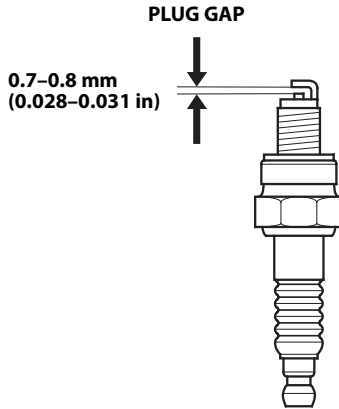




- 
6. Visually inspect the spark plug. Discard it if the insulator is cracked, chipped, or fouled. Clean the spark plug with a wire brush if it is to be reused.
  7. Measure the plug gap with a feeler gauge.  
Correct as necessary by carefully bending the side electrode.

**The gap should be:**

0.7–0.8 mm (0.028–0.031 in)



8. Install the spark plug carefully by hand, to avoid cross-threading.
9. After a new spark plug has been seated by hand, it should be tightened 1/2 turn with a wrench to compress its washer.  
If a used plug is being reinstalled, it should only require 1/8 to 1/4 turn after being seated.

**TORQUE:** 18.0 N·m (1.8 kgf·m, 13 lbf·ft)

10. Reinstall the spark plug inspection cover and tighten the cover screw.
11. Close and latch the left side maintenance cover.

**CAUTION:**

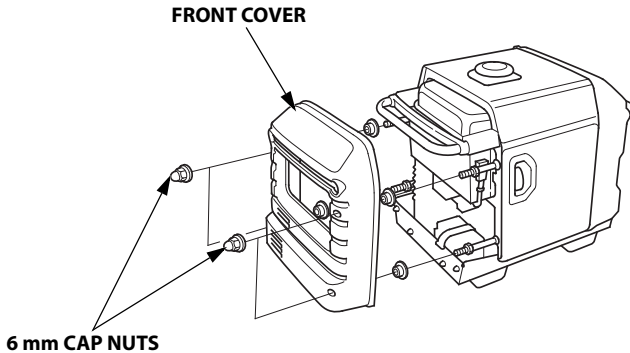
- **The spark plug must be securely tightened. An improperly tightened plug can become very hot and possibly damage the generator.**
- **Never use a spark plug with an improper heat range.**

---

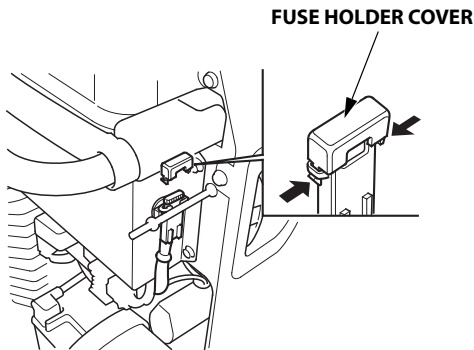
## 5. FUSE REPLACEMENT

If the fuse is blown, the starter motor will not work until it is replaced.

1. Turn the engine switch to the OFF position.
2. Remove the four 6 mm cap nuts and the front cover.



3. Remove the fuse holder cover and replace the fuse.  
Specified fuse: 5 A



### CAUTION:

- If frequent fuse failure occurs, determine the cause and correct the problem before attempting to operate the generator further.
- Never use a fuse with a different rating from that specified. Serious damage to the electrical system or fire may result.

---

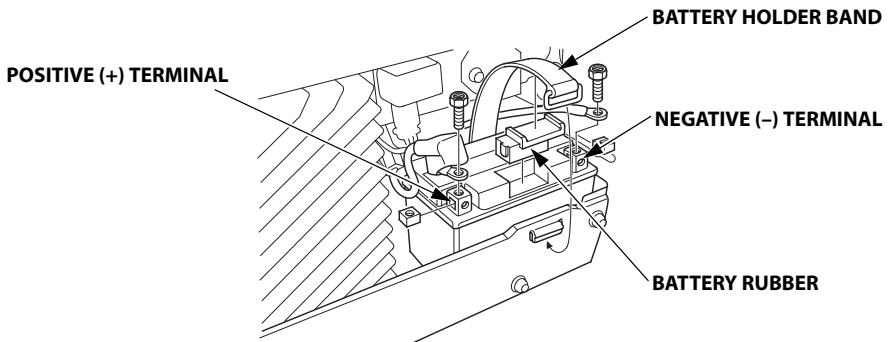
## 6. BATTERY REMOVAL/INSTALLATION

### ⚠ WARNING

- Batteries produce explosive gases: If ignited, and explosion can cause serious injury or blindness. Provide adequate ventilation when charging.
- **CHEMICAL HAZARD:** Battery electrolyte contains sulfuric acid. Contact with eyes or skin, even through clothing, may cause severe burns. Wear a face shield and protective clothing.
- Keep flames and sparks away, and do not smoke in the area.  
**ANTIDOTE:** If electrolyte gets into your eyes, flush thoroughly with warm water for at least 15 minutes and call a physician immediately.  
**POISON:** Electrolyte is poison.
- **ANTIDOTE**
  - External: Flush thoroughly with water.
  - Internal: Drink large quantities of water or milk.  
Follow with milk of magnesia or vegetable oil, and call a physician immediately.
- **KEEP OUT OF REACH OF CHILDREN.**

### Removal:

1. Turn the engine switch to the OFF position.
2. Remove the four 6 mm cap nuts and the front cover. (see page 51)
3. Remove the battery holder band.
4. Disconnect the battery cable at the battery negative (-) terminal, then at the battery positive (+) terminal.



5. Remove the battery and the battery rubber from the battery tray.

---

**Installation:**

1. Make sure that the engine switch is turned OFF.
2. Connect the battery positive (+) cable to the battery positive (+) terminal, then the battery negative (-) cable to the battery negative (-) terminal.  
Tighten the bolts and nuts securely.
3. Install the battery rubber and the battery holder band.
4. Install the front cover, and install the four 6 mm cap nuts.

**CAUTION:**

**When disconnecting the battery cable, be sure to disconnect at the battery negative (-) terminal first. To connect, connect at the positive (+) terminal first, then at the negative (-) terminal. Never dis/connect the battery cable in the reverse order, or it causes a short circuit when a tool contacts the terminals.**



This symbol on the battery means that this product must not be treated as household waste.

**NOTE:**

An improperly disposed of battery can be harmful to the environment and human health.

Always confirm local regulations for battery disposal.

## 9. TRANSPORTING/STORAGE

---

To prevent fuel spillage when transporting or during temporary storage, the generator should be secured upright in its normal operating position, with the engine switch OFF.

The fuel valve lever should be turned OFF.

### **▲ WARNING**

**When transporting the generator:**

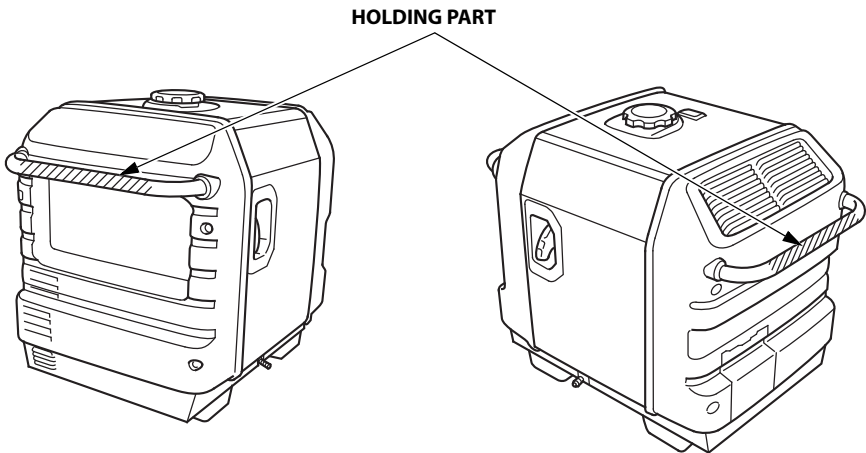
- **Do not overfill the tank.**
- **Do not operate the generator while it is on a vehicle. Take the generator off the vehicle and use it in a well ventilated place.**
- **Avoid a place exposed to direct sunlight when putting the generator on a vehicle. If the generator is left in an enclosed vehicle for many hours, high temperature inside the vehicle could cause fuel to vaporize resulting in a possible explosion.**
- **Do not drive on a rough road for an extended period with the generator on board. If you must transport the generator on a rough road, drain the fuel from the generator beforehand.**

NOTE:

To lift up the generator, hold the holding part (shaded areas in the figure below) with your assistants.

According to EUROPEAN STANDARD EN ISO 8528-13

*Carrying the generating set is considered that a 140 kg set should be provided with the means of carrying by 4 persons.*



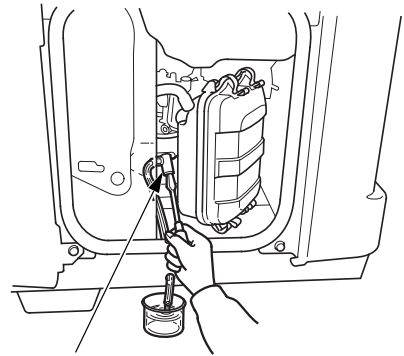
Before storing the unit for an extended period:

1. Be sure the storage area is free of excessive humidity and dust.
2. Drain the fuel.

**▲WARNING**

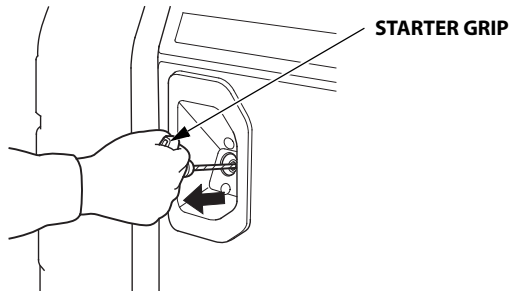
**Gasoline is extremely flammable and is explosive under certain conditions. Perform this task in a well ventilated area with the engine stopped. Do not smoke or allow flames or sparks in the area during this procedure.**

- a. Open the left side maintenance cover.
- b. Turn fuel valve lever to ON and then loosen the carburetor drain screw. Drain the gasoline from the carburetor and fuel tank into a suitable container.
- c. Tighten the carburetor drain screw, turn the fuel valve lever to OFF and close the left side maintenance cover.



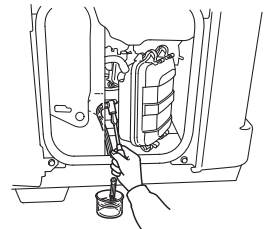
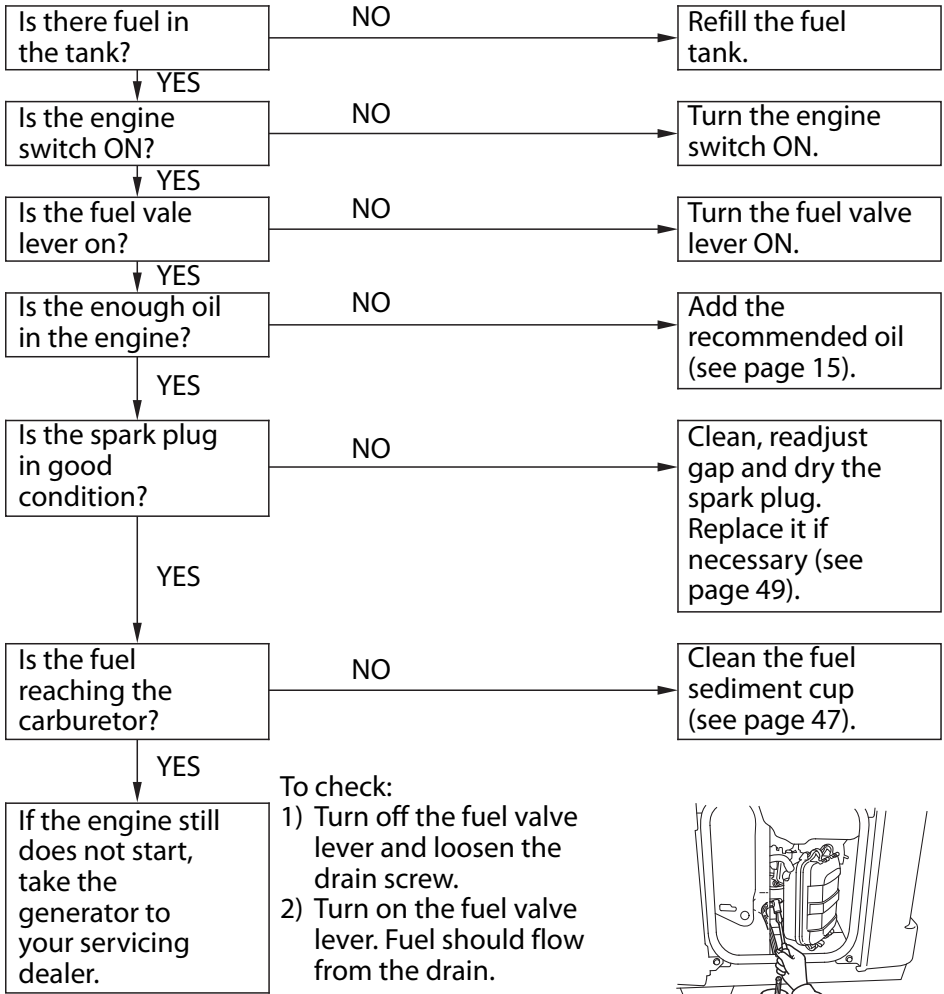
**DRAIN SCREW**

3. Once a month, recharge the battery.
4. Change the engine oil.
5. Remove the spark plug and pour about a tablespoon of clean engine oil into the cylinder. Crank the engine several revolutions to distribute the oil, then reinstall the spark plug.
6. Slowly pull the starter grip until resistance is felt. At this point, the piston is coming up on its compression stroke and both the intake and exhaust valves are closed. Storing the engine in this position will help to protect it from internal corrosion.



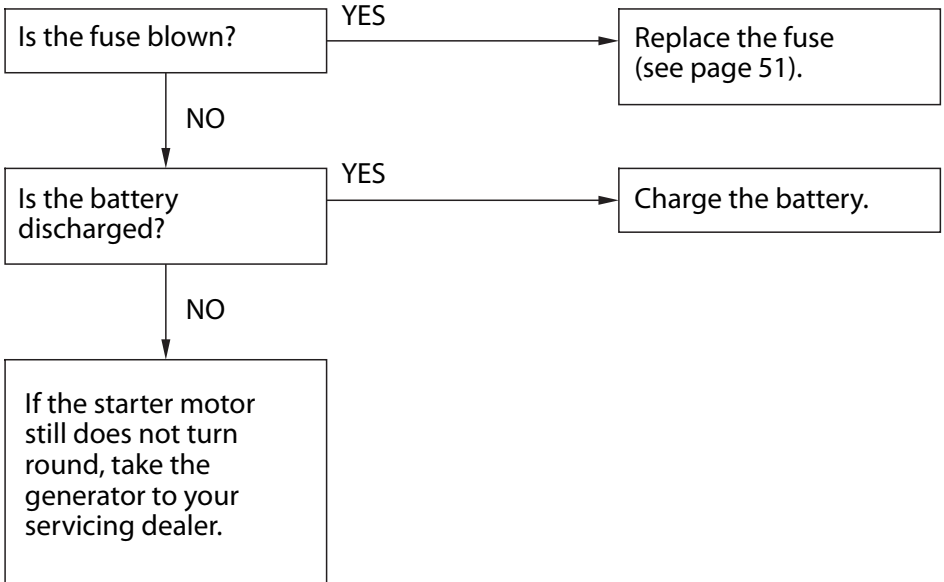
# 10. TROUBLESHOOTING

When the engine will not start:



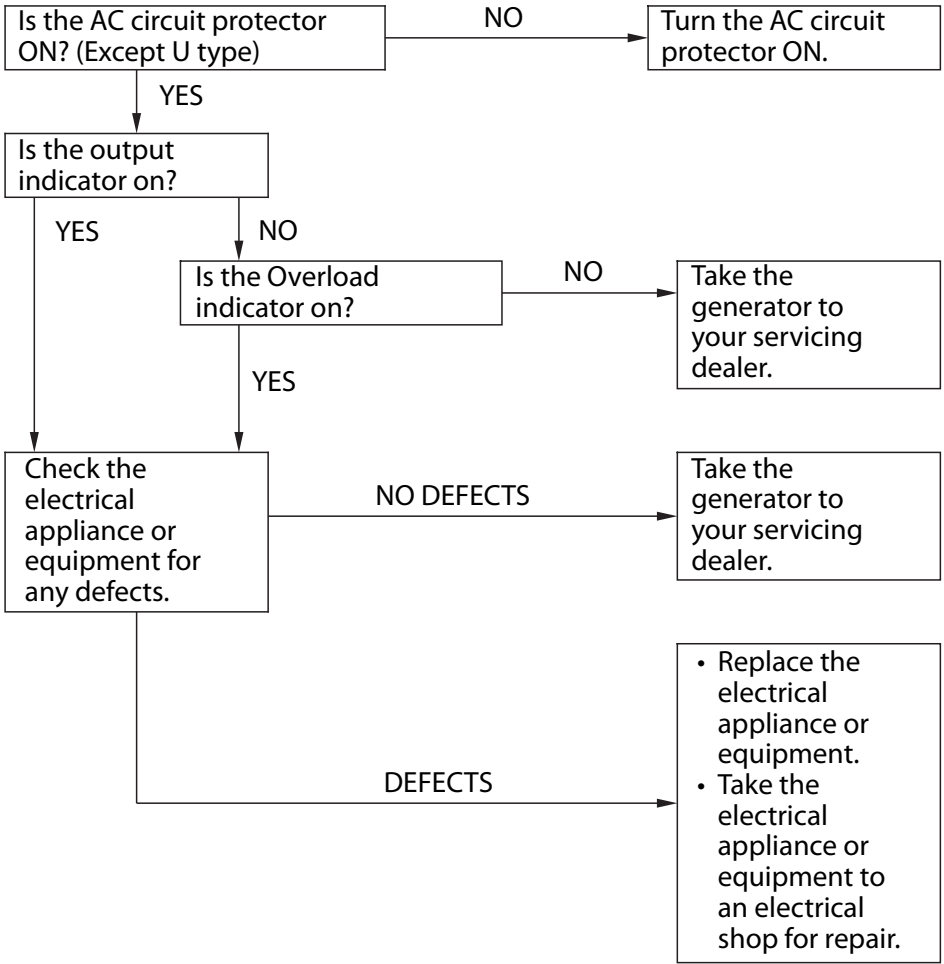
---

Starter motor does not turn round:

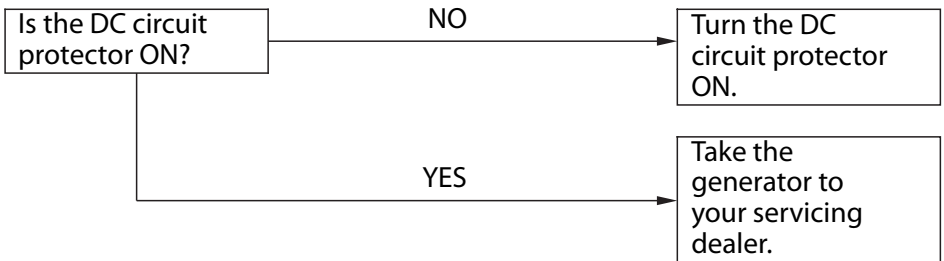




Appliance does not operate:



No electricity at the DC receptacle:



# 11. SPECIFICATIONS

## Dimensions and Weight

Model		EU30is1
Description code		EZGF
Length	(Stand type)	658 mm (25.9 in)
	(Wheel type)	658 mm (25.9 in)
Width	(Stand type)	447 mm (17.6 in)
	(Wheel type)	482 mm (19.0 in)
Height	(Stand type)	558 mm (22.0 in)
	(Wheel type)	570 mm (22.4 in)
Dry mass (weight)	(Stand type)	59.0 kg (130.1 lbs)
	(Wheel type)	61.2 kg (134.9 lbs)

## Engine

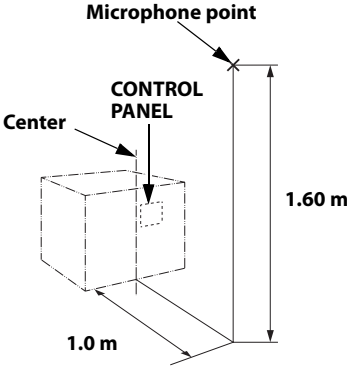
Model		GX200T2
Engine type		4-stroke, overhead valve, single cylinder
Displacement		196 cm <sup>3</sup> (12.0 cu-in)
Bore×Stroke		68.0×54.0 mm (2.68×2.13 in)
Compression ratio		8.5:1
Engine speed		2,500–3,800 min <sup>-1</sup>
		3,500–3,800 min <sup>-1</sup> (with Eco throttle OFF)
Cooling system		Forced air
Ignition system		Transistor magneto
Oil capacity		0.55 L (0.58 US qt, 0.48 Imp qt)
Fuel tank capacity		13.0 L (3.43 US gal, 2.86 Imp gal)
Spark plug		BPR6ES (NGK) W20EPR-U (DENSO)
Battery		12 V 8.6 Ah/10 HR
Carbon dioxide (CO <sub>2</sub> ) emissions*		Please refer to "CO <sub>2</sub> Information List" on <a href="http://www.honda-engines-eu.com/co2">www.honda-engines-eu.com/co2</a>

\* The CO<sub>2</sub> measurement results from testing over a fixed test cycle under laboratory conditions a(n) (parent) engine representative of the engine type (engine family) and shall not imply or express any guarantee of the performance of a particular engine.

## Generator

Model		EU30is1
Type		F, G, GW1, B
AC output	Rated Voltage (V)	230
	Rated Frequency (Hz)	50
	Rated Ampere (A)	12.2
	Rated Output (kVA)	2.8
	Max Output (kVA)	3.0
DC rated output		Only for charging 12 V automotive batteries. 12 V, 12 A

## Noise

Model	EU30is1
Type	F, G, GW1, B
Sound pressure level at the workstation (2006/42/EC)	74 dB (A) (with Eco throttle ON)
	
Uncertainty	2 dB (A)
Measured sound power level (2000/14/EC, 2005/88/EC)	89 dB (A) (with Eco throttle ON)
Uncertainty	2 dB (A)
Guaranteed sound power level (2000/14/EC, 2005/88/EC)	91 dB (A) (with Eco throttle ON)

“the figures quoted are emission levels and are not necessarily safe working levels. Whilst there is a correlation between the emission and exposure levels, this cannot be used reliably to determine whether or not further precautions are required. Factors that influence the actual level of exposure of work-force include the characteristics of the work room, the other sources of noise, etc. i.e. the number of machines and other adjacent processes, and the length of time for which an operator is exposed to the noise. Also the permissible exposure level can vary from country. This information, however, will enable the user of the machine to make a better evaluation of the hazard and risk”.

### NOTE:

Specifications are subject to change without notice.

## INDEX

(See inside back cover)

EU30is: G, GW1, B, F types.....W-1

## ABBREVIATIONS

<b>Symbol</b>	<b>Part name</b>
ACCP	AC Circuit Protector
ACNF	AC Noise Filter
ACOR	AC Output Receptacle
Bat	Battery
ChW	Charge Winding
CPB	Control Panel Block
CPG	Control Panel Ground
CSw	Combination Switch
DCCP	DC Circuit Protector
DCD	DC Diode
DCNF	DC Noise Filter
DCOR	DC Output Receptacle
DCW	DC Winding
EcoSw	Eco Throttle Switch
EgB	Engine Block
EgG	Engine Ground
ESw	Engine Switch
FB	Frame Block
FU	Fuse
GeB	Generator Block
GT	Ground Terminal
ICU	Ignition Control Unit
IgC	Ignition Coil
IU	Inverter Unit
MW	Main Winding
OAL	Oil Alert Indicator
OI	Overload Indicator
OLSw	Oil Level Switch

<b>Symbol</b>	<b>Part name</b>
PL	Output Indicator
POR	Parallel Operation Receptacle
Reg	Regulator
SP	Spark Plug
StM	Starter Motor
StpM	Stepping Motor
StR	Starter Relay
SW	Sub Winding

## WIRE COLOR CODE

Bl	BLACK
Y	YELLOW
Bu	BLUE
G	GREEN
R	RED
W	WHITE
Br	BROWN
Lg	LIGHT GREEN
Gr	GRAY
Lb	LIGHT BLUE
O	ORANGE
P	PINK

---

## SWITCH CONNECTIONS

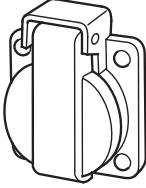
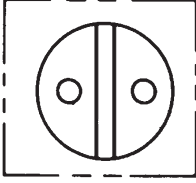
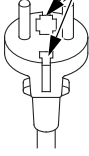
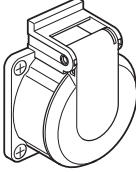
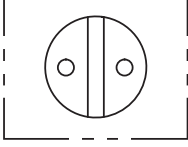
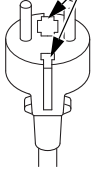
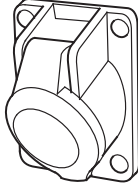
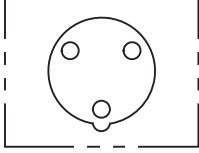
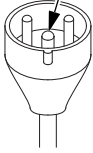
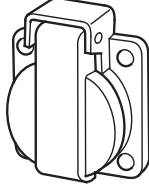
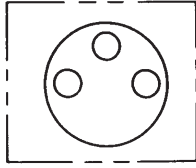
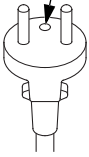
### COMBINATION SWITCH

	IG	E	BAT	ST	FS	G
OFF	○	○			○	○
ON						
START			○	○		

### ECO THROTTLE SWITCH

	BI/R	G/W	ECO THROTTLE
ON	○	○	OFF
OFF			ON

# RECEPTACLE

Type		Shape	Plug
G			 <b>GROUND PIN</b>
GW1			 <b>GROUND PIN</b>
B			 <b>GROUND PIN</b>
F			 <b>GROUND PIN</b>

---

**MEMO**

**Honda EU30is**

**MANUEL DE L'UTILISATEUR**  
Notice originale







---

Nous vous remercions d'avoir porté votre choix sur un groupe électrogène Honda.

Ce manuel couvre l'utilisation et l'entretien du groupe électrogène EU30is.

Toutes les informations de cette publication sont basées sur les dernières données sur le produit disponibles au moment de la mise sous presse.

Honda Motor Co., Ltd. se réserve le droit d'apporter des modifications à tout moment sans préavis et sans obligation quelconque.

Aucune partie de cette publication ne peut être reproduite sans autorisation écrite.

Ce manuel doit être considéré comme un élément permanent du groupe électrogène et doit l'accompagner en cas de revente.

Attacher une attention particulière aux indications précédées des mentions suivantes :

**▲ AVERTISSEMENT** Signale une forte possibilité de blessures corporelles graves, voire un danger mortel, si les instructions ne sont pas suivies.

**ATTENTION** : Indique un risque de blessure personnelles ou d'endommagement de l'équipement si les instructions ne sont pas suivies.

REMARQUE : Fournit des informations utiles.

En cas de dérangement, ou pour toute question concernant ce groupe électrogène, veuillez vous adresser au revendeur local Honda.

**▲ AVERTISSEMENT**

**Les groupes électrogènes Honda ont été conçus pour assurer un fonctionnement sûr et fiable lorsqu'ils sont utilisés conformément aux instructions données. Lire très attentivement le manuel de l'utilisateur avant d'utiliser le groupe électrogène. Ne pas le faire pourrait se traduire par des blessures ou des dommages matériels.**

Les illustrations peuvent varier en fonction du type.

# SOMMAIRE

---

1. CONSIGNES DE SECURITE .....	3
2. EMPLACEMENT DES ETIQUETTES DE SECURITE.....	7
• Emplacement de la marque CE et des étiquettes sur les émissions sonores.....	10
3. IDENTIFICATION DES COMPOSANTS .....	11
4. CONTROLE AVANT UTILISATION .....	15
5. MISE EN MARCHÉ DU MOTEUR.....	20
• Utilisation à haute altitude .....	26
6. UTILISATION DU GROUPE .....	27
7. ARRÊT DU MOTEUR .....	41
8. ENTRETIEN .....	43
9. TRANSPORT/REMISAGE .....	54
10. DEPANNAGE .....	56
11. CARACTERISTIQUES .....	59
12. SCHEMA DE CABLAGE.....	61
CONNEXIONS DE COMMUTATEUR.....	62
PRISE .....	63
CONCESSIONNAIRES Honda .....	Dos de la couverture arrière
"CE-Déclaration de conformité" DESCRIPTION DE TABLE DES MATIERES .....	Dos de la couverture arrière

## **INFORMATIONS DE SECURITE IMPORTANTES**

Les groupes électrogènes Honda sont destinés à alimenter des équipements électriques ayant une puissance requise appropriée. Toute autre utilisation pourrait entraîner un accident pour l'utilisateur ou des dégâts sur le groupe électrogène de d'autres dommages matériels.

On pourra éviter la plupart des blessures ou dommages matériels en suivant toutes les instructions de ce manuel et sur le groupe électrogène. Les dangers les plus courants sont décrits ci-dessous avec l'indication du meilleur moyen pour s'en protéger soi-même et en protéger les autres.

Ne jamais essayer de modifier le groupe électrogène. Il pourrait en résulter un accident ainsi que des dommages au groupe électrogène et aux appareils branchés. La modification interdite avec le moteur annule la réception UE de ce moteur.

- Ne pas raccorder de rallonge au silencieux.
- Ne pas modifier le système d'admission.
- Ne pas régler le régulateur de régime.
- Ne pas déposer le panneau de commande et ne pas modifier son câblage.

## **Responsabilités de l'opérateur**

Apprendre à arrêter rapidement le groupe électrogène en cas d'urgence.

Bien comprendre l'utilisation de toutes les commandes du groupe électrogène, prises de sortie et connexions.

Veiller à ce que toutes les personnes utilisant le groupe électrogène reçoivent une instruction appropriée. Ne pas laisser les enfants utiliser le groupe électrogène sans surveillance parentale.

Observer les instructions de ce manuel sur la manière d'utiliser le groupe électrogène ainsi que les informations d'entretien. En ignorant ou suivant incorrectement les instructions, on risque un accident tel qu'une électrocution et l'état des gaz d'échappement peut se dégrader.

Respecter toutes les réglementations applicables du lieu où le groupe électrogène est utilisé.

L'essence et l'huile sont toxiques. Suivre les instructions fournies par chaque fabricant avant l'emploi.

Avant l'utilisation, placer le groupe électrogène sur une surface horizontale et ferme.

Ne pas faire fonctionner le groupe électrogène avec un couvercle retiré. On s'exposerait à un accident si une main ou un pied se prenait dans le groupe électrogène.

Pour le démontage et les interventions sur le groupe électrogène non couvertes par ce manuel, consulter un concessionnaire Honda agréé.

---

## **Dangers du monoxyde de carbone**

Les gaz d'échappement contiennent du monoxyde de carbone, un gaz toxique incolore et inodore. Les gaz d'échappement peuvent provoquer des évanouissements et être mortels.

Si l'on fait fonctionner le groupe électrogène dans un endroit fermé ou même partiellement clos, l'air respiré peut contenir une quantité dangereuse de gaz d'échappement.

Ne jamais faire fonctionner le groupe électrogène dans un garage, une maison ou à proximité de fenêtres ou portes ouvertes.

## **Risques d'électrocution**

Le groupe électrogène produit une puissance électrique suffisamment importante pour provoquer un choc électrique grave ou une électrocution s'il est mal utilisé.

L'utilisation du groupe électrogène ou d'un appareil électrique dans des conditions humides telles que pluie ou neige, près d'une piscine ou d'un dispositif d'arrosage ou avec les mains mouillées peut être à l'origine d'une électrocution.

Garder le groupe électrogène sec.

Si le groupe électrogène se trouve à l'extérieur dans un endroit non protégé contre les intempéries, vérifier toutes les pièces électriques du panneau de commande avant chaque utilisation. L'humidité ou la glace peuvent provoquer une anomalie ou un court-circuit des pièces électriques pouvant causer une électrocution.

En cas de choc électrique, consulter immédiatement un médecin pour recevoir un traitement médical.

---

## **Danger d'incendie et de brûlures**

Ne pas utiliser le groupe électrogène dans des endroits présentant des risques importants d'incendie.

Le système d'échappement devient assez chaud pour enflammer certains matériaux.

- Garder le groupe électrogène à au moins 1 mètre des bâtiments et des autres équipements pendant l'utilisation.
- Ne pas enfermer le groupe électrogène dans une structure.
- Ne pas approcher de matières inflammables du groupe électrogène.

Certaines pièces du moteur à combustion interne sont chaudes et peuvent provoquer des blessures. Prêter attention aux avertissements sur le groupe électrogène.

Le silencieux devient très chaud pendant le fonctionnement et reste chaud pendant un moment après l'arrêt du moteur. Faire attention à ne pas toucher le silencieux lorsqu'il est chaud. Laisser le moteur refroidir avant de rentrer le groupe électrogène à l'intérieur.

En cas d'incendie du groupe électrogène, ne pas verser d'eau directement dessus. Utiliser un extincteur d'incendie approprié spécialement conçu pour les incendies électriques ou d'huile.

Si l'on a respiré des fumées produites par un incendie accidentel du groupe électrogène, consulter immédiatement un médecin pour recevoir un traitement médical.

## **Faire le plein de carburant avec précaution**

L'essence est extrêmement inflammable et les vapeurs d'essence peuvent exploser.

Laisser le moteur se refroidir si le groupe électrogène vient de fonctionner.

Ne faire le plein qu'à l'extérieur dans un endroit bien aéré et avec le moteur arrêté.

Ne pas faire le plein de carburant pendant l'utilisation.

Ne pas trop remplir le réservoir de carburant.

Ne jamais fumer à proximité de l'essence et ne pas approcher de flammes ou d'étincelles.

Toujours stocker l'essence dans un récipient approprié.

Avant de mettre le moteur en marche, s'assurer que tout carburant renversé a été essuyé et nettoyé.

---

## **Antidéflagrant**

Ce groupe électrogène n'est pas à l'épreuve des déflagrations.

## **Mise au rebut**

Pour protéger l'environnement, ne pas jeter le groupe électrogène, la batterie, l'huile moteur usagée, etc. aux ordures.

Pour leur mise au rebut, observer la réglementation locale ou consulter un revendeur de groupes électrogènes Honda agréé.

Se débarrasser de l'huile moteur usagée d'une manière compatible avec l'environnement. Nous conseillons de la porter dans un récipient fermé à une station-service locale pour son recyclage. Ne pas la jeter à la décharge ou la vider sur le sol.

Une batterie jetée n'importe où peut être nocive pour l'environnement. Toujours respecter la réglementation locale en vigueur pour la mise au rebut des batteries. Faire remplacer la batterie par son concessionnaire d'entretien.

## **ELIMINATION DU GENERATEUR**

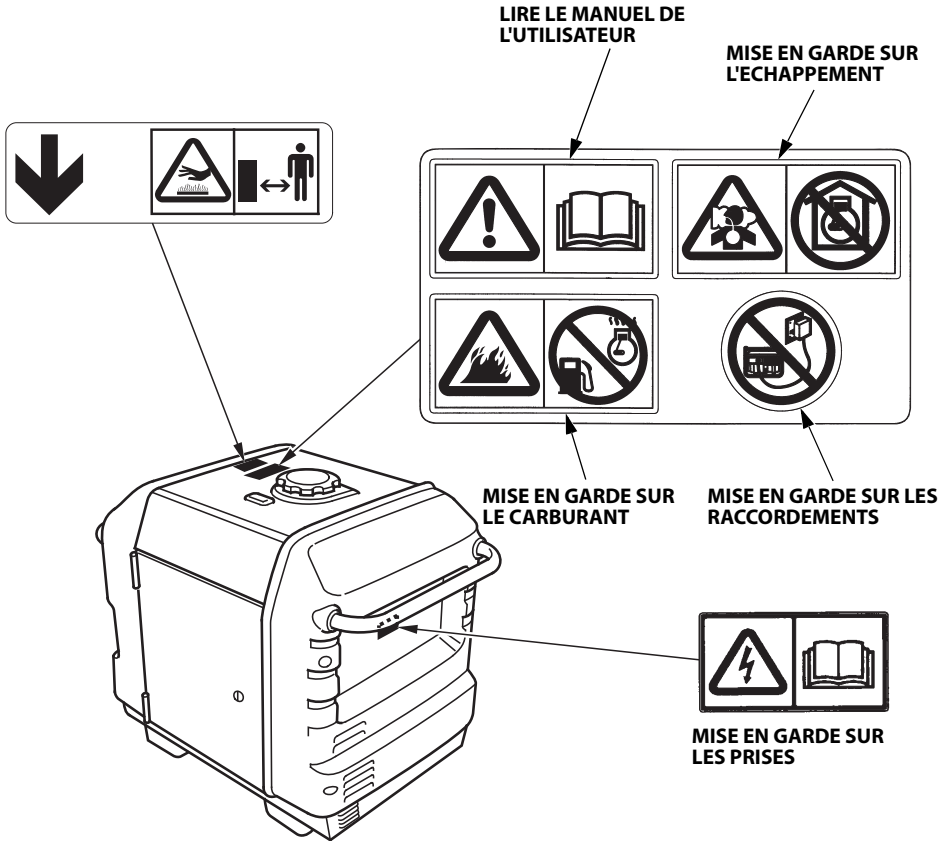


N'éliminez pas le matériel électrique avec les ordures ménagères. Si des appareils électriques sont éliminés dans des décharges ou des dépotoirs, des substances risquent de fuir, de réagir, puis d'entrer dans la chaîne alimentaire et de nuire à votre santé et à votre bien-être. Pour de plus amples informations sur l'élimination de ce produit, consultez votre revendeur ou le service de collecte des ordures ménagères le plus proche.

## 2. EMBLACEMENT DES ÉTIQUETTES DE SÉCURITÉ

Ces étiquettes ont pour objet de mettre en garde contre les risques potentiels de blessures graves. Lire attentivement ces étiquettes, de même que les avertissement et les remarques de sécurité donnés dans ce manuel.

Si une étiquette se détache ou devient illisible, s'adresser à un concessionnaire réparateur pour la faire remplacer.







- Les groupes électrogènes Honda ont été conçus pour assurer un fonctionnement sûr et fiable lorsqu'ils sont utilisés conformément aux instructions données.  
Lire très attentivement le manuel de l'utilisateur avant d'utiliser le groupe électrogène. Ne pas le faire pourrait se traduire par des blessures ou des dommages matériels.



- Les gaz d'échappement contiennent du monoxyde de carbone, un gaz toxique incolore et inodore. L'inhalation du monoxyde de carbone peut provoquer l'évanouissement et entraîner la mort.
- Si l'on fait fonctionner le groupe électrogène dans un endroit fermé ou même partiellement clos, l'air respiré peut contenir une quantité dangereuse de gaz d'échappement.
- Ne jamais faire fonctionner le groupe électrogène dans un garage, une maison ou à proximité de fenêtres ou portes ouvertes.



- Un raccordement incorrect au système électrique d'un bâtiment peut permettre le retour du courant du groupe électrogène dans le réseau public. Un tel retour du courant peut provoquer l'électrocution du personnel de la compagnie d'électricité ou de toute autre personne touchant les lignes électriques pendant une panne de courant. De plus, le groupe électrogène risque d'exploser, de brûler ou de provoquer un incendie lors du rétablissement du courant.  
Avant d'effectuer des raccordements électriques, consulter la compagnie d'électricité ou un électricien qualifié.



- **L'essence est hautement inflammable et explosive. Arrêter le moteur et le laisser refroidir avant de faire le plein.**



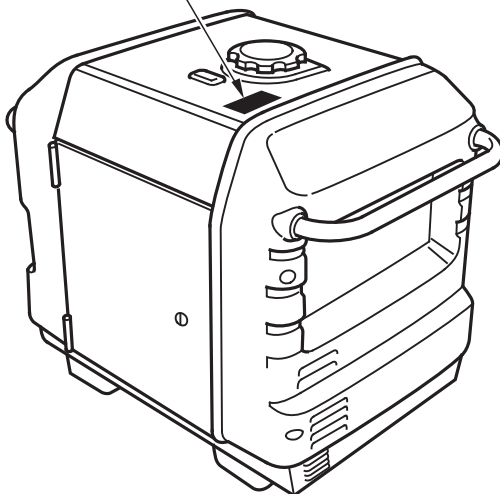
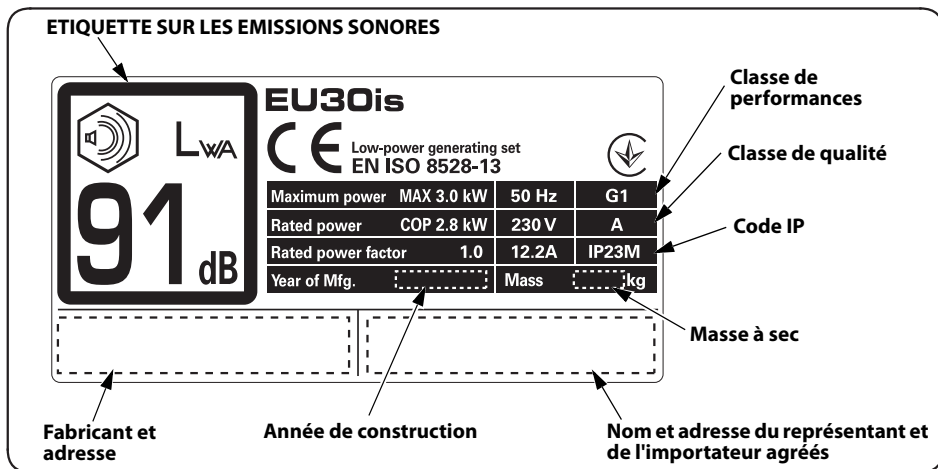
- **Un système d'échappement chaud peut provoquer de graves brûlures. Ne pas le toucher lorsque le moteur vient de tourner.**



- **Arrêter le moteur avant de brancher ou débrancher le boîtier de prise de courant pour fonctionnement en parallèle.**
- **Pour un fonctionnement en solo, il faut débrancher le boîtier de prise de courant pour fonctionnement en parallèle.**

- **Emplacement de la marque CE et des étiquettes sur les émissions sonores**

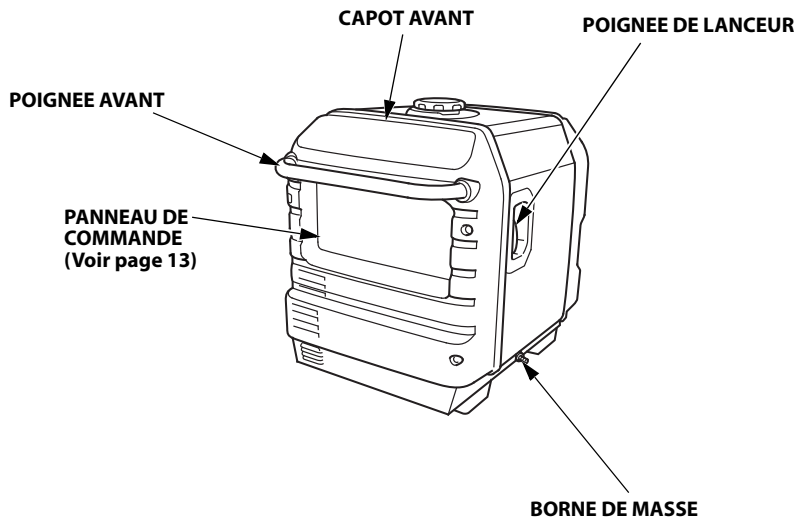
- **MARQUE CE et ETIQUETTE SUR LES EMISSIONS SONORES**



Le nom et l'adresse du constructeur, du représentant et de l'importateur agréés figurent dans la "CE-Déclaration de conformité" DESCRIPTION DE TABLE DES MATIERES dans le présent manuel de l'utilisateur.

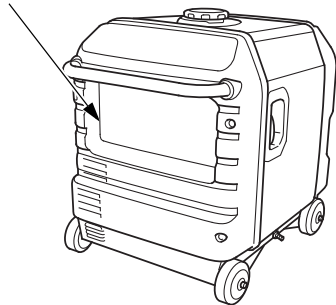
### 3. IDENTIFICATION DES COMPOSANTS

#### <TYPE A SUPPORT FIXE>



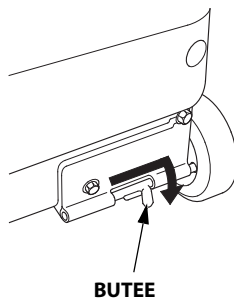
#### <TYPE A ROUES>

PANNEAU DE COMMANDE  
(Voir page 13)

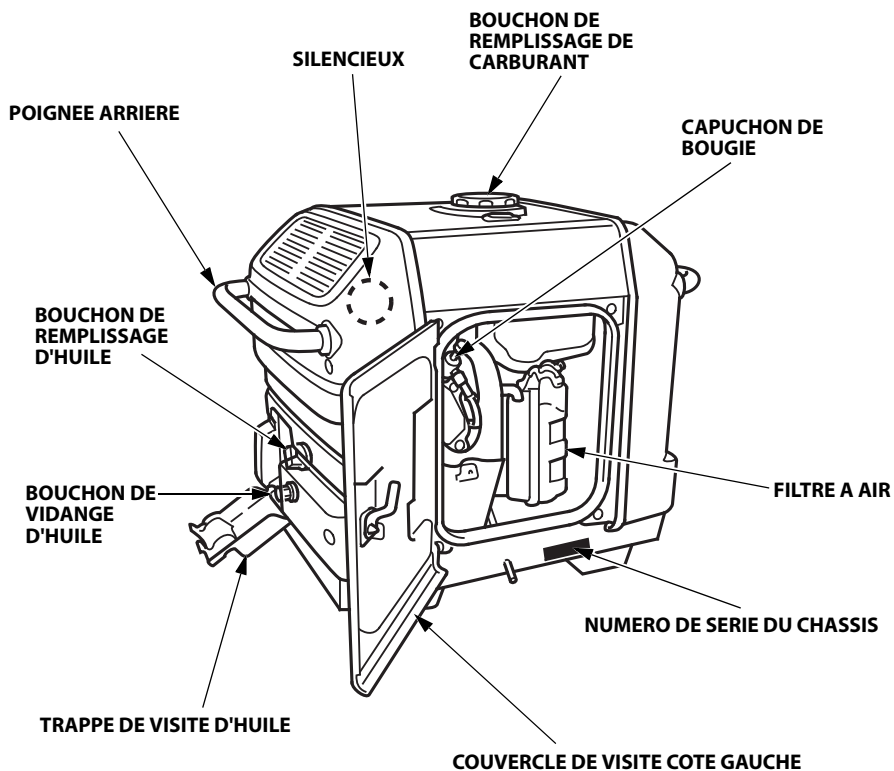


#### REMARQUE :

Le groupe électrogène peut devenir instable si les quatre roues ne reposent pas fermement sur le sol. Avant l'utilisation, s'assurer que les quatre roues reposent bien sur le sol.



Relever le levier de butée et glisser la butée dans le sens de la flèche afin que la butée entre dans l'orifice de la roue, puis baisser le levier de butée. S'assurer que la roue est verrouillée.

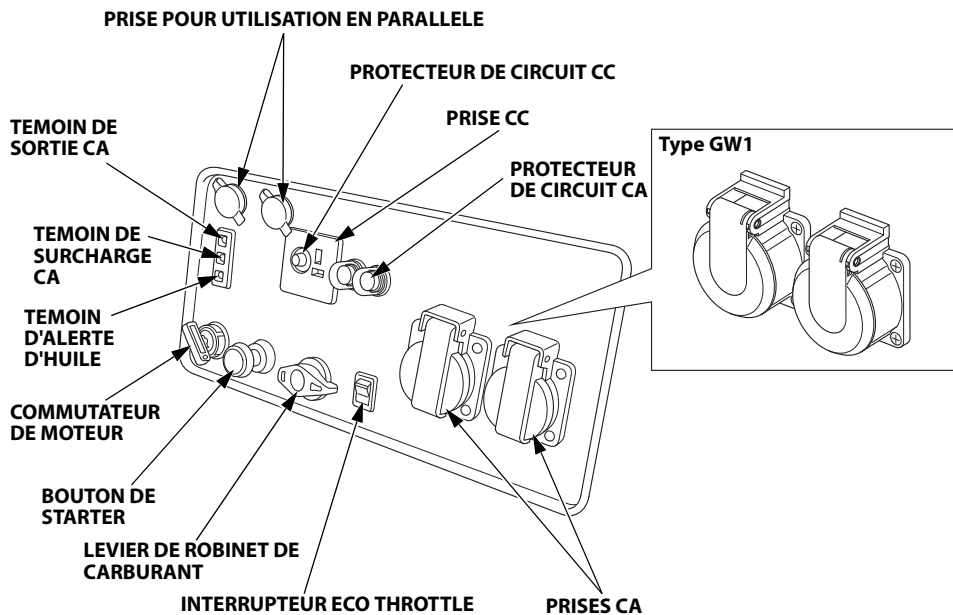


Noter le numéro de série du châssis dans l'espace ci-dessous. Ce numéro de série est indispensable pour la commande de pièces.

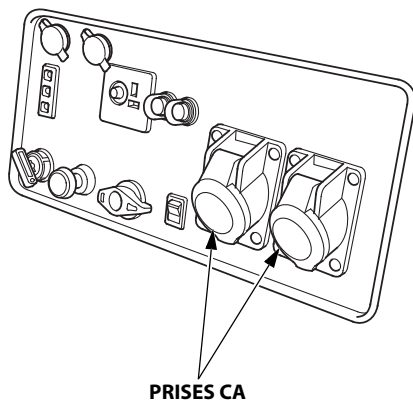
Numéro de série du châssis : \_\_\_\_\_

# PANNEAU DE COMMANDE

## Types F, G, GW1



## Type B



---

## Eco Throttle

### ON (Activé) :

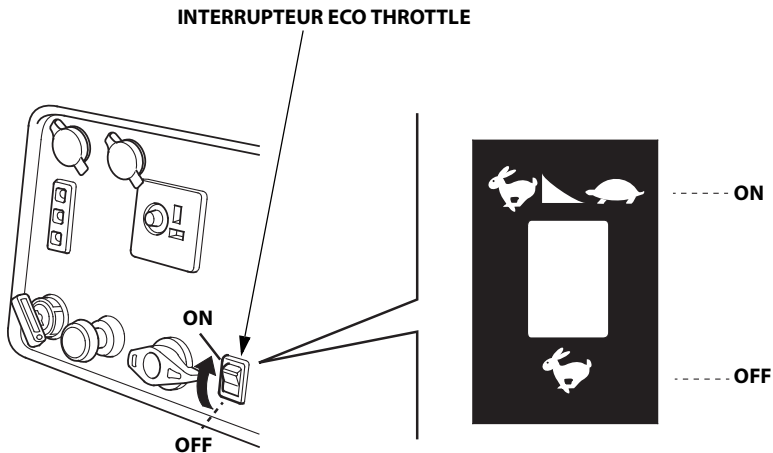
Le régime moteur est automatiquement laissé au ralenti lorsque l'appareil électrique est déconnecté, et il revient à la bonne vitesse avec la charge électrique lorsque l'appareil électrique est connecté. Cette position est recommandée pour réduire la consommation de carburant au minimum pendant l'utilisation.

### REMARQUE :

- Lorsque des appareils à charge électrique élevée sont branchés simultanément, placer l'interrupteur Eco Throttle sur OFF pour réduire les variations de tension.
- Le système Eco Throttle ne fonctionne pas suffisamment si l'appareil électrique nécessite une puissance électrique momentanée.

### OFF (désactivé) :

Le système Eco Throttle ne fonctionne pas. Le régime du moteur est maintenu dans la plage de régime moteur (avec Eco Throttle à l'arrêt) à la page "CARACTERISTIQUES".



## 4. CONTROLE AVANT UTILISATION

### Clé de recharge

Votre groupe électrogène est fourni avec deux clés. Détacher la clé de recharge en coupant l'étiquette en plastique, puis ranger la clé dans un endroit sûr.

### ATTENTION :

**Contrôler le groupe électrogène sur un sol horizontal avec le moteur arrêté.**

Avant chaque utilisation, regarder autour du moteur et au-dessous afin de déceler tout signe de fuite d'huile ou d'essence.

1. Vérifier le niveau d'huile moteur.

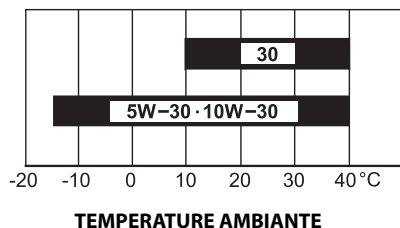
### ATTENTION :

**L'utilisation d'une huile moteur non détergente ou 2 temps peut raccourcir la durée de service de moteur.**

### Huile préconisée

Utiliser une huile moteur 4 temps répondant au minimum aux prescriptions pour la catégorie de service API SE ou ultérieure (ou équivalente). Toujours vérifier l'étiquette de service API sur le bidon d'huile pour s'assurer qu'elle porte bien la mention SE ou ultérieure (ou équivalente).

Avant l'utilisation, lire attentivement les instructions figurant sur le bidon d'huile.



L'indice SAE 10W-30 est préconisé pour un usage général. Les autres viscosités indiquées dans le tableau peuvent être utilisées lorsque la température moyenne du lieu d'utilisation se trouve dans la plage indiquée. Spécifications d'huile de lubrification nécessaires pour garder un système de contrôle des émissions performant : huile d'origine Honda.



Couper le moteur et placer l'appareil de niveau pour vérifier le niveau d'huile moteur.

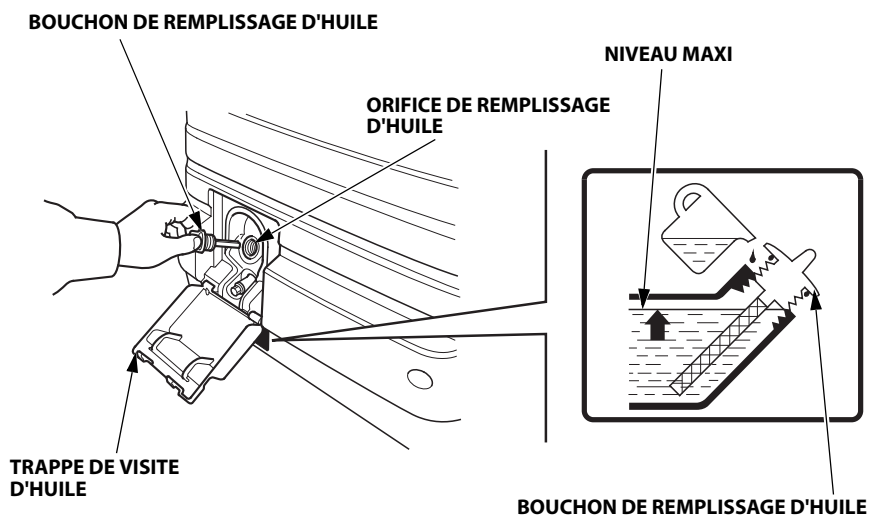
1. Ouvrir la trappe de visite d'huile.
2. Déposer le bouchon de remplissage d'huile.
3. Contrôler le niveau d'huile. Si le niveau est plus bas que le niveau maxi, faire l'appoint d'huile recommandée (voir page 15) jusqu'au repère de niveau maxi.
4. Reposer et serrer fermement le bouchon de remplissage d'huile.

**ATTENTION :**

**Si le moteur était utilisé sans qu'il y ait suffisamment d'huile, il risquerait d'être sérieusement endommagé.**

**REMARQUE :**

Le système d'alerte d'huile arrête automatiquement le moteur avant que le niveau d'huile ne tombe au-dessous de la limite de sécurité. Toutefois, afin d'éviter les désagréments d'un arrêt imprévu, il est conseillé de contrôler visuellement le niveau d'huile régulièrement.



2. Vérifier le niveau de carburant.

Vérifier la jauge de niveau de carburant. Si le niveau de carburant est bas, remplir le réservoir de carburant.

Après avoir fait l'appoint, serrer à fond le bouchon de dispositif de remplissage d'essence.

## Carburant recommande

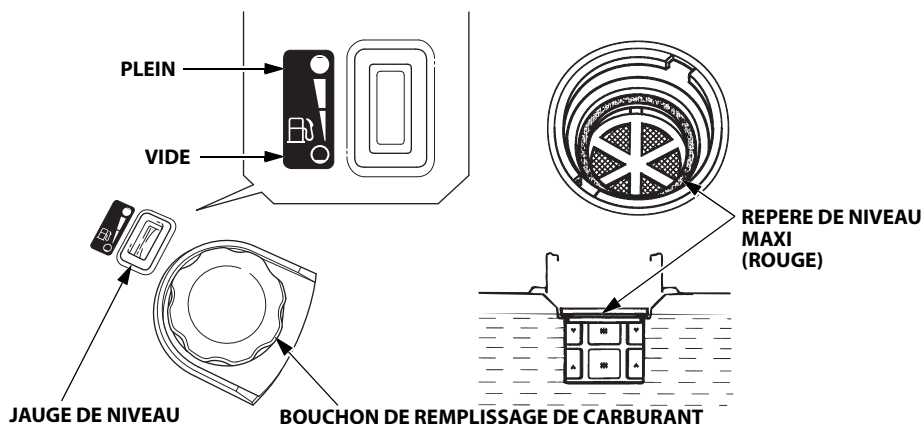
Essence sans plomb
Indice d'octane recherche 91 ou plus
Indice d'octane pompe 86 ou plus

Ce moteur est certifié pour fonctionner avec de l'essence sans plomb ayant un indice d'octane pompe d'au moins 86 (ou un indice d'octane recherche d'au moins 91).

Spécification(s) de carburant nécessaires pour garder un système de contrôle des émissions performant : carburant E10 référencé dans la réglementation UE. Ne jamais utiliser de l'essence qui est éventée, contaminée ou mélangée à de l'huile. Eviter toute pénétration de saleté ou d'eau dans le réservoir de carburant.

### ▲ AVERTISSEMENT

- **L'essence est hautement inflammable et peut exploser dans certaines conditions.**
- **Faire le plein dans un endroit bien aéré, le moteur arrêté. Ne pas fumer ou approcher de flammes vives ou d'étincelles près du lieu où plein est effectué et près du lieu de stockage de l'essence.**
- **Ne pas trop remplir le réservoir de carburant (le carburant ne doit pas dépasser le repère de niveau maximum). Après avoir refait le plein, s'assurer que le bouchon de remplissage de carburant est correctement et solidement fermé.**
- **Faire attention à ne pas renverser d'essence pendant le remplissage du réservoir. Des vapeurs d'essence ou de l'essence renversée peuvent s'enflammer. Avant de mettre le moteur en marche, s'assurer que l'essence renversée a séché et que les vapeurs sont dissipées.**
- **Eviter le contact direct de l'essence sur la peau ou de respirer les vapeurs. TENIR HORS DE PORTEE DES ENFANTS.**



---

#### REMARQUE :

L'essence se dégrade très rapidement sous l'effet de facteurs tels qu'exposition à la lumière, la température et le temps.

Au pire des cas, l'essence peut être contaminée en moins de 30 jours.

L'utilisation d'essence contaminée peut endommager sérieusement le moteur (obstruction du carburateur, grippage des soupapes).

Les dommages dus au carburant dégradé ne sont pas couverts par la garantie.

Pour éviter ceci, observer rigoureusement ces recommandations :

- N'utiliser que l'essence spécifiée (voir page 16).
- Utiliser de l'essence fraîche et propre.
- Pour ralentir la dégradation, conserver l'essence dans un récipient de carburant certifié.
- Avant un long remisage (plus de 30 jours), vidanger le réservoir de carburant et le carburateur.

#### **Essences contenant de l'alcool**

En cas d'utilisation d'essence contenant de l'alcool (essence-alcool), vérifier que son indice d'octane est au moins aussi élevé que celui recommandé par Honda. Il existe deux types d'"essence-alcool" : l'une contenant de l'éthanol, l'autre contenant du méthanol.

Ne pas utiliser une essence-alcool contenant plus de 10 % d'éthanol.

Ne pas utiliser une essence contenant plus de 5 % de méthanol (alcool méthylique ou alcool de bois) ou une essence contenant du méthanol, à moins qu'elle ne contienne également des cosolvants et des inhibiteurs de corrosion pour méthanol.

#### REMARQUE :

- Les dommages du système d'alimentation en carburant ou les problèmes de performances du moteur résultant de l'utilisation d'une essence contenant plus d'alcool que ce qui est recommandé ne sont pas couverts par la garantie.
- Avant de se ravitailler dans une station-service que l'on connaît mal, essayer de savoir si l'essence contient de l'alcool, quel est le type d'alcool utilisé et dans quel pourcentage.

Si l'on constate des anomalies de fonctionnement lors de l'utilisation d'une essence particulière, revenir à une essence que l'on sait ne pas contenir plus d'alcool que la quantité recommandée.

### 3. Contrôler le filtre à air.

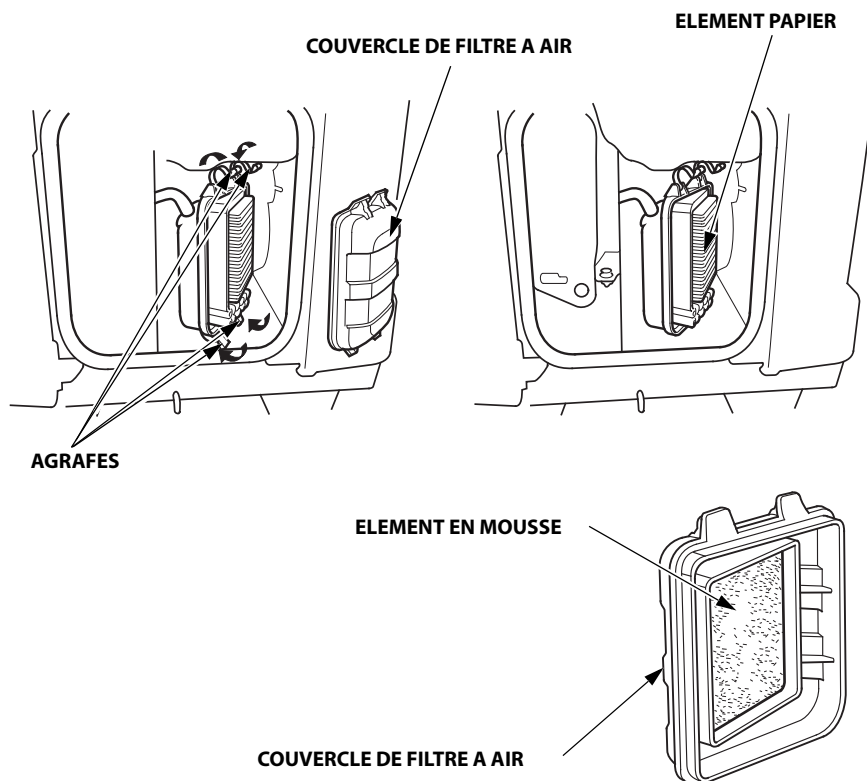
Vérifier les éléments du filtre à air pour s'assurer qu'ils sont bien propres et en bon état.

Ouvrir la trappe de visite gauche. Débloquer les quatre agrafes, déposer le couvercle de filtre à air, déposer l'élément en mousse du couvercle de filtre à air, et vérifier les deux éléments.

Nettoyer ou remplacer l'élément(s) si nécessaire (voir page 45).

#### **ATTENTION :**

**Ne jamais faire fonctionner le moteur sans l'élément de filtre à air. Des impuretés telles que poussière et saleté aspirées dans le moteur à travers le carburateur entraîneraient une usure rapide du moteur.**



## 5. MISE EN MARCHÉ DU MOTEUR

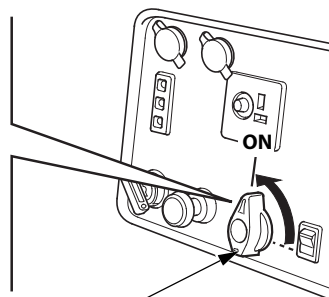
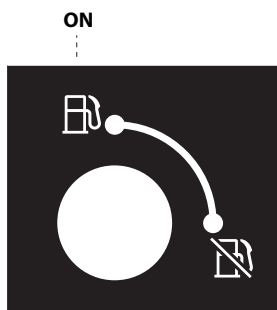
### Démarrage électrique

#### ATTENTION :

Lors du démarrage du groupe électrogène après avoir fait l'appoint pour la première fois après un long remisage, ou après avoir manqué d'essence, tourner le levier de robinet d'essence vers la position ON (ouvert), puis attendre 10 à 20 secondes avant de mettre en marche le moteur.

Avant de mettre en marche le moteur, déconnecter toute charge de la prise secteur.

1. Placer le levier du robinet de carburant sur la position d'ouverture ON.

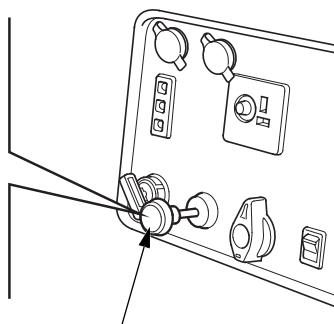


LEVIER DE ROBINET DE CARBURANT

2. Sortir le bouton de starter vers la position CLOSED (fermé).

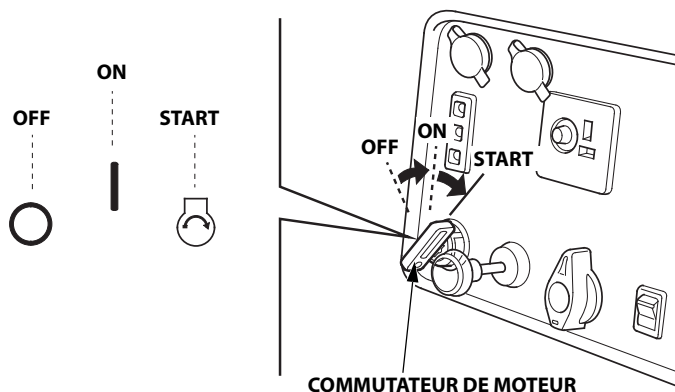
#### REMARQUE :

Ne pas utiliser le starter lorsque le moteur est chaud ou la température de l'air élevée.



BOUTON DE STARTER

3. Placer l'interrupteur du moteur sur START et le maintenir sur cette position jusqu'à ce que le moteur démarre.



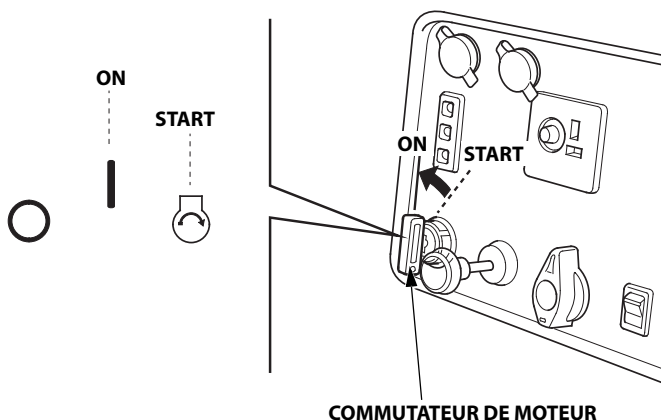
**ATTENTION :**

**Ne pas utiliser le démarreur pendant plus de 5 secondes. Si le moteur ne démarre pas, relâcher la clé, et attendre au moins 10 secondes avant d'actionner à nouveau le démarreur électrique.**

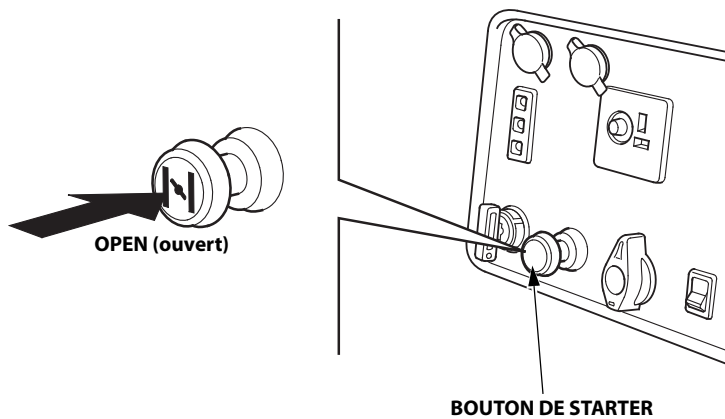
**REMARQUE :**

Lorsque la vitesse du démarreur diminue après un certain temps, c'est le signe que la batterie doit être rechargée.

4. Après le démarrage du moteur, laisser l'interrupteur du moteur revenir sur ON.



- 
5. Pousser le bouton du starter vers la position "OPEN" (ouvert) dès que le moteur chauffe.



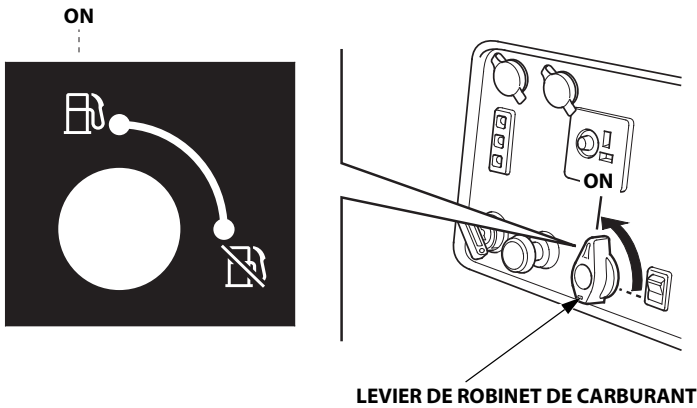
## Démarrage manuel

### ATTENTION :

Lors du démarrage du groupe électrogène après avoir fait l'appoint pour la première fois après un long remisage, ou après avoir manqué d'essence, tourner le levier de robinet d'essence vers la position ON (ouvert), puis attendre 10 à 20 secondes avant de mettre en marche le moteur.

Avant de mettre en marche le moteur, déconnecter toute charge de la prise secteur.

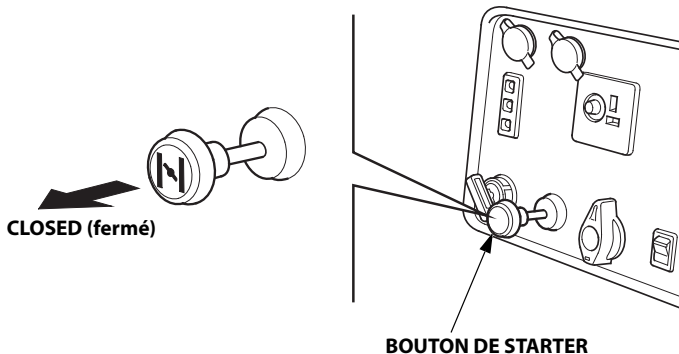
1. Placer le levier du robinet de carburant sur la position d'ouverture ON.



2. Sortir le bouton de starter vers la position CLOSED (fermé).

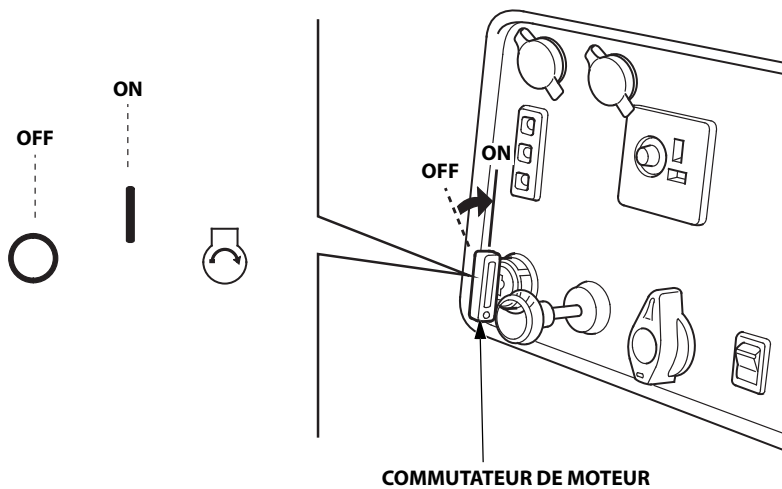
### REMARQUE :

Ne pas utiliser le starter lorsque le moteur est chaud ou la température de l'air élevée.





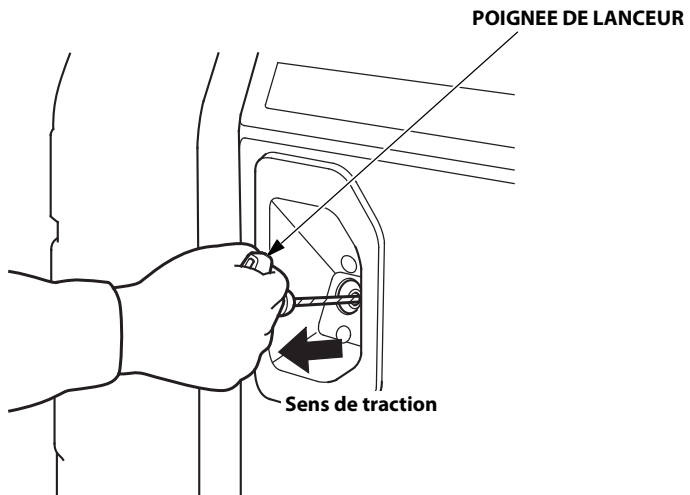
3. Placer le commutateur du moteur sur la position ON (Marche).



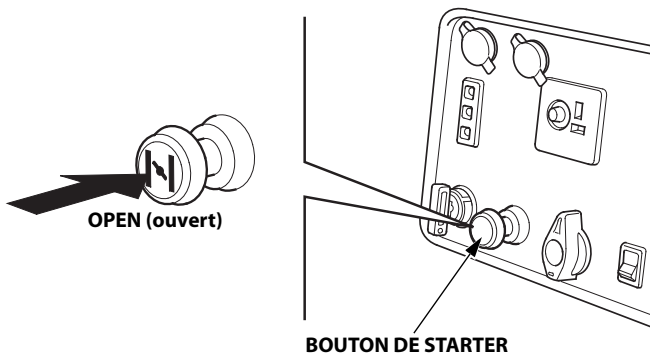
- 
4. Tirer doucement la poignée de lanceur jusqu'à ressentir une résistance, puis la tirer d'un coup sec dans le sens de la flèche comme sur la figure ci-dessous.

**ATTENTION :**

- **Il se peut que la poignée de lanceur revienne en arrière très rapidement avant d'être lâchée. Ceci peut tirer avec force votre main vers le moteur et provoquer des blessures.**
- **Ne pas laisser la poignée de lanceur revenir brusquement. La ramener lentement à la main.**
- **Ne pas laisser la corde du lanceur frotter contre le corps du groupe électrogène car elle s'userait prématurément.**



5. Pousser le bouton du starter vers la position "OPEN" (ouvert) dès que le moteur chauffe.



---

## • Utilisation à haute altitude

A haute altitude, le mélange standard air-carburant du carburateur est trop riche. Les performances diminuent et la consommation augmente.

Il est possible d'améliorer les performances à haute altitude par des modifications spécifiques du carburateur. Si l'on utilise toujours le groupe électrogène à des altitudes supérieures à 610 mètres au-dessus du niveau de la mer, demander au concessionnaire d'entretien d'effectuer ces modifications du carburateur.

Même avec un jet de carburateur approprié, la puissance du moteur diminue d'environ 3,5 % pour chaque augmentation d'altitude de 300 mètres. L'effet de l'altitude sur la puissance est plus grande que si aucune modification de carburateur n'est effectuée.

### **ATTENTION :**

**Les performances du groupe électrogène sont amoindries s'il est utilisé à une altitude inférieure à celle pour laquelle l'alimentation du carburateur a été réglée ; le moteur chauffe et est endommagé par un mélange stoechiométrique trop riche.**

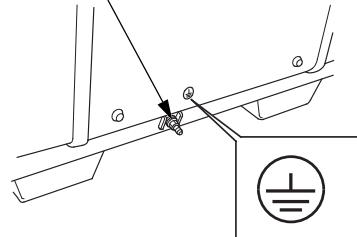
## 6. UTILISATION DU GROUPE

Le groupe électrogène produit une puissance électrique suffisamment importante pour provoquer un choc électrique grave ou une électrocution s'il est mal utilisé.

Si l'appareil branché est relié à la terre, mettre également le groupe électrogène à la terre.

Pour la mise à la masse de la borne du groupe électrogène, utiliser un fil en cuivre d'un diamètre égal ou supérieur au cordon d' l'appareil branché.

BORNE DE MASSE



REPERE DE TERRE

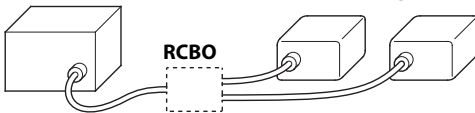
Utiliser un cordon prolongateur avec fil de terre lors du branchement d'un appareil avec fil de terre.

Pour identifier la broche de terre dans la fiche, voir PRISE, page 63.

Connecter un RCBO (coupe-circuit différentiel résiduel avec protection contre les surintensités) de 30 mA de détection de fuite à la terre et coupure en moins de 0,4 seconde à plus de 30 A de courant de sortie si l'on utilise deux appareils ou plus.

Suivre les instructions fournies par chaque fabricant de RCBO avant l'utilisation.

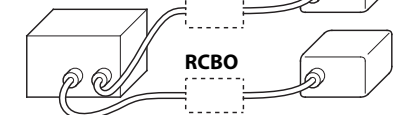
GROUPE ELECTROGENE



Raccordement avec un RCBO

APPAREILS

GROUPE ELECTROGENE



Raccordement avec deux RCBO

### ⚠ AVERTISSEMENT

**Un raccordement incorrect au système électrique d'un bâtiment peut permettre le retour du courant du groupe électrogène dans le réseau public.**

**Un tel retour du courant peut provoquer l'électrocution du personnel de la compagnie d'électricité ou de toute autre personne touchant les lignes électriques pendant une panne de courant. De plus, le groupe électrogène risque d'exploser, de brûler ou de provoquer un incendie lors du rétablissement du courant.**

**Avant d'effectuer des raccordements électriques, consulter la compagnie d'électricité ou un électricien qualifié.**

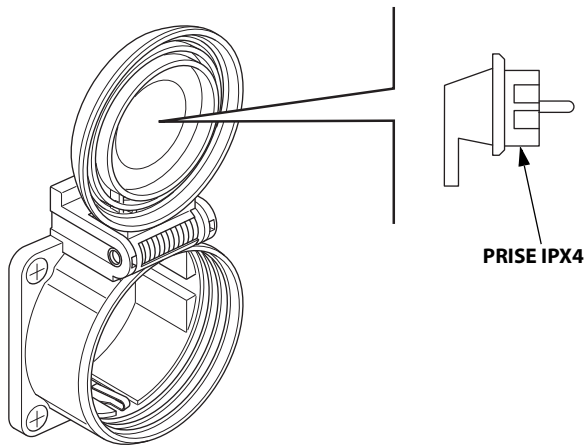
## ATTENTION :

- Ne pas dépasser la limite d'intensité spécifiée pour chaque prise.
- Ne pas modifier le groupe électrogène et ne pas l'utiliser à d'autres fins que ce pour quoi il est prévu. Observer également les points suivants lors de l'utilisation du groupe électrogène.
- Ne pas connecter une rallonge au tuyau d'échappement.
- Lorsqu'il est nécessaire d'ajouter un câble prolongateur, utiliser un câble à gaine caoutchouc flexible et robuste (CEI 245 ou équivalent). Lors de l'utilisation d'une rallonge, la valeur de résistance ne doit pas dépasser  $1,5 \Omega$ .
- Longueur limite des câbles de rallonge: 60 m pour les câbles de  $1,5 \text{ mm}^2$  et 100 m pour les câbles de  $2,5 \text{ mm}^2$ . Des câbles prolongateurs trop longs réduisent la puissance utilisable car leur résistance est plus grande.
- Installer le groupe électrogène loin de tous câbles ou fils électriques, tels que les câbles d'alimentation du réseau d'électricité.

### ⚠ AVERTISSEMENT

#### Type GW1

Pour raccorder une prise à l'équerre, veiller à bien utiliser une prise IPX4.



---

REMARQUE :

- La plupart des moteurs des appareils exigent une puissance supérieure à la puissance nominale lors du démarrage. S'assurer que les caractéristiques électriques nominales de l'outil ou de l'appareil ne dépassent pas la puissance nominale maximale du groupe électrogène.

La puissance maximale est de : 3,0 kVA

- Pour une utilisation en continu, ne pas dépasser la puissance nominale.

La puissance nominale est de : 2,8 kVA

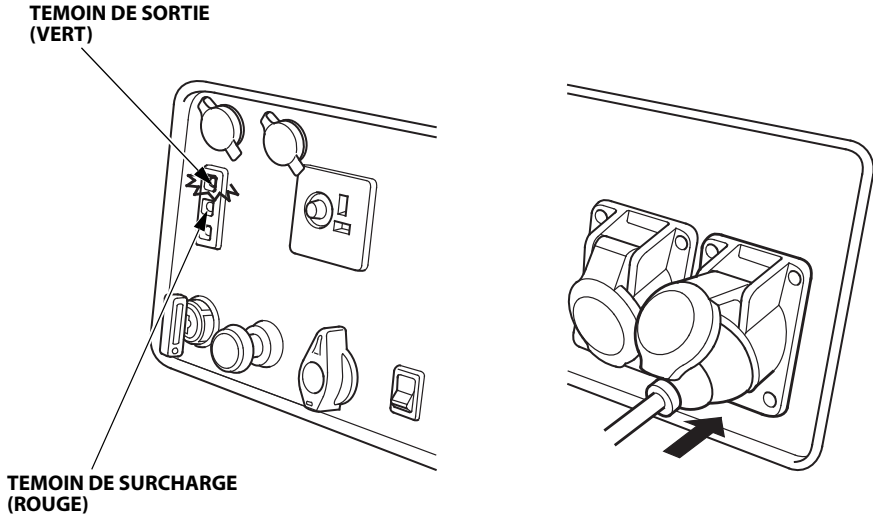
- Dans les deux cas, la puissance totale requise (VA) de tous les appareils branchés doit être prise en compte.

- La prise CC peut être utilisée alors que l'alimentation secteur est utilisée. Si l'on utilise les deux en même temps, ne pas dépasser la puissance CA maximale.

Puissance CA maximale : 2,65 kVA

## Applications CA

1. Mettre le moteur en marche et s'assurer que le témoin de sortie (vert) s'allume.
2. Confirmer que l'appareil à utiliser est hors tension, et brancher l'appareil.



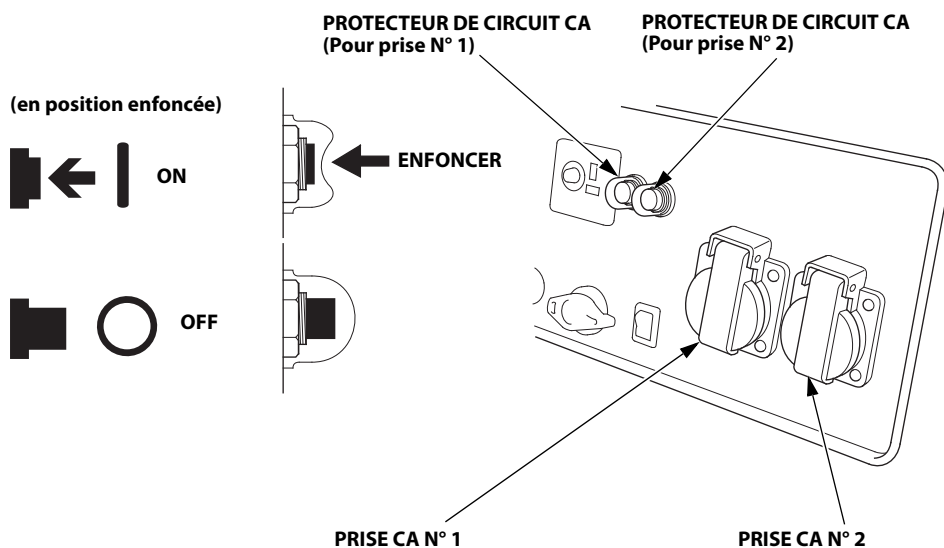
### ATTENTION :

- Une surcharge importante qui fait continuellement s'allumer le témoin de surcharge (rouge) peut endommager le groupe électrogène. Une surcharge marginale qui fait s'allumer temporairement le témoin de surcharge (rouge) peut raccourcir la durée de service du groupe électrogène.
- S'assurer que tous les appareils sont en bon état de fonctionnement avant de les brancher au groupe électrogène. Le matériel électrique (y compris les connexions des câbles et fiches) ne doit pas être défectueux. Si un appareil se met à fonctionner anormalement, s'il fonctionne paresseusement ou s'arrête brusquement, placer immédiatement le commutateur de moteur du groupe électrogène sur arrêt. Débrancher ensuite l'appareil et vérifier s'il ne présente pas des signes d'anomalie.

## Protecteur de circuit CA (Types B, F, G, GW1)

Le protecteur de circuit CA se déclenche automatiquement (son bouton sort) en cas de court-circuit ou de surcharge importante du groupe électrogène à une prise.

Si un protecteur de circuit CA se déclenche automatiquement, s'assurer avant de le réenclencher (en enfonçant son bouton) que l'appareil branché fonctionne correctement et ne dépasse pas la capacité de charge nominale du circuit.





## Témoins de sortie et de surcharge

Le témoin de sortie (vert) reste allumé dans des conditions de fonctionnement normales.

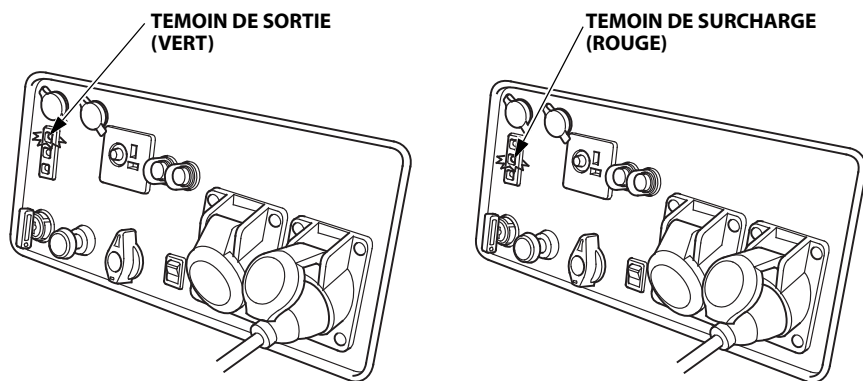
En cas de surcharge du groupe électrogène (voir page 29) ou de court-circuit de l'appareil branché, le témoin de sortie (vert) s'éteint, le témoin de surcharge (rouge) s'allume et le courant vers l'appareil branché est coupé.

Si le témoin de surcharge (rouge) s'allume, arrêter le moteur et rechercher la cause de la surcharge.

### REMARQUE :

Le témoin de surcharge (rouge) s'allume également dans les cas suivants :

- Lorsque l'inverseur est en surchauffe : le courant vers l'appareil connecté est arrêté. Vérifier si l'admission d'air est obstruée.
- Avant de connecter un appareil au groupe électrogène, vérifier s'il est en bon état et si son indice électrique ne dépasse pas celui du groupe électrogène. Connecter ensuite le câble d'alimentation de l'appareil et mettre le moteur en marche.



### REMARQUE :

Lorsqu'un moteur électrique démarre, il se peut que le témoin de surcharge (rouge) et le témoin de sortie (vert) s'allument tous deux simultanément. Ceci est normal si le témoin de surcharge (rouge) s'éteint après environ cinq (5) secondes. Si le témoin de surcharge (rouge) reste allumé, consulter le concessionnaire de groupes électrogènes Honda.

---

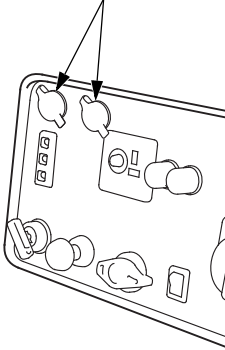
## Utilisation en parallèle

Lire la section "UTILISATION DU GROUPE" avant de connecter tout équipement à utiliser.

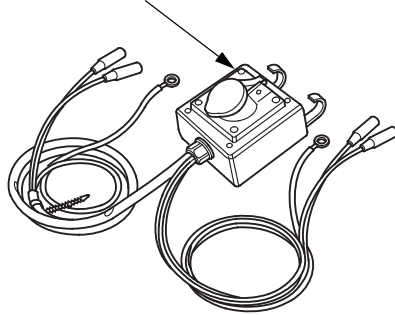
N'utiliser qu'un câble/prise spécial pour utilisation en parallèle (vendu séparément).

### Types G, GW1, B, F

PRISE POUR UTILISATION EN PARALLELE



CABLE/PRISE SPECIALE POUR UTILISATION EN PARALLELE (VENDU SEPAREMENT)



- 
- La plupart des moteurs des équipements branchés exigent une puissance supérieure à la puissance nominale lors du démarrage. S'assurer que les caractéristiques électriques nominales de l'outil ou de l'appareil ne dépassent pas la puissance nominale maximale du groupe électrogène.  
La puissance maximum en fonctionnement en parallèle est : 6,0 kVA
  - Pour une utilisation en continu, ne pas dépasser la puissance nominale.  
La puissance nominale en fonctionnement en parallèle est : 5,6 kVA
  - Dans les deux cas, la puissance totale requise (VA) de tous les appareils branchés doit être prise en compte.

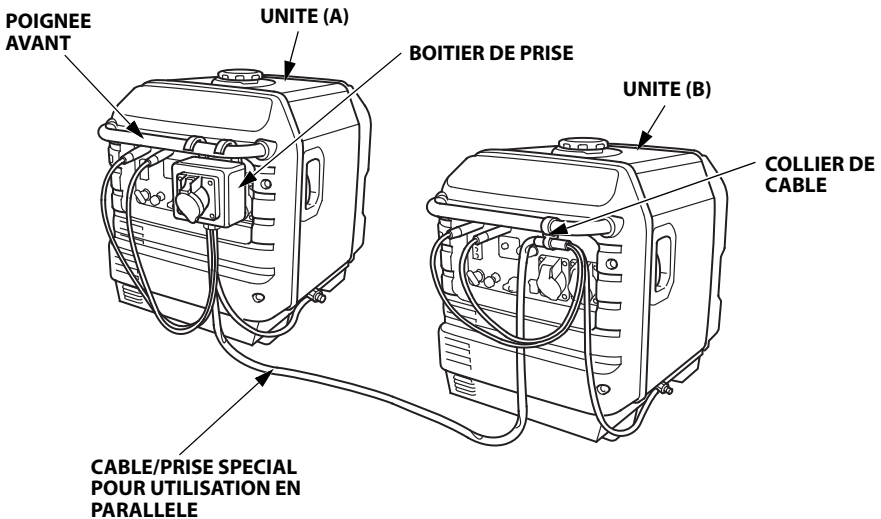
#### **ATTENTION :**

**Une surcharge importante qui fait continuellement s'allumer le témoin de surcharge (rouge) peut endommager le groupe électrogène. Une surcharge marginale qui fait s'allumer temporairement le témoin de surcharge (rouge) peut raccourcir la durée de service du groupe électrogène.**

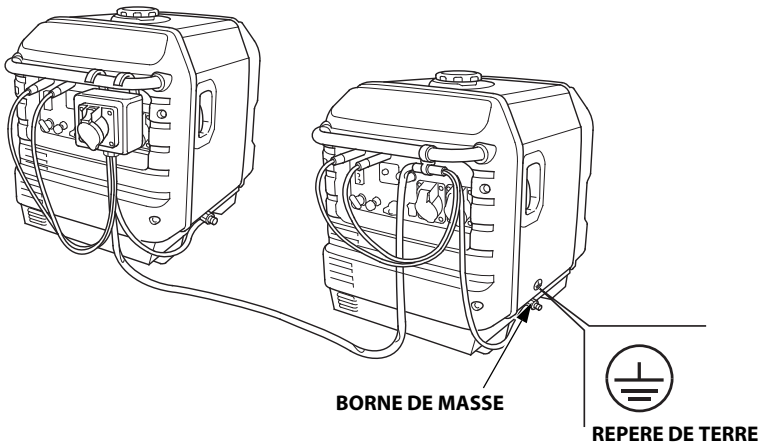
#### **▲ AVERTISSEMENT**

- **Ne jamais raccorder des modèles et types de groupes électrogènes différents.**
- **Ne jamais connecter un câble autre que le câble/prise spécial pour utilisation en parallèle.**
- **Connecter et déposer le câble/prise spécial pour utilisation en parallèle avec le moteur arrêté.**
- **En fonctionnement simple, le câble/prise spécial pour utilisation parallèle doit être déposé.**

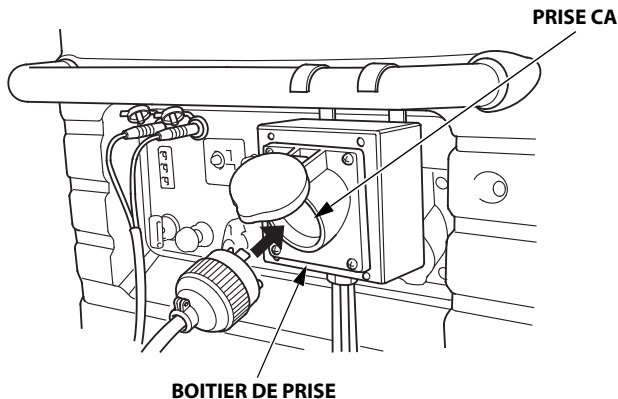
1. Accrocher le boîtier à prise du câble spécial/prise sur le tuyau de manche avant de l'appareil (A) ou (B), et le câble plus long du câble spécial/prise au tuyau de manche avant de l'autre appareil avec la courroie à câble.
2. Connecter le câble/prise spécial pour utilisation en parallèle aux deux groupes électrogènes.
  - **Lors d'un fonctionnement en parallèle, placer les deux groupes électrogènes à au moins 1 mètre l'un de l'autre.**
  - **Ne pas laisser de mou dans le fil du côté de la poignée de lanceur.**
  - **Brancher le fil le plus long au groupe électrogène sur lequel n'est pas installé le câble/prise spécial pour fonctionnement en parallèle.**
  - **Ne pas installer les groupes électrogènes avec leurs côtés d'échappement tournés l'une vers l'autre.**



3. Ne pas manquer de mettre le groupe électrogène à la terre quand l'équipement connecté est mis à la terre.



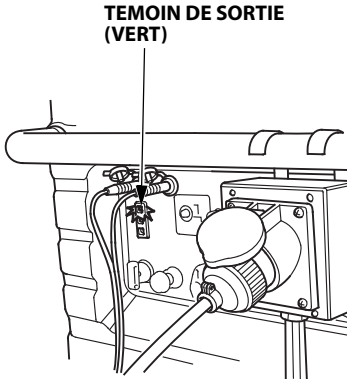
4. Démarrer chaque moteur conformément à la section "DEMARRAGE DU MOTEUR".
- Lorsque le témoin de sortie (vert) ne s'allume pas et que le témoin de surcharge (rouge) s'allume à la place, placer le commutateur du moteur sur OFF, arrêter le moteur, puis le remettre en marche.
5. S'assurer que l'équipement à utiliser est hors tension et insérer la fiche de l'équipement dans la prise CA du boîtier de prise de courant.



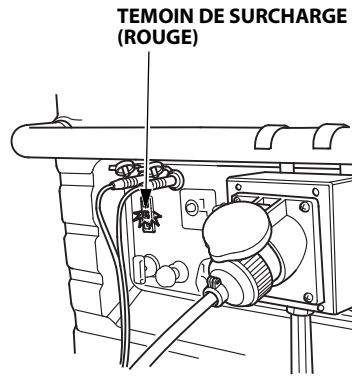
**ATTENTION :**  
**Confirmer que l'équipement utilisé à connecter est hors tension.**  
**Lorsque l'équipement à utiliser est mis sous tension, il s'active soudainement et des blessures ou accidents peuvent en résulter.**

6. Mettre l'équipement utilisé sous tension.  
Le témoin de sortie (vert) s'allume.

**En fonctionnement normal**



**En cas de surcharge ou de court-circuit**



- En cas de surcharge (voir page 32) ou d'anomalie de l'équipement utilisé, le témoin de sortie (vert) s'éteint, le témoin de surcharge (rouge) s'allume en continu et aucun courant n'est généré.  
A ce moment, le moteur ne s'arrête pas. Ainsi, le moteur doit être arrêté en plaçant le commutateur de moteur respectif sur la position "OFF" (arrêt).

**REMARQUE :**

- Le témoin de surcharge (rouge) s'allume également dans les cas suivants :  
Lorsque l'inverseur est en surchauffe : le courant vers l'appareil connecté est arrêté. Vérifier si l'admission d'air est obstruée.
  - Lorsqu'un équipement nécessitant une grande puissance de démarrage tel qu'un moteur est utilisé, il se peut que le témoin de surcharge (rouge) et le témoin de sortie (vert) s'allument ensemble pendant une courte durée (4 s environ). Ceci n'est pas une anomalie. Après le démarrage de l'équipement, le témoin de surcharge (rouge) s'éteint tandis que le témoin de sortie (vert) reste allumé.
  - Lorsqu'un groupe électrogène doit être arrêté après le démarrage de l'équipement, le câble/prise spécial pour fonctionnement en parallèle doit également être retiré au même moment.
7. Lorsque du courant électrique doit de nouveau être tiré du groupe électrogène, couper l'équipement devant être utilisé, puis débrancher la fiche de la prise secteur. S'assurer que le connexion et l'équipement soient normaux, et qu'il n'y ait pas trop d'énergie de consommée, puis redémarrer le moteur.

## Applications CC

La prise CC peut être utilisée pour charger des batteries automobiles de 12 volts seulement.

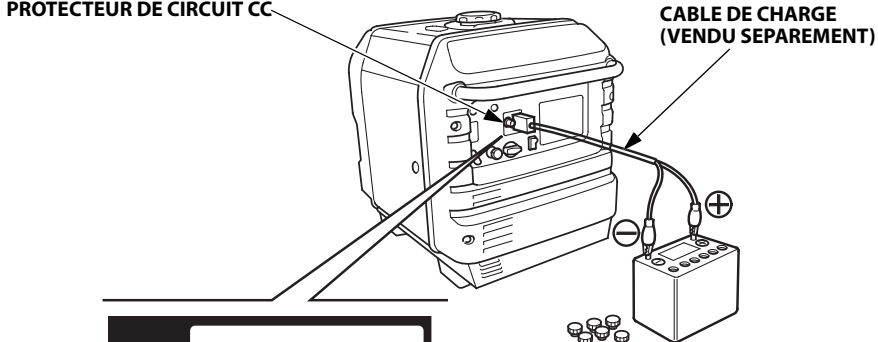
### REMARQUE :

Lors d'une utilisation CC, placer l'interrupteur Eco Throttle sur la position OFF.

1. Connecter les câbles de charge à la prise CC du groupe électrogène, puis aux bornes de batterie.

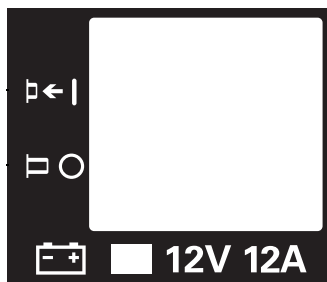
PROTECTEUR DE CIRCUIT CC

CABLE DE CHARGE  
(VENDU SEPARÉMENT)



ON - - - - - ▢ ◀ |

OFF - - - - - ▢ ○



---

#### **▲ AVERTISSEMENT**

- Pour éviter la possibilité d'étincelle à proximité de la batterie, connecter en premier le câble de charge au groupe électrogène, puis à la batterie. Commencer par déconnecter le câble au niveau de la batterie.
- Avant de connecter le câble de charge à une batterie installée sur un véhicule, déconnecter le câble de batterie du véhicule. Reconnecter le câble de la batterie du véhicule une fois que les câbles de charge ont été enlevés. Le fait de procéder de cette manière élimine toute possibilité de court-circuit et de formation d'étincelles en cas de contact accidentel entre une borne de la batterie et le châssis ou la carrosserie du véhicule.

#### **ATTENTION :**

- Ne pas essayer de faire démarrer le moteur d'une automobile tant que le groupe électrogène est connecté à sa batterie. Ceci pourrait endommager le groupe électrogène.
- Connecter la borne positive de la batterie au câble de charge positif. Ne pas inverser les câbles de charge, car cela pourrait endommager gravement le groupe électrogène et/ou la batterie.

#### **▲ AVERTISSEMENT**

- Les batteries dégagent des gaz explosifs. S'ils s'enflamment, une explosion peut provoquer de graves brûlures de la peau ou des yeux. Assurer une ventilation adéquate lors de la mise en charge.
- **PRODUIT CHIMIQUE DANGEREUX** : L'électrolyte de batterie contient de l'acide sulfurique. Un contact avec les yeux ou la peau, même à travers un vêtement, peut provoquer de graves brûlures. Porter un masque facial et des vêtements de protection.
- Ne pas approcher de flammes et d'étincelles et ne pas fumer dans la zone de travail.  
**ANTIDOTE** : Si de l'électrolyte rentre dans les yeux, rincer à fond avec de l'eau chaude pendant au moins 15 minutes et consulter immédiatement un médecin.
- **POISON** : L'électrolyte est un poison.  
**ANTIDOTE**
  - Externe : Rincer abondamment à l'eau.
  - Interne : Boire de grandes quantités d'eau ou de lait, puis de la magnésie hydratée ou de l'huile végétale et consulter immédiatement un médecin.
- **TENIR HORS DE PORTEE DES ENFANTS.**



---

## 2. Démarrer le moteur.

### REMARQUE :

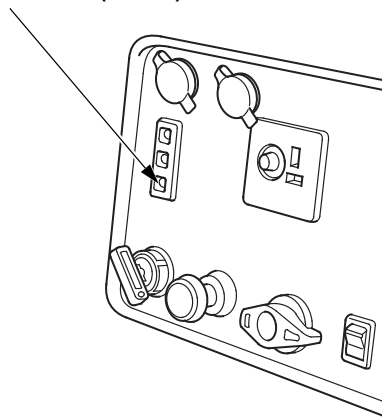
- La prise CC peut être utilisée alors que l'alimentation secteur est utilisée.
- En cas de surcharge du circuit CC, son dispositif de protection se déclenche automatiquement (bouton sorti).  
Dans ce cas, attendre quelques minutes avant de réenfoncer le bouton pour remettre le groupe en marche.

## Système d'alerte d'huile

Le système Oil Alert protège le moteur contre les dommages dus au manque d'huile dans le carter moteur. Avant que le niveau d'huile du carter moteur ne tombe en-deçà d'une limite sûre, le système d'alerte d'huile arrête automatiquement le moteur (le commutateur de moteur reste en position "ON" (marche)).

Si le système d'alerte d'huile arrête le moteur, le témoin d'alerte d'huile (rouge) s'allume lorsqu'on actionne le démarreur, et le moteur ne tourne pas. Dans un tel cas, faire l'appoint d'huile moteur (voir page 16).

**TEMOIN D'ALERTE D'HUILE (ROUGE)**

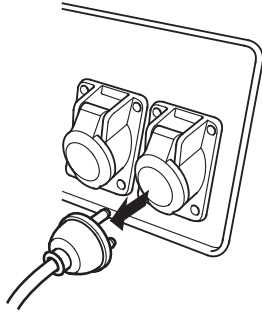


## 7. ARRÊT DU MOTEUR

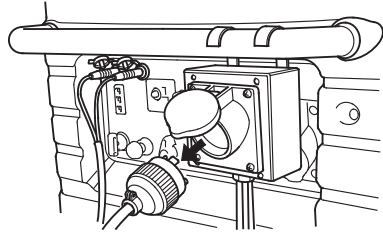
Pour arrêter le moteur en cas d'urgence, tourner le commutateur du moteur vers la position "OFF" (arrêt).

### EN USAGE NORMAL :

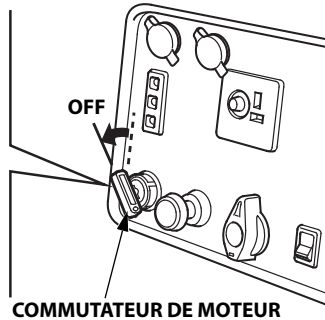
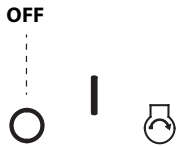
1. Mettre l'équipement connecté hors tension, et tirer la fiche insérée.



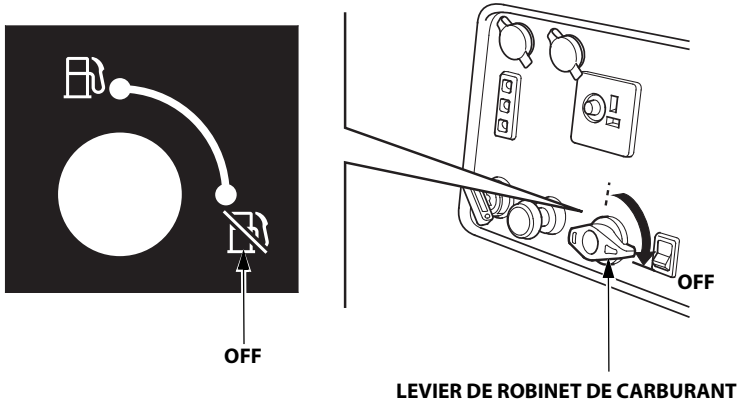
Pour une utilisation en parallèle



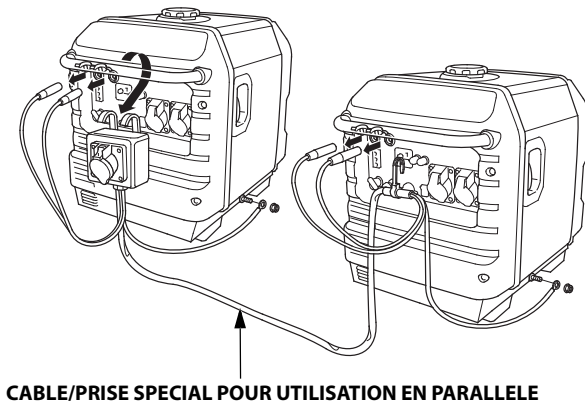
2. Mettre le commutateur de moteur sur la position OFF.



3. Tourner le levier du robinet de carburant sur la position OFF.



4. Lorsque le fonctionnement en parallèle a été exécuté, déposer le câble/prise spécial pour utilisation en parallèle.



Le programme d'entretien et de réglage est destiné à maintenir le groupe électrogène dans des conditions de fonctionnement optimales. Effectuer les opérations de contrôle et d'entretien comme prévu dans le tableau ci-dessous.

### ▲ AVERTISSEMENT

**Avant de commencer un entretien ou une réparation, s'assurer que le moteur est arrêté. Ceci éliminera plusieurs risques potentiels :**

- **Empoisonnement par le monoxyde de carbone présent dans les gaz d'échappement. Avant de faire tourner le moteur, toujours s'assurer que l'aération est suffisante.**
- **Brûlures provoquées par des pièces à haute température. Attendre que le moteur et le système d'échappement soient froids avant de les toucher.**
- **Blessures par pièces mobiles. Ne faire tourner le moteur que si cela est indiqué dans le manuel.**

**Le silencieux devient très chaud pendant le fonctionnement et reste chaud pendant un moment après l'arrêt du moteur. Faire attention à ne pas toucher le silencieux lorsqu'il est chaud. Attendre que le moteur se soit refroidi avant toute intervention.**

### ATTENTION :

**Utiliser des pièces d'origine Honda ou leurs équivalents. Des pièces de rechange de qualité non équivalente peuvent endommager le groupe électrogène.**

### Programme d'entretien

PÉRIODICITÉ D'ENTRETIEN (3)		A chaque utilisation	Premier mois ou 20 h	Tous les 3 mois ou 50 h	Tous les 6 mois ou 100 h	Tous les ans ou 300 h	Page	
Huile moteur	Contrôler le niveau	o					15	
	Remplacer		o		o		44	
Filtre à air	Contrôler	o					45	
	Nettoyer			o (1)				
	Remplacer					o*		
Coupelle de décantation	Nettoyer				o		47	
Bougie d'allumage	Contrôler-régler				o		49	
	Remplacer					o		
Jeu aux soupapes	Contrôler-régler					o (2)	-	
Chambre de combustion	Nettoyer	Toutes les 500 h (2)						-
Réservoir de carburant et filtre	Nettoyer					o (2)	-	
Tuyau de carburant	Contrôler	Tous les 2 ans (remplacer si nécessaire) (2)						-

REMARQUE : \* Remplacer l'élément en papier seulement.

- (1) Faire un entretien plus fréquent en cas d'utilisation dans un milieu poussiéreux.
- (2) Confier l'entretien de ces points au concessionnaire réparateur à moins de disposer des outils appropriés et d'avoir les compétences requises en mécanique. Se reporter au Manuel d'atelier Honda pour les procédures d'entretien.
- (3) Pour une utilisation commerciale, consigner le nombre d'heures de fonctionnement afin de déterminer la périodicité d'entretien appropriée.

## 1. REMPLACEMENT DE L'HUILE

Vidanger l'huile lorsque le moteur est chaud afin de garantir une vidange rapide et complète.

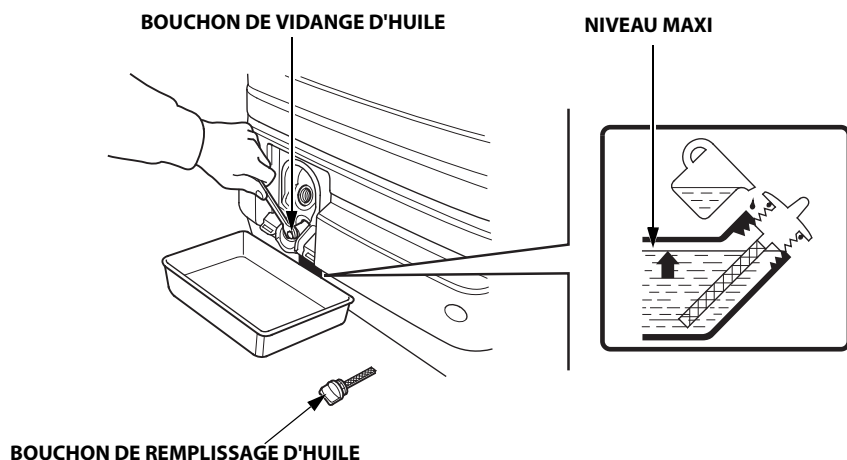
1. Ouvrir et déposer la trappe de visite d'huile.
2. Déposer le bouchon du dispositif de remplissage d'huile et le bouchon de vidange d'huile pour vidanger l'huile.
3. Mettre le bouchon de vidange d'huile et le serrer à fond.

**COUPLE DE SERRAGE :** 18,0 N·m (1,8 kgf·m)

4. Faire l'appoint avec l'huile recommandée jusqu'au repère de niveau maxi (voir page 15).

**Contenance en huile moteur :** 0,55 litre

5. Reposer, fermer et verrouiller la trappe de visite d'huile.



Se laver les mains avec de l'eau et du savon après avoir manipulé l'huile usagée.

### REMARQUE :

Se débarrasser de l'huile moteur usagée d'une manière compatible avec l'environnement. Nous conseillons de la porter dans un récipient fermé à une station-service locale pour son recyclage. Ne pas la jeter à la décharge ou la vider sur le sol.

## 2. ENTRETIEN DU FILTRE A AIR

Un filtre à air encrassé limite l'alimentation en air du carburateur. Afin de prévenir tout dysfonctionnement du carburateur, procéder régulièrement à l'entretien du filtre à air. Entretien plus fréquent si le groupe électrogène est utilisé en zones extrêmement poussiéreuses.

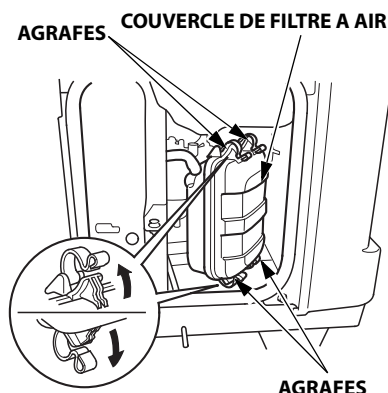
### ⚠ AVERTISSEMENT

**Ne pas utiliser d'essence ou de solvants à faible point d'éclair pour le nettoyage. Ces produits sont inflammables et peuvent exploser sous certaines conditions.**

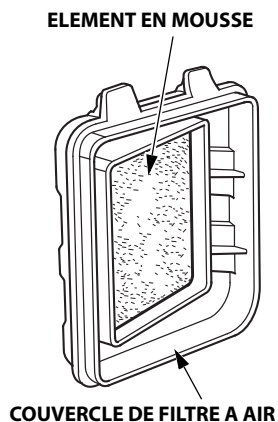
### ATTENTION :

**Ne jamais utiliser le groupe électrogène sans filtre à air, au risque d'entraîner une usure prématurée du moteur.**

1. Ouvrir la trappe de visite gauche.
2. Débloquer les agrafes, déposer le couvercle de filtre à air.



3. Élément en mousse :
  - a. Déposer l'élément en mousse du couvercle de filtre à air.
  - b. Laver l'élément dans une solution de détergent ménager et d'eau chaude, puis bien rincer ou laver dans un solvant non inflammable ou à point d'éclair élevé. Laisser complètement sécher l'élément en mousse.



c. Tremper l'élément dans de l'huile moteur propre et en exprimer l'huile en excès. Le moteur fumera lors du démarrage initial si trop d'huile est restée dans l'élément en mousse.

d. Reposer l'élément en mousse au couvercle de filtre à air.

Nettoyer

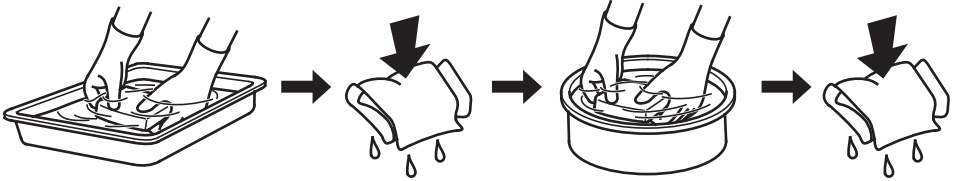
Essorer et sécher

Immerger dans l'huile

Essorer

Ne pas tordre.

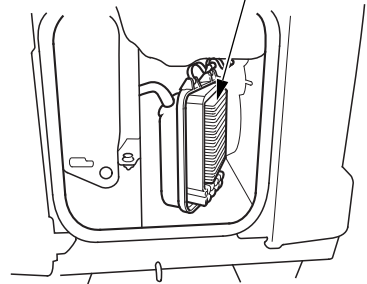
Ne pas tordre.



#### 4. Élément en papier :

Si l'élément en papier est sale, le remplacer par un neuf. Ne pas nettoyer l'élément en papier.

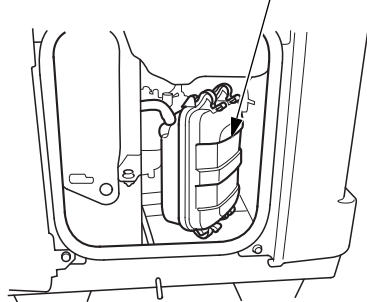
ELEMENT PAPIER



COUVERCLE DE FILTRE A AIR

5. Reposer le couvercle de filtre à air.

6. Fermer et verrouiller la trappe de visite gauche.



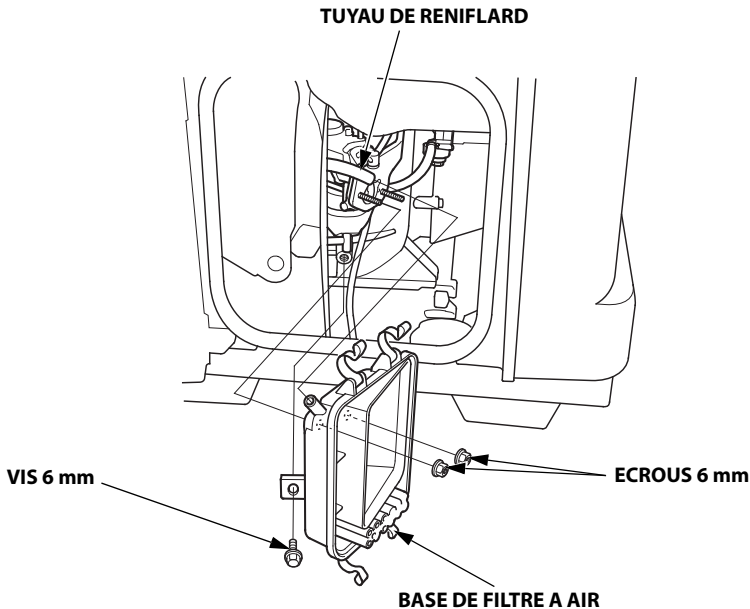
### 3. ENTRETIEN DE LA COUPELLE DE DECANTATION

#### ▲ AVERTISSEMENT

**L'essence est hautement inflammable et peut exploser dans certaines conditions. Ne pas fumer et ne pas permettre de flammes ou d'étincelles près du chariot mécanique.**

La coupelle de décantation empêche la saleté ou l'eau pouvant se trouver dans le réservoir de carburant de pénétrer dans le carburateur. Si le moteur est resté longtemps inutilisé, le filtre doit être nettoyé.

1. Mettre le commutateur du moteur sur la position d'arrêt OFF.
2. Tourner le levier du robinet de carburant sur la position OFF.
3. Ouvrir la trappe de visite gauche.
4. Déposer le couvercle du filtre à air et l'élément en papier (voir pages 45 et 46).
5. Déconnecter le tuyau de reniflard de la base de filtre à air.
6. Déposer la vis de 6 mm et deux écrous de 6 mm, et déposer la base de filtre à air.



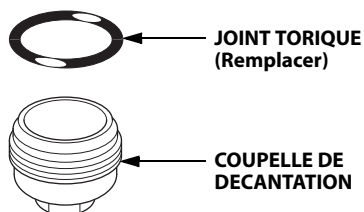


7. Déposer la coupelle de décantation en la faisant tourner dans le sens inverse des aiguilles d'une montre.
8. Nettoyer la coupelle de décantation dans un solvant non inflammable ou à point d'éclair élevé.
9. Poser un joint torique neuf et reposer la coupelle de décantation.
10. Tourner le robinet de carburant sur la position ON et vérifier qu'il n'y a pas de fuites.

**▲ AVERTISSEMENT**

**Après avoir reposé la coupelle de décantation, veiller à la serrer fermement. Vérifier s'il y a des fuites d'essence, et assurer que la zone est sèche avant de mettre le moteur en marche.**

11. Reposer la base de filtre à air, et connecter le tuyau de reniflard avec la base de filtre à air.
12. Reposer l'élément en papier et le couvercle de filtre à air.
13. Fermer et verrouiller la trappe de visite gauche.



## 4. ENTRETIEN DE LA BOUGIE

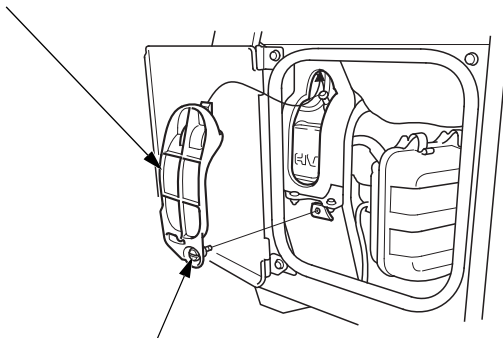
### BOUGIE RECOMMANDEE :

BPR6ES (NGK), W20EPR-U (DENSO)

Pour assurer un bon fonctionnement du moteur, l'écartement des électrodes de la bougie doit être correct et il ne doit pas y avoir des traces de dépôts.

1. Ouvrir la trappe de visite gauche.
2. Desserrer la vis de couvercle et déposer le cache de contrôle de bougie d'allumage.

CACHE DE CONTROLE DE BOUGIE

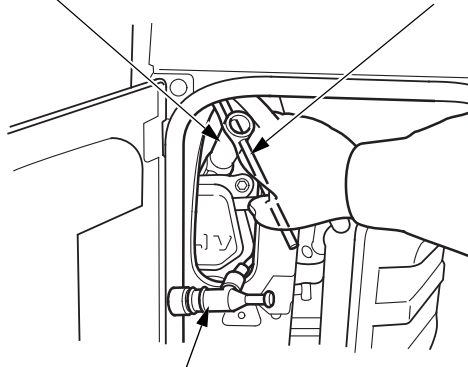


VIS DE COUVERCLE

3. Déposer l'antiparasite de bougie.
4. Nettoyer toute saleté accumulée autour du culot de la bougie.
5. Utiliser un clé à bougie pour déposer la bougie d'allumage.

CLE A BOUGIE

BARRE DE CLE



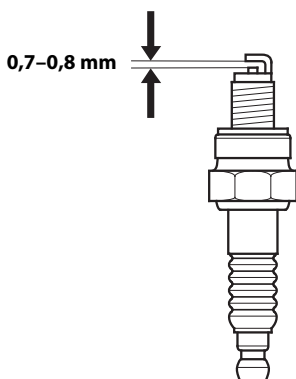
CAPUCHON DE BOUGIE

6. Contrôler visuellement l'état de la bougie. La mettre au rebut si son isolant est fendillé, écaillé ou encrassé. Nettoyer la bougie avec une brosse métallique si elle doit être réutilisée.
7. Mesurer l'écartement des électrodes avec une jauge d'épaisseur. Le corriger si nécessaire en recourbant avec soin l'électrode latérale.

**L'écartement des électrodes doit être de :**

0,7–0,8 mm

**ECARTEMENT DES ELECTRODES**



8. Visser la bougie à la main pour empêcher la détérioration des filets.
9. Dans le cas d'une bougie neuve, après l'avoir mise en place à la main, la serrer d'un 1/2 tour à l'aide d'une clé pour comprimer la rondelle. Si elle est usagée, la serrer d'encore 1/8 à 1/4 de tour après qu'elle vient en butée.

**COUPLE DE SERRAGE :** 18,0 N·m (1,8 kgf·m)

10. Reposer le cache de contrôle de bougie et resserrer la vis de couvercle.
11. Fermer et verrouiller la trappe de visite gauche.

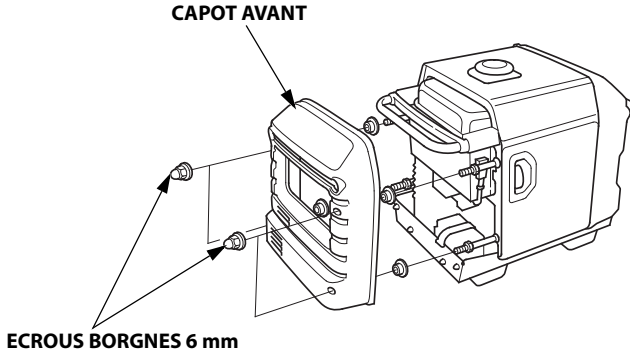
**ATTENTION :**

- **La bougie d'allumage doit être bien serrée. Si elle est mal serrée, elle risque de devenir très chaude, ce qui peut entraîner une détérioration du groupe électrogène.**
- **Ne pas utiliser une bougie d'allumage d'une plage thermique incorrecte.**

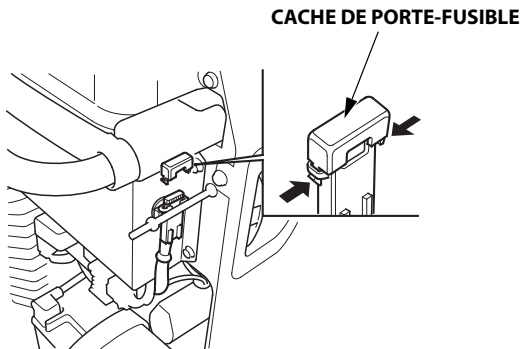
## 5. REMPLACEMENT DU FUSIBLE

Si le fusible a grillé, le démarreur électrique ne fonctionne pas tant qu'il n'est pas remplacé.

1. Mettre le commutateur de moteur sur la position OFF.
2. Déposer les quatre écrous borgnes de 6 mm et le capot avant.



3. Déposer le cache de porte-fusible et remplacer le fusible.  
Fusible spécifié : 5 A



### ATTENTION :

- Si le fusible saute fréquemment, trouver la cause et y remédier avant de tenter d'utiliser de nouveau le groupe électrogène.
- Ne jamais utiliser un fusible de calibre différent de celui qui est prescrit. Ceci pourrait causer d'importants dommages au système électrique ou un incendie.

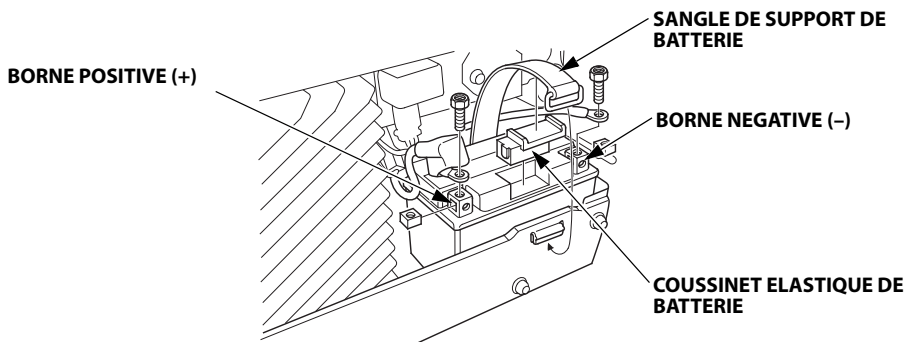
## 6. DEPOSE/POSE DE LA BATTERIE

### ⚠ AVERTISSEMENT

- Les batteries dégagent des gaz explosifs. S'ils s'enflamment, une explosion peut provoquer de graves brûlures de la peau ou des yeux. Assurer une ventilation adéquate lors de la mise en charge.
- **PRODUIT CHIMIQUE DANGEREUX** : L'électrolyte de batterie contient de l'acide sulfurique.  
Un contact avec les yeux ou la peau, même à travers un vêtement, peut provoquer de graves brûlures. Porter un masque facial et des vêtements de protection.
- Ne pas approcher de flammes et d'étincelles et ne pas fumer dans la zone de travail.  
**ANTIDOTE** : Si de l'électrolyte rentre dans les yeux, rincer à fond avec de l'eau chaude pendant au moins 15 minutes et consulter immédiatement un médecin.  
**POISON** : L'électrolyte est un poison.
- **ANTIDOTE**
  - Externe : Rincer abondamment à l'eau.
  - Interne : Boire de grandes quantités d'eau ou de lait, puis de la magnésie hydratée ou de l'huile végétale et consulter immédiatement un médecin.
- **TENIR HORS DE PORTEE DES ENFANTS.**

### Dépose :

1. Mettre le commutateur de moteur sur la position OFF.
2. Déposer les quatre écrous borgnes de 6 mm et le capot avant. (voir page 51)
3. Déposer la sangle de support de la batterie.
4. Commencer par débrancher le câble de batterie au niveau de la borne négative (-) de batterie, puis au niveau de la borne positive (+).



5. Déposer la batterie et le coussinet élastique de batterie du plateau de batterie.

---

**Pose :**

1. S'assurer que le commutateur du moteur est en position OFF.
2. Brancher le câble positif (+) à la borne positive (+) de la batterie puis le câble négatif (-) à la borne négative (-) de la batterie. Serrer fermement les vis et les écrous.
3. Installer le coussinet élastique de batterie et la sangle de support de batterie.
4. Poser le capot avant, puis mettre en place les quatre écrous borgnes de 6 mm.

**ATTENTION :**

**Lorsqu'on débranche le câble de batterie, veiller à débrancher la borne négative (-) en premier lieu. Pour le branchement, brancher la borne positive (+) en premier lieu, puis la borne négative (-). A cette occasion, ne jamais procéder dans l'ordre inverse, au risque de causer un court-circuit si un outil vient en contact avec les bornes.**



Ce symbole sur la batterie signifie que ce produit ne peut pas être traité comme ordures ménagères.

**REMARQUE :**

Une mise au rebut inappropriée de la batterie peut être néfaste pour l'environnement et la santé publique.

Toujours respecter la réglementation locale en vigueur pour la mise au rebut des batteries.

## 9. TRANSPORT/REMISAGE

Pour éviter de répandre l'essence lors du transport ou pendant un remisage provisoire, le groupe électrogène doit être maintenu à la verticale dans sa position d'utilisation normale, avec le commutateur de moteur en position OFF (arrêt).

Le levier du robinet d'essence doit être sur OFF.

### ⚠ AVERTISSEMENT

#### Transport du groupe électrogène :

- **Ne pas trop remplir le réservoir.**
- **Ne pas faire fonctionner le groupe électrogène lorsqu'il se trouve sur un véhicule. Descendre le groupe électrogène du véhicule et l'utiliser dans un endroit bien aéré.**
- **Eviter un endroit exposé aux rayons directs du soleil en mettant le groupe électrogène sur un véhicule. Si le groupe électrogène est laissé pendant de nombreuses heures dans un véhicule fermé, la température élevée à l'intérieur du véhicule peut faire se vaporiser l'essence, entraînant une possible explosion.**
- **Ne pas conduire sur une route accidentée pendant une période prolongée avec le groupe électrogène à bord. Si vous devez transporter le groupe électrogène sur une route accidentée, vidanger à l'avance l'essence du groupe électrogène.**

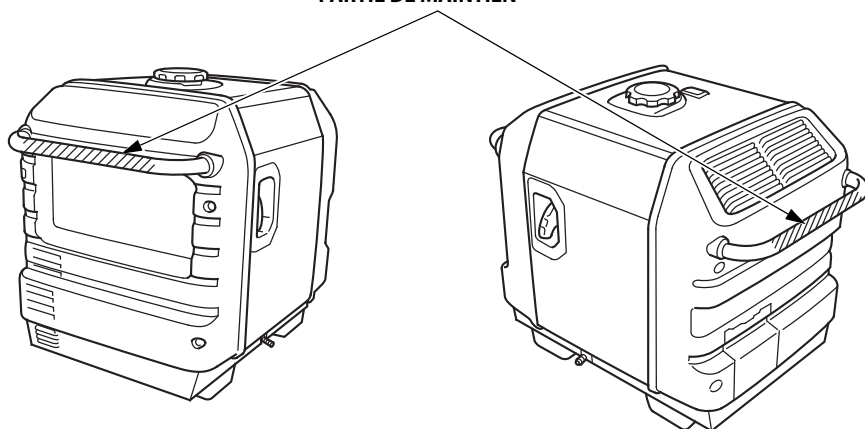
#### REMARQUE :

Pour soulever le groupe électrogène, le tenir par la partie de maintien (parties grisées sur la figure ci-dessous) avec des assistants.

Conformément à la NORME EUROPEENNE EN ISO 8528-13

*Il faut 4 personnes pour transporter ce groupe électrogène qui pèse environ 140 kg.*

#### PARTIE DE MAINTIEN



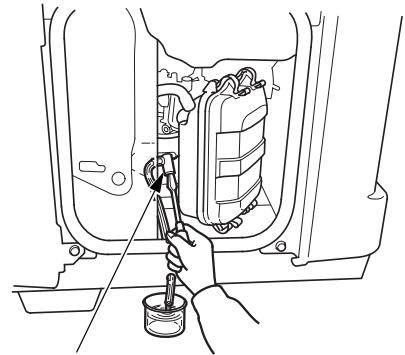
Avant de remiser l'appareil pendant une période prolongée :

1. S'assurer que le lieu de remisage n'est pas excessivement humide ou poussiéreux.
2. Vidanger le carburant.

**⚠ AVERTISSEMENT**

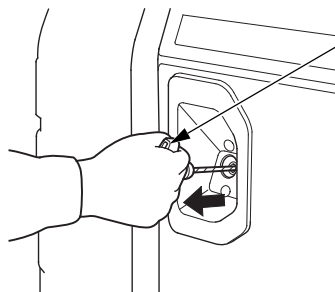
**L'essence est hautement inflammable et peut exploser dans certaines conditions. Effectuer la tâche dans une zone bien aérée avec le moteur arrêté. Ne pas fumer ni autoriser de flammes ou d'étincelles dans la zone pendant cette procédure.**

- a. Ouvrir la trappe de visite gauche.
- b. Tourner le levier de robinet d'essence vers la position "ON" (ouvert), puis desserrer la vis de vidange de carburateur. Vidanger l'essence du carburateur et du réservoir d'essence dans un bidon approprié.
- c. Resserrer la vis de vidange de carburateur, tourner le levier de robinet d'essence vers la position "OFF" (fermé), et fermer la trappe de visite gauche.



**VIS DE VIDANGE**

3. Une fois par mois, recharger la batterie.
4. Renouveler l'huile moteur.
5. Déposer la bougie d'allumage et verser une cuillerée d'huile moteur propre dans le cylindre. Lancer le moteur de plusieurs tours pour distribuer l'huile, puis reposer la bougie.
6. Tirer lentement sur la poignée de lanceur jusqu'à ce qu'une résistance soit perceptible. A ce moment-là, le piston se trouve sur sa course de compression et les soupapes d'admission et d'échappement sont toutes deux fermées. Le fait de remiser le moteur dans cet état contribue à le protéger contre la corrosion interne.

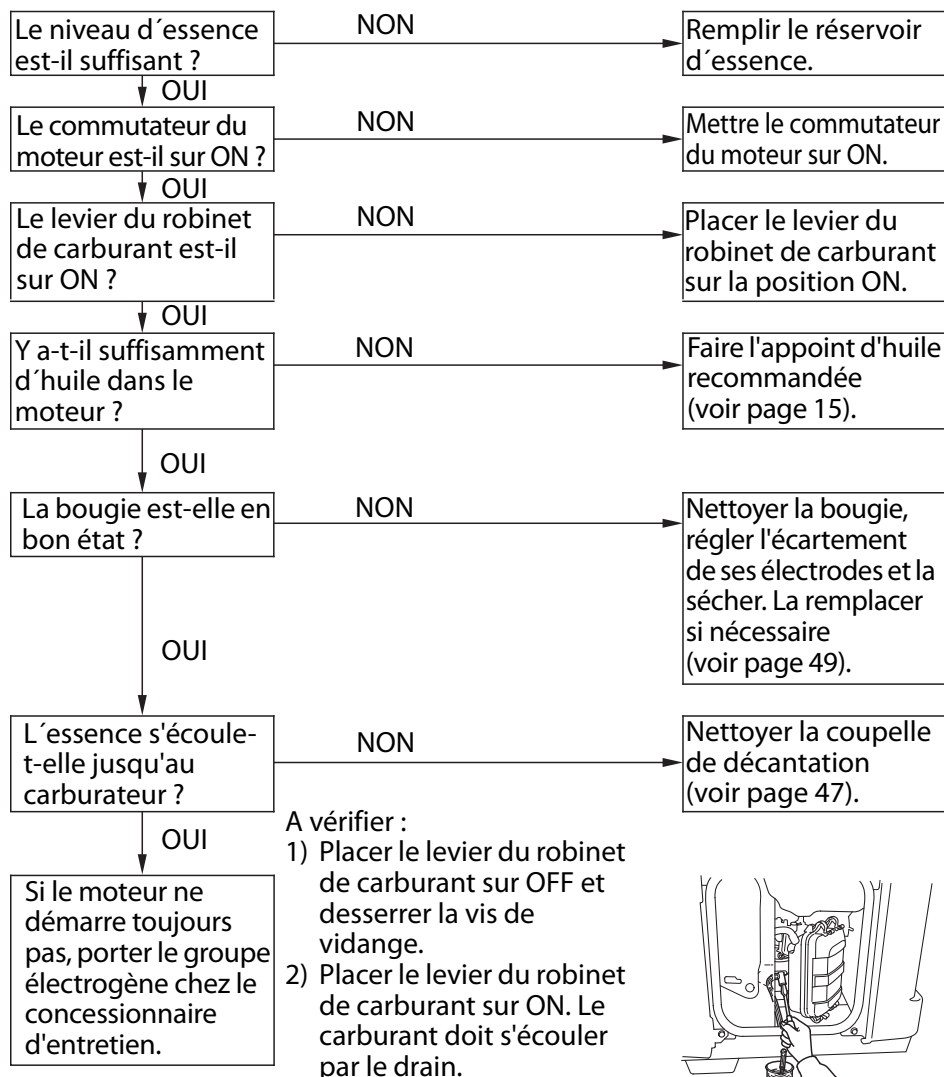


**POIGNEE DE LANCEUR**



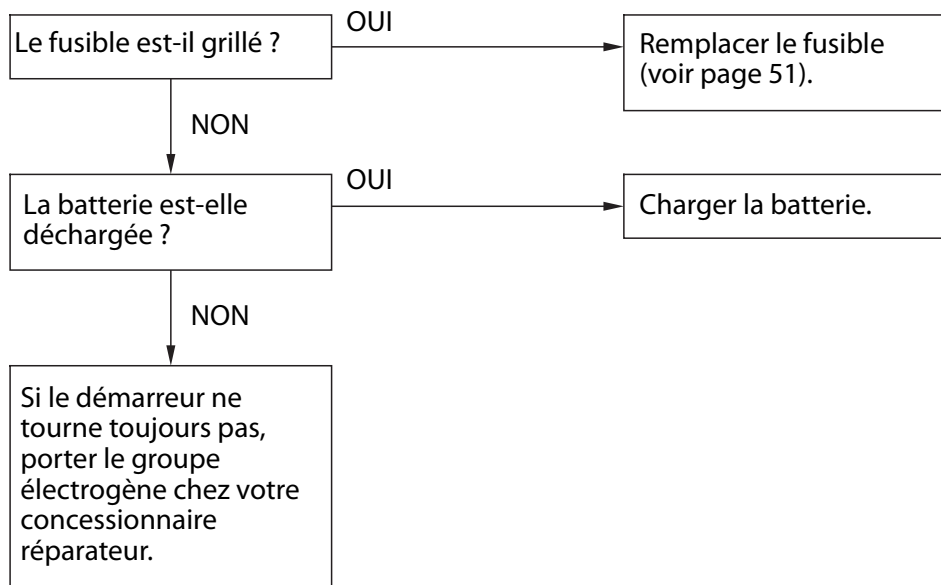
# 10. DEPANNAGE

Si le moteur ne démarre pas :

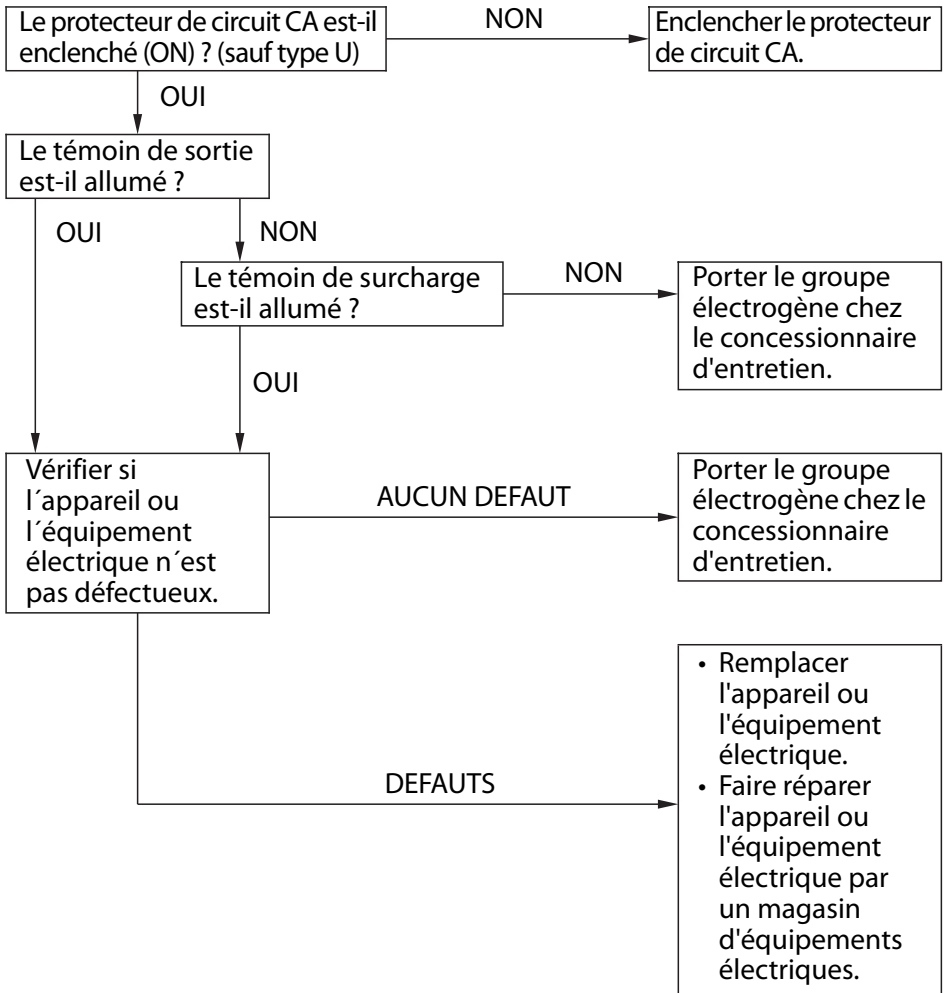


---

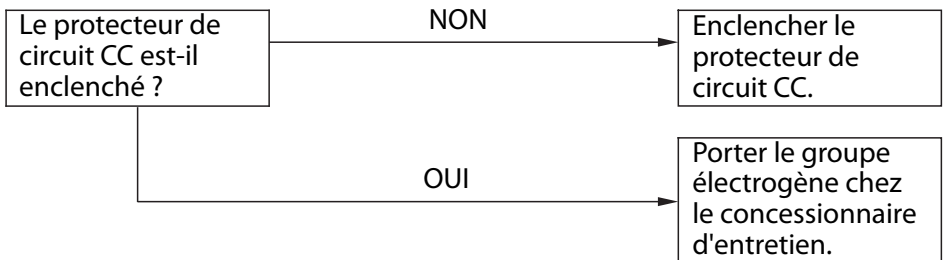
Le démarreur ne tourne pas :



L'appareil ne fonctionne pas :



Absence de courant à la prise CC :



# 11. CARACTERISTIQUES

## Dimension et poids

Modèle		EU30is1
Code de description		EZGF
Longueur	(Type à support fixe)	658 mm
	(Type à roues)	658 mm
Largeur	(Type à support fixe)	447 mm
	(Type à roues)	482 mm
Hauteur	(Type à support fixe)	558 mm
	(Type à roues)	570 mm
Masse à sec (poids)	(Type à support fixe)	59,0 kg
	(Type à roues)	61,2 kg

## Moteur

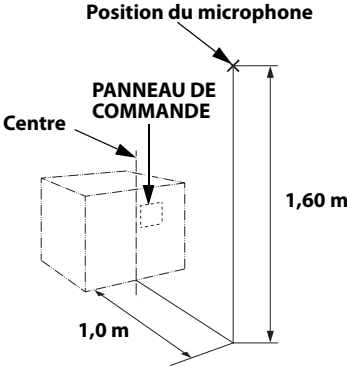
Modèle	GX200T2
Type de moteur	Monocylindre 4 temps à soupapes en tête
Cylindrée	196 cm <sup>3</sup>
Alésage×course	68,0×54,0 mm
Taux de compression	8,5 : 1
Régime moteur	2 500-3 800 min <sup>-1</sup> 3 500-3 800 min <sup>-1</sup> (Interrupteur Eco throttle en position OFF)
Refroidissement	Forcé par circulation d'air
Allumage	Electromagnétique transistoré
Contenance en huile	0,55 litre
Contenance du réservoir de carburant	13,0 litres
Bougie d'allumage	BPR6ES (NGK) W20EPR-U (DENSO)
Batterie	12 V 8,6 Ah/10 HR
Émissions de dioxyde de carbone (CO <sub>2</sub> )*	Se reporter à "Liste des informations CO <sub>2</sub> " sur <a href="http://www.honda-engines-eu.com/co2">www.honda-engines-eu.com/co2</a>

\* La mesure du CO<sub>2</sub> provient d'un test sur un cycle fixe sous des conditions en laboratoire d'un moteur (parent) représentant le type de moteur (famille de moteur) et n'impliquera ni ne sera la preuve de la garantie de la performance d'un moteur particulier.

## Génératrice

Modèle	EU30is1	
Type	F, G, GW1, B	
Sortie CA	Tension nominale (V)	230
	Fréquence nominale (Hz)	50
	Courant nominal (A)	12,2
	Puissance nominale (kVA)	2,8
	Puissance maxi. (kVA)	3,0
Sortie CC nominale	Uniquement pour batteries automobiles 12 V. 12 V, 12 A	

## Bruit

Modèle	EU30is1
Type	F, G, GW1, B
Niveau de pression acoustique au poste de travail (2006/42/CE)	74 dB (A) (avec interrupteur Eco-Throttle en position ON)
	
Incertitude	2 dB (A)
Niveau de puissance acoustique mesuré (2000/14/CE, 2005/88/CE)	89 dB (A) (avec interrupteur Eco-Throttle en position ON)
Incertitude	2 dB (A)
Niveau de puissance acoustique garanti (2000/14/CE, 2005/88/CE)	91 dB (A) (avec interrupteur Eco-Throttle en position ON)

"Les chiffres cités sont des niveaux d'émission et ne correspondent pas nécessairement à des niveaux sûrs pour le travail. Bien qu'une corrélation existe entre les niveaux d'émission et d'exposition, ceci ne peut pas être utilisé de manière fiable pour déterminer s'il convient ou non de prendre des précautions supplémentaires. Parmi les facteurs ayant une incidence sur le niveau réel d'exposition de la main-d'œuvre, on compte les caractéristiques du local de travail, les autres sources de bruit, etc. et notamment le nombre de machines et autres opérations voisines et la durée d'exposition au bruit de l'utilisateur. Il faut également noter que le niveau d'exposition autorisé diffère selon les pays. Ces informations permettront toutefois à l'utilisateur de la machine de mieux évaluer les dangers et risques".

### REMARQUE :

Les caractéristiques sont susceptibles d'être modifiées sans préavis.

## INDEX

(Voir à l'intérieur de la couverture arrière)

EU30is : Types G, GW1, B, F .....W-1

## ABREVIATIONS

<b>Symbole</b>	<b>Désignation</b>
ACCP	Protecteur de circuit CA
ACNF	Filtre antiparasite CA
ACOR	Prise de sortie CA
Bat	Batterie
ChW	Enroulement de charge
CPB	Bloc panneau de commande
CPG	Masse de panneau de commande
CSw	Commutateur combiné
DCCP	Protecteur de circuit CC
DCD	Diode CC
DCNF	Filtre antiparasite CC
DCOR	Prise de sortie CC
DCW	Enroulement CC
EcoSw	Interrupteur Eco Throttle
EgB	Bloc moteur
EgG	Masse de moteur
ESw	Commutateur du moteur
FB	Bloc châssis
FU	Fusible
GeB	Bloc génératrice
GT	Borne de masse
ICU	Unité de commande d'allumage
IgC	Bobine d'allumage
IU	Onduleur
MW	Enroulement principal
OAL	Témoin d'alerte d'huile
OI	Témoin de surcharge
OLSw	Contacteur de niveau d'huile

<b>Symbole</b>	<b>Désignation</b>
PL	Témoin de sortie
POR	Fonctionnement en parallèle Prise
Reg	Régulateur
SP	Bougie d'allumage
StM	Démarrreur
StpM	Moteur pas à pas
StR	Relais de démarrreur
SW	Enroulement secondaire

## CODE COULEUR DE FIL

Bl	NOIR
Y	JAUNE
Bu	BLEU
G	VERT
R	ROUGE
W	BLANC
Br	MARRON
Lg	VERT CLAIR
Gr	GRIS
Lb	BLEU CLAIR
O	ORANGE
P	ROSE

---

## CONNEXIONS DE COMMUTATEUR

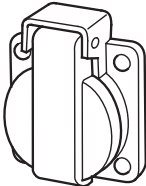
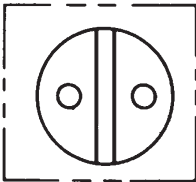
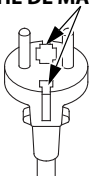
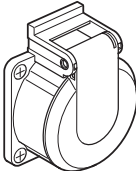
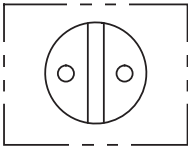
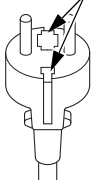
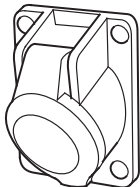
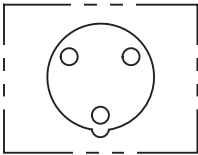
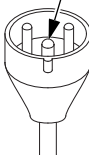
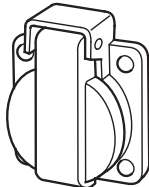
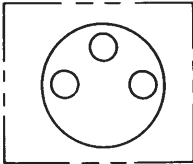
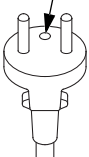
### COMBINE COMMUTATEUR

	IG	E	BAT	ST	FS	G
OFF	○	○			○	○
ON						
START			○	○		

### INTERRUPTEUR ECO THROTTLE

	BI/R	G/W	ECO THROTTLE
ON	○	○	OFF
OFF			ON

## PRISE

Type	Forme		Prise
G			<b>BROCHE DE MASSE</b> 
GW1			<b>BROCHE DE MASSE</b> 
B			<b>BROCHE DE MASSE</b> 
F			<b>BROCHE DE MASSE</b> 



---

## NOTES PERSONNELLES

**Honda EU30is**

**BEDIENUNGSANLEITUNG**  
Originalbetriebsanleitung





---

Wir danken Ihnen für den Kauf eines Honda-Generators.

Diese Anleitung erläutert den Betrieb und die Wartungsschritte für das Generatormodell EU30is.

Das Handbuch enthält alle zur Zeit der Drucklegung erhältlichen neuesten Informationen.

Honda Motor Co., Ltd. behält sich das Recht vor, jederzeit ohne Vorankündigung Änderungen vorzunehmen, ohne irgendwelche Verpflichtungen einzugehen.

Kein Teil dieser Veröffentlichung darf ohne schriftliche Genehmigung reproduziert werden.

Diese Anleitung muss als Teil des Generators betrachtet werden und bei seinem Verkauf weitergegeben werden.

Widmen Sie Ihre besondere Aufmerksamkeit denjenigen Hinweisen und Anweisungen, die wie folgt gekennzeichnet sind:

**▲ WARNUNG** **Weist bei Nichtbefolgung auf schwere Verletzungen oder Todesfolge hin.**

**VORSICHT: Weist bei Nichtbefolgung auf Verletzungen oder Beschädigung der Ausrüstung hin.**

HINWEIS: Vermittelt hilfreiche Informationen.

Falls Störungen auftreten, oder wenn Sie irgendwelche Fragen zum Generator haben, wenden Sie sich an einen autorisierten Honda-Händler.

**▲ WARNUNG**

**Honda-Generatoren sind für einen sicheren und zuverlässigen Betrieb ausgelegt, sofern sie entsprechend den Anweisungen betrieben werden. Lesen Sie die Bedienungsanleitung gründlich, bevor Sie den Generator in Betrieb nehmen. Anderenfalls können Personenverletzungen und/oder Geräteschäden verursacht werden.**

Die Abbildung kann je nach Typ unterschiedlich sein.

# INHALT

---

1. SICHERHEITSANWEISUNGEN .....	3
2. LAGE DER SICHERHEITSAUFKLEBER .....	7
• Lage der CE-Spezifizierung und des Geräuschpegel-Hinweisschilds .....	10
3. BEZEICHNUNG DER TEILE .....	11
4. ÜBERPRÜFUNGEN VOR INBETRIEBNAHME .....	15
5. ANLASSEN DES MOTORS .....	20
• Betrieb in großen Höhen.....	26
6. BENUTZUNG DES GENERATORS.....	27
7. ABSTELLEN DES MOTORS .....	41
8. WARTUNG.....	43
9. TRANSPORT/LAGERUNG .....	54
10.FEHLERSUCHE .....	56
11.TECHNISCHE DATEN .....	59
12.SCHALTPLAN .....	61
SCHALTERANSCHLÜSSE .....	62
STECKDOSE .....	63
ADRESSEN DER WICHTIGSTEN	
Honda-HAUPTHÄNDLER .....	Innenseite der hinteren Abdeckung
"EU-Konformitätserklärung"	
INHALTSÜBERSICHT .....	Innenseite der hinteren Abdeckung

## **WICHTIGER SICHERHEITSHINWEIS**

Honda-Generatoren sind zum Betrieb von elektrischen Ausrüstungen mit geeigneten Leistungsanforderungen ausgelegt. Andere Anwendungen können zu Verletzungen der Bedienungsperson und zu einer Beschädigung des Generators sowie anderen Sachschäden führen.

Die meisten Verletzungen und Sachschäden lassen sich vermeiden, wenn alle Anweisungen in dieser Anleitung und alle am Generator angebrachten Anweisungen befolgt werden. Nachfolgend sind die üblichsten Gefahren mit entsprechenden Schutzmaßnahmen beschrieben.

Der Generator darf in keiner Weise modifiziert werden. Dies kann einen Unfall und eine Beschädigung des Generators sowie von Geräten zur Folge haben. Bei Veränderungen am Motor erlischt die EU-Typgenehmigung dieses Motors.

- Keine Verlängerung am Auspufftopf anschließen.
- Keine Veränderungen am Ansaugsystem vornehmen.
- Den Regler nicht einstellen.
- Das Bedienpult nicht abnehmen und dessen Verkabelung nicht verändern.

## **Verantwortung der Bedienungsperson**

Sie müssen den Generator in einem Notfall schnell stoppen können.

Machen Sie sich mit allen Bedienelementen, Ausgangssteckdosen und Anschlüssen des Generators vertraut.

Vergewissern Sie sich, dass jede Person, die den Generator bedient, richtig eingewiesen worden ist. Sorgen Sie dafür, dass Kinder ohne Aufsicht keinen Zugang zum Generator haben.

Befolgen Sie die Anweisungen in diesem Handbuch hinsichtlich des Gebrauchs und der Wartung des Generators. Nichtbeachtung oder falsche Ausführung der gegebenen Anweisungen kann zu Unfällen, z. B. durch Stromschläge, und zu einer Verschlechterung der Abgasbeschaffenheit führen.

Beachten Sie bitte alle für den Einsatzbereich des Generators geltenden Vorschriften und Gesetze.

Benzin und Öl sind giftig. Vor Gebrauch die Anweisungen des jeweiligen Herstellers lesen und befolgen.

Den Generator auf einer festen, ebenen Stelle absetzen.

Den Generator nicht betreiben, wenn irgendeine Abdeckung abgenommen ist. Dies würde erhöhte Unfallgefahr bedeuten, und Sie könnten sich mit einer Hand oder einem Fuß im Generator verfangen.

Bezüglich Zerlegungs- und Wartungsverfahren des Generators, die in diesem Handbuch nicht beschrieben sind, wenden Sie sich bitte an Ihren Honda-Händler.

---

## **Kohlenmonoxid-Gefahr**

Abgase enthalten Kohlenmonoxid, ein farb- und geruchloses Giftgas. Einatmung von Abgasen kann Bewusstlosigkeit verursachen und tödlich wirken.

Wenn Sie den Generator in einem geschlossenen oder auch nur teilweise geschlossenen Raum laufen lassen, kann die Luft, die Sie einatmen, eine gefährliche Abgasmenge enthalten.

Der Generator darf auf keinen Fall in einer Garage, in einem Haus bzw. in der Nähe geöffneter Fenster oder Türen betrieben werden.

## **Stromschlaggefahr**

Der Generator erzeugt so viel elektrische Energie, dass Missbrauch zu Stromschlägen führen kann, die tödlich ausgehen können.

Gebrauch eines Generator oder elektrischen Gerätes unter feuchten Bedingungen, wie z. B. bei Regen oder Schnee, in der Nähe eines Schwimmbekens oder einer Beregnungsanlage, bzw. mit nassen Händen, kann zu tödlichen Stromschlägen führen.

Sorgen Sie stets dafür, dass der Generator trocken bleibt.

Wenn der Generator im Freien, ungeschützt vor Wetter, abgestellt ist, sind alle elektrischen Komponenten am Bedienpult vor jedem Gebrauch zu überprüfen. Feuchtigkeit oder Eis kann Funktionsstörungen und Kurzschlüsse bei elektrischen Komponenten und damit tödliche Stromschläge verursachen.

Wenn Sie einen Stromschlag erlitten haben, begeben Sie sich unverzüglich in ärztliche Behandlung.

---

## **Brand- und Verbrennungsgefahr**

Den Generator nicht in einer Umgebung betreiben, in der hohe Brandgefahr besteht.

Die Auspuffanlage wird so heiß, dass sich gewisse Materialien an ihr entzünden können.

- Halten Sie den Generator während des Betriebs mindestens 1 Meter von Gebäuden und anderen Geräten fern.
- Der Generator darf auf keine Weise umschlossen werden.
- Halten Sie brennbare Materialien vom Generator fern.

Gewisse Teile des Verbrennungsmotors können so heiß werden, dass man sich daran verbrennen kann. Achten Sie auf die am Generator angebrachten Warnhinweise.

Der Auspufftopf wird während des Betriebs sehr heiß und bleibt auch nach dem Abstellen des Motors eine gewisse Zeit lang heiß. Darauf achten, den Auspufftopf in heißem Zustand nicht zu berühren. Den Motor abkühlen lassen, bevor der Generator in einem geschlossenen Raum abgestellt wird.

Falls ein Brand ausbricht, darf Wasser nicht direkt über den Generator gegossen werden. In diesem Fall ist ein speziell für elektrische Brände oder Ölbrände entwickelter Feuerlöscher einzusetzen.

Bei Einatmung von Rauchgasen im Falle eines Generatorbrands begeben Sie sich unverzüglich in ärztliche Behandlung.

### **Vorsicht beim Tanken**

Benzin ist außerordentlich feuergefährlich, Benzindampf kann explodieren. Lassen Sie den Motor nach Betrieb des Generators abkühlen.

Tanken Sie nur im Freien in einem gut belüfteten Bereich bei gestopptem Motor.

Während des Betriebs darf nicht nachgetankt werden.

Den Tank nicht überfüllen.

In der Nähe von Benzin darf nicht geraucht werden, jegliche Flammen und Funken sind fern zu halten.

Bewahren Sie Benzin stets in einem zugelassenen Behälter auf.

Eventuell verschüttetes Benzin muss vollständig aufgewischt und entfernt werden, bevor der Motor gestartet wird.



---

## **Explosionssicher**

Dieser Generator erfüllt Explosionssicherheitsanforderungen nicht.

## **Entsorgung**

Aus Umweltschutzgründen dürfen Generator, Batterie, Motoröl usw. nicht einfach in den Abfall gegeben werden.

Beachten Sie alle örtlichen Gesetze und Vorschriften hinsichtlich der korrekten Entsorgung derartiger Teile und Stoffe. Ihr autorisierter Honda-Generator-Händler berät Sie dabei gerne.

Bei der Beseitigung des Altöls bitte die entsprechenden Umweltschutzbestimmungen beachten. Wir empfehlen, dass Sie das Altöl zu Ihrer örtlichen Tankstelle bringen. Das gebrauchte Motoröl nicht in den Abfall werfen oder auf den Boden gießen.

Eine unsachgemäß entsorgte Batterie kann die Umwelt schädigen. Halten Sie sich beim Entsorgen von Batterien stets an örtlich geltende Vorschriften. Bezüglich Ersatz wenden Sie sich bitte an Ihre Kundendienstwerkstatt.

## **ENTSORGUNG DES STROMERZEUGERS**

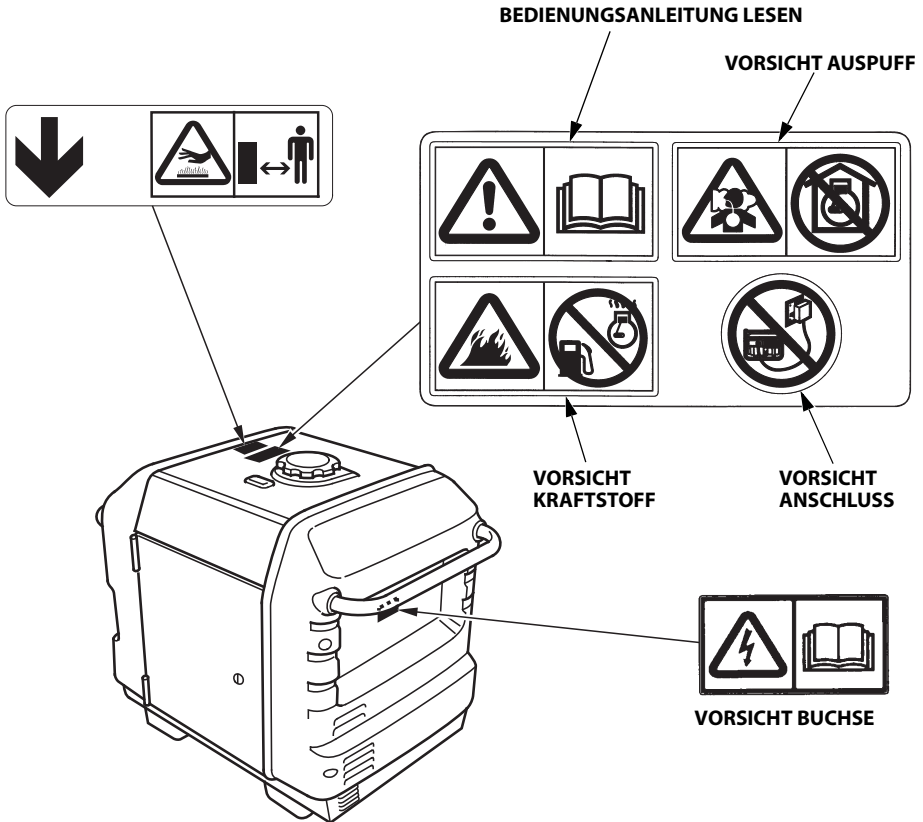


Elektrische Geräte gehören nicht in den Hausmüll. Bei der Entsorgung elektrischer Geräte auf Abfalldeponien und Müllhalden können gesundheitsschädliche Stoffe freigesetzt werden und in die Nahrungskette eintreten. Weitere Informationen zur fachgerechten Entsorgung dieses Produkts erhalten Sie von Ihrem Händler oder der örtlichen Entsorgungsstelle.

## 2. LAGE DER SICHERHEITSaufkleber

Diese Aufkleber informieren über potentielle Gefahrenquellen, die schwere Verletzungen verursachen können. Die in dieser Anleitung erwähnten Hinweisschilder und Sicherheitshinweise sorgfältig durchlesen.

Wenn sich ein Aufkleber gelöst hat oder unleserlich geworden ist, wenden Sie sich an Ihre Kundendienstwerkstatt, um einen neuen zu erhalten.





- **Honda-Generatoren sind für einen sicheren und zuverlässigen Betrieb ausgelegt, sofern sie entsprechend den Anweisungen betrieben werden.**  
**Lesen Sie die Bedienungsanleitung gründlich, bevor Sie den Generator in Betrieb nehmen. Andernfalls können Personenverletzungen und/oder Geräteschäden verursacht werden.**



- **Abgase enthalten Kohlenmonoxid, ein farb- und geruchloses Giftgas. Einatmung von Kohlenmonoxid kann Bewusstlosigkeit verursachen und tödlich wirken.**
- **Wenn Sie den Generator in einem geschlossenen oder auch nur teilweise geschlossenen Raum laufen lassen, kann die Luft, die Sie einatmen, eine gefährliche Abgasmenge enthalten.**
- **Der Generator darf auf keinen Fall in einer Garage, in einem Haus bzw. in der Nähe geöffneter Fenster oder Türen betrieben werden.**



- **Falsche Anschlüsse an das elektrische Leitungssystem eines Gebäudes können zur Einspeisung von Strom vom Generator in das Netz führen.**  
**Dieser Vorgang kann zu lebensgefährlichen Stromschlägen für Beschäftigte des Stromversorgungsunternehmens oder andere Personen führen, die während eines Stromausfalls Netzleitungen berühren. Außerdem kann der Generator bei erneuter Zuschaltung der Netzspannung explodieren, Feuer fangen oder einen Brand verursachen.**  
**Bevor Sie derartige Stromanschlüsse herstellen, setzen Sie sich mit dem Stromversorgungsunternehmen oder einem Fachmann in Verbindung.**



- **Benzin ist äußerst feuergefährlich und explosiv. Bevor getankt wird, den Motor abstellen und abkühlen lassen.**

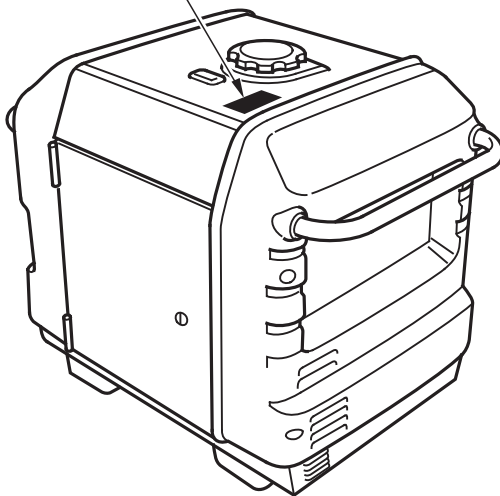
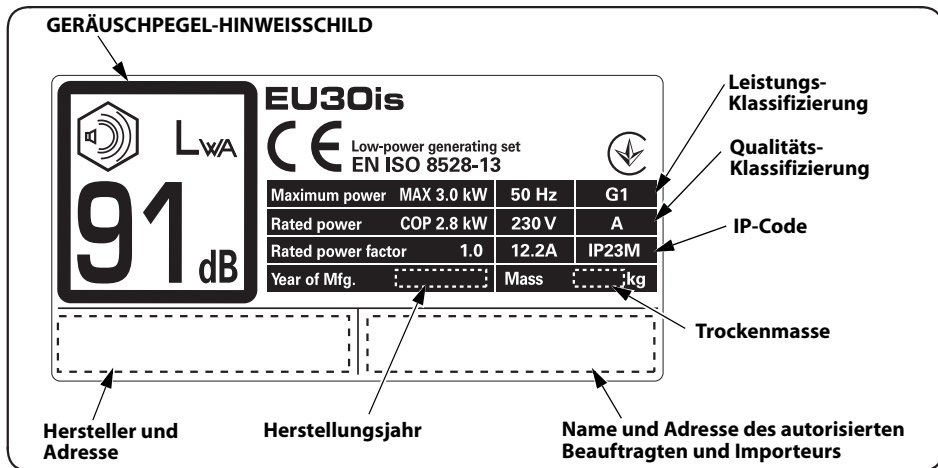


- **An einer heißen Auspuffanlage kann man sich ernsthafte Verbrennungen zuziehen. Wenn der Motor in Betrieb war, ist Berührung zu vermeiden.**



- **Die Anschlussbox für Parallelbetrieb bei gestopptem Motor anschließen und trennen.**
- **Für Einzelbetrieb muss die Anschlussbox für Parallelbetrieb abgetrennt werden.**

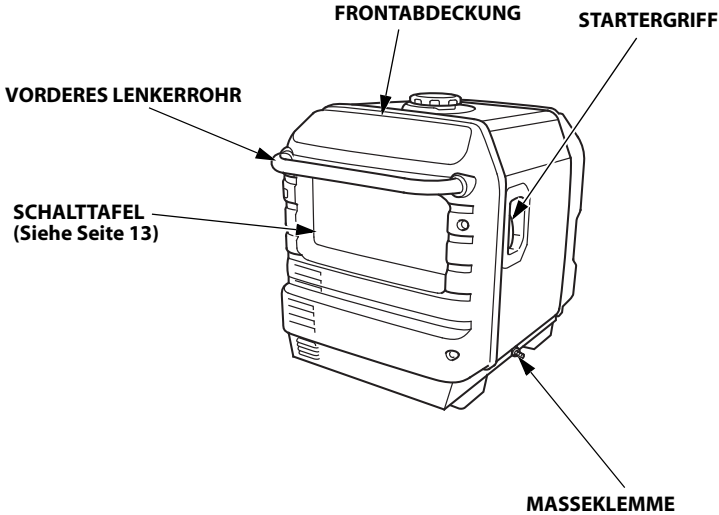
- Lage der CE-Spezifizierung und des Geräuschpegel-Hinweisschilds
- CE-SPEZIFIZIERUNG und GERÄUSCHPEGEL-HINWEISSCHILD



Name und Anschrift des Herstellers, Beauftragten und Importeurs werden in der Bedienungsanleitung unter "EU-Konformitätserklärung" INHALTSÜBERSICHT aufgeführt.

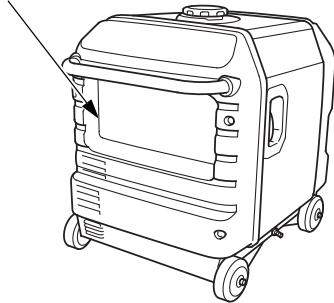
### 3. BEZEICHNUNG DER TEILE

#### <STANDTYP>



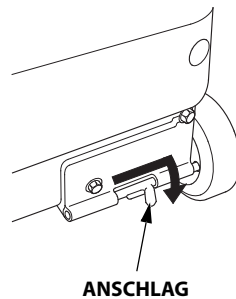
#### <RADTYP>

SCHALTAFEL  
(Siehe Seite 13)

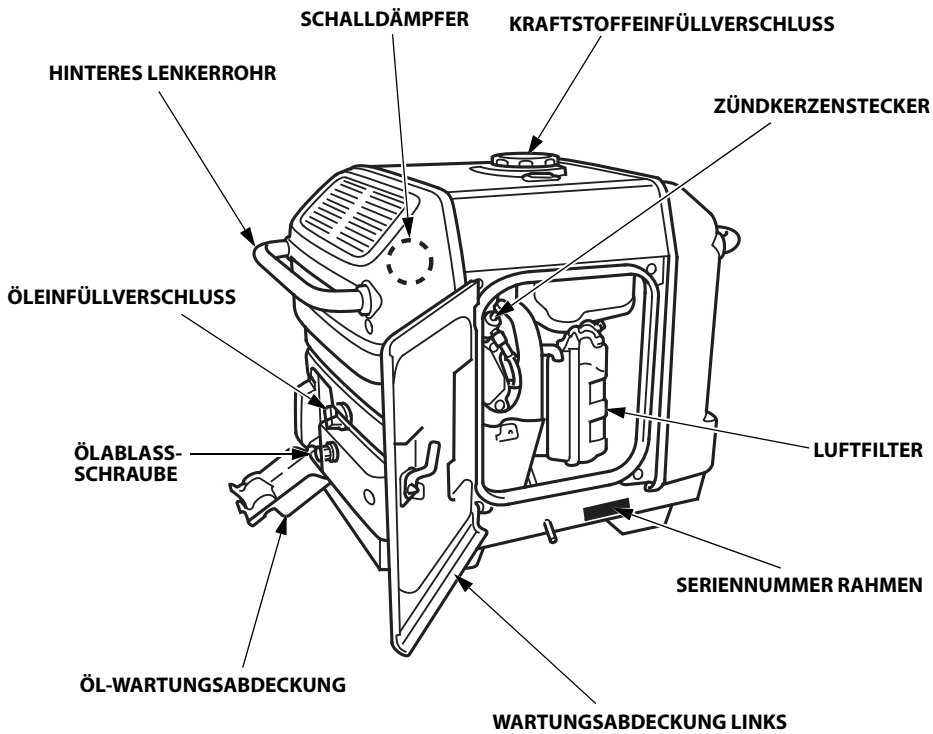


#### HINWEIS:

Wenn nicht alle vier Räder guten Bodenkontakt haben, kann der Generator instabil werden. Vor Inbetriebnahme ist sicherzustellen, dass alle vier Räder einwandfreien Bodenkontakt haben.



Den Anschlaghebel anheben und den Anschlag in Pfeilrichtung verschieben, sodass er in die Öffnung im Rad eintritt, dann den Anschlaghebel absenken. Sicherstellen, dass das Rad blockiert ist.

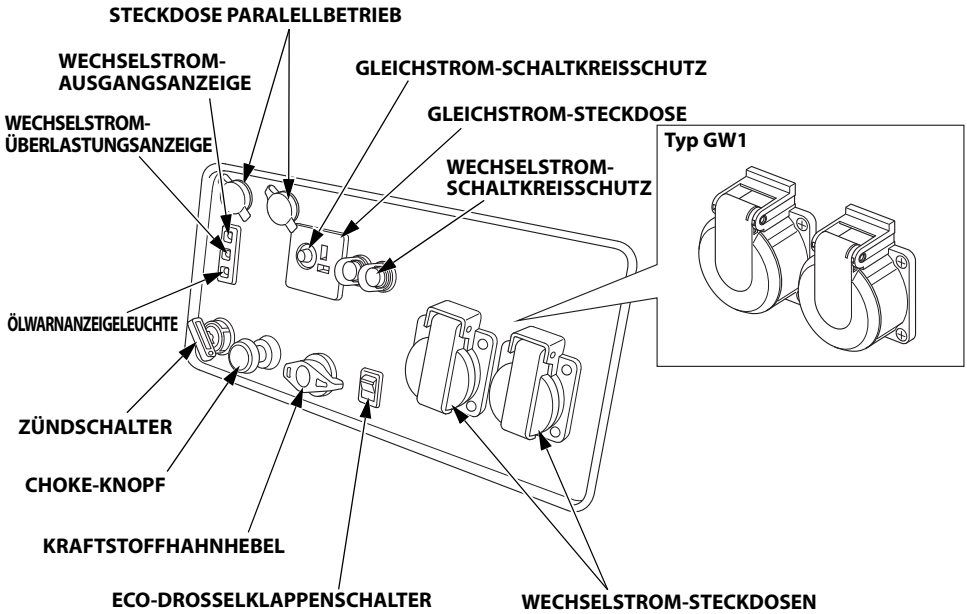


Schreiben Sie die Rahmen-Seriennummer in die nachfolgende freie Stelle. Bei der Bestellung von Bauteilen ist diese Nummer erforderlich.

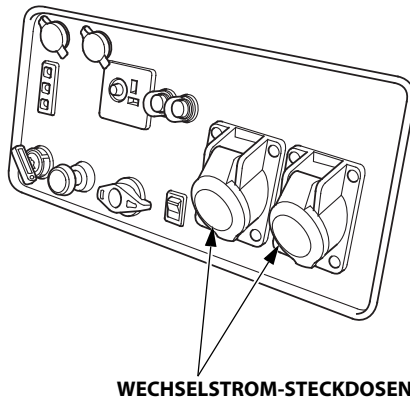
Rahmenseriennummer: \_\_\_\_\_

# SCHALTТАFEL

## Typen F, G, GW1



## Typ B





## Eco-Drosselklappe

### EIN:

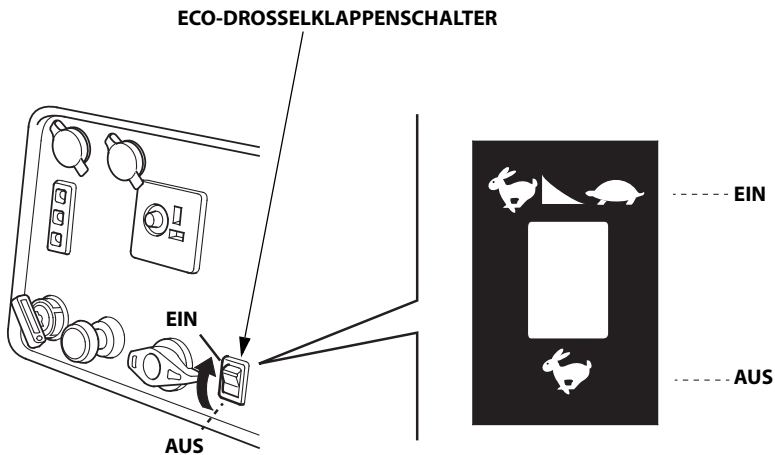
Hierbei wird die Motordrehzahl automatisch auf die Leerlaufdrehzahl eingestellt, wenn der elektrische Stromverbraucher abgeklemmt wird; beim Wiederanschließen des elektrischen Stromverbrauchers wird wieder auf die der Belastung entsprechenden Drehzahl zurückgekehrt. Es wird empfohlen, diese Position zur Minimierung des Kraftstoffverbrauchs während des Betriebs zu wählen.

### HINWEIS:

- Bei einem gleichzeitigen Anschließen von Geräten mit hoher Leistungsaufnahme ist der Eco-Drosselklappenschalter auf AUS zu stellen, um Spannungsschwankungen abzuschwächen.
- Das Eco-Drosselklappensystem lässt sich nicht wirksam einsetzen, wenn der elektrische Verbraucher Momentanstrom erfordert.

### AUS:

Das Eco-Drosselklappensystem arbeitet nicht. Die Motordrehzahl wird im Bereich für Motordrehzahl (bei deaktiviertem Eco-Drosselklappensystem) auf der Seite "TECHNISCHE DATEN" gehalten.



## 4. ÜBERPRÜFUNGEN VOR INBETRIEBNAHME

### Ersatzschlüssel

Sie erhalten zwei Schlüssel für Ihren Generator. Schneiden Sie das Kunststoffetikett durch, um die beiden Schlüssel zu trennen und bewahren Sie den Ersatzschlüssel an einem sicheren Ort auf.

### VORSICHT:

**Den Generator unbedingt auf ebener Fläche bei abgestelltem Motor überprüfen.**

Vor jedem Einsatz den Motor und dessen Standort auf Öl- und Kraftstofflecks prüfen.

1. Den Motorölstand kontrollieren.

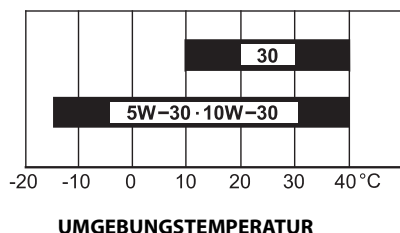
### VORSICHT:

**Durch die Verwendung von Öl ohne Reinigungszusätze oder Zweitaktöl kann die Lebensdauer des Motors verkürzt werden.**

### Empfohlenes Öl

Motoröl für Viertaktmotoren verwenden, das die Anforderungen für API-Serviceklasse SE oder höher (bzw. gleichwertig) erfüllt oder überschreitet. Prüfen Sie stets das API-Service-Etikett am Ölbehälter, um sicherzugehen, dass es die Buchstaben SE oder die einer höheren Klasse (bzw. entsprechende) enthält.

Vor dem Gebrauch lesen Sie bitte die Anweisung auf dem Ölbehälter.



SAE 10W-30 wird für allgemeinen Gebrauch empfohlen. Andere in der Tabelle angegebene Viskositäten können verwendet werden, wenn die durchschnittliche Temperatur in Ihrem Gebiet innerhalb des angezeigten Bereichs liegt.

Zur Aufrechterhaltung der Leistungsfähigkeit des Abgasreinigungssystems erforderliche Schmierölspezifikationen: Originalöl von Honda.

---

Den Motorölstand kontrollieren. Der Motor muss dazu abgestellt sein und sich in waagerechter Position befinden.

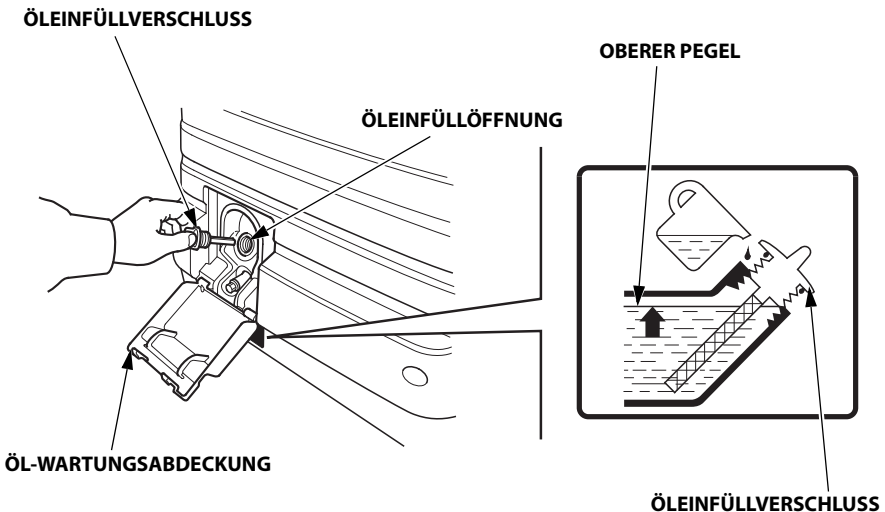
1. Die Ölwartungsabdeckung öffnen.
2. Den Öleinfüllverschluss entfernen.
3. Den Ölstand kontrollieren. Wenn er unter der oberen Grenze liegt, empfohlenes Öl (siehe Seite 15) bis zur oberen Grenze nachfüllen.
4. Den Öleinfüllverschluss wieder sicher anbringen.

**VORSICHT:**

**Betreiben des Motors mit unzureichender Ölfüllung kann ernsthafte Beschädigung des Motors zur Folge haben.**

**HINWEIS:**

Das Ölwarnsystem stoppt den Motor automatisch, bevor der Ölstand unter das sichere Minimalniveau sinken kann. Um jedoch ein unerwartetes Abschalten und die damit verbundenen Unannehmlichkeiten zu vermeiden, ist es dennoch ratsam, den Ölstand regelmäßig zu kontrollieren.



2. Den Kraftstoffstand kontrollieren.

Den Kraftstoffmesser kontrollieren. Bei niedrigem Kraftstoffstand nachtanken.

Nach dem Auffüllen den Kraftstoffeinfüllverschluss wieder gut festdrehen.

## Empfohlener Kraftstoff

Bleifreies Benzin	
	Research-Oktananzahl 91 oder höher
	ROZ+MOZ/2 = 86 oder höher

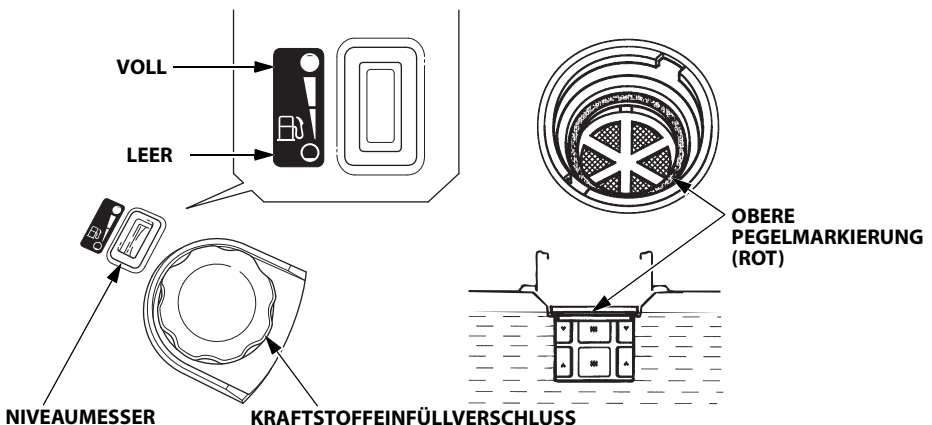
Dieser Motor ist auf bleifreies Benzin mit einer Research-Oktananzahl von 91 oder höher (entsprechend ROZ+MOZ/2 = 86 Oktan oder höher) ausgelegt. Zur Aufrechterhaltung der Leistungsfähigkeit des Abgasreinigungssystems erforderliche Kraftstoffspezifikation(en): Kraftstoff E10, auf den in EU-Verordnung verwiesen wird.

Niemals abgestandenes, verschmutztes oder mit Öl vermishtes Benzin verwenden. Darauf achten, dass weder Schmutz noch Wasser in den Kraftstofftank gelangt.

### ⚠ WARNUNG

- **Benzin ist äußerst feuergefährlich und unter gewissen Bedingungen explosiv.**
- **Nur in einem gut belüfteten Bereich und bei abgestelltem Motor auftanken. Beim Auftanken und an Orten, an denen Kraftstoff gelagert wird, nicht rauchen und offene Flammen oder Funken fernhalten.**
- **Den Kraftstofftank nicht überfüllen (der Kraftstoff darf nicht über die obere Pegelmarke reichen). Nach dem Tanken sicherstellen, dass der Kraftstoffeinfüllverschluss richtig aufgesetzt und gut festgedreht wurde.**
- **Darauf achten, dass beim Auftanken kein Kraftstoff verschüttet wird. Benzindämpfe oder verschütteter Kraftstoff können sich entzünden. Wenn dennoch Kraftstoff verschüttet wird, diesen vor dem Anlassen des Motors unbedingt aufwischen.**
- **Wiederholen oder längeren Kontakt mit der Haut, sowie das Einatmen von Dämpfen vermeiden.**

**AUSSERHALB DER REICHWEITE VON KINDERN HALTEN.**



---

#### HINWEIS:

Einflussfaktoren wie Lichteinstrahlung, Umgebungstemperatur und Lagerzeit können die Beschaffenheit des Benzins schnell verändern.

Schlimmstenfalls kann Benzin schon innerhalb von 30 Tagen unbrauchbar werden.

Durch Gebrauch minderwertigen Benzins kann ein ernsthafter Motorschaden verursacht werden

(Vergaserverstopfen, Ventilklemmen).

Schäden, die sich auf den Gebrauch minderwertigen Benzins zurückführen lassen, sind von der Garantie nicht abgedeckt.

Um derartige Schäden zu vermeiden, sollten Sie sich an die folgenden Empfehlungen halten:

- Nur das vorgeschriebene Benzin verwenden (siehe Seite 16).
- Frisches und sauberes Benzin verwenden.
- Benzin sollte in einem zugelassenen Kraftstoffbehälter aufbewahrt werden, um eine Qualitätsminderung hinauszuzögern.
- Wenn eine längere Außerbetriebsetzung (länger als 30 Tage) geplant ist, Kraftstofftank und Vergaser entleeren.

#### **Alkoholhaltiges Benzin**

Falls Sie sich für die Verwendung von alkoholhaltigem Benzin (Gasohol) entscheiden, vergewissern Sie sich, dass seine Oktanzahl mindestens so hoch ist wie die von Honda für bleifreies Benzin empfohlene.

Es gibt zwei Sorten von "Gasohol": mit Äthanol- oder Methanolgehalt.

Verwenden Sie kein Gasohol, das mehr als 10 % Äthanol enthält.

Verwenden Sie kein Benzin, das mehr als 5 % Methanol (Methyl- oder Holzalkohol) enthält, und auch kein Benzin mit Methanolgehalt, das nicht Kosolventen und Korrosionsinhibitoren für Methanol beinhaltet.

#### HINWEIS:

- Kraftstoffsystemschäden und Motorleistungsstörungen, die sich auf den Gebrauch von Benzin mit einem höheren Alkoholgehalt als empfohlen zurückführen lassen, sind von der Garantie nicht abgedeckt.
- Bevor Sie Benzin bei einer Ihnen unbekanntem Tankstelle kaufen, sollten Sie zunächst feststellen, ob das Benzin Alkohol enthält, und wenn ja, welchen Typ und zu welchem Prozentsatz.

Falls Sie beim Betrieb mit Benzin einer bestimmten Sorte unerwünschte Begleiterscheinungen feststellen, sollten Sie zu einem Benzin wechseln, das mit Sicherheit weniger als die empfohlene Alkoholmenge enthält.

### 3. Den Luftfilter kontrollieren.

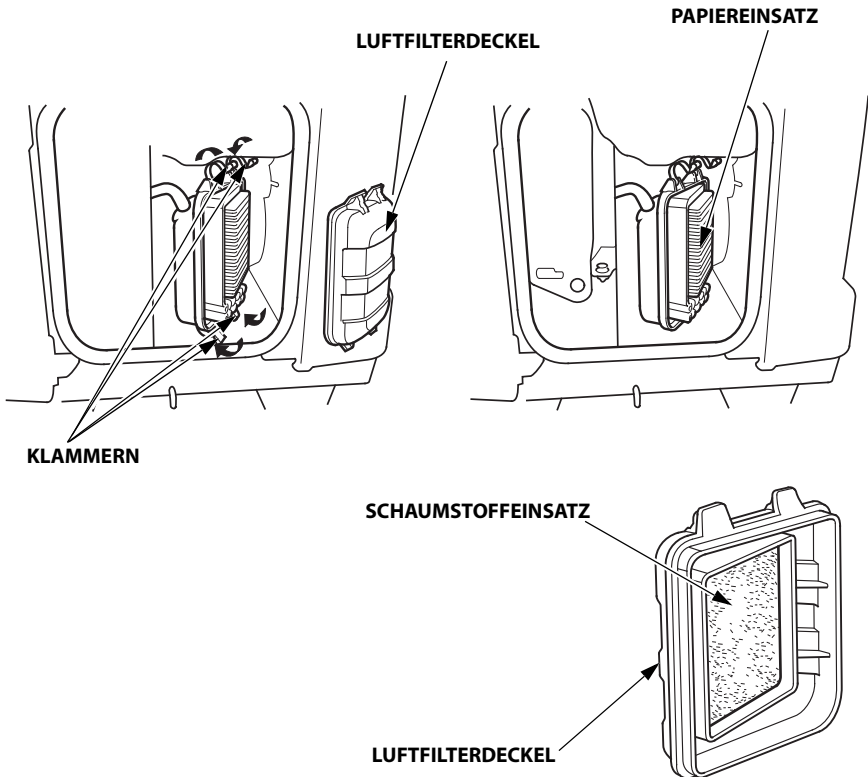
Die Luftfiltereinsätze überprüfen, um sicherzustellen, dass diese sauber und in gutem Zustand sind.

Die linke Wartungsabdeckung öffnen. Die vier Klammern lösen, den Luftfilterdeckel abnehmen, den Schaumstoffeinsatz aus dem Luftfilterdeckel entfernen und beide Filtereinsätze überprüfen.

Die Filtereinsätze reinigen oder gegebenenfalls ersetzen (siehe Seite 45).

#### **VORSICHT:**

**Den Motor niemals ohne Luftfiltereinsatz laufen lassen. Die durch den Vergaser in den Motor eingesaugten Staub- und Schmutzteilchen verursachen schnellen Motorverschleiß.**



# 5. ANLASSEN DES MOTORS

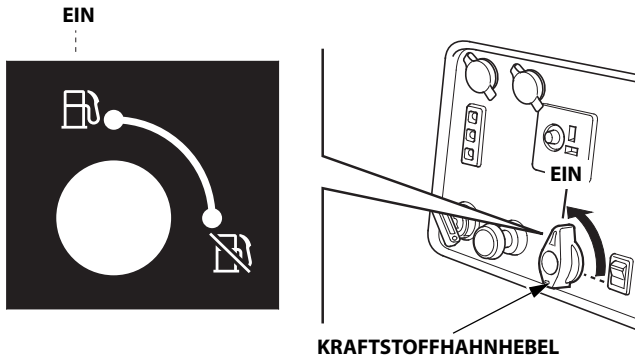
## Elektrischer Anlasser

### VORSICHT:

Wenn der Generator - nach dem anfänglichen Einfüllen von Kraftstoff, nach einer Langzeitlagerung oder nachdem der Kraftstofftank vollkommen leer war - angelassen werden soll, muss der Kraftstoffhahnhebel auf EIN gestellt und 10 bis 20 Sekunden gewartet werden, bevor ein Anlassversuch unternommen wird.

Vor dem Anlassen des Motors müssen angeschlossene Stromverbraucher von der Wechselstrom-Steckdose abgeklemmt werden.

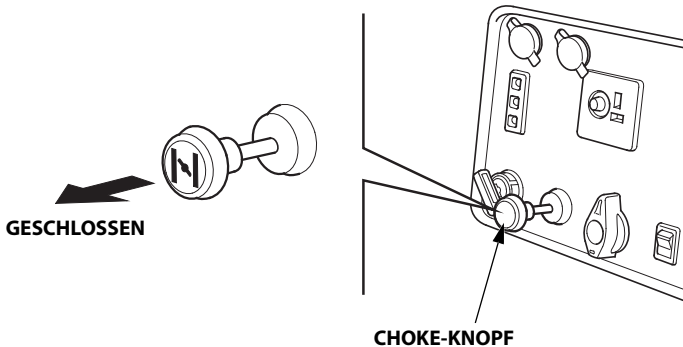
1. Den Kraftstoffhahnhebel aufdrehen (auf EIN stellen).



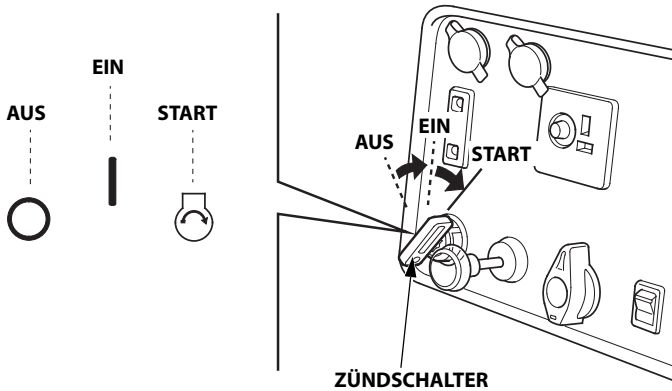
2. Den Choke-Knopf auf die GESCHLOSSEN-Position herausziehen.

### HINWEIS:

Den Choke nicht bei betriebswarmem Motor oder hohen Außentemperaturen verwenden.



3. Den Zündschalter auf START stellen und bis zum Motorstart in dieser Position halten.



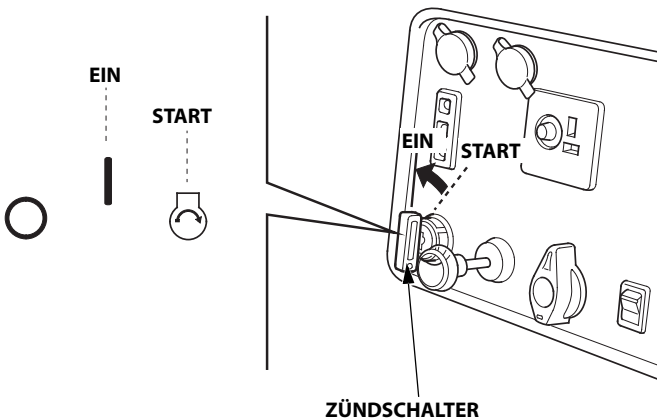
**VORSICHT:**

**Den Starter jeweils nicht länger als 5 Sekunden einsetzen. Wenn der Motor innerhalb dieser Zeit nicht anspringt, den Zündschlüssel freigeben und mindestens 10 Sekunden warten, bevor ein weiterer Anlassversuch unternommen wird.**

**HINWEIS:**

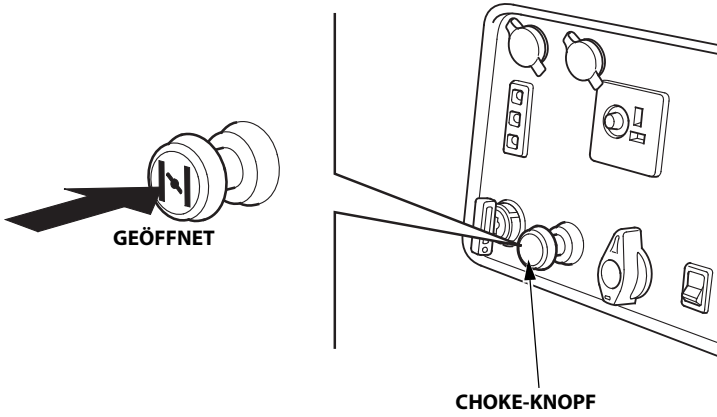
Wenn die Anlasserdrehzahl nach einiger Zeit abfällt, weist dies darauf hin, dass die Batterie nachgeladen werden muss.

4. Sobald der Motor anspringt, den Motorschalter zur Position EIN zurückgehen lassen.





5. Während der Warmlaufzeit des Motors den Choke-Knopf auf die GEÖFFNET-Position schieben.



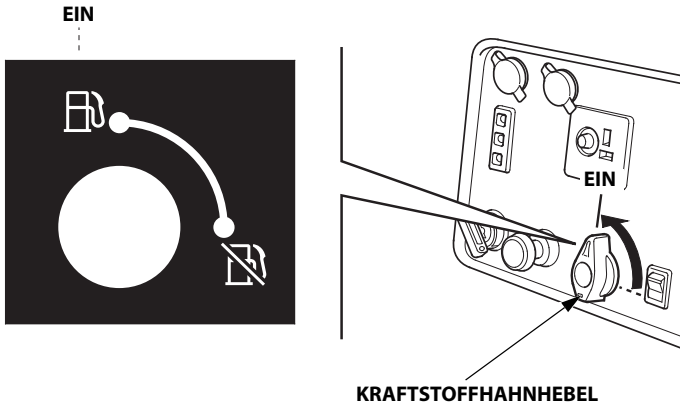
## Manuelles Anlassen

### VORSICHT:

Wenn der Generator - nach dem anfänglichen Einfüllen von Kraftstoff, nach einer Langzeitlagerung oder nachdem der Kraftstofftank vollkommen leer war - angelassen werden soll, muss der Kraftstoffhahnhebel auf EIN gestellt und 10 bis 20 Sekunden gewartet werden, bevor ein Anlassversuch unternommen wird.

Vor dem Anlassen des Motors müssen angeschlossene Stromverbraucher von der Wechselstrom-Steckdose abgeklemmt werden.

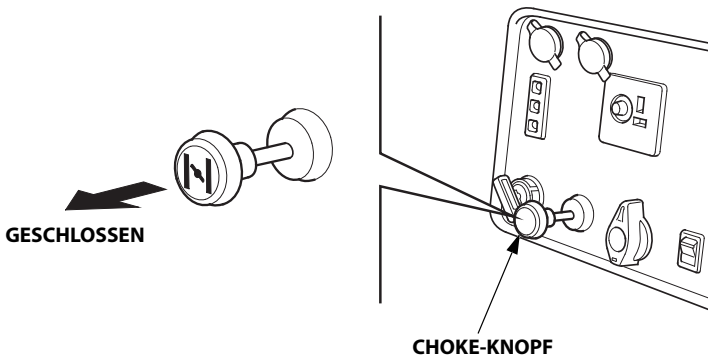
1. Den Kraftstoffhahnhebel aufdrehen (auf EIN stellen).



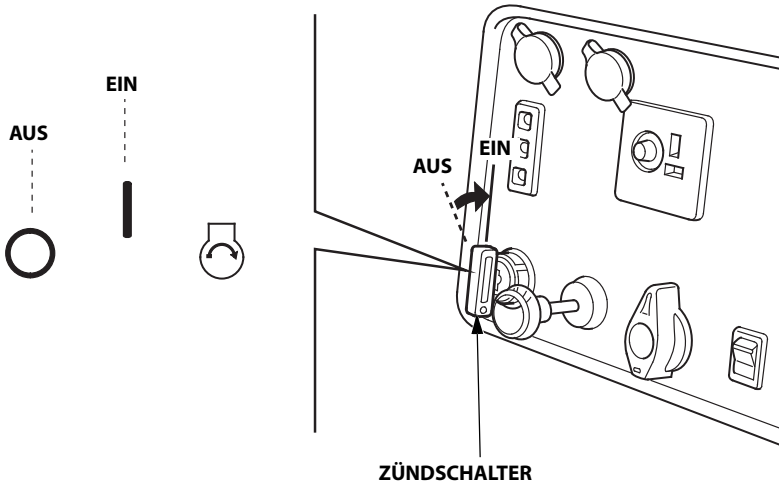
2. Den Choke-Knopf auf die GESCHLOSSEN-Position herausziehen.

### HINWEIS:

Den Choke nicht bei betriebswarmem Motor oder hohen Außentemperaturen verwenden.



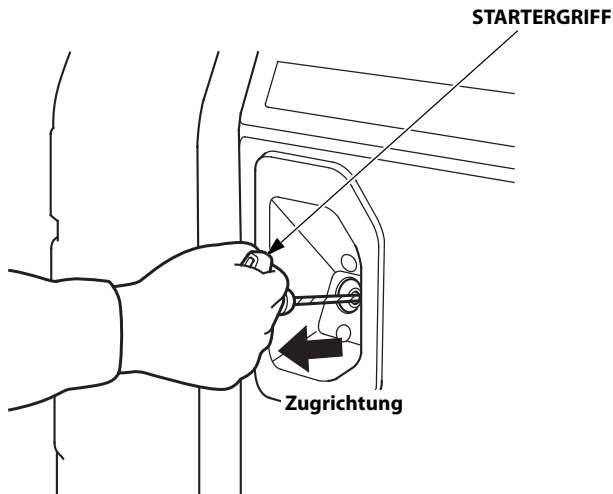
3. Den Zündschalter auf EIN stellen.



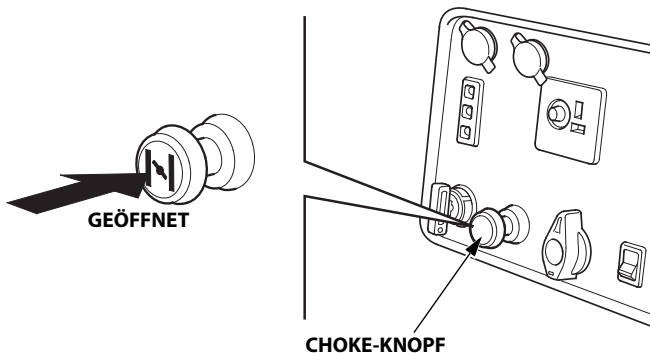
- 
4. Den Startergriff leicht herausziehen, bis ein Widerstand verspürt wird, dann den Griff kräftig in Pfeilrichtung ziehen, wie unten gezeigt.

**VORSICHT:**

- **Der Startergriff kann sehr schnell zurückgezogen werden, bevor man ihn loslässt. Dadurch kann Ihre Hand so stark in Richtung Motor gezogen werden, dass Sie sich verletzen können.**
- **Den Startergriff nicht zurückschlagen lassen. Vorsichtig mit der Hand zurückführen.**
- **Das Startseil nicht am Generator reiben lassen, da es sonst schnell verschleißt.**



5. Während der Warmlaufzeit des Motors den Choke-Knopf auf die GEÖFFNET-Position schieben.



---

- **Betrieb in großen Höhen**

In großen Höhen über dem Meeresspiegel verändert sich das normale Kraftstoff-/Luftgemisch zu einem überfetteten Gemisch. Die Leistung nimmt ab, der Kraftstoffverbrauch hingegen zu.

Bei Betrieb in großer Höhenlage kann die Motorleistung durch entsprechende Vergasermodifikationen verbessert werden. Wenn der Generator stets in Höhenlagen von über 610 m über Meereshöhe betrieben wird, lassen Sie diese Vergasermodifikationen von Ihrer Kundendienstwerkstatt vornehmen.

Auch bei richtiger Vergasereinstellung sinkt die Motorleistung bei einer Höhenzunahme von 300 m um ca. 3,5 %.

Die Leistungsbeeinträchtigung durch die Höhe ist noch höher, wenn keine Anpassung des Vergasers erfolgt.

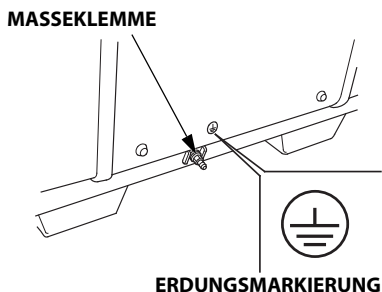
**VORSICHT:**

**Wenn der Generator in einer niedrigeren Meereshöhe als der für die Vergaser-Kalibrierung vorgesehenen betrieben wird, kann Leistungsverlust, Überhitzen und sogar ein ernsthafter Motorschaden durch ein zu mageres Kraftstoff-/Luftgemisch eintreten.**

## 6. BENUTZUNG DES GENERATORS

Der Generator erzeugt so viel elektrische Energie, dass Missbrauch zu Stromschlägen führen kann, die tödlich ausgehen können. Wenn das angeschlossene Gerät geerdet ist, muss auch der Generator geerdet werden.

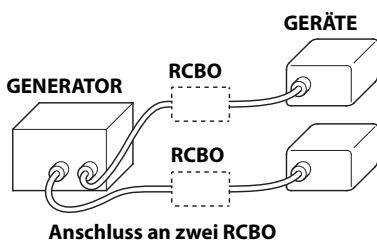
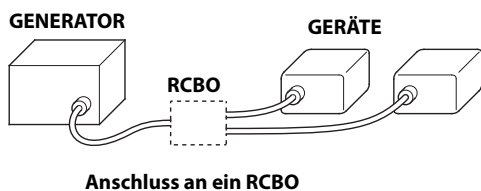
Zum Erden der Klemme des Generators einen Kupferdraht verwenden, der denselben oder einen größeren Durchmesser aufweist als das Kabel des angeschlossenen Geräts.



Zum Anschluss eines Geräts mit Erdleiter einen Verlängerungskabelsatz mit Erdleiter verwenden.

Zur Identifizierung des Massepunkts im Stecker siehe STECKDOSE, Seite 63.

Bei Gebrauch von zwei oder mehr Geräten einen Fehlerstromschutzschalter mit Überlastschutz (RCBO) anschließen, der eine Erdfehlerstromerkennung von 30 mA und eine Stromabschaltgeschwindigkeit von unter 0,4 Sekunden bei mehr als 30 A Ausgangsstrom aufweist. Vor Gebrauch sollten Sie die Anleitung des jeweiligen RCBO-Herstellers lesen und befolgen.



### ⚠ WARNUNG

**Falsche Anschlüsse an das elektrische Leitungssystem eines Gebäudes können zur Einspeisung von Strom vom Generator in das Netz führen. Dieser Vorgang kann zu lebensgefährlichen Stromschlägen für Beschäftigte des Stromversorgungsunternehmens oder andere Personen führen, die während eines Stromausfalls Netzleitungen berühren. Außerdem kann der Generator bei erneuter Zuschaltung der Netzspannung explodieren, Feuer fangen oder einen Brand verursachen. Bevor Sie derartige Stromanschlüsse herstellen, setzen Sie sich mit dem Stromversorgungsunternehmen oder einem Fachmann in Verbindung.**

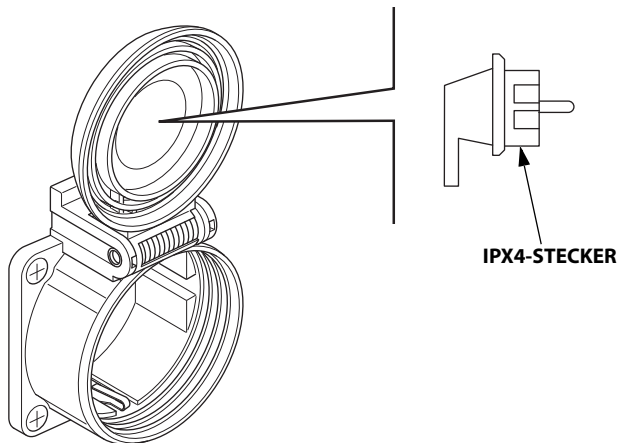
## VORSICHT:

- Der angegebene Höchstwert der Leistungsaufnahme darf an keinem der Anschluss-Stecker überschritten werden.
- Der Generator darf nicht für Verwendungszwecke modifiziert werden, für die der Generator nicht vorgesehen ist. Die folgenden Hinweise sind bei der Benutzung des Generators besonders zu beachten.
- Keine Verlängerung an das Auspuffrohr anschließen.
- Wenn ein Verlängerungskabel erforderlich ist, muss ein widerstandsfähiges, flexibles Kabel mit Gummihülle verwendet werden (IEC 245 oder gleichwertige Qualität).  
Bei der Verwendung eines Verlängerungskabels darf der Widerstandswert  $1,5 \Omega$  nicht überschreiten.
- Maximale Längen für Verlängerungskabel: 60 m bei einem Kabelquerschnitt von  $1,5 \text{ mm}^2$  und 100 m für einen Kabelquerschnitt von  $2,5 \text{ mm}^2$ . Lange Verlängerungskabel vermindern aufgrund des Kabelwiderstands die Nutzleistung.
- Den Generator stets von anderen elektrischen Kabeln und Versorgungsleitungen entfernt halten.

## ⚠ WARNUNG

### Typ GW1

Bei Anschluss eines abgewinkelten Steckers nur einen IPX4-Stecker verwenden.



---

#### HINWEIS:

- Die meisten Gerätemotoren verbrauchen mehr als ihre angegebene Nennleistungsaufnahme zum Anlaufen. Sicherstellen, dass der elektrische Nennwert des Werkzeugs oder Geräts die Höchstnennleistung des Generators nicht überschreitet.  
Die Höchstleistung beträgt: 3,0 kVA
- Bei Dauerbetrieb darf die Nennleistung nicht überschritten werden.  
Die Nennleistung beträgt: 2,8 kVA
- In jedem Fall ist der gesamte Strombedarf (VA) aller angeschlossenen Geräte zu berücksichtigen.
- Die Gleichstrom-Steckdose kann während eines Wechselspannungsbetriebs verwendet werden. Wenn beide gleichzeitig verwendet werden, darf die maximale Wechselstromleistung nicht überschritten werden.  
Maximale Wechselstromleistung: 2,65 kVA

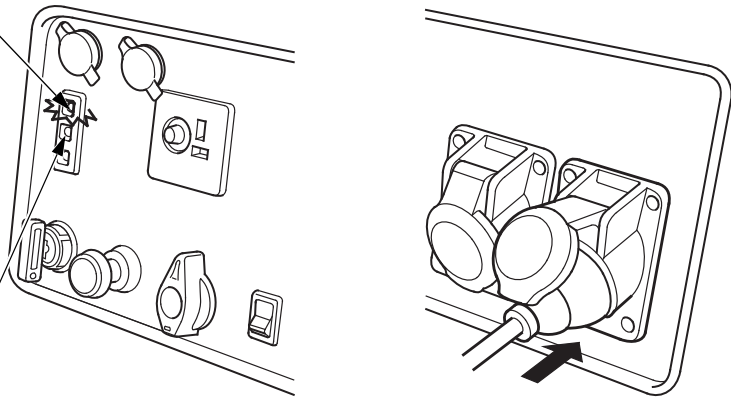


## Wechselstrombetrieb

1. Den Motor starten und sicherstellen, dass die Ausgangsanzeige (grün) aufleuchtet.
2. Sich vergewissern, dass das zu verwendende Gerät ausgeschaltet ist, dann den Stecker des Geräts einstecken.

AUSGANGSANZEIGE  
(GRÜN)

ÜBERLASTUNGSANZEIGE  
(ROT)



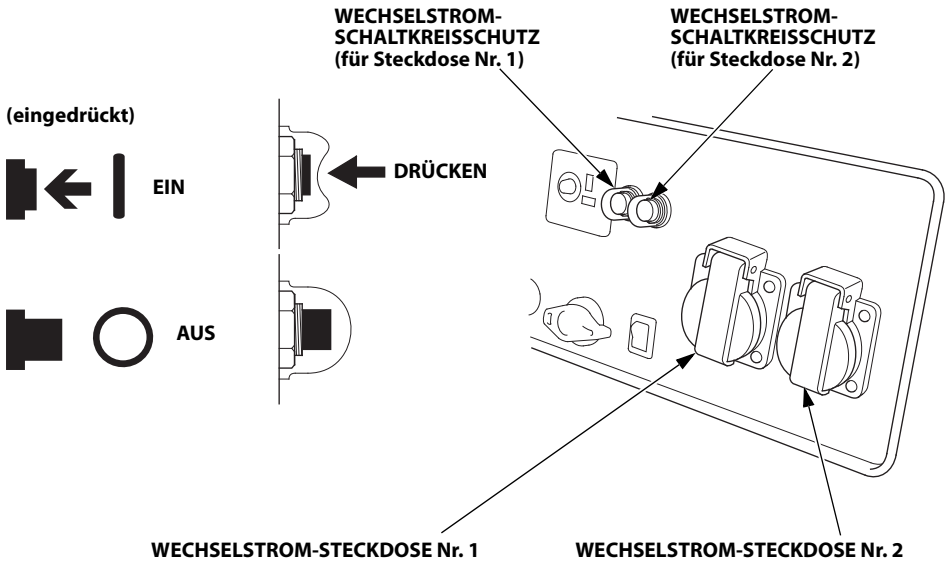
### VORSICHT:

- Eine hohe Überlastung, die ständig die Überlastungsanzeige (rot) aufleuchten lässt, kann den Generator beschädigen. Durch eine geringfügigere Überlastung, die ein vorübergehendes Leuchten der Überlastungsanzeige (rot) verursacht, kann die Lebensdauer des Generators verkürzt werden.
- Sicherstellen, dass sich alle Geräte in einwandfreiem Zustand befinden, bevor sie an den Generator angeschlossen werden. Bei der elektrischen Ausrüstung (einschließlich Kabel- und Steckerverbindungen) darf kein Defekt vorliegen. Wenn ein Gerät abnormal zu arbeiten beginnt, langsam wird oder plötzlich stoppt, muss der Zündschalter des Generators unverzüglich ausgeschaltet werden. Dann das Gerät trennen und die Ursache der Funktionsstörung ausfindig machen.

## Wechselstrom-Schaltkreisschutz (Typen B, F, G, GW1)

Die Wechselstrom-Schaltkreisschutzvorrichtung schaltet automatisch ab (AUS, Druckknopf springt heraus), wenn ein Kurzschluss oder eine bedeutsame Überlast beim Generator an einer Steckdose vorliegt.

Wenn ein Wechselstrom-Schaltkreisschutz automatisch abschaltet (AUS), sicherstellen, dass das Gerät richtig funktioniert und dass die Nennlastkapazität des Schaltkreises nicht überschritten ist, bevor der Wechselstrom-Schaltkreisschutz wieder durch Hineindrücken des Druckknopfs eingeschaltet (EIN) wird.



---

## Ausgangsleistungs- und Überlastungsanzeigen

Bei normalen Betriebsbedingungen leuchtet die Ausgangsanzeige (grün) ständig.

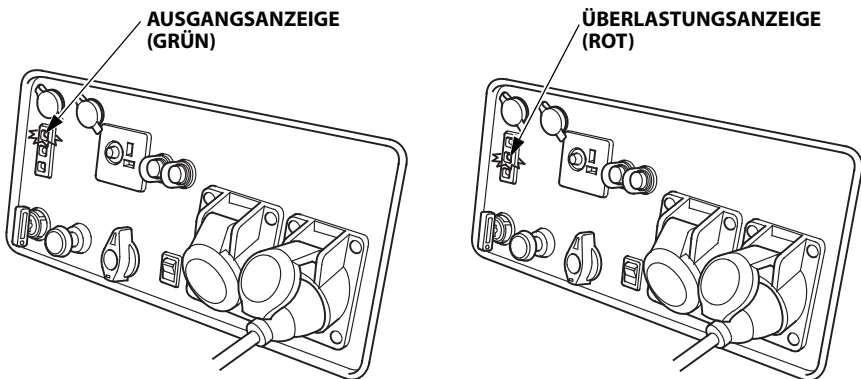
Im Falle einer Überlastung des Generators (siehe Seite 29), oder wenn im angeschlossenen Stromverbraucher ein Kurzschluss auftreten sollte, erlischt die Ausgangsanzeige (grün), die Überlastungsanzeige (rot) leuchtet auf, und die Stromversorgung zum angeschlossenen Gerät wird unterbrochen.

Sollte die Überlastungsanzeige (rot) aufleuchten, muss der Motor gestoppt und die Ursache der Überlastung festgestellt werden.

### HINWEIS:

Die Überlastungsanzeige (rot) leuchtet auch in den folgenden Fällen auf:

- Bei Überhitzung des Wechselrichters: die Stromversorgung zum angeschlossenen Gerät wird unterbrochen. Überprüfen, ob der Lufteinlass blockiert ist.
- Bevor ein Stromverbraucher am Generator angeschlossen wird, sich vergewissern, ob sich das Gerät in einwandfreiem Zustand befindet, und dass die Nennleistung nicht höher als die Nennleistung des Generators liegt. Danach das Netzkabel des Stromverbrauchers anschließen und den Motor anlassen.



### HINWEIS:

Wenn ein Elektromotor gestartet wird, können Überlastungsanzeige (rot) und Ausgangsanzeige (grün) gleichzeitig angehen. Dies ist normal, wenn die Überlastungsanzeige (rot) innerhalb von etwa fünf (5) Sekunden erlischt. Wenn die Überlastungsanzeige (rot) anbleibt, wenden Sie sich bitte an Ihren Honda-Generator-Händler.

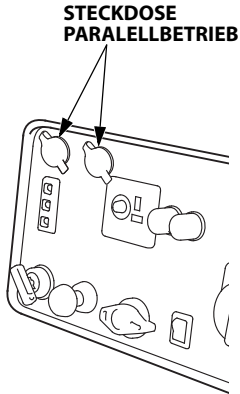
---

## Parallelbetrieb

Bevor ein anderes Gerät mit dem Generator verbunden wird, muss der Abschnitt "BENUTZUNG DES GENERATORS" durchgelesen werden.

Nur Spezial-Kabel/Steckdose für Parallelbetrieb (im Handel erhältlich) verwenden.

### Typen G, GW1, B, F



- 
- Die meisten Gerätemotoren verbrauchen mehr als ihre angegebene Nennleistungsaufnahme zum Anlaufen. Sicherstellen, dass der elektrische Nennwert des Werkzeugs oder Geräts die Höchstnennleistung des Generators nicht überschreitet.  
Maximale Leistung bei Parallelbetrieb: 6,0 kVA
  - Bei Dauerbetrieb darf die Nennleistung nicht überschritten werden.  
Nennleistung bei Parallelbetrieb: 5,6 kVA
  - In jedem Fall ist der gesamte Strombedarf (VA) aller angeschlossenen Geräte zu berücksichtigen.

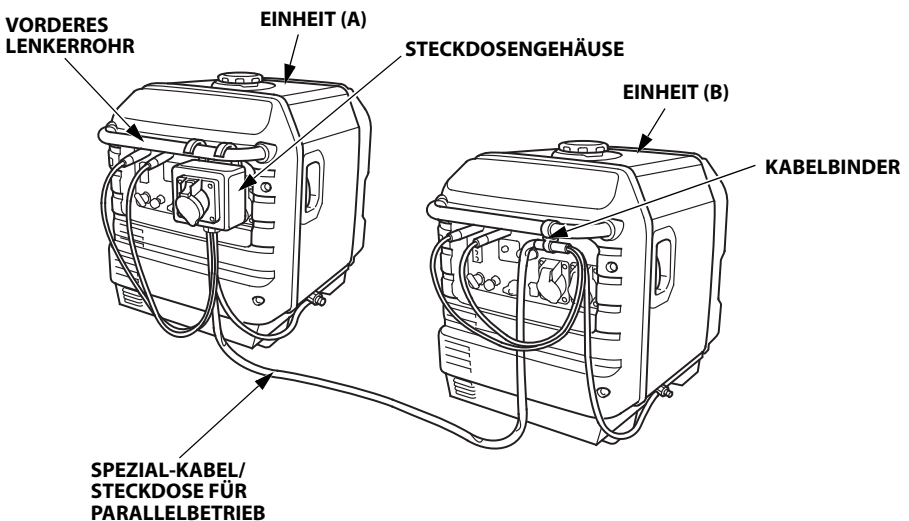
#### **VORSICHT:**

**Eine hohe Überlastung, die ständig die Überlastungsanzeige (rot) aufleuchten lässt, kann den Generator beschädigen. Durch eine geringfügigere Überlastung, die ein vorübergehendes Leuchten der Überlastungsanzeige (rot) verursacht, kann die Lebensdauer des Generators verkürzt werden.**

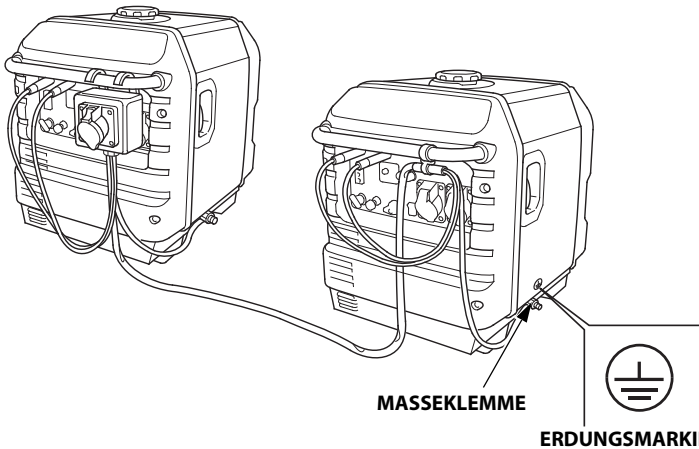
#### **▲ WARNUNG**

- **Niemals verschiedene Generatormodelle und -typen miteinander verbinden.**
- **Es darf niemals ein anderes als das für den Parallelbetrieb vorgesehene Spezialkabel bzw. die Steckdose mit dem Parallelbetrieb-Anschluss verbunden werden.**
- **Das für Parallelbetrieb vorgesehene Spezialkabel bzw. die Steckdose müssen immer bei abgestelltem Motor angeschlossen bzw. abgeklemmt werden.**
- **Bei Einzelbetrieb muss das für Parallelbetrieb vorgesehene Spezialkabel bzw. die Steckdose abgenommen werden.**

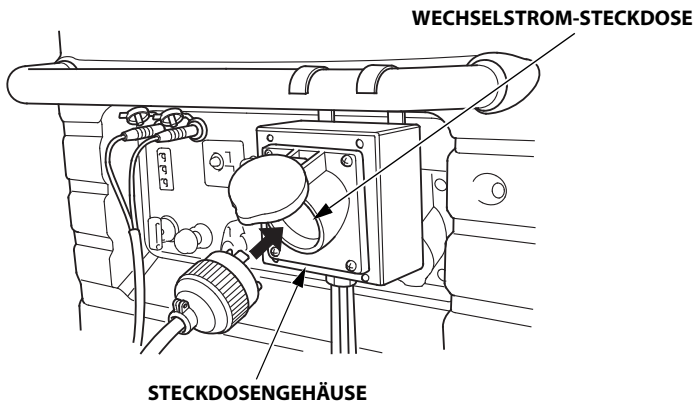
1. Das Steckdosengehäuse des Spezialkabels (bzw. Steckdose) an die vordere Griffstange von Einheit (A) oder (B) hängen und das längere Kabel des Spezialkabels (bzw. Steckdose) mit einem Kabelbinder an die vordere Griffstange der anderen Einheit binden.
2. Das für Parallelbetrieb vorgesehene Spezialkabel bzw. die Steckdose mit den beiden Generatoren verbinden.
  - **Während des Parallelbetriebs muss ein Abstand von mindestens 1 Meter zwischen den beiden Generatoren eingehalten werden.**
  - **Darauf achten, dass das Kabel in Richtung Startgriffseite nicht durchhängt.**
  - **Das längere Kabel am Generator anschließen, an dem das für Parallelbetrieb vorgesehene Spezialkabel bzw. die Steckdose nicht angebracht ist.**
  - **Die Generatoren nicht so aufstellen, dass ihre Auslass-Seiten zueinander weisen.**



3. Den Generator unbedingt an Masse anschließen, wenn die angeschlossenen Geräte geerdet sind.



4. Den Motor entsprechend den Anweisungen im Abschnitt "ANLASSEN DES MOTORS" anlassen.
- Wenn die Ausgangsanzeige (grün) nicht leuchtet und die Überlastungsanzeige (rot) leuchtet, den Zündschalter auf AUS stellen und dann den Motor abstellen und erneut anlassen.
5. Sicherstellen, dass die zu verwendende Ausrüstung ausgeschaltet ist, dann den Stecker der zu verwendenden Ausrüstung in die Wechselstrom-Steckdose der Anschlussbox einstecken.

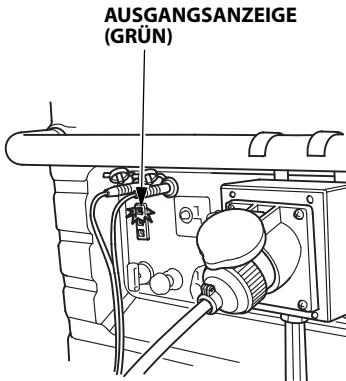


**VORSICHT:**

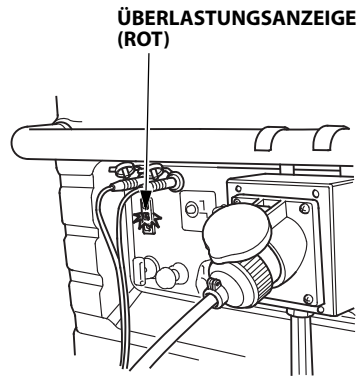
**Sich vergewissern, dass alle angeschlossenen Geräte ausgeschaltet sind. Bei einem eingeschalteten Gerät kann dies plötzlich anspringen, was einen Unfall mit schweren Verletzungen zur Folge haben kann.**

- 
6. Die zu verwendende Ausrüstung einschalten.  
Die Ausgangsanzeige (grün) leuchtet auf.

**Bei Normalbetrieb**



**Bei Überlastung oder Kurzschluss**



- Im Falle einer Überlastung (siehe Seite 32) oder einer Störung bei der angeschlossenen Ausrüstung erlischt die Ausgangsanzeige (grün), die Überlastungsanzeige (rot) leuchtet ständig, und die Stromversorgung wird eingestellt.  
In diesem Fall wird der Motor nicht ausgeschaltet, sondern muss abgestellt werden, indem der entsprechende Zündschalter auf AUS gestellt wird.

**HINWEIS:**

- Die Überlastungsanzeige (rot) leuchtet auch in den folgenden Fällen auf:  
Bei Überhitzung des Wechselrichters: die Stromversorgung zum angeschlossenen Gerät wird unterbrochen. Überprüfen, ob der Lufteinlass blockiert ist.
  - Wenn eine Ausrüstung betrieben wird, die eine hohe Anlaufleistung erfordert - wie z. B. ein Elektromotor usw. - können unter Umständen die Überlastungsanzeige (rot) und Ausgangsanzeige (grün) für kurze Zeit (ca. 4 Sekunden) gleichzeitig aufleuchten, doch stellt dies keine Funktionsstörung dar. Nach Start der Ausrüstung erlischt die Überlastungsanzeige (rot), während die Ausgangsanzeige (grün) anbleibt.
  - Wenn einer der Generatoren nach dem Anspringen des Geräts abgestellt werden soll, muss das für Parallelbetrieb vorgesehene Spezialkabel bzw. die Steckdose zur gleichen Zeit entfernt werden.
7. Wenn erneut Generatorstrom abgeführt wird, muss zuerst das angeschlossene Gerät abgeschaltet und der Verschluss von der Wechselstromsteckdose entfernt werden. Sicherstellen, dass das angeschlossene Gerät und der Anschluss normal sind, und dass nicht zu viel Strom verbraucht wird. Erst danach den Motor anlassen.



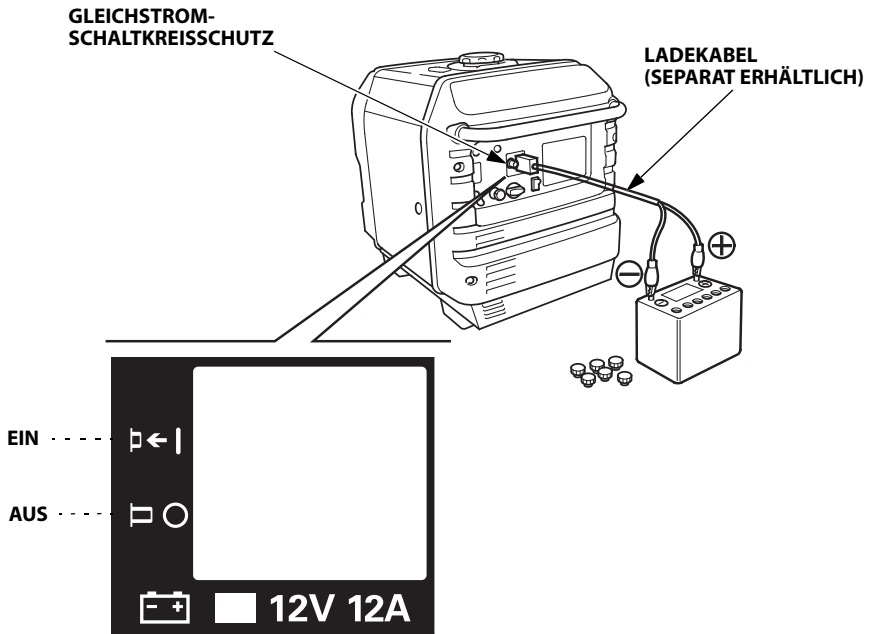
## Gleichstrom Einsatz

Diese Gleichstrom-Steckdose kann nur zum Laden einer 12 V-Fahrzeuggestricke verwendet werden.

### HINWEIS:

Bei Gleichstrombetrieb ist der Eco-Drosselklappenschalter auf AUS zu stellen.

1. Die Ladekabel mit der Gleichstrom-Steckdose des Generators und den Batterieklemmen verbinden.



---

**▲ WARNUNG**

- Um eine Funkenbildung in der Nähe der Batterie zu verhindern, müssen die Ladekabel zuerst mit dem Generator, dann erst mit der Batterie verbunden werden. Beim Abklemmen zuerst die Kabel an der Batterie lösen.
- Vor dem Anschließen von Ladekabeln an einer Fahrzeugbatterie die Fahrzeug-Batteriekabel abklemmen. Die Fahrzeug-Batteriekabel wieder anschließen, nachdem die Ladekabel abgeklemmt wurden. Hierdurch wird bei unbeabsichtigtem Kontakt zwischen Batteriepol und Fahrzeugrahmen bzw. -karosserie die Gefahr eines Kurzschlusses und dabei auftretender Funken verhindert.

**VORSICHT:**

- Nicht versuchen, einen Automotor anzulassen, während der Generator an die Batterie angeschlossen ist. Der Generator kann dadurch beschädigt werden.
- Den positiven Batteriepol mit der positiven Generatorklemme verbinden.  
Die Ladekabel nicht polaritätsverkehrt anschließen, weil sonst der Generator und/oder die Batterie ernsthaft beschädigt werden kann.

**▲ WARNUNG**

- Batterien erzeugen explosive Gase: bei Entzündung kann eine Explosion ernsthafte Verletzungen einschließlich Erblindungen verursachen. Beim Laden für ausreichende Belüftung sorgen.
- **GEFAHR DURCH CHEMISCHEN STOFF:** Batterieelektrolyt enthält Schwefelsäure. Kontakt mit den Augen oder der Haut, selbst durch Kleidungsstücke hindurch, kann zu ernsthaften Verätzungen führen. Gesichtsschutz und Schutzkleidung tragen.
- Offenes Feuer und Funken fernhalten und nicht in Batterienähe rauchen. **GEGENMITTEL:** Wenn Batteriesäure in Ihre Augen gelangt, mit warmem Wasser für wenigstens 15 Minuten ausspülen und danach sofort einen Arzt aufsuchen.
- **GIFT:** Batteriesäure ist giftig.  
**GEGENMITTEL**
  - Äußerlich: Reichlich mit Wasser abspülen.
  - Innerlich: Große Mengen von Wasser oder Milch trinken.  
Danach Magnesiamilch oder Pflanzenöl zu sich nehmen und unverzüglich einen Arzt aufsuchen.
- **AUSSERHALB DER REICHWEITE VON KINDERN HALTEN.**

---

## 2. Den Motor anlassen.

### HINWEIS:

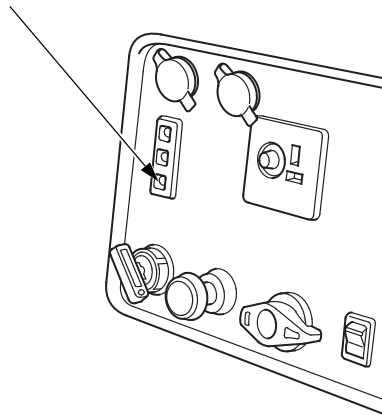
- Die Gleichstrom-Steckdose kann während eines Wechsellspannungsbetriebs verwendet werden.
- Wenn der DC-Stromkreis überlastet ist, wird der Gleichstrom-Schaltkreisschutz aktiviert (Drucktaste springt heraus). In diesem Falle einige Minuten lang warten, bevor der Schutzschalter hineingedrückt wird, um den Betrieb fortzusetzen.

## Ölwarnsystem

Das Ölwarnsystem verhindert Motorschäden, die durch eine nicht ausreichende Ölmenge im Kurbelgehäuse entstehen können. Bevor der Ölstand im Kurbelgehäuse unter die Sicherheitsgrenze fallen kann, stoppt das Ölwarnsystem den Motor automatisch (der Zündschalter verbleibt in der Position EIN).

Wenn der Motor durch das Ölwarnsystem abgestellt wird, geht die Ölwarnanzeige (rot) beim Betätigen des Starters an, und der Motor läuft nicht. Wenn dieser Fall eintritt, ist Motoröl nachzufüllen (siehe Seite 16).

**ÖLWARNANZEIGE (ROT)**

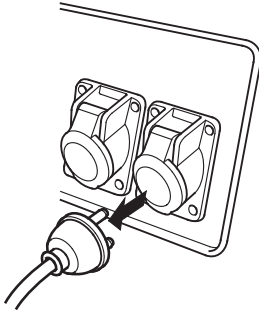


## 7. ABSTELLEN DES MOTORS

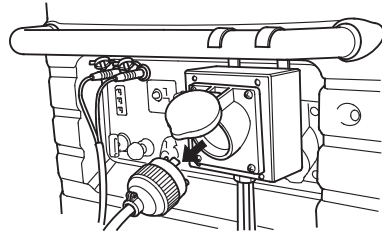
Um den Motor in einer Notsituation abzustellen, den Zündschalter auf die AUS-Position drehen.

### BEI NORMALEM BETRIEB:

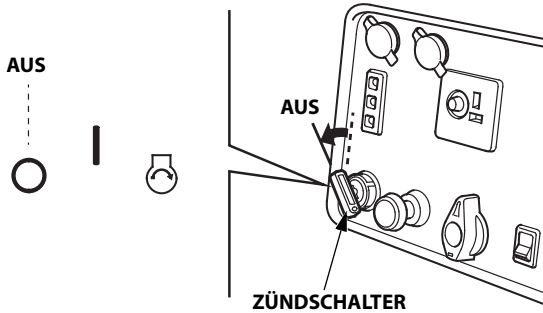
1. Das angeschlossene Gerät ausschalten und den Stecker abziehen.



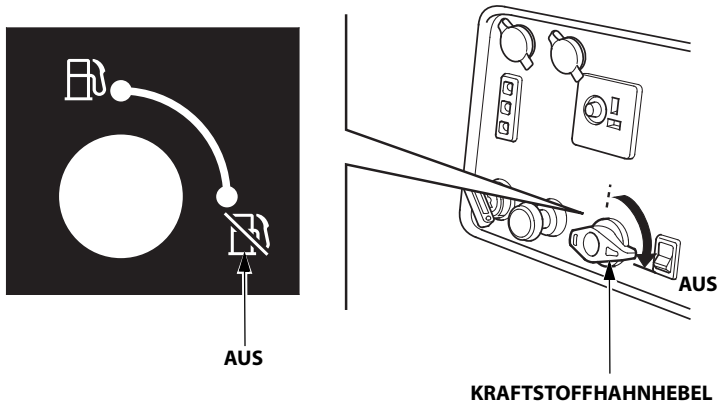
Bei Parallelbetrieb



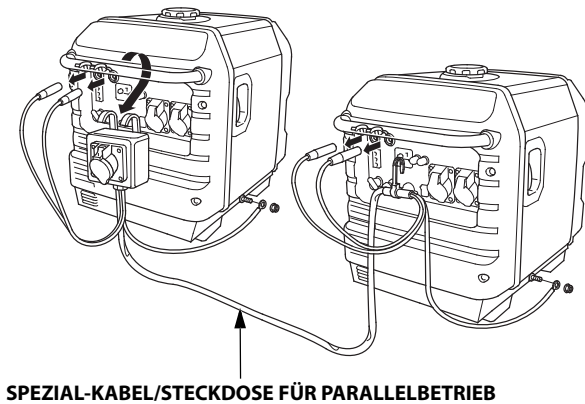
2. Den Zündschalter auf die AUS-Position stellen.



3. Den Kraftstoffhahnhebel auf AUS stellen.



4. Falls der Generator im Parallelbetrieb verwendet wurde, muss das für Parallelbetrieb vorgesehene Spezialkabel bzw. die Steckdose abgezogen werden.



Zweck des Wartungs- und Einstellplans ist es, den Generator in bestmöglichem Betriebszustand zu halten.

Überprüfungen oder Wartungsarbeiten sind entsprechend der unten stehenden Tabelle auszuführen.

## ▲ WARNUNG

**Bevor mit einer Wartungs- oder Reparaturarbeit begonnen wird, muss der Motor abgestellt sein. Damit können mögliche Gefahren ausgeschaltet werden:**

- **Kohlenmonoxid-Vergiftung durch die Motorabgase – Sorgen Sie immer für ausreichende Belüftung, wenn der Motor läuft.**
- **Verbrennungen durch heiße Teile – Lassen Sie den Motor und die Auspuffanlage abkühlen, bevor Sie entsprechende Teile anfassen.**
- **Verletzungen durch bewegliche Teile – Lassen Sie den Motor nur dann laufen, wenn Sie dazu angewiesen werden.**

**Der Auspufftopf wird während des Betriebs sehr heiß und bleibt auch nach dem Abstellen des Motors eine gewisse Zeit lang heiß. Darauf achten, den Auspufftopf in heißem Zustand nicht zu berühren. Vor einer Wartung den Motor abkühlen lassen.**

## VORSICHT:

**Verwenden Sie Original-Honda-Ersatzteile oder Teile gleichwertiger Qualität. Durch den Gebrauch von Ersatzteilen minderwertiger Qualität kann der Generator Schaden nehmen.**

## Wartungsplan

REGELMÄSSIGES WARTUNGSINTERVALL (3)		Bei jedem Einsatz	Erster Monat oder 20 Std.	Alle 3 Monate oder 50 Std.	Alle 6 Monate oder 100 Std.	Alle Jahr oder 300 Std.	Seite	
Position	Im angegebenen Monats- oder Betriebsstundenintervall (was zuerst eintritt) auszuführen.							
Motoröl	Stand prüfen	o					15	
	Wechseln		o		o		44	
Luftfilter	Prüfen	o					45	
	Reinigen			o (1)				
	Austauschen					o*		
Ablagerungsbecher	Reinigen				o		47	
Zündkerze	Prüfen - einstellen				o		49	
	Austauschen					o		
Ventilspiel	Prüfen - einstellen					o (2)	–	
Verbrennungskammer	Reinigen	Immer nach 500 Std. (2)						–
Kraftstofftank und -filter	Reinigen					o (2)	–	
Kraftstoffleitung	Prüfen	Alle 2 Jahre (gegebenenfalls austauschen) (2)						–

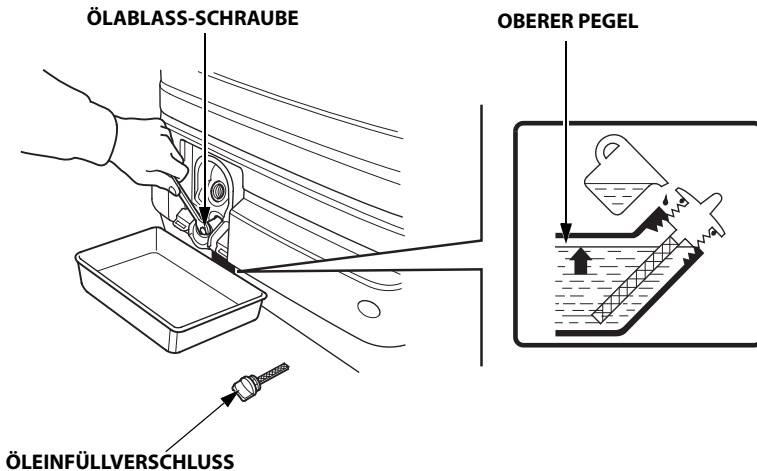
**HINWEIS:** \* Nur ein Papiereinsatz ist auszuwechseln.

- (1) Unter staubigen Bedingungen ist die Wartung häufiger durchzuführen.
- (2) Diese Wartungsarbeiten sollten von Ihrem Wartungshändler ausgeführt werden, es sei denn, Sie verfügen über die richtigen Werkzeuge und Sie sind technisch versiert. Beschreibungen der einzelnen Wartungsverfahren finden Sie im Honda-Werkstatt-Handbuch.
- (3) Bei kommerzieller Nutzung der Pumpe sind die Betriebsstunden zu notieren, um die korrekten Wartungsintervalle einzuhalten.

## 1. ÖLWECHSEL

Das Motoröl bei noch warmem Motor ablassen, um ein schnelles und vollständiges Herauslaufen zu gewährleisten.

1. Die Ölwartungsabdeckung öffnen und dann abnehmen.
2. Den Öleinfüllverschluss und die Ölabblass-Schraube losdrehen, um das Öl abzulassen.
3. Die Ölabblass-Schraube wieder anbringen und gut festziehen.  
**ANZUGSDREHMOMENT:** 18,0 N·m (1,8 kgf·m)
4. Empfohlenes Öl bis zur Obergrenze einfüllen (siehe Seite 15).  
**Motorölfüllmenge:** 0,55 l
5. Die Wartungsabdeckung wieder anbringen, schließen und verriegeln.



Nach dem Kontakt mit Altöl die Hände gründlich mit Wasser und Seife reinigen.

### HINWEIS:

Bei der Beseitigung des Altöls bitte die entsprechenden Umweltschutzbestimmungen beachten. Wir empfehlen, dass Sie das Altöl zu Ihrer örtlichen Tankstelle bringen. Das gebrauchte Motoröl nicht in den Abfall werfen oder auf den Boden gießen.

## 2. WARTUNG LUFTFILTER

Ein verschmutzter Luftfilter behindert den Zufluss von Ansaugluft zum Vergaser. Der Luftfilter muss regelmäßig gewartet werden, um eine Betriebsstörung des Vergasers zu vermeiden. Bei Betrieb in einer sehr staubigen Umgebung den Filter häufiger warten.

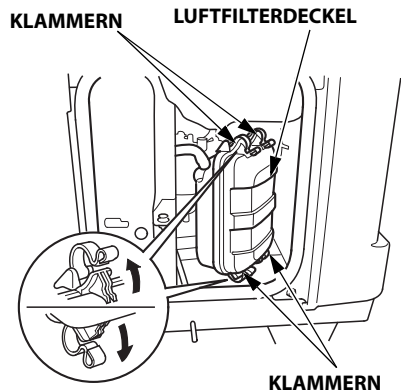
### ⚠ WARNUNG

**Niemals Benzin oder Reinigungslösungen mit niedrigem Entflammungspunkt zum Reinigen des Luftfiltereinsatzes verwenden. Ein Feuer oder eine Explosion könnte die Folge sein.**

### VORSICHT:

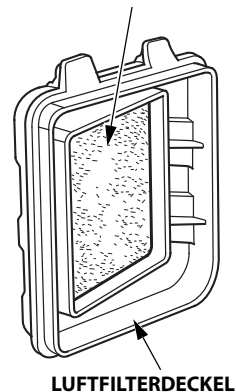
**Den Generator niemals ohne Luftfilter betreiben. Dies führt zu schnellem Motorverschleiß.**

1. Die linke Wartungsabdeckung öffnen.
2. Die Klammern lösen und den Luftfilterdeckel entfernen.



3. Schaumstoffeinsatz:
  - a. Den Schaumstoffeinsatz aus der Luftfilterabdeckung entfernen.
  - b. Den Schaumstoffeinsatz in einer Mischung aus warmem Wasser und Geschirrspülmittel waschen und gut ausdrücken. Der Einsatz kann auch in einem nichtbrennbaren oder schwer entzündlichen Lösungsmittel gereinigt werden. Der Schaumstoffeinsatz muss vor Wiederverwendung vollkommen getrocknet sein.

### SCHAUMSTOFFEINSATZ





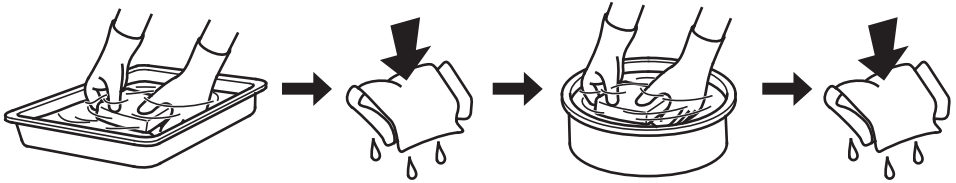
- c. Den Schaumstoffeinsatz in sauberes Motoröl tauchen und überschüssiges Öl ausdrücken. Wenn zu viel Öl im Schaumstoffeinsatz verbleibt, kommt es beim Starten zu verstärkter Rauchbildung.
- d. Den Schaumstoffeinsatz wieder in den Luftfilterdeckel einsetzen.

Reinigen

Drücken und trocknen  
Nicht drehen.

In Öl tauchen

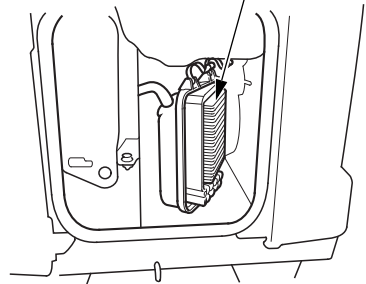
Drücken  
Nicht drehen.



#### 4. Papiereinsatz:

Wenn der Papiereinsatz verschmutzt ist, diesen durch eine neuen ersetzen. Der Papiereinsatz darf nicht gereinigt werden.

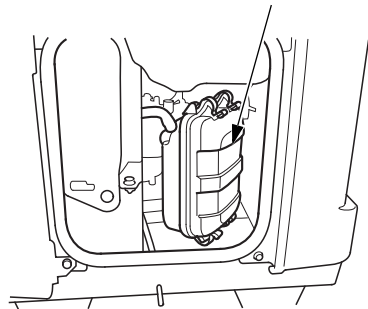
PAPIEREINSATZ



#### 5. Den Luftfilterdeckel wieder anbringen.

- 6. Die linke Wartungsabdeckung schließen und verriegeln.

LUFTFILTERDECKEL



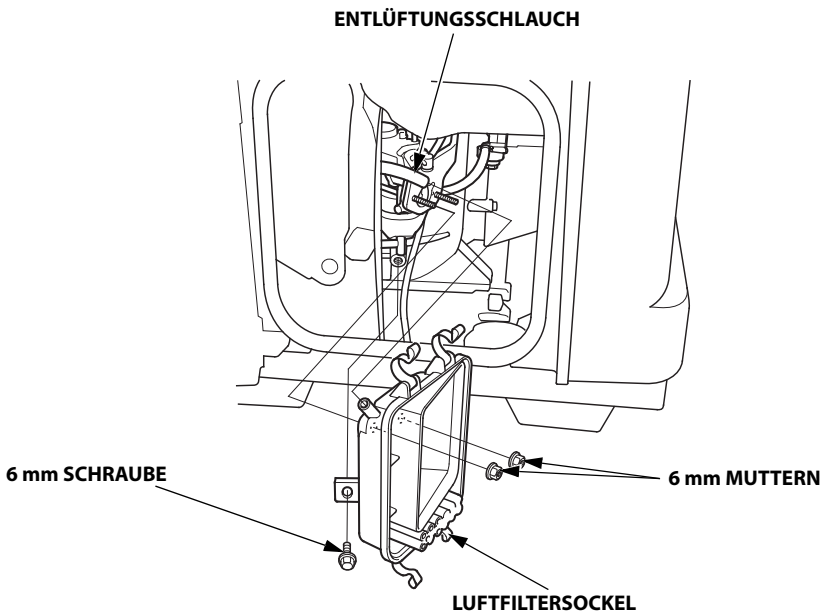
### 3. WARTUNG KRAFTSTOFFABLAGERUNGSBECHER

#### **⚠ WARNUNG**

**Benzin ist äußerst feuergefährlich und unter gewissen Bedingungen explosiv. Während dieser Arbeiten nicht rauchen; offene Flammen und Funken sind fernzuhalten.**

Der Ablagerungsbecher verhindert, dass etwaiger Schmutz oder Wasser vom Kraftstofftank in den Vergaser gelangt. Wenn der Motor längere Zeit stillgestanden hat, sollte der Filter gereinigt werden.

1. Den Zündschalter auf die AUS-Position stellen.
2. Den Kraftstoffhahnhebel auf AUS stellen.
3. Die linke Wartungsabdeckung öffnen.
4. Den Luftfilterdeckel und den Papiereinsatz entfernen (siehe Seiten 45 und 46).
5. Den Entlüftungsschlauch vom Luftfiltersockel abziehen.
6. Die 6 mm-Schraube und die beiden 6 mm-Muttern entfernen, dann den Luftfiltersockel ausbauen.

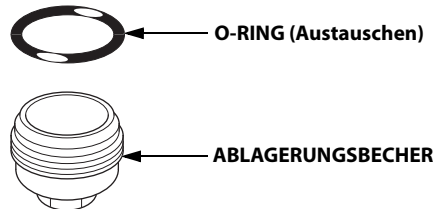
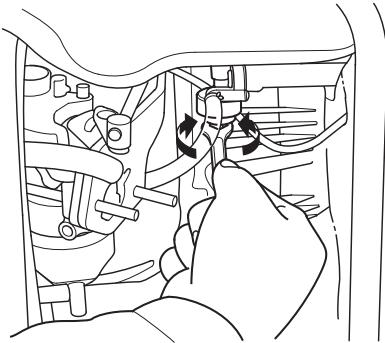


7. Den Ablagerungsbecher im Gegenuhrzeigersinn drehen und dann abnehmen.
8. Den Ablagerungsbecher in nicht flammbarem Lösungsmittel oder einem solchen hohen Flammpunkts reinigen.
9. Neuen O-Ring und Filterbecher wieder anbringen.
10. Den Kraftstoffhahnhebel auf EIN drehen und auf Undichtigkeit prüfen.

**⚠ WARNUNG**

**Nach dem Einbau des Ablagerungsbeckers diesen wieder gut festdrehen. Vor dem Anlassen des Motors auf Kraftstoffundichtigkeiten prüfen und sicherstellen, ob der Arbeitsbereich trocken ist.**

11. Den Luftfiltersockel einbauen, dann den Entlüftungsschlauch am Luftfiltersockel anbringen.
12. Den Papiereinsatz und den Luftfilterdeckel wieder einbauen.
13. Die linke Wartungsabdeckung schließen und verriegeln.



## 4. ZÜNDKERZENWARTUNG

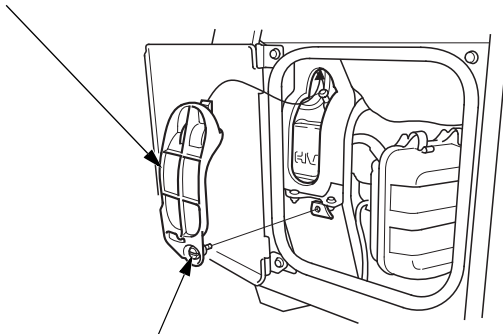
### EMPFOHLENE ZÜNDKERZEN:

BPR6ES (NGK), W20EPR-U (DENSO)

Um einwandfreien Motorbetrieb zu gewährleisten, muss die Zündkerze einen korrekten Elektrodenabstand haben und frei von Verbrennungsrückständen sein.

1. Die linke Wartungsabdeckung öffnen.
2. Die Schraube des Deckels lösen, dann die Zündkerzen-Prüfabdeckung abnehmen.

ZÜNDKERZEN-PRÜFABDECKUNG

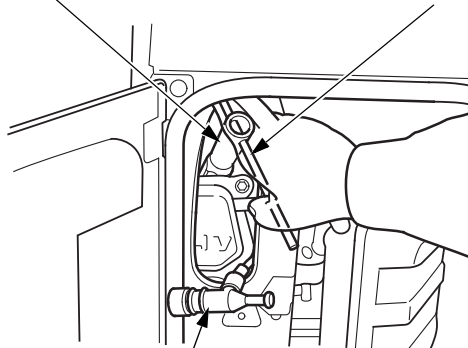


DECKELSCHRAUBE

3. Den Zündkerzenstecker entfernen.
4. Die Zündkerzenbasis von jeglichem Schmutz befreien.
5. Die Zündkerze mit einem Zündkerzenschlüssel losdrehen.

KERZENSCHLÜSSEL

LENKERSTANGE

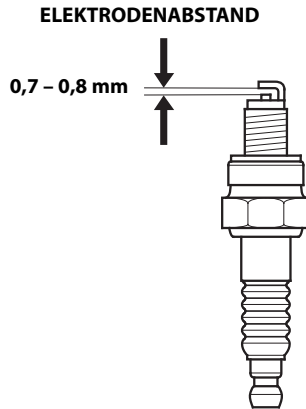


ZÜNDKERZENSTECKER

- Die Zündkerze einer Sichtprüfung unterziehen. Entsorgen, wenn der Isolator Risse oder Absplitterungen aufweist bzw. sonst beschädigt ist. Wenn die Zündkerze wieder verwendet werden soll, sie mit einer Drahtbürste reinigen.
- Den Elektrodenabstand mit einer Fühlerlehre messen.  
Durch Biegen der Seitenelektrode den korrekten Abstand herstellen.

**Erforderlicher Elektrodenabstand:**

0,7 – 0,8 mm



- Schrauben Sie die Zündkerze von Hand ein, um eine Gewindeüberschneidung zu vermeiden.
- Nachdem die Zündkerze aufsitzt, sie mit einem Zündkerzenschlüssel 1/2 Umdrehung anziehen, um den Dichtring zusammenzudrücken.  
Wenn eine gebrauchte Zündkerze wieder verwendet wird, so ist diese nach dem Aufsitzen nur um eine weitere 1/8 bis 1/4 Drehung nachzuziehen.

**ANZUGSDREHMOMENT:** 18,0 N·m (1,8 kgf·m)

- Die Zündkerzen-Prüfabdeckung wieder anbringen und die Schraube des Dekkels festziehen.
- Die linke Wartungsabdeckung schließen und verriegeln.

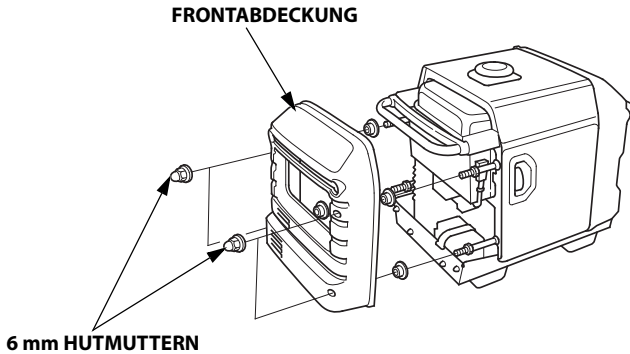
**VORSICHT:**

- Die Zündkerze muss sicher angezogen werden. Eine nicht richtig angezogene Zündkerze kann sehr heiß werden und möglicherweise den Generator beschädigen.
- Niemals eine Zündkerze mit einem anderen Wärmewert verwenden.

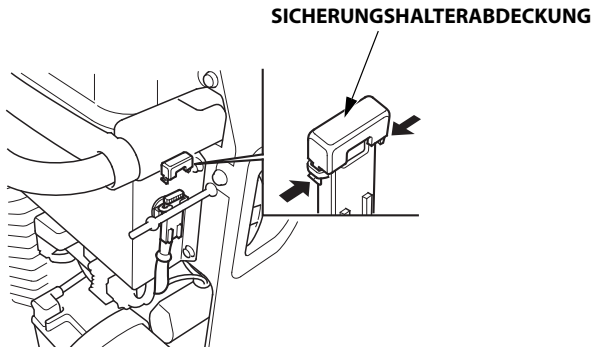
## 5. ERSETZEN DER SICHERUNG

Wenn die Sicherung durchgebrannt ist, funktioniert der Anlasser nicht mehr; in diesem Fall muss die Sicherung ersetzt werden.

1. Den Zündschalter auf die AUS-Position stellen.
2. Die vier 6 mm-Hutmuttern entfernen, dann die vordere Abdeckung abnehmen.



3. Den Deckel des Sicherungshalters abnehmen und die Sicherung ersetzen.  
Vorgeschriebene Sicherung: 5 A



### VORSICHT:

- Wenn die Sicherung häufig durchbrennt, ist die Ursache zu ermitteln und das Problem vor weiterer Inbetriebnahme des Generators zu korrigieren.
- Niemals eine Sicherung verwenden, die nicht den vorgeschriebenen Spezifikationen entspricht. Bei Nichtbefolgung kann es zu einem schweren Schaden in der elektrischen Anlage kommen bzw. ein Brand ausgelöst werden.

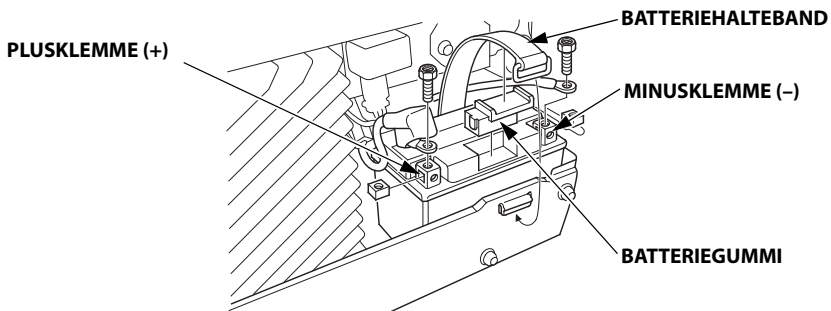
## 6. AUS-/EINBAU DER BATTERIE

### ⚠ WARNUNG

- **Batterien erzeugen explosive Gase:** bei Entzündung kann eine Explosion ernsthafte Verletzungen einschließlich Erblindungen verursachen. Beim Laden für ausreichende Belüftung sorgen.
- **GEFAHR DURCH CHEMISCHEN STOFF:** Batterieelektrolyt enthält Schwefelsäure.  
Kontakt mit den Augen oder der Haut, selbst durch Kleidungsstücke hindurch, kann zu ernsthaften Verätzungen führen. Gesichtsschutz und Schutzkleidung tragen.
- **Offenes Feuer und Funken fernhalten und nicht in Batterienähe rauchen.**  
**GEGENMITTEL:** Wenn Batteriesäure in Ihre Augen gelangt, mit warmem Wasser für wenigstens 15 Minuten ausspülen und danach sofort einen Arzt aufsuchen.  
**GIFT:** Batteriesäure ist giftig.
- **GEGENMITTEL**
  - **Äußerlich:** Reichlich mit Wasser abspülen.
  - **Innerlich:** Große Mengen von Wasser oder Milch trinken.  
Danach Magnesiamilch oder Pflanzenöl zu sich nehmen und unverzüglich einen Arzt aufsuchen.
- **AUSSERHALB DER REICHWEITE VON KINDERN HALTEN.**

### Ausbau:

1. Den Zündschalter auf die AUS-Position stellen.
2. Die vier 6 mm-Hutmuttern entfernen, dann die vordere Abdeckung abnehmen. (siehe Seite 51)
3. Das Batteriehalteband entfernen.
4. Zuerst das Batterie-Minuskabel (-), dann das Batterie-Pluskabel (+) von den Batteriepolen abklemmen.



5. Batterie und Batteriegummi vom Batteriefach abnehmen.

---

### Einbau:

1. Sicherstellen, dass der Zündschalter ausgeschaltet ist (AUS).
2. Das Pluskabel (+) an den Pluspol (+) der Batterie und das Minuskabel (-) an den Minuspol (-) der Batterie anschließen. Danach die Schrauben und Muttern gut festziehen.
3. Das Batteriegummi und das Batteriehalteband anbringen.
4. Die vordere Abdeckung anbringen und die vier 6 mm-Hutmutter aufschrauben.

### VORSICHT:

**Beim Abklemmen der Batteriekabel immer mit dem Minuskabel (-) beginnen. Beim Anschließen der Batteriekabel zuerst das Pluskabel (+), dann das Minuskabel (-) anbringen. Die Batteriekabel niemals in der falschen Reihenfolge anbringen, da dadurch bei Berührung mit einem Werkzeug ein Kurzschluss ausgelöst wird.**



Dieses Symbol auf der Batterie weist darauf hin, dass dieses Produkt nicht mit dem Hausmüll entsorgt werden darf.

### HINWEIS:

Eine nicht ordnungsgemäß entsorgte Batterie kann schädlich für Umwelt und Gesundheit sein.

Halten Sie sich beim Entsorgen von Batterien stets an örtlich geltende Vorschriften.



## 9. TRANSPORT/LAGERUNG

Um ein Verschütten von Kraftstoff beim Transportieren oder zeitweisen Verstauen des Generators zu vermeiden, muss dieser aufrecht in normaler Betriebsposition bei auf AUS stehendem Zündschalter gesichert werden. Der Kraftstoffhahnhebel muss dabei auf AUS stehen.

### ⚠ WARNUNG

#### Hinweise zum Transport des Generators:

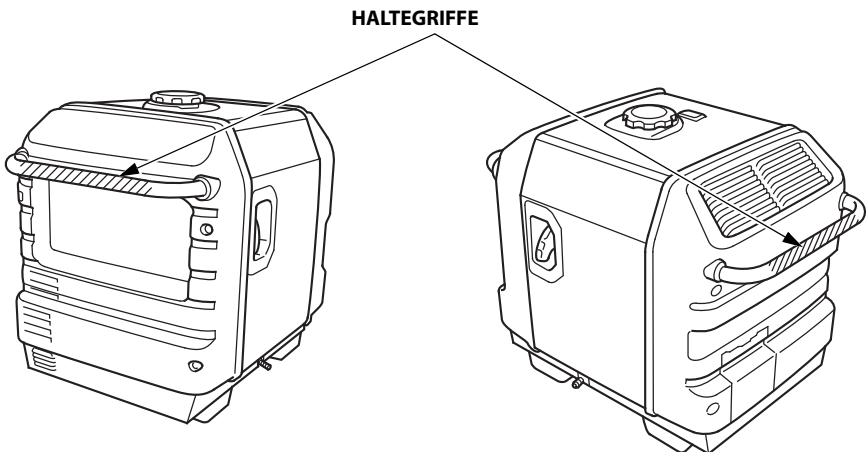
- **Darauf achten, dass der Kraftstofftank nicht überfüllt wird.**
- **Der Generator darf nicht betrieben werden, wenn er sich auf einem Fahrzeug befindet. Für den Einsatz muss der Generator abgeladen und in einer gut belüfteten Umgebung aufgestellt werden.**
- **Wenn der Generator in einem Fahrzeug verstaut wird, darf dieses nicht in der prallen Sonne stehen gelassen werden. Wenn der Generator längere Zeit in einem geschlossenen Fahrzeug verbleibt, kann die Temperatur so hoch ansteigen, dass der Kraftstoff verdunstet und eine Explosion verursacht.**
- **Den Generator nicht für längere Zeit über schlechte Wegstrecken transportieren. Wenn ein Transport auf unebenen Straßen unvermeidlich ist, muss vorher der Kraftstoff abgelassen werden.**

#### HINWEIS:

Den Generator zum Anheben zusammen mit Helfern am Halteteil anfassen (schraffierte Bereiche in der Abbildung unten).

Gemäß EUROPÄISCHER NORM EN ISO 8528-13

*Die ca. 140 kg wiegende Generatoreinheit sollte bei Bedarf von 4 Personen getragen werden.*



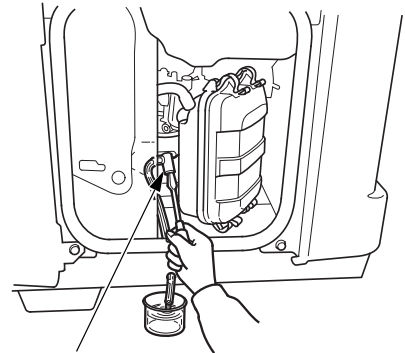
Vor einer Langzeitlagerung:

1. Sich vergewissern, dass der für die Lagerung vorgesehene Ort trocken und staubfrei ist.
2. Den Kraftstoff ablassen.

**▲ WARNUNG**

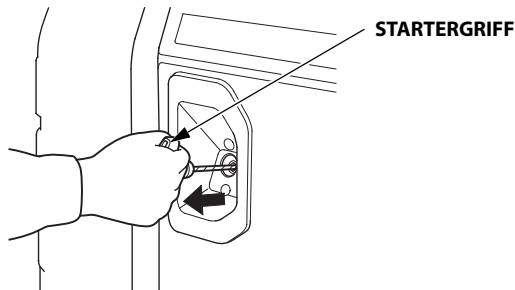
**Benzin ist äußerst feuergefährlich und unter gewissen Bedingungen explosiv. Diese Arbeiten müssen in einem gut belüfteten Raum sowie bei abgestelltem Motor erfolgen. Während dieser Arbeiten nicht rauchen; offene Flammen und Funken sind fernzuhalten.**

- a. Die linke Wartungsabdeckung öffnen.
- b. Den Kraftstoffhahn-Hebel auf EIN stellen, dann die Ablassschraube des Vergasers lösen. Den Kraftstoff aus dem Vergaser und dem Kraftstofftank in einen geeigneten Behälter ablassen.
- c. Die Ablass-Schraube des Vergasers wieder festziehen, den Kraftstoffhahn auf AUS stellen und die linke Wartungsabdeckung wieder schließen.



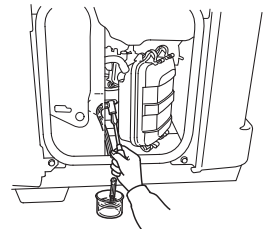
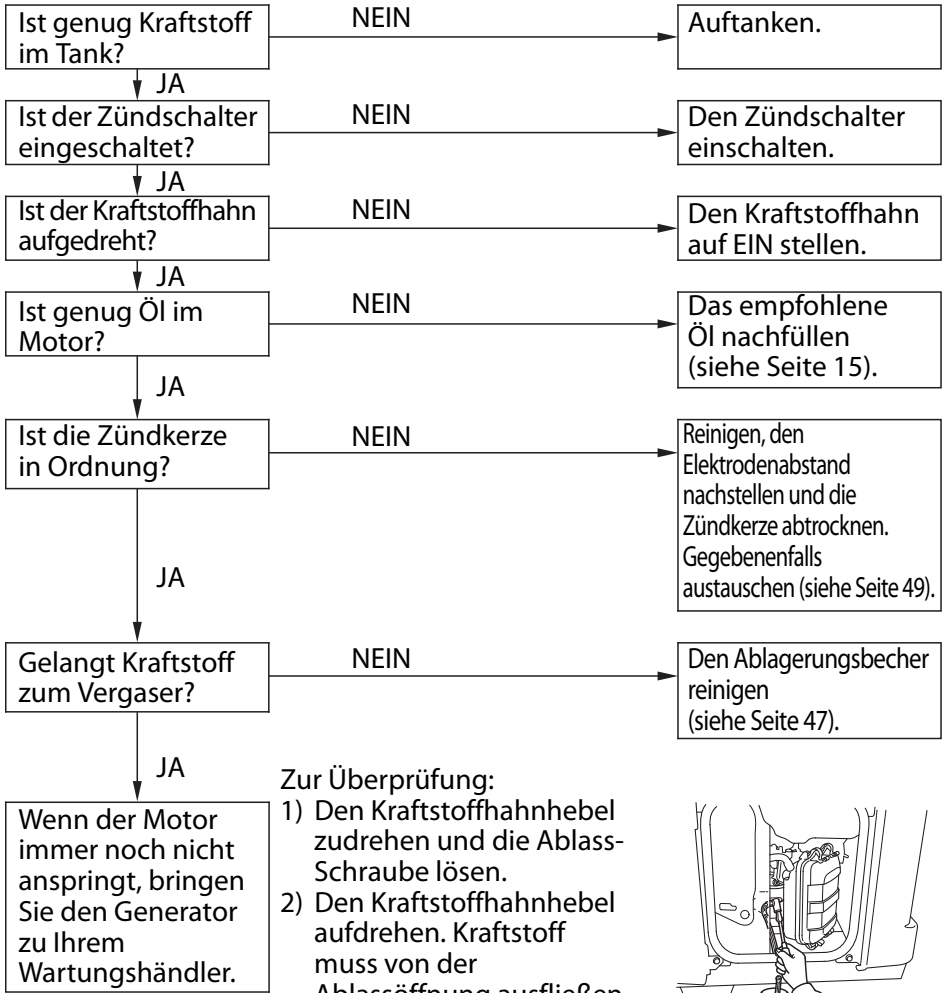
**ABLASS-SCHRAUBE**

3. Die Batterie muss einmal in Monat nachgeladen werden.
4. Das Motoröl wechseln.
5. Die Zündkerze herausdrehen und etwa einen Esslöffel sauberes Motoröl in den Zylinder gießen. Den Motor mehrmals durchdrehen, um das Öl zu verteilen und die Zündkerze wieder einschrauben.
6. Den Startergriff ziehen, bis ein Widerstand verspürt wird. In diesem Zustand führt der Kolben den Kompressionshub aus, und die Einlass- und Auslassventile sind geschlossen. Eine Lagerung des Motors in dieser Stellung bewirkt, dass das Innere des Motors besser vor Korrosion geschützt ist.



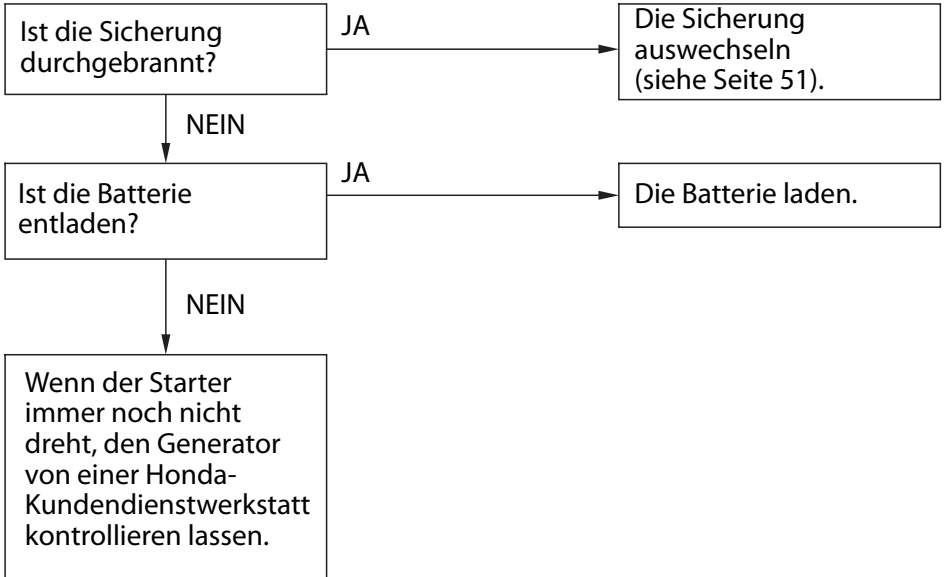
# 10. FEHLERSUCHE

Wenn der Motor nicht anspringt:

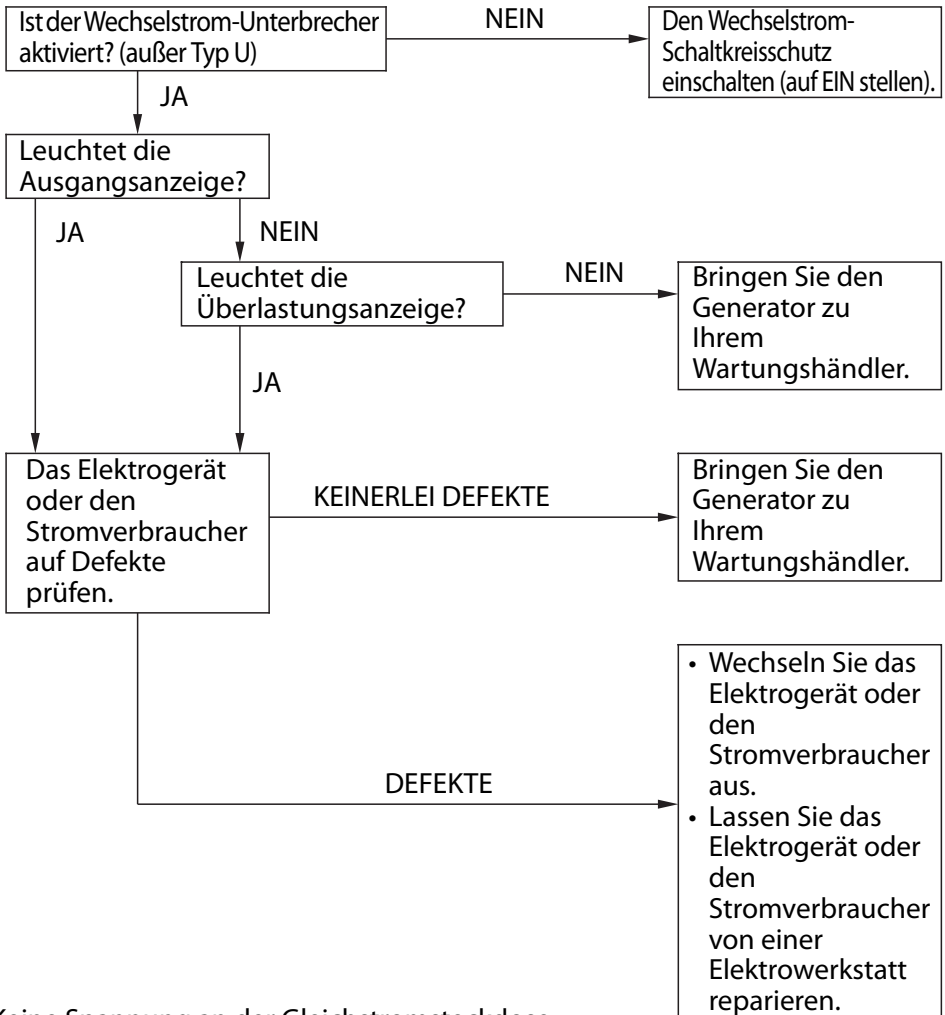


---

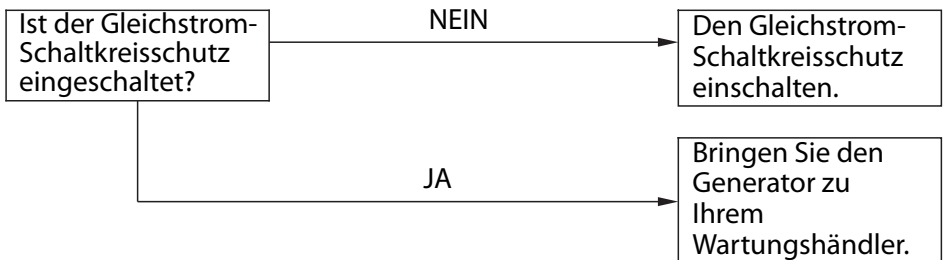
Der Starter dreht nicht:



Das Gerät funktioniert nicht:



Keine Spannung an der Gleichstromsteckdose:



## Abmessungen und Gewichte

Modell		EU30is1
Codebezeichnung		EZGF
Länge	(Standtyp)	658 mm
	(fahrbar)	658 mm
Breite	(Standtyp)	447 mm
	(fahrbar)	482 mm
Höhe	(Standtyp)	558 mm
	(fahrbar)	570 mm
Trockenmasse (Gewicht)	(Standtyp)	59,0 kg
	(fahrbar)	61,2 kg

## Motor

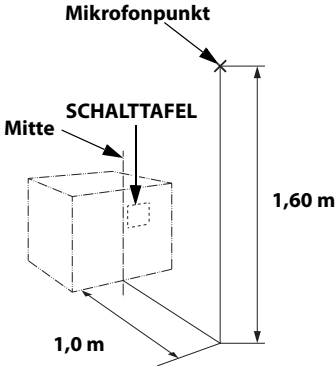
Modell		GX200T2
Motor		4-Takt, OHV, Einzylinder
Hubraum		196 cm <sup>3</sup>
Bohrung × Hub		68,0 × 54,0 mm
Verdichtungsverhältnis		8,5:1
Motordrehzahl		2.500 – 3.800 min <sup>-1</sup> 3.500 – 3.800 min <sup>-1</sup> (bei ausgeschalteter Eco-Drosselklappe)
Kühlsystem		Gebläsekühlung
Zündsystem		Transistor Magnetzündung
Ölmenge		0,55 l
Kraftstofftankinhalt		13,0 l
Zündkerze		BPR6ES (NGK) W20EPR-U (DENSO)
Batterie		12 V 8,6 Ah / 10 HR
Kohlendioxidemissionen (CO <sub>2</sub> )*		Siehe "CO <sub>2</sub> -Informationsliste" auf <a href="http://www.honda-engines-eu.com/co2">www.honda-engines-eu.com/co2</a>

\* Die CO<sub>2</sub>-Messung ist das Ergebnis der Prüfung eines für den Motortyp (die Motorfamilie) repräsentativen (Stamm-)Motors über einen festgelegten Prüfzyklus hinweg unter Laborbedingungen und weder impliziert noch garantiert sie die Leistung eines bestimmten Motors.

## Generator

Modell		EU30is1
Typ		F, G, GW1, B
Wechselstromausgang	Nennspannung (V)	230
	Nennfrequenz (Hz)	50
	Nennstärke (A)	12,2
	Nennleistung (kVA)	2,8
	Max. Leistung (kVA)	3,0
Nennleistung Gleichstrom		Nur für 12 V Autobatterien. 12 V, 12 A

## Geräusch

Modell	EU30is1
Typ	F, G, GW1, B
Schall-Leistungspegel am Arbeitsbereich (2006/42/EC)	74 dB (A) (bei eingeschalteter Eco-Drosselklappe)
 <p>Mikrofonpunkt</p> <p>SCHALTTAFEL</p> <p>Mitte</p> <p>1,60 m</p> <p>1,0 m</p>	
Abweichung	2 dB (A)
Gemessener Geräuschpegel (2000/14/EC, 2005/88/EC)	89 dB (A) (bei eingeschalteter Eco-Drosselklappe)
Abweichung	2 dB (A)
Garantierter Geräuschpegel (2000/14/EC, 2005/88/EC)	91 dB (A) (bei eingeschalteter Eco-Drosselklappe)

"Bei den angegebenen Werten handelt es sich um Emissionspegel, die nicht unbedingt als sichere Arbeitspegel zu betrachten sind. Obwohl eine Korrelation zwischen Emissions- und Expositionspegeln besteht, kann auf dieser Grundlage keine zuverlässige Entscheidung darüber getroffen werden, ob weitere Vorsichtsmaßnahmen erforderlich sind oder nicht. Faktoren, die den tatsächlichen Expositionspegel der Arbeitskraft beeinflussen, umfassen die Eigenschaften des Arbeitsraums und andere Geräuschquellen, wie z. B. durch die Anzahl der Maschinen und andere in der Nähe ablaufende Prozesse bedingt, sowie die Zeitdauer, während der eine Bedienungsperson dem Geräusch ausgesetzt ist. Der zulässige Expositionspegel kann auch von Land zu Land verschieden sein. Diese Informationen ermöglichen es dem Benutzer der Maschine jedoch, die vorliegenden Gefahren und Risiken besser einzuschätzen."

### HINWEIS:

Die technischen Daten können ohne vorherige Ankündigung geändert werden.

## INDEX

(siehe Innenseite der hinteren Abdeckung)

EU30is: Typen G, GW1, B, F .....W-1

## ABKÜRZUNGEN

<b>Symbol</b>	<b>Teilename</b>	<b>Symbol</b>	<b>Teilename</b>
ACCP	Wechselstrom-Schaltkreisschutz	PL	Ausgangsanzeige
ACNF	Wechselstrom-Geräuschfilter	POR	Parallelbetrieb
ACOR	Wechselstrom- Ausgangssteckdose	Reg	Steckdose
Bat	Batterie	SP	Regler
ChW	Ladewicklung	StM	Zündkerze
CPB	Schaltafelblock	StpM	Startermotor
CPG	Schaltafelmasse	StR	Schrittmotor
CSw	Kombinationsschalter	SW	Starterrelais
DCCP	Gleichstrom-Schaltkreisschutz		Nebenwicklung
DCD	Gleichstrom-Diode	<b>KABELFARBENCODE</b>	
DCNF	Gleichstrom-Geräuschfilter	Bl	SCHWARZ
DCOR	Gleichstrom-Ausgangssteckdose	Y	GELB
DCW	Gleichstromwicklung	Bu	BLAU
EcoSw	Eco-Drosselklappenschalter	G	GRÜN
EgB	Motorblock	R	ROT
EgG	Motormasse	W	WEISS
ESw	Zündschalter	Br	BRAUN
FB	Rahmenblock	Lg	HELLGRÜN
FU	Sicherung	Gr	GRAU
GeB	Generatorblock	Lb	HELLBLAU
GT	Masseklemme	O	ORANGE
ICU	Zündsteuergerät	P	ROSA
IgC	Zündspule		
IU	Wandler		
MW	Hauptwicklung		
OAL	Ölwarnanzeige		
OI	Überlastungsanzeige		
OLSw	Ölstandschalter		



## SCHALTERANSCHLÜSSE

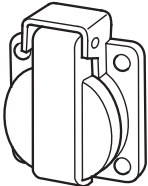
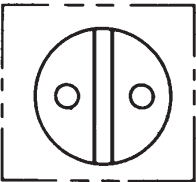
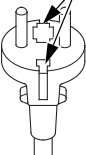
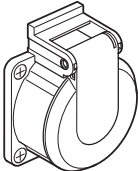
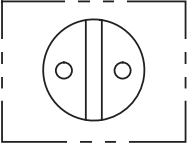
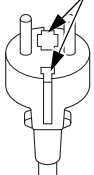
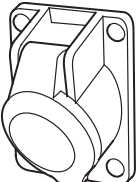
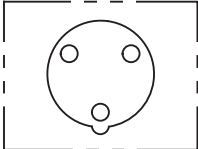
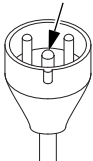
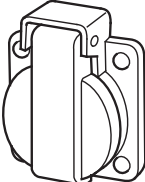
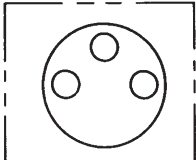
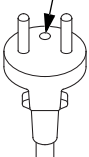
### KOMBINATIONSSCHALTER

	IG	E	BAT	ST	FS	G
AUS	○	○			○	○
EIN						
START			○	○		

### ECO-DROSSELKLAPPENSCHALTER

	BI/R	G/W	ECO-DROSSELKLAPPE
EIN	○	○	AUS
AUS			EIN

## STECKDOSE

Typ	Form		Stopfen
G			<p data-bbox="860 225 981 245"><b>MASSESTIFT</b></p> 
GW1			<p data-bbox="866 437 987 458"><b>MASSESTIFT</b></p> 
B			<p data-bbox="860 649 981 670"><b>MASSESTIFT</b></p> 
F			<p data-bbox="860 861 981 882"><b>MASSESTIFT</b></p> 

---

## NOTIZEN

**Honda EU30is**

**MANUAL DEL PROPIETARIO**  
Manual original





---

Le agradecemos la adquisición de este generador Honda.

Este manual abarca la operación y el mantenimiento del generador EU30is.

Toda la información contenida en esta publicación está basada en la última información del producto, disponible en el momento de la impresión.

Honda Motor Co., Ltd. se reserva el derecho a realizar cambios en cualquier momento sin previo aviso y sin incurrir en ninguna obligación.

Ninguna parte de esta publicación puede reproducirse sin permiso por escrito.

Este manual deberá considerarse como una parte permanente del generador y debe permanecer con él si se lo vende.

Prestar atención especial a las marcas siguientes:

**⚠ ADVERTENCIA** Indica una fuerte posibilidad de severos daños personales o aun fatales si no se siguen las instrucciones.

**ATENCIÓN:** Indica la posibilidad de daños personales o del equipo si no se siguen las instrucciones.

NOTA: Ofrece información de utilidad.

Si acontece algún problema, o si tiene alguna pregunta acerca del generador, consulte a su distribuidor autorizado de Honda.

**⚠ ADVERTENCIA**

**El generador Honda está diseñado para proporcionar un servicio seguro y fiable si se opera de acuerdo con las instrucciones. Lea y entienda el Manual del propietario antes de operar el generador. Si no lo hace así, podrían ocasionarse lesiones corporales o desperfectos en el equipo.**

Las ilustraciones pueden variar dependiendo del tipo.

# ÍNDICE

---

1. INSTRUCCIONES DE SEGURIDAD .....	3
2. SITUACIÓN DE LAS ETIQUETAS DE SEGURIDAD .....	7
• Ubicación de la marca CE y de la etiqueta sobre el ruido .....	10
3. IDENTIFICACIÓN DE COMPONENTES .....	11
4. COMPROBACIONES PREVIAS ANTES DEL USO .....	15
5. ARRANQUE DEL MOTOR .....	20
• Operación en altitudes elevadas .....	26
6. USO DEL GENERADOR.....	27
7. PARADA DEL MOTOR .....	41
8. MANTENIMIENTO.....	43
9. TRANSPORTE/ALMACENAJE .....	54
10.RESOLUCIÓN DE PROBLEMAS.....	56
11.ESPECIFICACIONES.....	59
12.DIAGRAMA DE CONEXIONES.....	61
CONEXIONES DE INTERRUPTORES .....	62
RECEPTÁCULO .....	63
DIRECCIONES DE LOS PRINCIPALES CONCESIONARIOS Honda .....	Dentro de cubierta trasera
DESCRIPCIÓN GENERAL DEL CONTENIDO DE LA "Declaración de Conformidad CE" .....	Dentro de cubierta trasera

# 1. INSTRUCCIONES DE SEGURIDAD

---

## **INFORMACIÓN DE SEGURIDAD IMPORTANTE**

Los generadores Honda están diseñados para su empleo con equipos eléctricos que cumplan los requisitos adecuados de alimentación eléctrica. Otras aplicaciones pueden ocasionar lesiones al operador o daños en el generador y en otros sitios.

La mayor parte de lesiones o daños materiales pueden evitarse si se siguen todas las instrucciones de este manual y del generador. Los peligros más comunes se mencionan a continuación, junto con la mejor forma de protección propia y de los demás.

No intente nunca modificar el generador. Podría causar un accidente y daños en el generador y en otros aparatos. La manipulación del motor anula la homologación de tipo de la UE de este motor.

- No conecte una extensión al silenciador.
- No modifique el sistema de admisión.
- No ajuste el regulador.
- No extraiga el panel de control ni efectúe cambios en las conexiones del panel de control.

## **Responsabilidades del operador**

Aprenda a parar con rapidez el generador en caso de emergencia.

Comprenda el empleo de todos los controles del generador, receptáculos de salida, y conexiones.

Asegúrese de que todas las personas que empleen el generador hayan recibido la formación apropiada. No permita a los niños que operen el generador sin supervisión paterna.

Observe sin falta las instrucciones de este manual sobre el modo de empleo del generador y la información sobre el mantenimiento. Si se ignoran o se siguen incorrectamente las instrucciones, puede ocasionarse un accidente (por ejemplo una descarga eléctrica) y puede deteriorarse el estado de los gases de escape.

Observe todas las leyes y reglamentaciones aplicables en el lugar de utilización del generador.

La gasolina y el aceite son tóxicos. Siga las instrucciones proporcionadas por cada fabricante antes de su empleo.

Ponga el generador en un lugar firme y nivelado antes de la operación.

No opere el generador cuando alguna de las tapas esté desmontada. Podría pillarse una mano o un pie en el generador y sufrir un accidente.

Para llevar a cabo el desmontaje y el servicio del generador que no se describe en este manual, consulte a su concesionario Honda autorizado.



---

## **Peligros del monóxido de carbono**

Los gases de escape contienen monóxido de carbono venenoso, que es un gas incoloro e inodoro. Si se aspiran los gases de escape pueden ocasionar la pérdida del conocimiento y pueden causar la muerte.

Si pone en marcha el generador en lugares cerrados, o incluso en lugares parcialmente cerrados, es posible que el aire que usted respire contenga una cantidad peligrosa de gases de escape.

No ponga nunca en marcha el generador dentro de un garaje, de una casa ni cerca de puertas o ventanas abiertas.

## **Peligros de descargas eléctricas**

El generador produce suficiente energía eléctrica como para causar descargas eléctricas graves o electrocución si se utiliza indebidamente.

El empleo de un generador o de un aparato eléctrico en condiciones mojadas, como pueda ser bajo la lluvia o nieve, o cerca de una piscina o de un sistema de riego con rociador, puede ocasionar electrocución.

Mantenga seco el generador.

Si el generador se almacena al aire libre, desprotegido contra la intemperie, compruebe siempre todos los componentes eléctricos del panel de control antes de utilizarlo. La humedad o el hielo pueden causar un mal funcionamiento o cortocircuitos en los componentes eléctricos, lo que podría ocasionar una electrocución.

Si recibe una descarga eléctrica, consulte a un médico y solicite inmediatamente tratamiento médico.

---

## **Peligros de incendios y quemaduras**

No emplee el generador en lugares en los que exista peligro de incendio.

El sistema de escape se calienta lo suficiente como para encender ciertos materiales.

- Mantenga el generador por lo menos a 1 metro de distancia de edificios y de otros equipos durante la operación.
- No encierre el generador en ninguna estancia.
- Mantenga los materiales inflamables apartados del generador.

Algunas partes del motor de combustión interna se calientan y pueden causar quemaduras. Ponga atención a las advertencias del generador.

El silenciador se calienta mucho durante la operación, y sigue caliente durante cierto tiempo después de haber parado el motor. Tenga cuidado y no toque el silenciador mientras esté caliente. Deje que se enfríe el motor antes de almacenar el generador en un local cerrado.

En el caso de producirse fuego, no rocíe agua directamente al generador para apagarlo. Emplee un extintor de incendios apropiado que esté especialmente diseñado para fuegos eléctricos o de carburantes.

Si ha inhalado el humo producido por un incendio accidental con el generador, consulte a un médico y solicite inmediatamente tratamiento médico.

## **Reposte con cuidado**

La gasolina es extremadamente inflamable y los vapores de la gasolina pueden explotar.

Deje que el motor se enfríe si el generador ha estado funcionando.

Reposte sólo en exteriores en un lugar bien ventilado con el motor parado.

No reposte durante el funcionamiento.

No llene excesivamente el depósito de combustible.

No fume nunca cerca de la gasolina, y manténgala apartada del fuego y las chispas.

Guarde siempre la gasolina en un recipiente homologado.

Asegúrese de haber retirado con un trapo y limpiado el combustible que se haya derramado antes de poner en marcha el motor.

---

## **A prueba de explosión**

Este generador no cumple con la calificación de equipo a prueba de explosión.

## **Eliminación**

Para proteger el medio ambiente, no tire el generador, la batería, el aceite del motor, etc. usados en los puntos de recogida de basura.

Siga las leyes y regulaciones de su localidad o consulte a un concesionario de generadores Honda autorizado cuando deba tirar dichas piezas.

Tire el aceite de motor usado de forma que sea compatible con el medio ambiente. Le sugerimos que lo guarde en un recipiente sellado y lo lleve a la gasolinera más cercana para su reciclaje. No lo tire a la basura ni al suelo.

La eliminación inadecuada de la batería puede dañar el medio ambiente. Para su eliminación, confirme siempre las regulaciones locales. Para su reemplazo, póngase en contacto con su concesionario de servicio.

## **ELIMINACIÓN DEL GENERADOR**

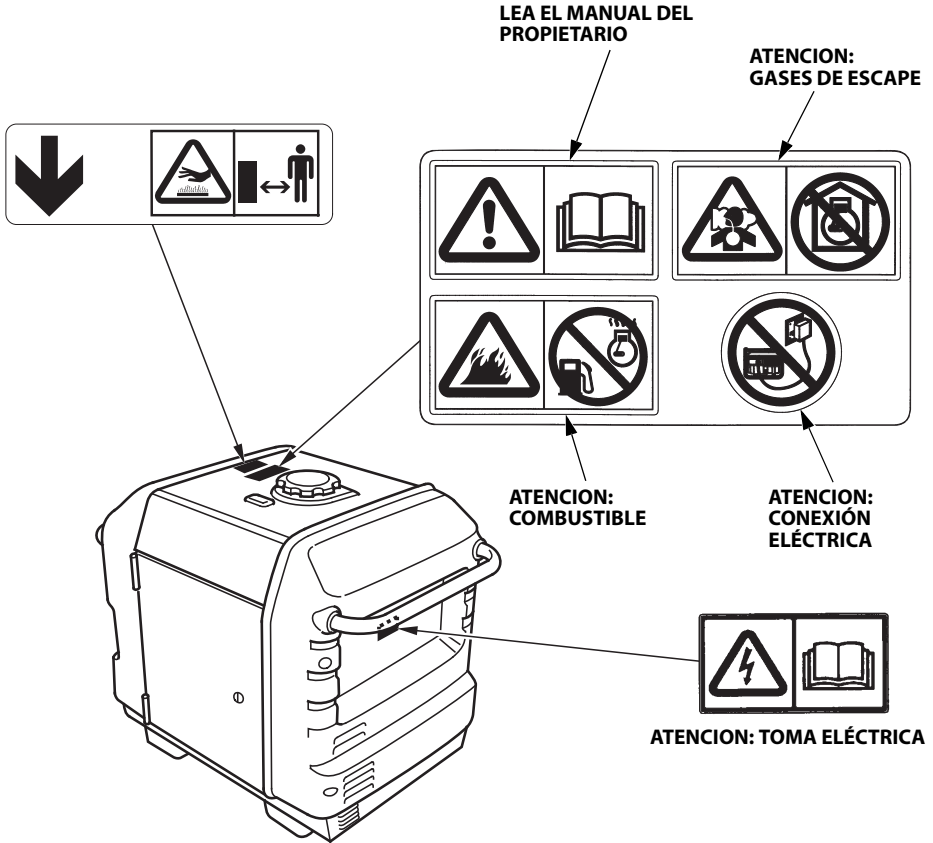


No tire equipos eléctricos con la basura doméstica. Si la eliminación de aparatos eléctricos se realiza en un vertedero, las sustancias que contienen pueden derramarse, reaccionar y entrar en contacto con la cadena alimenticia, dañando su salud y bienestar. Para obtener más información sobre la eliminación de este producto, póngase en contacto con su concesionario o el servicio de recogida de basuras domésticas más cercano.

## 2. SITUACIÓN DE LAS ETIQUETAS DE SEGURIDAD

Estas etiquetas le avisan sobre peligros potenciales que pueden ocasionar lesiones graves. Lea con atención las etiquetas y notas de seguridad así como las precauciones descritas en este manual.

Si una de estas etiquetas se despegó o si resulta difícil de leer, solicite su reemplazo a su concesionario de servicio.





- **El generador Honda está diseñado para proporcionar un servicio seguro y fiable si se opera de acuerdo con las instrucciones. Lea y entienda el Manual del propietario antes de operar el generador. Si no lo hace así, podrían ocasionarse lesiones corporales o desperfectos en el equipo.**



- **Los gases de escape contienen monóxido de carbono venenoso, que es un gas incoloro e inodoro. Respirar monóxido de carbono puede ocasionar la pérdida del conocimiento y provocar la muerte.**
- **Si pone en marcha el generador en lugares cerrados, o incluso en lugares parcialmente cerrados, es posible que el aire que usted respire contenga una cantidad peligrosa de gases de escape.**
- **No ponga nunca en marcha el generador dentro de un garaje, de una casa ni cerca de puertas o ventanas abiertas.**



- **Las conexiones inadecuadas en el sistema eléctrico de un edificio pueden permitir que la corriente del generador se realimente a la red principal de suministro eléctrico. Este tipo de realimentación puede electrocutar a los operarios de la compañía de electricidad o a otras personas que entren en contacto con las líneas de transmisión durante una suspensión del suministro, y el generador podría explotar, quemarse u ocasionar un incendio al restaurarse el suministro eléctrico. Consulte a la compañía suministradora de electricidad o a un electricista cualificado antes de efectuar conexiones eléctricas.**



- **La gasolina es muy inflamable y explosiva. Pare el motor y espere a que se enfríe antes de repostar.**



- **El sistema de escape puede causar quemaduras graves cuando esté caliente. No lo toque si el motor ha estado en marcha.**

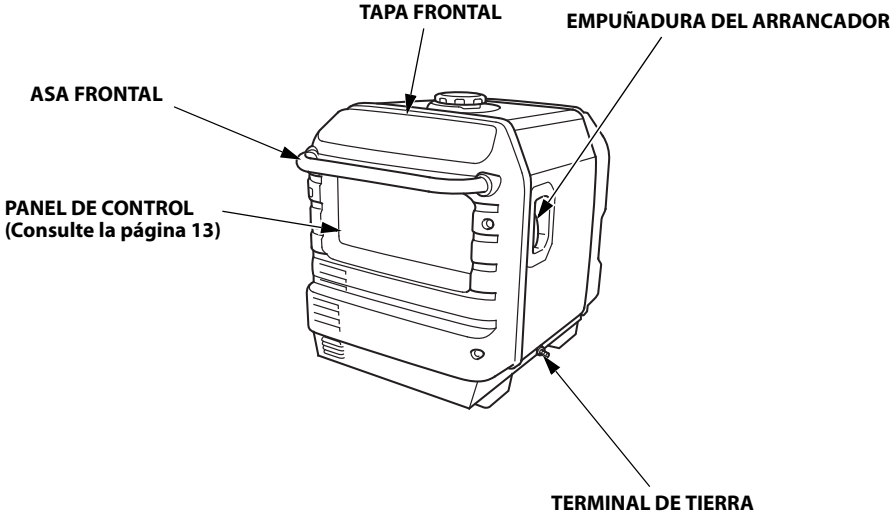


- **Conecte y extraiga la caja de receptáculos para operación en paralelo cuando el motor esté parado.**
- **Para la operación sencilla debe extraerse la caja de receptáculos para operación en paralelo.**



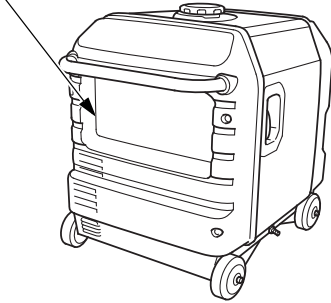
# 3. IDENTIFICACIÓN DE COMPONENTES

## <TIPO DE PATAS FIJAS>



## <TIPO DE RUEDAS>

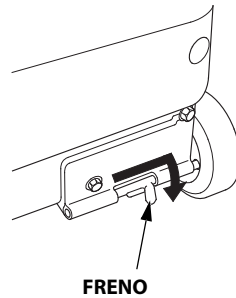
**PANEL DE CONTROL**  
(Consulte la página 13)



### NOTA:

El generador puede volverse inestable si no tiene todas las cuatro ruedas apoyadas firmemente en el suelo.

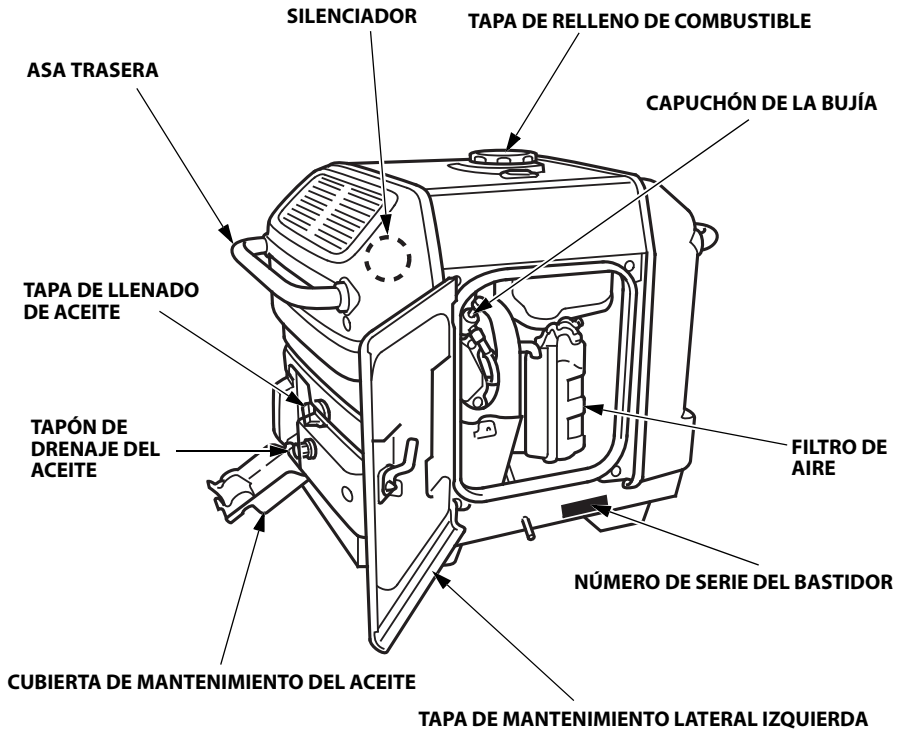
Verifique que todas las cuatro ruedas están apoyadas firmemente en el suelo antes de poner en funcionamiento.



Levante la palanca del tope y deslice el tope en la dirección de la flecha de manera que entre en el orificio de la rueda y luego baje la palanca del tope.

Verifique que la rueda está bloqueada.



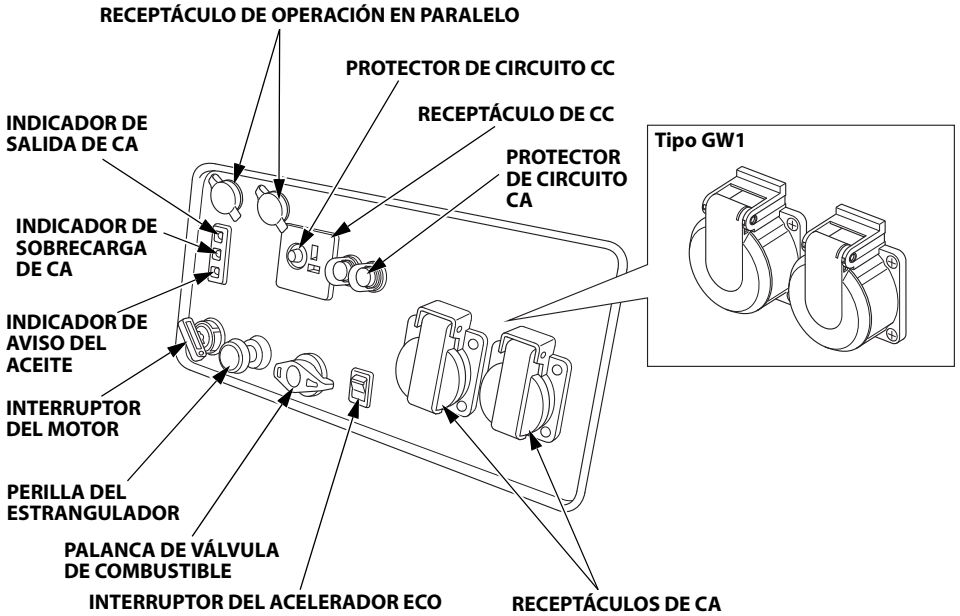


Anote el número de serie del bastidor en el espacio de abajo. Necesitará este número de serie para realizar pedidos de piezas.

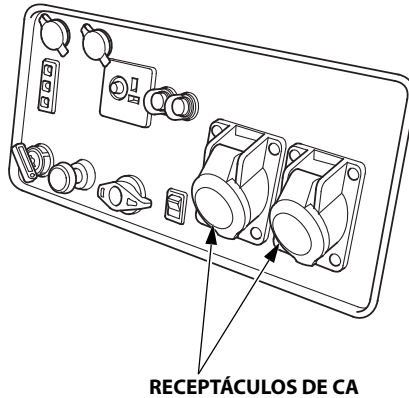
Número de serie del bastidor: \_\_\_\_\_

# PANEL DE CONTROL

## Tipos F, G y GW1



## Tipo B



## Acelerador Eco

### ON:

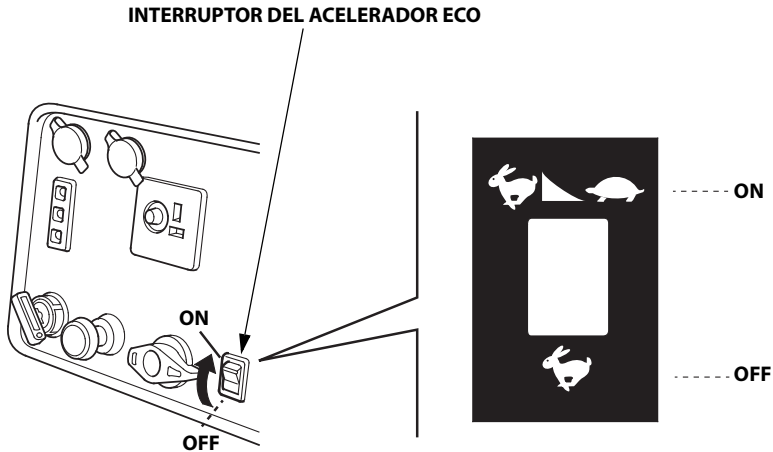
La velocidad del motor se mantiene al ralentí automáticamente cuando se desconecta el aparato eléctrico y retorna a la velocidad adecuada para la carga eléctrica cuando se conecta el aparato eléctrico. Se recomienda esta posición para minimizar el consumo de combustible durante la operación.

### NOTA:

- Gire el interruptor del acelerador Eco a la posición OFF para reducir los cambios de tensión cuando se conectan simultáneamente aparatos con grandes cargas eléctricas.
- El sistema del acelerador Eco no opera de forma suficiente si el aparato eléctrico requiere energía eléctrica momentánea.

### OFF:

No funciona el sistema del acelerador Eco. La velocidad del motor se mantiene dentro del margen indicado en Velocidad del motor (con el acelerador Eco desactivado) en la página "ESPECIFICACIONES".



## 4. COMPROBACIONES PREVIAS ANTES DEL USO

### Llave de repuesto

El generador se entrega con dos llaves. Retire la llave de repuesto cortando la etiqueta de plástico y guarde la llave en un lugar seguro.

### ATENCIÓN:

**Cerciorarse de que el generador esté sobre una superficie nivelada con el motor parado.**

Antes de cada utilización, mire en torno al motor y debajo del mismo para ver si hay indicios de fugas de aceite o de gasolina.

1. Compruebe el nivel del aceite de motor.

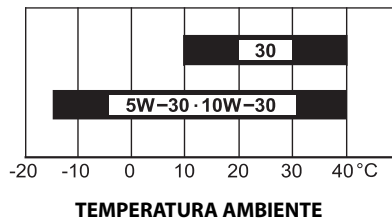
### ATENCIÓN:

**El empleo de aceite de motor de 2 tiempos o aceite no detergente puede acortar la vida útil de servicio del motor.**

### Aceite recomendado

Emplee aceite de motores de 4 tiempos que cumpla o supere los requisitos para la categoría de servicio API de SE o posterior (o equivalente). Compruebe siempre la etiqueta de servicio API del recipiente de aceite para asegurarse que incluye las letras SE o posterior (o equivalente).

Lea las instrucciones en el recipiente del aceite antes de su uso.



Se recomienda el SAE 10W-30 para aplicaciones generales. Las otras viscosidades mostradas en la gráfica pueden utilizarse cuando la temperatura media de su zona está dentro del margen indicado. Especificaciones de aceite lubricante necesarias para mantener el rendimiento del sistema de control de emisiones: aceite original Honda.

Compruebe el nivel de aceite del motor con el motor parado y en posición nivelada.

1. Abra la cubierta de mantenimiento de aceite.
2. Extraiga la tapa de llenado de aceite.
3. Compruebe el nivel de aceite. Si está bajo el límite superior, rellene con el aceite recomendado (consulte la página 15) hasta el límite superior.
4. Vuelva a colocar firmemente la tapa de llenado de aceite.

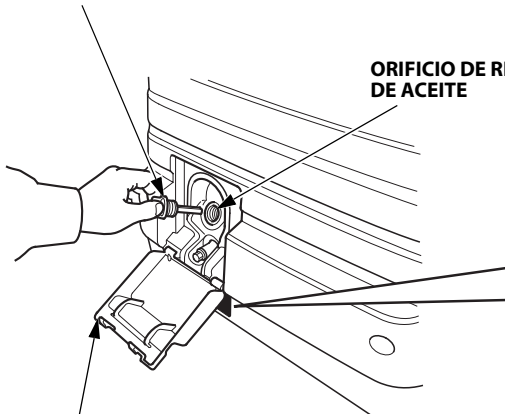
**ATENCIÓN:**

**Si se hace funcionar el motor sin suficiente aceite se pueden causar serios daños al mismo.**

**NOTA:**

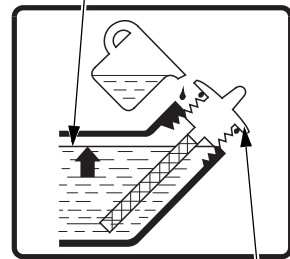
El sistema de alerta de aceite parará automáticamente el motor antes de que el nivel de aceite caiga por debajo del límite de seguridad. Sin embargo, para evitar la inconveniencia de una parada inesperada, sigue siendo aconsejable comprobar visualmente con regularidad el nivel del aceite.

**TAPA DE LLENADO DE ACEITE**



**ORIFICIO DE RELLENO DE ACEITE**

**NIVEL SUPERIOR**



**TAPA DE LLENADO DE ACEITE**

2. Compruebe el nivel de combustible.

Compruebe el medidor del nivel de combustible. Llene el depósito de combustible si el nivel de combustible es bajo.

Luego de rellenar, apriete firmemente la tapa del orificio de llenado de combustible.

## Combustible recomendado

Gasolina sin plomo
91 octanos de investigación o superior
86 octanos de bomba o superior

Este motor está homologado para funcionar con gasolina sin plomo con un valor de octanos de bomba de 86 o más alto (un valor de octanos de investigación de 91 o más alto).

Especificaciones de combustible necesarias para mantener el rendimiento del sistema de control de emisiones: combustible E10 indicado en la normativa de la UE. No emplee nunca gasolina pasada, sucia ni mezclada con aceite. Evite la entrada de suciedad o agua en el depósito de combustible.

### ⚠ ADVERTENCIA

- **La gasolina es muy inflamable y explosiva bajo ciertas condiciones.**
  - **Rellene en un área bien ventilada con el motor parado. No fume ni permita la presencia de fuego ni chispas cuando rellene o en el lugar donde guarde la gasolina.**
  - **No rellene con exceso el depósito de combustible (no deberá haber combustible por encima de la marca del nivel superior). Después de repostar, asegúrese de que la tapa de relleno de combustible quede correctamente cerrada con seguridad.**
  - **Tenga cuidado de no derramar combustible cuando se rellena. Los derrames de combustible y sus vapores pueden inflamarse. Si se derrama combustible, asegúrese de que el área está seca antes de arrancar el motor.**
  - **Evite un contacto repetido o prolongado con la piel o la inhalación de vapor.**
- MANTENER ALEJADO DEL ALCANCE DE LOS NIÑOS.**



---

**NOTA:**

La gasolina se echa a perder con rapidez dependiendo de factores tales como la exposición a la luz, la temperatura y el tiempo.

En el peor de los casos, la gasolina puede echarse a perder en 30 días.

El empleo de gasolina contaminada puede causar daños serios al motor (carburador obturado, válvula agarrotada).

Estos daños debidos a un combustible que no está en buenas condiciones no están cubiertos por la garantía.

Para evitar estas situaciones, siga estrictamente estas recomendaciones:

- Emplee sólo la gasolina especificada (vea la página 16).
- Emplee gasolina nueva y limpia.
- Para aminorar el deterioro, mantenga la gasolina en un recipiente de combustible homologado.
- Si se tiene que almacenar durante mucho tiempo (más de 30 días), drene el depósito de combustible y el carburador.

### **Gasolinas con alcohol**

Si decide utilizar gasolina con alcohol (gasohol), asegúrese que el octanaje sea al menos tan alto como el recomendado por Honda.

Hay dos tipos de "gasohol": uno que contiene etanol, y el otro que contiene metanol.

No utilice gasohol con más del 10% de etano.

No emplee nunca gasolina que contenga más del 5% de metanol (alcohol metílico o alcohol de madera) o gasolina que contenga metanol si no contiene cosolventes e inhibidores contra la corrosión para metanol.

**NOTA:**

- Los daños en el sistema de combustible o los problemas de rendimiento del motor causados por la utilización de gasolina que contenga más cantidad de alcohol que la recomendada no están cubiertos por la garantía.
- Antes de adquirir gasolina de una gasolinera desconocida, compruebe si la gasolina contiene alcohol, y en caso de contenerlo, pregunte el tipo y porcentaje de alcohol utilizado.

Si nota síntomas indeseados de funcionamiento mientras usa una determinada gasolina. Cambie a una gasolina que sepa que contiene una cantidad de alcohol menor que la recomendada.

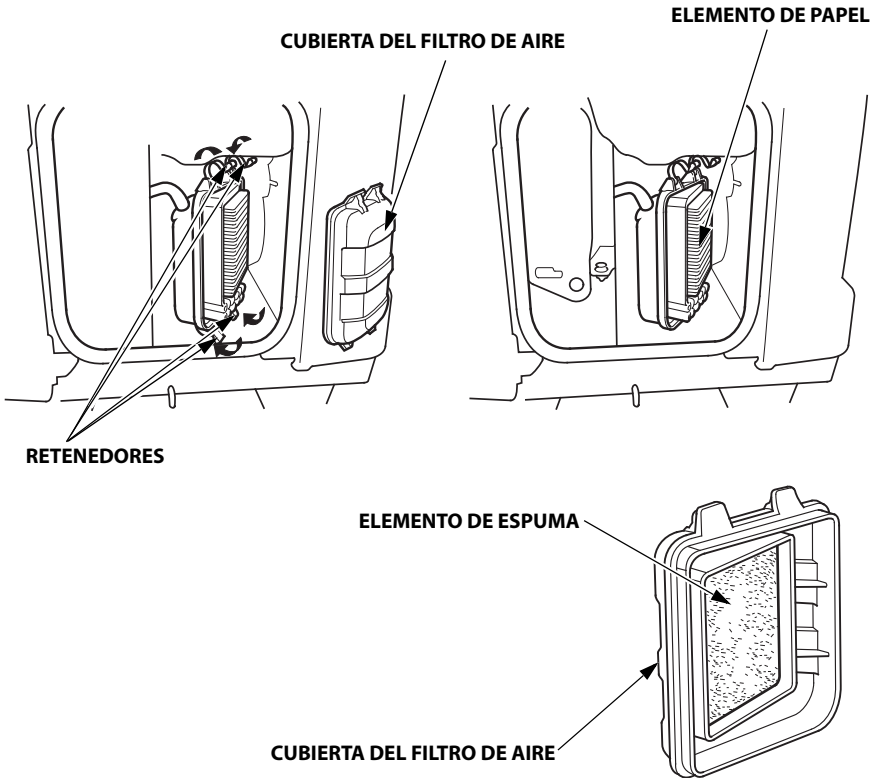
### 3. Comprobar el elemento del filtro.

Compruebe los elementos del filtro de aire para cerciorarse de que estén limpios y en buenas condiciones.

Abra la tapa de mantenimiento lateral izquierda. Desenganche los cuatro retenedores, extraiga la cubierta del filtro de aire, extraiga el elemento de espuma de la cubierta del filtro de aire, y compruebe ambos elementos. Limpie o cambie los elementos en caso necesario. (consulte la página 45).

#### **ATENCIÓN:**

**Nunca ponga en marcha el motor sin el elemento del filtro de aire. El motor podría desgastarse con rapidez, debido al polvo y suciedad que ingresan al motor a través del carburador.**





# 5. ARRANQUE DEL MOTOR

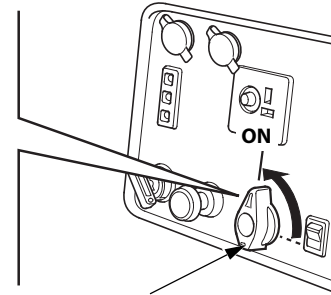
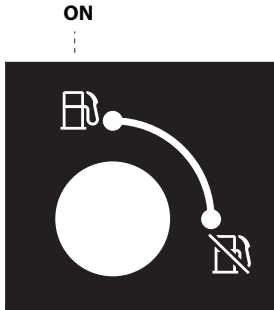
## Arranque eléctrico

### ATENCIÓN:

**Cuando arranque el generador después de haber añadido combustible por primera vez, después de haber estado un período de tiempo largo almacenado, o después de haberse quedado sin combustible, gire la palanca de la válvula del combustible a la posición ON, y espere entonces de 10 a 20 segundos antes de arrancar el motor.**

Antes de arrancar el motor, desconecte cualquier carga que pueda haber en el receptáculo de CA.

1. Gire la palanca de la válvula del combustible a la posición ON.

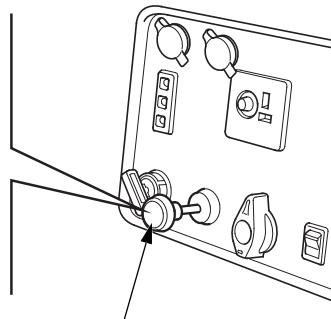


PALANCA DE VÁLVULA DE COMBUSTIBLE

2. Tire de la perilla del estrangulador a la posición CLOSED.

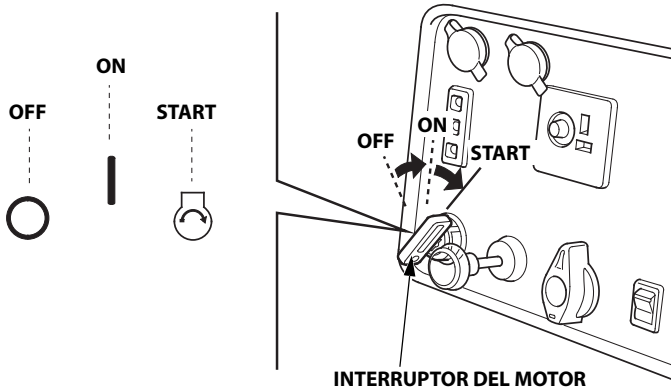
### NOTA:

No emplee el estrangulador cuando el motor esté caliente ni cuando la temperatura del aire sea alta.



PERILLA DEL ESTRANGULADOR

3. Gire el interruptor del motor a la posición START y reténgalo ahí durante hasta que se ponga en marcha el motor.



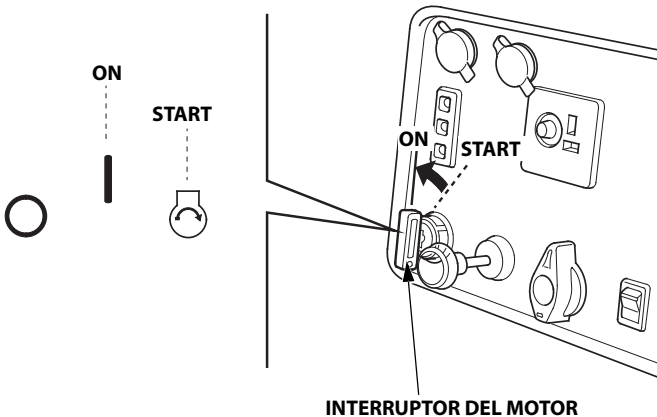
**ATENCIÓN:**

**No emplee el motor de arranque durante más de 5 segundos. Si el motor no arranca, suelte la llave y espere por lo menos 10 segundos antes de operar otra vez el motor de arranque.**

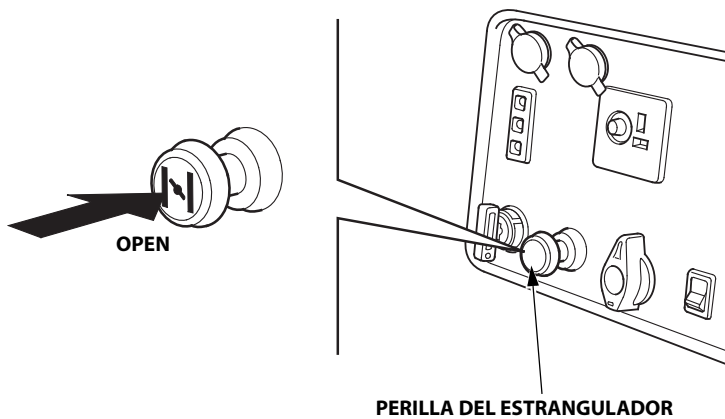
**NOTA:**

Cuando la velocidad del motor de arranque caiga después de cierto período de tiempo, significa que ha llegado el momento de recargar la batería.

4. Después de haberse puesto en marcha el motor, deje que el interruptor del motor retorne a la posición ON.



- 
5. Presione la perilla del estrangulador a la posición OPEN a medida que se calienta el motor.



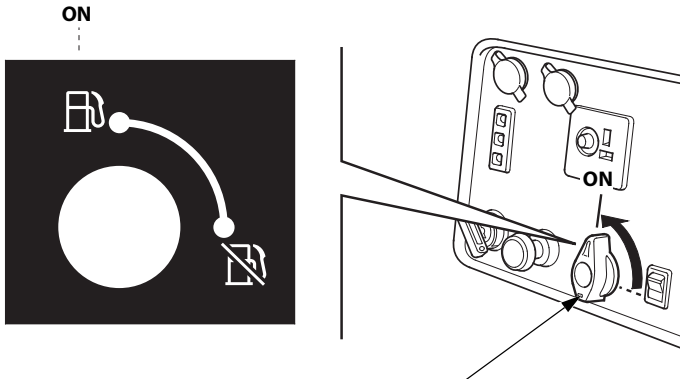
## Arranque manual

### ATENCIÓN:

**Cuando arranque el generador después de haber añadido combustible por primera vez, después de haber estado un período de tiempo largo almacenado, o después de haberse quedado sin combustible, gire la palanca de la válvula del combustible a la posición ON, y espere entonces de 10 a 20 segundos antes de arrancar el motor.**

Antes de arrancar el motor, desconecte cualquier carga que pueda haber en el receptáculo de CA.

1. Gire la palanca de la válvula del combustible a la posición ON.

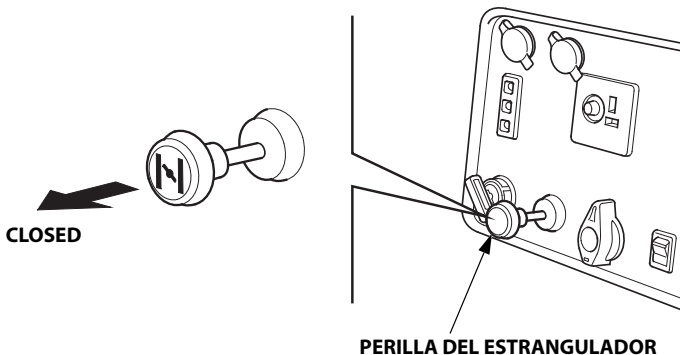


PALANCA DE VÁLVULA DE COMBUSTIBLE

2. Tire de la perilla del estrangulador a la posición CLOSED.

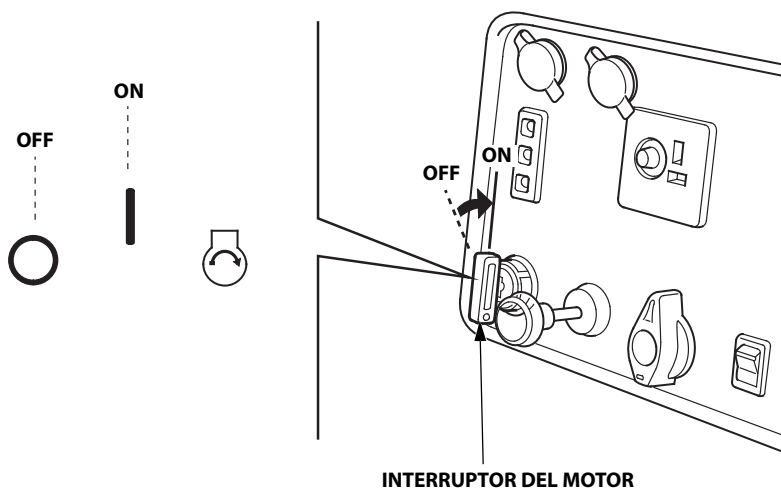
### NOTA:

No emplee el estrangulador cuando el motor esté caliente ni cuando la temperatura del aire sea alta.



PERILLA DEL ESTRANGULADOR

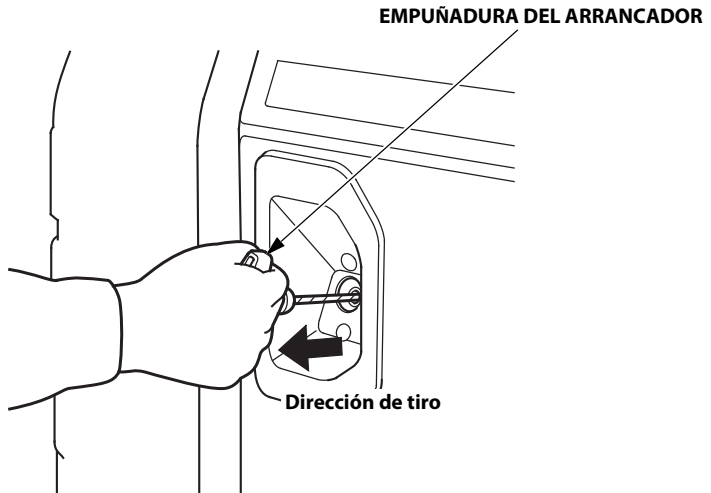
3. Gire el interruptor del motor a la posición ON.



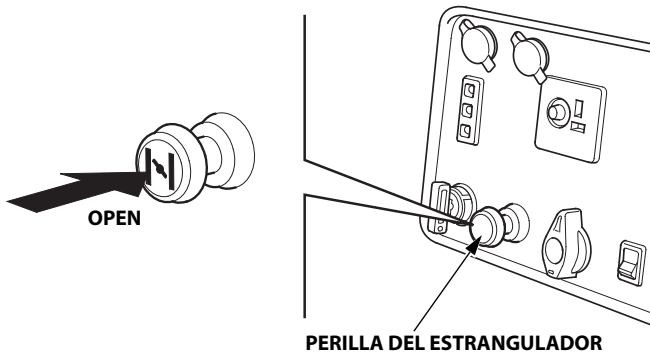
- 
4. Tire ligeramente de la empuñadura del arrancador hasta notar resistencia, y entonces tire con fuerza de la empuñadura del arrancador en la dirección de la flecha como se muestra abajo.

**ATENCIÓN:**

- **La empuñadura del arrancador puede retroceder con mucha rapidez antes de que usted la suelte. Esta fuerza puede arrastrarle la mano con fuerza hacia el motor y causarle lesiones.**
- **No permita que retroceda con efecto de resorte la empuñadura del acelerador. Haga que retroceda con la mano.**
- **No permita que la cuerda del arrancador frote el cuerpo del generador; la cuerda se desgastaría prematuramente.**



5. Presione la perilla del estrangulador a la posición OPEN a medida que se calienta el motor.



---

- **Operación en altitudes elevadas**

En una altitud elevada, la mezcla de aire y combustible en el carburador normal será excesivamente rica. Se reducirá el rendimiento y aumentará el consumo de combustible.

El rendimiento a grandes altitudes podrá mejorar mediante modificaciones específicas en el carburador. Si siempre opera el generador a altitudes de más de 610 metros sobre el nivel del mar, solicite a su concesionario de servicio que efectúe estas modificaciones en el carburador.

Aun con un surtidor de carburador adecuado, la potencia del motor disminuirá aproximadamente en un 3,5% por cada 300 metros de aumento en altura. La altura afectará aún más la potencia si no se realiza ninguna modificación en el carburador.

**ATENCIÓN:**

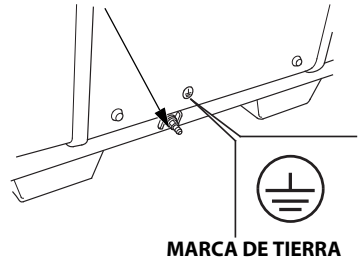
**La operación de la generador en una altitud inferior a la que se ajusta el surtidor del carburador puede resultar en un menor rendimiento, sobrecalentamiento, y en serios daños al motor causados por un excesivo paso de mezcla de aire y combustible.**

## 6. USO DEL GENERADOR

El generador produce suficiente energía eléctrica como para causar descargas eléctricas graves o electrocución si se utiliza indebidamente. Asegúrese de conectar a tierra el generador cuando el aparato conectado esté puesto a tierra.

Para poner a tierra el terminal del generador, emplee un conductor de cobre con un diámetro igual o superior al del cable del aparato conectado.

TERMINAL DE TIERRA

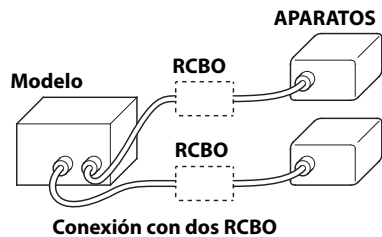
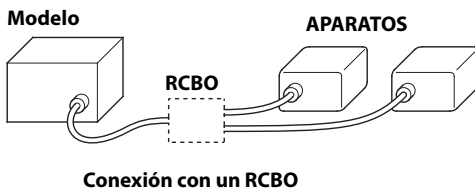


Emplee un cable de extensión provisto de conductor de tierra cuando conecte un aparato provisto de conductor de tierra.

Para identificar la patilla de tierra en la clavija, consulte RECEPTÁCULO en la página 63.

Conecte un RCBO (disyuntor de corriente residual con protección contra sobrecarga) de detección de fallos de tierra de 30 mA y corte de menos de 0,4 segundos a más de 30 A de corriente de salida, si está empleando dos o más aparatos.

Siga las instrucciones proporcionadas por el fabricante de cada RCBO antes de su empleo.



### ⚠ ADVERTENCIA

Las conexiones inadecuadas en el sistema eléctrico de un edificio pueden permitir que la corriente del generador se realimente a la red principal de suministro eléctrico.

Este tipo de realimentación puede electrocutar a los operarios de la compañía de electricidad o a otras personas que entren en contacto con las líneas de transmisión durante una suspensión del suministro, y el generador podría explotar, quemarse u ocasionar un incendio al restaurarse el suministro eléctrico.

Consulte a la compañía suministradora de electricidad o a un electricista cualificado antes de efectuar conexiones eléctricas.



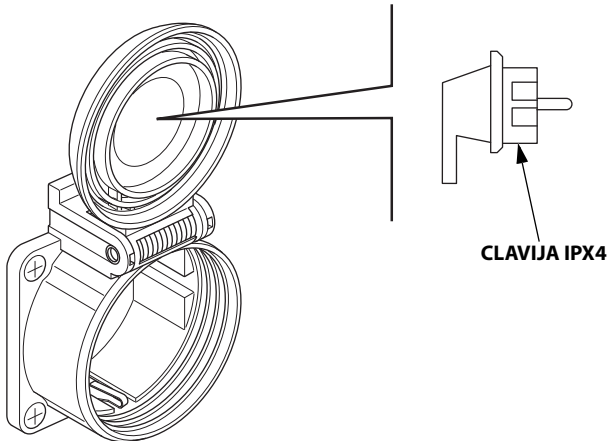
## ATENCIÓN:

- No exceda el límite de corriente especificado para cualquier receptáculo.
- No modifique ni emplee el generador para otras aplicaciones que no sean las propias del aparato. Observe también lo siguiente cuando emplee el generador.
- No conecte una extensión al tubo de escape.
- Cuando se requiere un cable de extensión, asegúrese de emplear un cable flexible con forro de goma fuerte (IEC 245 o equivalente). Cuando se utiliza un cable de extensión, el valor de resistencia no debe sobrepasar de  $1,5 \Omega$ .
- Límite de longitud de los cables de extensión: 60 m para cables de  $1,5 \text{ mm}^2$  y 100 m para cables de  $2,5 \text{ mm}^2$ . Los cables de extensión largos reducirán la energía utilizable debido a la resistencia del cable de extensión.
- Mantenga el generador apartado de otros cables eléctricos o cables como puedan ser de las líneas de alimentación comercial.

### ⚠ ADVERTENCIA

#### Tipo GW1

Cuando se use una clavija acodada, use siempre una clavija tipo IPX4.



---

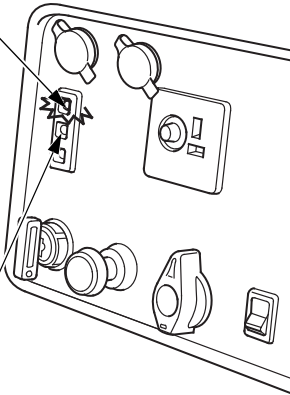
NOTA:

- La mayoría de los motores de los aparatos eléctricos necesitan más potencia que la de su vataje nominal para ponerse en marcha. Asegúrese de que los valores eléctricos nominales de la herramienta o aparato no excedan la potencia máxima del generador.  
La potencia máxima es de: 3,0 kVA
- Para la operación continua, no exceda la potencia nominal.  
La potencia nominal es de: 2,8 kVA
- En cualquier caso, deberán tenerse en cuenta los requisitos de alimentación total (VA) de todos los aparatos conectados.
- El receptáculo de CC puede emplearse se emplea la alimentación de CA. Si emplea ambos al mismo tiempo, no exceda la alimentación de CA máxima.  
Alimentación de CA máxima: 2,65 kVA

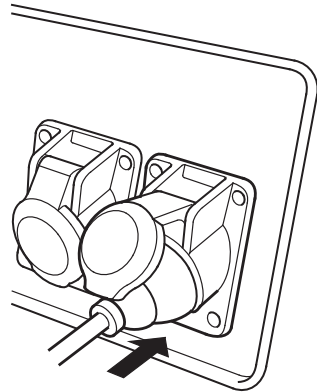
## Aplicaciones con CA

1. Ponga en marcha el motor y asegúrese de que se encienda el indicador de salida (verde).
2. Confirme que el aparato a utilizarse esté desconectado, y enchufe el aparato.

INDICADOR DE SALIDA  
(VERDE)



INDICADOR DE SOBRECARGA  
(ROJO)



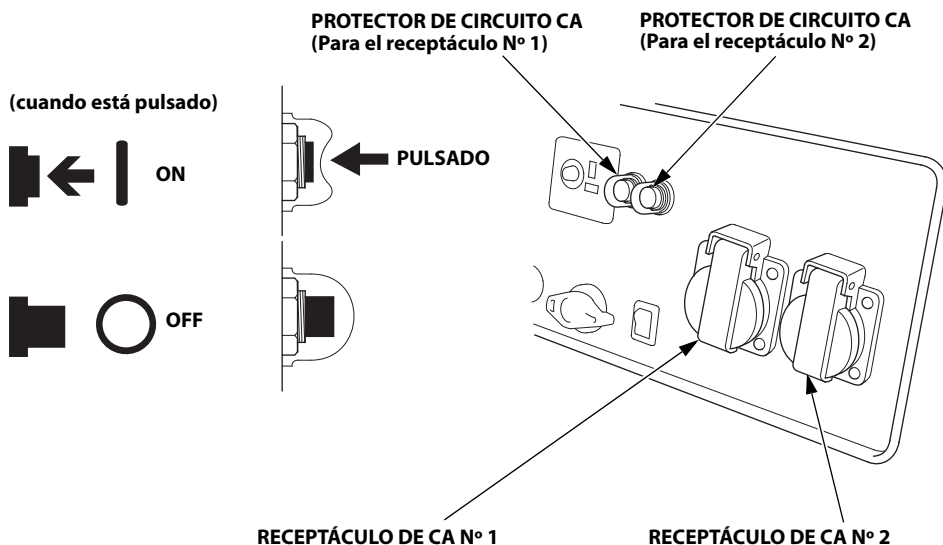
### ATENCIÓN:

- Las sobrecargas substanciales que hacen que se encienda continuamente el indicador de sobrecarga (rojo) pueden causar daños en el generador. Las sobrecargas marginales que hacen que se encienda temporalmente el indicador de sobrecarga (rojo) pueden acortar la vida útil de servicio del generador.
- Asegúrese de que todos los aparatos estén en buen estado de funcionamiento antes de conectarlos al generador. El equipo eléctrico (incluyendo los cables y las conexiones de las clavijas) no deberán estar en estado defectuoso. Si un aparato empieza a funcionar anormalmente, de forma irregular o si se para súbitamente, desconecte inmediatamente el interruptor del motor del generador. Luego, desconecte el aparato y mire si hay alguna señal de mal funcionamiento.

## Protector de circuito de CA (tipos B, F, G y GW1)

El protector del circuito de CA se desconectará (OFF) automáticamente (salta el botón) si se produce un cortocircuito o una sobrecarga significativa en el receptáculo del generador.

Si uno de los protectores del circuito de CA se desconecta (OFF) automáticamente, compruebe si el aparato está funcionando correctamente y que no exceda la capacidad de carga nominal del circuito antes de reponer el protector del circuito de CA al estado de activación (ON) dejando pulsado el botón.



---

## Indicadores de salida y de sobrecarga

El indicador de salida (verde) quedará encendido durante las condiciones normales de operación.

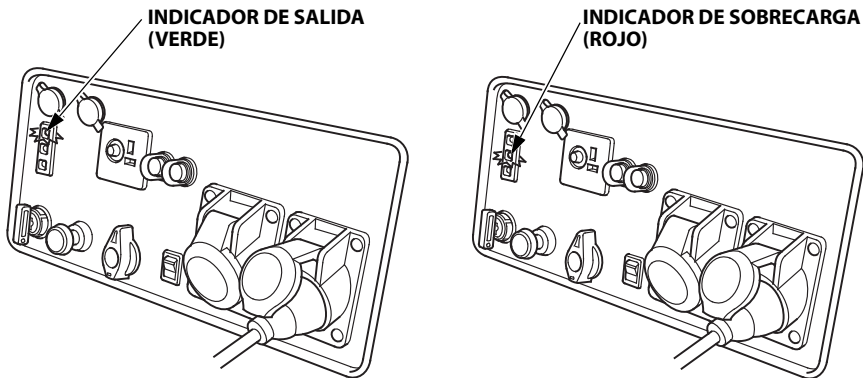
Si se sobrecarga el generador (consulte las páginas 29), o si se produce un cortocircuito en el aparato conectado, se apagará el indicador de salida (verde), se encenderá el indicador de sobrecarga (rojo) y se cortará la corriente al aparato conectado.

Pare el motor si se enciende el indicador de sobrecarga (rojo) y busque el origen de la sobrecarga.

### NOTA:

El indicador de sobrecarga (rojo) también se encenderá en los casos siguientes:

- Cuando se sobrecalienta el inversor, la corriente al aparato conectado se cortará. Compruebe si la entrada de aire está obstruida.
- Antes de conectar un aparato al generador, compruebe que esté en buen estado de operación, y que sus valores eléctricos no excedan los del generador. Entonces, conecte el cable de alimentación del aparato y ponga en marcha el motor.



### NOTA:

Cuando se ponga en marcha un motor eléctrico, es posible que se enciendan simultáneamente el indicador de sobrecarga (rojo) y el indicador de salida (verde). Esto es normal si el indicador de sobrecarga (rojo) se apaga después de unos cinco (5) segundos. Si el indicador de sobrecarga (rojo) queda encendido, consulte a su concesionario de generadores Honda.

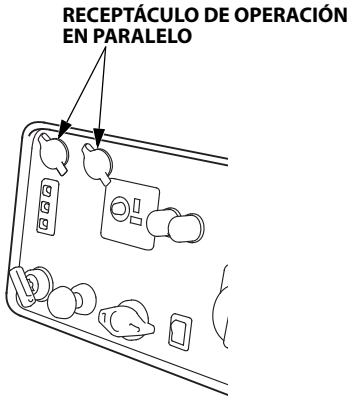
---

## Operación en paralelo

Lea el capítulo "EMPLEO DEL GENERADOR" antes de conectar cualquier equipo que vaya a utilizarse.

Para la operación en paralelo emplee solamente un cable/receptáculo especial (vendido por separado).

### Tipos G, GW1, B y F



- 
- La mayoría de los motores de los aparatos eléctricos necesitan más potencia que la de su vataje nominal para ponerse en marcha. Asegúrese de que los valores eléctricos nominales de la herramienta o aparato no excedan la potencia máxima del generador.  
La potencia máxima de operación en paralelo es: 6,0 kVA
  - Para la operación continua, no exceda la potencia nominal.  
La potencia nominal de operación en paralelo es: 5,6 kVA
  - En cualquier caso, deberán tenerse en cuenta los requisitos de alimentación total (VA) de todos los aparatos conectados.

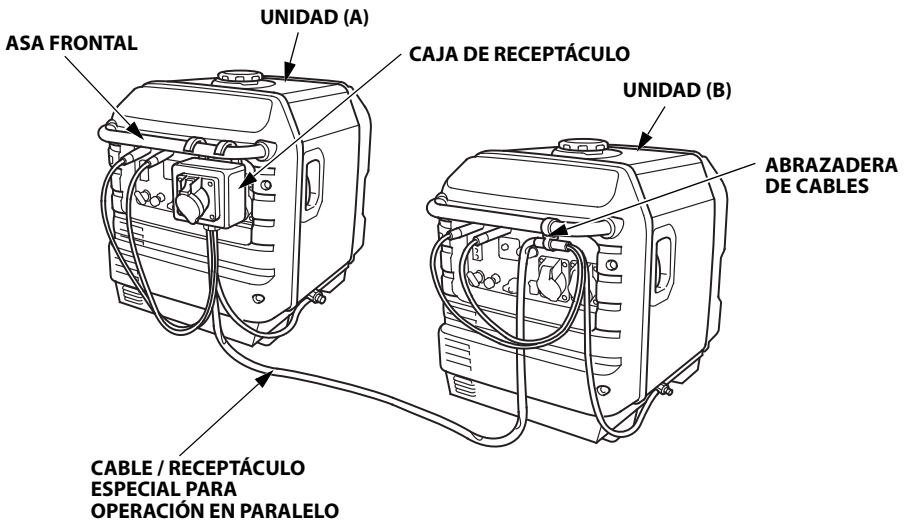
#### **ATENCIÓN:**

**Las sobrecargas substanciales que hacen que se encienda continuamente el indicador de sobrecarga (rojo) pueden causar daños en el generador. Las sobrecargas marginales que hacen que se encienda temporalmente el indicador de sobrecarga (rojo) pueden acortar la vida útil de servicio del generador.**

#### **▲ ADVERTENCIA**

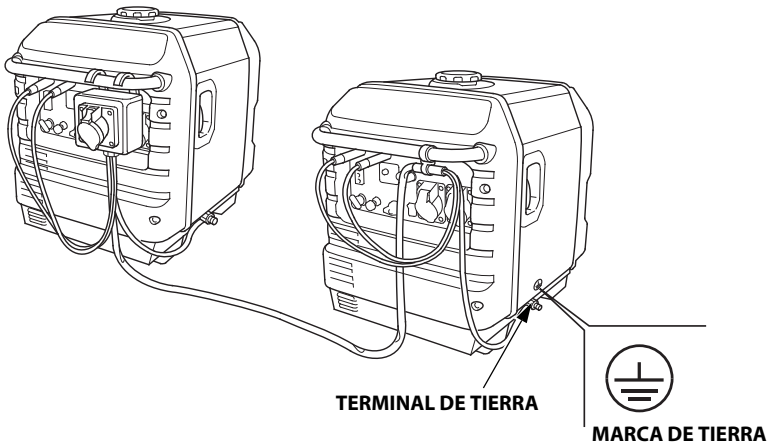
- **No conecte nunca generadores de modelos y tipos distintos.**
- **No conecte nunca un cable que no sea el cable/receptáculo especial para la operación en paralelo.**
- **Conecte y extraiga el cable/receptáculo especial para la operación en paralelo con el motor parado.**
- **Para la operación sencilla, deberá extraerse el cable/receptáculo especial para la operación en paralelo.**

1. Cuelgue la caja del receptáculo del cable/receptáculo especial en el tubo del manillar delantero de la unidad (A) o de la unidad (B), y ate el cable más largo del cable/receptáculo especial en el tubo del manillar delantero de la otra unidad con la abrazadera de cables.
2. Conecte el cable/receptáculo especial para la operación en paralelo a los dos generadores.
  - **Ponga los dos generadores por lo menos a 1 metro de distancia entre sí durante la operación en paralelo.**
  - **Tenga cuidado para que no se afloje el cable hacia el lado de la empuñadura del arrancador.**
  - **Conecte el cable más largo al generador al que no se haya instalado el cable/receptáculo especial para la operación en paralelo.**
  - **No coloque los generadores con los lados de escape encarados entre sí.**

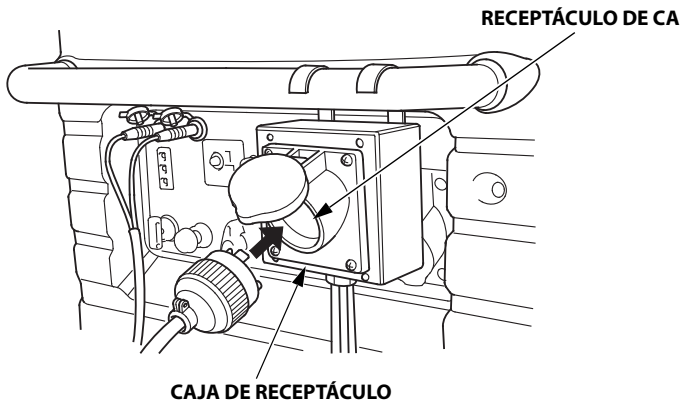




3. Asegúrese de realizar la puesta a tierra del generador siempre que se ponga a tierra el equipo conectado.



4. Ponga en marcha el motor según lo indicado en el capítulo "ARRANQUE DEL MOTOR".
- Cuando no se encienda el indicador de salida (verde) y se encienda en su lugar el indicador de sobrecarga (rojo), ponga el interruptor del motor en la posición OFF, pare una vez el motor, y luego vuelva a ponerlo en marcha.
5. Confirme que el equipo que vaya a utilizar tenga la alimentación desconectada, e inserte la clavija del equipo que vaya a utilizar en el receptáculo de CA de la caja de receptáculos.

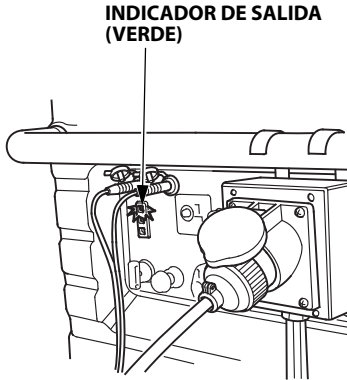


**ATENCIÓN:**

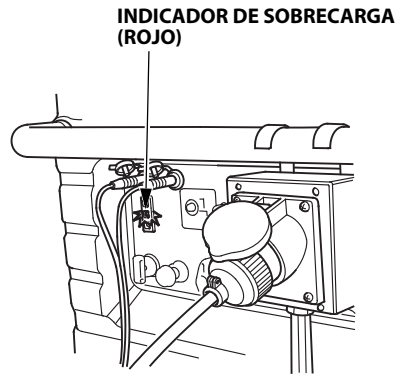
**Confirme que el equipo a conectarse tenga la alimentación desconectada. Cuando el equipo a utilizarse tiene la alimentación conectada, se pondrá en funcionamiento súbitamente, y puede ocasionar heridas o accidentes.**

- 
6. Conecte la alimentación del equipo que se vaya a utilizar.  
Se encenderá el indicador de salida (verde).

En caso de operación normal



En caso de operación sobrecargado o en cortocircuito



- En caso de operación con sobrecarga (consulte la página 32) o cuando ocurra algún problema con el equipo utilizado, se apagará el indicador de salida (verde), quedará encendido el indicador de sobrecarga (rojo), y no saldrá alimentación eléctrica.  
Entonces, el motor no se parará, por lo que deberá pararse poniendo el interruptor del motor respectivo en la posición OFF.

NOTA:

- El indicador de sobrecarga (rojo) también se encenderá en los casos siguientes:  
Cuando se sobrecalienta el inversor, la corriente al aparato conectado se cortará. Compruebe si la entrada de aire está obstruida.
  - Cuando se utilice un equipo que requiere mucha energía para ponerse en funcionamiento, como pueda ser un motor, etc., el indicador de sobrecarga (rojo) y el indicador de salida (verde) pueden encenderse al mismo tiempo durante un corto intervalo de tiempo (unos 4 segundos), pero no se trata de ninguna anomalía. Después de haber puesto en funcionamiento el equipo, se apagará el indicador de sobrecarga (rojo) y el indicador de salida (verde) quedará encendido.
  - Cuando deba pararse la operación de un generador después de haber puesto en funcionamiento el equipo, deberá extraerse también al mismo tiempo el cable/receptáculo especial para operación en paralelo.
7. Cuando deba tomarse de nuevo la energía eléctrica desde el generador, desconecte la alimentación del equipo a utilizarse y extraiga la clavija del receptáculo de CA. Confirme que el equipo y la conexión sean normales y que no se tome demasiada energía, y entonces arranque el motor.

## Aplicación de CC

El receptáculo de CC puede utilizarse para cargar sólo baterías del tipo de automóvil de 12 voltios.

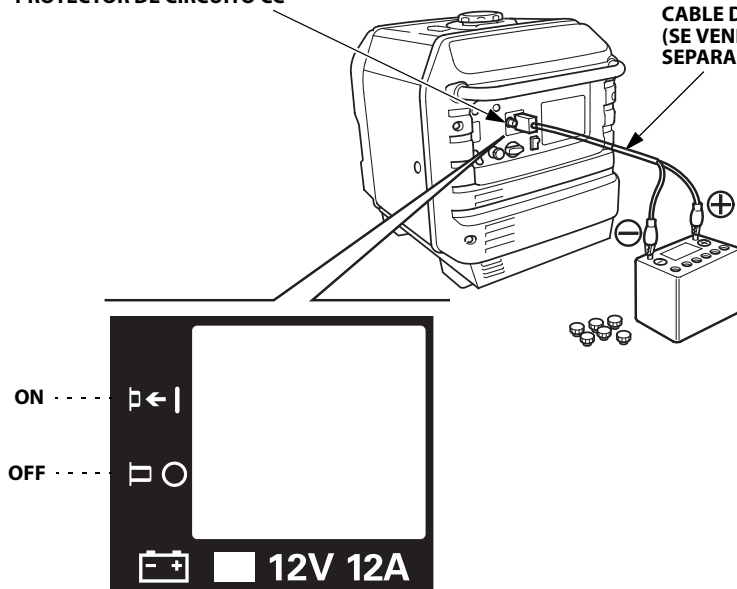
NOTA:

En operación de CC, gire el interruptor del acelerador Eco a la posición OFF.

1. Conecte los cables de carga al receptáculo de CC del generador y luego a los terminales de la batería.

PROTECTOR DE CIRCUITO CC

CABLE DE CARGA  
(SE VENDE POR  
SEPARADO)



---

#### **⚠ ADVERTENCIA**

- Para evitar la posibilidad de crear chispas cerca de la batería, conecte el cable de carga primero al generador, y luego a la batería. Desconecte primero el cable en la batería.
- Antes de conectar el cable de carga a una batería que esté instalada en un vehículo, desconecte el cable de la batería del vehículo. Después de haber quitado los cables de carga, vuelva a conectar el cable de la batería del vehículo. Siguiendo este procedimiento se evitará la posibilidad de que se produzca un cortocircuito o chispas en caso de hacerse contacto accidentalmente entre un terminal de batería y el bastidor o carrocería del vehículo.

#### **ATENCIÓN:**

- No intente arrancar un automóvil con el generador todavía conectado a la batería. Podría dañarse el generador.
- Conecte el terminal positivo de batería al cable de carga positivo. No invierta los cables de carga, ya que se podrían producir serios daños en el generador y/o la batería.

#### **⚠ ADVERTENCIA**

- Las baterías producen gases explosivos. Si se inflaman, la explosión puede causar graves daños personales o ceguera. Proporcione una ventilación apropiada cuando efectúe la carga.
- **PELIGRO DE AGENTES QUÍMICOS:** El electrólito de la batería contiene ácido sulfúrico. El contacto con los ojos o la piel, incluso a través de la ropa, puede causar quemaduras graves. Utilice una pantalla para la cara y póngase ropa de protección.
- Mantenga las llamas y chispas alejadas, y no fume en el área.  
**ANTÍDOTO:** Si le ha entrado electrólito en los ojos, lávese con agua tibia durante 15 minutos por lo menos, y luego vaya inmediatamente al médico.
- **VENENO:** El electrólito es venenoso.  
**ANTÍDOTO**
  - Externo: Lave a fondo con agua.
  - Interno: Beba grandes cantidades de agua o leche.  
Siga con leche de magnesia o aceite vegetal, y llame inmediatamente a un médico.
- **MANTENER ALEJADO DEL ALCANCE DE LOS NIÑOS.**

---

## 2. Arranque el motor.

### NOTA:

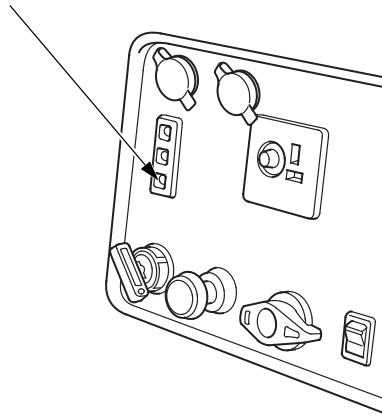
- El receptáculo de CC puede emplearse se emplea la alimentación de CA.
- Un circuito de CC sobrecargado disparará el protector del circuito de CC (el botón pulsador sale hacia afuera).  
Si así sucede, esperar algunos minutos antes de presionar el protector del circuito para reanudar la operación.

## Sistema de alerta del aceite

El sistema de aviso del aceite está diseñado para evitar daños en el motor causados por una cantidad insuficiente de aceite en el cárter. Antes de que el nivel del aceite que hay en el cárter caiga por debajo de un límite de seguridad, el sistema de alerta de aceite Oil Alert para automáticamente el motor (el interruptor del motor queda en la posición ON).

Si el sistema de alerta de aceite para el motor, se encenderá la luz del indicador de alerta de aceite (rojo) cuando usted opere el motor de arranque, y el motor no se pondrá en marcha. En este caso, añada aceite de motor (vea la página 16).

**INDICADOR DE AVISO DE ACEITE (ROJO)**

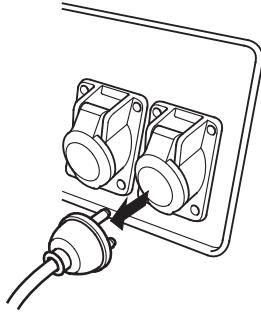


## 7. PARADA DEL MOTOR

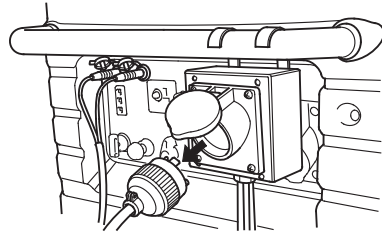
Para parar el motor en caso de emergencia, ponga el interruptor del motor en la posición OFF.

### EN EMPLEO NORMAL:

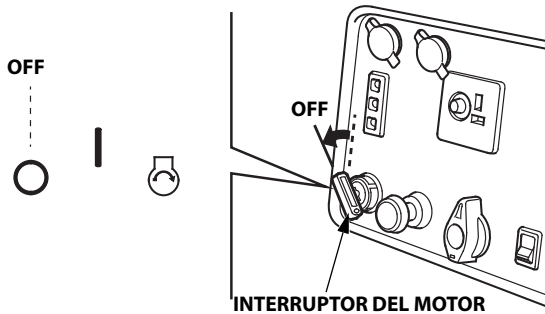
1. Desconecte el equipo conectado y tire de la clavija insertada.



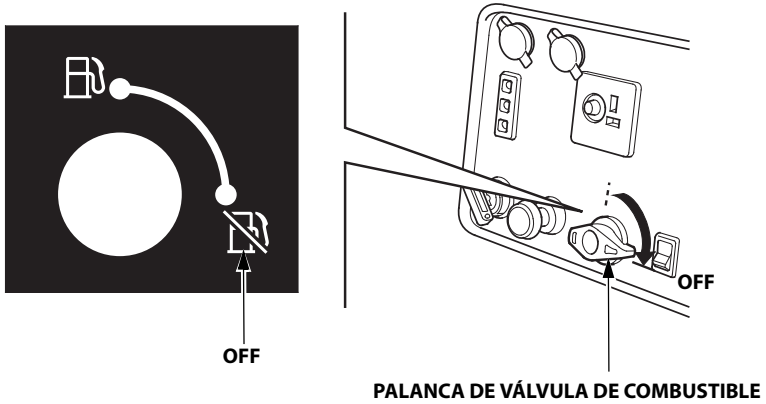
Operación en paralelo



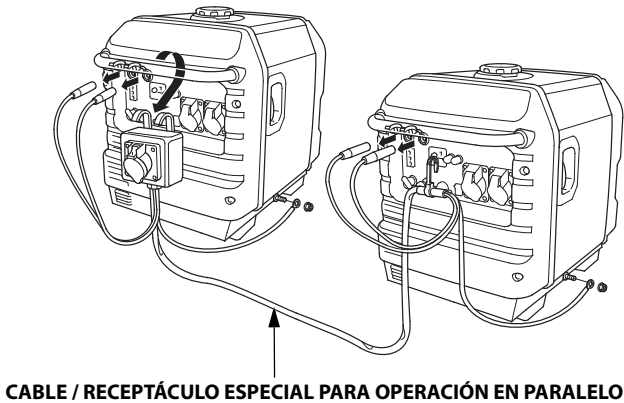
2. Desconecte el interruptor del motor (OFF).



3. Gire la palanca de la válvula del combustible a la posición OFF.



4. Cuando se ha realizado la operación en paralelo, extraiga el cable/receptáculo especial para operación en paralelo.



## 8. MANTENIMIENTO

El propósito del programa de mantenimiento y de ajuste es el conservar el generador en el mejor estado de funcionamiento. Inspeccione o realice el servicio según está programado en la tabla siguiente.

### ⚠ ADVERTENCIA

**Asegúrese de que el motor esté desconectado antes de comenzar cualquier trabajo de mantenimiento o de reparación. De este modo eliminará muchos peligros potenciales:**

- **Intoxicación por monóxido de carbono procedente del tubo de escape del motor. Asegúrese de que haya una ventilación adecuada siempre que tenga el motor en marcha.**
- **Quemaduras con piezas calientes. Espere a que se enfríen el motor y el sistema de escape antes de tocarlos.**
- **Lesiones por piezas en movimiento. No ponga en marcha el motor a menos que se lo indiquen las instrucciones.**

**El silenciador se calienta mucho durante la operación, y sigue caliente durante cierto tiempo después de haber parado el motor. Tenga cuidado y no toque el silenciador mientras esté caliente. Deje que se enfríe el motor antes realizar el mantenimiento.**

### ATENCIÓN:

**Emplee piezas originales Honda Genuine o sus equivalentes. El empleo de piezas de recambio que no son de calidad equivalente puede causar daños en el generador.**

### Programa de mantenimiento

PERIODO REGULAR DE MANTENIMIENTO (3)		Cada uso	Primer mes o 20 horas	Cada 3 meses o 50 horas	Cada 6 meses o 100 horas	Cada año o 300 horas	Página
Elemento	Se realiza en el mes o intervalo de horas de funcionamiento indicado, lo que se cumpla antes.						
Aceite del motor	Comprobar nivel	o					15
	Cambiar		o		o		44
Filtro de aire	Comprobar	o					45
	Limpiar			o (1)			
	Sustituir					o*	
Cubeta de sedimentos	Limpiar				o		47
Bujía	Comprobar/Ajustar				o		49
	Sustituir					o	
Ajuste de válvula	Comprobar/Ajustar					o (2)	-
Cámara de combustión	Limpiar		Cada 500 horas (2)				-
Depósito y filtro de combustible	Limpiar					o (2)	-
Tubo de combustible	Comprobar	Cada 2 años (cambiar en caso necesario (2))					-

NOTA: \* Cambie solo el tipo de elemento de papel.

- (1) Realice el servicio con mayor frecuencia cuando lo utilice en zonas polvorientas.
- (2) El servicio de estas partes deberá realizarlo su concesionario de servicio, a menos que usted disponga de las herramientas adecuadas y posea suficientes conocimientos mecánicos. Para ver los procedimientos de servicio, consulte el manual de taller Honda.
- (3) Para aplicaciones comerciales, registre las horas de operación para poder determinar los intervalos adecuados de mantenimiento.



## 1. CAMBIO DEL ACEITE

Drene el aceite mientras el motor esté todavía caliente para asegurar un drenaje rápido y completo.

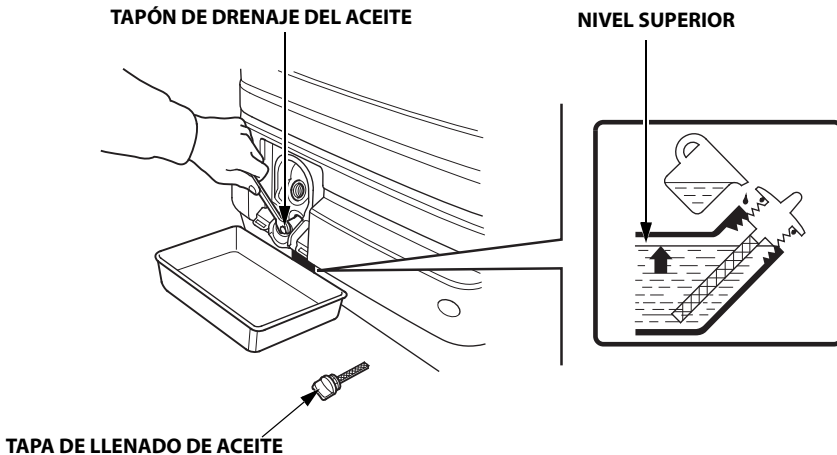
1. Abra y extraiga la cubierta de mantenimiento del aceite.
2. Extraiga la tapa de relleno de aceite y el tapón de drenaje de aceite y drene el aceite.
3. Instale el tapón de drenaje de aceite y apriételo con seguridad.

**PAR:** 18,0 N·m (1,8 kgf·m)

4. Llene hasta el nivel superior con el aceite recomendado (consulte la página 15).

**Capacidad de aceite del motor:** 0,55 l

5. Vuelva a instalar, cierre y enganche la cubierta de mantenimiento del aceite.



Lávese las manos con agua y jabón después de haber manipulado aceite usado.

NOTA:

Tire el aceite de motor usado de forma que sea compatible con el medio ambiente. Le sugerimos que lo guarde en un recipiente sellado y lo lleve a la gasolinera más cercana para su reciclaje. No lo tire a la basura ni al suelo.

## 2. MANTENIMIENTO DEL FILTRO DE AIRE

Un filtro de aire sucio restringirá el flujo de aire al carburador. Para evitar fallas en el funcionamiento, efectúe frecuentemente el servicio del filtro de aire. Efectúe el servicio con más frecuencia cuando el generador funcione en lugares extremadamente polvorientos.

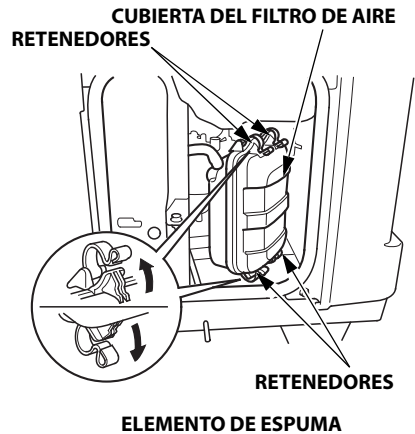
### ⚠ ADVERTENCIA

**Para la limpieza, no use gasolina ni disolventes de baja temperatura inflamación. Bajo ciertas condiciones, son inflamables y explosivos.**

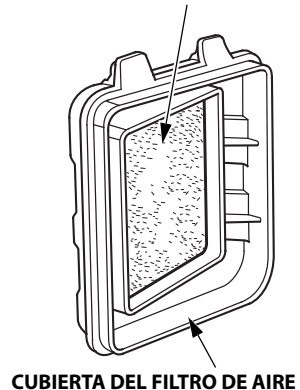
### ATENCIÓN:

**No hacer funcionar nunca el generador sin el filtro de aire. El motor se podría desgastar con rapidez.**

1. Abra la tapa de mantenimiento lateral izquierda.
2. Desenganche los retenedores, y extraiga la cubierta del filtro de aire.



3. Elemento de espuma:
  - a. Extraiga el elemento de espuma de la cubierta del filtro de aire.
  - b. Lave el elemento de espuma en una solución de detergente del hogar y agua tibia, exprímalo bien, o lávelo en solvente ininflamable o de alto punto de inflamación. Deje que el elemento de espuma se seque por completo.



c. Introduzca el elemento de espuma en aceite de motor limpio y exprima el aceite sobrante. El motor producirá humo durante el arranque inicial si se deja demasiado aceite en el elemento de espuma.

d. Vuelva a instalar el elemento de espuma en la cubierta del filtro de aire.

Limpiar

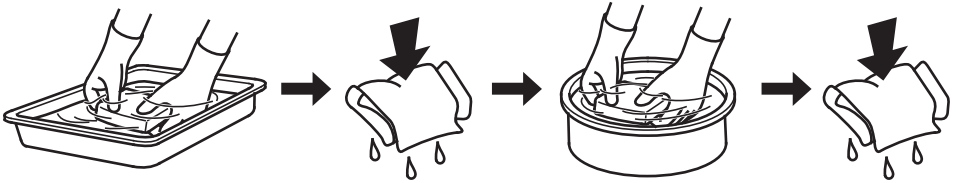
Estrujar y secar

Bañar en aceite

Estrujar

No retorcer.

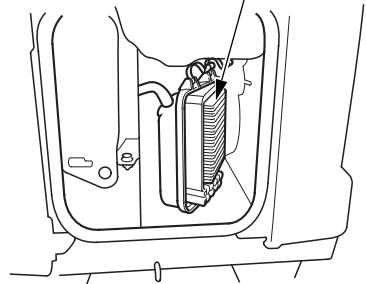
No retorcer.



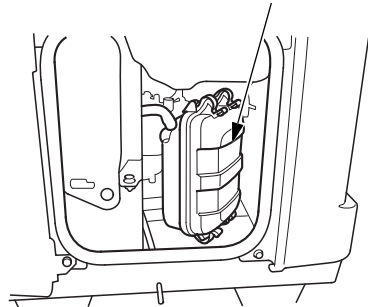
4. Elemento de papel:

Si el elemento de papel está sucio, reemplácelo por otro nuevo. No limpie el elemento de papel.

ELEMENTO DE PAPEL



CUBIERTA DEL FILTRO DE AIRE



5. Vuelva a instalar la cubierta del filtro de aire.

6. Cierre y enganche la tapa de mantenimiento lateral izquierda.

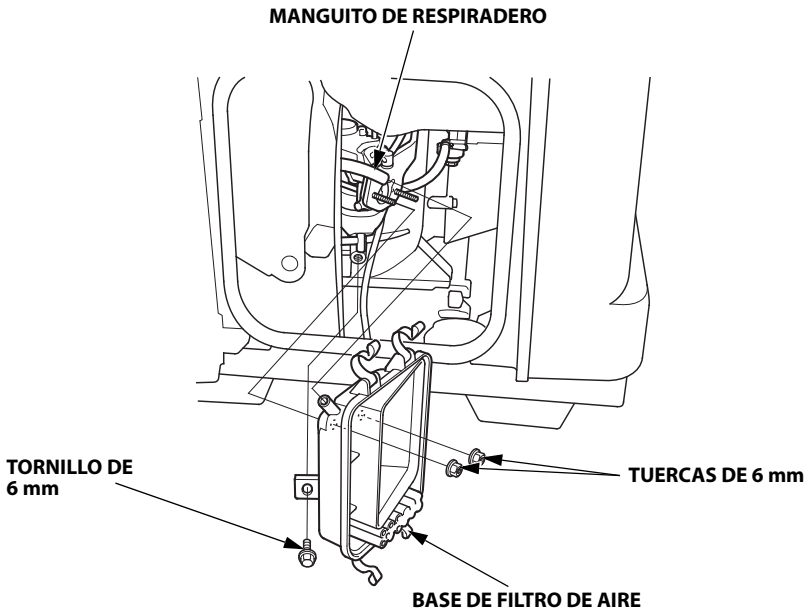
### 3. MANTENIMIENTO DE LA TAZA DE SEDIMENTOS DE COMBUSTIBLE

#### ⚠ ADVERTENCIA

**La gasolina es muy inflamable y explosiva bajo ciertas condiciones. No fume ni permita que haya fuego ni chispas en el lugar.**

La taza de sedimentos evita que pueda introducirse en el carburador la suciedad o el agua que pudiera haber en el depósito de combustible. Si no se ha hecho funcionar el motor durante mucho tiempo, deberá limpiarse el filtro.

1. Desconecte el interruptor del motor (OFF).
2. Gire la palanca de la válvula del combustible a la posición OFF.
3. Abra la tapa de mantenimiento lateral izquierda.
4. Extraiga la cubierta del filtro y el elemento de papel (vea las páginas 45 y 46).
5. Desconecte la manguera del respiradero de la base del filtro de aire.
6. Extraiga el perno de 6 mm y las dos tuercas de 6 mm, y extraiga la base del filtro de aire.

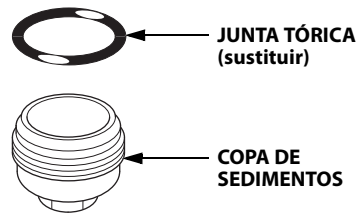
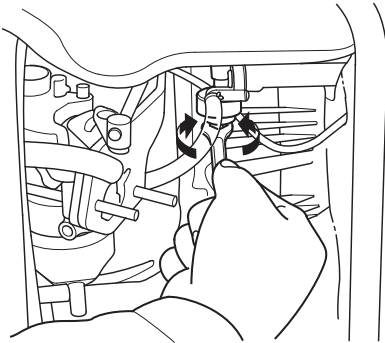


7. Extraiga la taza de sedimentos girándola hacia la izquierda.
8. Limpie la taza de sedimentos con solvente ininflamable o de alto punto de inflamación.
9. Vuelva a instalar una junta tórica nueva y la taza de sedimentos.
10. Gire la válvula de combustible a la posición ON y compruebe si hay fugas.

**⚠ ADVERTENCIA**

**Después de haber instalado la taza de sedimentos, asegúrese de apretarla bien. Compruebe si hay fugas de combustible y asegúrese de que el lugar esté seco antes de poner en marcha el motor.**

11. Vuelva a instalar la base del filtro de aire, y conecte la manguera de gases del respiradero a la base del filtro de aire.
12. Vuelva a instalar el elemento de papel en la cubierta del filtro de aire.
13. Cierre y enganche la tapa de mantenimiento lateral izquierda.



## 4. MANTENIMIENTO DE LA BUJÍA DE ENCENDIDO

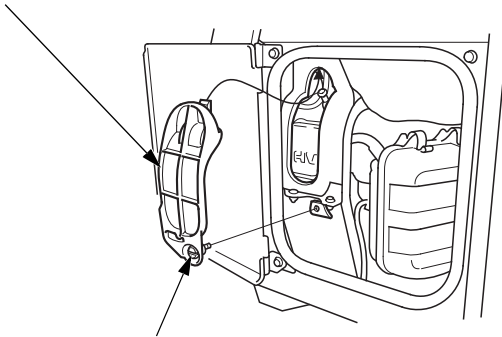
### BUJÍA DE ENECENDIDO RECOMENDADA:

BPR6ES (NGK), W20EPR-U (DENSO)

Para asegurar un buen funcionamiento del motor, la bujía deberá estar bien puesta y limpia.

1. Abra la tapa de mantenimiento lateral izquierda.
2. Afloje el tornillo de la cubierta y extraiga la cubierta de inspección de la bujía.

CUBIERTA DE INSPECCIÓN DE LA BUJÍA

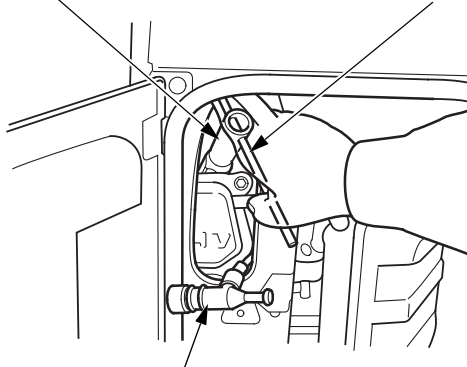


TORNILLO DE LA CUBIERTA

3. Extraer el sombrerete de la bujía.
4. Limpiar la suciedad en torno a la base de la bujía.
5. Emplee una llave de bujías para extraer la bujía.

LLAVE DE BUJÍAS

MANGO DE LLAVE



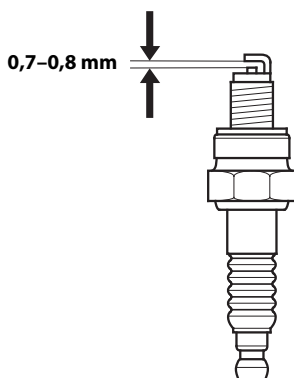
CAPUCHÓN DE LA BUJÍA

6. Inspeccione visualmente la bujía. Tírela si el aislador está agrietado, partido, o muy sucio. Limpie la bujía con un cepillo de alambre si debe volver a utilizarla.
7. Mida la separación entre los electrodos con una galga de espesores. Corrija si es necesario doblando el electrodo lateral.

**El huelgo deberá ser:**

0,7 – 0,8 mm

**SEPARACIÓN ENTRE ELECTRODOS**



8. Inserte la bujía a la mano con cuidado, evitando cruzar las roscas.
9. Después de haber asentado a mano la bujía nueva, apriete 1/2 vuelta con una llave de bujía para comprimir la arandela.  
Si se vuelve a instalar una bujía ya usada, solo deberá apretarse 1/8 - 1/4 de vuelta adicional.

**PAR:** 18,0 N·m (1,8 kgf·m)

10. Vuelva a instalar la cubierta de inspección de la bujía y apriete el tornillo de la cubierta.
11. Cierre y enganche la tapa de mantenimiento lateral izquierda.

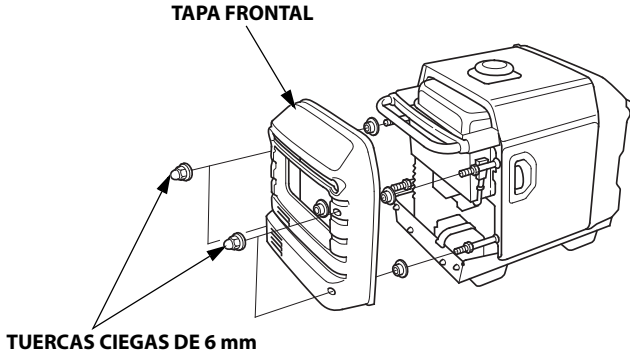
**ATENCIÓN:**

- **La bujía deberá apretarse bien. Si no se aprieta bien se puede calentar mucho y puede dañar el generador.**
- **No utilizar jamás bujías de un valor térmico inadecuado.**

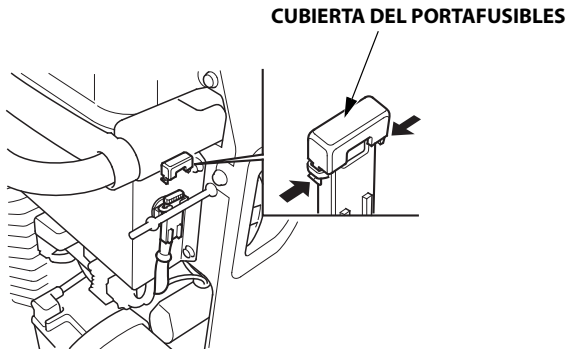
## 5. CAMBIO DEL FUSIBLE

Si se quema el fusible, el motor de arranque o funcionará hasta que se reemplace.

1. Desconecte el interruptor del motor (OFF).
2. Extraiga las cuatro tuercas ciegas de 6 mm y la tapa frontal.



3. Extraiga la tapa del portafusible y cambie el fusible.  
Fusible especificado: 5 A



### ATENCIÓN:

- Si el fusible se quema con frecuencia, determine la causa y solucione el problema antes de intentar seguir utilizando el generador.
- No utilice nunca un fusible con un amperaje distinto al especificado. Podrían producirse daños graves en el sistema eléctrico o podría producirse un incendio.



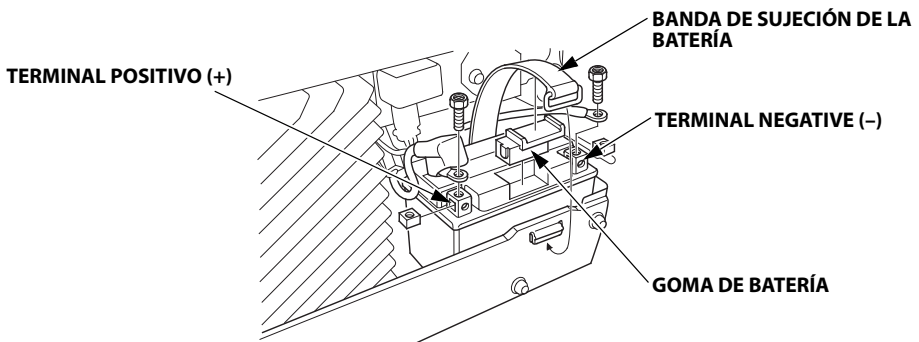
## 6. EXTRACCIÓN E INSTALACIÓN DE LA BATERÍA

### ⚠ ADVERTENCIA

- Las baterías producen gases explosivos. Si se inflaman, la explosión puede causar graves daños personales o ceguera. Proporcione una ventilación apropiada cuando efectúe la carga.
- PELIGRO DE AGENTES QUÍMICOS: El electrólito de la batería contiene ácido sulfúrico. El contacto con los ojos o la piel, incluso a través de la ropa, puede causar quemaduras graves. Utilice una pantalla para la cara y póngase ropa de protección.
- Mantenga las llamas y chispas alejadas, y no fume en el área.  
**ANTÍDOTO:** Si le ha entrado electrólito en los ojos, lávese con agua tibia durante 15 minutos por lo menos, y luego vaya inmediatamente al médico.  
**VENENO:** El electrólito es venenoso.
- **ANTÍDOTO**
  - Externo: Lave a fondo con agua.
  - Interno: Beba grandes cantidades de agua o leche. Siga con leche de magnesia o aceite vegetal, y llame inmediatamente a un médico.
- MANTENER ALEJADO DEL ALCANCE DE LOS NIÑOS.

### Extracción:

1. Desconecte el interruptor del motor (OFF).
2. Extraiga las cuatro tuercas ciegas de 6 mm y la tapa frontal. (vea la página 51)
3. Extraiga la banda del soporte de la batería.
4. Desconecte el cable de la batería en el terminal negativo (-) de la batería, y luego en el terminal positivo (+) de la batería.



5. Extraiga la batería y la goma de la batería de la plataforma de la batería.

---

### Instalación:

1. Asegúrese de que el interruptor del motor esté en la posición OFF.
2. Conecte el cable positivo de la batería (+) en el terminal positivo de la batería (+), luego el cable negativo (-) en el terminal negativo (-). Apriete bien los pernos y tuercas.
3. Instale la goma de la batería y la banda del soporte de la batería.
4. Instale la tapa frontal, e instale las cuatro tuercas de la tapa de 6 mm.

### ATENCIÓN:

**Cuando desconecte el cable de la batería, asegúrese de desconectar primero el del terminal negativo (-) de la batería. Para la conexión, conecte primero en el terminal positivo (+), y luego en el terminal negativo (-). No desconecte ni conecte nunca el cable de la batería en el orden inverso, porque podría producir un cortocircuito cuando una herramienta se pusiera en contacto con los terminales.**



Este símbolo que hay en la batería significa que este producto no debe tratarse como la basura de casa.

### NOTA:

La eliminación inadecuada de la batería puede ser perjudicial para el medio ambiente y la salud pública.

Para su eliminación, confirme siempre las regulaciones locales.

## 9. TRANSPORTE/ALMACENAJE

Para evitar que se salga el combustible cuando transporte la unidad o cuando la tenga almacenada, el generador deberá asegurarse recto en su posición normal de operación, con el interruptor del motor en la posición OFF.

La palanca de la válvula del combustible deberá girarse a la posición OFF.

### ⚠ ADVERTENCIA

**Cuando transporte el generador:**

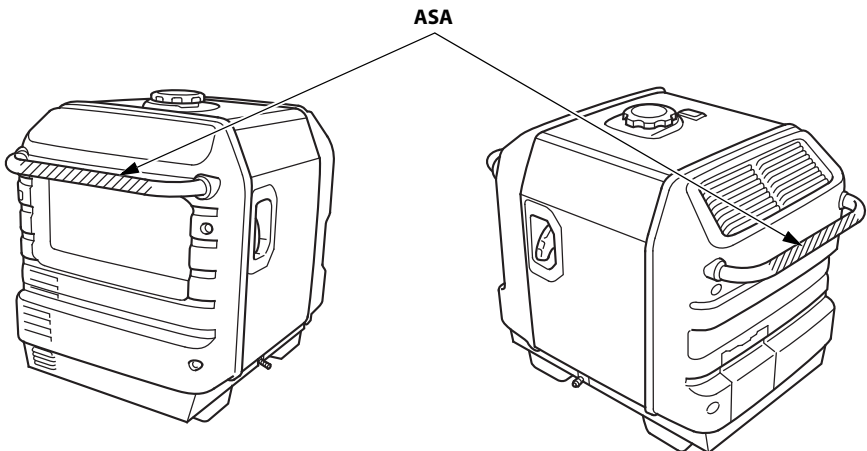
- **No llene excesivamente el depósito.**
- **No ponga en funcionamiento el generador mientras esté en un vehículo. Baje el generador del vehículo y úselo en un lugar bien ventilado.**
- **Evite los lugares expuestos a la luz directa del sol cuando ponga el generador en un vehículo. Si se deja el generador en un vehículo cerrado durante muchas horas, las altas temperaturas del interior del vehículo podrían ocasionar la evaporación del combustible y producir una explosión.**
- **No circule por carreteras en mal estado durante períodos prolongados con el generador cargado en el vehículo. Si debe transportar el generador por carreteras en mal estado, drene el combustible del generador de antemano.**

NOTA:

Para levantar el generador, agárrelo por la parte de sujeción (las áreas sombreadas en la figura de abajo) junto con sus ayudantes.

De acuerdo con la NORMA EUROPEA EN ISO 8528-13

*Para el transporte, el grupo generador de 140 kg debe disponer de los medios para que pueda ser llevado por 4 personas.*



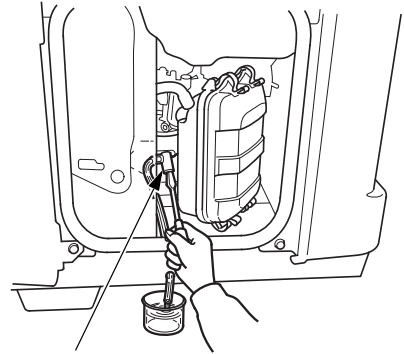
Antes de almacenar el aparato durante periodos prolongados:

1. Asegúrese de que el lugar esté exento de humedad y polvo excesivos.
2. Drene el combustible.

**▲ ADVERTENCIA**

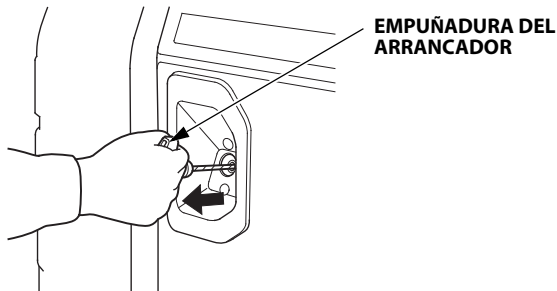
**La gasolina es muy inflamable y explosiva bajo ciertas condiciones. Efectúe este trabajo en un lugar bien ventilado con el motor parado. No fume ni permita que haya fuego o chispas en el lugar durante este procedimiento.**

- a. Abra la tapa de mantenimiento lateral izquierda.
- b. Gire la palanca de la válvula del combustible a la posición ON y afloje el tornillo de drenaje del carburador. Drene la gasolina del carburador y del depósito de combustible en un recipiente adecuado.
- c. Apriete el tornillo de drenaje del carburador, gire la palanca de la válvula del combustible a la posición OFF y cierre la tapa de mantenimiento lateral izquierda.



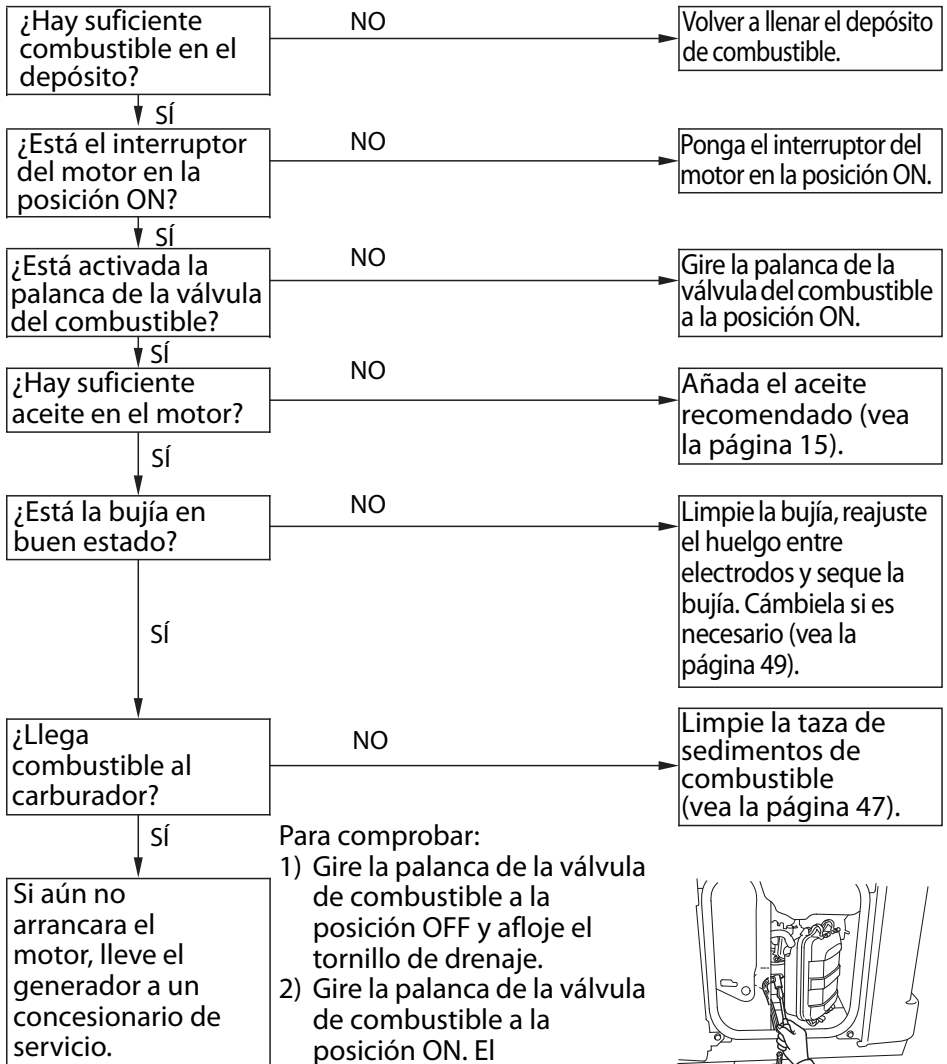
**TORNILLO DE DRENAJE**

3. Recargue la batería una vez el mes.
4. Cambiar el aceite del motor.
5. Quitar la bujía y verter una cucharada aproximadamente de aceite de motor limpio en el cilindro. Girar el motor varias veces para distribuir el aceite y volver a instalar la bujía.
6. Tire lentamente de la empuñadura del arrancador hasta que se note cierta resistencia. En ese punto, el pistón está llegando a su carrera de compresión y las válvulas de admisión y escape están cerradas. Guardando el motor en esa posición ayudará a protegerlo contra la corrosión interna.



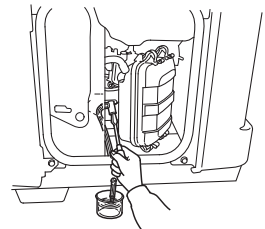
# 10. RESOLUCIÓN DE PROBLEMAS

Cuando el motor no arranque:



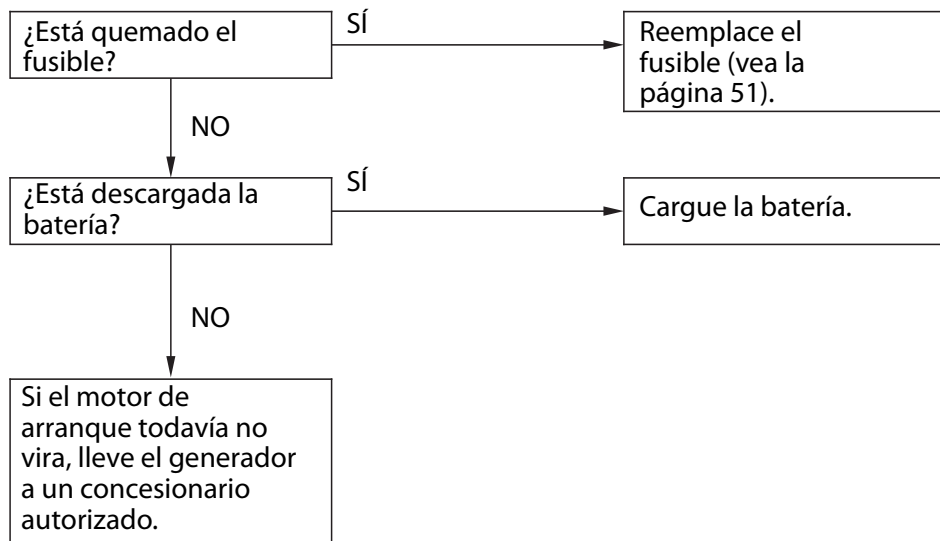
Para comprobar:

- 1) Gire la palanca de la válvula de combustible a la posición OFF y afloje el tornillo de drenaje.
- 2) Gire la palanca de la válvula de combustible a la posición ON. El combustible deberá salir por el orificio de drenaje.

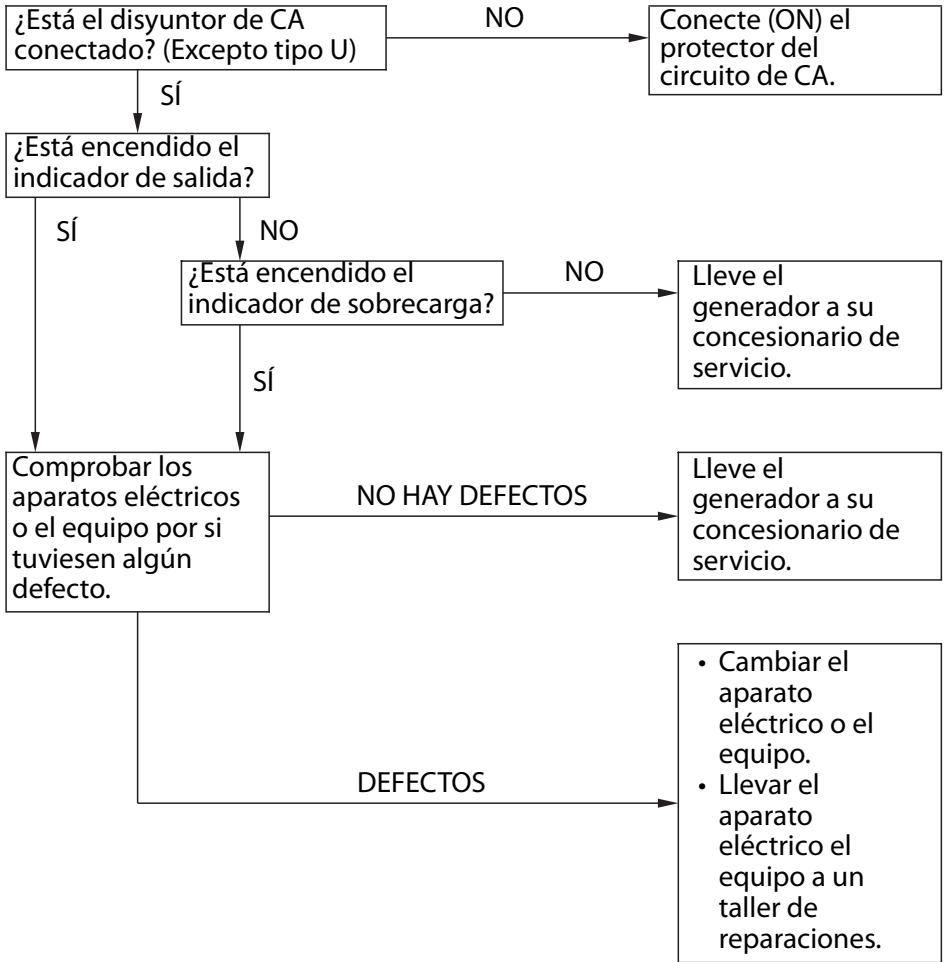


---

El motor de arranque no vira:



El aparato no funciona:



No hay electricidad en el receptáculo de CC:



# 11. ESPECIFICACIONES

## Dimensiones y peso

Modelo		EU30is1
Código de descripción		EZGF
Longitud	(Tipo de patas)	658 mm
	(Tipo de ruedas)	658 mm
Ancho	(Tipo de patas)	447 mm
	(Tipo de ruedas)	482 mm
Alto	(Tipo de patas)	558 mm
	(Tipo de ruedas)	570 mm
Masa en seco (peso)	(Tipo de patas)	59,0 kg
	(Tipo de ruedas)	61,2 kg

## Motor

Modelo	GX200T2
Tipo de motor	4 tiempos, monocilíndrico, válvulas en culata
Cilindrada	196 cm <sup>3</sup>
Diámetro x carrera	68,0x54,0 mm
Relación de compresión	8,5:1
Velocidad del motor	2.500-3.800 min <sup>-1</sup> 3.500-3.800 min <sup>-1</sup> (con acelerador Eco en OFF)
Sistema de refrigeración	Aire forzado
Sistema de encendido	Magneto de transistor
Capacidad de aceite	0,55 l
Capacidad del depósito de combustible	13,0 l
Bujía	BPR6ES (NGK) W20EPR-U (DENSO)
Batería	12 V 8,6 Ah/10 HR
Emisiones de dióxido de carbono (CO <sub>2</sub> )*	Consulte "Lista de información sobre CO <sub>2</sub> " en <a href="http://www.honda-engines-eu.com/co2">www.honda-engines-eu.com/co2</a>

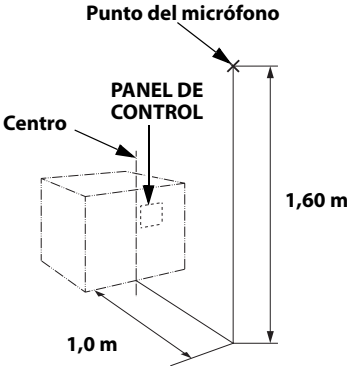
\* La medición del CO<sub>2</sub> es el resultado de probar en condiciones de laboratorio a lo largo de un ciclo de ensayos fijos un motor (de origen) representativo del tipo de motor (familia de motores), sin que ello constituya garantía implícita o expresa del rendimiento de un motor en particular.

## Generador

Modelo	EU30is1	
Tipo	F, G, GW1, B	
Salida de CA	Tensión nominal (V)	230
	Frecuencia nominal (Hz)	50
	Corriente nominal (A)	12,2
	Potencia nominal (kVA)	2,8
	Potencia máxima (kVA)	3,0
Salida nominal de CC	Sólo para cargar baterías de automóviles de 12 V. 12 V, 12 A	



## Ruido

Modelo	EU30is1
Tipo	F, G, GW1, B
Nivel de presión sonora en la estación de trabajo (2006/42/CE)	74 dB (A) (con el acelerador Eco activado)
 <p>Punto del micrófono</p> <p>PANEL DE CONTROL</p> <p>Centro</p> <p>1,60 m</p> <p>1,0 m</p>	
Incertidumbre	2 dB (A)
Medición del nivel de potencia del ruido (2000/14/EC, 2005/88/EC)	89 dB (A) (con el acelerador Eco activado)
Incertidumbre	2 dB (A)
Nivel garantizado de potencia del ruido (2000/14/EC, 2005/88/EC)	91 dB (A) (con el acelerador Eco activado)

"los valores indicados son los niveles de emisiones y no son necesariamente niveles para trabajar con seguridad. Aunque existe cierta relación entre los niveles de las emisiones y los de exposición a los mismos, no pueden utilizarse de forma segura para determinar si deben tomarse precauciones adicionales. Los factores que afectan el nivel real de exposición de los trabajadores incluyen las características del local de trabajo, las otras fuentes de ruido, etc., como por ejemplo el número de máquinas y demás procesos adyacentes, y la duración durante la que un operario está expuesto al ruido. Además el nivel de exposición permisible puede variar según el país. No obstante, esta información permitirá al usuario de la máquina efectuar una mejor evaluación del peligro y del riesgo".

### NOTA:

Las especificaciones están sujetas a cambios sin previo aviso.

## 12. DIAGRAMA DE CONEXIONES

### ÍNDICE

(Vea el interior de la cubierta posterior)

EU30is: Tipos G, GW1, B y F.....W-1

### ABREVIATURAS

<b>Símbolo</b>	<b>Designación</b>
ACCP	Protector del circuito de CA
ACNF	Filtro de ruido de CA
ACOR	Receptáculo de salida de CA
Bat	Batería
ChW	Devanado de carga
CPB	Bloque de panel de control
CPG	Tierra del panel de control
CSw	Interruptor selector
DCCP	Protector de circuito de CC
DCD	Diodo de CC
DCNF	Filtro de ruido de CC
DCOR	Receptáculo de salida de CC
DCW	Devanado de CC
EcoSw	Interruptor del acelerador Eco
EgB	Bloque del motor
EgG	Tierra del motor
ESw	Interruptor del motor
FB	Bloque del bastidor
FU	Fusible
GeB	Bloque del generador
GT	Terminal de tierra
ICU	Unidad de control del encendido
IgC	Bobina de encendido
IU	Inversor
MW	Devanado principal
OAL	Indicador de aviso del aceite
OI	Indicador de sobrecarga
OLSw	Interruptor de nivel de aceite

<b>Símbolo</b>	<b>Designación</b>
PL	Indicador de salida
POR	Operación en paralelo
Reg	Receptáculo
SP	Regulador
StM	Bujía de encendido
StpM	Motor de arranque
StR	Motor eléctrico de paso a paso
SW	Relé de arranque Subdevanado

### CÓDIGO DE COLORES DE CABLES

Bl	NEGRO
Y	AMARILLO
Bu	AZUL
G	VERDE
R	ROJO
W	BLANCO
Br	MARRÓN
Lg	VERDE CLARO
Gr	GRIS
Lb	AZUL CLARO
O	NARANJA
P	ROSA

---

## CONEXIONES DE INTERRUPTORES

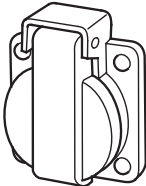
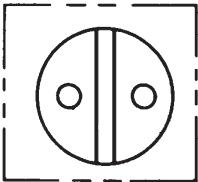
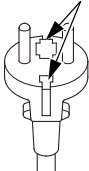
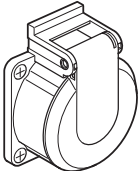
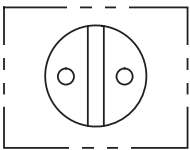
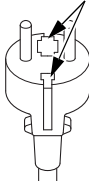
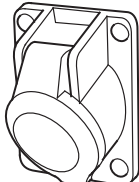
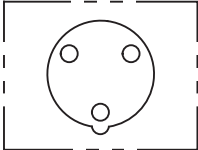
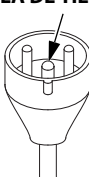
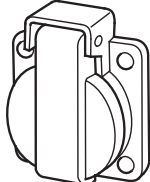
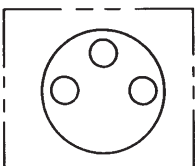
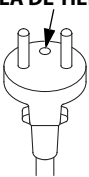
### INTERRUPTOR SELECTOR

	IG	E	BAT	ST	FS	G
OFF	○—○				○—○	
ON						
START			○—○			

### INTERRUPTOR DEL ACCELERADOR ECO

	BI/R	G/W	ACCELERADOR ECO
ON	○—○		OFF
OFF			ON

## RECEPTÁCULO

Tipo	Forma		Clavija
G			<p data-bbox="815 225 997 245"><b>PATILLA DE TIERRA</b></p> 
GW1			<p data-bbox="815 437 997 458"><b>PATILLA DE TIERRA</b></p> 
B			<p data-bbox="815 649 997 670"><b>PATILLA DE TIERRA</b></p> 
F			<p data-bbox="815 861 997 882"><b>PATILLA DE TIERRA</b></p> 

---

**NOTA**

**Honda EU30is**

**MANUALE DELL'UTENTE**  
Traduzione delle istruzioni originali





---

La ringraziamo per aver acquistato un generatore Honda.

Il presente manuale descrive le procedure d'uso e manutenzione del generatore EU30is.

Tutte le informazioni contenute in questa pubblicazione si basano sulle più recenti informazioni sul prodotto disponibili al momento della stampa.

Honda Motor Co., Ltd. si riserva il diritto di apportare modifiche in qualunque momento senza preavviso e senza incorrere in alcun obbligo.

Nessuna parte di questo manuale può essere riprodotta senza autorizzazione scritta.

Questo manuale va considerato come parte integrante del generatore e dovrà quindi accompagnare il prodotto anche in caso di rivendita.

Prestare particolare attenzione alle indicazioni precedute dalle seguenti parole:

**⚠ AVVERTENZA** Indica una forte possibilità di gravi lesioni personali o di morte nel caso in cui non ci si attenga alle istruzioni.

**ATTENZIONE:** Indica la possibilità di lesioni personali o alle attrezzature in caso di mancato rispetto delle istruzioni.

NOTA: Fornisce informazioni utili.

In caso di problemi o domande concernenti il generatore, rivolgersi a un concessionario autorizzato Honda.

**⚠ AVVERTENZA**

**Il generatore Honda è progettato per garantire un funzionamento sicuro e affidabile, a condizione che venga utilizzato seguendo le istruzioni. Leggere attentamente il Manuale dell'utente prima di azionare il generatore. In caso contrario potrebbero verificarsi lesioni personali o danni alle attrezzature.**

Le illustrazioni possono variare in base al tipo di macchina.



# INDICE

---

1. NORME DI SICUREZZA.....	3
2. POSIZIONE DELLE ETICHETTE DI SICUREZZA.....	7
• Posizione marchio CE ed etichetta del livello acustico .....	10
3. IDENTIFICAZIONE DEI COMPONENTI.....	11
4. CONTROLLI PRELIMINARI.....	15
5. AVVIAMENTO DEL MOTORE.....	20
• Funzionamento ad altitudini elevate.....	26
6. USO DEL GENERATORE .....	27
7. ARRESTO DEL MOTORE.....	41
8. MANUTENZIONE .....	43
9. TRASPORTO/RIMESSAGGIO .....	54
10. RICERCA GUASTI.....	56
11. SPECIFICHE TECNICHE.....	59
12. SCHEMA ELETTRICO .....	61
COLLEGAMENTI DEGLI INTERRUTTORI .....	62
PRESA .....	63
INDIRIZZI DEI PRINCIPALI DISTRIBUTORI Honda .....	Interno retro copertina
DESCRIZIONE DEL CONTENUTO DELLA	
“Dichiarazione CE di conformità” .....	Interno retro copertina

## **INFORMAZIONI IMPORTANTI SULLA SICUREZZA**

I generatori Honda sono progettati per essere usati con attrezzature elettriche dotate dei requisiti elettrici adeguati. Un utilizzo di diverso tipo potrebbe causare lesioni all'operatore o danni al generatore e ad altre proprietà. Per prevenire incidenti è necessario attenersi alle istruzioni riportate nel presente manuale e sul generatore stesso. Di seguito verranno illustrati i rischi più comuni e alcuni consigli per proteggere se stessi e gli altri.

Non tentare mai di apportare modifiche al generatore. Questo potrebbe provocare incidenti o danni al generatore e alle apparecchiature a esso collegate. In caso di interventi sul motore si annulla l'approvazione del modello UE.

- Non collegare prolunghe al silenziatore.
- Non modificare il sistema di aspirazione.
- Non eseguire regolazioni sul regolatore.
- Non rimuovere il pannello comandi né modificare la disposizione dei cavi.

## **Responsabilità dell'operatore**

Acquisire familiarità con le procedure necessarie ad arrestare rapidamente il generatore in caso di emergenza.

Saper usare tutti i comandi del generatore, conoscere le prese di uscita e i collegamenti.

Accertarsi che tutti coloro che utilizzano il generatore siano sufficientemente addestrati. Non permettere ai bambini di usare il generatore senza la supervisione di un adulto.

Rispettare le istruzioni sull'utilizzo e la manutenzione del generatore riportate nel presente manuale. Il mancato o parziale rispetto delle istruzioni può causare incidenti come scosse elettriche, nonché il deterioramento dei gas di scarico.

Attenersi a tutte le leggi e le normative in vigore nel paese in cui deve essere utilizzato il generatore.

La benzina e l'olio sono prodotti tossici. Prima dell'uso, leggere le istruzioni fornite da ciascun produttore.

Posizionare il generatore in piano prima di azionarlo.

Non azionare il generatore se anche uno dei coperchi è rimosso. Mani o piedi potrebbero restare impigliati nel generatore e causare incidenti.

Per lo smontaggio e gli interventi di manutenzione del generatore non previsti nel presente manuale, rivolgersi al proprio concessionario autorizzato Honda.

---

## **Pericoli di intossicazione da monossido di carbonio**

I gas di scarico contengono monossido di carbonio, un gas velenoso incolore e inodore. La sua respirazione può causare la perdita di coscienza e portare alla morte.

Se si aziona il generatore in un ambiente chiuso o ristretto, l'aria che si respira potrebbe contenere una quantità pericolosa di gas di scarico.

Non azionare mai il generatore all'interno di garage, abitazioni o in prossimità di porte o finestre aperte.

## **Pericolo di scosse elettriche**

Il generatore produce una quantità di energia elettrica sufficiente a provocare scosse elettriche di notevole intensità o elettrocuzione in caso di uso improprio. L'utilizzo del generatore o delle apparecchiature elettriche in condizioni di elevata umidità, come in caso di pioggia o in presenza di neve, in prossimità di specchi d'acqua o impianti di irrigazione, oppure con le mani bagnate, potrebbe provocare elettrocuzione.

Tenere il generatore asciutto.

Se il generatore viene conservato all'aperto, senza alcuna protezione dagli agenti atmosferici, controllare tutti i componenti elettrici sul pannello di controllo prima di ogni utilizzo. Umidità e ghiaccio possono causare guasti o cortocircuiti nei componenti elettrici provocando elettrocuzione.

In caso di elettrocuzione, consultare immediatamente un medico e sottoporsi a cure adeguate.

---

## **Pericolo di incendi e di ustioni**

Non usare il generatore in zone a elevato rischio di incendio.

Il sistema di scarico si surriscalda al punto da infiammare alcuni tipi di materiali.

- Durante l'utilizzo, tenere il generatore ad almeno 1 metro di distanza da edifici e altre attrezzature.
- Non chiudere il generatore in nessun tipo di struttura.
- Tenere i materiali infiammabili lontani dal generatore.

Alcune parti del motore a combustione interna diventano molto calde e potrebbero provocare ustioni. Prestare attenzione alle avvertenze riportate sul generatore.

Il silenziatore diventa estremamente caldo durante il funzionamento e può rimanere caldo anche in seguito allo spegnimento del motore. Non toccare il silenziatore mentre è caldo. Lasciar raffreddare il motore prima di riporre il generatore in un luogo chiuso.

In caso di incendio, evitare di tentare di estinguerlo versando acqua direttamente sul generatore. Usare un estintore apposito per incendi provocati da oli o componenti elettrici.

In caso di inalazione dei fumi generati da un incendio accidentale del generatore, consultare un medico e richiedere un trattamento medico immediato.

## **Effettuare il rifornimento con la dovuta cautela**

La benzina è estremamente infiammabile e i suoi vapori possono causare esplosioni.

Attendere il raffreddamento del motore dopo l'utilizzo del generatore.

Eeguire il rifornimento esclusivamente in aree ben ventilate e a motore spento.

Non rifornire il serbatoio mentre il generatore è in funzione.

Non riempire eccessivamente il serbatoio del carburante.

Non fumare in prossimità della benzina e tenere lontano altre fiamme o scintille.

Riporre la benzina sempre in un contenitore apposito.

Assicurarsi che il carburante fuoriuscito sia stato asciugato e pulito prima di avviare il motore.

---

## Conformità alle norme antiesplorione

Questo generatore non è conforme alle norme di sicurezza antiesplorione.

### Smaltimento

Nel rispetto dell'ambiente, non smaltire il generatore, la batteria, l'olio motore, ecc. del generatore insieme ai normali rifiuti.

Attenersi alle leggi o normative locali o rivolgersi al proprio concessionario autorizzato Honda per smaltire tali componenti.

Smaltire l'olio esausto secondo metodi e procedure conformi al rispetto dell'ambiente. Trasportarlo in un contenitore sigillato alla stazione di rifornimento locale. Non gettarlo nella spazzatura o rovesciarlo a terra.

Una batteria smaltita in modo inappropriato può danneggiare l'ambiente. Verificare sempre le norme locali vigenti per lo smaltimento delle batterie. Contattare il concessionario Honda per la sostituzione.

### SMALTIMENTO GENERATORE

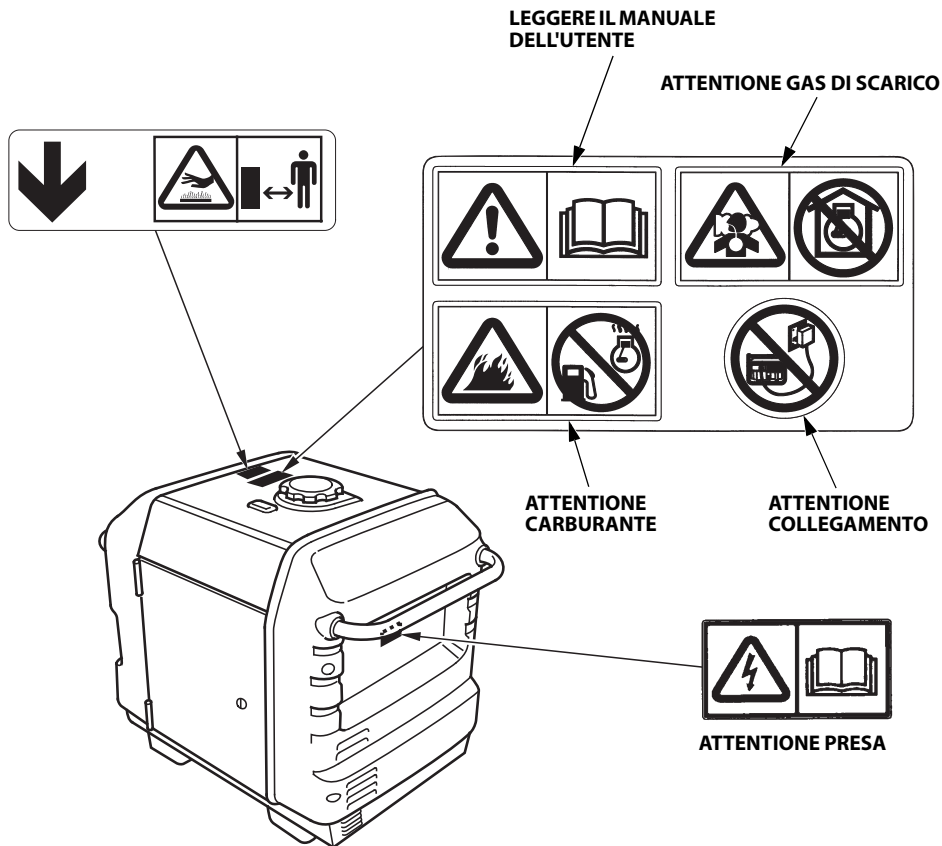


Non smaltire le apparecchiature elettriche con i rifiuti domestici tradizionali. Le apparecchiature elettriche devono essere smaltite in discariche o depositi specifici in quanto contenenti sostanze che possono fuoriuscire e causare reazioni impreviste, oppure entrare nella catena alimentare, danneggiando salute e benessere degli esseri umani. Per ulteriori informazioni sulle modalità di smaltimento di questo prodotto, contattare il concessionario, oppure il più vicino centro di raccolta dei rifiuti domestici.

## 2. POSIZIONE DELLE ETICHETTE DI SICUREZZA

Queste etichette indicano i potenziali pericoli che possono causare lesioni gravi. Leggere attentamente le etichette, le norme di sicurezza e le precauzioni riportate nel presente manuale.

Se un'etichetta si stacca o diventa illeggibile, rivolgersi a un concessionario per richiederne la sostituzione.

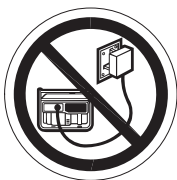




- Il generatore Honda è progettato per garantire un funzionamento sicuro e affidabile, a condizione che venga utilizzato seguendo le istruzioni. Leggere attentamente il Manuale dell'utente prima di azionare il generatore. In caso contrario potrebbero verificarsi lesioni personali o danni alle attrezzature.



- I gas di scarico contengono monossido di carbonio, un gas velenoso incolore e inodore. L'inalazione di monossido di carbonio può causare perdita di conoscenza e portare al decesso.
- Se si aziona il generatore in un ambiente chiuso o ristretto, l'aria che si respira potrebbe contenere una quantità pericolosa di gas di scarico.
- Non azionare mai il generatore all'interno di un garage, di un'abitazione o in prossimità di porte o finestre aperte.



- Collegamenti non corretti all'impianto elettrico di un edificio possono causare un ritorno di corrente dal generatore verso le linee della rete elettrica. Tale corrente di ritorno potrebbe causare la folgorazione del personale dell'azienda elettrica o di coloro che entrano in contatto con le linee durante un'interruzione dell'alimentazione; inoltre, al momento del ripristino dell'alimentazione di rete, il generatore potrebbe esplodere, infiammarsi o provocare incendi. Consultare l'azienda elettrica o un elettricista qualificato prima di eseguire qualsiasi collegamento elettrico.



- **La benzina è altamente infiammabile ed esplosiva. Spegner il motore e farlo raffreddare prima di effettuare il rifornimento.**



- **Un sistema di scarico bollente può causare gravi ustioni. Evitare il contatto con il motore dopo che è stato utilizzato.**



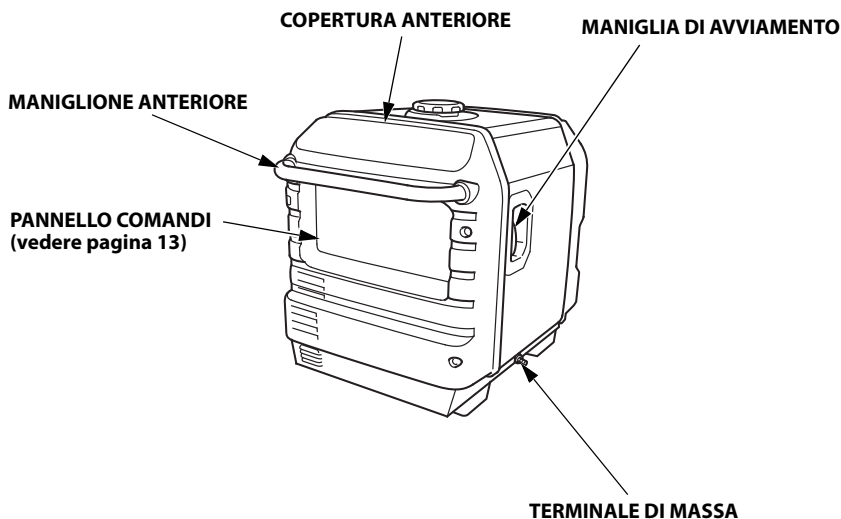
- **Collegare e rimuovere la scatola della presa per il funzionamento parallelo a motore spento.**
- **Per il funzionamento in modalità singola, è necessario rimuovere la scatola presa utilizzata per il funzionamento in modalità parallela.**





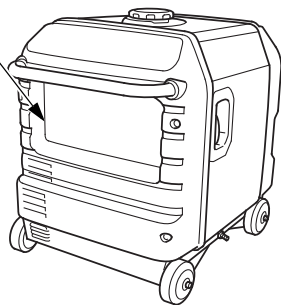
### 3. IDENTIFICAZIONE DEI COMPONENTI

#### <TIPO CON SUPPORTO>



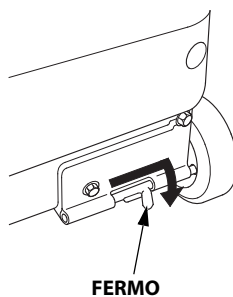
#### <TIPO CON RUOTE>

PANNELLO COMANDI  
(vedere pagina 13)

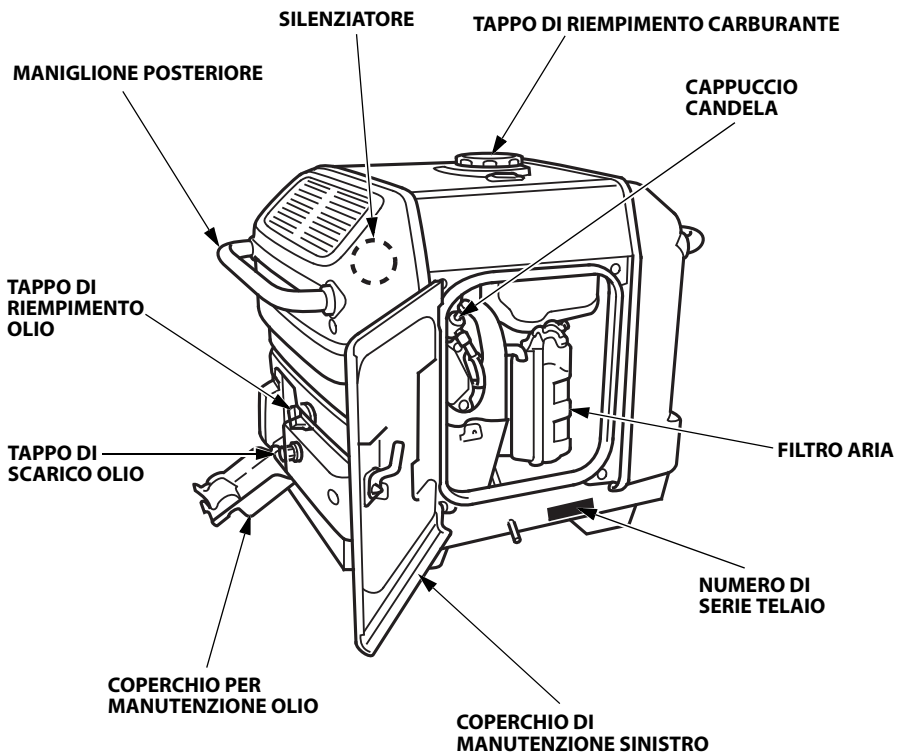


#### NOTA:

Se le quattro ruote non poggiano saldamente sul pavimento, il generatore potrebbe non essere sufficientemente stabile. Prima della messa in funzione, verificare che le quattro ruote poggino saldamente sul pavimento.



Sollevare la leva del fermo e spingere il fermo nella direzione della freccia fino a quando non entra nel foro della ruota, quindi abbassare la leva del fermo. Verificare che la ruota sia bloccata.

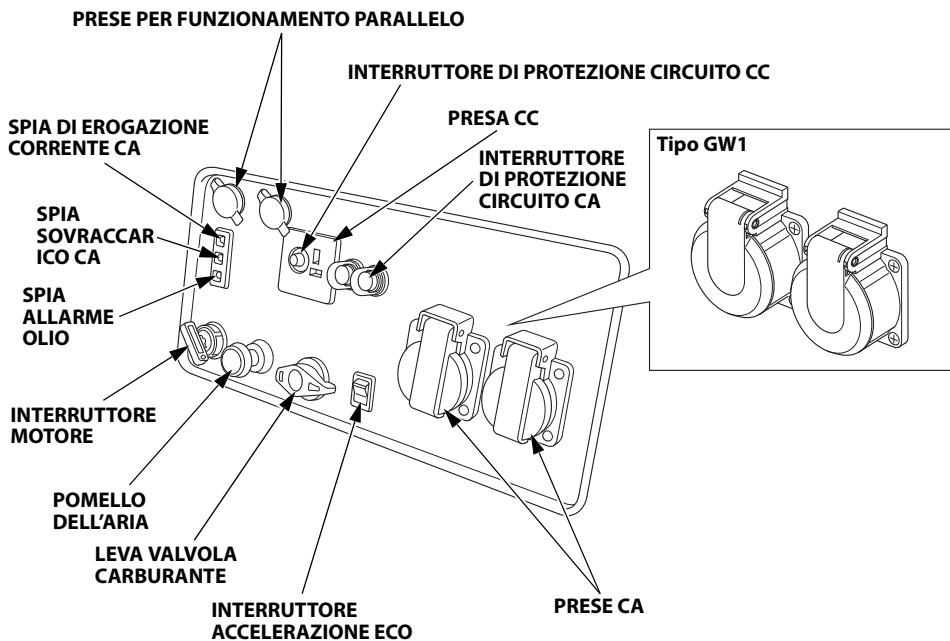


Annotare il numero di serie del telaio nello spazio sottostante. Sarà necessario per ordinare i ricambi.

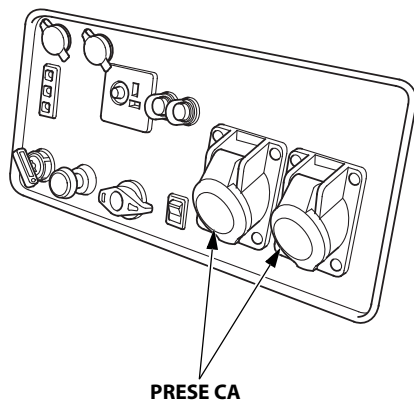
Numero di serie telaio: \_\_\_\_\_

## PANNELLO COMANDI

### Tipi F, G, GW1



### Typo B



## Accelerazione Eco

### ON:

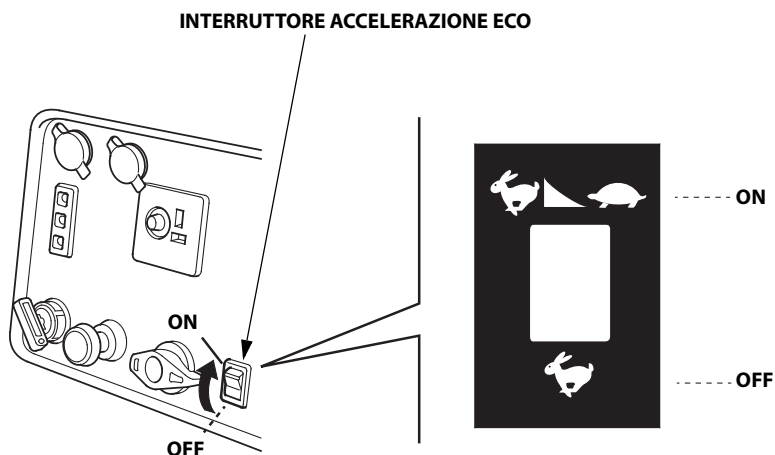
Il regime del motore è tenuto automaticamente al minimo quando l'apparecchio non è collegato e ritorna a una potenza adeguata al carico elettrico quando l'apparecchio è collegato. Si consiglia l'uso di tale modalità per ridurre al minimo il consumo di carburante durante il funzionamento.

### NOTA:

- Quando si collegano contemporaneamente apparecchi con carichi elettrici elevati, portare l'interruttore di accelerazione Eco in posizione OFF per ridurre le variazioni di tensione.
- La funzione di accelerazione Eco non funziona adeguatamente se l'apparecchio elettrico richiede temporaneamente un livello di potenza maggiore.

### OFF:

Il sistema di accelerazione Eco non è in funzione. Il regime motore viene mantenuto nell'intervallo (con interruttore di accelerazione Eco su OFF) indicato nella pagina delle "SPECIFICHE".



## 4. CONTROLLI PRELIMINARI

### Chiave di riserva

Il generatore è fornito con due chiavi. Tagliare l'etichetta di plastica per rimuovere la chiave di riserva, quindi conservare la chiave in un luogo sicuro.

### ATTENZIONE:

**Accertarsi di controllare il generatore collocandolo su una superficie priva di inclinazioni, a motore spento.**

Prima dell'uso, controllare se il motore presenta segni di perdite di olio o benzina.

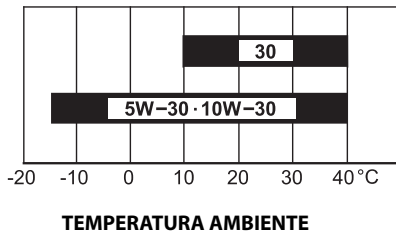
1. Controllare il livello dell'olio motore.

### ATTENZIONE:

**L'utilizzo di un olio non detergente o di un olio per motore a 2 tempi potrebbe ridurre la vita operativa del motore.**

### olio raccomandato

Utilizzare olio per motori a 4 tempi che risponda almeno ai requisiti per la classificazione di servizio API SE o successiva (o equivalente). Controllare sempre l'etichetta di servizio API sul contenitore dell'olio per accertarsi che siano riportate le lettere SE o una classificazione successiva (o equivalente). Prima dell'uso, leggere le istruzioni riportate sul contenitore dell'olio.



Per impieghi generici, si raccomanda l'uso di un lubrificante SAE 10W-30. Quando la temperatura media dell'area geografica in cui viene utilizzato il motore è compresa nella fascia indicata, è possibile utilizzare oli con grado di viscosità differente, come mostrato nella tabella.

Specifiche (specifiche) dell'olio lubrificante necessaria(e) per mantenere le prestazioni dell'impianto di controllo emissioni: olio originale, prodotto da Honda.

Controllare il livello dell'olio motore a motore spento e su una superficie priva di inclinazioni.

1. Aprire il coperchio per la manutenzione dell'olio.
2. Rimuovere il tappo di riempimento olio.
3. Controllare il livello dell'olio. Se si trova al di sotto del limite superiore, rabboccare con olio di tipo raccomandato (vedere pagina 15) fino al limite superiore.
4. Reinstallare saldamente il tappo di riempimento olio.

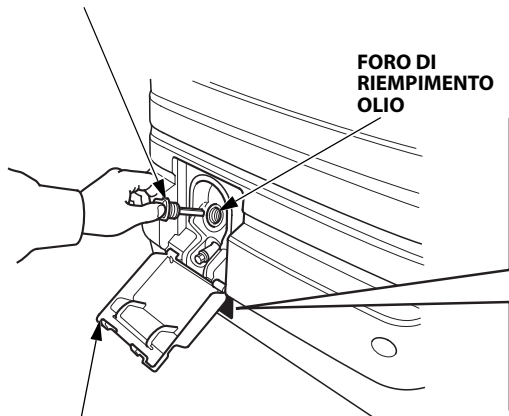
**ATTENZIONE:**

**Il funzionamento del motore con una quantità insufficiente di olio può danneggiare seriamente il motore.**

**NOTA:**

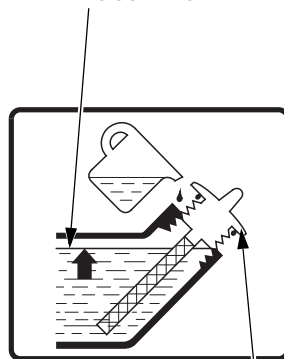
Il sistema di allarme olio arresta automaticamente il motore prima che il livello dell'olio scenda al di sotto del limite di sicurezza. In ogni caso, per evitare gli inconvenienti conseguenti a un arresto improvviso, si consiglia di controllare regolarmente il livello dell'olio.

**TAPPO DI RIEMPIMENTO OLIO**



**COPERTURA PER  
MANUTENZIONE OLIO**

**LIVELLO SUPERIORE**



**TAPPO DI RIEMPIMENTO OLIO**

2. Controllare il livello di carburante.

Controllare l'indicatore di livello carburante. Riempire il serbatoio se il livello del carburante è basso.

Dopo il rifornimento, serrare saldamente il tappo di riempimento carburante.

## Carburante consigliato

Benzina senza piombo	
	Numero di ottano di almeno 91
	Numero di ottano alla pompa di almeno 86

Questo motore è certificato per funzionare con benzina senza piombo con un numero di ottano alla pompa di almeno 86 (un numero di ottano alla pompa pari o superiore a 91).

Specifiche (specifiche) del carburante necessaria(e) per mantenere le prestazioni dell'impianto di controllo emissioni: carburante E10 indicato nella normativa UE. Non usare mai benzina vecchia, contaminata o una miscela olio/benzina. Evitare di gettare sporcizia o acqua nel serbatoio del carburante.

### ⚠ AVVERTENZA

- **La benzina è estremamente infiammabile e, in determinate condizioni, esplosiva.**
- **Effettuare il rifornimento in un luogo ben ventilato e a motore spento. Non fumare e tenere fiamme e scintille lontane dal luogo in cui si effettua il rifornimento o si conserva la benzina.**
- **Non riempire eccessivamente il serbatoio (non riempire oltre il segno di livello superiore). Dopo il rifornimento, accertarsi che il tappo di riempimento carburante sia ben chiuso.**
- **Prestare attenzione ad evitare le fuoriuscite di carburante durante il rifornimento. Il carburante fuoriuscito o i vapori del carburante potrebbero incendiarsi. Se fuoriesce del carburante, verificare che l'area sia asciutta prima di avviare il motore.**
- **Evitare il contatto ripetuto o prolungato con la pelle ed evitare altresì di inalare i vapori.**

**TENERE FUORI DALLA PORTATA DEI BAMBINI.**





---

**NOTA:**

La benzina si deteriora molto rapidamente a causa di fattori quali l'esposizione alla luce, la temperatura e il tempo.

Nel peggiore dei casi la benzina può contaminarsi in 30 giorni.

L'uso di benzina contaminata può danneggiare seriamente il motore (ostruzione del carburatore, blocco delle valvole).

Tali danni provocati da carburante deteriorato non sono coperti dalla garanzia.

Per evitare ciò, seguire scrupolosamente le seguenti raccomandazioni:

- Usare soltanto la benzina specificata (vedere pagina 16).
- Utilizzare benzina nuova e pulita.
- Per rallentare il deterioramento, conservare la benzina in un recipiente certificato per carburanti.
- Se si prevede un lungo periodo di inutilizzo (più di 30 giorni), svuotare il serbatoio del carburante e il carburatore.

### **Benzine contenenti alcol**

Se si decide di utilizzare benzina contenente alcol (miscela benzina-alcol), accertarsi che il numero di ottani presenti sia almeno pari a quello raccomandato da Honda.

Esistono due tipi di miscele di "benzina e alcol": uno contenente etanolo e l'altro contenente metanolo.

Non utilizzare miscele contenenti più del 10% di etanolo.

Non utilizzare benzina contenente più del 5% di metanolo (metile o alcol metilico) priva di cosolventi e anticorrosivi specifici per il metanolo.

**NOTA:**

- Eventuali danni all'impianto di alimentazione o problemi alle prestazioni del motore derivanti dall'uso di benzina contenente una quantità di alcol superiore a quanto raccomandato non sono coperti dalla garanzia.
- Prima di acquistare benzina presso una stazione di rifornimento non conosciuta, chiedere se la benzina contiene alcol e, in questo caso, il tipo e la percentuale esatta di alcol contenuto.  
Se si sta utilizzando un tipo particolare di alcol e si notano anomalie di funzionamento, passare a una benzina che contenga sicuramente una percentuale di alcol inferiore a quella raccomandata.

### 3. Controllare il filtro aria.

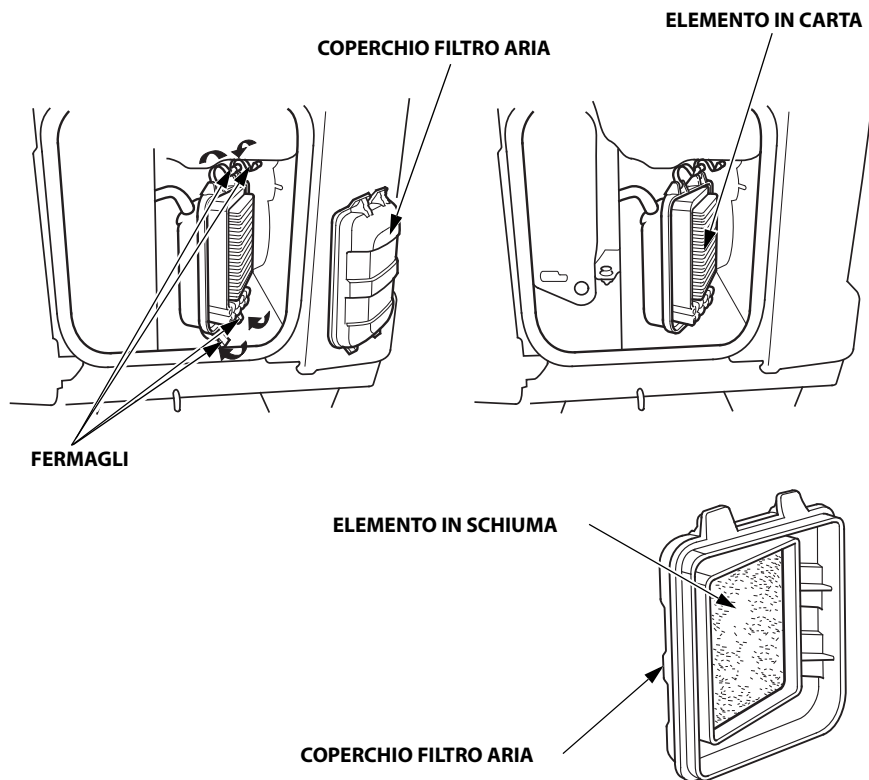
Controllare che gli elementi del filtro aria siano puliti e in buono stato.

Aprire la copertura di manutenzione sinistra. Sganciare i quattro fermagli, rimuovere il coperchio del filtro aria, l'elemento in spugna dal coperchio del filtro aria e controllare entrambi gli elementi.

Pulire o sostituire l'elemento secondo necessità (vedere pagina 45).

#### **ATTENZIONE:**

**Non azionare mai il motore in assenza del filtro aria. Materiali contaminanti, come polvere o sporcizia, penetrerebbero nel motore attraverso il carburatore, causandone una rapida usura.**



## 5. AVVIAMENTO DEL MOTORE

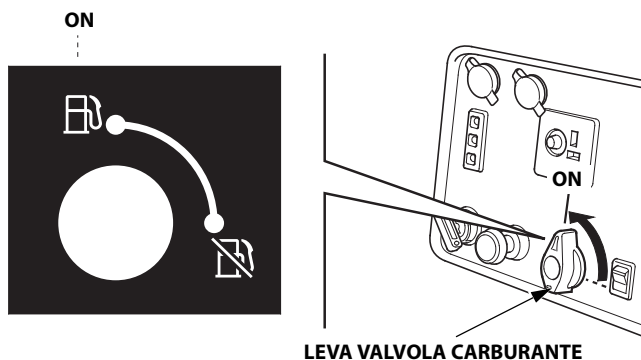
### Avviamento elettrico

#### ATTENZIONE:

Quando si avvia il generatore dopo aver aggiunto del carburante, per la prima volta, dopo un lungo periodo di rimessaggio, o dopo aver esaurito il carburante, portare la leva della valvola del carburante in posizione ON, quindi attendere 10-20 secondi prima di avviare il motore.

Prima di avviare il motore scollegare la presa CA da qualunque sorgente di alimentazione elettrica.

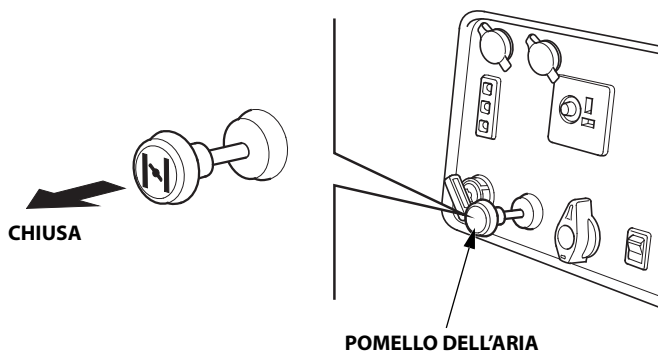
1. Portare la leva della valvola del carburante in posizione ON.



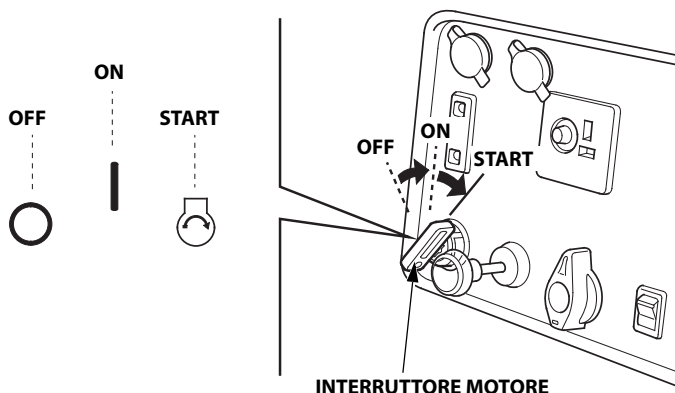
2. Spostare la manopola dell'aria nella posizione CHIUSA.

#### NOTA:

Non utilizzare la leva dell'aria se il motore è caldo o quando la temperatura dell'aria è elevata.



3. Portare l'interruttore del motore in posizione START e mantenerlo così fino a quando il motore non si avvia.



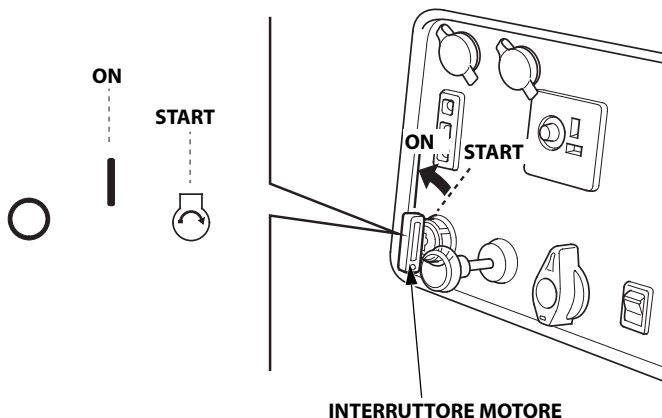
**ATTENZIONE:**

**Non utilizzare il motorino di avviamento per più di 5 secondi. Se il motore non parte, rilasciare la chiave e attendere almeno 10 secondi prima di azionare nuovamente il motorino di avviamento.**

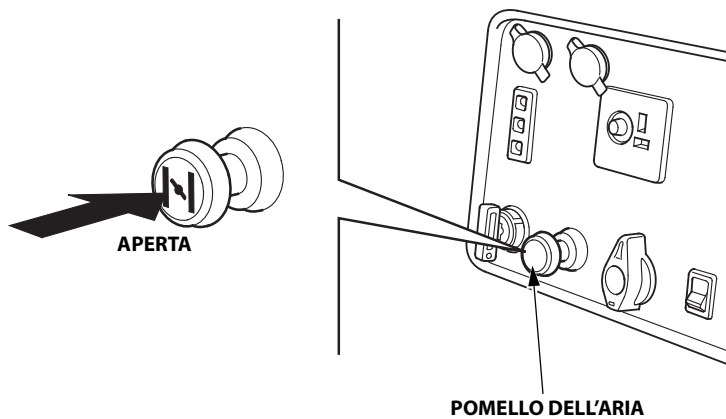
**NOTA:**

Se la velocità del motorino di avviamento diminuisce dopo un certo periodo di tempo, la batteria deve essere ricaricata.

4. Dopo l'avviamento del motore lasciare che l'interruttore torni in posizione ON.



5. Spostare il pomello dell'aria verso la posizione APERTA mentre il motore si riscalda.



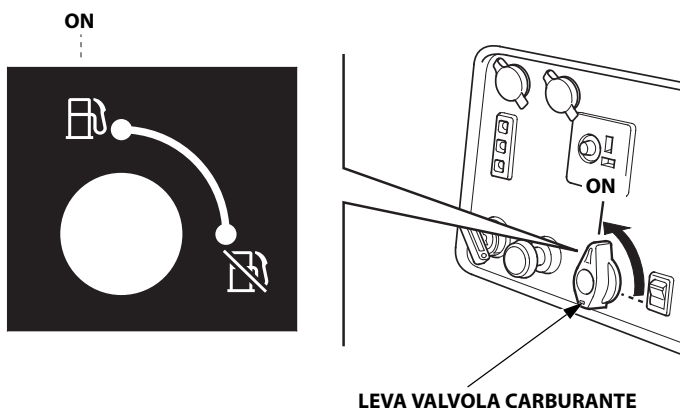
## Avviamento manuale

### ATTENZIONE:

Quando si avvia il generatore dopo aver aggiunto del carburante, per la prima volta, dopo un lungo periodo di rimessaggio, o dopo aver esaurito il carburante, portare la leva della valvola del carburante in posizione ON, quindi attendere 10-20 secondi prima di avviare il motore.

Prima di avviare il motore scollegare la presa CA da qualunque sorgente di alimentazione elettrica.

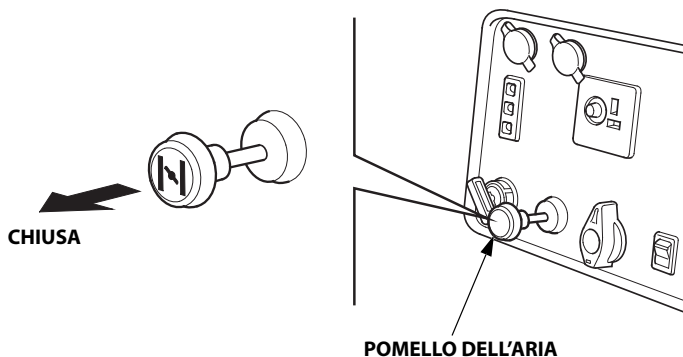
1. Portare la leva della valvola del carburante in posizione ON.



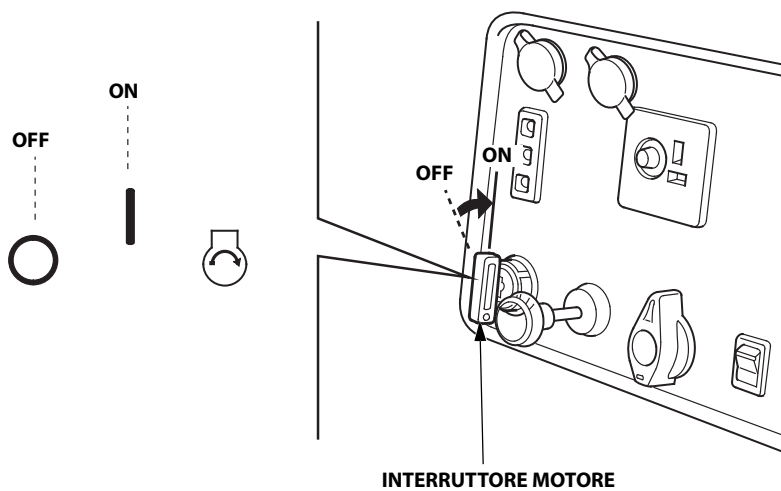
2. Spostare la manopola dell'aria nella posizione CHIUSA.

### NOTA:

Non utilizzare la leva dell'aria se il motore è caldo o quando la temperatura dell'aria è elevata.



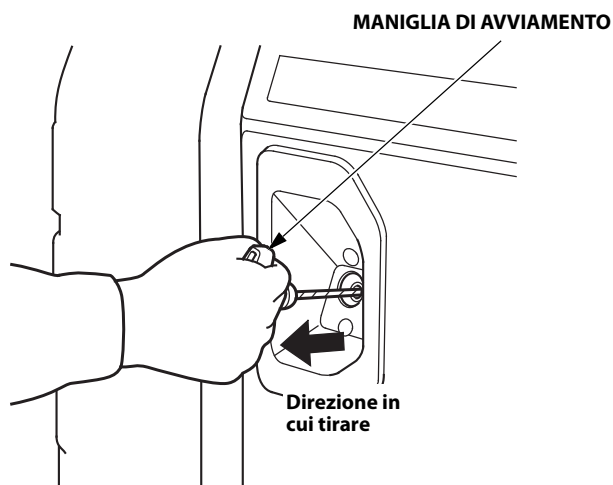
3. Portare l'interruttore del motore in posizione ON (accensione).



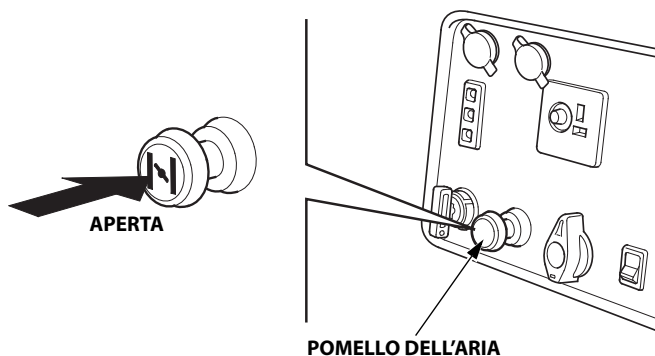
4. Tirare leggermente la maniglia di avviamento fino ad avvertire una certa resistenza, quindi tirarla di scatto nella direzione indicata dalla freccia, in figura sotto.

**ATTENZIONE:**

- **La maniglia di avviamento potrebbe riavvolgersi molto rapidamente prima di essere rilasciata. Il contraccolpo potrebbe causare il trascinarsi della mano verso il motore, causando lesioni.**
- **Evitare i contraccolpi dell'impugnatura del cavo di avviamento. Accompagnare l'impugnatura lentamente.**
- **Evitare che la fune di avviamento faccia attrito contro il corpo del generatore, poiché in tal modo si userebbe prima del tempo.**



5. Spostare il pomello dell'aria verso la posizione APERTA mentre il motore si riscalda.





---

## • Funzionamento ad altitudini elevate

Ad altitudini elevate, la miscela standard aria-carburante nel carburatore risulta eccessivamente ricca. Le prestazioni diminuiscono ed il consumo di carburante aumenta.

Effettuando opportune regolazioni del carburatore è possibile migliorare le prestazioni in caso di utilizzo ad altitudini elevate. Se il generatore viene sempre utilizzato ad altitudini superiori ai 610 m sul livello del mare, rivolgersi al proprio concessionario per apportare queste modifiche al carburatore.

Anche con un getto del carburatore adeguato, i cavalli motore diminuiscono circa del 3,5% per ogni 300 m di aumento dell'altitudine. L'effetto dell'altitudine sulla potenza sarà maggiore in assenza di modifiche al carburatore.

### **ATTENZIONE:**

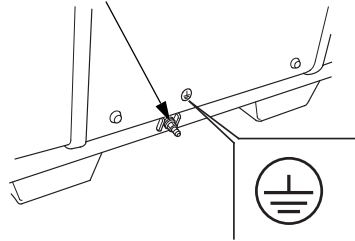
**Il funzionamento del generatore a un'altitudine inferiore rispetto a quella per la quale il carburatore è stato predisposto, può ridurre le prestazioni, causarne il surriscaldamento o provocare seri danni al motore dovuti a una miscela di aria/carburante troppo povera.**

## 6. USO DEL GENERATORE

Il generatore produce una quantità di energia elettrica sufficiente a provocare scosse elettriche di notevole intensità o elettrocuzione in caso di uso improprio. Accertarsi di collegare a terra il generatore quando l'apparecchio alimentato è collegato a terra.

Per collegare a terra il terminale del generatore, utilizzare un filo di rame con un diametro uguale o superiore a quello del cavo di alimentazione dell'apparecchio collegato.

TERMINALE DI MASSA

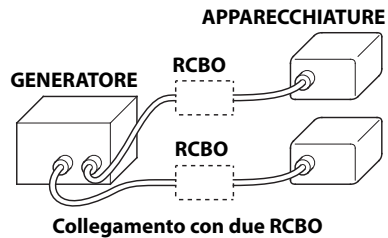
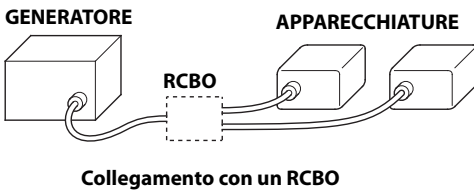


SIMBOLO DI MESSA A TERRA

Se l'apparecchio collegato è dotato di conduttore per la messa a terra, anche un'eventuale prolunga dovrà essere dotata di conduttore per la messa a terra.

Per identificare il terminale di terra nella spina, consultare la sezione PRESA a pagina 63.

Se si utilizzano due o più apparecchi, collegare un interruttore RCBO (interruttore differenziale con protezione da sovracorrente) da 30 mA con rilevamento guasti verso terra e interruzione inferiore a 0,4 secondi a più di 30 A di corrente di uscita. Prima dell'uso, leggere le istruzioni fornite con l'interruttore RCBO.



### ⚠ AVVERTENZA

**Collegamenti impropri all'impianto elettrico di un edificio possono causare un ritorno di corrente dal generatore verso le linee della rete elettrica.**

**Tale corrente di ritorno potrebbe causare la folgorazione del personale dell'azienda elettrica o di coloro che entrano in contatto con le linee durante un'interruzione dell'alimentazione; inoltre, al momento del ripristino dell'alimentazione di rete, il generatore potrebbe esplodere, infiammarsi o provocare incendi.**

**Consultare l'azienda elettrica o un elettricista qualificato prima di eseguire qualsiasi collegamento elettrico.**

## ATTENZIONE:

- Non superare il limite di corrente specificato per ciascuna presa.
- Non modificare o utilizzare il generatore per impieghi differenti da quelli previsti. Durante l'utilizzo del generatore, attenersi a quanto segue.
- Non collegare una prolunga al condotto di scarico.
- Se è necessario un cavo di prolunga, utilizzare esclusivamente un cavo flessibile rivestito in gomma resistente (conforme allo standard IEC 245 o equivalente).

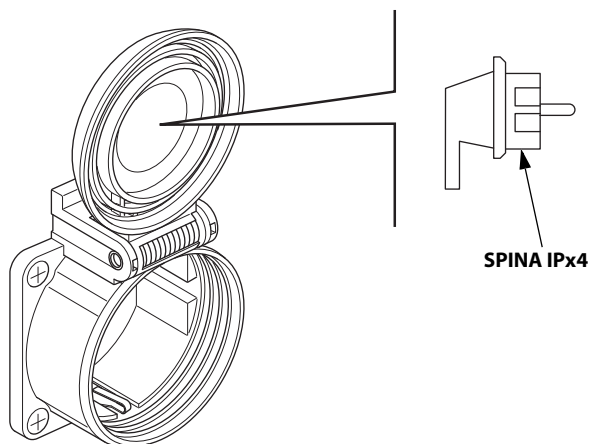
Quando si utilizza una prolunga il valore della resistenza non deve superare  $1,5 \Omega$ .

- Limite di lunghezza per i cavi di prolunga: 60 m per i cavi da  $1,5 \text{ m}^2$  e 100 m per i cavi da  $2,5 \text{ mm}^2$ . Tanto maggiore è la lunghezza dei cavi, quanto minore sarà la potenza utilizzabile a causa della resistenza del cavo.
- Tenere il generatore lontano da altri cavi o fili elettrici, come quelli di normale alimentazione elettrica.

## ⚠ AVVERTENZA

### Tipo GW1

Quando si connette una spina ad angolo, assicurarsi di utilizzare solo spine di tipo IPx4.



---

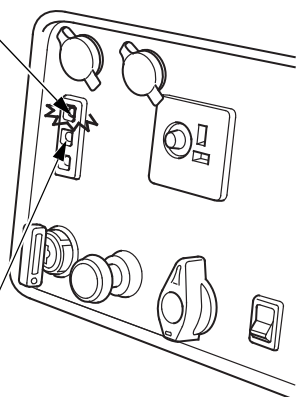
NOTA:

- Per potersi avviare, molti apparecchi elettrici richiedono una potenza in watt superiore alla loro potenza in watt nominale. Verificare che la potenza nominale dell'utensile o dell'apparecchio non superi quella del generatore.  
Potenza massima: 3,0 k VA
- Per il funzionamento continuo non superare la potenza nominale indicata.  
La potenza nominale è: 2,8 k VA
- In entrambi i casi, si deve considerare la potenza totale (VA) richiesta da tutti gli apparecchi collegati.
- La presa CC può essere usata anche quando è in uso l'alimentazione CA. Se le due prese vengono utilizzate contemporaneamente, non superare la potenza massima della corrente CA.  
Potenza massima CA: 2,65 k VA

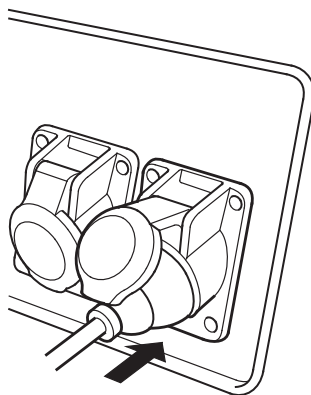
## Applicazioni CA

1. Avviare il motore e accertarsi che la spia di erogazione corrente (verde) sia accesa.
2. Verificare che l'apparecchio da utilizzare sia spento, quindi collegarlo alla presa.

SPIA DI EROGAZIONE CORRENTE  
(VERDE)



SPIA SOVRACCARICO  
(ROSSO)



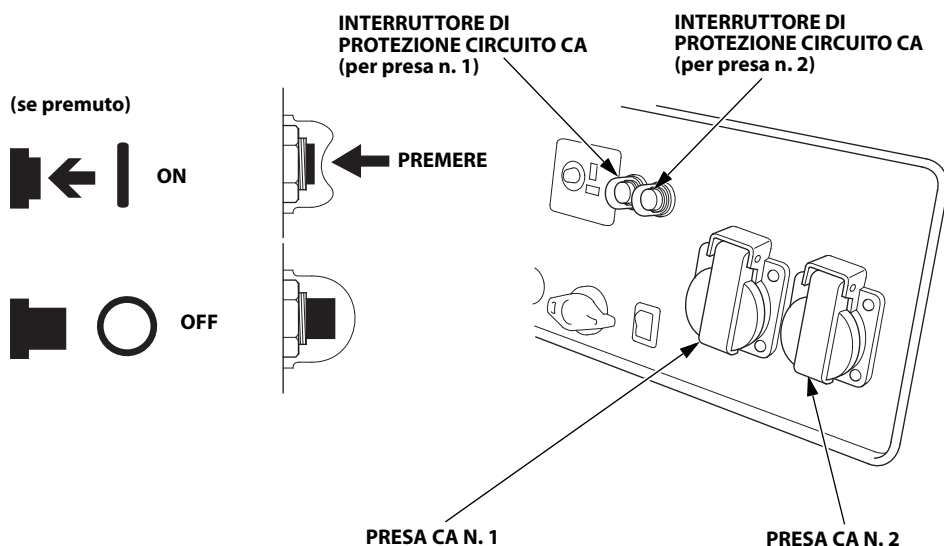
### ATTENZIONE:

- **Un sovraccarico considerevole, indicato dall'accensione continua della relativa spia (rossa), può danneggiare il generatore. Un sovraccarico limitato, indicato da un'accensione temporanea della relativa spia (rossa), può ridurre la vita operativa del generatore.**
- **Verificare che tutte le apparecchiature elettriche siano in buone condizioni di funzionamento prima di collegarle al generatore. Gli attrezzi elettrici (compresi fili e collegamenti delle prese) non devono presentare difetti. Se un apparecchio comincia a funzionare in maniera anomala, rallenta o si ferma improvvisamente, spegnere immediatamente l'interruttore del generatore. Quindi scollegare l'apparecchio e verificare l'eventuale presenza di un guasto.**

## Interruttore di protezione del circuito CA (tipi B, F, G e GW1)

L'interruttore di protezione del circuito CA si disattiverà automaticamente (il pulsante fuoriesce) in presenza di un cortocircuito o di un sovraccarico importante del generatore sulla presa.

In caso di spegnimento automatico dell'interruttore di protezione del circuito CA, verificare che l'apparecchio stia funzionando normalmente e che non superi la capacità di carico nominale del circuito prima di riattivare la protezione del circuito CA (premendo all'interno il pulsante).



## Spia di erogazione corrente e di sovraccarico

La spia di erogazione corrente (verde) rimane accesa nelle normali condizioni di funzionamento.

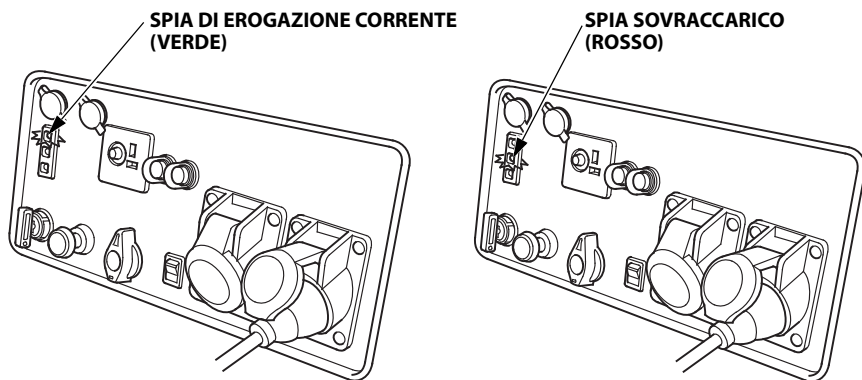
Se il generatore è sovraccarico (vedere pag. 29), o in presenza di un corto nell'apparecchio collegato, la spia di erogazione corrente (verde) si spegne, la spia di sovraccarico (rossa) si accende e la corrente all'apparecchio collegato si interrompe.

Arrestare il motore e verificare l'origine del sovraccarico nel caso in cui la spia di sovraccarico (rossa) si accenda.

### NOTA:

La spia del sovraccarico (rossa) si accende anche nei casi seguenti:

- Quando l'inverter si surriscalda, la corrente all'apparecchio collegato si interrompe. Controllare che la presa d'aria non sia ostruita.
- Prima di collegare un apparecchio al generatore, controllare che sia in buone condizioni e che la sua potenza nominale non sia superiore a quella del generatore. Collegare quindi il cavo di alimentazione dell'apparecchio e avviare il motore.



### NOTA:

Quando si avvia un motore elettrico, la spia di sovraccarico (rossa) e la spia di erogazione corrente (verde) possono accendersi simultaneamente. Si tratta di una situazione normale, a condizione che dopo circa cinque (5) secondi la spia del sovraccarico (rossa) si spenga. Nel caso in cui la spia di sovraccarico (rossa) rimanga accesa, rivolgersi ad un concessionario autorizzato di generatori Honda.

---

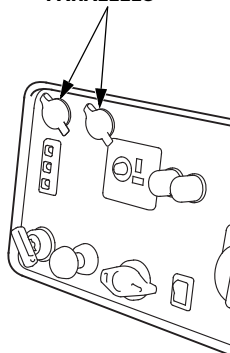
## Funzionamento in parallelo

Si prega di leggere la sezione "USO DEL GENERATORE" prima di collegare qualsiasi apparecchio.

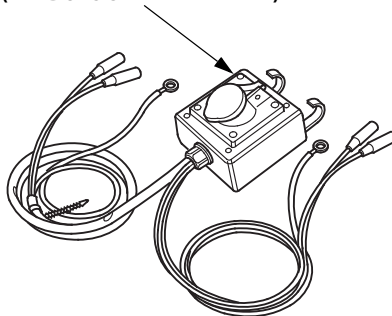
Utilizzare esclusivamente l'apposito cavo/presa per il funzionamento parallelo (venduto separatamente).

### Tipi G, GW1, B, F

PRESE PER FUNZIONAMENTO PARALLELO



CAVO/PRESA SPECIFICO PER FUNZIONAMENTO PARALLELO (VENDUTO SEPARATAMENTE)





- 
- Per potersi avviare, molti apparecchi elettrici richiedono una potenza in watt superiore alla loro potenza in watt nominale. Verificare che la potenza nominale dell'utensile o dell'apparecchio non superi quella del generatore. La potenza massima in modalità di funzionamento parallelo è: 6,0 kVA
  - Per un funzionamento continuo non superare la potenza nominale. La potenza nominale nel funzionamento parallelo è: 5,6 kVA
  - In entrambi i casi, si deve considerare la potenza totale (VA) richiesta da tutti gli apparecchi collegati.

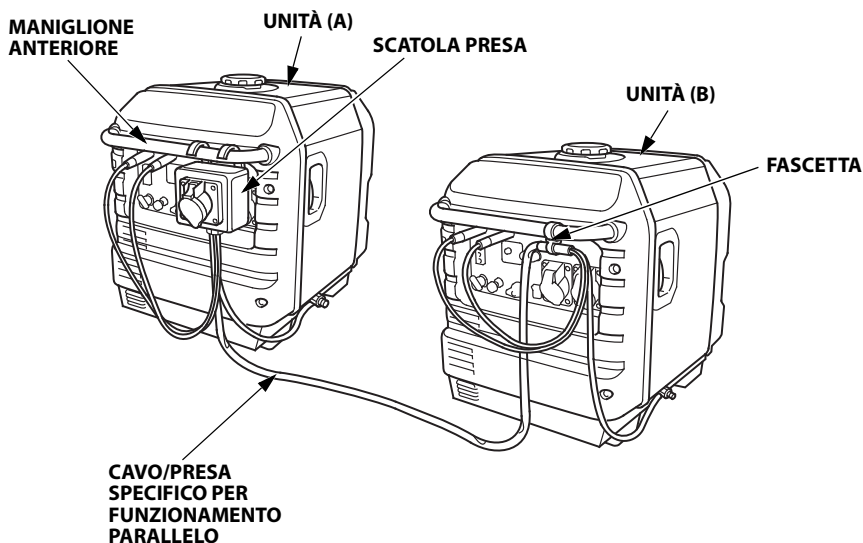
**ATTENZIONE:**

**Un sovraccarico considerevole, indicato dall'accensione continua della relativa spia (rossa), può danneggiare il generatore. Un sovraccarico limitato, indicato da un'accensione temporanea della relativa spia (rossa), può ridurre la vita operativa del generatore.**

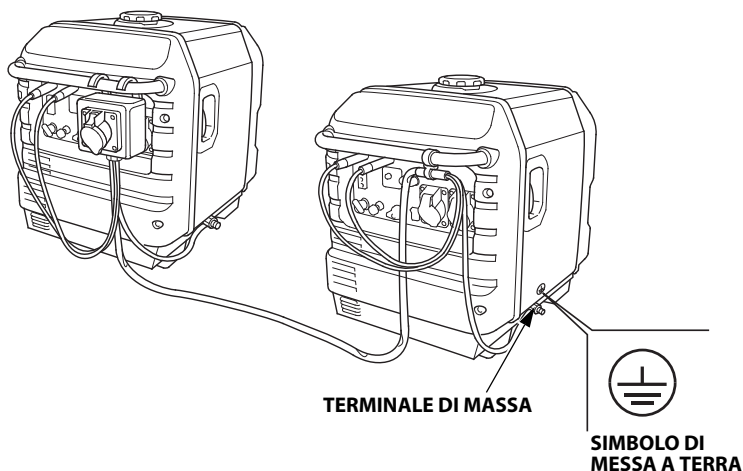
**⚠ AVVERTENZA**

- **Non collegare mai modelli o tipi di generatore differenti.**
- **Non collegare mai cavi/prese diversi da quelli per il funzionamento parallelo.**
- **Collegare e rimuovere l'apposito cavo/presa per il funzionamento parallelo a motore spento.**
- **Per il funzionamento singolo, è necessario rimuovere il cavo/presa per il funzionamento parallelo.**

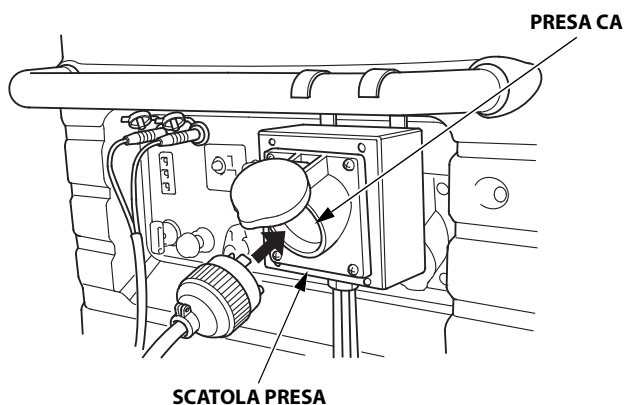
1. Agganciare la scatola presa dell'apposito cavo/presa sulla maniglia anteriore dell'unità (A) o (B), quindi collegare il cavo più lungo dell'apposito cavo/presa alla maniglia anteriore dell'altra unità con la fascetta.
2. Collegare l'apposito cavo/presa per il funzionamento parallelo ai due generatori.
  - **Durante il funzionamento parallelo, tenere i due generatori ad almeno 1 metro di distanza.**
  - **Prestare attenzione a non allentare il cavo in corrispondenza dell'impugnatura di avviamento.**
  - **Collegare il cavo più lungo al generatore sul quale non è installato l'apposito cavo/presa per il funzionamento parallelo.**
  - **Non posizionare i generatori con i rispettivi lati di scarico uno di fronte all'altro.**



3. Accertarsi di collegare a terra il generatore quando il dispositivo alimentato è collegato a terra.



4. Avviare ciascun motore secondo la procedura riportata nella sezione "AVVIAMENTO DEL MOTORE".
- Se la spia di erogazione corrente (verde) non si accende e si accende invece la spia di sovraccarico (rossa), portare l'interruttore del motore in posizione OFF, arrestare il motore e quindi riavviarlo.
5. Verificare che l'apparecchio da utilizzare sia spento, quindi inserire la spina dell'apparecchio nella presa CA della scatola presa.



**ATTENZIONE:**

**Accertarsi che l'apparecchiatura che si desidera utilizzare in collegamento con il generatore sia spenta.**

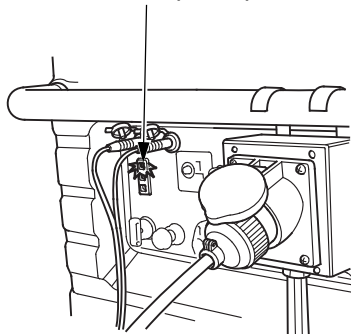
**Se l'apparecchiatura da utilizzare dovesse infatti essere accesa, inizierà a funzionare improvvisamente, con il conseguente pericolo di provocare lesioni o danni.**

6. Accendere l'apparecchiatura che si desidera utilizzare in collegamento con il generatore.

La spia di erogazione corrente (verde), si illuminerà.

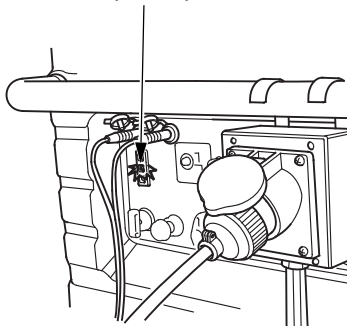
**In caso di funzionamento normale**

**SPIA DI EROGAZIONE  
CORRENTE (VERDE)**



**In caso di funzionamento in sovraccarico o cortocircuito**

**SPIA SOVRACCARICO  
(ROSSO)**



- In caso di funzionamento in sovraccarico (fare riferimento a pagina 32) o di problemi all'apparecchio da utilizzare, la spia di erogazione corrente (verde) si spegne, la spia di sovraccarico (rossa) si accende e l'alimentazione si interrompe. A questo punto il motore non si arresta automaticamente ma deve essere arrestato manualmente, portando il relativo interruttore in posizione OFF.

**NOTA:**

- La spia del sovraccarico (rossa) si accende anche nei casi seguenti:  
Quando l'inverter si surriscalda; la corrente all'apparecchio collegato si interrompe. Controllare che la presa d'aria non sia ostruita.
  - Nel caso in cui si utilizzi un apparecchio che richiede una grande potenza per l'avviamento, come ad esempio un motore ecc., la spia di sovraccarico (rossa) e la spia di uscita (verde) possono accendersi contemporaneamente per un breve periodo di tempo (circa 4 secondi), ma ciò rientra nella normalità. Dopo l'accensione dell'apparecchio, la spia di sovraccarico (rossa) si spegne e la spia di erogazione corrente (verde) rimane accesa.
  - Se un generatore deve essere arrestato dopo l'accensione dell'apparecchio, è necessario rimuovere contemporaneamente anche l'apposito cavo/presa per il funzionamento parallelo.
7. Quando si ripresenta la necessità di ottenere corrente elettrica dal generatore, spegnere l'apparecchio da utilizzare e rimuovere la spina dalla presa CA. Verificare che l'apparecchio e il collegamento stiano funzionando correttamente e che la potenza richiesta non sia eccessiva, quindi avviare il motore.

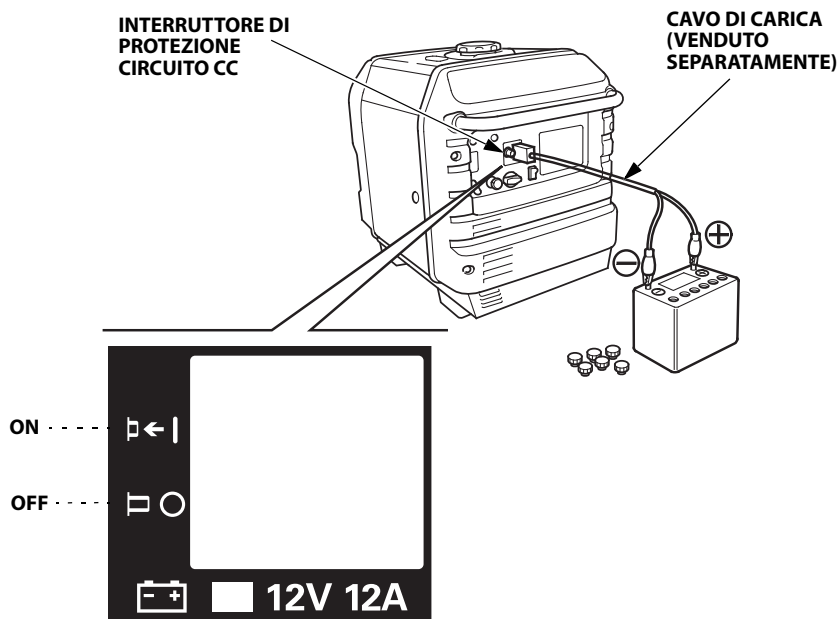
## Applicazione CC

La presa CC può essere usata esclusivamente per caricare batterie a 12 volt per impiego su veicoli.

NOTA:

Durante il funzionamento in modalità CC, portare l'interruttore di accelerazione Eco in posizione OFF.

1. Collegare il cavo di carica alla presa CC del generatore, quindi ai terminali della batteria.



---

## **⚠ AVVERTENZA**

- Per evitare che si creino eventuali scintille vicino alla batteria, collegare il cavo di carica prima al generatore, quindi alla batteria. Scollegare il cavo iniziando dalla batteria.
- Prima di collegare i cavi di carica ad una batteria installata su un veicolo, scollegare il cavo della batteria del veicolo. Ricollegare il cavo della batteria del veicolo solo dopo aver rimosso i cavi di carica. Tale procedura consente di evitare scintille o cortocircuiti in caso di contatto accidentale tra il terminale della batteria e il telaio o la carrozzeria del veicolo.

## **ATTENZIONE:**

- Non tentare di avviare il motore di un'automobile con il generatore ancora collegato alla batteria. Il generatore potrebbe danneggiarsi.
- Collegare il terminale positivo della batteria al cavo positivo di carica. Non invertire i cavi di carica. Il generatore e/o la batteria potrebbero danneggiarsi gravemente.

## **⚠ AVVERTENZA**

- Le batterie generano gas esplosivi: se incendiata, l'esplosione può causare gravi lesioni o cecità. Provvedere ad un'adeguata ventilazione durante la ricarica della batteria.
- **PERICOLI CHIMICI:** L'elettrolito della batteria contiene acido solforico. Il contatto con la pelle o gli occhi, anche se attraverso degli indumenti di protezione, può causare gravi ustioni. Indossare visiera e abbigliamento protettivi.
- Tenere lontane fiamme e scintille e non fumare in prossimità dell'area.  
**MISURE DI EMERGENZA:** Se l'elettrolito viene a contatto con gli occhi, lavarli abbondantemente con acqua tiepida per almeno 15 minuti e contattare immediatamente un medico.
- **VELENO:** L'elettrolito è velenoso.  
**MISURE DI EMERGENZA**
  - Esterno: Lavare abbondantemente con acqua.
  - Interno: Se ingerito, bere grandi quantità di acqua o latte, seguite da abbondanti dosi di latte di magnesia oppure olio vegetale e contattare immediatamente un medico.
- **TENERE FUORI DALLA PORTATA DEI BAMBINI.**

---

## 2. Avviare il motore.

### NOTA:

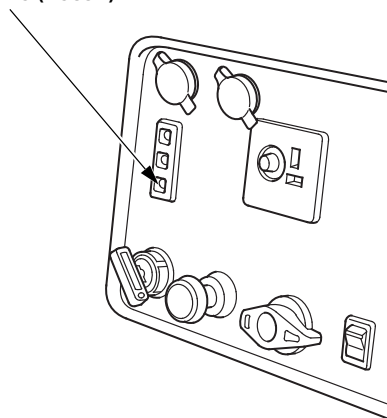
- La presa CC può essere usata mentre si utilizza l'alimentazione CA.
- Un sovraccarico nel circuito CC farà scattare l'interruttore di protezione del circuito CC (il pulsante scatta verso l'esterno).  
In tal caso, attendere qualche minuto prima di premere nuovamente l'interruttore di protezione del circuito per ripristinare il funzionamento.

## Sistema di allarme olio

Il sistema Oil Alert è progettato per evitare che il motore subisca dei danni dovuti ad una quantità insufficiente di olio nel carter. Prima che il livello dell'olio presente nel carter scenda al di sotto del limite consentito, il sistema di allarme olio arresta automaticamente il motore (l'interruttore del motore rimane in posizione ON).

Se il motore viene arrestato dal sistema di allarme olio, la spia di allarme olio (rossa) si accende nel momento in cui si aziona l'avviatore e il motore non parte. Se si verifica ciò, aggiungere olio motore (vedere pagina 16).

**SPIA ALLARME OLIO (ROSSA)**

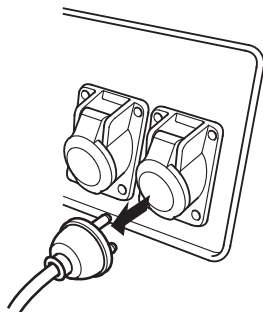


## 7. ARRESTO DEL MOTORE

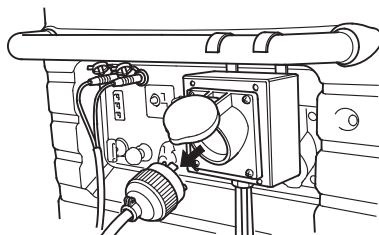
Per arrestare il motore in caso di emergenza, portare l'interruttore del motore su OFF (spegnimento).

### **DURANTE IL NORMALE UTILIZZO:**

1. Spegner l'apparecchio collegato e disinserire la spina.

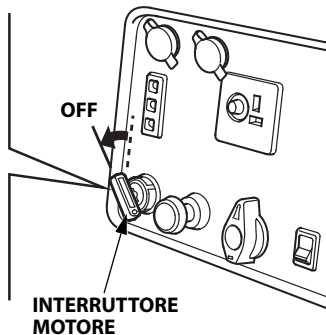


**In funzionamento parallelo**



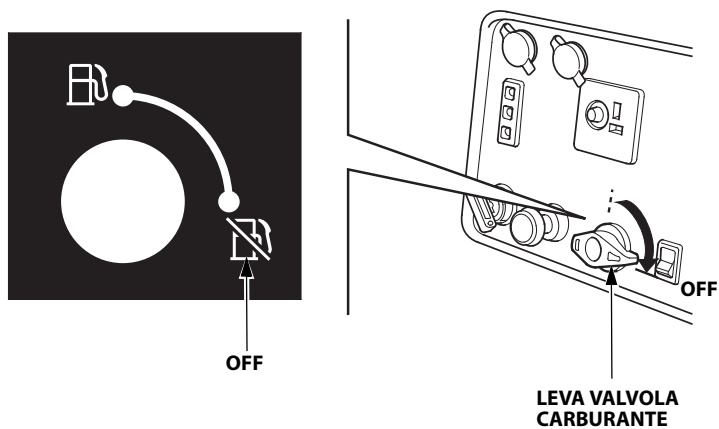
2. Portare l'interruttore del motore in posizione OFF (spegnimento).

OFF

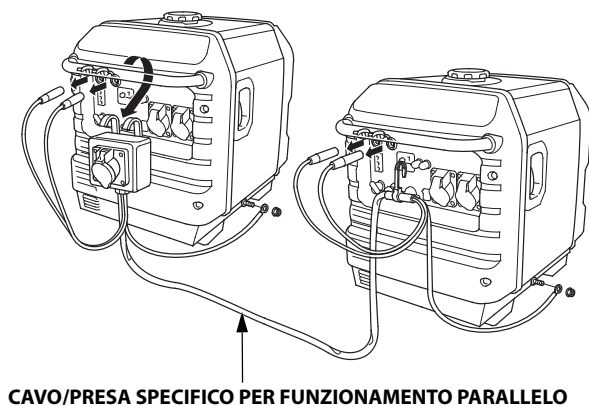




3. Portare la leva della valvola del carburante in posizione OFF (chiusa).



4. Dopo il funzionamento parallelo, rimuovere l'apposito cavo/presa per il funzionamento parallelo.



Manutenzioni e regolazioni periodiche sono determinanti per garantire il funzionamento ottimale del generatore. Procedere ai controlli e alla manutenzione programmata rispettando la tabella riportata di seguito.

## ⚠ AVVERTENZA

**Controllare che il motore sia spento prima di iniziare qualsiasi tipo di intervento di manutenzione o di riparazione. Ciò contribuirà ad eliminare numerosi potenziali rischi:**

- **Avvelenamento da monossido di carbonio generato dai gas di scarico del motore. Garantire un'adeguata ventilazione nel caso in cui il motore debba rimanere acceso.**
- **Ustioni da contatto con parti calde. Lasciar raffreddare il motore e il sistema di scarico prima di intervenire su di essi.**
- **Lesioni causate da parti in movimento. Azionare il motore solo se espressamente indicato.**

**Il silenziatore diventa estremamente caldo durante il funzionamento e può rimanere caldo anche in seguito allo spegnimento del motore. Non toccare il silenziatore mentre è caldo. Lasciar raffreddare il motore prima di procedere alla manutenzione.**

## ATTENZIONE:

**Utilizzare ricambi originali Honda o componenti di qualità equivalente. L'uso di ricambi di qualità non equivalente potrebbe danneggiare il generatore.**

## Programma di manutenzione

INTERVALLO DI MANUTENZIONE PERIODICA (3)		Ad ogni uso	Primo mese o dopo 20 ore	Ogni 3 mesi o dopo 50 ore	Ogni 6 mesi o dopo 100 ore	Ogni anno o dopo 300 ore	Pagina
Voce Effettuare ad ogni intervallo di mesi o ore di funzionamento indicati, a seconda di quello che si verifica prima.							
Olio motore	Controllare il livello	o					15
	Sostituire		o		o		44
Filtro aria	Controllare	o					45
	Pulire			o (1)			
	Sostituire					o*	
Coppa sedimenti	Pulire				o		47
Candela	Controllare-regolare				o		49
	Sostituire					o	
Gioco valvole	Controllare-regolare					o (2)	-
Camera di combustione	Pulire		Ogni 500 ore (2)				-
Serbatoio e filtro carburante	Pulire					o (2)	-
Tubo del carburante	Controllare		Ogni 2 anni (sostituire se necessario) (2)				-

**NOTA:** \* Sostituire solo il tipo con elemento in carta.

- (1) Procedere alla manutenzione con maggiore frequenza in caso di utilizzo in zone polverose.
- (2) La manutenzione di tali parti deve essere effettuata dal proprio concessionario, a meno che non si disponga degli utensili adeguati e delle conoscenze meccaniche qualificate. Fare riferimento al Manuale d'Officina Honda per le procedure di manutenzione.
- (3) In caso di uso professionale, annotare le ore di utilizzo per determinare la corretta frequenza degli intervalli di manutenzione.

## 1. CAMBIO DELL'OLIO

Per un drenaggio rapido e completo, scaricare l'olio con il motore ancora caldo.

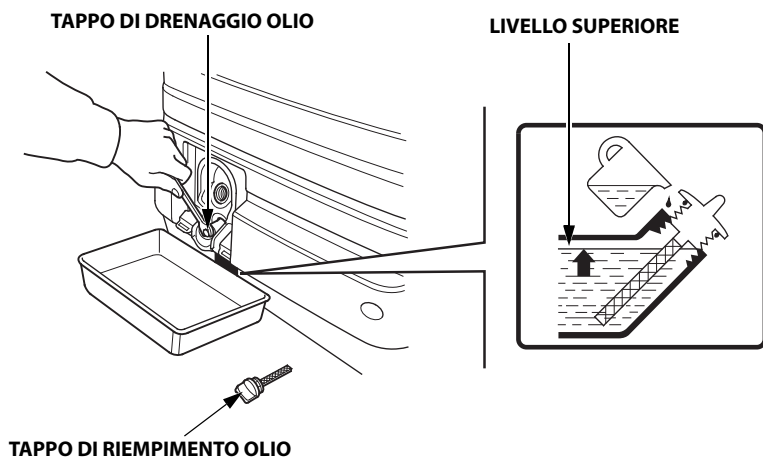
1. Aprire e rimuovere il coperchio per la manutenzione dell'olio.
2. Rimuovere il tappo di riempimento olio e il tappo di drenaggio per drenare l'olio.
3. Installare e stringere saldamente la vite di drenaggio olio.

**COPPIA DI SERRAGGIO:** 18,0 N·m (1,8 kgf·m)

4. Rabboccare fino al livello superiore con olio di tipo raccomandato (vedere pagina 15).

**Capacità olio motore:** 0,55 litri

5. Reinstallare, chiudere e agganciare il coperchio di manutenzione olio.



Dopo aver maneggiato l'olio esausto, lavare le mani con acqua e sapone.

NOTA:

Smaltire l'olio esausto secondo metodi e procedure conformi al rispetto dell'ambiente. Trasportarlo in un contenitore sigillato alla stazione di rifornimento locale. Non gettarlo nella spazzatura o rovesciarlo a terra.

## 2. MANUTENZIONE DEL FILTRO DELL'ARIA

Un filtro dell'aria sporco limita il flusso d'aria verso il carburatore. Per evitare un funzionamento irregolare del carburatore, controllare regolarmente il filtro dell'aria. Effettuare una manutenzione più frequente se si utilizza il generatore in ambienti particolarmente polverosi.

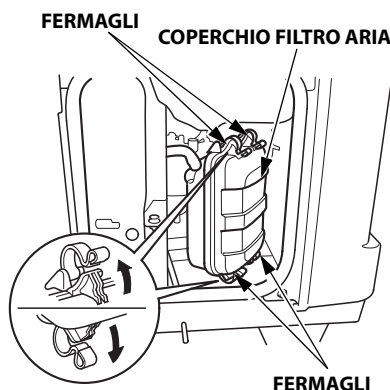
### ⚠ AVVERTENZA

**Non utilizzare benzina o solventi ad alto grado di infiammabilità per la pulizia. Questi sono infiammabili e, in determinate condizioni, esplosivi.**

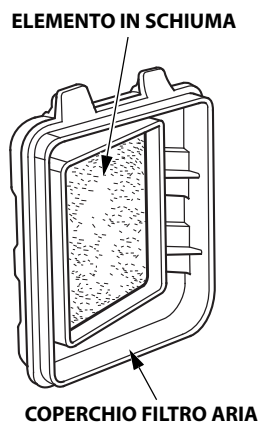
### ATTENZIONE:

**Non azionare mai il generatore in assenza del filtro dell'aria. Ciò potrebbe causare una rapida usura del motore.**

1. Aprire la copertura di manutenzione sinistra.
2. Sganciare i fermagli e rimuovere il coperchio del filtro aria.



3. Elemento in spugna:
  - a. Rimuovere l'elemento in spugna dal coperchio del filtro aria.
  - b. Lavare l'elemento in spugna in una soluzione di acqua tiepida e detergente generico, quindi risciacquare accuratamente oppure lavare con solvente non infiammabile o a basso grado di infiammabilità. Far asciugare completamente l'elemento in spugna.



- c. Immergere l'elemento in spugna in olio motore pulito e strizzarlo per eliminare l'olio in eccesso. Se nell'elemento in spugna dovesse esserci una quantità eccessiva di olio, all'avviamento del motore si formerà del fumo.
- d. Installare nuovamente l'elemento in schiuma sul coperchio del filtro aria.

Pulire

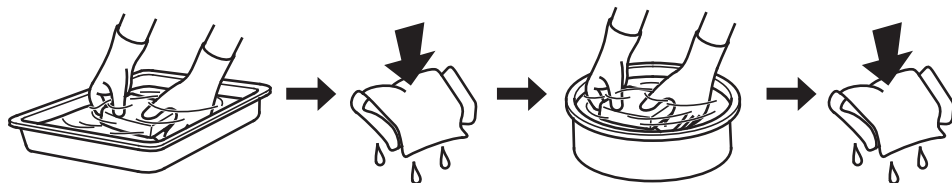
Strizzare e asciugare

Non torcere.

Immergere  
nell'olio

Strizzare

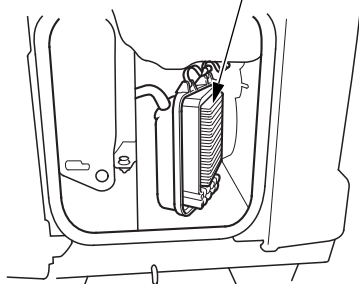
Non torcere.



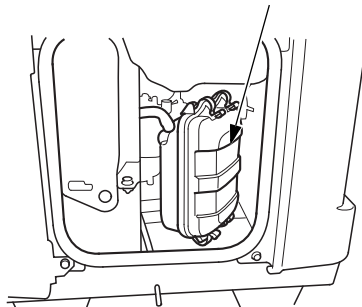
#### 4. Elemento in carta:

Se l'elemento in carta è sporco, sostituirlo con uno nuovo. Non pulire l'elemento in carta.

**ELEMENTO IN CARTA**



**COPERCHIO FILTRO ARIA**



5. Installare nuovamente il coperchio del filtro aria.

6. Chiudere saldamente la copertura di manutenzione sinistra.

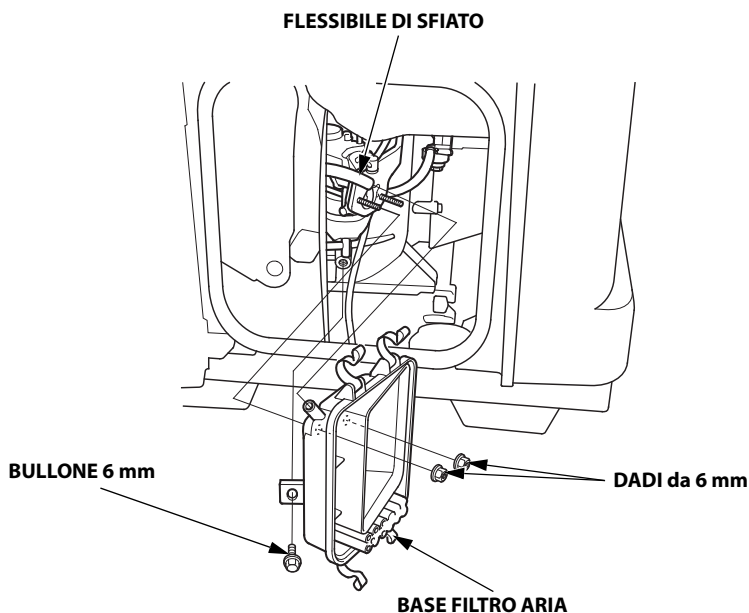
### 3. MANUTENZIONE COPPA DI SEDIMENTAZIONE CARBURANTE

#### **⚠ AVVERTENZA**

**La benzina è estremamente infiammabile e, in determinate condizioni, esplosiva. Non fumare e tenere fiamme e scintille lontane dalla zona.**

La coppa di sedimentazione impedisce che la sporcizia o l'acqua che possono trovarsi all'interno del serbatoio carburante penetrino nel carburatore. Se il motore è rimasto fermo per lungo tempo, si consiglia di pulire il filtro.

1. Portare l'interruttore del motore in posizione OFF (spegnimento).
2. Portare la leva della valvola del carburante in posizione OFF (chiusa).
3. Aprire la copertura di manutenzione sinistra.
4. Rimuovere il coperchio del filtro aria e l'elemento in carta (vedere pagina 45 e 46).
5. Scollegare il flessibile di sfiato dalla base del filtro aria.
6. Rimuovere il bullone da 6 mm e i due dadi da 6 mm, quindi rimuovere la base del filtro aria.

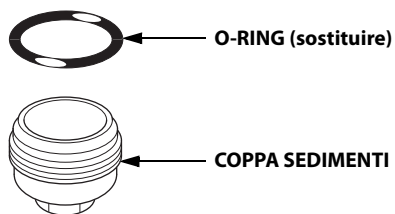
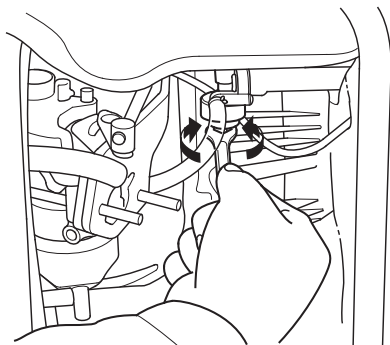


7. Rimuovere la coppa di sedimentazione ruotandola in senso antiorario.
8. Pulire la coppa di sedimentazione con un solvente non infiammabile o a basso grado di infiammabilità.
9. Reinstallare un nuovo O-ring e la coppa di sedimentazione.
10. Portare la leva della valvola carburante in posizione ON e controllare se vi sono perdite.

**⚠ AVVERTENZA**

**Dopo aver installato la coppa di sedimentazione, serrarla saldamente. Verificare che non vi siano perdite di carburante e accertarsi che l'area sia asciutta prima di avviare il motore.**

11. Reinstallare la base del filtro aria, quindi collegare il flessibile di sfiato alla base del filtro aria.
12. Reinstallare nuovamente l'elemento in carta e il coperchio del filtro aria.
13. Chiudere saldamente la copertura di manutenzione sinistra.



## 4. MANUTENZIONE CANDELE

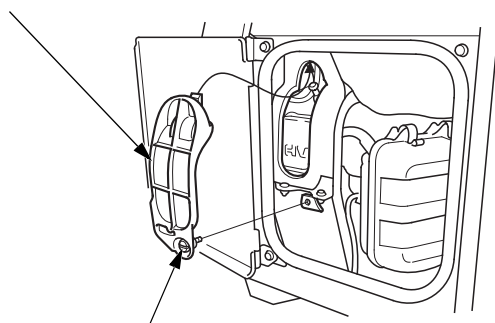
### CANDELA RACCOMANDATA:

BPR6ES (NGK), W20EPR-U (DENSO)

Per assicurare il funzionamento corretto del motore, la distanza tra gli elettrodi deve essere corretta e priva di depositi.

1. Aprire la copertura di manutenzione sinistra.
2. Allentare la vite del coperchio e rimuovere il coperchio di controllo della candela.

**COPERCHIO CONTROLLO CANDELA**

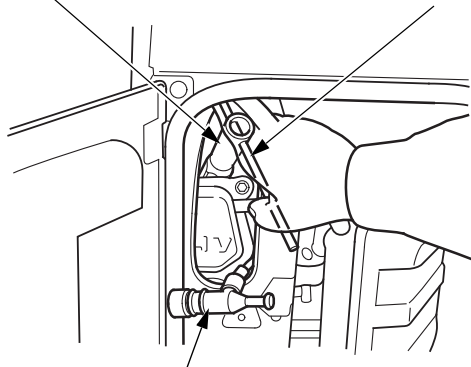


**VITE DEL COPERCHIO**

3. Rimuovere il cappuccio della candela.
4. Pulire la sporcizia presente attorno alla base della candela.
5. Rimuovere la candela con l'apposita chiave.

**CHIAVE PER CANDELE**

**IMPUGNATURA CHIAVE**



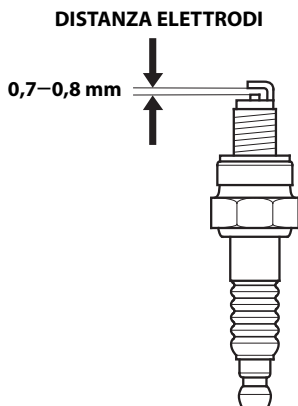
**CAPPUCCIO CANDELA**



- Eeguire un'ispezione visiva della candela. Scartare la candela se l'isolatore appare rotto, scheggiato o contaminato. Se si riutilizza la candela, pulirla con una spazzola metallica.
- Misurare la distanza fra gli elettrodi con uno spessimetro. Se necessario correggere la distanza piegando con cautela l'elettrodo laterale.

**La distanza deve essere:**

0,7–0,8 mm



- Installare con attenzione la candela, a mano, per evitare di danneggiare la filettatura.
- Dopo aver avvitato manualmente la nuova candela, serrare di 1/2 giro con una chiave fino a comprimere la rondella di tenuta. Se si reinstalla una candela usata, serrarla di 1/8–1/4 di giro dopo averla avvitata manualmente.

**COPPIA DI SERRAGGIO:** 18,0 N·m (1,8 kgf·m)

- Reinstallare il coperchio di controllo candela e serrare la vite del coperchio.
- Chiudere saldamente la copertura di manutenzione sinistra.

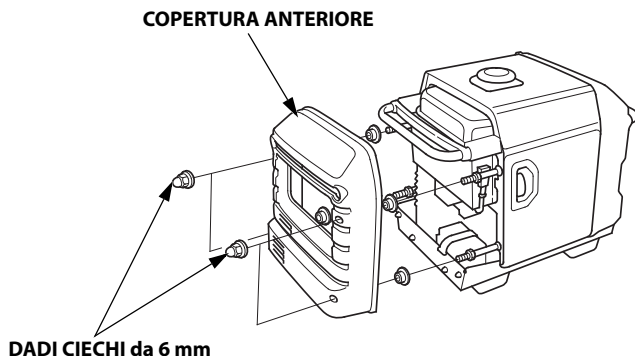
**ATTENZIONE:**

- La candela deve essere serrata saldamente. Una candela serrata in modo non corretto può diventare molto calda e danneggiare così il generatore.**
- Non usare mai una candela che abbia un grado termico non adeguato.**

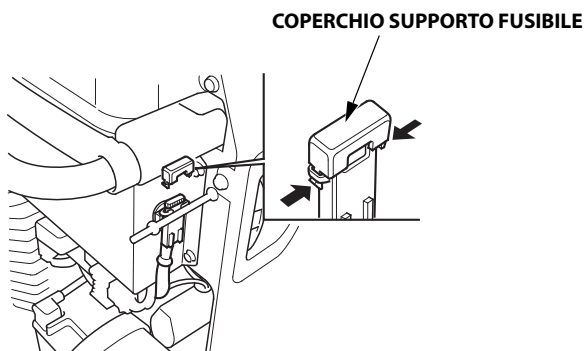
## 5. SOSTITUZIONE DEI FUSIBILI

Se il fusibile è bruciato, il motorino di avviamento non riparte finché non si è provveduto alla sua sostituzione.

1. Portare l'interruttore del motore in posizione OFF (spegnimento).
2. Rimuovere i quattro dadi ciechi da 6 mm e la copertura anteriore.



3. Rimuovere il coperchio del supporto del fusibile e sostituire il fusibile.  
Fusibile da utilizzare: 5 A



### ATTENZIONE:

- Se il fusibile si brucia frequentemente, individuarne la causa e correggere il problema prima di azionare nuovamente il generatore.
- Non utilizzare mai un fusibile con amperaggio diverso da quello prescritto. Ciò potrebbe danneggiare seriamente il sistema elettrico o causare persino un incendio.

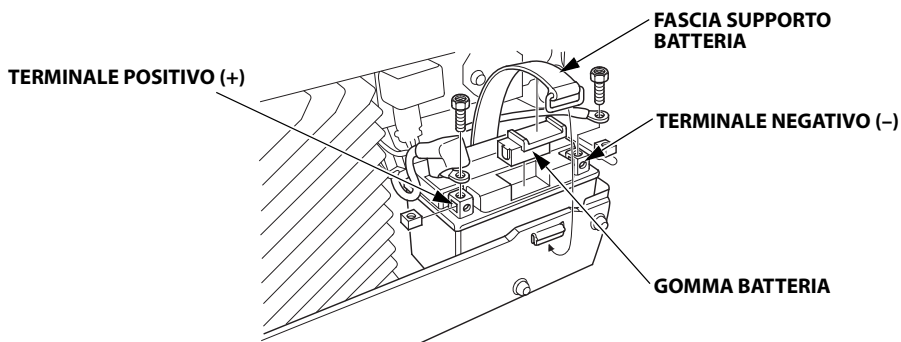
## 6. RIMOZIONE/INSTALLAZIONE BATTERIA

### ⚠ AVVERTENZA

- Le batterie generano gas esplosivi: se incendiata, l'esplosione può causare gravi lesioni o cecità. Provvedere ad un'adeguata ventilazione durante la ricarica della batteria.
- **PERICOLI CHIMICI:** L'elettrolito della batteria contiene acido solforico. Il contatto con la pelle o gli occhi, anche se attraverso degli indumenti di protezione, può causare gravi ustioni. Indossare visiera e abbigliamento protettivi.
- Tenere lontane fiamme e scintille e non fumare in prossimità dell'area.  
**MISURE DI EMERGENZA:** Se l'elettrolito viene a contatto con gli occhi, lavarli abbondantemente con acqua tiepida per almeno 15 minuti e contattare immediatamente un medico.  
**VELENO:** L'elettrolito è velenoso.
- **MISURE DI EMERGENZA**
  - Esterno: Lavare abbondantemente con acqua.
  - Interno: Se ingerito, bere grandi quantità di acqua o latte, seguite da abbondanti dosi di latte di magnesia oppure olio vegetale e contattare immediatamente un medico.
- **TENERE FUORI DALLA PORTATA DEI BAMBINI.**

### Rimozione:

1. Portare l'interruttore del motore in posizione OFF (spegnimento).
2. Rimuovere i quattro dadi ciechi da 6 mm e la copertura anteriore. (vedere pagina 51)
3. Rimuovere la fascia di supporto della batteria.
4. Scollegare il cavo dal terminale negativo (-) della batteria, quindi dal terminale positivo (+).



5. Rimuovere la batteria e la gomma della batteria dal relativo vassoio.

---

## Installazione:

1. Accertarsi che l'interruttore del motore sia posto su OFF.
2. Collegare il cavo positivo (+) al terminale positivo (+) della batteria e poi dopo il cavo negativo (-) al terminale negativo (-) della batteria. Serrare i bulloni e i dadi saldamente.
3. Installare la gomma della batteria e la fascia di supporto della batteria.
4. Installare la copertura anteriore, quindi i quattro dadi ciechi da 6 mm.

## ATTENZIONE:

**Quando si scollega il cavo della batteria, verificare di scollegare per primo il terminale negativo (-) della batteria. Quando si esegue il collegamento, collegare prima il terminale positivo (+) e successivamente il terminale negativo (-). Non s/collegare mai il cavo della batteria nell'ordine inverso, perché ciò può causare un corto circuito nel momento in cui un attrezzo entra in contatto con i terminali.**



Questo simbolo sulla batteria indica che il prodotto non può essere smaltito come rifiuto urbano.

## NOTA:

Uno smaltimento improprio della batteria può danneggiare l'ambiente e risultare nocivo per la salute.

Verificare sempre le norme locali vigenti per lo smaltimento delle batterie.

## 9. TRASPORTO/RIMESSAGGIO

Per evitare fuoriuscite di carburante durante il trasporto o l'immagazzinamento temporaneo, fissare il generatore in verticale nella normale posizione di funzionamento con l'interruttore del motore su OFF.

La leva della valvola carburante deve essere portata su OFF.

### ⚠ AVVERTENZA

**Durante il trasporto del generatore:**

- **Non riempire il serbatoio oltre il limite.**
- **Non mettere in funzione il generatore mentre è ancora sul mezzo di trasporto. Scaricare il generatore dal veicolo e azionarlo in un'area ben aerata.**
- **Nel caricare il generatore su un veicolo, evitare di lasciarlo esposto alla luce diretta del sole. Se il generatore viene lasciato all'interno di un veicolo per molte ore, l'elevata temperatura interna potrebbe far evaporare la benzina e causare un'esplosione.**
- **Non guidare per un periodo prolungato su strade dissestate con il generatore a bordo. Se ciò fosse necessario, procedere prima a rimuovere il carburante dal serbatoio del generatore.**

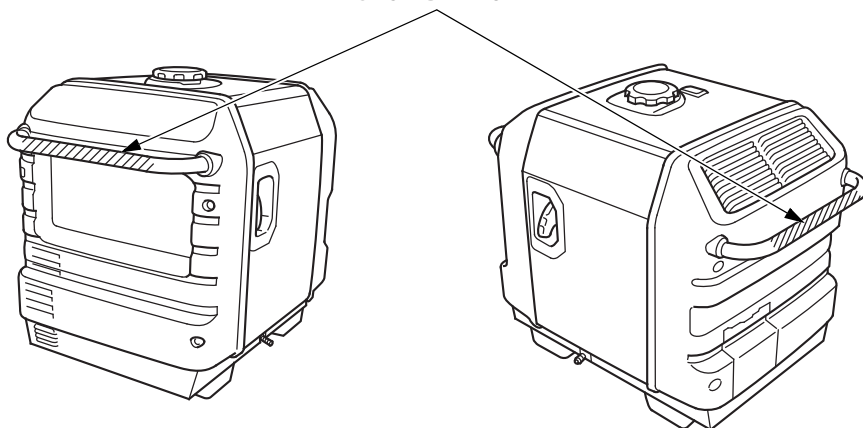
NOTA:

Per sollevare il generatore, afferrare i manici (aree tratteggiate nella figura in basso) con l'aiuto degli assistenti.

In conformità con la NORMA EUROPEA EN ISO 8528-13

*Un generatore del peso di 140 kg deve essere dotato di maniglioni di tenuta adeguati che ne consentano il trasporto da parte di 4 persone.*

MANIGLIONI DI TENUTA



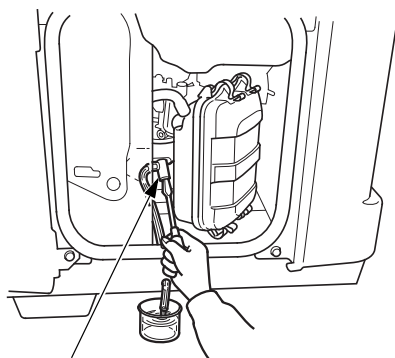
Prima di immagazzinare l'apparecchio per un periodo prolungato:

1. Accertarsi che l'area di rimessaggio sia priva di umidità e che non sia eccessivamente polverosa.
2. Scaricare il carburante.

### ⚠ AVVERTENZA

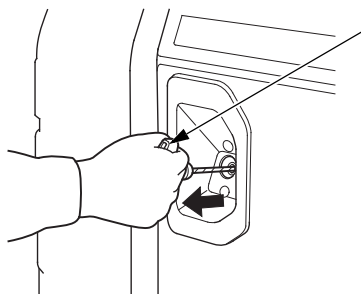
**La benzina è estremamente infiammabile e, in determinate condizioni, esplosiva. Eseguire l'operazione in un luogo ben ventilato e a motore spento. Non fumare e non avvicinare fiamme o scintille mentre si svolge questa procedura.**

- a. Aprire la copertura di manutenzione sinistra.
- b. Portare la leva della valvola carburante in posizione ON e allentare la vite di drenaggio del carburatore. Svuotare il carburatore e il serbatoio carburante scaricando il carburante in un contenitore apposito.
- c. Serrare la vite di drenaggio del carburatore, portare la leva della valvola carburante su OFF e chiudere la copertura di manutenzione sinistra.



VITE DI SCARICO

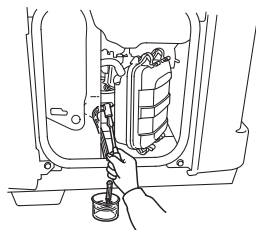
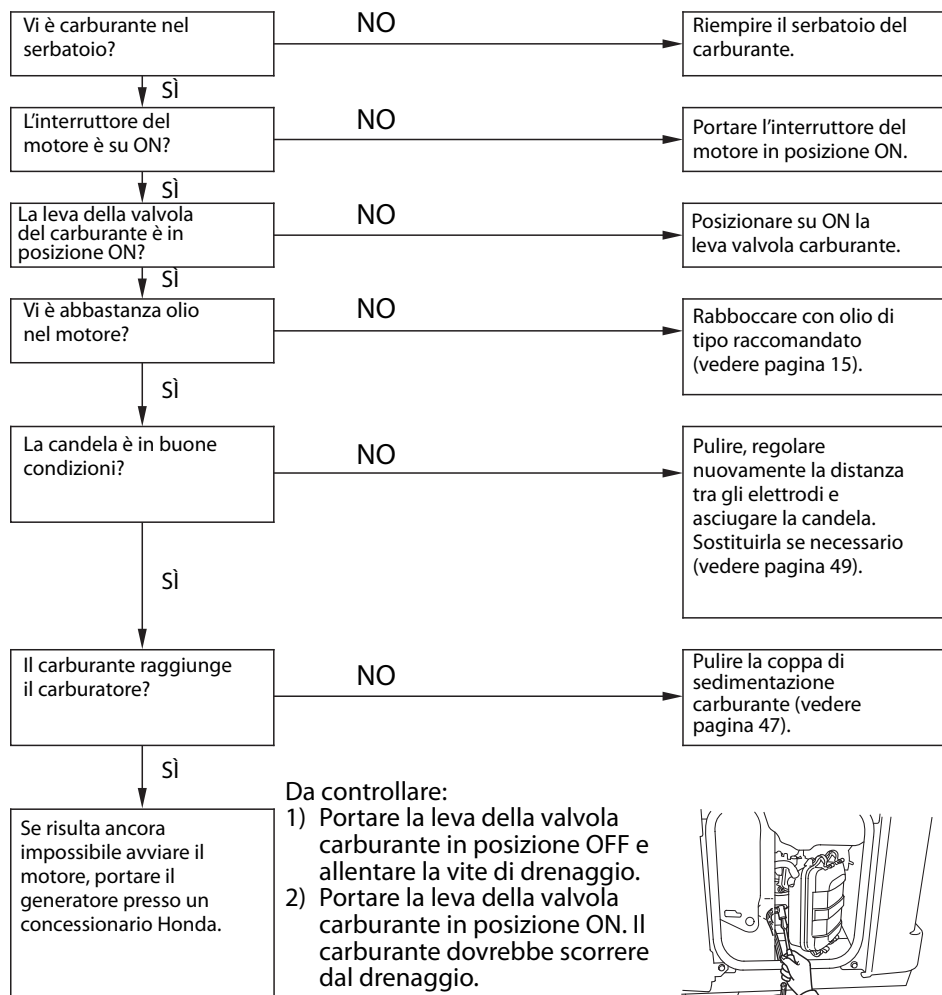
3. Una volta al mese ricaricare la batteria.
4. Cambiare l'olio motore.
5. Rimuovere la candela e versare un cucchiaino di olio motore pulito all'interno del cilindro. Avviare il motore più volte per distribuire l'olio, quindi reinstallare la candela.
6. Tirare lentamente la maniglia di avviamento fino ad avvertire una certa resistenza. A questo punto, il pistone risale nella sua fase di compressione, con le valvole di aspirazione e di scarico chiuse. Conservare il motore in questa posizione consente di proteggerlo dalla corrosione interna.



MANIGLIA DI AVVIAMENTO

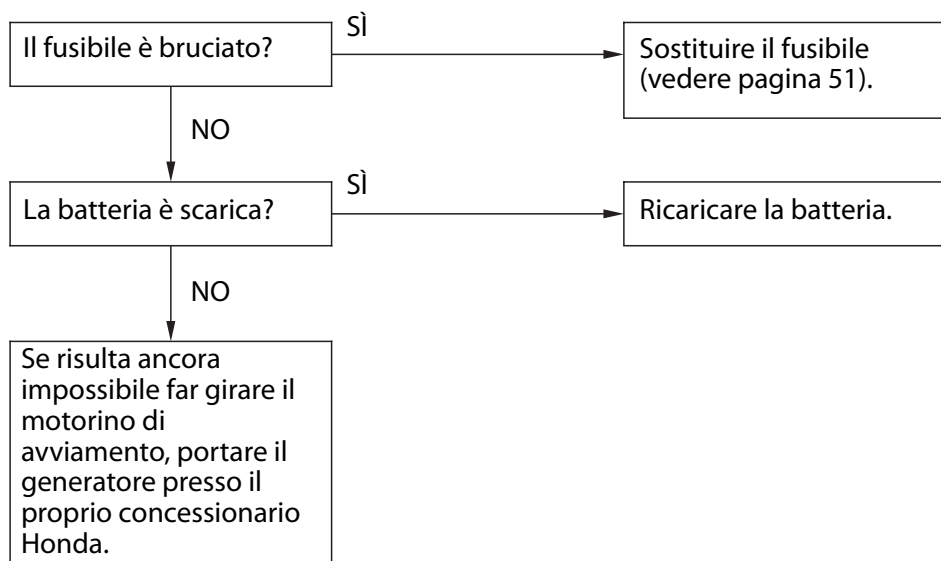
## 10. RICERCA GUASTI

Se il motore non si avvia:



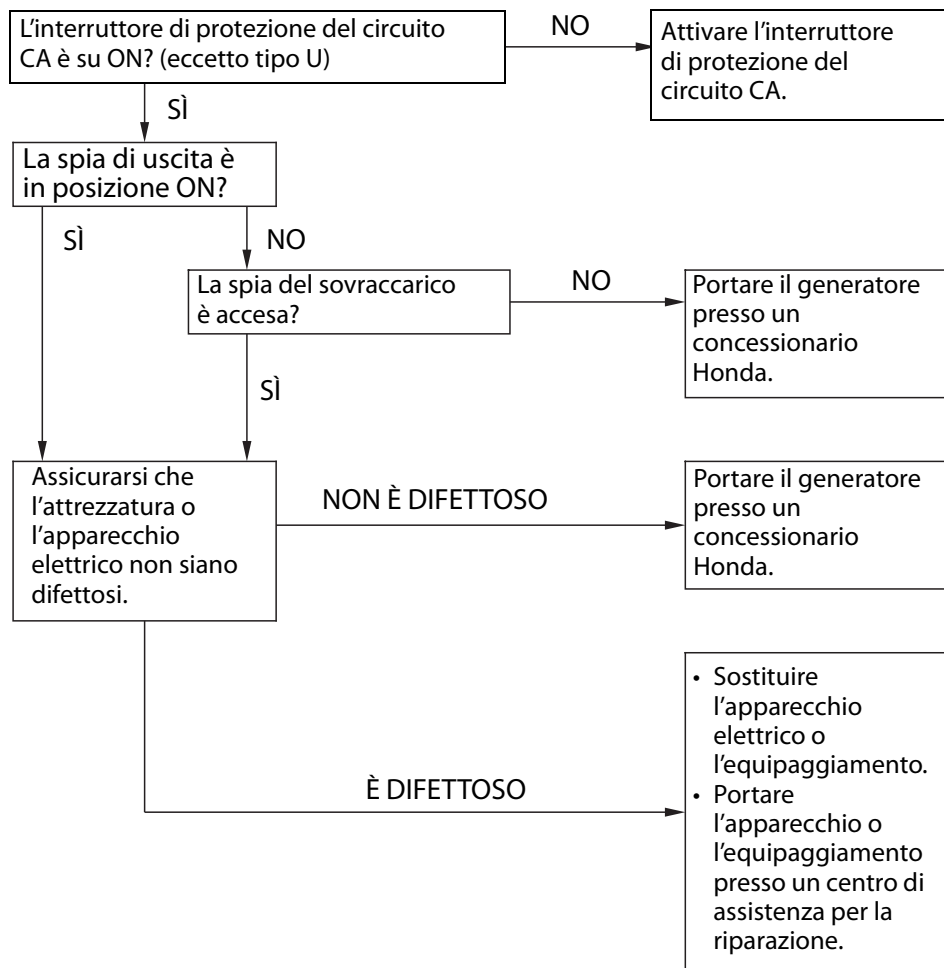
---

Il motorino di avviamento non gira.

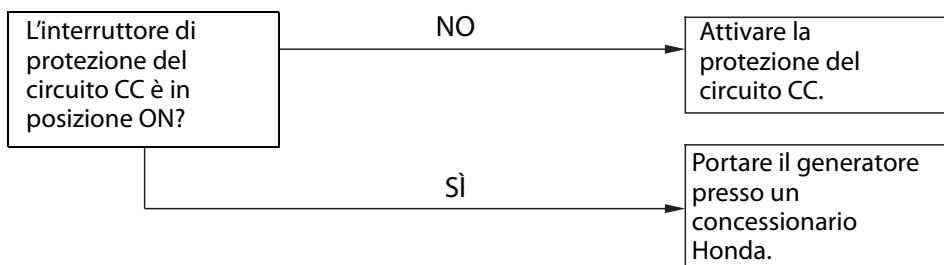




L'apparecchio collegato al generatore non funziona:



Assenza di elettricità nella presa CC:



# 11. SPECIFICHE TECNICHE

## Dimensioni e peso

Modello		EU30is1
Codice descrittivo		EZGF
Lunghezza	(tipo con supporto)	658 mm
	(tipo con ruote)	658 mm
Larghezza	(tipo con supporto)	447 mm
	(tipo con ruote)	482 mm
Altezza	(tipo con supporto)	558 mm
	(tipo con ruote)	570 mm
Massa a secco	(tipo con supporto)	59,0 kg
(peso)	(tipo con ruote)	61,2 kg

## Motore

Modello	GX200T2
Tipo di motore	4 tempi, valvola in testa, monocilindrico
Cilindrata	196 cm <sup>3</sup>
Alesaggio × corsa	68,0 × 54,0 mm
Rapporto di compressione	8.5:1
Regime di rotazione	2.500 – 3.800 min <sup>-1</sup> 3.500 – 3.800 min <sup>-1</sup> (con interruttore di accelerazione Eco su OFF)
Sistema di raffreddamento	Aria forzata
Sistema di accensione	Magnetico a transistor
Capacità olio	0,55 litri
Capacità serbatoio carburante	13,0 litri
Candela	BPR6ES (NGK) W20EPR-U (DENSO)
Batteria	12 V 8,6 AH/10 HR
Emissioni di anidride carbonica (CO <sub>2</sub> )*	Fare riferimento a "Elenco informazioni sul CO <sub>2</sub> " su <a href="http://www.honda-engines-eu.com/co2">www.honda-engines-eu.com/co2</a>

\* La misurazione di CO<sub>2</sub> è ottenuta tramite un test durante ciclo fisso in condizioni di laboratorio su un motore (principale) rappresentativo del tipo di motore (serie di motore) e non implica e non esprime garanzia di sorta relativamente alle prestazioni di un determinato motore.

## Generatore

Modello	EU30is1
Tipo	F, G, GW1, B
Tensione nominale (V)	230
Frequenza nominale (Hz)	50
Uscita CA	Corrente nominale (A) 12,2
	Potenza nominale (kV A) 2,8
	Uscita massima (kV A) 3,0
Uscita nominale CC	Solo per carica di batterie per autotrazione da 12 V. 12 V, 12 A

## Rumore

Modello	EU30is1
Tipo	F, G, GW1, B
Livello di pressione acustica percepita nella postazione di lavoro (2006/42/CE)	74 dB (A) (con interruttore di accelerazione Eco su ON)
<p>Punto microfono</p> <p>PANNELLO COMANDI</p> <p>Centro</p> <p>1,60 m</p> <p>1,0 m</p>	
Margine	2 dB (A)
Livello di potenza sonora misurata (2000/14/CE, 2005/88/CE)	89 dB (A) (con interruttore di accelerazione Eco su ON)
Margine	2 dB (A)
Livello di potenza sonora garantito (2000/14/CE, 2005/88/CE)	91 dB (A) (con interruttore di accelerazione Eco su ON)

“Le cifre fornite rappresentano i livelli di emissione e non corrispondono necessariamente ai livelli di sicurezza. Sebbene esista una correlazione tra i livelli di emissione e quelli di esposizione, non è possibile determinare con certezza se siano necessarie ulteriori precauzioni. Tra i fattori che influiscono sull’effettivo livello di esposizione del personale vi sono le caratteristiche del luogo di lavoro, le altre fonti di rumore, come il numero di macchinari e altri processi in corso nell’area, nonché il tempo di esposizione al rumore. Il livello di esposizione consentito può variare a seconda del paese. Tuttavia queste informazioni consentono all’utente di valutare meglio i rischi e i pericoli”.

### NOTA:

Le specifiche possono essere soggette a modifiche senza preavviso.

## INDICE

(vedere il retro della copertina a fine manuale)

EU30is: Tipi G, GW1, B, F .....W-1

## ABBREVIAZIONI

<b>Simbolo</b>	<b>Nome parte</b>	<b>Simbolo</b>	<b>Nome parte</b>
ACCP	Interruttore di protezione circuito CA	PL	Spia di erogazione corrente
ACNF	Filtro antirumore CA	POR	Operazioni in parallelo
ACOR	Presa di uscita CA		Presa
Bat	Batteria	Reg	Regolatore
ChW	Avvolgimento di carica	SP	Candela
CPB	Blocco pannello comandi	StM	Motorino di avviamento
CPG	Massa pannello comandi	StpM	Motore passo-passo
CSw	Interruttore combinato	StR	Relè di avviamento
DCCP	Protezione circuito CC	SW	Avvolgimento secondario
DCD	Diodo CC		
DCNF	Filtro antirumore CC		
DCOR	Presa di uscita CC		
DCW	Avvolgimento CC		
EcoSw	Interruttore acceleratore eco		
EgB	Blocco motore		
EgG	Massa motore		
ESw	Interruttore motore		
FB	Blocco telaio		
FU	Fusibile		
GeB	Blocco generatore		
GT	Terminale di terra		
ICU	Unità di controllo motore		
IgC	Bobina di accensione		
IU	Inverter		
MW	Avvolgimento principale		
OAL	Spia allarme olio		
OI	Spia sovraccarico		
OLSw	Interruttore livello olio		

## CODICE COLORE CAVO

Bl	NERO
Y	GIALLO
Bu	BLU
G	VERDE
R	ROSSO
W	BIANCO
Br	MARRONE
Lg	VERDE CHIARO
Gr	GRIGIO
Lb	AZZURRO
O	ARANCIONE
P	ROSA

---

## COLLEGAMENTI DEGLI INTERRUTTORI

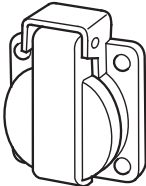
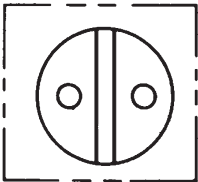
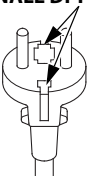
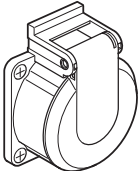
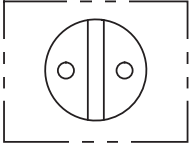
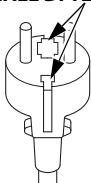
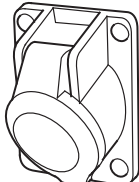
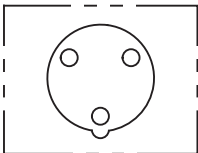
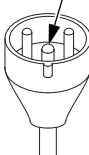
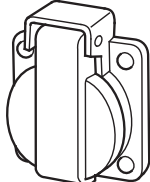
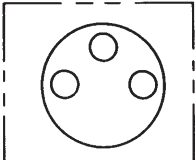
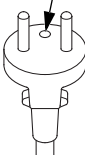
### INTERRUPTORE COMBINATO

	IG	E	BAT	ST	FS	G
OFF	○	○			○	○
ON						
START			○	○		

### INTERRUPTORE ACCELERAZIONE ECO

	BI/R	G/W	ACCELERAZIONE ECO
ON	○	○	OFF
OFF			ON

## PRESA

Tipo	Forma		Spina
G			<p data-bbox="801 225 1005 244"><b>TERMINALE DI TERRA</b></p> 
GW1			<p data-bbox="801 437 1005 456"><b>TERMINALE DI TERRA</b></p> 
B			<p data-bbox="801 655 1005 675"><b>TERMINALE DI TERRA</b></p> 
F			<p data-bbox="801 868 1005 887"><b>TERMINALE DI TERRA</b></p> 

---

**MEMO**

**WIRING DIAGRAM**

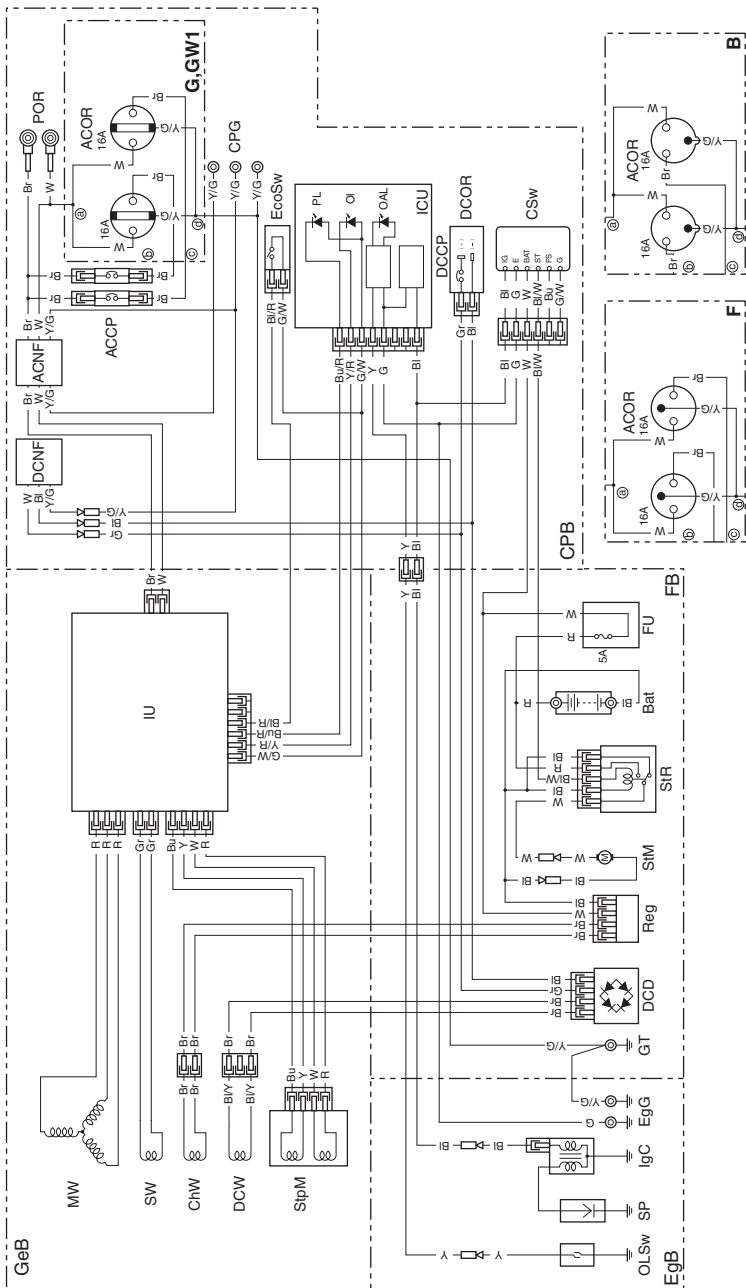
**SCHÉMA DE CABLAGE**

**SCHALTPLAN**

**DIAGRAMA DE CONEXIONES**

**DIAGRAMMA DEI COLLEGAMENTI**





## **MAJOR Honda DISTRIBUTOR ADDRESSES**

For further information, please contact Honda Customer Information Centre at the following address or telephone number:

## **ADRESSES DES PRINCIPAUX CONCESSIONNAIRES Honda**

Pour plus d'informations, s'adresser au Centre d'informations clients Honda à l'adresse ou numéro de téléphone suivants:

## **ADRESSEN DER WICHTIGSTEN Honda-HAUPTHÄNDLER**

Weitere Informationen erhalten Sie gerne vom Honda-Kundeninformationszentrum unter der folgenden Adresse oder Telefonnummer:

## **DIRECCIONES DE LOS PRINCIPALES CONCESIONARIOS Honda**

Para obtener más información, póngase en contacto con el Centro de información para clientes Honda en la dirección o número de teléfono siguientes:

## **ELENCO DEI MAGGIORI DISTRIBUTORI Honda IN EUROPA**

Per ulteriori informazioni rivolgersi al Centro informazioni clienti Honda al seguente indirizzo o numero telefonico:

## AUSTRIA

### Honda Motor Europe Ltd

Hondastraße 1

2351 Wiener Neudorf

Tel.: +43 (0)2236 690 0

Fax: +43 (0)2236 690 480

<http://www.honda.at>

✉ [HondaPP@honda.co.at](mailto:HondaPP@honda.co.at)

## BALTIC STATES (Estonia/Latvia/ Lithuania)

### NCG Import Baltics OU

Meistri 12

13517 Tallinn

Harju County Estonia

Tel.: +372 651 7300

Fax: +372 651 7301

✉ [info.baltic@ncgimport.com](mailto:info.baltic@ncgimport.com)

## BELARUS

### JV Scanlink Ltd

Montazhnikov lane 4th, 5-16

Minsk 220019

Republic of Belarus

Tel.: +375172349999

Fax: +375172380404

✉ [honda@jpmotors.lt](mailto:honda@jpmotors.lt)

## BELGIUM

### Honda Motor Europe Ltd

Doornveld 180-184

1731 Zellik

Tel.: +32 2620 10 00

Fax: +32 2620 10 01

<http://www.honda.be>

✉ [bh\\_pe@honda-eu.com](mailto:bh_pe@honda-eu.com)

## BULGARIA

### Premium Motor Ltd

Andrey Lyapchev Blvd no 34

1797 Sofia

Bulgaria

Tel.: +3592 423 5879

Fax: +3592 423 5879

<http://www.hondamotor.bg>

✉ [office@hondamotor.bg](mailto:office@hondamotor.bg)

## CROATIA

### AS Domžale Moto center d.o.o.

Brezence

SI-8216 Mirna Peč

Tel.: +386 1 562 37 00

<http://www.honda-as.com>

✉ [info@honda-as.com](mailto:info@honda-as.com)

## CYPRUS

### Powerline Products Ltd

Cyprus - Nicosia

Vasilias 18 2232 Latsia

Tel.: 0035799490421

✉ [info@powerlinecy.com](mailto:info@powerlinecy.com)

<http://www.powerlinecy.com>

## CZECH REPUBLIC

### BG Technik cs, a.s.

U Zavodiste 251/8

15900 Prague 5 - Velka

Chuchle

Tel.: +420 2 838 70 850

Fax: +420 2 667 111 45

<http://www.honda-stroje.cz>

## DENMARK

### TIMA A/S

Ryttermarken 10

DK-3520 Farum

Tel.: +45 36 34 25 50

Fax: +45 36 77 16 30

<http://www.tima.dk>

## FINLAND

### OY Brandt AB.

Tuupakantie 7B

01740 Vantaa

Tel.: +358 207757200

Fax: +358 9 878 5276

<http://www.brandt.fi>

## FRANCE

### Honda Motor Europe Ltd

Division Produit d'Equipement

Parc d'activités de Pariest,

Allée du 1er mai

Croissy Beaubourg BP46, 77312

Marne La Vallée Cedex 2

Tel.: 01 60 37 30 00

Fax: 01 60 37 30 86

<http://www.honda.fr>

✉ [espace-client@honda-eu.com](mailto:espace-client@honda-eu.com)

## GERMANY

### Honda Deutschland Niederlassung der Honda Motor Europe Ltd.

Hanauer Landstraße 222-224

D-60314 Frankfurt

Tel.: 01805 20 20 90

Fax: +49 (0)69 83 20 20

<http://www.honda.de>

✉ [info@post.honda.de](mailto:info@post.honda.de)

## GREECE

### Technellas S.A.

92 Athinon Ave  
10442 Athens, Greece  
Tel.: +30 210 519 31 10  
Fax: +30 210 519 31 14  
✉ mail@technellas.gr

## HUNGARY

### MP Motor Co., Ltd.

Kamaraerdei ut 3.  
2040 Budaors  
Tel.: +36 23 444 971  
Fax: +36 23 444 972  
<http://www.hondakisgepek.hu>  
✉ info@hondakisgepek.hu

## IRELAND

### Two Wheels Ltd

M50 Business Park, Ballymount  
Dublin 12  
Tel.: +353 1 4381900  
Fax: +353 1 4607851  
<http://www.hondaireland.ie>  
✉ sales@hondaireland.ie

## ISRAEL

### Mayer's Cars and Trucks Co.Ltd. - Honda Division

Shevach 5, Tel Aviv, 6777936  
Israel  
+972-3-6953162  
✉ OrenBe@mct.co.il

## ITALY

### Honda Motore Europe Ltd

Via della Cecchignola, 13  
00143 Roma  
Tel.: +848 846 632  
Fax: +39 065 4928 400  
<http://www.hondaitalia.com>  
✉ info.power@honda-eu.com

## NORTH MACEDONIA

### AS Domžale Moto center d.o.o.

Brezence  
SI-8216 Mirna Peč  
Tel.: +386 1 562 37 00  
<http://www.honda-as.com>  
✉ info@honda-as.com

## MALTA

### The Associated Motors Company Ltd.

New Street in San Gwakkinn Road  
Mrieħel Bypass, Mrieħel QRM17  
Tel.: +356 21 498 561  
Fax: +356 21 480 150  
✉ mgalea@gasanzammit.com

## NORWAY

### Berema AS

P.O. Box 454 1401 Ski  
Tel.: +47 64 86 05 00  
Fax: +47 64 86 05 49  
<http://www.berema.no>  
✉ berema@berema.no

## POLAND

### Aries Power Equipment

Puławska 467  
02-844 Warszawa  
Tel.: +48 (22) 861 43 01  
Fax: +48 (22) 861 43 02  
<http://www.ariespower.pl>  
<http://www.mojahonda.pl>  
✉ info@ariespower.pl

## PORTUGAL

### GROW Produtos de Forca Portugal

Rua Fontes Pereira de Melo, 16  
Abrunheira, 2714-506 Sintra  
Tel.: +351 211 303 000  
Fax: +351 211 303 003  
<http://www.grow.com.pt>  
✉ geral@grow.com.pt

## ROMANIA

### Agrisorg SRL

Sacadat Str Principala  
Nr 444/A Jud. Bihor  
Romania  
Tel.: (+4) 0259 458 336  
✉ info@agrisorg.com

## SERBIA & MONTENEGRO

### AS Domžale Moto center d.o.o.

Brezence  
SI-8216 Mirna Peč  
Tel.: +386 1 562 37 00  
<http://www.honda-as.com>  
✉ info@honda-as.com

## **SLOVAK REPUBLIC**

**Honda Motor Europe Ltd  
Slovensko, organizačná zložka**

Prievozká 6 821 09 Bratislava

Tel.: +421 2 32131111

Fax: +421 2 32131112

<http://www.honda.sk>

## **SLOVENIA**

**AS Domžale Moto center d.o.o.**

Brezence

SI-8216 Mirna Peč

Tel.: +386 1 562 37 00

<http://www.honda-as.com>

✉ [info@honda-as.com](mailto:info@honda-as.com)

## **SPAIN & all Provinces**

**Greens Power Products, S.L.**

Poligono Industrial Congost –

Av Ramon Ciurans n°2

08530 La Garriga - Barcelona

Tel.: +34 93 860 50 25

Fax: +34 93 871 81 80

<http://www.hondaencasa.com>

## **SWEDEN**

**Honda Motor Europe Ltd filial  
Sverige**

Box 31002 - Långhusgatan 4

215 86 Malmö

Tel.: +46 (0)40 600 23 00

Fax: +46 (0)40 600 23 19

<http://www.honda.se>

✉ [hpesinfo@honda-eu.com](mailto:hpesinfo@honda-eu.com)

## **SWITZERLAND**

**Honda Motor Europe Ltd.  
Succursale de Satigny/Genève**

Rue de la Bergère 5

1242 Satigny

Tel.: +41 (0)22 989 05 00

Fax: +41 (0)22 989 06 60

<http://www.honda.ch>

## **TURKEY**

**Anadolu Motor Uretim Ve  
Pazarlama As**

Sekerpınar Mah

Albayrak Sok No 4

Cayırova 41420

Kocaeli

Tel.: +90 262 999 23 00

Fax: +90 262 658 94 17

<http://www.anadolumotor.com.tr>

✉ [antor@antor.com.tr](mailto:antor@antor.com.tr)

## **UKRAINE**

**Dnipro Motor LLC**

3, Bondarsky Alley,

Kyiv, 04073, Ukraine

Tel.: +380 44 537 25 76

Fax: +380 44 501 54 27

✉ [igor.lobunets@honda.ua](mailto:igor.lobunets@honda.ua)

## **UNITED KINGDOM**

**Honda Motor Europe Ltd**

Cain Road

Bracknell

Berkshire

RG12 1 HL

Tel.: +44 (0)845 200 8000

<http://www.honda.co.uk>

**"EC Declaration of Conformity" CONTENT OUTLINE**  
**"Déclaration CE de Conformité" DESCRIPTION DE TABLE DES MATIERES**  
**"EG-Konformitätserklärung" INHALTSÜBERSICHT**  
**DESCRIPCIÓN GENERAL DEL CONTENIDO DE LA "Declaración de Conformidad CE"**  
**DESCRIZIONE DEL CONTENUTO DELLA "Dichiarazione CE di Conformità"**

**EC Declaration of Conformity**

1. The undersigned, \*2, on behalf of the authorized representative, herewith declares that the machinery described below fulfils all the relevant provisions of:
- Directive 2006/42/EC on machinery
  - Directive 2014/30/EU on electromagnetic compatibility
  - Directive 2000/14/EC – 2005/88/EC on outdoor noise
  - Directive 2011/65/EU - (EU) 2015/863 on the restriction of the use of certain hazardous substances in electrical and electronic equipment

2. Description of the machinery

- a) Product: Generating sets  
 b) Function: producing electrical power

c) Model	d) Type	e) Serial number
*1	*1	

3. Manufacturer

Honda Motor Co., Ltd.  
 2-1-1 Minamiaoyama, Minato-ku, Tokyo, JAPAN

4. Authorized representative and able to compile the technical documentation

Honda Motor Europe Ltd - Aalst Office  
 Wijngaardveld 1 (Noord V)  
 9300 Aalst - Belgium

5. References to applied standards

EN ISO 8528-13:2016  
 EN 55012:2007+A1:2009  
 EN 61000-6-1:2007

6. Outdoor noise Directive

- a) Measured sound power (dB(A)): \*1  
 b) Guaranteed sound power (dB(A)): \*1  
 c) Noise parameter (kW): \*1  
 d) Conformity assessment procedure: \*2  
 e) Notified body: \*2

7. Done at:

Aalst , BELGIUM

8. Date:

\*2

\_\_\_\_\_  
 \*2  
 Manager Homologation Department

\*1: see specification page.

\*2: see original EC Declaration of Conformity.

\*1: voir page de spécifications

\*2: voir la Déclaration CE de Conformité originale

\*1: Siehe Spezifikationen-Seite

\*2: Siehe ursprüngliche EG-Konformitätserklärung

\*1: consulte la página de las especificaciones

\*2: ver Declaración de conformidad CE original

\*1: vedi la pagina delle caratteristiche tecniche

\*2: V. Dichiarazione CE di Conformità originale

\*1: Zie specificities pagina

\*2: Zie ook de originele EG-verklaring van overeenstemming

<p><b>Français (French)</b> Déclaration CE de Conformité 1. Le sous signé, *2, de la part du représentant autorisé, déclare que la machine décrit ci-dessous répond à toutes les dispositions applicables de * Directive Machine 2006/42/CE * Directive 2014/30/UE sur la compatibilité électromagnétique * Directive 2000/14/CE - 2005/88/CE des émissions sonores dans l'environnement des matériels destinés à être utilisé à l'extérieur des bâtiments * Directive 2011/65/UE - (UE) 2015/863 relative à la limitation de l'utilisation de certaines substances dangereuses dans les équipements électriques et électroniques 2. Description de la machine a) Produit : Générateur b) Fonction : produire du courant électrique c) Modèle d) Type e) Numéro de série 3. Constructeur 4. Représentant autorisé et en charge des éditions de documentation techniques 5. Référence aux normes appliquées 6. Directive des émissions sonores dans l'environnement des matériels destinés à être utilisé à l'extérieur des bâtiments a) Puissance acoustique mesurée b) Puissance acoustique garantie c) Paramètre du bruit d) Procédure d'évaluation de conformité e) Organisme notifié 7. Fait à 8. Date</p>	<p><b>Italiano (Italian)</b> Dichiarazione CE di Conformità 1. Il sottoscritto, *2, in qualità di rappresentante autorizzato, dichiara qui di seguito che la macchina sotto descritta soddisfa tutte le disposizioni pertinenti delle: * Direttiva macchine 2006/42/CE * Direttiva sulla compatibilità elettromagnetica 2014/30/UE * Direttiva sulla emissione acustica delle macchine e attrezzature destinate a funzionare all'aperto 2000/14/CE - 2005/88/CE * Direttiva 2011/65/UE - (UE) 2015/863 sulla restrizione dell'uso di determinate sostanze pericolose nelle apparecchiature elettriche ed elettroniche 2. Descrizione della macchina a) Prodotto : Generatore b) Funzione : Produzione di energia elettrica c) Modello d) Tipo e) Numero di serie 3. Costruttore 4. Rappresentante autorizzato e competente per la compilazione della documentazione tecnica 5. Riferimento alle norme applicate 6. Direttiva sulle emissioni acustiche delle macchine e attrezzature destinate a funzionare all'aperto a) Livello di potenza sonora misurato b) Livello di potenza sonora garantito c) Parametri emissione acustica d) Procedura di valutazione della conformità e) Organismo notificato 7. Fatto a 8. Data</p>	<p><b>Deutsch (German)</b> EG-Konformitätserklärung 1. Der Unterzeichner, *2 erklärt hiermit im Namen der Bevollmächtigten, dass das hierunter genannte Maschine allen einschlägigen Bestimmungen der * entspricht. * Maschinennichtlinie 2006/42/EG * Richtlinie der Elektromagnetischen Kompatibilität 2014/30/UE * Geräuschrichtlinie im Freien 2000/14/EG - 2005/88/EG * Richtlinie 2011/65/UE - (EU) 2015/863 zur Beschränkung der Verwendung bestimmter gefährlicher Stoffe in Elektro- und Elektronikgeräten 2. Beschreibung der Maschine a) Produkt : Stromerzeuger b) Funktion : Strom produzieren c) Modell d) Typ e) Seriennummer 3. Hersteller 4. Bevollmächtigter und in der Position, die technische Dokumentation zu erstellen 5. Verweis auf aufwendbare Standards 6. Geräuschrichtlinie im Freien a) gemessene Lautstärke b) Schalleistungspegel c) Geräuschvorgabe d) Konformitätsbewertungs Ablauf e) Benannte Stelle 7. Ort 8. Datum</p>
<p><b>Nederlands (Dutch)</b> EG-verklaring van overeenstemming 1. Ondergetekende, *2, in naam van de gemachtigde van de fabrikant, verklaart hiermee dat het hieronder beschreven machine voldoet aan alle toepasselijke bepalingen van : * Richtlijn 2006/42/EG betreffende machines * Richtlijn 2014/30/UE betreffende elektromagnetische overeenstemming * Richtlijn 2000/14/EG - 2005/88/EG betreffende geluidsemissie (openlucht) * Richtlijn 2011/65/UE - (EU) 2015/863 betreffende beperking van het gebruik van bepaalde gevaarlijke stoffen in elektrische en elektronische apparatuur 2. Beschrijving van de machine a) Product : Generator b) Functie : elektriciteit produceren c) Model d) Type e) Serienummer 3. Fabrikant 4. Gemachtigde van de fabrikant en in staat om de technische documentatie samen te stellen 5. Referentie voor toegepaste normen 6. Geluidsemissierichtlijn (openlucht) a) Gemeten geluidsvermogensniveau b) Gewaarborgd geluidsvermogensniveau c) Geluidspanparameter d) Conformiteitsbeoordelingsprocedure e) Aangemelde instantie 7. Plaats 8. Datum</p>	<p><b>Dansk (Danish)</b> EF OVERENSTEMMELSEERKLÆRING 1. UNDERTEGNEDE, *2, PÅ VEGNE AF DEN AUTORISEREDE REPRÆSENTANT, ERKLÆRER HERMED AT MASKINEN, SOM ER BESKREVET NEDENFOR, OPFYLDER ALLE RELEVANTE BESTEMMELSER I FØLGE: * MASKINDIREKTIV 2006/42/EF * EMC-DIREKTIV 2014/30/UE * DIREKTIV OM STØJEMMISSION 2000/14/EF - 2005/88/EF * Direktiv 2011/65/UE - (EU) 2015/863 om begrænsning af anvendelsen af visse farlige stoffer i elektrisk og elektrisk udstyr 2. BESKRIVELSE AF PRODUKTET a) Produkt : Generator b) ANVENDELSE : Produktion af elektricitet c) Model d) TYPE e) SERIENUMMER 3. PRODUCENT 4. AUTORISERET REPRÆSENTANT OG I STAND TIL AT UDARBEJDE DEN TEKNISKE DOKUMENTATION 5. Henvisning til anvendte standarder 6. DIREKTIV OM STØJEMMISSION FRA MASKINER TIL UDENDØRS BRUG a) MÅLT LYEFFEKTNIVEAU b) GARANTERET LYEFFEKTNIVEAU c) STØJPARAMETER d) PROCEDURE FOR OVERENSTEMMELSESVURDERING e) BEMYNDIGET ORGAN 7. STED 8. DATO</p>	<p><b>Ελληνικά (Greek)</b> ΕΚ-Δήλωση συμμόρφωσης 1. Ο κάτωθι υπογεγραμμένος, *2, εκ μέρους του εξουσιοδοτημένου αντιπροσώπου με το παρών δηλώνω ότι το παρακάτω περιγραφόμενο όχημα πληροί όλες τις σχετικές προδιαγραφές του: * Οδηγία 2006/42/ΕΚ για μηχανές * Οδηγία 2014/30/ΕΕ για την ηλεκτρομαγνητική συμβατότητα * Οδηγία 2000/14/ΕΚ - 2005/88/ΕΚ για το επίπεδο θορύβου σε εξωτερικούς χώρους. * Οδηγία 2011/65/ΕΕ - (ΕΕ) 2015/863 για τον περιορισμό της χρήσης ορισμένων επικίνδυνων ουσιών σε ηλεκτρικό και ηλεκτρονικό εξοπλισμό 2. Περιγραφή μηχανήματος a) προϊόν : Ηλεκτοπαραγωγό ζεύγος b) λειτουργία : για παραγωγή ηλεκτρικής ενέργειας c) Μοντέλο d) Τύπος e) Αριθμός σειράς παραγωγής 3. Κατασκευαστής 4. Εξουσιοδοτημένος αντιπρόσωπος και είναι σε θέση να καταρτίσει τον τεχνικό φάκελο 5. Παραπομπή στα ισχύοντα πρότυπα 6. Οδηγία επιπέδου θορύβου εξωτερικών χώρων a) Μετρηθείσα ηχητική ένταση b) Εγγυημένη ηχητική ένταση c) Ηχητική παράμετρος d) Διαδικασία πιστοποίησης e) Οργανισμός πιστοποίησης 7. Η δοκιμή έγινε 8. Ημερομηνία</p>
<p><b>Svenska (Swedish)</b> EG-försäkran om överensstämmelse 1. Undertecknad, *2, på uppdrag av auktoriserad representant, deklarerar härmed att maskinen beskriven nedan fullföljer alla relevanta bestämmelser enligt : * Direktiv 2006/42/EG gällande maskiner * Direktiv 2014/30/UE gällande elektromagnetisk kompatibilitet * Direktiv 2000/14/EG - 2005/88/EG gällande buller utomhus * Direktiv 2011/65/UE - (EU) 2015/863 om begränsning av användning av vissa farliga ämnen i elektrisk och elektronisk utrustning 2. Maskinbeskrivning a) Produkt : Elverk b) Funktion : producera el c) Modell d) Typ e) Serienummer 3. Tillverkare 4. Auktoriserad representant och ska kunna sammanställa teknisk dokumentationen 5. Referens för tillämpad standard 6. Direktiv för buller utomhus a) Uppmått ljudnivå b) Garanterad ljudnivå c) Buller parameter d) Förfarande för bedömning e) Anmälda organ 7. Utfärdat vid 8. Datum</p>	<p><b>Español (Spanish)</b> Declaración de Conformidad CE 1. El abajo firmante, *2, en representación del representante autorizado, adjunto declara que la máquina abajo descrita, cumple las cláusulas relevantes de: * Directiva 2006/42/CE de maquinaria * Directiva 2014/30/UE de compatibilidad electromagnética * Directiva 2000/14/CE - 2005/88/CE de ruido exterior * Directiva 2011/65/UE - (UE) 2015/863 sobre restricciones a la utilización de determinadas sustancias peligrosas en aparatos eléctricos y electrónicos 2. Descripción de la máquina a) Producto : Generador b) Función : Producción de electricidad c) Modelo d) Tipo e) Número de serie 3. Fabricante 4. Representante autorizado que puede compilar el expediente técnico 5. Referencia a normas aplicadas 6. Directiva sobre ruido exterior a) Potencia sonora Medida b) Potencia sonora Garantizada c) Parámetros ruido d) Procedimiento evaluación conformidad e) Organismo notificado 7. Realizado en 8. Fecha</p>	<p><b>Română (Romanian)</b> CE -Declaratie de Conformitate 1. Subsemnatul *2, în numele reprezentantului autorizat, declar prin prezenta fapturi că echipamentul descris mai jos îndeplinește toate condițiile necesare din: * Directiva 2006/42/CE privind echipamentul * Directiva 2014/30/UE privind compatibilitatea electromagnetica * Directiva 2000/14/CE - 2005/88/CE privind poluarea fonica în spatiu deschis * Directiva 2011/65/UE - (UE) 2015/863 privind restricțiile de utilizare a anumitor substanțe periculoase în echipamentele electrice și electronice 2. Descrierea echipamentului a) Produsul : Motogenerator electric b) Domeniul de utilizare : generarea energiei electrice c) Model d) Tip e) Serie produs 3. Producător 4. Reprezentant autorizat și abilitat să realizeze documentația tehnică 5. Referință la standardele aplicate 6. Directiva privind poluarea fonica în spațiul închis a) Puterea acustică măsurată b) Puterea acustică maximă garantată c) Indice poluare fonica d) Procedura de evaluare a conformității e) Notificat 7. Emisă la 8. Data</p>

<p><b>Português (Portuguese)</b>  Declaración CE de Conformidade  1. O abaixo assinado, "2, declara deste modo, em nome do mandatário, que o máquina abaixo descrito cumpre todas as estipulações relevantes da:  * Directiva 2006/42/CE de máquina  * Directiva 2014/30/UE de compatibilidade electromagnética  * Directiva 2000/14/CE - 2005/88/CE de ruído exterior  * Directiva 2011/65/UE - (UE) 2015/863 relativa a restrição do uso de determinadas substâncias perigosas em equipamentos eléctricos e electrónicos  2. Descrição da máquina  a) Produto : Gerador  b) Função : produção de energia eléctrica  c) Modelo d) Tipo  e) Número de série  3. Fabricante  4. Mandatário com capacidade para compilar documentação técnica  5. Referência às normas aplicadas  6. Directiva de ruído exterior  a) Potência sonora medida  b) Potência sonora garantida  c) Parametro de ruído  d) Procedimento de avaliação da conformidade  e) Organismo notificado  7. Feito em 8. Data</p>	<p><b>Polski (Polish)</b>  Deklaracja zgodności WE  1. Niżej podpisany, "2, w imieniu upoważnionego przedstawiciela, niniejszym deklaruje, że urządzenie opisane poniżej spełnia wszystkie odpowiednie postanowienia:  * Dyrektywa Maszynowa 2006/42/WE  * Dyrektywa Kompatybilności Elektromagnetycznej 2014/30/UE  * Dyrektywa Hałasowa 2000/14/WE - 2005/88/WE  * Dyrektywy 2011/65/UE - (UE) 2015/863 w sprawie ograniczenia stosowania niektórych niebezpiecznych substancji w sprzęcie elektrycznym i elektronicznym  2. Opis urządzenia  a) Produkt : Agregat prądowórczy  b) Funkcja : produkcja energii elektrycznej  c) Model d) Typ  e) Numery seryjne  3. Producent  4. Upoważniony Przedstawiciel oraz osoba upoważniona do przygotowania dokumentacji technicznej  5. Odniesienie do zastosowanych norm  6. Dyrektywa Hałasowa  a) Zmierzony poziom mocy akustycznej  b) Gwarantowany poziom mocy akustycznej  c) Wartość hałasu  d) Procedura oceny zgodności  e) Jednostka notyfikowana  7. Miejsce 8. Data</p>	<p><b>Suomi / Suomen kieli (Finnish)</b>  EY-VAAKATIMUSTENMUKAISUUSVAKUUTUS  1. Allekirjoittanut, "2, vakuuttaa valmistajan edustaja, vakuuttaa täten että alla mainittu kone/tuote täyttää kaikki seuraavia määräyksiä:  * Konedirektiivi 2006/42/EY  * Direktiivi 2014/30/EU sähkömagneettinen yhteensopivuus  * Direktiivi 2000/14/EY - 2005/88/EY ympäristön melu  * Direktiivi 2011/65/EU - (EU) 2015/863 tietyistä vaarallisten aineiden käytön rajoittamisesta sähkö- ja elektroniikkalaitteissa  2. TUOTTEEN KUVAUS  a) Tuote : Aggregaatti  b) Toiminto : sähkön tuottaminen  c) Malli d) TYYPPI  e) SARJANUMERO  3. VALMISTAJA  4. Valmistajan edustaja ja teknisten dokumenttien laatija  5. Viittaus sovellettuihin standardeihin  6. Ympäristön meludirektiivi  a) Mittauksen melutaso  b) Todenmukainen melutaso  c) Meluparametri  d) Yhdenmukaistuksen arvioinnin menetelmä  e) Tiedonantoelin  7. TEHTY 8. PÄIVÄMÄÄRÄ</p>
<p><b>Magyar (Hungarian)</b>  EK-megfelelőségi nyilatkozata  1. Alulírott "2, a gyártó cég börtvényes képviselőjeként nyilatkozom, hogy az általam gyártott gép megfelel az összes, alább felsorolt direktívának:  * 2006/42/EK Direktívának berendezésekre  * 2014/30/EU Direktívának elektromágneses megfeleléségre  * 2000/14/EK - 2005/88/EK Direktívának kültéri zajszintre  * Tanács 2011/65/EU - (EU) 2015/863 egyes veszélyes anyagok elektromos és elektronikus berendezésekben való alkalmazásának korlátozásáról  2. A gép leírása  a) Termék : Áramfejlesztő  b) Funkció : elektromos áram előállítás  c) Modell d) Típus  e) Sorozatszám  3. Gyártó  4. Meghatalmazott képviselője és képes összehállítani a műszaki dokumentációt  5. Referencia az alkalmazott szabványokhoz  6. Kültéri zajszint Direktiva  a) Mért hangerő  b) Szavatolt hangerő  c) Zajszint paraméter  d) Megfelelőségi becslési eljárás  e) Kijelölt szervezet  7. Keltetés helye  8. Keltetés ideje</p>	<p><b>Čeština (Czech)</b>  ES - Prohlášení o shodě  1. Podepsaný "2, jako autorizovaná osoba zde potvrzuje, že stroj popsaný níže splňuje požadavky příslušných opatření:  * Směrnice 2006/42/ES pro strojí zařízení  * Směrnice 2014/30/EU stanovující technické požadavky na výrobky z hlediska elektromagnetické kompatibility  * Směrnice 2000/14/ES - 2005/88/ES stanovující technické požadavky na výrobky z hlediska emisí hluku vzniklé při provozu  * Rady 2011/65/EU - (EU) 2015/863 o omezení používání některých nebezpečných látek v elektrických a elektronických zařízeních  2. Popis zařízení  a) Výrobek : Elektrocentrála  b) Funkce : Výroba elektrické energie  c) Model d) Typ  e) Výrobní číslo  3. Výrobce  4. Zplnomocněný zástupce a osoba pověřená kompletní technické dokumentace  5. Odkaz na platné standardy  6. Směrnice pro hluk pro venkovní použití  a) Naměřený akustický výkon  b) Garantovaný akustický výkon  c) Parametr hluku  d) Způsob posouzení shody  e) Notifikovaná osoba  7. Podepsáno v 8. Datum</p>	<p><b>Latviešu (Latvian)</b>  EK atbilstības deklarācija  1. "2 ar savu parakstu zem šī dokumenta, autorizētiā pārstaģva vārdā, paziņo, ka zemāk aprakstītais maģina, atbilst visām zemāk norādīto direktīvu sadaģam:  * Direktīva 2006/42/EK par maģiņam  * Direktīva 2014/30/ES attiecībā uz elektromagnētisko savietojamību  * Direktīva 2000/14/EK - 2005/88/EK par trokģņa emisiju vidi  * Direktīva 2011/65/ES - (ES) 2015/863 par daģu bīstamu vielu izmantoģšas ierobeģoģšanu elektriskās un elektroniskās iekārtās  2. Iekārtas apraksts  a) Produkts : Ģeneratora iekārtā  b) Funkcija : elektriskās strāvas raģošana  c) Modeģis d) Tģps  e) Sērijas numurs  3. Raģotāģis  4. Autorizētais pārstaģvis, kas spēj sastādģt tehniko dokumentāģiju  5. Atsauce uz piemērotāģim standartiem  6. Ārģjo trokģņu Direktīva  a) Izmģrtā trokģņa lģlums  b) Pielaujams trokģņa lģlums  c) Trokģņa parametrs  d) Atbilstības vģrtģģņa procedģra  e) Informētāģ iestāde  7. Vieta 8. Datums</p>
<p><b>Slovenčina (Slovak)</b>  ES vyhlásenie o zhode  1. Dolupodpísaný, "2, ako autorizovaný zástupca výrobcu, týmto vyhlasuje, že uvedený strojovej v zhode s nasledovnými smernicami:  * Smernica 2006/42/ES (Strojné zariadenia)  * Smernica 2014/30/UE (Elektromagnetická kompatibilita)  * Smernica 2000/14/ES - 2005/88/ES (Emisie hluku)  * Rady 2011/65/UE - (EU) 2015/863 o omezení používania určitých nebezpečných látok v elektrických a elektronických zariadeniach  2. Popis stroja  a) Produkt : Elektrocentrála  b) Funkcia : Výroba elektrického napätia  c) Model d) Typ  e) Výrobné číslo  3. Výrobca  4. Autorizovaný zástupca schopný zostaviť technickú dokumentáciu  5. Referencia na použité normy  6. Smernica pre emisie hluku vo voľnom priestranstve  a) Nameraná hladina akustického výkonu  b) Zaručená hladina akustického výkonu  c) Rozmer  d) Procedúra posudzovania zhody  e) Notifikovaná osoba  7. Miesto 8. Dátum</p>	<p><b>Eesti (Estonian)</b>  EÜ vastavusdeklaratsioon  1. Käesolevaga kinnitab allakirjutanu, "2, volitatud esindaja nimel, et allpool kirjeldatud masina vastab kõikidele alljärgnevatel direktiivide sätetel:  * Masinate direktiiv 2006/42/EÜ  * Elektromagnetilise ühilduvuse direktiiv 2014/30/EL  * Valismürade direktiiv 2000/14/UE - 2005/88/UE  * Direktiiv 2011/65/EL - (EL) 2015/863 teatavate ohtlike ainetega kasutamise piiramise kohta elektrij- ja elektroonikaseadmetes  2. Seadmete kirjeldus  a) Toode : Generator  b) Funktsioon : elektrenergia tootmine  c) Mudel d) Tüüp  e) Seerianumber  3. Tootja  4. Volitatud esindaja, kes on pädev täita tehnilist dokumentatsiooni  5. Viide kohaldatav standarditele  6. Valismüra direktiiv  a) Mõeldud helivõimsuse tase  b) Lubatud helivõimsuse tase  c) Müra parameeter  d) Vestavushindamismenetlus  e) Teavitatud asutus  7. Koht 8. Kuupäev</p>	<p><b>Slovensčina (Slovenian)</b>  ES izjava o skladnosti  1. Spodaj podpisani, "2, ki je pooblaščen oseba in v imenu proizvajalca izjavlja, da spodaj opisana stroj ustreza vsem navedenim direktivam:  * Direktiva 2006/42/ES o strojih  * Direktiva 2014/30/EU o elektromagnetni združljivosti  * Direktiva 2000/14/ES - 2005/88/ES o hrupnosti  * Direktiva 2011/65/UE - (EU) 2015/863 o omejevanju uporabe nekaterih nevarnih snovi v električni in elektronski opremi  2. Opis naprave  a) Proizvod : Agregat za proizvodnjo el. energije  b) Funkcija : proizvodnja električne energije  c) Model  d) Tip  e) Serijska številka  3. Proizvajalec  4. Pooblaščen predstavnik ki lahko predloži tehnično dokumentacijo  5. Sklic na uporabljene standarde  6. Direktiva o hrupnosti  a) Izmerjena zvočna moč  b) Garantirana zvočna moč  c) Parameter  d) Postopek  e) Postopek opravi  7. Kraj 8. Datum</p>



<p><b>Lietuvių kalba (Lithuanian)</b>  <b>EB atitikties deklaracija</b>  1. Įgaliotojo atstovo vardu pasirašęs *2 patvirtina, kad žemiau aprašyta mašina atitinka visas išvardintų direktyvų nuostatas:  * Mechanizmų direktyva 2006/42/EB  * Elektromagnetinio suderinamumo direktyva 2014/30/ES  * Triukšmo lauke direktyva 2000/14/EB - 2005/88/EB  * Direktyva 2011/65/ES - (ES) 2015/863 dėl tam tikrų pavojingų medžiagų naudojimo elektros ir elektroninėje įrangoje apibrėžimo  2. Prilatoles aprašymas  a) Gaminyso : Generatorius  b) Funkcija : elektros energijos gaminimas  c) Modelis d) Tipas  e) Serijos numeris  3. Gamintojas  4. Įgaliotasis atstovas ir galintis sudaryti techninę dokumentaciją  5. Nuoroda į taikytus standartus  6. Triukšmo lauke direktyva  a) Išmatuotas garso galingumo lygis  b) Garantuojamas garso galingumo lygis  c) Triukšmo parametras  d) Tipas  e) Registruota įstaiga  7. Vieta  8. Data</p>	<p><b>Български (Bulgarian)</b>  <b>ЕО декларация за съответствие</b>  1. Делуподписаният *2, от името на изпълномощния представител, с настоящото декларирам, че машините, описани по-долу, отговарят на всички съответни разпоредби на:  * Директива 2006/42/ЕО относно машините  * Директива 2014/30/ЕС относно електромагнитната съвместимост  * Директива 2000/14/ЕО - 2005/88/ЕО относно шумовите емисии на съоръжения, предназначени за употреба извън сградите  * Директива 2011/65/ЕС - (ЕС) 2015/863 година относно ограничението за употребата на определени опасни вещества в електрическото и електронното оборудване  2. Описание на машините  a) Продукт : Генераторен комплект  b) Функция : производство на електроенергия  c) Модел d) Тип  e) Серийн номер  3. Производител  4. Упълномощен представител и отговорник за съставяне на техническа документация  5. Препратка към приложените стандарти  6. Директива относно шумовите емисии на съоръжения, предназначени за употреба извън сградите  a) Измерена звукова мощност  b) Гарантирана звукова мощност  c) Параметърът шум  d) Процедурата за оценка на съответствието  e) Нотифициран орган  7. Място на изготвяне  8. Дата на изготвяне</p>	<p><b>Norsk (Norwegian)</b>  <b>EF- Samsvarserklæring</b>  1. Underleggende *2 på vegne av autorisert representant herved erklærer at maskinen beskrevet nedenfor innfrir relevant informasjon fra følgende forskrifter.  * Maskindirektivet 2006/42/EF  * Direktiv EMC: 2014/30/EU Elektromagnetisk kompatibilitet  * Direktiv om støy utendørs 2000/14/EF - 2005/88/EF  * Direktiv 2011/65/EU - (EU) 2015/863 om restriksjoner av bruk av visse farlige stoffer i elektrisk og elektronisk utstyr.  2. Beskrivelse av produkt  a) Produkt : Generator  b) Funksjon : Produsere strøm  c) Modell d) Type  e) Serienummer  3. Produsent  4. Autorisert representant og i stand til å utarbeide den tekniske dokumentasjonen  5. Henvielse til brukte standarder  6. Utendørs direktiv får støy  a) Målt støy  b) Maks støy  c) Konstant støy  d) Verdi vurderings prosedyre  e) Gjeldene kjøretøy/kropp/stamme/skrog  7. Sted  8. Dato</p>
<p><b>Türk (Turkish)</b>  <b>AT Uygunluk Beyanı</b>  1. Aşağıda imzası bulunan *2, yetkili temsilci adına, bu yazıyla birlikte aşağıdaki makine ile ilgili tüm hükümlülüklerin yerine getirildiğini beyan etmektedir:  * Makina Emniyet Yönetmeliği 2006/42/AT  * Elektromanyetik Uyumluluk Yönetmeliği 2014/30/AB  * Açık Alanda Kullanılan Teçhizat Tarafından Oluşturulan Çevredeki Gürültü Emisyonu ile İlgili Yönetmelik 2000/14/AT-2005/88/AT  * 2011/65/AB - (AB) 2015/863 elektrikli ve elektronik ekipmanlarda bazı tehlikeli maddelerin kullanımının yasaklanmasına ilişkin yönetmelik  2. Makinanın tanıtı  a) Ürün : Jeneratör grubu  b) İşlevi : Elektrik gücü üretimi  c) Model d) Tipi  e) Seri numarasi  3. İmalatçı  4. Teknik dosyayı hazırlamakla yetkili olan Toplulukta yetkili temsilci  5. Uygulanan standartlara istinaden  6. Açık alan gürültü Yönetmeliği  a) Ölçülen ses gücü  b) Garanti edilen ses gücü  c) Gürültü parametresi  d) Uygunluk değerlendirme prosedürü  e) Onaylanmış kuruluş  7. Beyanın yeri :  8. Beyanın tarihi :</p>	<p><b>Isleńska (Icelandic)</b>  <b>EB-Samræmisýfirlýsing</b>  1. Undirritaður *2 staðfestir hér með yfir hönd löggilttra aðila að upplýsingar um vélbúnað hér að neðan eru tæmandi hvað varðar alla tilheyrandi málaflokka, svo sem  *Leiðbeiningar fyrir vélbúnað 2006/42/EB  *Leiðbeiningar fyrir rafsegulsvið 2014/30/EU  *Leiðbeiningar um hávaðamengun 2000/14/EB-2005/88/EB  * Tilskipun 2011/65/EU - (EU) 2015/863 varðandi leiðbeiningar um notkun á hættulegum efnum í raf og rafenda búnaði  2. Lýsing á vélbúnaði  a) Ökutæki : Rafstöðvar  b) Virkni : Framleiðsla á rafmagni  c) Gerð d) Tegund  e) Serial númer  3. Framleiðandi  4. Löggildir aðilar og fær um að taka saman tækniskjölín  5. Tilvísun til viðeigandi staða  6. Leiðbeiningar um hávaðamengun  a) Mældur hávaða styrkur  b) Staðfestur hávaða styrkur  c) Hávaða breytileiki  d) Staðfesting á gæðastöðlum  e) Merkingar  7. Gert hjá  8. Dagsetning</p>	<p><b>Hrvatski (Croatian)</b>  <b>EK Izjava o sukladnosti</b>  1. Potpisani, *2, u ime ovlaštenog predstavnika, ovime izjavljuju da strojevi navedeni u nastavku ispunjavaju sve važne odredbe:  * Propisa za strojeve 2006/42/EK  * Propisa o elektromagnetskoj kompatibilnosti 2014/30/EU  * Propisa o buci na otvorenome 2000/14/EK-2005/88/EK  * Direktiva 2011/65/EU - (EU) 2015/863 o ograničenju određenih opasnih supstanci u elektricnoj i elektronskoj opremi.  2. Opis strojeva  a) Proizvod : Agregat  b) Funkcionalnost : proizvod električnu energiju  c) Model d) Tip  e) Serijski broj  3. Proizvođač  4. Ovlašteni predstavnik i osoba za sastavljanje tehničke dokumentacije  5. Referencija na primijenjene standarde  6. Propis o buci na otvorenome  a) Izmjerenja jačina zvuka  b) Zajamčena jačina zvuka  c) Parametar buke  d) Postupak za ocjenu sukladnosti  e) Obavješteno tijelo  7. U  8. Datum</p>

# HONDA

EU30is  
3QZS9603  
00X3Q-ZS9-6030



© Honda Motor Co., Ltd. 2021  
英 仏 独 西 伊 Y FM  
Printed in Japan