

## INTRODUCTION

Thank you for purchasing a Honda engine! We want to help you to get the best results from your new engine and to operate it safely. This manual contains information on how to do that; please read it carefully before operating the engine. If a problem should arise, or if you have any questions about your engine, consult an authorized Honda servicing dealer.

All information in this publication is based on the latest product information available at the time of printing. Honda Motor Co., Ltd. reserves the right to make changes at any time without notice and without incurring any obligation. No part of this publication may be reproduced without written permission.


This manual should be considered a permanent part of the engine and should remain with the engine if resold.

Review the instructions provided with the equipment powered by this engine for any additional information regarding engine startup, shutdown, operation, adjustments or any special maintenance instructions.

United States, Puerto Rico, and U.S. Virgin Islands:  
We suggest you read the warranty policy to fully understand its coverage and your responsibilities of ownership. The warranty policy is a separate document that should have been given to you by your dealer.

## SAFETY MESSAGES

Your safety and the safety of others are very important. We have provided important safety messages in this manual and on the engine. Please read these messages carefully.

A safety message alerts you to potential hazards that could hurt you or others. Each safety message is preceded by a safety alert symbol  and one of three words, DANGER, WARNING, or CAUTION.

These signal words mean:

 **DANGER**

You **WILL** be **KILLED** or **SERIOUSLY HURT** if you don't follow instructions.

 **WARNING**

You **CAN** be **KILLED** or **SERIOUSLY HURT** if you don't follow instructions.

 **CAUTION**

You **CAN** be **HURT** if you don't follow instructions.

Each message tells you what the hazard is, what can happen, and what you can do to avoid or reduce injury.

## DAMAGE PREVENTION MESSAGES

You will also see other important messages that are preceded by the word **NOTICE**.

This word means:

**NOTICE**

Your engine, other property, or the environment can be damaged if you do not follow instructions.

This entire book is filled with important safety information – please read it carefully.

©2021 Honda Motor Co., Ltd. –All Rights Reserved

37ZDD803  
00X37-ZDD-8030

GX100RT (RAMMER)

# HONDA

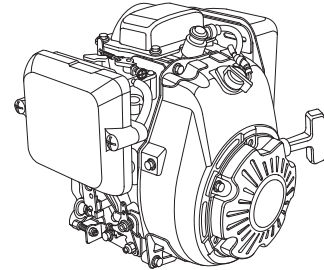
## OWNER'S MANUAL

## MANUEL DE L'UTILISATEUR

## MANUAL DEL PROPIETARIO

### GX100

FOR RAMMER-TYPE COMPACTORS



## WARNING:



The engine exhaust from this product contains chemicals known to the State of California to cause cancer, birth defects or other reproductive harm.

## CONTENTS

|                                    |    |                                                                                               |    |
|------------------------------------|----|-----------------------------------------------------------------------------------------------|----|
| INTRODUCTION.....                  | 1  | TAKING CARE OF UNEXPECTED PROBLEMS.....                                                       | 12 |
| SAFETY MESSAGES.....               | 1  | TECHNICAL INFORMATION.....                                                                    | 13 |
| SAFETY INFORMATION.....            | 2  | Serial Number Location.....                                                                   | 13 |
| SAFETY LABEL LOCATION.....         | 2  | Carburetor Modifications for High Altitude Operation.....                                     | 13 |
| COMPONENT & CONTROL LOCATIONS..... | 3  | EMISSION CONTROL SYSTEM INFORMATION.....                                                      | 13 |
| FEATURES.....                      | 3  | Source of Emissions.....                                                                      | 13 |
| BEFORE OPERATION CHECKS.....       | 3  | The U.S. and California Clean Air Acts, and Environment and Climate Change Canada (ECCC)..... | 13 |
| OPERATION.....                     | 4  | Tampering and Altering.....                                                                   | 13 |
| SAFE OPERATING PRECAUTIONS.....    | 4  | Problems That May Affect Emissions.....                                                       | 13 |
| STARTING THE ENGINE.....           | 4  | Replacement Parts.....                                                                        | 13 |
| SETTING ENGINE SPEED.....          | 5  | Maintenance.....                                                                              | 14 |
| STOPPING THE ENGINE.....           | 5  | Air Index.....                                                                                | 14 |
| SERVICING YOUR ENGINE.....         | 6  | EMISSION CONTROL SYSTEM WARRANTY.....                                                         | 14 |
| THE IMPORTANCE OF MAINTENANCE..... | 6  | Warranty Coverage.....                                                                        | 14 |
| MAINTENANCE SAFETY.....            | 6  | Specifications.....                                                                           | 14 |
| SAFETY PRECAUTIONS.....            | 6  | Tuneup Specifications.....                                                                    | 15 |
| MAINTENANCE SCHEDULE.....          | 6  | Quick Reference Information... ..                                                             | 15 |
| REFUELING.....                     | 7  | Wiring Diagram.....                                                                           | 15 |
| ENGINE OIL.....                    | 7  | CONSUMER INFORMATION.....                                                                     | 16 |
| Recommended Oil.....               | 7  | DISTRIBUTOR/DEALER LOCATOR INFORMATION.....                                                   | 16 |
| Oil Level Check.....               | 7  | CUSTOMER SERVICE INFORMATION.....                                                             | 16 |
| Oil Change.....                    | 8  |                                                                                               |    |
| AIR CLEANER.....                   | 8  |                                                                                               |    |
| Inspection.....                    | 8  |                                                                                               |    |
| Cleaning.....                      | 9  |                                                                                               |    |
| SPARK PLUG.....                    | 9  |                                                                                               |    |
| SPARK ARRESTER.....                | 10 |                                                                                               |    |
| HELPFUL TIPS & SUGGESTIONS... ..   | 11 |                                                                                               |    |
| STORING YOUR ENGINE.....           | 11 |                                                                                               |    |
| TRANSPORTING.....                  | 12 |                                                                                               |    |

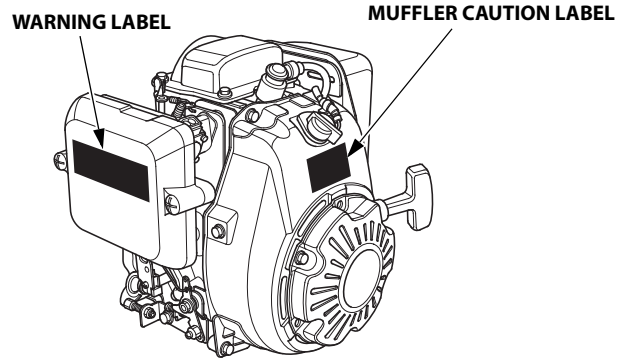
## SAFETY INFORMATION

- Understand the operation of all controls and learn how to stop the engine quickly in case of emergency. Make sure the operator receives adequate instruction before operating the equipment.
- Do not allow children to operate the engine. Keep children and pets away from the area of operation.
- Your engine's exhaust contains poisonous carbon monoxide. Do not run the engine without adequate ventilation, and never run the engine indoors.
- The engine and exhaust become very hot during operation. Keep the engine at least 1 meter (3 feet) away from buildings and other equipment during operation. Keep flammable materials away, and do not place anything on the engine while it is running.

## SAFETY LABEL LOCATION

This label warns you of potential hazards that can cause serious injury. Read it carefully.

If the label comes off or becomes hard to read, contact your servicing dealer for replacement.



| WARNING LABEL                                                                                                                                                                                                                                                                                                                                 | For EU                | Except EU             |
|-----------------------------------------------------------------------------------------------------------------------------------------------------------------------------------------------------------------------------------------------------------------------------------------------------------------------------------------------|-----------------------|-----------------------|
| <p>Honda Motor Co., Ltd.</p>                                                                                                                                                                                                                                                                                                                  | attached to product   | supplied with product |
| <p><b>WARNING</b><br/>Gasoline is highly flammable and explosive. Turn engine off and let cool before refueling.<br/>The engine emits toxic carbon monoxide. Do not run in an enclosed area.<br/>Read Owner's Manual before operation.<br/>Honda Motor Co., Ltd.</p>                                                                          | supplied with product | attached to product   |
| <p><b>ATTENTION</b><br/>L'essence est très inflammable et explosive. Arrêter le moteur et le laisser refroidir avant de faire le plein d'essence.<br/>Le moteur produit les vapeurs nocives de monoxyde de carbone. Ne pas utiliser dans un local clos.<br/>Lire le manuel de propriétaire avant l'utilisation.<br/>Honda Motor Co., Ltd.</p> | supplied with product | supplied with product |

| MUFFLER CAUTION LABEL                                                                                    | For EU                | Except EU             |
|----------------------------------------------------------------------------------------------------------|-----------------------|-----------------------|
|                                                                                                          | not included          | supplied with product |
| <p><b>CAUTION</b><br/>HOT MUFFLER CAN BURN YOU. Stay away if engine has been running.</p>                | supplied with product | attached to product   |
| <p><b>ATTENTION</b><br/>L'ÉCHAPPEMENT CHAUD PEUT VOUS BRULER. S'ÉLOIGNER QUAND LE MOTEUR FONCTIONNE.</p> | supplied with product | supplied with product |



Gasoline is highly flammable and explosive. Stop the engine and let cool before refueling.



The engine emits toxic poisonous carbon monoxide gas. Do not run in an enclosed area.

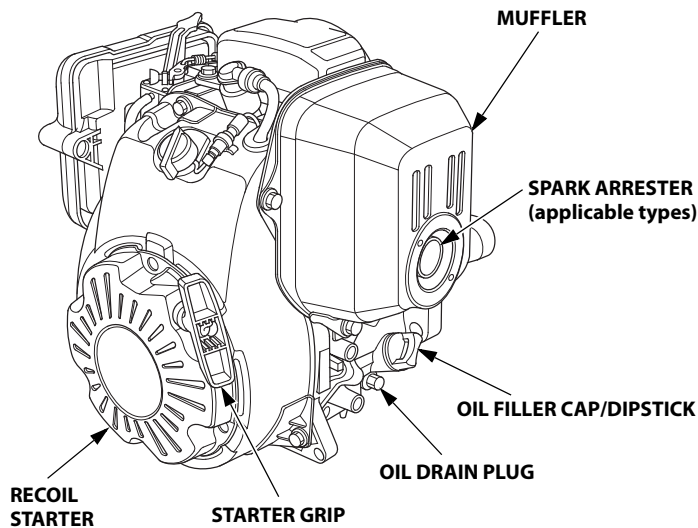


Read Owner's Manual before operation.



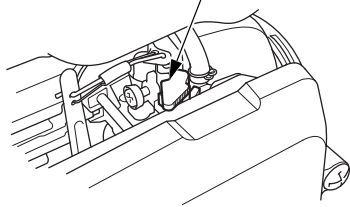
Hot muffler can burn you. Stay away if engine has been running.

## COMPONENT & CONTROL LOCATIONS



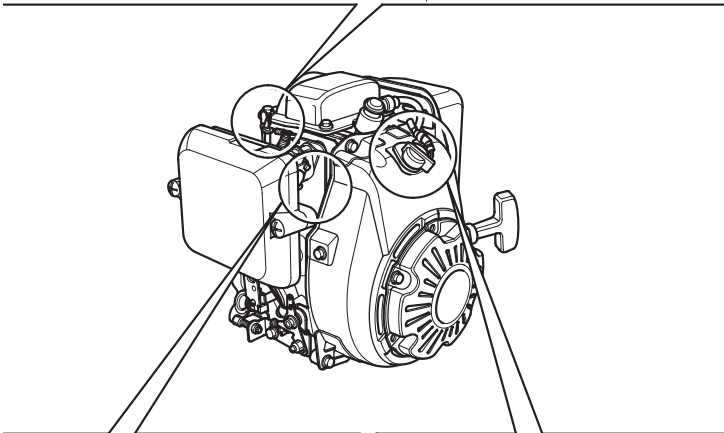
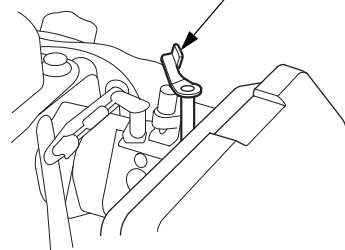
(Float type)

CHOKE LEVER



(Diaphragm type)

CHOKE LEVER



PRIMING BULB (applicable types)

ENGINE SWITCH (applicable types)

## FEATURES

### Oil Alert® System (applicable types)

“Oil Alert is a registered trademark in the United States”

The Oil Alert system is designed to prevent engine damage caused by an insufficient amount of oil in the crankcase. Before the oil level in the crankcase can fall below a safe limit, the Oil Alert system will prevent the engine from starting.

If the engine will not start, check the engine oil level (see page 7) before troubleshooting in other areas.

## BEFORE OPERATION CHECKS

### IS YOUR ENGINE READY TO GO?

For your safety, to ensure compliance with environmental regulations, and to maximize the service life of your equipment, it is very important to take a few moments before you operate the engine to check its condition. Be sure to take care of any problem you find, or have your servicing dealer correct it, before you operate the engine.

### ⚠ WARNING

Failure to properly maintain this engine, or failing to correct a problem before operation, could result in a significant malfunction.

Some malfunctions can cause seriously injuries or death.

Always perform a pre-operation inspection before each operation, and correct any problem.

Before beginning your pre-operation checks, be sure the engine is level and the engine switch is in the OFF position.

Always check the following items before you start the engine:

### Check the General Condition of the Engine

1. Look around and underneath the engine for signs of oil or gasoline leaks.
2. Remove any excessive dirt or debris, especially around the muffler and recoil starter.
3. Look for signs of damage.
4. Check that all shields and covers are in place, and all nuts, bolts, and screws are tightened.

### Check the Engine

1. Check the fuel level. Starting with a full tank will help to eliminate or reduce operating interruptions for refueling.
2. Check the engine oil level (see page 7). Running the engine with a low oil level can cause engine damage.
3. Check the air filter element (see page 8). A dirty air filter element will restrict air flow to the carburetor, reducing engine performance.
4. Check the equipment powered by this engine.

Review the instructions provided with the equipment powered by this engine for any precautions and procedures that should be followed before engine startup.

# OPERATION

## SAFE OPERATING PRECAUTIONS

Before operating the engine for the first time, please review the *SAFETY INFORMATION* section on page 2 and the *BEFORE OPERATION CHECKS* on page 3.

### Carbon Monoxide Hazards

For your safety, do not operate the engine in an enclosed area such as a garage. Your engine's exhaust contains poisonous carbon monoxide gas that can collect rapidly in an enclosed area and cause illness or death.

### ⚠ WARNING

Exhaust contains poisonous carbon monoxide gas that can build up to dangerous levels in closed areas.

Breathing carbon monoxide can cause unconsciousness or death.

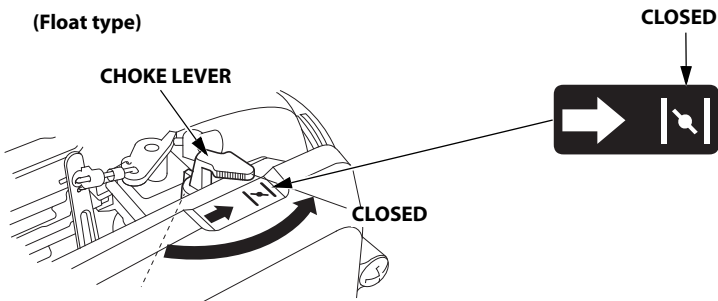
Never run the engine in a closed, or even partly closed area.

Review the instructions provided with the equipment powered by this engine for any safety precautions that should be observed with engine startup, shutdown or operation.

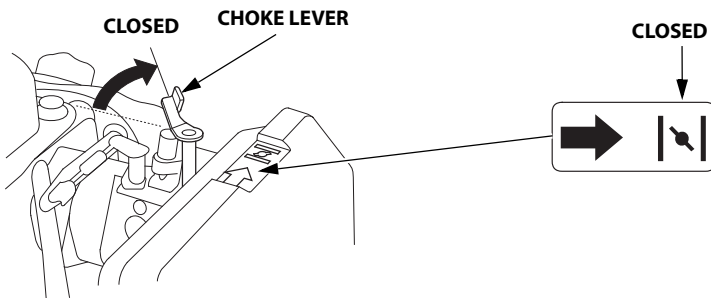
## STARTING THE ENGINE

1. If the fuel tank is equipped with a valve, be sure the fuel valve and fuel filler cap vent are in the OPEN or ON position before attempting to start the engine. For specific instructions on fuel valve and fuel filler cap vent operation, refer to the instructions provided with the equipment powered by this engine.
2. To start a cold engine, move the choke lever to the CLOSED position.

(Float type)

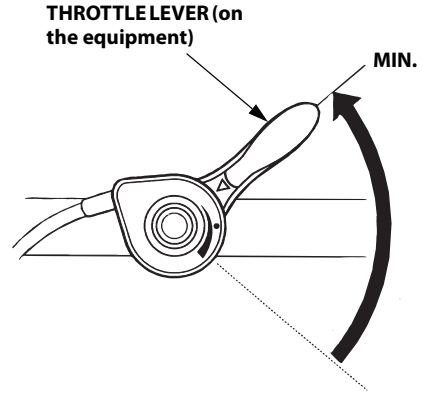


(Diaphragm type)

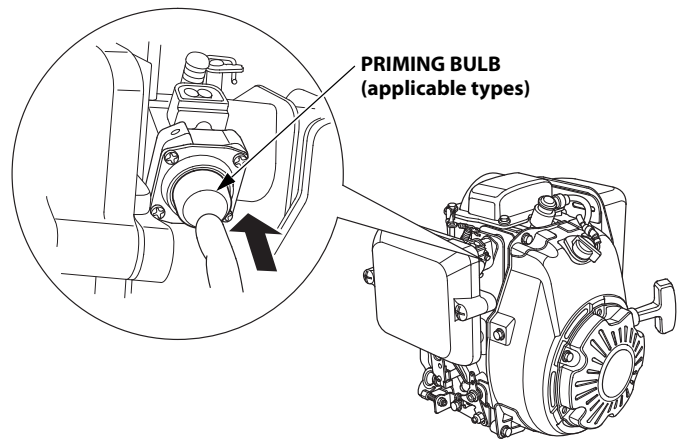


To restart a warm engine, leave the choke lever in the OPEN position.

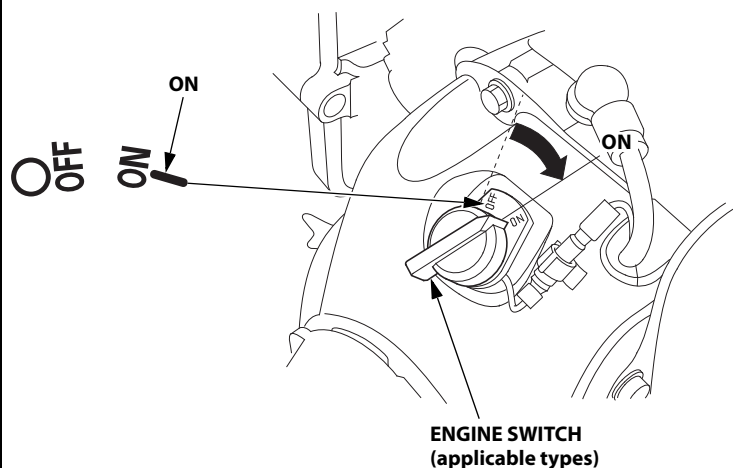
3. Move the throttle lever to the MIN. position. The throttle lever is mounted on the equipment powered by this engine. Refer to the instructions provided with that equipment for information about your specific throttle control.



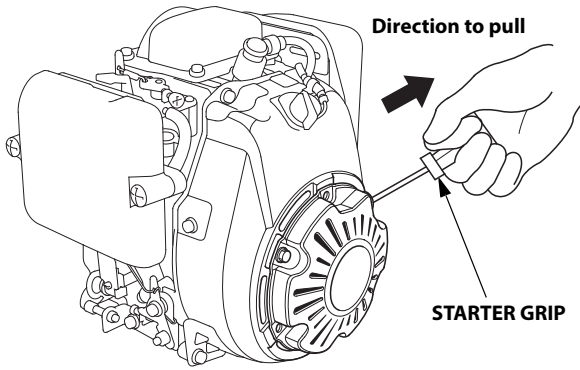
4. Press the priming bulb (applicable types) repeatedly.



5. Turn the engine switch (applicable types) to the ON position.



- Pull the starter grip lightly until you feel resistance, then pull briskly in the direction of the arrow as shown below. Return the starter grip gently.

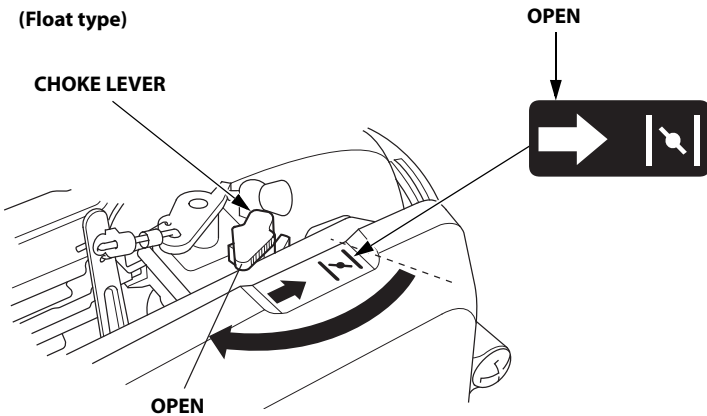


**NOTICE**

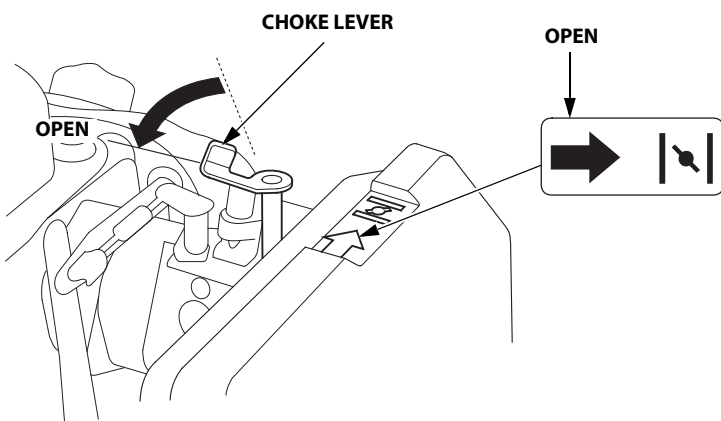
Do not allow the starter grip to snap back against the engine. Return it gently to prevent damage to the starter.

- If the choke lever was moved to the CLOSED position to start the engine, gradually move it to the OPEN position as the engine warms up.

(Float type)



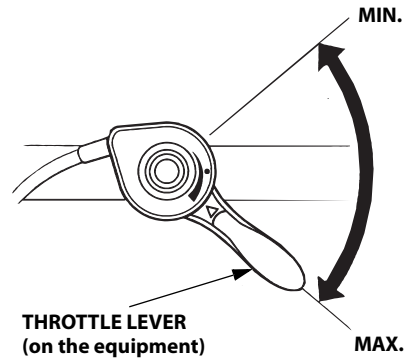
(Diaphragm type)



**SETTING ENGINE SPEED**

Position the throttle lever for the desired engine speed.

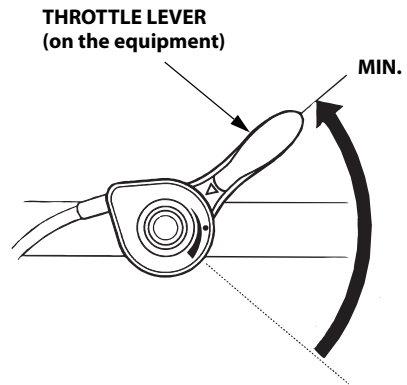
For engine speed recommendations, refer to the instructions provided with the equipment powered by this engine.



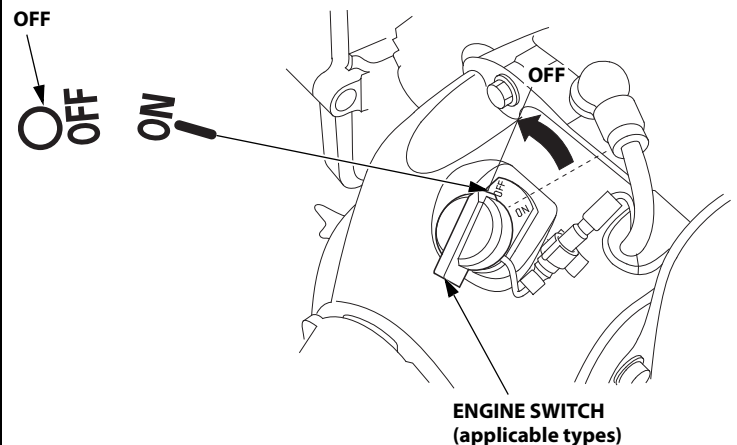
**STOPPING THE ENGINE**

To stop the engine in an emergency, simply turn the engine switch to the OFF position. Under normal conditions, use the following procedure. Refer to the instructions provided by the equipment manufacturer.

- Move the throttle lever to the MIN. position.



- Turn the engine switch (applicable types) to the OFF position.



- If the fuel tank is equipped with a fuel valve or a fuel filler cap with a vent, turn them to the CLOSED or OFF position.

## SERVICING YOUR ENGINE

### THE IMPORTANCE OF MAINTENANCE

Good maintenance is essential for safe, economical and trouble-free operation. It will also help reduce pollution.

#### WARNING

Failure to properly maintain this engine, or failing to correct a problem before operation, could result in a significant malfunction.

Some malfunctions can cause seriously injuries or death.

Always follow the inspection and maintenance recommendations and schedules in this owner's manual.

To help you properly care for your engine, the following pages include a maintenance schedule, routine inspection procedures, and simple maintenance procedures using basic hand tools. Other service tasks that are more difficult, or require special tools, are best handled by professionals and are normally performed by a Honda technician or other qualified mechanic.

The maintenance schedule applies to normal operating conditions. If you operate your engine under severe conditions, such as sustained high-load or high-temperature operation, or use in unusually wet or dusty conditions, consult your Honda servicing dealer for recommendations applicable to your individual needs and use.

**Maintenance, replacement, or repair of the emission control devices and systems may be performed by any engine repair establishment or individual, using parts that are "certified" to EPA standards.**

### MAINTENANCE SAFETY

Some of the most important safety precautions follow. However, we cannot warn you of every conceivable hazard that can arise in performing maintenance. Only you can decide whether or not you should perform a given task.

#### WARNING

Improper maintenance can cause an unsafe condition.

Failure to properly follow maintenance instructions and precautions can cause serious injuries or death.

Always follow the procedures and precautions in this owner's manual.

### SAFETY PRECAUTIONS

- Make sure the engine is off before you begin any maintenance or repairs. To prevent unintentional startup, disconnect the spark plug cap. This will eliminate several potential hazards:
  - **Carbon monoxide poisoning from engine exhaust.**  
Operate outside, away from open windows or doors.
  - **Burns from hot parts.**  
Let the engine and exhaust system cool before touching.
  - **Injury from moving parts.**  
Do not run the engine unless instructed to do so.
- Read the instructions before you begin, and make sure you have the tools and skills required.
- To reduce the possibility of fire or explosion, be careful when working around gasoline. Use only a non-flammable solvent, not gasoline, to clean parts. Keep cigarettes, sparks and flames away from all fuel related parts.

Remember that an authorized Honda servicing dealer knows your engine best and is fully equipped to maintain and repair it.

To ensure the best quality and reliability, use only new Honda Genuine parts or their equivalents for repair and replacement.

## MAINTENANCE SCHEDULE

| REGULAR SERVICE PERIOD (3)<br>Perform at every indicated month or operating hour interval, whichever comes first. |              | Each use                                 | First month or 20 hrs. | Every 3 months or 50 hrs. | Every 6 months or 100 hrs. | Every year or 200 hrs. | Refer to page |
|-------------------------------------------------------------------------------------------------------------------|--------------|------------------------------------------|------------------------|---------------------------|----------------------------|------------------------|---------------|
| ITEM                                                                                                              |              |                                          |                        |                           |                            |                        |               |
| Engine oil                                                                                                        | Check level  | o                                        |                        |                           |                            |                        | 7             |
|                                                                                                                   | Change       |                                          | o                      |                           | o                          |                        | 8             |
| Air cleaner                                                                                                       | Check        | o                                        |                        |                           |                            |                        | 8             |
|                                                                                                                   | Clean        |                                          |                        | o (1)                     |                            |                        | 9             |
|                                                                                                                   | Replace      |                                          |                        |                           |                            | o (1)                  |               |
| Spark plug                                                                                                        | Check-adjust |                                          |                        |                           | o                          |                        | 9             |
|                                                                                                                   | Replace      |                                          |                        |                           |                            | o                      |               |
| Timing belt                                                                                                       | Check        | After every 300 hrs. (2) (4)             |                        |                           |                            |                        | Shop manual   |
| Spark arrester (applicable types)                                                                                 | Clean        |                                          |                        |                           | o (5)                      |                        | 10            |
| Idle speed                                                                                                        | Check-adjust |                                          |                        |                           |                            | o (2)                  | Shop manual   |
| Valve clearance                                                                                                   | Check-adjust |                                          |                        |                           |                            | o (2)                  | Shop manual   |
| Combustion chamber                                                                                                | Clean        | After every 300 hrs. (2)                 |                        |                           |                            |                        | Shop manual   |
| Fuel tank & filter                                                                                                | Clean        |                                          |                        |                           | o (2)                      |                        | Shop manual   |
| Fuel tube                                                                                                         | Check        | Every 2 years (Replace if necessary) (2) |                        |                           |                            |                        | Shop manual   |

- (1) Service more frequently when used in dusty areas.
- (2) These items should be serviced by your servicing dealer, unless you have the proper tools and are mechanically proficient. Refer to the Honda shop manual for service procedures.
- (3) For commercial use, log hours of operation to determine proper maintenance intervals.
- (4) Check that there is no crack and abnormal wear-out in the belt, and replace if it is abnormal.
- (5) In Europe and other countries where the machinery directive 2006/42/EC is enforced, this cleaning should be done by your servicing dealer.

Failure to follow this maintenance schedule could result in non-warrantable failures.



## REFUELING

### Recommended Fuel

|                   |                                     |
|-------------------|-------------------------------------|
| Unleaded gasoline |                                     |
| U.S.              | Pump octane rating 86 or higher     |
| Except U.S.       | Research octane rating 91 or higher |
|                   | Pump octane rating 86 or higher     |

This engine is certified to operate on unleaded gasoline with a pump octane rating of 86 or higher (a research octane rating of 91 or higher). Refuel in a well ventilated area with the engine stopped. If the engine has been running, allow it to cool first. Never refuel the engine inside a building where gasoline fumes may reach flames or sparks. You may use unleaded gasoline containing no more than 10% ethanol (E10) or 5% methanol by volume. In addition, methanol must contain cosolvents and corrosion inhibitors. Use of fuels with content of ethanol or methanol greater than shown above may cause starting and/or performance problems. It may also damage metal, rubber, and plastic parts of the fuel system. Engine damage or performance problems that result from using a fuel with percentages of ethanol or methanol greater than shown above are not covered under the Warranty.

If your equipment will be used on an infrequent or intermittent basis, please refer to the "Fuel" section of the "STORING YOUR ENGINE" chapter (see page 11) for additional information regarding fuel deterioration.

### ⚠ WARNING

Gasoline is highly flammable and explosive.

You can be burned or seriously injured when handling fuel.

- Stop the engine and let it cool before handling fuel.
- Keep heat, sparks, and flame away.
- Handle fuel only outdoors.
- Keep away from your vehicle.
- Wipe up spills immediately.

### NOTICE

Fuel can damage paint and some types of plastic. Be careful not to spill fuel when filling your fuel tank. Damage caused by spilled fuel is not covered under the Distributor's Limited Warranty.

Never use gasoline that is stale, contaminated, or mixed with oil. Avoid getting dirt or water in the fuel tank.

Refuel carefully to avoid spilling fuel. Move at least 1 meter (3 feet) away from the fueling source and site before starting the engine.

Keep gasoline away from appliance pilot lights, barbecues, electric appliances, power tools, etc.

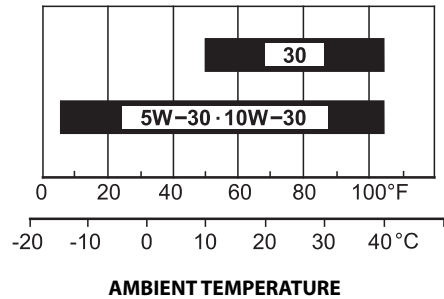
Spilled fuel is not only a fire hazard, it causes environmental damage. Wipe up spills immediately.

## ENGINE OIL

Oil is a major factor affecting performance and service life. Use 4-stroke automotive detergent oil.

### Recommended Oil

Use 4-stroke motor oil that meets or exceeds the requirements for API service category SJ or later (or equivalent). Always check the API service label on the oil container to be sure it includes the letters SJ or later (or equivalent).



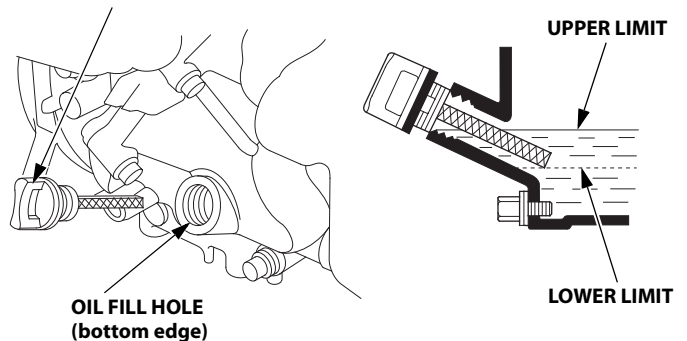
SAE 10W-30 is recommended for general use. Other viscosities shown in the chart may be used when the average temperature in your area is within the indicated range.

### Oil Level Check

Check the engine oil level with the engine stopped and in a level position.

1. Remove the oil filler cap/dipstick and wipe it clean.
2. Insert the oil filler cap/dipstick into the oil filler neck as shown, but do not screw it in, then remove it to check the oil level.
3. If the oil level is near or below the lower limit mark on the dipstick, fill with the recommended oil to the upper limit mark (bottom edge of the oil fill hole). Do not overfill.
4. Screw in the oil filler cap/dipstick securely.

### OIL FILLER CAP/DIPSTICK



### NOTICE

Running the engine with a low oil level can cause engine damage. This type of damage is not covered by the Distributor's Limited Warranty.

## Oil Change

Drain the used oil when the engine is warm. Warm oil drains quickly and completely.

1. Place a suitable container below the engine to catch the used oil, then remove the oil filler cap/dipstick, oil drain plug and sealing washer.
2. Allow the used oil to drain completely, then reinstall the oil drain plug and a new sealing washer, and tighten the oil drain plug securely.

**TORQUE:** 18 N·m (13 lbf·ft, 1.8 kgf·m)

Please dispose of used motor oil in a manner that is compatible with the environment. We suggest you take used oil in a sealed container to your local recycling center or service station for reclamation. Do not throw it in the trash, pour it on the ground, or pour it down a drain.

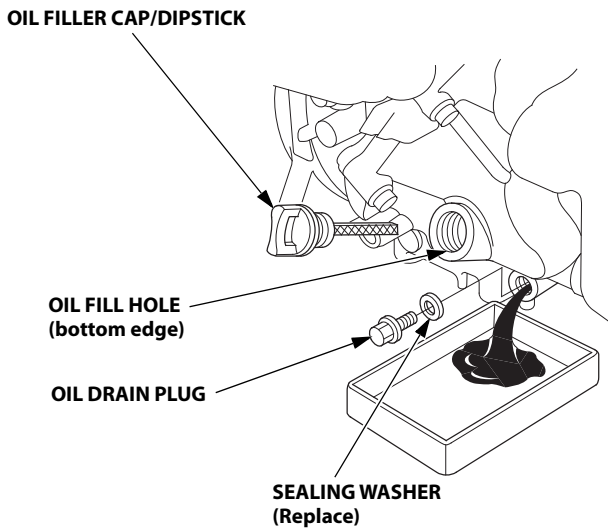
3. With the engine in a level position, fill with the recommended oil (see page 7) to the upper limit mark (bottom edge of the oil fill hole).

Engine oil capacity: 0.28 L (9 oz, 0.25 Imp qt)

### NOTICE

*Running the engine with a low oil level can cause engine damage. This type of damage is not covered by the Distributor's Limited Warranty.*

4. Screw in the oil filler cap/dipstick securely.



Wash your hands with soap and water after handling used oil.

## AIR CLEANER

A dirty air cleaner will restrict air flow to the carburetor, reducing engine performance. If you operate the engine in very dusty areas, clean the air filter more often than specified in the MAINTENANCE SCHEDULE.

### NOTICE

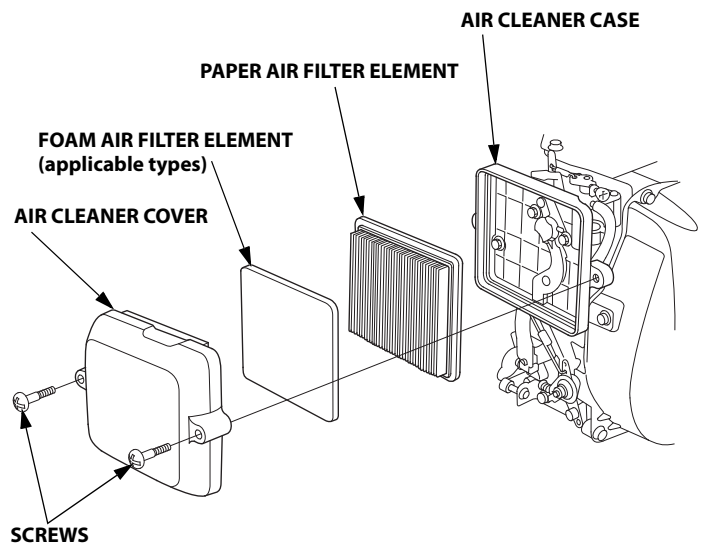
*Operating the engine without an air filter element, or with a damaged air filter element, will allow dirt to enter the engine, causing rapid engine wear. This type of damage is not covered by the Distributor's Limited Warranty.*

### Inspection

Remove the two screws and the air cleaner cover. Inspect the air filter elements. Clean or replace dirty air filter elements. Always replace damaged air filter elements.

Refer to page 9 for cleaning instructions.

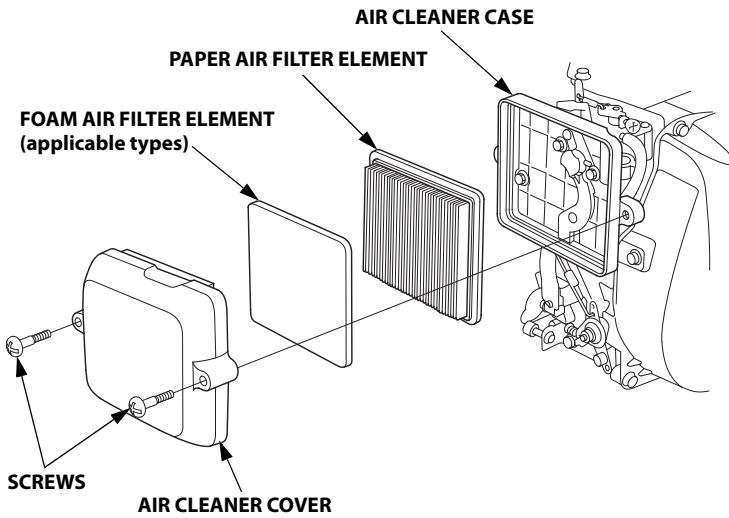
Reinstall the air filter elements and air cleaner cover.





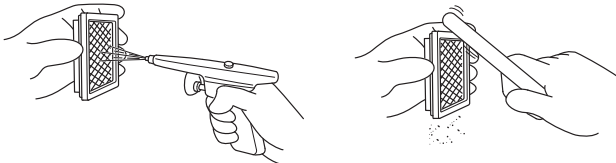
## Cleaning

1. Remove two screws from the air cleaner cover, and remove the cover.
2. Remove the foam air filter element from the cover.
3. Remove the paper air filter element from the air cleaner case.

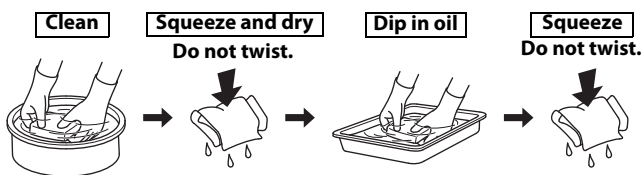


4. Inspect both air filter elements, and replace them if they are damaged. Always replace the paper air filter element at the scheduled interval (see page 6).
5. Clean the air filter elements if they are to be reused.

**Paper air filter element:** Tap the paper air filter element several times on a hard surface to remove dirt, or blow compressed air [not exceeding 207 kPa (2.1 kgf/cm<sup>2</sup>, 30 psi)] through the filter element from the air cleaner case side. Never try to brush off dirt; brushing will force dirt into the fibers. Replace the paper air filter element if it is excessively dirty.



**Foam air filter element:** Clean in warm soapy water, rinse, and allow to dry thoroughly. Or clean in non-flammable solvent and allow to dry. Do not put oil on the foam air filter element.



6. Wipe dirt from the inside of the air cleaner case and cover using a moist rag. Be careful to prevent dirt from entering the air duct that leads to the carburetor.
7. Place the foam air filter element to the air cleaner cover, then reinstall the paper air filter element and cover to the air cleaner case.
8. Install the air cleaner cover, and tighten the two screws securely.

## SPARK PLUG

**Recommended Spark Plugs:** CR5HSB (NGK)  
U16FSR-UB (DENSO)

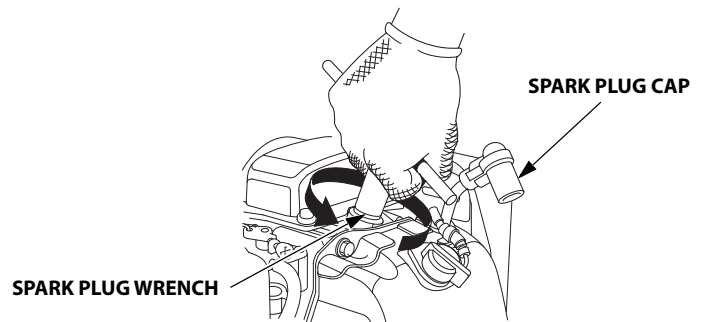
The recommended spark plug has the correct heat range for normal engine operating temperatures.

### NOTICE

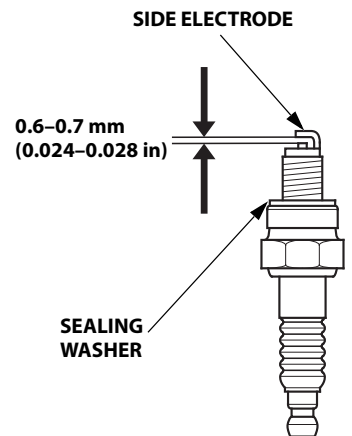
*An incorrect spark plug can cause engine damage.*

For good performance, the spark plug must be properly gapped and free of deposits.

1. Disconnect the spark plug cap, and remove any dirt from around the spark plug area.
2. Remove the spark plug with a 5/8-inch spark plug wrench.



3. Inspect the spark plug. Replace it if damaged or badly fouled, if the sealing washer is in poor condition, or if the electrode is worn.
4. Measure the spark plug electrode gap with a wire-type feeler gauge. Correct the gap, if necessary, by carefully bending the side electrode. The gap should be: 0.6–0.7 mm (0.024–0.028 in)



5. Install the spark plug carefully, by hand, to avoid cross-threading.
6. After the spark plug is seated, tighten with a 5/8-inch spark plug wrench to compress the sealing washer.
7. When installing a new spark plug, tighten 1/2 turn after the spark plug seats to compress the washer.
8. When reinstalling a used spark plug, tighten 1/8–1/4 turn after the spark plug seats to compress the washer.

**TORQUE:** 12 N·m (8.7 lbf·ft, 1.2 kgf·m)

### NOTICE

*A loose spark plug can overheat and damage the engine. Overtightening the spark plug can damage the threads in the cylinder head.*

9. Attach the spark plug cap to the spark plug.

## SPARK ARRESTER (applicable types)

In Europe and other countries where the machinery directive 2006/42/EC is enforced, this cleaning should be done by your servicing dealer.

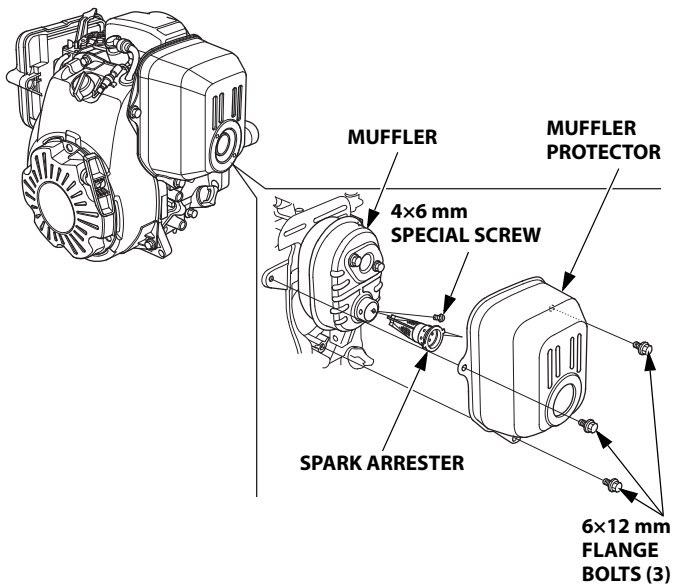
Your engine is not factory-equipped with a spark arrester. In some areas, it is illegal to operate an engine without a spark arrester. Check local laws and regulations. A spark arrester is available from authorized Honda servicing dealers.

The spark arrester must be serviced every 100 hours to keep it functioning as designed.

If the engine has been running, the muffler will be hot. Allow it to cool before servicing the spark arrester.

### Spark Arrester Removal

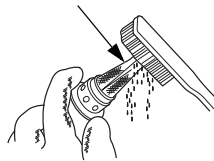
1. Remove the three 6 mm bolts from the muffler protector, and remove the muffler protector.
2. Remove the special screw from the spark arrester, and remove the spark arrester from the muffler.



### Spark Arrester Cleaning & Inspection

1. Use a brush to remove carbon deposits from the spark arrester screen. Be careful not to damage the screen. Replace the spark arrester if it has breaks or holes.
2. Install the spark arrester and muffler protector in the reverse order of disassembly.

SPARK ARRESTER SCREEN



## HELPFUL TIPS & SUGGESTIONS

### STORING YOUR ENGINE

#### Storage Preparation

Proper storage preparation is essential for keeping your engine trouble-free and looking good. The following steps will help to keep rust and corrosion from impairing your engine's function and appearance, and will make the engine easier to start when you use it again.

#### Cleaning

If the engine has been running, allow it to cool for at least half an hour before cleaning. Clean all exterior surfaces, touch up any damaged paint, and coat other areas that may rust with a light film of oil.

#### NOTICE

*Using a garden hose or pressure washing equipment can force water into the air cleaner or muffler opening. Water in the air cleaner will soak the air filter, and water that passes through the air filter or muffler can enter the cylinder, causing damage.*

#### Fuel

#### NOTICE

*Depending on the region where you operate your equipment, fuel formulations may deteriorate and oxidize rapidly. Fuel deterioration and oxidation can occur in as little as 30 days and may cause damage to the carburetor and/or fuel system. Please check with your servicing dealer for local storage recommendations.*

Gasoline will oxidize and deteriorate in storage. Deteriorated gasoline will cause hard starting, and it leaves gum deposits that clog the fuel system. If the gasoline in your engine deteriorates during storage, you may need to have the carburetor and other fuel system components serviced or replaced.

The length of time that gasoline can be left in your fuel tank and carburetor without causing functional problems will vary with such factors as gasoline blend, your storage temperatures, and whether the fuel tank is partially or completely filled. The air in a partially filled fuel tank promotes fuel deterioration. Very warm storage temperatures accelerate fuel deterioration. Fuel deterioration problems may occur within a few months, or even less if the gasoline was not fresh when you filled the fuel tank.

Fuel system damage or engine performance problems resulting from neglected storage preparation are not covered under the *Distributor's Limited Warranty*.

You can extend fuel storage life by adding a gasoline stabilizer that is formulated for that purpose, or you can avoid fuel deterioration problems by draining the fuel tank and carburetor.

#### Adding a Gasoline Stabilizer to Extend Fuel Storage Life

When adding a gasoline stabilizer, fill the fuel tank with fresh gasoline. If only partially filled, air in the tank will promote fuel deterioration during storage. If you keep a container of gasoline for refueling, be sure that it contains only fresh gasoline.

1. Add gasoline stabilizer following the manufacturer's instructions.
2. After adding a gasoline stabilizer, run the engine outdoors for 10 minutes to be sure that treated gasoline has replaced the untreated gasoline in the carburetor.
3. Stop the engine.

### Draining the Fuel Tank and Carburetor

#### ⚠ WARNING

Gasoline is highly flammable and explosive.

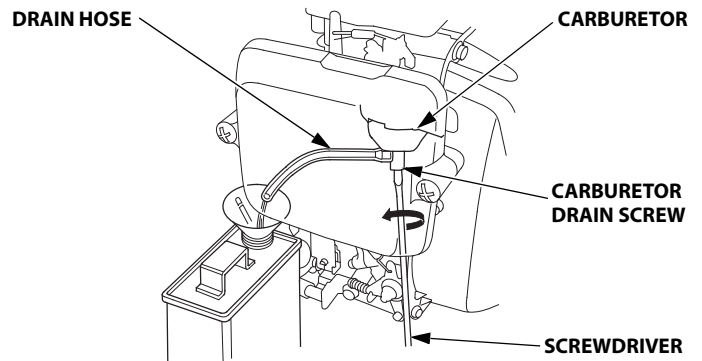
You can be burned or seriously injured when handling fuel.

- Stop the engine and let it cool before handling fuel.
- Keep heat, sparks, and flame away.
- Handle fuel only outdoors.
- Keep away from your vehicle.
- Wipe up spills immediately.

1. Drain the fuel tank, following the instructions of the equipment manufacturer.

(Float type only)

2. Place an approved gasoline container below the carburetor, and use a funnel to avoid spilling fuel.
3. Loosen the carburetor drain screw, and drain the carburetor into an approved gasoline container. After draining is completed, tighten the carburetor drain screw securely.



#### Engine Oil

1. Change the engine oil (see page 8).
2. Remove the spark plug (see page 9).
3. Pour a teaspoon 5–10 cm<sup>3</sup> (5–10 cc) of clean engine oil into the cylinder.
4. Pull the starter grip several times to distribute the oil in the cylinder.
5. Reinstall the spark plug.
6. Pull the starter grip slowly until resistance is felt. This will close the valves so moisture cannot enter the engine cylinder. Return the starter grip gently.

### Storage Precautions

If your engine will be stored with gasoline in the fuel tank and carburetor, it is important to reduce the hazard of gasoline vapor ignition. Select a well ventilated storage area away from any appliance that operates with a flame, such as a furnace, water heater, or clothes dryer. Also avoid any area with a spark-producing electric motor, or where power tools are operated.

If possible, avoid storage areas with high humidity, because that promotes rust and corrosion.

Keep the engine level in storage. Tilting can cause fuel or oil leakage.

Unless all fuel has been drained from the fuel tank, leave the fuel valve and fuel filler cap vent in the CLOSED or OFF position to reduce the possibility of fuel leakage.

With the engine and exhaust system cool, cover the engine to keep out dust. A hot engine and exhaust system can ignite or melt some materials. Do not use a plastic sheet as a dust cover.

A nonporous cover will trap moisture around the engine, promoting rust and corrosion.

### Removal from Storage

Check your engine as described in the *BEFORE OPERATION CHECKS* section of this manual (see page 3).

If the fuel was drained during storage preparation, fill the tank with fresh gasoline. If you keep a container of gasoline for refueling, be sure it contains only fresh gasoline. Gasoline oxidizes and deteriorates over time, causing hard starting.

If the cylinder was coated with oil during storage preparation, the engine will smoke briefly at startup. This is normal.

### TRANSPORTING

If the engine has been running, allow it to cool for at least 15 minutes before storing or loading on the transport vehicle. A hot engine and muffler can burn you and can ignite some materials.

Keep the engine level when transporting to reduce the possibility of fuel leakage.

If the fuel tank is equipped with a fuel valve and/or a fuel filler cap vent valve, turn them to the CLOSED or OFF position.

## TAKING CARE OF UNEXPECTED PROBLEMS

### ENGINE WILL NOT START

| Possible Cause                                                                                | Correction                                                                                                          |
|-----------------------------------------------------------------------------------------------|---------------------------------------------------------------------------------------------------------------------|
| Choke open.                                                                                   | Move lever to CLOSED position unless the engine is warm.                                                            |
| Engine switch OFF.                                                                            | Turn engine switch to ON position.                                                                                  |
| Engine oil level low.                                                                         | Fill with the recommended oil to the proper level (p. 7).                                                           |
| Out of fuel.                                                                                  | Refuel (p. 7).                                                                                                      |
| Bad fuel; engine stored without treating or draining gasoline, or refueled with bad gasoline. | Drain fuel tank and carburetor (p. 11). Refuel with fresh gasoline (p. 7).                                          |
| Spark plug faulty, fouled, or improperly gapped.                                              | Gap or replace spark plug (p. 9).                                                                                   |
| Spark plug wet with fuel (flooded engine).                                                    | Dry and reinstall spark plug. Start engine with throttle lever in MAX. position, with choke lever in OPEN position. |
| Fuel filter restricted, carburetor malfunction, ignition malfunction, valves stuck, etc.      | Take engine to your servicing dealer, or refer to shop manual.                                                      |

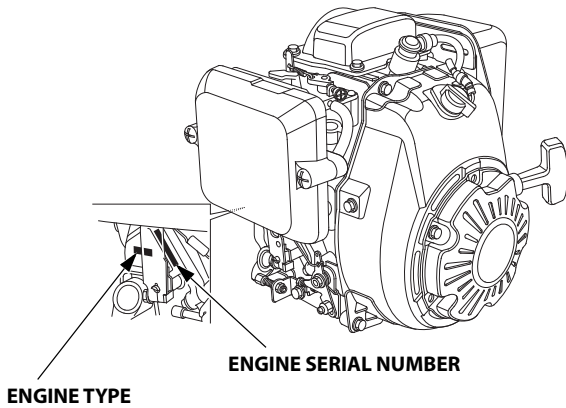
### ENGINE LACKS POWER

| Possible Cause                                                                                | Correction                                                                 |
|-----------------------------------------------------------------------------------------------|----------------------------------------------------------------------------|
| Filter element(s) restricted.                                                                 | Clean or replace filter element(s) (p. 9).                                 |
| Bad fuel; engine stored without treating or draining gasoline, or refueled with bad gasoline. | Drain fuel tank and carburetor (p. 11). Refuel with fresh gasoline (p. 7). |
| Fuel filter restricted, carburetor malfunction, ignition malfunction, valves stuck, etc.      | Take engine to your servicing dealer, or refer to shop manual.             |

## TECHNICAL INFORMATION

### Serial Number Location

Record the engine serial number, type and purchase date in the spaces below. You will need this information when ordering parts and when making technical or warranty inquiries.



Engine serial number: \_\_\_\_\_

Engine type: \_\_\_\_\_

Date Purchased: \_\_\_\_ / \_\_\_\_ / \_\_\_\_

### Carburetor Modifications for High Altitude Operation

At high altitude, the standard carburetor air-fuel mixture will be too rich. Performance will decrease, and fuel consumption will increase. A very rich mixture will also foul the spark plug and cause hard starting. Operation at an altitude that differs from that at which this engine was certified, for extended periods of time, may increase emissions.

High altitude performance can be improved by specific modifications to the carburetor. If you always operate your engine at altitudes above 610 meters (2,000 feet), have your servicing dealer perform this carburetor modification. This engine, when operated at high altitude with the carburetor modifications for high altitude use, will meet each emission standard throughout its useful life.

Even with carburetor modification, engine horsepower will decrease about 3.5% for each 300 meter (1,000 foot) increase in altitude. The effect of altitude on horsepower will be greater than this if no carburetor modification is made.

#### NOTICE

*When the carburetor has been modified for high altitude operation, the air-fuel mixture will be too lean for low altitude use. Operation at altitudes below 610 meters (2,000 feet) with a modified carburetor may cause the engine to overheat and result in serious engine damage. For use at low altitudes, have your servicing dealer return the carburetor to original factory specifications.*

## EMISSION CONTROL SYSTEM INFORMATION

### Source of Emissions

The combustion process produces carbon monoxide, oxides of nitrogen, and hydrocarbons. Control of hydrocarbons and oxides of nitrogen is very important because, under certain conditions, they react to form photochemical smog when subjected to sunlight. Carbon monoxide does not react in the same way, but it is toxic.

Honda utilizes appropriate air/fuel ratios and other emissions control systems to reduce the emissions of carbon monoxide, oxides of nitrogen, and hydrocarbons.

Additionally, Honda fuel systems utilize components and control technologies to reduce evaporative emissions.

### The U.S. and California Clean Air Acts, and Environment and Climate Change Canada (ECCC)

U.S. EPA, California and Canadian regulations require all manufacturers to furnish written instructions describing the operation and maintenance of emission control systems.

The following instructions and procedures must be followed in order to keep the emissions from your Honda engine within the emission standards.

### Tampering and Altering

#### NOTICE

*Tampering is a violation of federal and California law.*

Tampering with or altering the emission control system may increase emissions beyond the legal limit. Among those acts that constitute tampering are:

- Removal or alteration of any part of intake, fuel, or exhaust systems.
- Alterations that would cause the engine to operate outside its design parameters.

### Problems That May Affect Emissions

If you are aware of any of the following symptoms, have your engine inspected and repaired by your authorized Honda Power Equipment dealer.

- Hard starting or stalling after starting.
- Rough idle.
- Misfiring or backfiring under load.
- Afterburning (backfiring).
- Black exhaust smoke or high fuel consumption.

### Replacement Parts

The emissions control systems on your new Honda engine were designed, built, and certified to conform with EPA, California (models certified for sale in California only), and Canadian emissions regulations. We recommend the use of Honda Genuine parts whenever you have maintenance done. These original design replacement parts are manufactured to the same standards as the original parts, so you can be confident of their performance. Honda cannot deny coverage under the emission warranty solely for the use of non-Honda replacement parts or service performed at a location other than an authorized Honda dealership; you may use comparable EPA certified parts, and have service performed at non-Honda locations. However, the use of replacement parts that are not of the original design and quality may impair the effectiveness of your emissions control system.

A manufacturer of an aftermarket part assumes the responsibility that the part will not adversely affect emissions performance. The manufacturer or rebuilder of the part must certify that use of the part will not result in a failure of the engine to comply with emissions regulations.

## Maintenance

As the power equipment engine owner, you are responsible for completing all required maintenance listed in your owner's manual. Honda recommends that you retain all receipts covering maintenance on your power equipment engine, but Honda cannot deny warranty coverage solely for the lack of receipts or for your failure to ensure that all scheduled maintenance has been completed.

Follow the "MAINTENANCE SCHEDULE" on page 6.

Remember that this schedule is based on the assumption that your Honda engine product will be used for its designed purpose. Sustained high-load or high-temperature operation, or use in dusty conditions, will require more frequent service.

## Air Index (Models certified for sale in California)

An Air Index Information label is applied to engines certified to an emission durability time period in accordance with the requirements of the California Air Resources Board.

The bar graph is intended to provide you, our customer, the ability to compare the emissions performance of available engines. The lower the Air Index, the less pollution.

The durability description is intended to provide you with information relating to the engine's emission durability period. The descriptive term indicates the useful life period for the engine's emission control system. See your "EMISSION CONTROL SYSTEM WARRANTY" (see page 14) for additional information.

| Descriptive Term | Applicable to Emission Durability Period                                                             |
|------------------|------------------------------------------------------------------------------------------------------|
| Moderate         | 50 hours (0–80 cc, inclusive)<br>125 hours (greater than 80 cc)                                      |
| Intermediate     | 125 hours (0–80 cc, inclusive)<br>250 hours (greater than 80 cc)                                     |
| Extended         | 300 hours (0–80 cc, inclusive)<br>500 hours (greater than 80 cc)<br>1,000 hours (225 cc and greater) |

## EMISSION CONTROL SYSTEM WARRANTY

Your Honda Power Equipment engine is designed, built, and equipped to meet the U.S. EPA, Environment Canada, and California Air Resources Board (models certified for sale in California only) emission standard for spark ignited engines. American Honda Motor provides the emission warranty coverage for engines in the United States and its territories. Honda Canada provides the emission warranty for engines in the 13 provinces and territories of Canada.

## Warranty Coverage

Honda Power Equipment engines certified to the U.S. EPA, Environment Canada, and State of California (models certified for sale in California only) emission regulations are covered by this warranty to be free from defects in materials and workmanship that may keep it from meeting the applicable U.S. EPA, CARB and Canadian emissions requirements for a minimum of 2 years or the length of the Honda Power Equipment Distributor's Limited Warranty, whichever is longer, from the original date of delivery to the retail purchaser. This warranty is transferable to each subsequent purchaser for the duration of the warranty period. Warranty repairs will be made without charge for diagnosis, parts, and labor. Information about how to make a warranty claim, as well as a description of how a claim can be made and/or how service can be provided, can be obtained by contacting an authorized Honda Power Equipment dealer or by contacting the following:

American Honda

Email: [powerequipmentemissions@ahm.honda.com](mailto:powerequipmentemissions@ahm.honda.com)

Telephone: (888) 888-3139

Honda Canada

Telephone: (888) 946-6329

The covered components include all components whose failure would increase an engine's emissions of any regulated pollutant or evaporative emissions. A list of specific components can be found in the separately included emissions warranty statement.

Specific warranty terms, coverage, limitations, and manner of seeking warranty service are also set forth in the separately included emissions warranty statement. In addition, the emission warranty statement can also be found on the Honda Power equipment website or at the following link:

<http://powerequipment.honda.com/support/warranty>

## Specifications

### KRE-type (basic type)

|                                                    |                                                                      |
|----------------------------------------------------|----------------------------------------------------------------------|
| LengthxWidthxHeight                                | 266x306x290 mm<br>(10.5x12.1x11.4 in)                                |
| Dry mass [weight]                                  | 10.9 kg (24.0 lbs)                                                   |
| Engine type                                        | 4-stroke, overhead camshaft,<br>single cylinder                      |
| Displacement<br>[BorexStroke]                      | 98.5 cm <sup>3</sup> (6.01 cu-in)<br>[56.0x40.0 mm (2.2x1.6 in)]     |
| Net power<br>(in accordance with SAE J1349*)       | 2.1 kW (2.9 PS, 2.8 bhp) at<br>3,600 min <sup>-1</sup> (rpm)         |
| Max. Net torque<br>(in accordance with SAE J1349*) | 5.7 N·m (0.58 kgf·m, 4.2 lbf·ft) at<br>3,600 min <sup>-1</sup> (rpm) |
| Engine oil capacity* <sup>1</sup>                  | 0.28 L (9 oz, 0.25 Imp qt)                                           |
| Cooling system                                     | Forced air                                                           |
| Ignition system                                    | Transistor magneto                                                   |
| PTO shaft rotation                                 | Counterclockwise                                                     |

\* 1: When mount for rammer is angle 15°.

\* The power rating of the engine indicated in this document is the net power output tested on a production engine for the engine model and measured in accordance with SAE J1349 at 3,600 min<sup>-1</sup> (rpm) (Net Power) and at 3,600 min<sup>-1</sup> (rpm) (Max. Net Torque). Mass production engines may vary from this value.

Actual power output for the engine installed in the final machine will vary depending on numerous factors, including the operating speed of the engine in application, environmental conditions, maintenance, and other variables.



## Tuneup Specifications

| ITEM                   | SPECIFICATION                        | MAINTENANCE                      |
|------------------------|--------------------------------------|----------------------------------|
| Spark plug gap         | 0.6–0.7 mm<br>(0.024–0.028 in)       | Refer to page 9                  |
| Idle speed             | 1,850±150 min <sup>-1</sup> (rpm)    | Refer to shop manual             |
| Valve clearance (cold) | IN: 0.15±0.04 mm<br>EX: 0.20±0.04 mm | See your authorized Honda dealer |
| Other specifications   | No other adjustments needed.         |                                  |

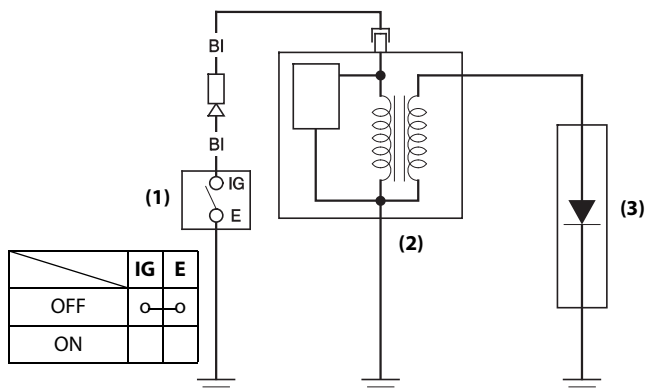
## Quick Reference Information

|                                                             |                                                                                                                                            |                                     |
|-------------------------------------------------------------|--------------------------------------------------------------------------------------------------------------------------------------------|-------------------------------------|
| Fuel                                                        | Unleaded gasoline (Refer to page 7)                                                                                                        |                                     |
|                                                             | U.S.                                                                                                                                       | Pump octane rating 86 or higher     |
|                                                             | Except U.S.                                                                                                                                | Research octane rating 91 or higher |
| Engine oil                                                  | SAE 10W-30, API SJ or later, for general use. Refer to page 7.                                                                             |                                     |
| Spark plug                                                  | CR5HSB (NGK)<br>U16FSR-UB (DENSO) (Refer to page 9)                                                                                        |                                     |
| Maintenance                                                 | Before each use:                                                                                                                           |                                     |
|                                                             | <ul style="list-style-type: none"> <li>• Check engine oil level. Refer to page 7.</li> <li>• Check air filter. Refer to page 8.</li> </ul> |                                     |
|                                                             | First 20 hours:<br>Change engine oil. Refer to page 8.                                                                                     |                                     |
| Subsequent:<br>Refer to the maintenance schedule on page 6. |                                                                                                                                            |                                     |

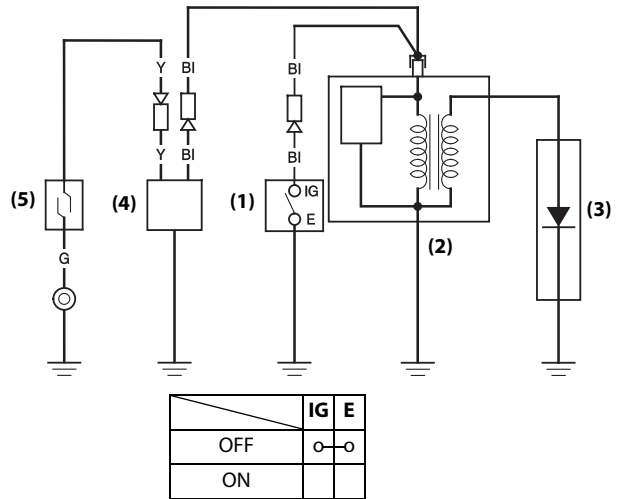
## Wiring Diagram

Wiring diagram may vary according to the type.

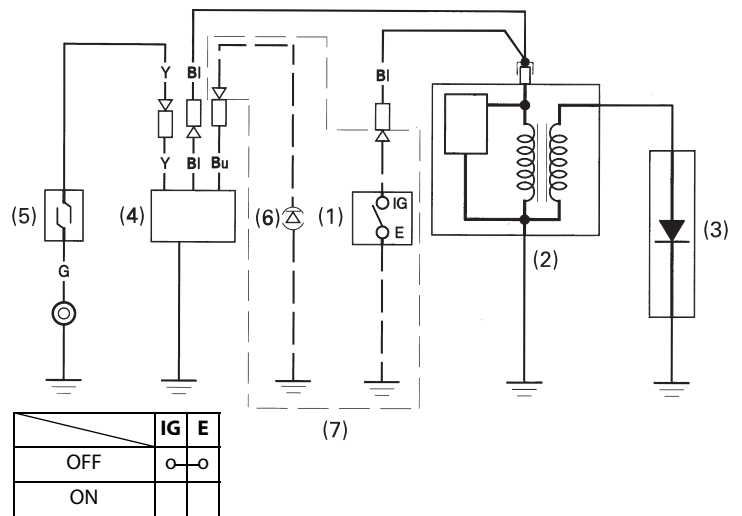
### Without Oil Alert



### With Oil Alert



### With Oil Alert and LED



- |                    |                      |
|--------------------|----------------------|
| (1) ENGINE SWITCH  | (5) OIL LEVEL SWITCH |
| (2) IGNITION COIL  | (6) LED              |
| (3) SPARK PLUG     | (7) OEM PARTS        |
| (4) OIL ALERT UNIT |                      |

|    |        |    |             |
|----|--------|----|-------------|
| Bl | Black  | Br | Brown       |
| Y  | Yellow | O  | Orange      |
| Bu | Blue   | Lb | Light blue  |
| G  | Green  | Lg | Light green |
| R  | Red    | P  | Pink        |
| W  | White  | Gr | Gray        |

## CONSUMER INFORMATION

### DISTRIBUTOR/DEALER LOCATOR INFORMATION

#### United States, Puerto Rico, and U.S. Virgin Islands:

Visit our website: [www.honda-engines.com](http://www.honda-engines.com)

#### Canada:

Call (888) 9HONDA9

or visit our website: [www.honda.ca](http://www.honda.ca)

#### For European Area:

Visit our website: <http://www.honda-engines-eu.com>

#### Australia:

Call (03) 9270 1348

or visit our website: [www.hondampe.com.au](http://www.hondampe.com.au)

### CUSTOMER SERVICE INFORMATION

Servicing dealership personnel are trained professionals. They should be able to answer any question you may have. If you encounter a problem that your dealer does not solve to your satisfaction, please discuss it with the dealership's management. The Service Manager, General Manager, or Owner can help.

Almost all problems are solved in this way.

#### United States, Puerto Rico, and U.S. Virgin Islands:

If you are dissatisfied with the decision made by the dealership's management, contact the Honda Regional Engine Distributor for your area.

If you are still dissatisfied after speaking with the Regional Engine Distributor, you may contact the Honda Office as shown.

#### All Other Areas:

If you are dissatisfied with the decision made by the dealership's management, contact the Honda Office as shown.

#### 《Honda's Office》

When you write or call, please provide this information:

- Equipment manufacturer's name and model number that the engine is mounted on
- Engine model, serial number, and type (see page 13)
- Name of dealer who sold the engine to you
- Name, address, and contact person of the dealer who services your engine
- Date of purchase
- Your name, address and telephone number
- A detailed description of the problem

#### United States, Puerto Rico, and U.S. Virgin Islands:

##### American Honda Motor Co., Inc.

Power Equipment Division

Customer Relations Office

4900 Marconi Drive

Alpharetta, GA 30005-8847

Or telephone:

(770) 497-6400

(888) 888-3139 Toll free

M-F 9:00am - 7:30pm ET

#### Canada:

##### Honda Canada, Inc.

Please visit [www.honda.ca](http://www.honda.ca)

for address information

Telephone: (888) 9HONDA9 Toll free

(888) 946-6329

Facsimile: (877) 939-0909 Toll free

#### Australia:

##### Honda Australia Motorcycle and Power Equipment Pty. Ltd.

1954-1956 Hume Highway

Campbellfield Victoria 3061

Telephone: (03) 9270 1111

Facsimile: (03) 9270 1133

#### For European Area:

##### Honda Motor Europe Logistics NV.

European Engine Center

<http://www.honda-engines-eu.com>

#### All Other Areas:

Please contact the Honda distributor in your area for assistance.

# HONDA

## INTRODUCTION

Merci d'avoir fait l'achat d'un moteur Honda! Nous désirons vous aider à faire le meilleur usage de votre nouveau moteur et à l'utiliser en sécurité. Vous trouverez dans ce manuel des informations sur la manière d'y parvenir ; veuillez le lire attentivement avant d'utiliser le moteur. En cas de problème ou pour toute question sur le moteur, consultez un concessionnaire Honda agréé.

Toutes les informations de cette publication sont basées sur les dernières informations sur le produit disponibles au moment de l'impression. Honda Motor Co., Ltd. se réserve le droit d'apporter des modifications à tout moment sans préavis et sans obligation de sa part. Aucune partie de ce document ne peut être reproduite sans autorisation écrite.

Ce manuel doit être considéré comme faisant partie du moteur et doit l'accompagner en cas de revente.

Pour de plus amples informations sur le démarrage, l'arrêt, l'utilisation et les réglages du moteur ou pour des instructions sur tout entretien spécial, consultez les instructions accompagnant l'équipement commandé par ce moteur.

Etats-Unis, Porto Rico et Iles Vierges américaines :

Nous vous suggérons de lire le bulletin de garantie afin de bien comprendre ce que la garantie couvre et vos responsabilités en tant que propriétaire. Le bulletin de garantie est un document séparé que vous avez dû en principe recevoir de votre concessionnaire.

## MESSAGES DE SECURITE

Votre sécurité et celle des autres sont essentielles. Vous trouverez des messages de sécurité importants dans ce manuel et sur le moteur. Veuillez les lire attentivement.

Les messages de sécurité vous avertissent de risques potentiels de blessures pour vous et les autres. Chaque message de sécurité est précédé d'un symbole de mise en garde ⚠ et de l'une des trois mentions DANGER, AVERTISSEMENT ou ATTENTION.

Ces mots-indicateurs signifient :

**⚠ DANGER**

Le non-respect de ces instructions ENTRAÎNERA des BLESSURES GRAVES, voire MORTELLES.

**⚠ AVERTISSEMENT**

Le non-respect de ces instructions est SUSCEPTIBLE d'entraîner des BLESSURES GRAVES, voire MORTELLES.

**⚠ ATTENTION**

Le non-respect de ces instructions est SUSCEPTIBLE d'entraîner des BLESSURES.

Chaque message vous indique quel est le danger, ce qui peut arriver et ce que vous pouvez faire pour éviter ou réduire les blessures.

## MESSAGES DE PREVENTION DES DOMMAGES

D'autres messages importants sont précédés du mot REMARQUE.

Cette mention signifie :

**REMARQUE**

Votre moteur, d'autres biens ou l'environnement peuvent être endommagés si vous ne suivez pas ces instructions.

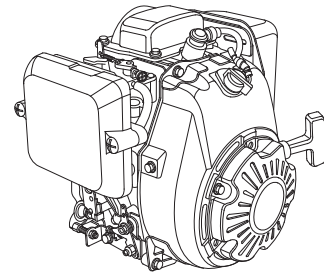
L'ensemble de ce manuel contient des informations de sécurité importantes - veuillez les lire consciencieusement.

# HONDA

## MANUEL DE L'UTILISATEUR

### GX100

POUR COMPACTEURS DE TYPE DAME



## ⚠ AVERTISSEMENT: ⚠

L'échappement du moteur contient des substances chimiques déclarées responsables de cancers, de malformations congénitales ou d'autres anomalies de la reproduction par l'Etat de Californie.

## SOMMAIRE

|                                              |    |                                                                                                                      |    |
|----------------------------------------------|----|----------------------------------------------------------------------------------------------------------------------|----|
| INTRODUCTION.....                            | 1  | INFORMATIONS TECHNIQUES.....                                                                                         | 13 |
| MESSAGES DE SECURITE.....                    | 1  | Emplacement du numéro de série .....                                                                                 | 13 |
| INFORMATIONS DE SECURITE.....                | 2  | Modifications du carburateur pour une utilisation à haute altitude ...                                               | 13 |
| EMPLACEMENT DE L'ETIQUETTE DE SECURITE ..... | 2  | INFORMATIONS RELATIVES AU SYSTÈME ANTIPOLLUTION .....                                                                | 13 |
| EMPLACEMENT DES COMPOSANTS ET COMMANDES..... | 3  | Sources d'émissions.....                                                                                             | 13 |
| PARTICULARITES.....                          | 3  | Les Clean Air Acts des États-Unis et de la Californie, et Environnement et Changement climatique Canada (ECCC) ..... | 13 |
| CONTROLES AVANT L'UTILISATION .....          | 3  | Falsification et modification ...                                                                                    | 13 |
| UTILISATION .....                            | 4  | Problèmes pouvant affecter les émissions.....                                                                        | 13 |
| CONSIGNES DE SECURITE D'UTILISATION.....     | 4  | Pièces de rechange .....                                                                                             | 14 |
| DEMARRAGE DU MOTEUR .....                    | 4  | Entretien.....                                                                                                       | 14 |
| REGLAGE DU REGIME MOTEUR .....               | 5  | Indice atmosphérique .....                                                                                           | 14 |
| ARRÊT DU MOTEUR.....                         | 5  | GARANTIE DU SYSTÈME ANTIPOLLUTION.....                                                                               | 14 |
| ENTRETIEN DU MOTEUR .....                    | 6  | Couverture de la garantie .....                                                                                      | 14 |
| L'IMPORTANCE DE L'ENTRETIEN ...              | 6  | Spécifications .....                                                                                                 | 15 |
| SECURITE D'ENTRETIEN .....                   | 6  | Caractéristiques de mise au point .....                                                                              | 15 |
| CONSIGNES DE SECURITE.....                   | 6  | Informations de référence rapide .....                                                                               | 15 |
| PROGRAMME D'ENTRETIEN .....                  | 6  | Schéma de câblage .....                                                                                              | 15 |
| REPLISSAGE EN CARBURANT.....                 | 7  | INFORMATION DU CONSOMMATEUR .....                                                                                    | 16 |
| HUILE MOTEUR.....                            | 7  | INFORMATIONS SUR LE LOCALISATEUR DE DISTRIBUTEURS/ CONCESSIONNAIRES .....                                            | 16 |
| Huile recommandée.....                       | 7  | INFORMATIONS D'ENTRETIEN POUR LE CLIENT .....                                                                        | 16 |
| Vérification du niveau d'huile...7           |    |                                                                                                                      |    |
| Renouvellement d'huile.....                  | 8  |                                                                                                                      |    |
| FILTRE A AIR.....                            | 8  |                                                                                                                      |    |
| Contrôle .....                               | 8  |                                                                                                                      |    |
| Nettoyage.....                               | 9  |                                                                                                                      |    |
| BOUGIE.....                                  | 9  |                                                                                                                      |    |
| PARE-ETINCELLES .....                        | 10 |                                                                                                                      |    |
| CONSEILS ET SUGGESTIONS UTILES.....          | 11 |                                                                                                                      |    |
| REMISAGE DU MOTEUR.....                      | 11 |                                                                                                                      |    |
| TRANSPORT .....                              | 12 |                                                                                                                      |    |
| EN CAS DE PROBLEME INATTENDU.....            | 12 |                                                                                                                      |    |

## INFORMATIONS DE SECURITE

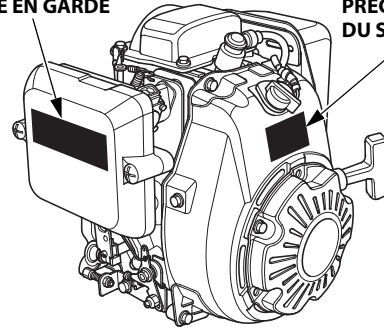
- Comprenez bien le fonctionnement de toutes les commandes et apprenez comment arrêter le moteur rapidement en cas d'urgence. Veillez à ce que l'opérateur reçoive des instructions adéquates avant l'utilisation de l'équipement.
- Ne pas autoriser des enfants à utiliser le moteur. Eloigner les enfants et les animaux de la zone d'utilisation.
- Les gaz d'échappement du moteur contiennent du monoxyde de carbone toxique.  
Ne pas faire tourner le moteur sans une aération adéquate et ne jamais l'utiliser à l'intérieur.
- Le moteur et les gaz d'échappement deviennent très chauds pendant le fonctionnement.  
Garder le moteur à au moins 1 mètre des bâtiments et des autres équipements pendant l'utilisation. Ne pas approcher de matières inflammables et ne rien placer sur le moteur pendant son fonctionnement.

## EMPLACEMENT DE L'ETIQUETTE DE SECURITE

Cette étiquette met en garde contre les risques potentiels de blessures graves. Lire attentivement son contenu.  
Si l'étiquette se détache ou devient illisible, s'adresser à un concessionnaire réparateur pour obtenir une étiquette de rechange.

ETIQUETTE DE MISE EN GARDE

ETIQUETTE DE PRECAUTIONS VIS-A-VIS DU SILENCIEUX



| ETIQUETTE DE MISE EN GARDE                                                                                                                                                                                                                                                                                                         | Pour l'UE               | Excepté l'UE            |
|------------------------------------------------------------------------------------------------------------------------------------------------------------------------------------------------------------------------------------------------------------------------------------------------------------------------------------|-------------------------|-------------------------|
| <br>Honda Motor Co., Ltd.                                                                                                                                                                                                                                                                                                          | apposée sur le produit  | fournie avec le produit |
| <b>WARNING</b><br>Gasoline is highly flammable and explosive. Turn engine off and let cool before refueling.<br>The engine emits toxic carbon monoxide. Do not run in an enclosed area.<br>Read Owner's Manual before operation.<br>Honda Motor Co., Ltd.                                                                          | fournie avec le produit | apposée sur le produit  |
| <b>ATTENTION</b><br>L'essence est très inflammable et explosive. Arrêter le moteur et le laisser refroidir avant de faire le plein d'essence.<br>Le moteur produit les vapeurs nocives de monoxyde de carbone. Ne pas utiliser dans un local clos.<br>Lire le manuel de propriétaire avant l'utilisation.<br>Honda Motor Co., Ltd. | fournie avec le produit | fournie avec le produit |

| ETIQUETTE DE PRECAUTIONS VIS-A-VIS DU SILENCIEUX                                                 | Pour l'UE               | Excepté l'UE            |
|--------------------------------------------------------------------------------------------------|-------------------------|-------------------------|
|                                                                                                  | non incluse             | fournie avec le produit |
| <b>CAUTION</b><br>HOT MUFFLER CAN BURN YOU.<br>Stay away if engine has been running.             | fournie avec le produit | apposée sur le produit  |
| <b>ATTENTION</b><br>L'ÉCHAPPEMENT CHAUD PEUT VOUS BRULER. S'ÉLOIGNER QUAND LE MOTEUR FONCTIONNE. | fournie avec le produit | fournie avec le produit |



L'essence est très inflammable et explosive. Avant de faire le plein de carburant, arrêter le moteur et le laisser se refroidir.



Le moteur dégage du monoxyde de carbone qui est un gaz toxique. Ne jamais le faire fonctionner dans un endroit clos.

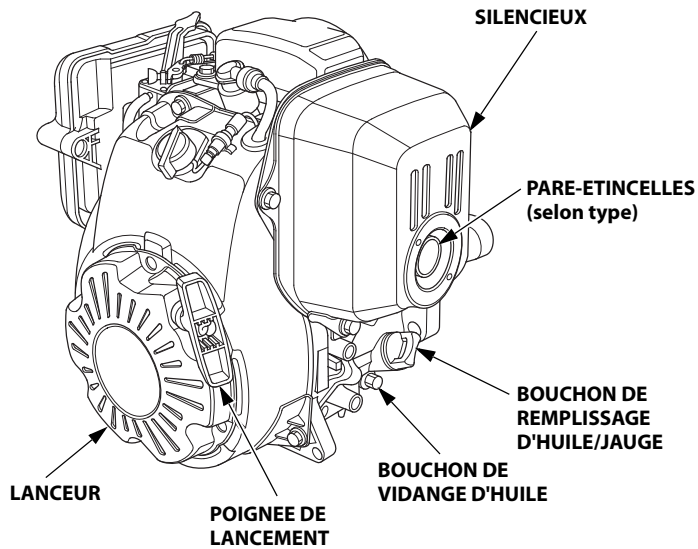


Lire le manuel de l'utilisateur avant l'utilisation.



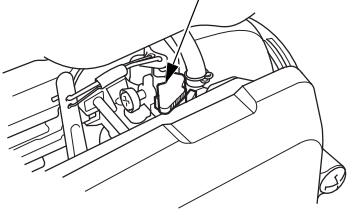
Le silencieux chaud peut provoquer des brûlures. Rester à distance si le moteur vient de fonctionner.

## EMPLACEMENT DES COMPOSANTS ET COMMANDES



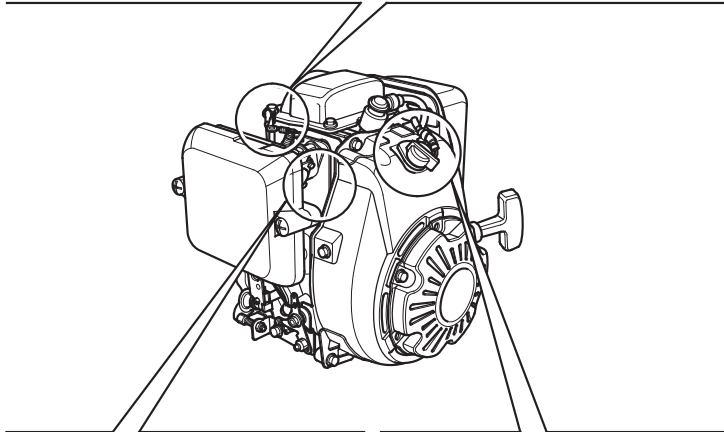
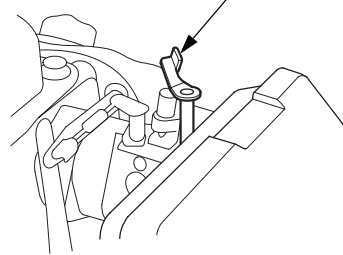
(Type à flotteur)

LEVIER DE STARTER

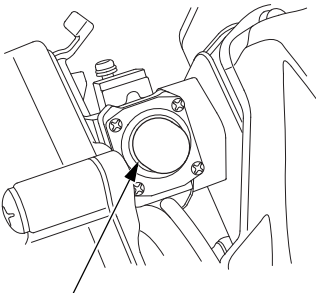


(Type à membrane)

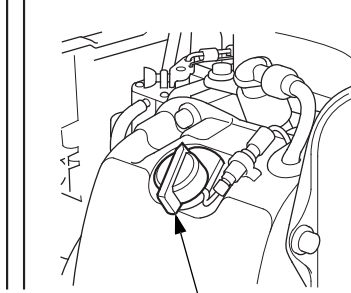
LEVIER DE STARTER



POIRE D'AMORÇAGE (selon type)



CONTACTEUR MOTEUR (selon type)



## PARTICULARITES

### Système Oil Alert® (selon type)

"Oil Alert est une marque déposée aux Etats-Unis."

Le système Oil Alert protège le moteur contre les dommages dus au manque d'huile dans le carter moteur. Avant que le niveau d'huile du carter moteur ne soit descendu au-dessous du seuil de sécurité, le système Oil Alert empêche le moteur de démarrer.

Si le moteur ne démarre pas, vérifier le niveau d'huile du moteur (voir page 7) avant de procéder à la recherche d'une autre cause de panne.

## CONTROLES AVANT L'UTILISATION

### LE MOTEUR EST-IL PRET A FONCTIONNER ?

Pour la sécurité, le respect de la réglementation sur l'environnement et la longévité de l'équipement, il est important de consacrer quelques instants à vérifier l'état du moteur avant l'utilisation. Corriger tout problème constaté ou confier cette opération au concessionnaire avant l'utilisation.

### ⚠ AVERTISSEMENT

Un entretien incorrect de ce moteur ou l'absence de correction d'un problème avant l'utilisation peut entraîner une défaillance importante.

Certains dysfonctionnements peuvent entraîner de graves blessures voire la mort.

Toujours effectuer les contrôles avant l'utilisation avant chaque utilisation et corriger tout problème.

Avant de commencer les contrôles avant l'utilisation, s'assurer que le moteur est à l'horizontale et que le contacteur moteur se trouve sur la position ARRET.

Toujours vérifier les points suivants avant de mettre le moteur en marche :

### Vérifier l'état général du moteur

1. Vérifier qu'il n'y a pas de traces de fuites d'huile ou d'essence autour du moteur ou au-dessous.
2. Enlever toute saleté ou débris excessifs, tout particulièrement autour du silencieux et du lanceur.
3. Vérifier qu'il n'y a pas de signes de dommages.
4. S'assurer que tous les protecteurs et couvercles sont en place et que tous les écrous, boulons et vis sont serrés.

### Vérifier le moteur

1. Vérifier le niveau de carburant. En démarrant avec un réservoir de carburant plein, on évitera ou on réduira les interruptions de service pour faire le plein.
2. Vérifier le niveau d'huile du moteur (voir page 7). L'utilisation du moteur avec un niveau d'huile trop bas peut l'endommager.
3. Vérifier l'élément de filtre à air (voir page 8). Un élément de filtre à air sale limite le passage d'air vers le carburateur, ce qui diminue les performances du moteur.
4. Vérifier l'équipement commandé par ce moteur.

Pour les précautions et procédures à observer avant le démarrage du moteur, consulter les instructions accompagnant l'équipement commandé par ce moteur.

# UTILISATION

## CONSIGNES DE SECURITE D'UTILISATION

Avant d'utiliser le moteur pour la première fois, lire la section *INFORMATIONS DE SECURITE* à la page 2 et la section *CONTROLES AVANT L'UTILISATION* à la page 3.

### Dangers du monoxyde de carbone

Par sécurité, ne pas faire fonctionner le moteur dans un endroit clos tel qu'un garage. Les gaz d'échappement du moteur contiennent du monoxyde de carbone, un gaz toxique qui peut s'accumuler rapidement dans un endroit clos et provoquer une intoxication ou la mort.

### ⚠ AVERTISSEMENT

Les gaz d'échappement contiennent du monoxyde de carbone, un gaz toxique qui peut s'accumuler à des niveaux dangereux dans des endroits clos.

L'inhalation de monoxyde de carbone peut provoquer des évanouissements ou la mort.

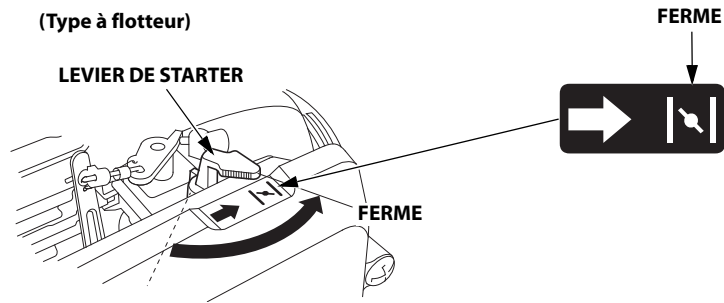
Ne jamais faire tourner le moteur dans un endroit fermé, ou même partiellement fermé.

Pour les consignes de sécurité à observer au démarrage, lors de l'arrêt du moteur et pendant l'utilisation, consulter les instructions accompagnant l'équipement commandé par ce moteur.

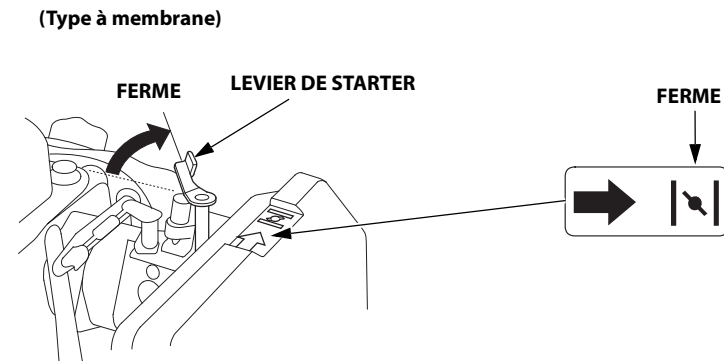
## DEMARRAGE DU MOTEUR

1. Si le réservoir de carburant est doté d'un robinet de carburant, s'assurer que celui-ci et l'orifice de mise à l'air libre du bouchon de remplissage de carburant se trouvent sur la position OUVERT ou MARCHE avant de tenter de mettre le moteur en marche. Pour des instructions particulières sur l'utilisation du robinet de carburant et de l'orifice de mise à l'air libre du bouchon de remplissage de carburant, consulter les instructions accompagnant l'équipement commandé par ce moteur.
2. Pour mettre en marche un moteur froid, placer le levier de starter sur la position FERME.

(Type à flotteur)

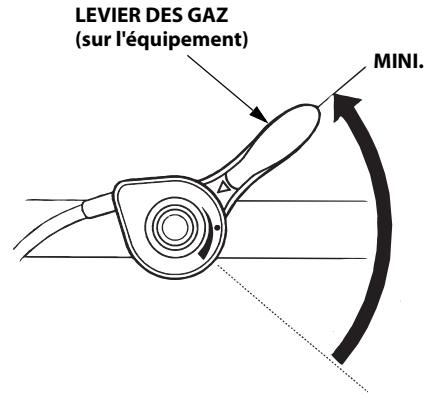


(Type à membrane)

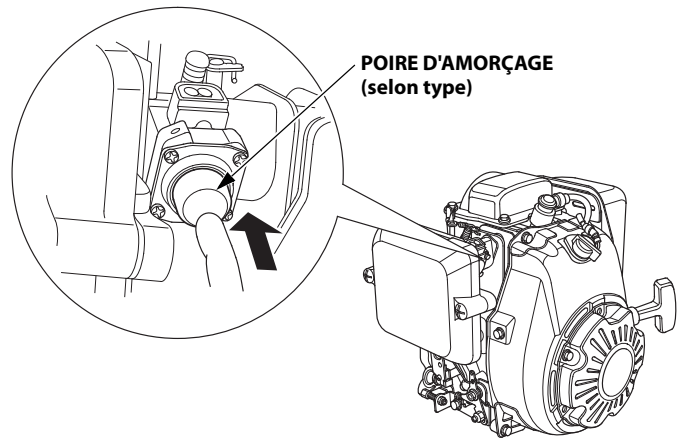


Pour remettre en marche un moteur chaud, laisser le levier de starter sur la position OUVERT.

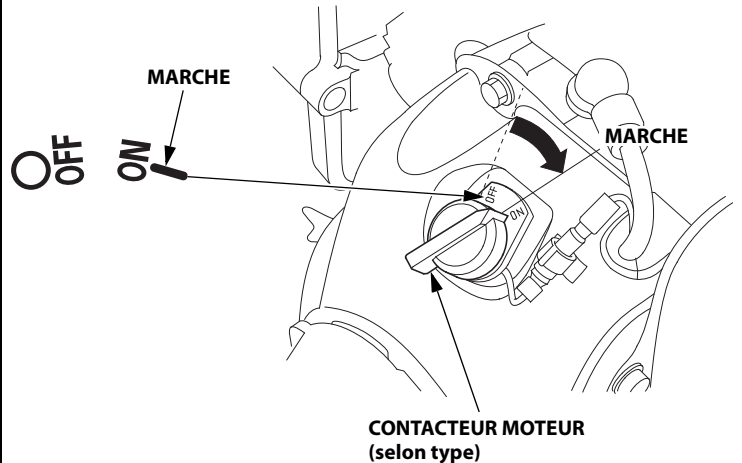
3. Placer le levier des gaz sur la position MINI. Le levier des gaz est monté sur l'équipement commandé par ce moteur. Pour les informations concernant la commande des gaz spécifique à votre équipement, consulter les instructions qui l'accompagnent.



4. Actionner la poire d'amorçage (selon type) à plusieurs reprises.

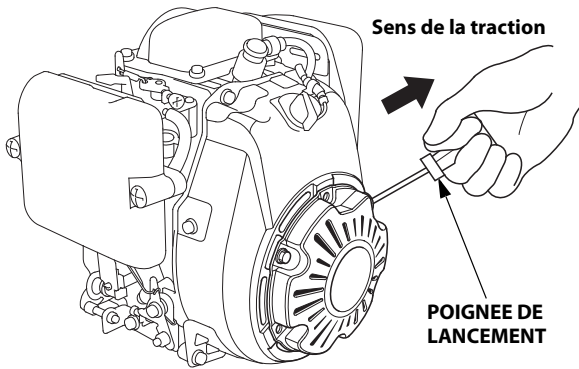


5. Placer le contacteur moteur (selon type) sur la position MARCHE.





- Tirer doucement la poignée de lancement jusqu'à ce que l'on ressente une résistance, puis la tirer d'un coup sec dans le sens de la flèche comme sur la figure ci-dessous. Ramener doucement la poignée de lancement en arrière.

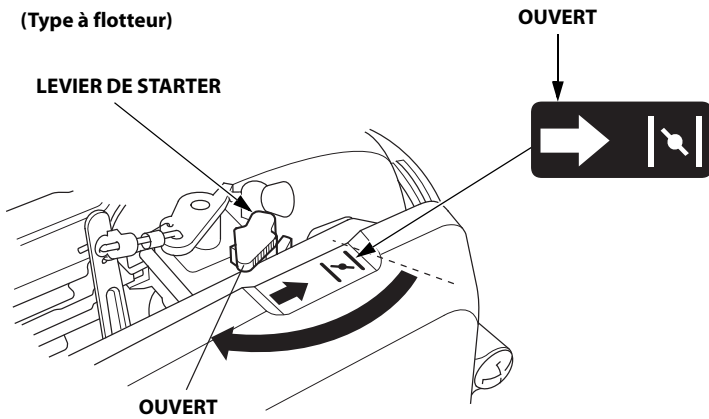


**REMARQUE**

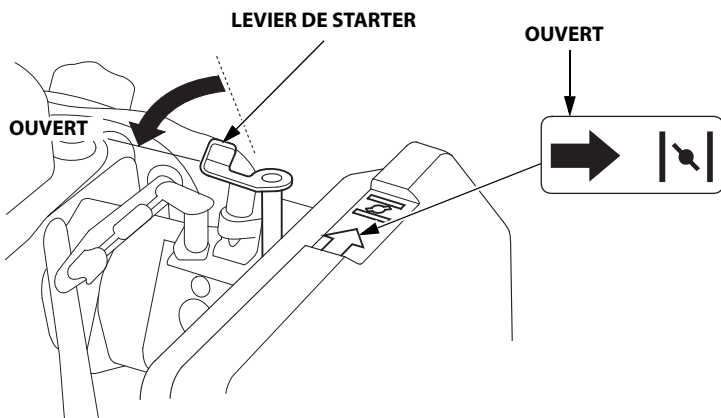
Ne pas laisser la poignée de lancement revenir d'elle-même contre le moteur. Accompagner doucement son mouvement de retour pour ne pas risquer d'endommager le lanceur.

- Si l'on a placé le levier de starter sur la position FERME pour mettre le moteur en marche, le ramener progressivement sur la position OUVERT à mesure que le moteur chauffe.

(Type à flotteur)



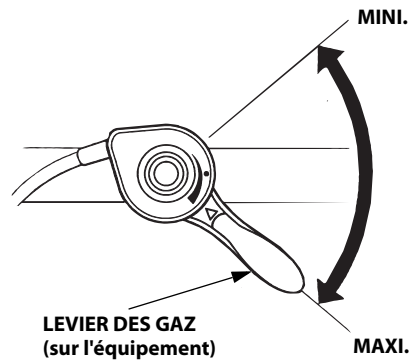
(Type à membrane)



**REGLAGE DU REGIME MOTEUR**

Placer le levier des gaz sur la position correspondant au régime moteur désiré.

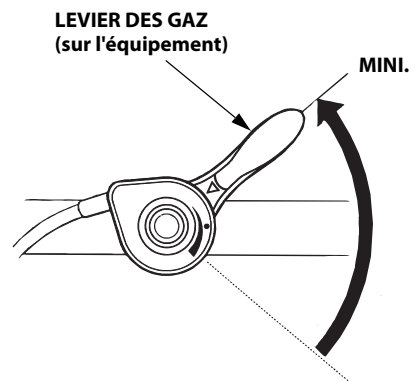
Pour les recommandations de régime moteur, consulter les instructions accompagnant l'équipement commandé par ce moteur.



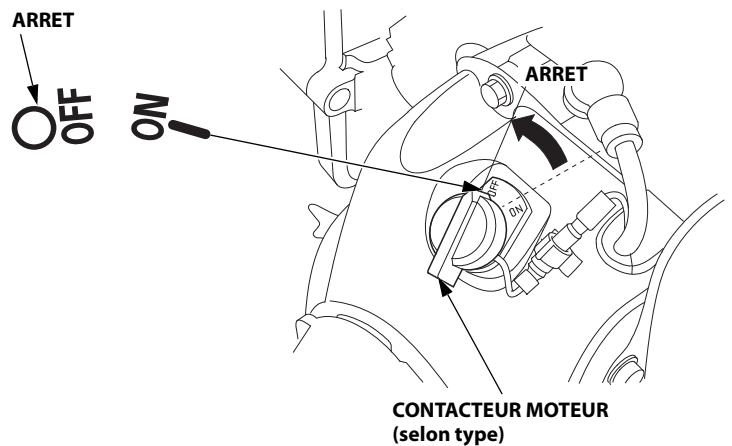
**ARRET DU MOTEUR**

Pour arrêter le moteur en cas d'urgence, placer simplement le contacteur moteur sur la position ARRET. Dans des conditions normales, procéder comme il est indiqué ci-dessous. Consulter les instructions fournies par le fabricant de l'équipement.

- Placer le levier des gaz sur la position MINI.



- Placer le contacteur moteur (selon type) sur la position ARRET.



- Si le réservoir de carburant est doté d'un robinet de carburant ou d'un bouchon de remplissage de carburant avec mise à l'air libre, les placer sur la position FERME ou ARRET.

## ENTRETIEN DU MOTEUR

### L'IMPORTANCE DE L'ENTRETIEN

Un bon entretien est essentiel pour un fonctionnement sûr, économique et sans problème. Il contribue également à réduire la pollution.

#### AVERTISSEMENT

Un entretien incorrect de ce moteur ou l'absence de correction d'un problème avant l'utilisation peut entraîner une défaillance importante.

Certains dysfonctionnements peuvent entraîner de graves blessures voire la mort.

Toujours observer les recommandations et programmes de contrôle et d'entretien figurant dans ce manuel.

Pour permettre d'entretenir correctement le moteur, on trouvera aux pages suivantes un programme d'entretien, des procédures de contrôle de routine et des procédures d'entretien simples pouvant être effectuées avec des outils à main de base. D'autres opérations d'entretien plus difficiles ou demandant des outils spéciaux seront mieux exécutées par des professionnels et devront normalement être confiées à un technicien Honda ou à un autre mécanicien qualifié.

Le programme d'entretien s'applique à des conditions d'utilisation normales. Si l'on utilise le moteur dans des conditions sévères telles qu'un fonctionnement prolongé sous une charge élevée ou par haute température, ou dans des conditions anormalement humides ou poussiéreuses, demander au concessionnaire réparateur Honda des recommandations pour des besoins et un usage particuliers.

**L'entretien, le remplacement ou la réparation des dispositifs et systèmes antipollution peuvent être exécutés par toute entreprise ou par tout technicien de réparation de moteurs utilisant des pièces "certifiées" aux normes EPA.**

### SECURITE D'ENTRETIEN

Certaines des consignes de sécurité les plus importantes sont indiquées ci-dessous. Il ne nous est toutefois pas possible de vous avertir de tous les dangers imaginables que vous pouvez courir en exécutant l'entretien. Vous êtes seul juge de décider si vous devez ou non effectuer un travail donné.

#### AVERTISSEMENT

Un entretien incorrect peut entraîner des problèmes de sécurité.

Ne pas respecter les instructions d'entretien et les précautions peut entraîner de graves blessures voire la mort.

Toujours observer les procédures et précautions de ce manuel.

### CONSIGNES DE SECURITE

- Avant de commencer un entretien ou une réparation, s'assurer que le moteur est arrêté. Déconnecter le capuchon de bougie pour ne pas risquer un démarrage involontaire. Ceci éliminera plusieurs risques potentiels :
  - **Empoisonnement par le monoxyde de carbone contenu dans les gaz d'échappement du moteur.**  
Procéder à l'extérieur, à bonne distance des fenêtres ou portes ouvertes.
  - **Brûlures par des pièces chaudes.**  
Attendre que le moteur et le système d'échappement se soient refroidis avant de les toucher.
  - **Blessures par des pièces mobiles.**  
Ne faire tourner le moteur que si cela est indiqué dans les instructions.
- Lire les instructions avant de commencer et s'assurer que l'on dispose de l'outillage et des compétences nécessaires.
- Pour diminuer les risques d'incendie ou d'explosion, être prudent lorsqu'on travaille à proximité de l'essence. Pour nettoyer les pièces, n'utiliser que des solvants ininflammables et non de l'essence. Ne pas approcher de cigarettes, étincelles ou flammes des pièces du système d'alimentation en carburant.

Ne pas oublier que c'est le concessionnaire Honda agréé qui connaît le mieux le moteur et qu'il est parfaitement outillé pour son entretien et sa réparation. Pour garantir la meilleure qualité et la meilleure fiabilité, n'utiliser que des pièces Honda authentiques neuves ou leur équivalent pour la réparation et le remplacement.

## PROGRAMME D'ENTRETIEN

| PERIODICITE D'ENTRETIEN (3)<br>Exécuter l'entretien selon la périodicité indiquée en mois ou en heures de fonctionnement, à la première des deux échéances. |                    | A chaque utilisation                         | Premier mois ou 20 h | Tous les 3 mois ou 50 h | Tous les 6 mois ou 100 h | Une fois par an ou 200 h | Se reporter à la page |
|-------------------------------------------------------------------------------------------------------------------------------------------------------------|--------------------|----------------------------------------------|----------------------|-------------------------|--------------------------|--------------------------|-----------------------|
| POSTE                                                                                                                                                       |                    |                                              |                      |                         |                          |                          |                       |
| Huile moteur                                                                                                                                                | Contrôle du niveau | o                                            |                      |                         |                          |                          | 7                     |
|                                                                                                                                                             | Renouvellement     |                                              | o                    |                         | o                        |                          | 8                     |
| Filtre à air                                                                                                                                                | Contrôle           | o                                            |                      |                         |                          |                          | 8                     |
|                                                                                                                                                             | Nettoyage          |                                              |                      | o (1)                   |                          |                          | 9                     |
|                                                                                                                                                             | Remplacement       |                                              |                      |                         |                          | o (1)                    |                       |
| Bougie                                                                                                                                                      | Contrôle-réglage   |                                              |                      |                         | o                        |                          | 9                     |
|                                                                                                                                                             | Remplacement       |                                              |                      |                         |                          | o                        |                       |
| Courroie de distribution                                                                                                                                    | Contrôle           | Toutes les 300 h (2) (4)                     |                      |                         |                          |                          | Manuel d'atelier      |
| Pare-étincelles (selon type)                                                                                                                                | Nettoyage          |                                              |                      |                         | o (5)                    |                          | 10                    |
| Régime de ralenti                                                                                                                                           | Contrôle-réglage   |                                              |                      |                         |                          | o (2)                    | Manuel d'atelier      |
| Jeu aux soupapes                                                                                                                                            | Contrôle-réglage   |                                              |                      |                         |                          | o (2)                    | Manuel d'atelier      |
| Chambre de combustion                                                                                                                                       | Nettoyage          | Toutes les 300 h (2)                         |                      |                         |                          |                          | Manuel d'atelier      |
| Réservoir de carburant et filtre                                                                                                                            | Nettoyage          |                                              |                      |                         | o (2)                    |                          | Manuel d'atelier      |
| Tuyau de carburant                                                                                                                                          | Contrôle           | Tous les 2 ans (remplacer si nécessaire) (2) |                      |                         |                          |                          | Manuel d'atelier      |

- (1) En cas d'utilisation dans des endroits poussiéreux, augmenter la fréquence d'entretien.
- (2) Confier l'entretien de ces points au concessionnaire réparateur à moins de disposer des outils appropriés et d'avoir les compétences requises en mécanique. Pour les procédures d'entretien, consulter le manuel d'atelier Honda.
- (3) Pour une utilisation commerciale, consigner le nombre d'heures de service afin de déterminer la périodicité d'entretien appropriée.
- (4) S'assurer que la courroie n'est pas fendillée ou ne présente pas une usure anormale et la remplacer si c'est le cas.
- (5) En Europe et dans les autres pays où la directive 2006/42/CE relative aux machines est en vigueur, ce nettoyage doit être effectué par le concessionnaire.

L'inobservation de ce programme d'entretien peut entraîner des problèmes non couverts par la garantie.

## REPLISSAGE EN CARBURANT

### Carburant recommandé

|                    |                                      |
|--------------------|--------------------------------------|
| Essence sans plomb |                                      |
| Etats-Unis         | Indice d'octane pompe 86 ou plus     |
| Hors Etats-Unis    | Indice d'octane recherche 91 ou plus |
|                    | Indice d'octane pompe 86 ou plus     |

Ce moteur est certifié pour fonctionner avec de l'essence sans plomb ayant un indice d'octane pompe d'au moins 86 (ou un indice d'octane recherche d'au moins 91).

Faire le plein dans un endroit bien ventilé, moteur arrêté. Si le moteur vient de tourner, le laisser d'abord se refroidir. Ne jamais faire le plein à l'intérieur d'un bâtiment où les vapeurs d'essence peuvent atteindre des flammes ou des étincelles.

Il est possible d'utiliser une essence sans plomb ne contenant pas plus de 10 % d'éthanol (E10) ou 5 % de méthanol en volume. Le méthanol doit contenir des cosolvants et des inhibiteurs de corrosion. L'utilisation de carburants ayant une teneur en éthanol ou méthanol supérieure à celle indiquée ci-dessus peut occasionner des problèmes de démarrage et/ou performances. Elle peut également endommager les pièces métalliques, en caoutchouc et en plastique du système d'alimentation en carburant. Les dommages au moteur ou problèmes de performances résultant de l'utilisation d'un carburant avec des pourcentages d'éthanol ou de méthanol supérieurs à ceux qui sont indiqués ci-dessus ne sont pas couverts par la garantie.

Si l'on ne compte utiliser l'équipement qu'occasionnellement ou par intermittence, consulter la section "Carburant" du chapitre "REMISAGE DU MOTEUR" (voir page 11) qui fournit des informations complémentaires sur la dégradation du carburant.

### ⚠ AVERTISSEMENT

Le carburant est hautement inflammable et explosif.

Vous risquez des brûlures ou de graves blessures en manipulant du carburant.

- Arrêter le moteur et le laisser refroidir avant de manipuler du carburant.
- Ne pas approcher de sources de chaleur, étincelles ou flammes.
- Manipuler le carburant uniquement à l'extérieur.
- Garder éloigné de votre véhicule.
- Essuyer immédiatement tout déversement.

### REMARQUE

Le carburant peut endommager la peinture et certains types de plastiques. Veiller à ne pas renverser de carburant lorsqu'on remplit le réservoir. Les dommages causés par du carburant renversé ne sont pas couverts par la Garantie limitée du distributeur.

Ne jamais utiliser de l'essence viciée ou contaminée ou un mélange d'huile/essence. Empêcher la pénétration de saleté ou eau dans le réservoir de carburant.

Faire le plein avec prudence en évitant de renverser du carburant. Avant de mettre le moteur en marche, le déplacer d'au moins 1 mètre de la source et du lieu d'approvisionnement.

Garder l'essence loin des veilleuses des appareils, barbecues, appareils électriques, outils électriques, etc.

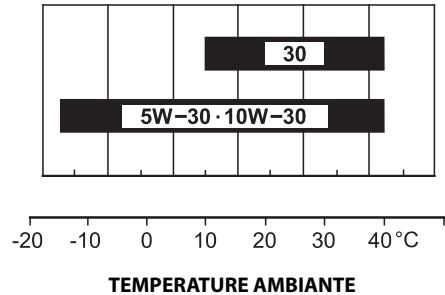
Le carburant renversé ne fait pas seulement courir des risques d'incendie ; il est également nuisible pour l'environnement. Essuyer immédiatement tout carburant renversé.

## HUILE MOTEUR

L'huile est un facteur déterminant pour la performance et la durée de service. Utiliser une huile détergente 4 temps pour automobile.

### Huile recommandée

Utiliser une huile moteur 4 temps répondant au minimum aux prescriptions pour la catégorie de service API SJ ou ultérieure (ou équivalente). Toujours vérifier l'étiquette de service API sur le bidon d'huile pour s'assurer qu'elle porte bien la mention SJ ou ultérieure (ou équivalente).



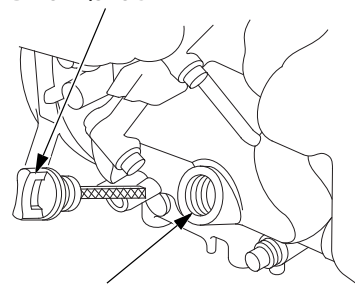
Une huile SAE 10W-30 est recommandée pour l'utilisation générale. Les autres viscosités indiquées dans le tableau peuvent être utilisées lorsque la température moyenne du lieu d'utilisation se trouve dans la plage indiquée.

### Vérification du niveau d'huile

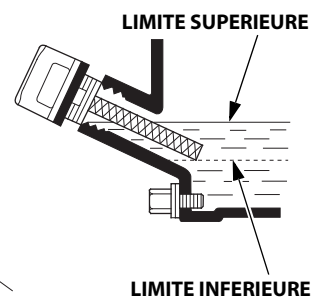
Vérifier le niveau d'huile du moteur avec le moteur arrêté et à l'horizontale.

1. Retirer le bouchon de remplissage d'huile/jauge et l'essuyer.
2. Introduire le bouchon de remplissage d'huile/jauge dans le goulot de remplissage d'huile comme sur la figure, sans le visser, puis le retirer pour vérifier le niveau d'huile.
3. Si le niveau d'huile est proche du repère de limite minimum de la jauge ou au-dessous, faire l'appoint d'huile recommandée jusqu'au repère de limite maximum (bord inférieur de l'orifice de remplissage d'huile). Ne pas trop remplir.
4. Visser le bouchon de remplissage d'huile/jauge à fond.

### BOUCHON DE REMPLISSAGE D'HUILE/JAUGE



### ORIFICE DE REMPLISSAGE D'HUILE (bord inférieur)



### REMARQUE

L'utilisation du moteur avec un niveau d'huile trop bas peut l'endommager. Ce type de dommage n'est pas couvert par la Garantie limitée du distributeur.

## Renouvellement d'huile

Vidanger l'huile usée alors que le moteur est chaud. La vidange s'effectue plus rapidement et plus complètement lorsque l'huile est chaude.

1. Placer un récipient approprié sous le moteur pour recueillir l'huile usée, puis retirer le bouchon de remplissage d'huile/jauge, le bouchon de vidange d'huile et la rondelle d'étanchéité.
2. Vidanger complètement l'huile usée, puis remettre le bouchon de vidange d'huile en place avec une rondelle d'étanchéité neuve et le serrer à fond.

**COUPLE DE SERRAGE:** 18 N·m

Se débarrasser de l'huile moteur usée d'une manière compatible avec l'environnement. Nous conseillons de la porter dans un récipient fermé à la déchetterie locale ou à une station-service pour qu'elle soit recyclée. Ne pas la jeter aux ordures ni la déverser dans la terre ou dans un égout.

3. Moteur à l'horizontale, remplir d'huile recommandée (voir page 7) jusqu'au repère de limite maximum (bord inférieur de l'orifice de remplissage d'huile).

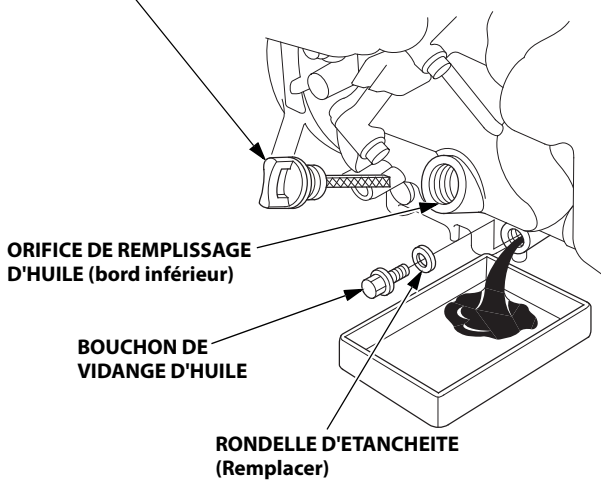
Capacité d'huile de moteur : 0.28 L

### REMARQUE

L'utilisation du moteur avec un niveau d'huile trop bas peut l'endommager. Ce type de dommage n'est pas couvert par la Garantie limitée du distributeur.

4. Visser le bouchon de remplissage d'huile/jauge à fond.

### BOUCHON DE REMPLISSAGE D'HUILE/JAUGE



Se laver les mains à l'eau savonneuse après manipulation de l'huile usagée.

## FILTRE A AIR

Un filtre à air sale restreint le passage d'air vers le carburateur et réduit ainsi les performances du moteur. Si l'on utilise le moteur dans des endroits très poussiéreux, nettoyer le filtre à air plus souvent qu'il n'est indiqué dans le PROGRAMME D'ENTRETIEN.

### REMARQUE

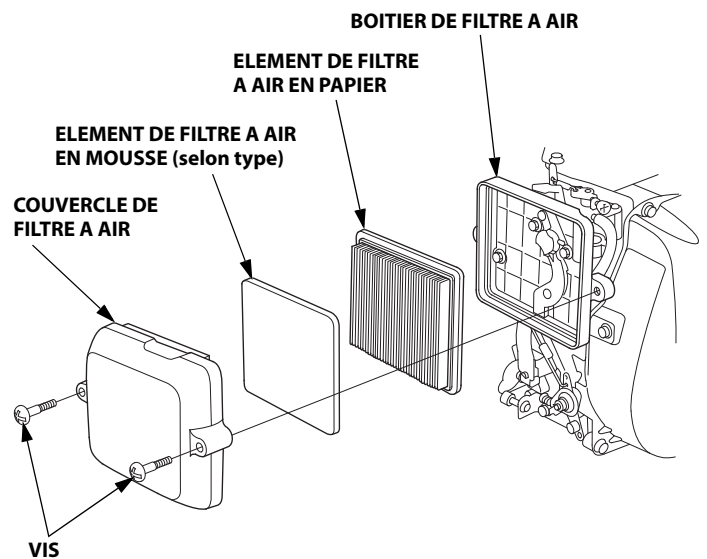
Si l'on utilise le moteur sans élément de filtre à air ou avec un élément de filtre à air endommagé, des saletés pénétreront dans le moteur qui s'usera alors rapidement. Ce type de dommage n'est pas couvert par la Garantie limitée du distributeur.

### Contrôle

Déposer les deux vis du couvercle de filtre à air. Contrôler les éléments de filtre à air. Nettoyer ou remplacer des éléments de filtre à air sales. Toujours remplacer des éléments de filtre à air endommagés.

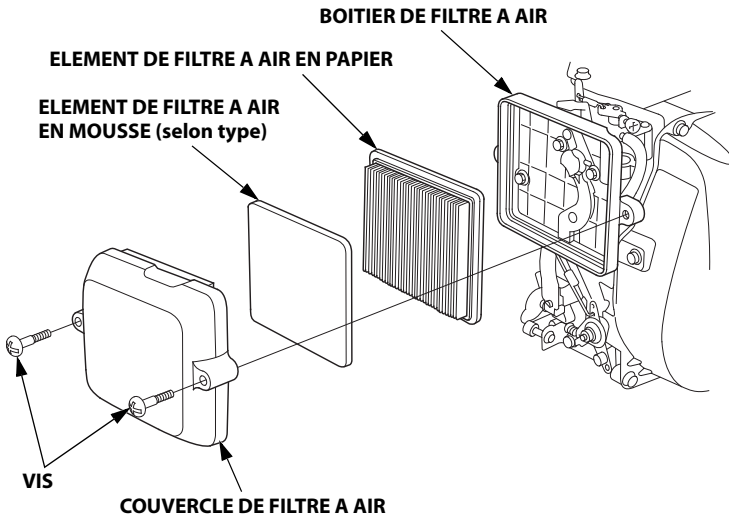
Pour les instructions de nettoyage, voir page 9.

Reposer les éléments de filtre à air et le couvercle de filtre à air.



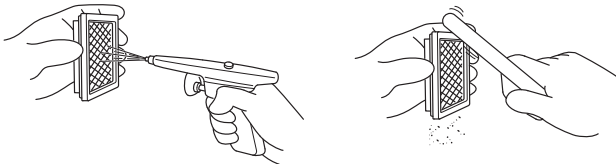
## Nettoyage

1. Retirer les deux vis du couvercle de filtre à air et déposer le couvercle.
2. Déposer l'élément de filtre à air en mousse du couvercle.
3. Déposer l'élément de filtre à air en papier du boîtier de filtre à air.

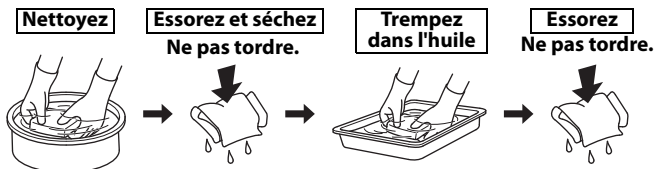


4. Contrôler les deux éléments du filtre à air et les remplacer s'ils sont endommagés. Toujours remplacer l'élément filtrant en papier aux intervalles prévus dans le programme d'entretien (voir page 6).
5. Nettoyer les éléments du filtre à air s'ils doivent être réutilisés.

Elément filtrant en papier : tapoter doucement l'élément de filtre à air en papier à plusieurs reprises sur une surface dure pour en détacher la saleté ou appliquer un jet d'air comprimé [207 kPa (2,1 kgf/cm<sup>2</sup>) maximum] à travers l'élément depuis le côté du boîtier filtre à air. Ne jamais essayer de faire partir la saleté avec une brosse ; ceci ne ferait qu'enfoncer la saleté dans les fibres. Remplacer l'élément de filtre à air en papier s'il est excessivement sale.



Elément de filtre à air en mousse : nettoyer l'élément dans de l'eau savonneuse chaude, le rincer et le laisser sécher complètement. On pourra également le nettoyer dans un solvant ininflammable, puis le laisser sécher. Ne pas mettre d'huile sur l'élément de filtre à air en mousse.



6. Essuyer la saleté à l'intérieur du boîtier et du couvercle de filtre à air à l'aide d'un chiffon humide. Veiller à ce que la saleté ne pénètre pas dans le conduit d'air menant au carburateur.
7. Placer l'élément de filtre à air en mousse sur le couvercle de filtre à air, puis reposer l'élément de filtre à air en papier et le couvercle sur le boîtier de filtre à air.
8. Reposer le couvercle de filtre à air et serrer les deux vis à fond.

## BOUGIE

**Bougies recommandées :** CR5HSB (NGK)  
U16FSR-UB (DENSO)

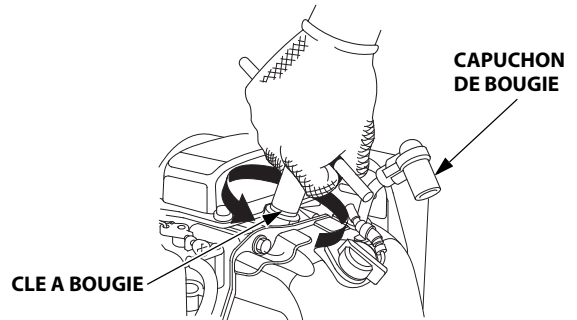
La bougie recommandée possède l'indice thermique correct pour des températures normales de fonctionnement du moteur.

### REMARQUE

*Une bougie incorrecte peut provoquer des dommages au moteur.*

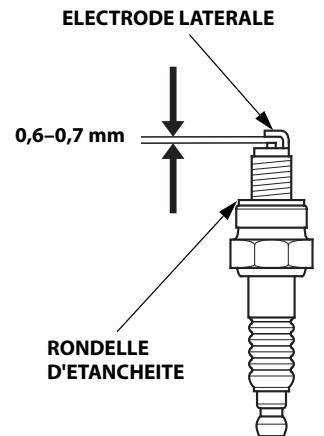
Pour que les performances soient bonnes, la bougie doit avoir un écartement des électrodes correct et ne pas être encrassée.

1. Déconnecter le capuchon de bougie et nettoyer toute saleté autour de la bougie.
2. Déposer la bougie avec une clé à bougie de 5/8 pouce.



3. Contrôler la bougie. La remplacer si elle est endommagée ou très encrassée, si sa rondelle d'étanchéité est en mauvais état ou si son électrode est usée.

4. Mesurer l'écartement des électrodes avec un calibre d'épaisseur à fils. Corriger l'écartement si nécessaire en pliant prudemment l'électrode latérale. L'écartement doit être de : 0,6-0,7 mm



5. Reposer la bougie avec précaution à la main pour éviter de foirer son filetage.
6. Lorsque la bougie a touché son siège, continuer à la serrer avec une clé à bougie de 5/8 pouce pour comprimer la rondelle d'étanchéité.
7. Si la bougie est neuve, la serrer de 1/2 tour après qu'elle a touché son siège pour comprimer la rondelle.
8. Lors de la réinstallation d'une bougie utilisée, serrer d'1/8 à 1/4 de tour une fois la bougie installée pour comprimer la rondelle.

**COUPLE DE SERRAGE:** 12 N·m

### REMARQUE

*Une bougie insuffisamment serrée peut surchauffer et endommager le moteur. Un serrage excessif de la bougie peut endommager le filetage dans la culasse.*

9. Fixer le capuchon de bougie sur la bougie.

## PARE-ÉTINCELLES (selon type)

En Europe et dans les autres pays où la directive 2006/42/CE relative aux machines est en vigueur, ce nettoyage doit être effectué par le concessionnaire.

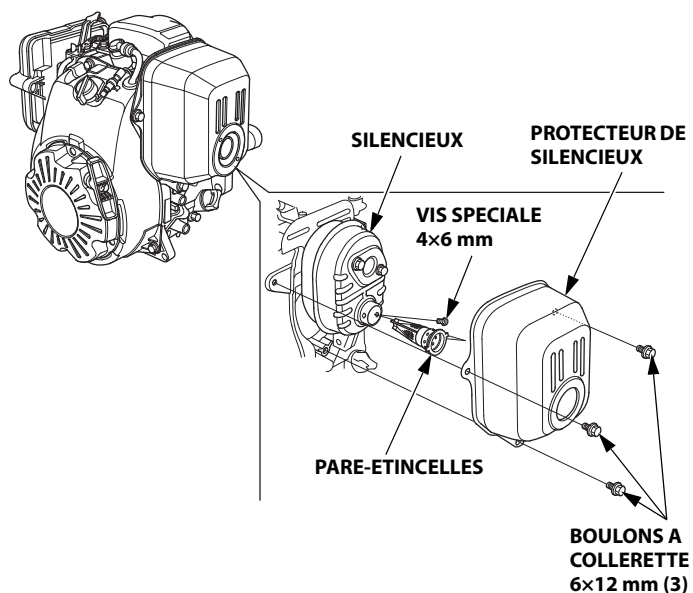
Ce moteur n'a pas été équipé d'un pare-étincelles en usine. Dans certaines zones, il n'est pas autorisé d'utiliser un moteur sans pare-étincelles. Se renseigner sur la réglementation locale. Un pare-étincelles est en vente chez les concessionnaires Honda agréés.

Le pare-étincelles doit être entretenu toutes les 100 heures pour pouvoir continuer à fonctionner de la manière prévue.

Si le moteur vient de tourner, le silencieux sera chaud. Le laisser se refroidir avant de contrôler le pare-étincelles.

### Dépose du pare-étincelles

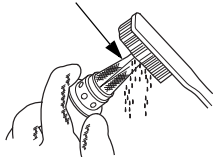
1. Retirer les trois boulons de 6 mm du protecteur de silencieux et déposer le protecteur de silencieux.
2. Retirer la vis spéciale du pare-étincelles et déposer le pare-étincelles du silencieux.



### Nettoyage et contrôle du pare-étincelles

1. Utiliser une brosse pour retirer la calamine de l'écran du pare-étincelles. Veiller à ne pas endommager l'écran. Remplacer le pare-étincelles s'il est cassé ou percé.
2. Reposer le pare-étincelles et le protecteur de silencieux dans l'ordre inverse du démontage.

#### ECRAN DE PARE-ÉTINCELLES





## CONSEILS ET SUGGESTIONS UTILES

### REMISAGE DU MOTEUR

#### Préparation au remisage

Une préparation au remisage appropriée est essentielle pour maintenir le moteur en bon état de fonctionnement et lui conserver son bel aspect. Les opérations suivantes contribueront à empêcher que la rouille et la corrosion n'affectent le fonctionnement et l'aspect du moteur et à faciliter le démarrage du moteur lors de sa remise en service.

#### Nettoyage

Si le moteur vient de tourner, le laisser se refroidir pendant au moins une demi-heure avant le nettoyage. Nettoyer toutes les surfaces extérieures, faire les retouches de peinture nécessaires et enduire toutes les parties susceptibles de rouiller d'une légère couche d'huile.

#### REMARQUE

*L'utilisation d'un tuyau d'arrosage ou d'un dispositif de lavage sous pression peut faire pénétrer de l'eau dans le filtre à air ou dans l'ouverture du silencieux. L'eau dans le filtre à air imbibé alors l'élément filtrant, et l'eau qui traverse l'élément filtrant ou le silencieux peut pénétrer dans le cylindre et causer des dommages.*

### Carburant

#### REMARQUE

*Selon le lieu d'utilisation de l'équipement, le carburant peut se dégrader et s'oxyder rapidement. La dégradation et l'oxydation du carburant peuvent se produire en seulement 30 jours et provoquer des dommages au carburateur et/ou système d'alimentation en carburant. Pour les recommandations sur le remisage local, se renseigner auprès du concessionnaire.*

L'essence s'oxyde et se dégrade lors du remisage. Une essence dégradée rend le démarrage difficile et laisse des dépôts de gomme susceptibles de boucher le système d'alimentation en carburant. Si l'essence dans le moteur se dégrade pendant le remisage, une intervention sur le carburateur et d'autres pièces du système d'alimentation en carburant ou leur remplacement peut être nécessaire.

Le temps que l'essence peut rester dans votre réservoir de carburant et dans le carburateur sans causer de problèmes de fonctionnement peut varier en fonction de facteurs tels que les mélanges d'essence, les températures de stockage, et si le réservoir de carburant est partiellement ou complètement rempli. L'air dans un réservoir de carburant partiellement rempli favorise la dégradation du carburant. Des températures de stockage très élevées accélèrent la détérioration du carburant. Des problèmes de dégradation du carburant peuvent survenir après quelques mois ou même plus rapidement si l'essence n'était pas fraîche lorsqu'on a fait le plein.

Les dommages du système d'alimentation en carburant ou les problèmes de performances du moteur qui résultent d'une mauvaise préparation au remisage ne sont pas couverts par la *Garantie limitée du distributeur*.

On peut prolonger la durée de vie du carburant lors du remisage en ajoutant un stabilisateur d'essence spécialement formulé à cet effet ou l'on peut éviter les problèmes de dégradation du carburant en vidangeant le réservoir de carburant et le carburateur.

#### Ajout d'un stabilisateur d'essence pour prolonger la durée de stockage du carburant

Lorsqu'on ajoute un stabilisateur d'essence, remplir le réservoir de carburant avec de l'essence fraîche. Si le réservoir n'est que partiellement rempli, l'air à l'intérieur favorise la dégradation du carburant pendant le remisage. Si l'on garde un bidon d'essence pour le ravitaillement, veiller à ce qu'il ne contienne que de l'essence fraîche.

1. Ajouter le stabilisateur d'essence en suivant les instructions du fabricant.
2. Après avoir ajouté le stabilisateur d'essence, faire tourner le moteur à l'extérieur pendant 10 minutes pour être sûr que l'essence traitée a remplacé l'essence non traitée dans le carburateur.
3. Arrêter le moteur.

### Vidange du réservoir de carburant et du carburateur

#### ⚠ AVERTISSEMENT

Le carburant est hautement inflammable et explosif.

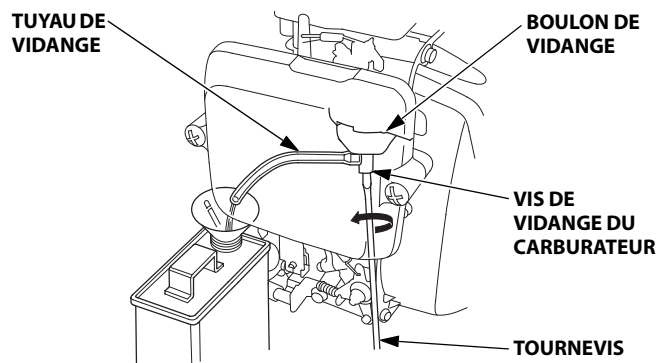
Vous risquez des brûlures ou de graves blessures en manipulant du carburant.

- Arrêter le moteur et le laisser refroidir avant de manipuler du carburant.
- Ne pas approcher de sources de chaleur, étincelles ou flammes.
- Manipuler le carburant uniquement à l'extérieur.
- Garder éloigné de votre véhicule.
- Essuyer immédiatement tout déversement.

1. Vidanger le réservoir de carburant en suivant les instructions du fabricant de l'équipement.

(Type à flotteur uniquement)

2. Placer un récipient d'essence agréé sous le carburateur et utiliser un entonnoir pour ne pas renverser de carburant.
3. Desserrer la vis de vidange du carburateur et vidanger le carburateur dans un récipient à essence agréé. Après la vidange, serrer la vis de vidange du carburateur à fond.



### Huile moteur

1. Renouveler l'huile moteur (voir page 8).
2. Déposer la bougie (voir page 9).
3. Verser une cuillère à café, soit 5 à 10 cm<sup>3</sup>, d'huile moteur propre dans le cylindre.
4. Tirer la poignée de lancement à plusieurs reprises pour distribuer l'huile dans le cylindre.
5. Reposer la bougie.
6. Tirer progressivement la corde de lancement jusqu'à ce que l'on sente une résistance. Ceci ferme les soupapes pour empêcher l'humidité de pénétrer dans le cylindre du moteur. Ramener doucement la poignée de lancement en arrière.

### Précautions de remisage

Si l'on remise le moteur avec de l'essence dans le réservoir de carburant et le carburateur, il est important de réduire les risques d'inflammation des vapeurs d'essence. Choisir une zone de remisage bien aérée loin de tout appareil à flamme tel que fourneau, chauffe-eau ou séchoir à linge. Eviter également un endroit où un moteur électrique produisant des étincelles ou des outils électriques sont utilisés.

Eviter dans la mesure du possible des zones de remisage très humides car ceci favorise la rouille et la corrosion.

Garder le moteur à l'horizontale lors du remisage. Une inclinaison peut provoquer des fuites de carburant ou d'huile.

Sauf si le carburant a été vidangé du réservoir de carburant, laisser le robinet de carburant et l'orifice de mise à l'air libre du bouchon de remplissage de carburant sur la position FERME ou ARRET pour réduire les risques de fuites de carburant.

Alors que le moteur et le système d'échappement sont froids, couvrir le moteur pour le protéger contre la poussière. Un moteur ou un système d'échappement chaud peut enflammer ou faire fondre certaines matières. Ne pas utiliser une feuille en plastique pour la protection contre la poussière. Une bâche non poreuse emprisonne l'humidité autour du moteur et favorise la rouille et la corrosion.

### Fin du remisage

Vérifier le moteur comme il est indiqué à la section *CONTROLES AVANT L'UTILISATION* de ce manuel (voir page 3).

Si le carburant a été vidangé lors de la préparation au remisage, remplir le réservoir avec de l'essence fraîche. Si l'on garde un bidon d'essence pour le ravitaillement, veiller à ce qu'il ne contienne que de l'essence fraîche. L'essence s'oxyde et se dégrade avec le temps, ce qui rend le démarrage difficile.

Si le cylindre a été enduit d'huile lors de la préparation au remisage, le moteur fume brièvement au démarrage. Ceci est normal.

### TRANSPORT

Si le moteur vient de tourner, le laisser se refroidir pendant au moins 15 minutes avant de le remiser ou de le charger sur le véhicule de transport. Un moteur ou un silencieux chaud peut provoquer des brûlures et enflammer certaines matières.

Garder le moteur à l'horizontale lors du transport pour réduire les risques de fuites de carburant.

Si le réservoir de carburant est doté d'un robinet de carburant et/ou d'une soupape de mise à l'air libre du bouchon de remplissage de carburant, les placer sur la position FERME ou ARRET.

## EN CAS DE PROBLEME INATTENDU

### LE MOTEUR NE DEMARRE PAS

| Cause possible                                                                                                                        | Remède                                                                                                                                 |
|---------------------------------------------------------------------------------------------------------------------------------------|----------------------------------------------------------------------------------------------------------------------------------------|
| Starter ouvert.                                                                                                                       | Placer le levier sur la position FERME à moins que le moteur ne soit chaud.                                                            |
| Contacteur moteur sur ARRET.                                                                                                          | Placer le contacteur moteur sur la position MARCHE.                                                                                    |
| Niveau d'huile moteur insuffisant.                                                                                                    | Faire l'appoint avec l'huile recommandée jusqu'au niveau voulu (p. 7).                                                                 |
| Absence de carburant.                                                                                                                 | Faire le plein de carburant (p. 7).                                                                                                    |
| Carburant de mauvaise qualité, moteur remisé sans traiter ou vidanger l'essence, ou remplissage avec une essence de mauvaise qualité. | Vidanger le réservoir de carburant et le carburateur (p. 11). Remplir d'essence fraîche (p. 7).                                        |
| Bougie défectueuse, encrassée ou mauvais écartement des électrodes.                                                                   | Régler l'écartement ou remplacer la bougie (p. 9).                                                                                     |
| Bougie noyée par le carburant (moteur noyé).                                                                                          | Sécher puis reposer la bougie. Démarrer le moteur avec le levier des gaz en position MAXI. et le levier de starter en position OUVERT. |
| Filtre à carburant colmaté, anomalie de fonctionnement du carburateur ou de l'allumage, soupapes gommées, etc.                        | Apporter le moteur au concessionnaire réparateur ou se reporter au manuel d'atelier.                                                   |

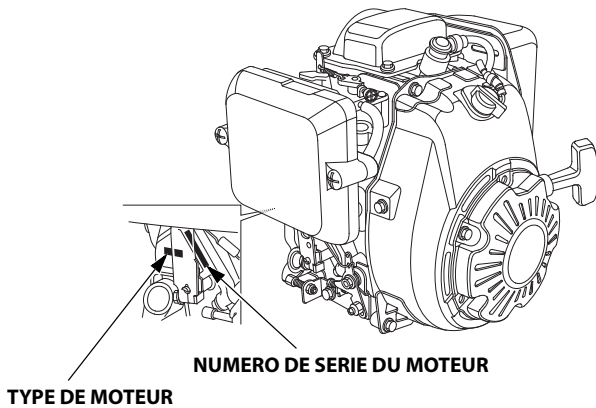
### LE MOTEUR MANQUE DE PUISSANCE

| Cause possible                                                                                                                        | Remède                                                                                          |
|---------------------------------------------------------------------------------------------------------------------------------------|-------------------------------------------------------------------------------------------------|
| Elément(s) filtrant(s) colmaté(s).                                                                                                    | Nettoyer ou remplacer les éléments filtrants colmatés (p. 9).                                   |
| Carburant de mauvaise qualité, moteur remisé sans traiter ou vidanger l'essence, ou remplissage avec une essence de mauvaise qualité. | Vidanger le réservoir de carburant et le carburateur (p. 11). Remplir d'essence fraîche (p. 7). |
| Filtre à carburant colmaté, anomalie de fonctionnement du carburateur ou de l'allumage, soupapes gommées, etc.                        | Apporter le moteur au concessionnaire réparateur ou se reporter au manuel d'atelier.            |

## INFORMATIONS TECHNIQUES

### Emplacement du numéro de série

Noter le numéro de série du moteur, le type et la date d'achat dans les espaces ci-dessous. Ces informations seront nécessaires pour la commande de pièces et les demandes de renseignements techniques ou de garantie.



Numéro de série du moteur : \_\_\_\_\_

Type de moteur : \_\_\_\_\_

Date d'achat : \_\_\_\_ / \_\_\_\_ / \_\_\_\_

### Modifications du carburateur pour une utilisation à haute altitude

En haute altitude, le mélange air-carburant standard du carburateur s'enrichit excessivement. Les performances du moteur diminuent et la consommation de carburant augmente. Un mélange très riche encrasse également la bougie et rend le démarrage difficile. Une utilisation prolongée à des altitudes différentes de celles pour lesquelles ce moteur a été certifié peut entraîner une augmentation des émissions polluantes.

On peut améliorer les performances en haute altitude en effectuant certaines modifications sur le carburateur. Si l'on utilise toujours le moteur à des altitudes supérieures à 610 mètres, demander au concessionnaire d'effectuer ces modifications du carburateur. Lors d'une utilisation en haute altitude, le moteur satisfera aux normes antipollution pendant toute sa durée de service si les modifications du carburateur pour une utilisation en haute altitude ont été effectuées.

Même avec un carburateur modifié, la puissance du moteur diminuera d'environ 3,5 % pour chaque augmentation d'altitude de 300 mètres. Si le carburateur n'est pas modifié, l'effet de l'altitude sur la puissance sera encore plus important.

#### REMARQUE

*Lorsque le carburateur a été modifié pour une utilisation à haute altitude, le mélange air-carburant est trop pauvre pour une utilisation à basse altitude. L'utilisation à des altitudes inférieures à 610 mètres avec un carburateur modifié peut provoquer une surchauffe du moteur et entraîner d'importants dommages au moteur. Pour une utilisation à basse altitude, faire remettre le carburateur aux spécifications d'usine d'origine par le concessionnaire.*

## INFORMATIONS RELATIVES AU SYSTÈME ANTIPOLLUTION

### Sources d'émissions

La combustion du carburant s'accompagne d'un rejet de monoxyde de carbone, d'oxydes d'azote et d'hydrocarbures. Il est très important de contrôler les hydrocarbures et les oxydes d'azote car, dans certaines conditions, ces substances réagissent à la lumière du soleil pour former un brouillard photochimique. Le monoxyde de carbone ne réagit pas de la même manière, mais il est toxique.

Honda utilise des rapports air/carburant appropriés et d'autres systèmes antipollution pour réduire les émissions de monoxyde de carbone, d'oxydes d'azote et d'hydrocarbures.

En outre, les systèmes d'alimentation en carburant de Honda font appel à des composants et à des technologies de contrôle permettant de réduire les émissions par évaporation.

### Les Clean Air Acts des États-Unis et de la Californie, et Environnement et Changement climatique Canada (ECCC)

Les réglementations de l'agence EPA des États-Unis, de la Californie et du Canada obligent tous les fabricants à fournir des instructions écrites décrivant le fonctionnement et l'entretien des systèmes antipollution.

Les instructions et procédures suivantes doivent être respectées afin que les émissions de votre moteur Honda restent conformes aux normes antipollution.

### Falsification et modification

#### REMARQUE

*La falsification est une violation de la législation fédérale et de Californie.*

La falsification ou la modification du système antipollution peut entraîner une augmentation des émissions au-delà de la limite légale. Parmi les actes considérés comme une falsification, nous trouvons :

- le retrait ou la modification de n'importe quelle pièce des systèmes d'admission, d'alimentation en carburant ou d'échappement ;
- les modifications susceptibles de faire fonctionner le moteur au-delà de ses paramètres de conception.

### Problèmes pouvant affecter les émissions

Si vous décelez l'un des symptômes suivants, faites inspecter et réparer votre moteur par votre concessionnaire agréé Honda Power Equipment.

- Démarrage difficile ou calage après le démarrage
- Ralenti irrégulier
- Défaut d'allumage ou retour de flamme sous charge
- Postcombustion (retour de flamme)
- Fumée d'échappement noire ou consommation de carburant élevée

## Pièces de rechange

Les systèmes antipollution de votre nouveau moteur Honda ont été conçus, fabriqués et homologués conformément à la réglementation antipollution de l'EPA (agence américaine de protection de l'environnement), de la Californie (modèles certifiés pour la vente en Californie uniquement) et du Canada.

Nous recommandons l'utilisation de pièces d'origine Honda à chaque entretien. Ces pièces de rechange ont la conception d'origine et sont fabriquées en appliquant les mêmes normes que les pièces initiales, ce qui garantit la fiabilité de leurs performances. Honda ne peut refuser la couverture par la garantie des dispositifs antipollution au seul motif que des pièces de rechange d'une autre marque que Honda ont été utilisées ou que l'entretien n'a pas été effectué par un concessionnaire Honda agréé ; vous pouvez utiliser des pièces comparables certifiées par l'EPA et faire effectuer l'entretien ailleurs que chez des concessionnaires Honda. Cependant, l'utilisation de pièces de rechange n'ayant pas la conception et la qualité d'origine peut nuire à l'efficacité du système antipollution.

Le fabricant d'une pièce du marché des pièces de rechange engage sa responsabilité quant au fait que cette pièce n'aura pas d'effet néfaste sur les performances antipollution. Le fabricant ou le constructeur de la pièce doit certifier que l'utilisation de cette pièce n'empêchera pas le moteur de se conformer à la réglementation sur la pollution.

## Entretien

En tant que propriétaire du moteur, vous êtes responsable de la réalisation des tâches d'entretien décrites dans votre manuel de l'utilisateur. Honda vous recommande de conserver tous les reçus de paiement des tâches d'entretien réalisées sur votre moteur, mais Honda ne peut pas refuser la couverture de garantie uniquement pour manque de reçus ou pour votre manquement à la réalisation de toutes les tâches d'entretien prévues.

Respectez le « PROGRAMME D'ENTRETIEN » de la page 6.

N'oubliez pas que ce programme présuppose que votre moteur Honda sera utilisé pour l'application pour laquelle il est prévu. Une utilisation prolongée sous une charge ou une température élevée ou dans des conditions poussiéreuses demande un entretien plus fréquent.

## Indice atmosphérique

### (Modèles certifiés pour la vente en Californie)

Une étiquette d'informations sur l'indice atmosphérique est apposée sur les moteurs certifiés pour une période d'endurance des pièces antipollution conformément aux exigences du California Air Resources Board.

Le graphique en barres veille à ce que vous, notre client, puissiez comparer les performances antipollution des moteurs disponibles. Plus l'indice atmosphérique est faible, moins la pollution est importante.

La description de l'endurance est conçue pour vous fournir des informations relatives à la période d'endurance des pièces antipollution du moteur. Le terme descriptif indique la durée de vie utile du système antipollution du moteur. Consultez votre « GARANTIE DU SYSTÈME ANTIPOLLUTION » (voir page 14) pour en savoir plus.

| Terme descriptif | Applicable à la période d'endurance des pièces antipollution                                                                        |
|------------------|-------------------------------------------------------------------------------------------------------------------------------------|
| Modérée          | 50 heures (0-80 cm <sup>3</sup> compris)<br>125 heures (plus de 80 cm <sup>3</sup> )                                                |
| Intermédiaire    | 125 heures (0-80 cm <sup>3</sup> compris)<br>250 heures (plus de 80 cm <sup>3</sup> )                                               |
| Étendue          | 300 heures (0-80 cm <sup>3</sup> compris)<br>500 heures (plus de 80 cm <sup>3</sup> )<br>1 000 heures (225 cm <sup>3</sup> et plus) |

## GARANTIE DU SYSTÈME ANTIPOLLUTION

Votre moteur Honda Power Equipment est conçu, fabriqué et équipé pour respecter les normes antipollution de l'EPA des États-Unis, d'Environnement Canada et du California Air Resources Board (modèles certifiés pour la vente en Californie uniquement) pour les moteurs à allumage par étincelle. American Honda Motor fournit une couverture de la garantie antipollution pour les moteurs aux États-Unis et ses territoires. Honda Canada fournit la garantie antipollution pour les moteurs dans les 13 provinces et territoires du Canada.

### Couverture de la garantie

Les moteurs Honda Power Equipment certifiés selon les réglementations antipollution de l'EPA des États-Unis, d'Environnement Canada et de l'état de Californie (modèles certifiés pour la vente en Californie uniquement) sont couverts par cette garantie comme étant exempts de tout défaut de matériau et de fabrication susceptible d'entraver leur conformité aux exigences antipollution applicables de l'EPA des États-Unis, du CARB et du Canada pendant un minimum de 2 ans ou pendant la durée de la garantie limitée du distributeur de Honda Power Equipment, la plus longue étant celle qui prévaut, à compter de la date d'origine de livraison à l'acheteur au détail. Cette garantie est transférable à chaque tiers acquéreur pendant la durée de la période de garantie. Les réparations de garantie seront effectuées gratuitement pour le diagnostic, les pièces et la main d'œuvre. Pour plus d'informations sur la manière d'effectuer une réclamation de garantie et pour obtenir une description de la manière dont une réclamation peut être effectuée et/ou comment un service peut être fourni, contactez un concessionnaire agréé Honda Power Equipment ou contactez-nous aux coordonnées suivantes :

American Honda

Courriel : [powerequipmentemissions@ahm.honda.com](mailto:powerequipmentemissions@ahm.honda.com)

Téléphone : (888) 888-3139

Honda Canada

Téléphone : (888) 946-6329

Les composants couverts incluent tous les composants du moteur dont la panne augmenterait ses émissions de vapeurs de carburant ou de tout polluant réglementé. Une liste des composants spécifiques est incluse dans la déclaration de garantie antipollution fournie séparément.

Les termes spécifiques de la garantie, sa couverture, ses limitations et la manière de demander un service de garantie sont également décrits dans la déclaration de garantie antipollution fournie séparément. La déclaration de garantie antipollution est également mise à disposition sur le site Web de Honda Power Equipment ou sous le lien suivant :

<http://powerequipment.honda.com/support/warranty>

## Spécifications

### Type KRE (type de base)

|                                                       |                                                         |
|-------------------------------------------------------|---------------------------------------------------------|
| Longueur×largeur×hauteur                              | 266×306×290 mm                                          |
| Masse à sec [poids]                                   | 10,9 kg                                                 |
| Type de moteur                                        | Monocylindre 4 temps à arbre à cames en tête            |
| Cylindrée [alésage×course]                            | 98,5 cm <sup>3</sup><br>[56,0×40,0 mm]                  |
| Puissance nette (conformément à la norme SAE J1349*)  | 2,1 kW (2,9 PS) à 3 600 min <sup>-1</sup> (tr/min)      |
| Couple net maxi. (conformément à la norme SAE J1349*) | 5,7 N·m (0,58 kgf·m) à 3 600 min <sup>-1</sup> (tr/min) |
| Contenance en huile moteur* <sup>1</sup>              | 0,28 L                                                  |
| Refroidissement                                       | Forcé par circulation d'air                             |
| Allumage                                              | Magnéto à transistors                                   |
| Rotation de l'arbre de prise de force                 | Sens contraire des aiguilles d'une montre               |

\* 1 : Lorsque l'angle de montage pour compacteur est de 15°.

\* La puissance nominale du moteur indiquée dans ce document est la puissance de sortie nette testée sur un moteur de série de ce modèle et mesurée conformément à SAE J1349 à 3 600 min<sup>-1</sup> (tr/min) (puissance nette) et à 3 600 min<sup>-1</sup> (tr/min) (couple net maxi). Les moteurs produits en série peuvent s'écarter de cette valeur.  
La puissance de sortie réelle lorsque le moteur est installé dans la machine finale variera en fonction de plusieurs facteurs, y compris la vitesse de fonctionnement du moteur pendant l'utilisation, les conditions environnementales, la maintenance et autres variables.

### Caractéristiques de mise au point

| POSTE                      | SPECIFICATION                            | ENTRETIEN                                   |
|----------------------------|------------------------------------------|---------------------------------------------|
| Ecartement des électrodes  | 0,6–0,7 mm                               | Se reporter à la page 9                     |
| Régime de ralenti          | 1 850±150 min <sup>-1</sup> (tr/min)     | Se reporter au manuel d'atelier             |
| Jeu aux soupapes (à froid) | ADM : 0,15±0,04 mm<br>ECH : 0,20±0,04 mm | Consulter votre concessionnaire Honda agréé |
| Autres caractéristiques    | Aucun autre réglage n'est requis.        |                                             |

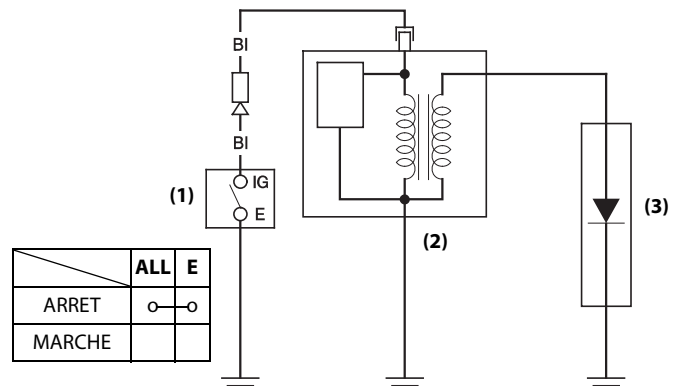
### Informations de référence rapide

|                                                                      |                                                                                                                                                                                 |                                      |
|----------------------------------------------------------------------|---------------------------------------------------------------------------------------------------------------------------------------------------------------------------------|--------------------------------------|
| Carburant                                                            | Essence sans plomb (se reporter à la page 7)                                                                                                                                    |                                      |
|                                                                      | Etats-Unis                                                                                                                                                                      | Indice d'octane pompe 86 ou plus     |
|                                                                      | Hors Etats-Unis                                                                                                                                                                 | Indice d'octane recherche 91 ou plus |
| Huile moteur                                                         | SAE 10W-30, API SJ ou ultérieure, pour usage général.<br>Se reporter à la page 7.                                                                                               |                                      |
| Bougie                                                               | CR5HSB (NGK)<br>U16FSR-UB (DENSO) (se reporter à la page 9)                                                                                                                     |                                      |
| Entretien                                                            | Avant chaque utilisation :                                                                                                                                                      |                                      |
|                                                                      | <ul style="list-style-type: none"> <li>• Contrôler le niveau d'huile moteur. Se reporter à la page 7.</li> <li>• Contrôler le filtre à air. Se reporter à la page 8.</li> </ul> |                                      |
|                                                                      | Aux 20 premières heures :<br>Changer l'huile moteur. Se reporter à la page 8.                                                                                                   |                                      |
| Par la suite :<br>Se reporter au programme d'entretien de la page 6. |                                                                                                                                                                                 |                                      |

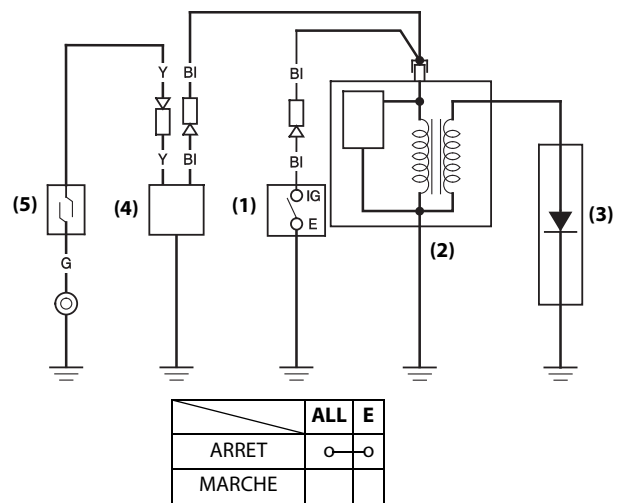
## Schéma de câblage

Le schéma de câblage peut être différent selon le type.

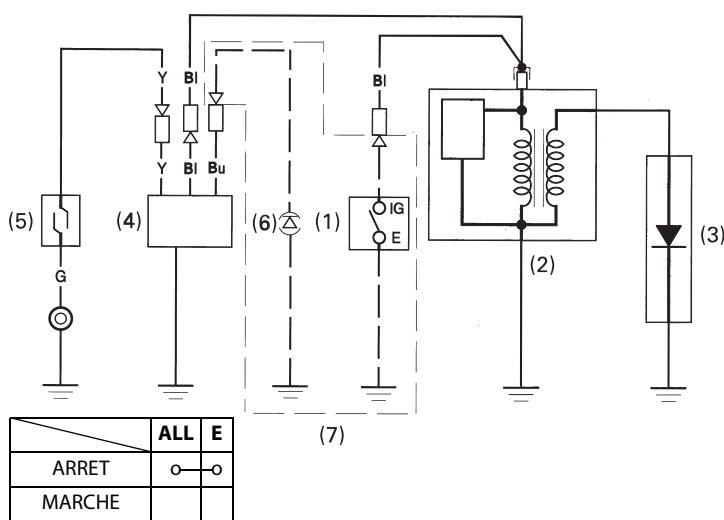
### Sans Oil Alert



### Avec Oil Alert



## Avec Oil Alert et DEL



- (1) CONTACTEUR MOTEUR (5) CONTACTEUR DE NIVEAU D'HUILE  
 (2) BOBINE D'ALLUMAGE (6) DEL  
 (3) BOUGIE (7) PIECES EQUIPEMENTIERS  
 (4) UNITE OIL ALERT

|    |       |    |            |
|----|-------|----|------------|
| Bl | Noir  | Br | Marron     |
| Y  | Jaune | O  | Orange     |
| Bu | Bleu  | Lb | Bleu clair |
| G  | Vert  | Lg | Vert clair |
| R  | Rouge | P  | Rose       |
| W  | Blanc | Gr | Gris       |

## INFORMATION DU CONSOMMATEUR

### INFORMATIONS SUR LE LOCALISATEUR DE DISTRIBUTEURS/ CONCESSIONNAIRES

#### Etats-Unis, Porto Rico et Iles vierges américaines :

Rendez-vous sur notre site Web : [www.honda-engines.com](http://www.honda-engines.com)

#### Canada :

Appelez le (888) 9HONDA9  
 ou rendez-vous sur notre site Web : [www.honda.ca](http://www.honda.ca)

#### Pour la zone européenne :

Rendez-vous sur notre site Web : <http://www.honda-engines-eu.com>

#### Australie :

Appelez le (03) 9270 1348  
 ou rendez-vous sur notre site Web : [www.hondampe.com.au](http://www.hondampe.com.au)

### INFORMATIONS D'ENTRETIEN POUR LE CLIENT

Le personnel des concessionnaires compte des professionnels qualifiés. Il devrait pouvoir répondre à toutes vos questions. Si le concessionnaire ne résout pas votre problème de manière satisfaisante, adressez-vous à la direction de la concession. Le responsable du service après-vente, le directeur général ou le propriétaire pourra vous aider. Presque tous les problèmes se résolvent de cette manière.

#### Etats-Unis, Porto Rico et Iles vierges américaines :

Si vous n'êtes pas satisfait de la décision prise par la direction de la concession, adressez-vous au distributeur régional de moteurs Honda de votre région.

Si vous n'êtes toujours pas satisfait après avoir parlé au distributeur régional de moteurs, vous pourrez vous adresser au bureau Honda indiqué.

#### Toutes les autres zones :

Si vous n'êtes pas satisfait de la décision prise par la direction de la concession, adressez-vous au bureau Honda indiqué.

#### « Bureau Honda »

Lorsque vous écrivez ou appelez, veuillez fournir les informations suivantes :

- Nom du fabricant et numéro de modèle de l'équipement sur lequel est monté le moteur
- Modèle, numéro de série et type du moteur (voir page 13)
- Nom du concessionnaire vous ayant vendu le moteur
- Nom, adresse et personne à contacter du concessionnaire assurant le service après-vente de votre moteur
- Date d'achat
- Vos nom, adresse et numéro de téléphone
- Description détaillée du problème

#### Etats-Unis, Porto Rico et Iles vierges américaines :

##### American Honda Motor Co., Inc.

Power Equipment Division  
 Customer Relations Office  
 4900 Marconi Drive  
 Alpharetta, GA 30005-8847

Ou téléphone :

(770) 497-6400

(888) 888-3139 sans frais

M-F 9:00 - 19:30 ET

#### Canada :

##### Honda Canada, Inc.

Rendez-vous sur [www.honda.ca](http://www.honda.ca)  
 pour obtenir nos coordonnées

Téléphone : (888) 9HONDA9 Appel gratuit  
 (888) 946-6329

Télécopie : (877) 939-0909 Appel gratuit

#### Australie :

##### Honda Australia Motorcycle and Power Equipment Pty. Ltd.

1954-1956 Hume Highway  
 Campbellfield Victoria 3061

Téléphone : (03) 9270 1111

Télécopie : (03) 9270 1133

#### Pour la zone européenne :

##### Honda Motor Europe Logistics NV.

European Engine Center

<http://www.honda-engines-eu.com>

#### Toutes les autres zones :

S'adresser au distributeur Honda local pour toute assistance.

# HONDA



## INTRODUCCIÓN

¡Gracias por comprar un motor Honda! Nos gustaría ayudarle a obtener los mejores resultados con su nuevo motor y a operarlo con seguridad. Este manual contiene información para ello; léalo detenidamente antes de poner en funcionamiento el motor. En caso de encontrarse con algún problema, o si tiene alguna pregunta sobre su motor, consulte a un concesionario de servicio Honda autorizado.

Toda la información de esta publicación se basa en la información más reciente disponible en el momento de la impresión. Honda Motor Co., Ltd. se reserva el derecho a efectuar cambios en cualquier momento sin previo aviso y sin incurrir en ningún tipo de obligación. No se permite la reproducción de ninguna parte de esta publicación sin permiso por escrito.


Este manual debe considerarse como una parte permanente del motor y debe permanecer con el motor en caso de reventa.

Revise las instrucciones suministradas con el equipo que funcionará con este motor para encontrar información adicional sobre la puesta en marcha del motor, parada, operación, ajustes, o instrucciones especiales para el mantenimiento.

Estados Unidos, Puerto Rico, e Islas Vírgenes Estadounidenses:  
Le aconsejamos que lea el contrato de garantía para que comprenda su alcance y sus responsabilidades de propiedad. El contrato de garantía es un documento independiente que le habrá entregado su concesionario.

## MENSAJES DE SEGURIDAD

Su seguridad y la de los demás son muy importantes. Hemos incluido mensajes de seguridad importantes en este manual y en el motor. Lea detenidamente estos mensajes.

Un mensaje de seguridad le avisa sobre los peligros potenciales que podrían causarle lesiones a usted y a los demás. Cada mensaje de seguridad viene precedido por un símbolo de alerta de seguridad  y una de las tres palabras, PELIGRO, ADVERTENCIA o ATENCION.

Estas palabras de indicación significan:

 **PELIGRO**

MUERTE o LESIONES GRAVES SEGURAS en caso de no seguir las instrucciones.

 **ADVERTENCIA**

POSIBILIDAD de MUERTE o de LESIONES GRAVES en caso de no seguir las instrucciones.

 **ATENCION**

POSIBILIDAD de LESIONES en caso de no seguir las instrucciones.

Cada mensaje le explica en qué consiste el peligro, lo que puede suceder, y lo que usted debe hacer para evitar las heridas o para reducirlas.

## MENSAJES PARA PREVENCIÓN DE DAÑOS

Encontrará también otros mensajes importantes que vienen precedidos por la palabra AVISO.

Esta palabra significa:

 **AVISO**

Pueden producirse daños en el motor o en otros bienes si no sigue las instrucciones.

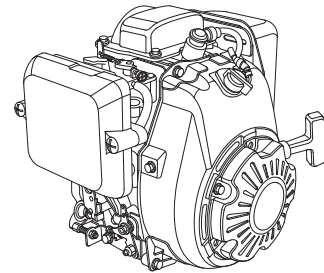
Este libro contiene abundante información de seguridad: léala atentamente.

# HONDA

## MANUAL DEL PROPIETARIO

### GX100

PARA COMPACTADORAS DE TIPO MARTILLO NEUMÁTICO



## ADVERTENCIA:

Los gases de escape de este producto contienen agentes químicos que, según el Estado de California, causan cáncer, defectos de nacimiento u otros efectos perjudiciales reproductivos.

ESPAÑOL

## CONTENIDO

|                                |    |                                    |    |
|--------------------------------|----|------------------------------------|----|
| INTRODUCCIÓN .....             | 1  | CUIDADOS PARA PROBLEMAS            |    |
| MENSAJES DE SEGURIDAD .....    | 1  | INESPERADOS .....                  | 12 |
| INFORMACIÓN DE SEGURIDAD ..... | 2  | INFORMACIÓN TÉCNICA .....          | 13 |
| SITUACIÓN DE LAS ETIQUETAS DE  |    | Situación del número de serie .... | 13 |
| SEGURIDAD .....                | 2  | Modificaciones del carburador      |    |
| SITUACIÓN DE LOS COMPONENTES   |    | para funcionar a gran altitud..... | 13 |
| Y CONTROLES .....              | 3  | INFORMACIÓN DEL SISTEMA DE         |    |
| CARACTERÍSTICAS .....          | 3  | CONTROL DE EMISIONES .....         | 13 |
| COMPROBACIONES PREVIAS A LA    |    | Fuente de emisiones .....          | 13 |
| OPERACIÓN .....                | 3  | La legislación                     |    |
| OPERACIÓN .....                | 4  | estadounidense, las leyes          |    |
| PRECAUCIONES DE SEGURIDAD      |    | medioambientales de                |    |
| DURANTE LA OPERACIÓN .....     | 4  | California y el comité             |    |
| ARRANQUE DEL MOTOR .....       | 4  | Environment and Climate            |    |
| AJUSTE DE LA VELOCIDAD DEL     |    | Change Canada (ECCC).....          | 13 |
| MOTOR .....                    | 5  | Manipulación y                     |    |
| PARADA DEL MOTOR .....         | 5  | modificación .....                 | 13 |
| SERVICIO DE SU MOTOR .....     | 6  | Problemas que podrían              |    |
| LA IMPORTANCIA DEL             |    | afectar a las emisiones .....      | 13 |
| MANTENIMIENTO .....            | 6  | Repuestos .....                    | 13 |
| SEGURIDAD DEL                  |    | Mantenimiento .....                | 14 |
| MANTENIMIENTO .....            | 6  | Índice de aire .....               | 14 |
| PRECAUCIONES DE SEGURIDAD ...  | 6  | GARANTÍA DEL SISTEMA DE            |    |
| PROGRAMA DE                    |    | CONTROL DE EMISIONES .....         | 14 |
| MANTENIMIENTO .....            | 6  | Cobertura de la garantía .....     | 14 |
| REPOSTAJE .....                | 7  | Especificaciones .....             | 14 |
| ACEITE DE MOTOR .....          | 7  | Especificaciones de puesta a       |    |
| Aceite recomendado.....        | 7  | punto.....                         | 15 |
| Comprobación del nivel de      |    | Información de referencia          |    |
| aceite.....                    | 7  | rápida .....                       | 15 |
| Cambio del aceite.....         | 8  | Diagramas de conexiones .....      | 15 |
| FILTRO DE AIRE .....           | 8  | INFORMACIÓN PARA EL                |    |
| Inspección .....               | 8  | CONSUMIDOR.....                    | 16 |
| Limpieza.....                  | 9  | INFORMACIÓN PARA                   |    |
| BUJÍA .....                    | 9  | ENCONTRAR DISTRIBUIDORES/          |    |
| PARACHISPAS .....              | 10 | CONCESIONARIOS .....               | 16 |
| SUGERENCIAS Y OBSERVACIONES    |    | INFORMACIÓN DE SERVICIO            |    |
| DE UTILIDAD .....              | 11 | PARA CLIENTES.....                 | 16 |
| ALMACENAJE DEL MOTOR.....      | 11 |                                    |    |
| TRANSPORTE.....                | 12 |                                    |    |

## INFORMACIÓN DE SEGURIDAD

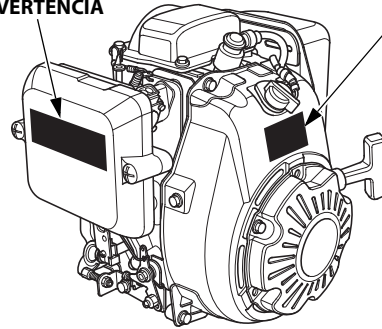
- Comprenda el funcionamiento de todos los controles y aprenda a parar con rapidez el motor en un caso de emergencia. Asegúrese de que el operador haya recibido una instrucción adecuada antes de operar el equipo.
- No permita que los niños operen el motor. Mantenga a los niños y animales apartados del lugar de operación.
- Los gases de escape del motor contienen monóxido de carbono que es venenoso.  
No ponga en marcha el motor si no hay una ventilación adecuada, y no ponga nunca en marcha el motor en un lugar cerrado.
- El motor y el sistema de escape se calientan mucho durante la operación. Mantenga el motor por lo menos a 1 metro de distancia de edificios y de otros equipos durante la operación. Mantenga apartados los materiales inflamables, y no ponga nada sobre el motor mientras esté en marcha.

## SITUACIÓN DE LAS ETIQUETAS DE SEGURIDAD

Esta etiqueta le avisa sobre peligros potenciales que pueden ocasionar heridas graves. Léala con atención.  
Si se despegala la etiqueta o resulta difícil de leer, solicite a su concesionario de servicio que la reemplace.

ETIQUETA DE ADVERTENCIA

ETIQUETA DE PRECAUCIÓN DEL SILENCIADOR



| ETIQUETA DE ADVERTENCIA                                                                                                                                                                                                                                                                                                      | Para UE                      | Excepto UE                   |
|------------------------------------------------------------------------------------------------------------------------------------------------------------------------------------------------------------------------------------------------------------------------------------------------------------------------------|------------------------------|------------------------------|
| <br>Honda Motor Co., Ltd.                                                                                                                                                                                                                                                                                                    | colocada en el producto      | suministrada con el producto |
| <b>WARNING</b><br>Gasoline is highly flammable and explosive. Turn engine off and let cool before refueling. The engine emits toxic carbon monoxide. Do not run in an enclosed area. Read Owner's Manual before operation.<br>Honda Motor Co., Ltd.                                                                          | suministrada con el producto | colocada en el producto      |
| <b>ATTENTION</b><br>L'essence est très inflammable et explosive. Arrêter le moteur et le laisser refroidir avant de faire le plein d'essence. Le moteur produit les vapeurs nocives de monoxyde de carbone. Ne pas utiliser dans un local clos. Lire le manuel de propriétaire avant l'utilisation.<br>Honda Motor Co., Ltd. | suministrada con el producto | suministrada con el producto |

| ETIQUETA DE PRECAUCIÓN DEL SILENCIADOR                                                           | Para UE                      | Excepto UE                   |
|--------------------------------------------------------------------------------------------------|------------------------------|------------------------------|
|                                                                                                  | no incluido                  | suministrada con el producto |
| <b>CAUTION</b><br>HOT MUFFLER CAN BURN YOU. Stay away if engine has been running.                | suministrada con el producto | colocada en el producto      |
| <b>ATTENTION</b><br>L'ECHAPPEMENT CHAUD PEUT VOUS BRULER. S'ÉLOIGNER QUAND LE MOTEUR FONCTIONNE. | suministrada con el producto | suministrada con el producto |



La gasolina es muy inflamable y explosiva. Pare el motor y espere a que se enfríe antes de repostar.



El motor emite gas monóxido de carbono que es tóxico y venenoso. No lo tenga en marcha en un lugar cerrado.

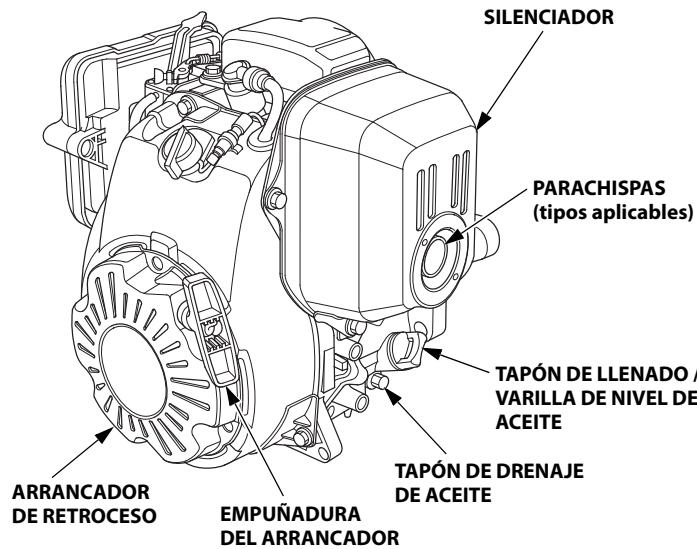


Lea el Manual del propietario antes de la operación.

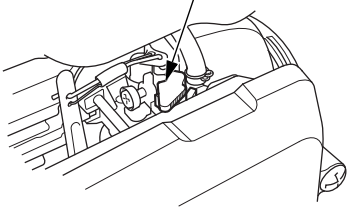


El silenciador caliente puede causarle quemaduras. Permanezca alejado si el motor ha estado en funcionamiento.

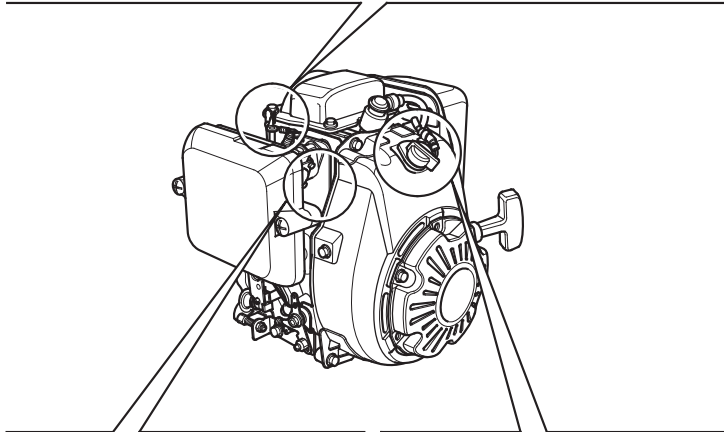
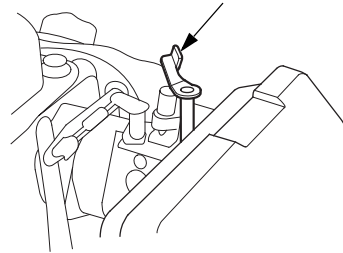
## SITUACIONES DE LOS COMPONENTES Y CONTROLES



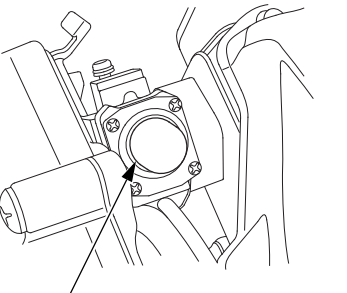
(Tipo de flotador)  
PALANCA DEL ESTRANGULADOR



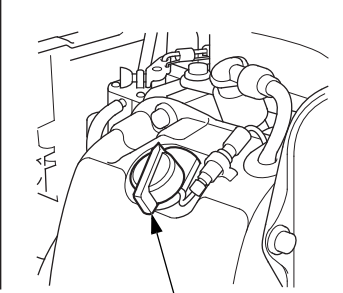
(Tipo de diafragma)  
PALANCA DEL ESTRANGULADOR



PERA DE CEBADO (tipos aplicables)



INTERRUPTOR DEL MOTOR (tipos aplicables)



## CARACTERÍSTICAS

### Sistema de alerta del aceite Oil Alert® (tipos aplicables)

"Oil Alert es una marca comercial registrada en los Estados Unidos"

El sistema de alerta de aceite Oil Alert está diseñado para evitar daños en el motor causados por una cantidad insuficiente de aceite en el cárter. Antes de que el nivel del aceite que hay en el cárter caiga por debajo de un límite de seguridad, el sistema de alerta de aceite Oil Alert evitará que se ponga en marcha el motor.

Si el motor se pone en marcha, compruebe el nivel del aceite de motor (vea la página 7) antes de realizar la localización y reparación de averías en otras partes.

## COMPROBACIONES PREVIAS A LA OPERACIÓN

### ¿ESTÁ PREPARADO EL MOTOR PARA FUNCIONAR?

Por su propia seguridad, para asegurar el cumplimiento de las regulaciones medioambientales y para maximizar la vida de servicio de su equipo, es muy importante emplear un poco de tiempo para comprobar el estado del motor antes de ponerlo en funcionamiento. Antes de poner en marcha el motor, deberá asegurarse de haber solucionado cualquier problema encontrado, o de solicitar a su concesionario de servicio que lo solucione.

### ⚠ ADVERTENCIA

Si no se realiza un mantenimiento correcto de este motor, o si no se corrige un problema antes de la operación, se puede producir una avería importante.

Algunas fallas pueden causar lesiones graves y muerte.

Efectúe siempre la inspección previa a la operación antes de cada operación, y solucione los problemas encontrados.

Antes de comenzar las comprobaciones previas a la operación, asegúrese de que el motor esté nivelado y que el interruptor del motor esté en la posición OFF.

Compruebe siempre los elementos siguientes antes de poner en marcha el motor:

### Comprobación del estado general del motor

1. Mire en torno al motor y debajo del mismo para ver si hay indicios de fugas de aceite o de gasolina.
2. Extraiga el polvo o la suciedad excesiva, especialmente en torno al silenciador y al arrancador de retroceso.
3. Busque si hay indicios de daños.
4. Compruebe que todos los protectores y cubiertas estén en su lugar, y que todas las tuercas, pernos, y tornillos estén apretados.

### Comprobación del motor

1. Compruebe el nivel de combustible. Si comienza el trabajo con el depósito lleno, le ayudará a eliminar o reducir las interrupciones de la operación para repostar.
2. Compruebe el nivel del aceite de motor (vea la página 7). El motor puede dañarse si se utiliza con un nivel bajo de aceite.
3. Compruebe el elemento del filtro de aire (vea la página 8). Un elemento del filtro de aire sucio restringirá el flujo de aire al carburador, reduciendo el rendimiento del motor.
4. Compruebe el equipo que deba funcionar con este motor.

Revise las instrucciones proporcionadas con el equipo que deba funcionar con este motor para ver si hay precauciones y procedimientos que deban seguirse antes de poner en marcha el motor.

# OPERACIÓN

## PRECAUCIONES DE SEGURIDAD DURANTE LA OPERACIÓN

Antes de poner en marcha el motor por primera vez, revise la sección *INFORMACIÓN DE SEGURIDAD* en la página 2 y *COMPROBACIONES PREVIAS A LA OPERACIÓN* en la página 3.

### Peligros del monóxido de carbono

Por su propia seguridad, no opere el motor en lugares cerrados como por ejemplo dentro de un garaje. Los gases de escape del motor contienen monóxido de carbono que es un gas que se acumula con rapidez en lugares cerrados y que causa mal estar o incluso la muerte.

### ⚠ ADVERTENCIA

Los gases de escape contienen gas venenoso de monóxido de carbono que puede acumularse hasta niveles peligrosos en lugares cerrados.

Si aspira monóxido de carbono correrá el peligro de pérdida del sentido o de muerte.

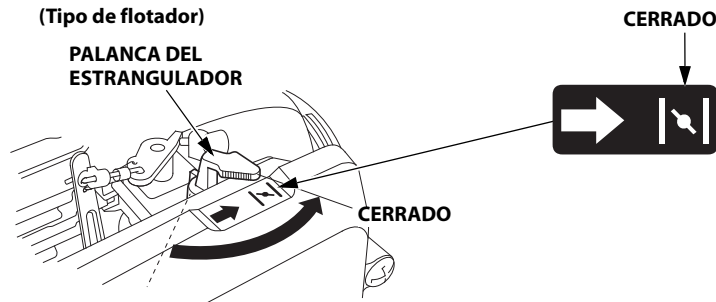
Nunca opere el motor en un área cerrada o incluso parcialmente cerrada.

Revise las instrucciones proporcionadas con el equipo que deba funcionar con este motor para ver si hay precauciones de seguridad que deban observarse para poner en marcha, parar, u operar el motor.

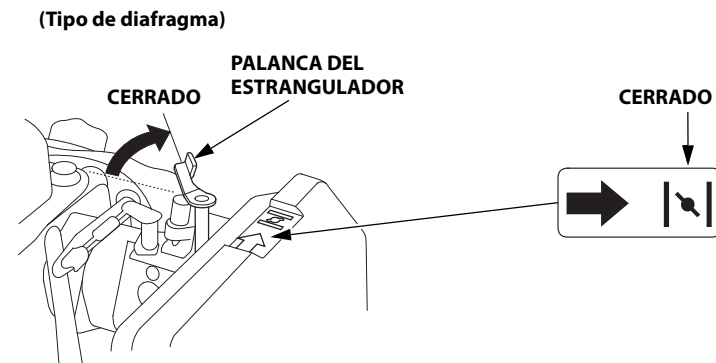
## ARRANQUE DEL MOTOR

1. Si el depósito de combustible está equipado con una válvula, asegúrese de que la válvula de combustible y el dispositivo de ventilación de la tapa de relleno de combustible estén en la posición OPEN u ON antes de intentar poner en marcha el motor. Para ver las instrucciones específicas sobre la operación de la válvula de combustible y del dispositivo de ventilación de la tapa de relleno de combustible, consulte las instrucciones que se sirven con el equipo operado con este motor.
2. Para arrancar el motor cuando está frío, mueva la palanca del estrangulador a la posición CLOSED.

(Tipo de flotador)

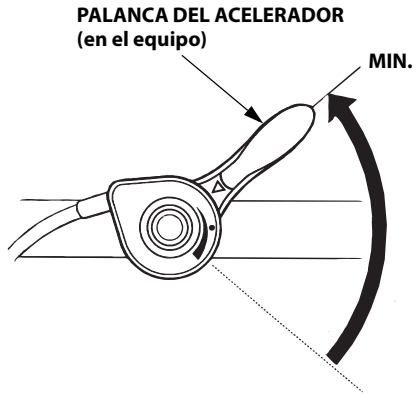


(Tipo de diafragma)

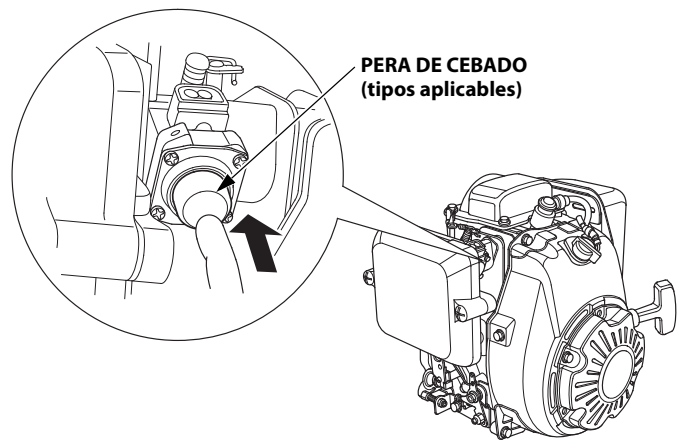


Para arrancar el motor cuando está caliente, deje la palanca del estrangulador en la posición OPEN.

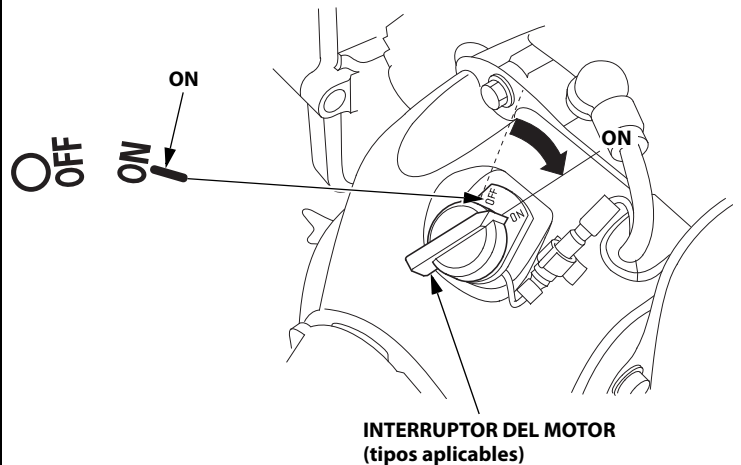
3. Mueva la palanca del acelerador a la posición MIN. La palanca del acelerador está montada en el equipo accionado por este motor. Consulte el manual de instrucciones suministrado con este equipo para ver la información sobre el control del acelerador específico.



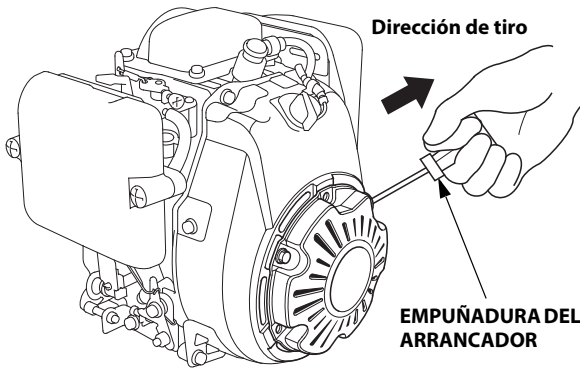
4. Presione repetidamente la pera de cebado (tipos aplicables).



5. Gire el interruptor del motor (tipos aplicables) a la posición ON.



- Tire ligeramente de la empuñadura del arrancador hasta notar resistencia, y entonces tire con fuerza en la dirección de la flecha como se muestra abajo. Deje que la empuñadura del arrancador retorne con suavidad.

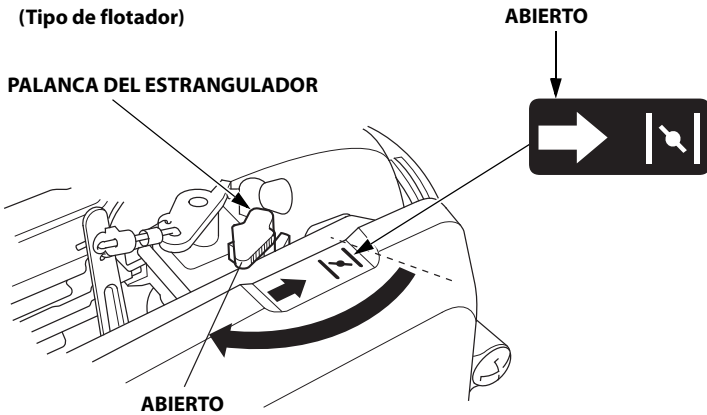


#### AVISO

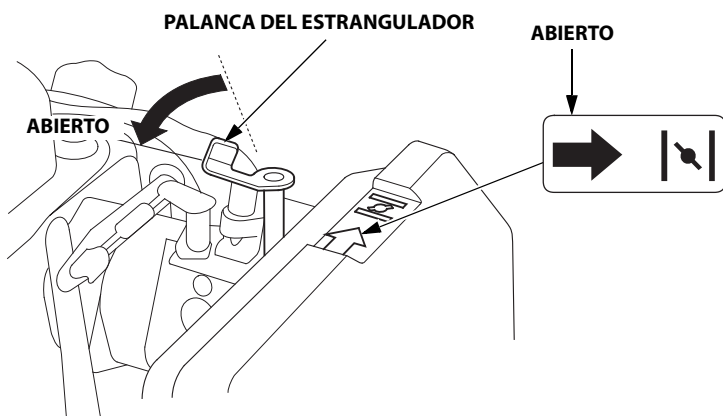
No permita que la empuñadura del arrancador retroceda con fuerza contra el motor. Haga que retorne con suavidad para evitar daños en el arrancador.

- Si se ha movido la palanca del estrangulador a la posición CLOSED para arrancar el motor, muévala gradualmente a la posición OPEN a medida que se va calentando el motor.

(Tipo de flotador)



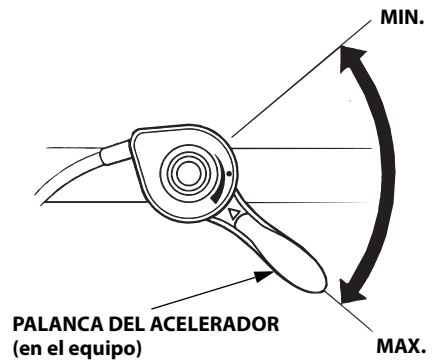
(Tipo de diafragma)



#### AJUSTE DE LA VELOCIDAD DEL MOTOR

Ajuste la palanca del acelerador a la velocidad deseada del motor.

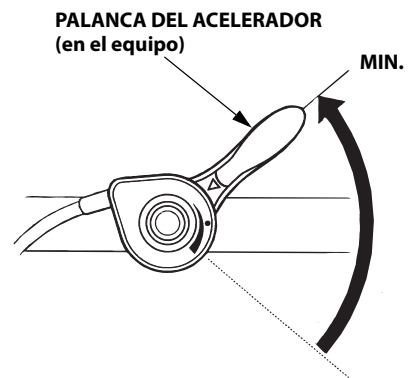
Para ver las recomendaciones de la velocidad del motor, consulte el manual de instrucciones suministrado con el equipo que deba funcionar con este motor.



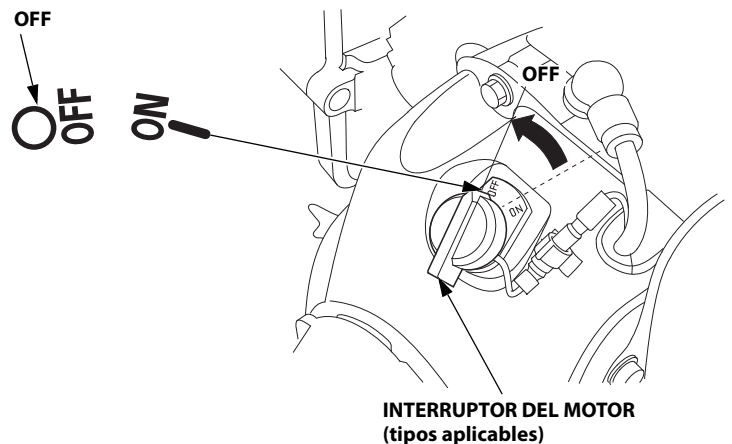
#### PARADA DEL MOTOR

Para parar el motor en un caso de emergencia, simplemente gire el interruptor del motor a la posición OFF. En situaciones normales, emplee el procedimiento siguiente. Consulte las instrucciones suministradas por el fabricante del equipo.

- Mueva la palanca del acelerador a la posición MIN.



- Gire el interruptor del motor (tipos aplicables) a la posición OFF.



- Si el depósito de combustible está equipado con una válvula de combustible o con una tapa de relleno de combustible con ventilación, gírela a la posición CLOSED u OFF.



## SERVICIO DE SU MOTOR

### LA IMPORTANCIA DEL MANTENIMIENTO

El buen mantenimiento es esencial para conseguir una operación segura, económica, y exenta de problemas. Ayudará también a reducir la contaminación.

#### ⚠ ADVERTENCIA

Si no se realiza un mantenimiento correcto de este motor, o si no se corrige un problema antes de la operación, se puede producir una avería importante.

Algunas fallas pueden causar lesiones graves y muerte.

Siga siempre las recomendaciones de inspección y mantenimiento y los programas de este manual del propietario.

Para ayudarle a cuidar adecuadamente el motor, las páginas siguientes incluyen un programa de mantenimiento, procedimientos de inspección rutinarios, y simple procedimientos de mantenimiento empleando herramientas manuales básicas. Las otras tareas de servicio que son más difíciles, o que requieren herramientas especiales, es mejor que sean realizadas por profesionales y normalmente las lleva a cabo un mecánico de Honda u otro mecánico cualificado.

El programa de mantenimiento se aplica a las condiciones normales de operación. Si opera el motor en condiciones severas, tales como con una carga elevada continua o a altas temperaturas, o si lo utiliza en condiciones con mucha humedad o polvo, consulte a su concesionario de servicio Honda para que le proporcione las recomendaciones aplicables a sus necesidades y aplicaciones individuales.

**El mantenimiento, reemplazo o reparación de los dispositivos y sistemas de control de las emisiones de escape pueden efectuarse en cualquier establecimiento de reparaciones de motores o por cualquier individuo, empleando partes que estén "homologadas" según las normas EPA.**

### SEGURIDAD DEL MANTENIMIENTO

A continuación se mencionan algunas de las precauciones de seguridad más importantes. No obstante, no podemos avisarle sobre todos los peligros concebibles que pueden surgir al realizar el mantenimiento. Solamente usted puede decidir si debe realizar un trabajo determinado.

#### ⚠ ADVERTENCIA

El mantenimiento inadecuado puede provocar una falta de seguridad.

Si no se siguen correctamente las instrucciones y precauciones de mantenimiento, pueden presentarse lesiones graves o muerte.

Siga siempre con cuidado los procedimientos y precauciones de este manual del propietario.

### PRECAUCIONES DE SEGURIDAD

- Asegúrese de que el motor esté desconectado antes de comenzar cualquier trabajo de mantenimiento o de reparación. Para evitar el arranque involuntario, desconecte la tapa de la bujía. De este modo eliminará muchos peligros potenciales:
  - **Envenenamiento por monóxido de carbono del escape del motor.** Accionar en exteriores alejados de ventanas o puertas abiertas.
  - **Quemaduras por piezas calientes.** Espere a que se enfríen el motor y el sistema de escape antes de tocarlos.
  - **Daños debidos a las partes en movimiento.** No ponga en marcha el motor a menos que se lo indiquen las instrucciones.
- Lea las instrucciones antes de empezar, y asegúrese de disponer de las herramientas y conocimientos necesarios.
- Para reducir la posibilidad de incendio o explosión, tenga cuidado cuando trabaje cerca de gasolina. Emplee sólo solventes ininflamables, y no emplee gasolina, para limpiar las partes. Mantenga apartados los cigarrillos, las chispas y el fuego de las partes relacionadas con el combustible.

Recuerde que su concesionario de servicio autorizado Honda es quien mejor conoce su motor y que está completamente equipado para su mantenimiento y reparación.

Para asegurar la mejor calidad y fiabilidad, emplee sólo partes nuevas originales Honda Genuine o sus equivalentes para las reparaciones y reemplazos.

## PROGRAMA DE MANTENIMIENTO

| PERIODOS REGULARES DE SERVICIO (3)<br>Efectuar en cada uno de los intervalos en meses u horas de funcionamiento indicados, lo que se produzca antes. |                   | Cada uso                                       | Primer mes o primeras 20 h. | Cada 3 meses o 50 h. | Cada 6 meses o 100 h. | Cada año o 200 h. | Consultar la página |
|------------------------------------------------------------------------------------------------------------------------------------------------------|-------------------|------------------------------------------------|-----------------------------|----------------------|-----------------------|-------------------|---------------------|
| <b>ELEMENTO</b>                                                                                                                                      |                   |                                                |                             |                      |                       |                   |                     |
| Aceite del motor                                                                                                                                     | Comprobar nivel   | o                                              |                             |                      |                       |                   | 7                   |
|                                                                                                                                                      | Cambiar           |                                                | o                           |                      | o                     |                   | 8                   |
| Filtro de aire                                                                                                                                       | Comprobar         | o                                              |                             |                      |                       |                   | 8                   |
|                                                                                                                                                      | Limpiar           |                                                |                             | o (1)                |                       |                   | 9                   |
|                                                                                                                                                      | Sustituir         |                                                |                             |                      |                       | o (1)             |                     |
| Bujía                                                                                                                                                | Comprobar-ajustar |                                                |                             |                      | o                     |                   | 9                   |
|                                                                                                                                                      | Sustituir         |                                                |                             |                      |                       | o                 |                     |
| Correa de la distribución                                                                                                                            | Comprobar         | Tras 300 h. (2) (4)                            |                             |                      |                       |                   | Manual de taller    |
| Parachispas (tipos aplicables)                                                                                                                       | Limpiar           |                                                |                             |                      | o (5)                 |                   | 10                  |
| Velocidad de ralentí                                                                                                                                 | Comprobar-ajustar |                                                |                             |                      |                       | o (2)             | Manual de taller    |
| Holgura de las válvulas                                                                                                                              | Comprobar-ajustar |                                                |                             |                      |                       | o (2)             | Manual de taller    |
| Cámara de combustión                                                                                                                                 | Limpiar           | Tras 300 h. (2)                                |                             |                      |                       |                   | Manual de taller    |
| Depósito y filtro de combustible                                                                                                                     | Limpiar           |                                                |                             |                      | o (2)                 |                   | Manual de taller    |
| Tubo de combustible                                                                                                                                  | Comprobar         | Cada 2 años (sustituir si fuera necesario) (2) |                             |                      |                       |                   | Manual de taller    |

- (1) Realice el servicio con mayor frecuencia cuando lo utilice en zonas polvorrientas.
- (2) El servicio de estas partes deberá realizarlo su concesionario de servicio, a menos que usted disponga de las herramientas adecuadas y posea suficientes conocimientos mecánicos. Para ver los procedimientos de servicio, consulte el manual de taller Honda.
- (3) Para aplicaciones comerciales, registre las horas de operación para poder determinar los intervalos adecuados de mantenimiento.
- (4) Compruebe que no existen grietas o desgaste anormal en la correa y sustituya si es necesario.
- (5) En Europa y en los otros países en los cuales se aplica la Directiva "máquinas" 2006/42/CE, esta limpieza deberá realizarla su concesionario de servicio.

Si no sigue este programa de mantenimiento pueden producirse fallos que no estarán cubiertos por la garantía.



## REPOSTAJE

### Combustible recomendado

|                    |                                        |
|--------------------|----------------------------------------|
| Gasolina sin plomo |                                        |
| EE.UU.             | 86 octanos de bomba o superior         |
| Excepto EE.UU.     | 91 octanos de investigación o superior |
|                    | 86 octanos de bomba o superior         |

Este motor está homologado para funcionar con gasolina sin plomo con un valor de octanos de bomba de 86 o más alto (un valor de octanos de investigación de 91 o más alto).

Suministre el combustible en una zona bien ventilada con el motor parado. Si el motor ha estado funcionando, espere primero a que se enfríe. No reposte nunca el motor dentro de un edificio donde los gases de la gasolina pudieran llegar a fuegos o chispas.

Podrá emplear gasolina sin plomo con un contenido máximo del 10% de etanol (E10) o del 5% de metanol por volumen. Adicionalmente, el metanol debe contener cosolventes e inhibidores contra la corrosión. El empleo de combustible con un contenido de etanol o de metanol mayor que el indicado arriba puede ocasionar problemas en el arranque y/o en el funcionamiento. También puede causar daños en las partes metálicas, de goma, y de plástico del sistema de combustible. Los daños del motor o los problemas de funcionamiento debidos al empleo de un combustible con porcentajes de etanol o metanol mayores que los indicados arriba no están cubiertos por la Garantía.

Si su equipo se utiliza con poca frecuencia o de forma intermitente, consulte la sección sobre el "Combustible" del capítulo "ALMACENAJE DEL MOTOR" (vea la página 11) para encontrar más información sobre el deterioro del combustible.

### ⚠ ADVERTENCIA

La gasolina es altamente inflamable y explosiva.

Al manipular combustible, puede quemarse o lesionarse gravemente.

- Detenga el motor y permita que se enfríe antes de manipular combustible.
- Mantenga apartados el calor, las chispas, y el fuego.
- Maneje el combustible únicamente en exteriores.
- Mantenga alejado de su vehículo.
- Frote inmediatamente el líquido derramado.

### AVISO

El combustible puede dañar la pintura y ciertos tipos de plástico. Tenga cuidado para que no se derrame combustible mientras llena el depósito de combustible. La garantía no cubre daños causados por el derrame de combustible. Garantía limitada del distribuidor.

No utilice nunca gasolina en mal estado, contaminada o mezclada con aceite. Evite la entrada de suciedad o agua en el depósito de combustible.

Reposte con cuidado para no derramar combustible.

Apártese por lo menos 1 metro de la fuente y lugar de suministro de combustible antes de arrancar el motor.

Mantenga la gasolina apartada de las luces piloto de los aparatos, barbacoas, aparatos eléctricos, herramientas eléctricas, etc.

El combustible derramado no sólo le hará correr el peligro de incendio, sino que además causa daños en el medio ambiente. Frote inmediatamente el líquido derramado.

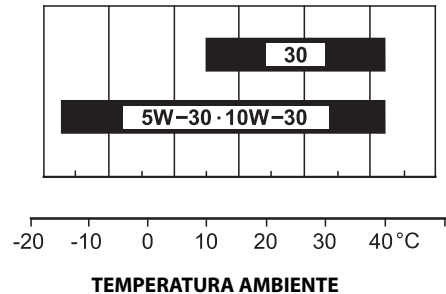
## ACEITE DE MOTOR

El aceite es un factor muy importante que afecta el rendimiento y la vida de servicio.

Emplee aceite detergente para automóviles de 4 tiempos.

### Aceite recomendado

Emplee aceite de motor de 4 tiempos que satisfaga o exceda los requisitos para la categoría de servicio API de SJ o posterior (o equivalente). Compruebe siempre la etiqueta de servicio API del recipiente de aceite para asegurarse que incluye las letras SJ o posterior (o equivalente).



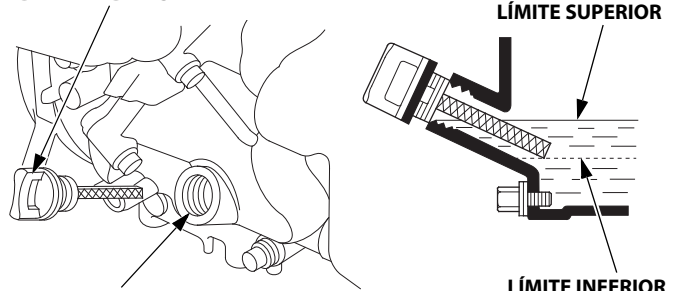
Se recomienda el SAE 10W-30 para aplicaciones generales. Las otras viscosidades mostradas en la gráfica pueden utilizarse cuando la temperatura media de su zona está dentro del margen indicado.

### Comprobación del nivel de aceite

Compruebe el nivel del aceite de motor con el motor parado y en una posición nivelada.

1. Extraiga la tapa de relleno/varilla de medición del nivel de aceite y frótelas para limpiarlas.
2. Inserte la tapa de relleno/varilla de medición del nivel de aceite en el cuello de relleno como se muestra, pero no la enrosque, y luego extráigala para comprobar el nivel de aceite.
3. Si el nivel de aceite está cerca o por debajo de la marca del límite inferior de la varilla de medición del nivel de aceite, llene aceite del recomendado hasta la marca del límite superior (parte inferior del orificio de relleno de aceite). No llene excesivamente.
4. Enrosque con seguridad la tapa de relleno/varilla de medición del nivel de aceite.

### TAPÓN DE LLENADO / VARILLA DE NIVEL DE ACEITE



### ORIFICIO DE RELLENO DE ACEITE (borde inferior)

### AVISO

El motor puede dañarse si se utiliza con un nivel bajo de aceite. Este tipo de daños no está cubierto por la garantía limitada del distribuidor.

## Cambio del aceite

Drene el aceite usado cuando el motor esté caliente. El aceite caliente se drena con más rapidez y por completo.

1. Ponga un recipiente adecuado debajo del motor para recibir el aceite usado, y extraiga entonces la tapa de relleno/varilla de medición del nivel de aceite, el tapón de drenaje de aceite y la arandela de estanqueidad.
2. Deje que el aceite usado se drene por completo, y vuelva a instalar entonces el tapón de drenaje de aceite y una arandela de estanqueidad nueva, y apriete con seguridad el tapón de drenaje de aceite.

**PAR DE TORSIÓN:** 18 N·m

Deseche el aceite del motor usado de una manera que sea respetuosa del medio ambiente. Le aconsejamos que lleve el aceite usado en un recipiente cerrado al centro de reciclaje de su localidad o a una gasolinera para que se encarguen de su eliminación. No lo tire a la basura, no lo derrame al suelo, ni lo vierta por una alcantarilla.

3. Con el motor en una posición nivelada, llene aceite del recomendado (vea la página 7) hasta la marca del límite superior (parte inferior del orificio de relleno de aceite).

Capacidad del aceite del motor: 0.28 L

### AVISO

*El motor puede dañarse si se utiliza con un nivel bajo de aceite. Este tipo de daños no está cubierto por la garantía limitada del distribuidor.*

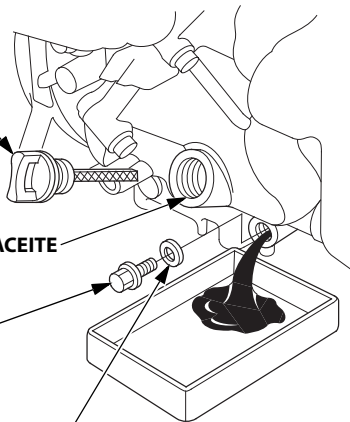
4. Enrosque con seguridad la tapa de relleno/varilla de medición del nivel de aceite.

**TAPÓN DE LLENADO /  
VARILLA DE NIVEL DE ACEITE**

**ORIFICIO DE RELLENO DE ACEITE  
(borde inferior)**

**TAPÓN DE DRENAJE  
DE ACEITE**

**ARANDELA DE ESTANQUEIDAD  
(Sustituir)**



Lávese las manos con agua y jabón después de haber manipulado aceite usado.

## FILTRO DE AIRE

Un filtro de aire sucio restringirá el flujo de aire al carburador, reduciendo el rendimiento del motor. Si utiliza el motor en lugares muy polvorientos, limpie el filtro de aire con mayor frecuencia que la que se especifica en el PROGRAMA DE MANTENIMIENTO.

### AVISO

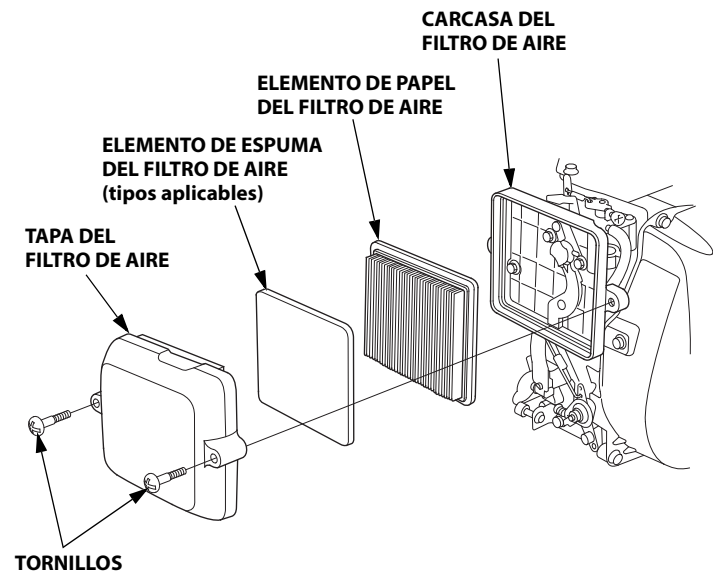
*Si se pone en marcha el motor sin el elemento del filtro de aire, o con un elemento del filtro de aire dañado, se introducirá suciedad en el motor, causando el rápido desgaste del motor. Este tipo de daños no está cubierto por la garantía limitada del distribuidor.*

### Inspección

Extraiga los dos tornillos y la cubierta del filtro de aire. Inspeccione los elementos del filtro de aire. Limpie o reemplace los elementos sucios del filtro de aire. Reemplace siempre los elementos del filtro de aire si están dañados.

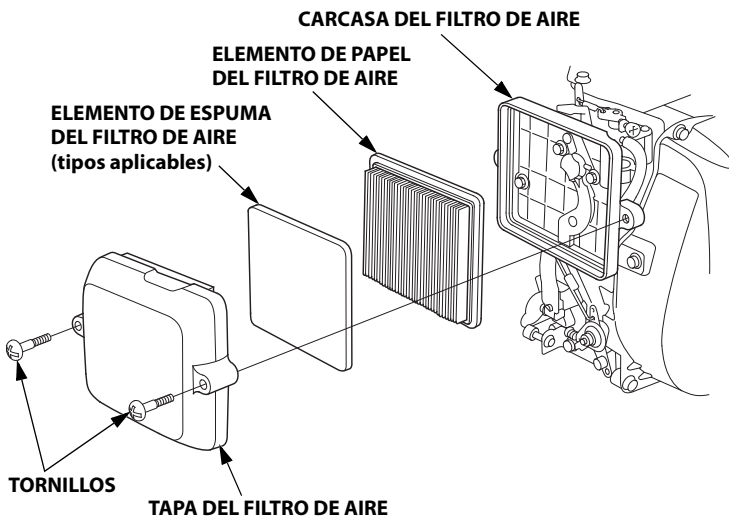
Para ver las instrucciones sobre la limpieza, consulte la página 9.

Vuelva a instalar los elementos del filtro de aire y la cubierta del filtro de aire.



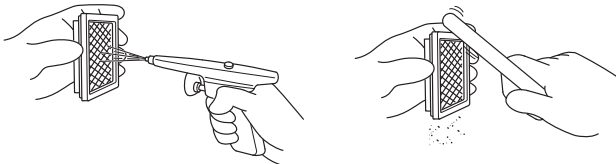
## Limpieza

1. Extraiga los dos tornillos de la cubierta del filtro de aire, y extraiga la cubierta.
2. Extraiga el elemento de espuma del filtro de aire de la cubierta.
3. Extraiga el elemento de papel del filtro de aire de la caja del filtro de aire.

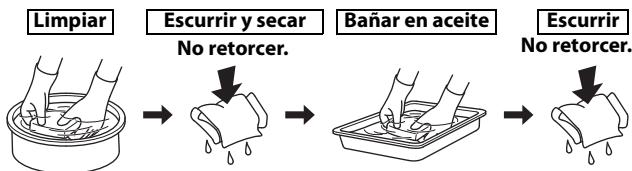


4. Inspeccione los dos elementos del filtro de aire, y reemplácelos si están dañados. Reemplace siempre el elemento de papel del filtro de aire a los intervalos programados (vea la página 6).
5. Limpie los elementos del filtro de aire si debe volver a utilizarlos.

Elemento de papel del filtro de aire: Golpee varias veces el elemento de papel del filtro de aire contra una superficie dura para sacar la suciedad, o sople aire comprimido [sin exceder 207 kPa, (2,1 kgf/cm<sup>2</sup>)] por el elemento del filtro desde el lado de la caja del filtro de aire. No trate nunca de cepillar la suciedad; el cepillo forzaría la suciedad al interior de las fibras. Reemplace el elemento de papel del filtro de aire si está demasiado sucio.



Elemento de espuma del filtro de aire: Límpielo en agua tibia con jabón, aclárelo y espere a que se seque por completo. También podrá limpiarlo en solvente ininflamable y dejarlo secar. No ponga aceite en el elemento de espuma del filtro de aire.



6. Frote la suciedad desde el interior de la cubierta del filtro de aire y la cubierta empleando un paño humedecido. Tenga cuidado para evitar que la suciedad se introduzca en el conducto de aire que va al carburador.
7. Ponga el elemento de espuma del filtro de aire en la cubierta del filtro de aire, e instale luego el elemento de papel del filtro de aire y la cubierta en la caja del filtro de aire.
8. Instale la cubierta del filtro de aire, y apriete con seguridad los dos tornillos.

## BUJÍA

**Bujías recomendadas:** CR5HSB (NGK)  
U16FSR-UB (DENSO)

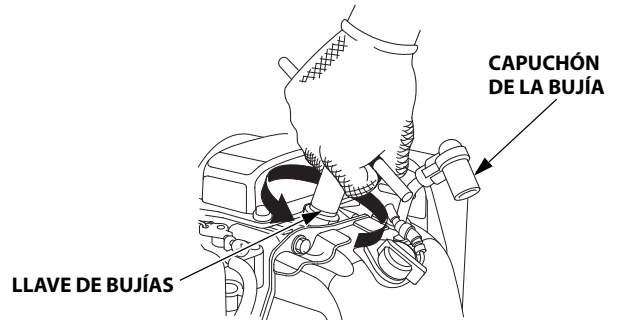
La bujía recomendada tiene el margen térmico correcto para las temperaturas normales de operación del motor.

### AVISO

Una bujía incorrecta puede causar daños en el motor.

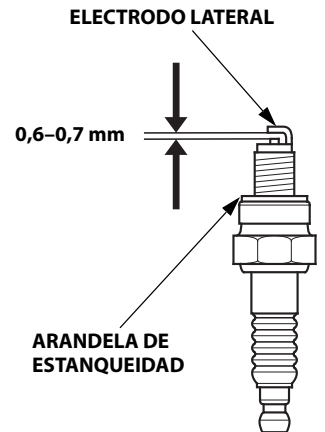
Para obtener un buen rendimiento, el huelgo de los electrodos de la bujía deberá ser correcto y no deberá haber carbonilla acumulada.

1. Desconecte la tapa de la bujía, y saque la suciedad que pudiera haber en torno al área de la bujía.
2. Extraiga la bujía con una llave para bujías de 5/8 pulgadas.



3. Inspeccione la bujía. Reemplácela si está dañada o muy sucia, si la arandela de sellado está en mal estado, o si el electrodo está gastado.

4. Mida el huelgo del electrodo de la bujía con un calibre de espesores del tipo de alambre. Corrija según sea necesario doblando el electrodo lateral. La holgura debe ser: 0,6–0,7 mm



5. Instale con cuidado la bujía, con la mano, para evitar que se dañen las roscas.
6. Después de haberse asentado la bujía, apriétela con una llave de bujías de 5/8 pulgadas para comprimir la arandela de sellado.
7. Cuando instale una bujía nueva, apriétela 1/2 de vuelta después de haberse asentado la bujía para comprimir la arandela.
8. Al reinstalar una bujía usada, apriete 1/8 a 1/4 de vuelta después de los asentamientos de la bujía para comprimir la arandela.

**PAR DE TORSIÓN:** 12 N·m

### AVISO

Una bujía floja puede causar sobrecalentamiento y daños en el motor. El apriete excesivo de la bujía puede dañar las roscas de la culata de cilindros.

9. Instale la tapa de la bujía en la bujía.

## PARACHISPAS (tipos aplicables)

En Europa y en los otros países en los cuales se aplica la Directiva "máquinas" 2006/42/CE, esta limpieza deberá realizarla su concesionario de servicio.

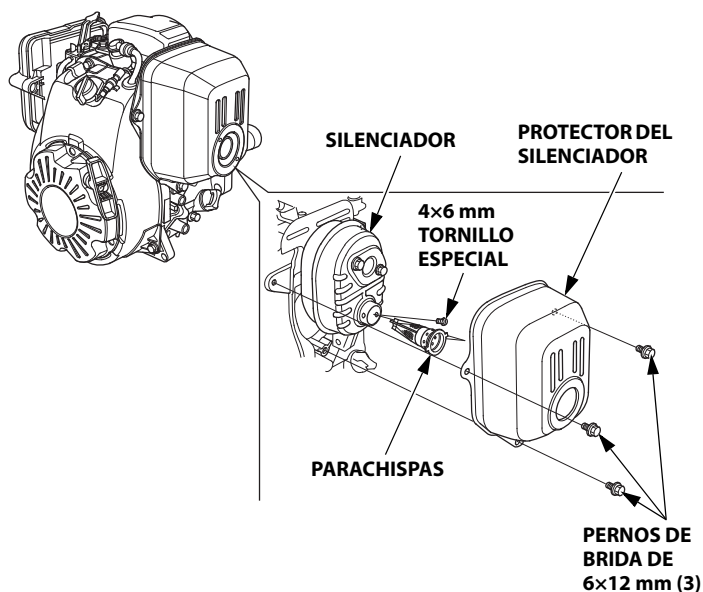
Su motor no se ha equipado en fábrica con un parachispas. En algunas áreas, es ilegal operar un motor sin un parachispas. Verifique las leyes y regulaciones locales. Los concesionarios de servicio autorizados Honda tienen disponibles parachispas.

El servicio del parachispas debe realizarse cada 100 horas para que pueda seguir funcionando como ha sido diseñado.

Si el motor había estado en marcha, el silenciador estará caliente. Deje que se enfríe antes de realizar el servicio del parachispas.

### Extracción del parachispas

1. Extraiga los tres pernos de 6 mm del protector del silenciador, y extraiga el protector del silenciador.
2. Extraiga el tornillo especial del parachispas, y extraiga el parachispas del silenciador.



### Inspección y limpieza del parachispas

1. Emplee un cepillo para sacar la carbonilla acumulada en la rejilla del parachispas. Tenga cuidado para no dañar la rejilla. Reemplace el parachispas si está dañado o agujereado.
2. Instale el parachispas y el protector del silenciador en el orden inverso al del desmontaje.



## SUGERENCIAS Y OBSERVACIONES DE UTILIDAD

### ALMACENAJE DEL MOTOR

#### Preparativos para el almacenaje

Los preparativos adecuados para el almacenaje son esenciales para mantener el motor exento de problemas y con buena apariencia exterior. Los pasos siguientes ayudarán a evitar que la oxidación y la corrosión afecten el funcionamiento y el aspecto exterior del motor, y facilitarán el arranque del motor cuando lo vuelva a utilizar.

#### Limpieza

Si el motor ha estado en marcha, espere a que se enfríe por lo menos media hora antes de efectuar la limpieza. Limpie todas las superficies exteriores, retoque cualquier parte dañada con pintura, y revista las otras partes que puedan oxidarse con una capa fina de aceite.

#### AVISO

*Si se emplea una manguera de jardín o un equipo de lavado a presión, el agua puede forzarse al interior del filtro de aire o a la abertura del silenciador. Al agua dentro del filtro de aire mojará el filtro de aire, y el agua que pasa por el filtro de aire o el silenciador puede introducirse en el cilindro, y ocasionar daños.*

### Combustible

#### AVISO

*Dependiendo de la zona donde se proponga utilizar el equipo, las fórmulas del combustible pueden deteriorarse y oxidarse con rapidez. El deterioro y la oxidación del combustible pueden producirse en tan sólo 30 días y pueden causar daños en el carburador y/o en el sistema de combustible. Consulte las recomendaciones sobre el almacenaje local solicitando asistencia a su concesionario de servicio.*

La gasolina se oxida y deteriora durante el almacenaje. La gasolina deteriorada dificulta el arranque, y deja acumulaciones de suciedad que obstruyen el sistema de combustible. Si se deteriora la gasolina del motor durante el almacenaje, es posible que tenga que solicitar el servicio o el reemplazo del carburador y de otros componentes del sistema de combustible.

El periodo de tiempo en el que la gasolina puede permanecer en el depósito de combustible y carburador sin causar problemas funcionales dependerá de diversos factores, como la mezcla de gasolina, la temperatura de almacenamiento y el nivel de carburante presente en el depósito. El aire dentro de un depósito de combustible parcialmente lleno deteriora el combustible. Las temperaturas de almacenamiento muy cálidas aceleran el deterioro del combustible. Los problemas de deterioro del combustible suelen ocurrir después de pocos meses, o incluso menos si la gasolina no era nueva cuando se llenó el depósito de combustible.

La garantía no cubre los daños al sistema del combustible ni los problemas de funcionamiento debidos a una preparación de la conservación inadecuada. *Garantía limitada del distribuidor.*

Podrá extender la vida de servicio durante el almacenaje del combustible añadiendo un estabilizador de gasolina que esté formulado para este propósito, o podrá evitar los problemas del deterioro del combustible drenando el depósito de combustible y el carburador.

#### Adición de un estabilizador de gasolina para extender la duración de almacenaje del combustible

Cuando añada un estabilizador de gasolina, llene el depósito de combustible con gasolina nueva. Si sólo lo llena parcialmente, el aire que quede en el depósito acelerará el deterioro durante el almacenaje. Si conserva un recipiente de gasolina para repostar, asegúrese de que sólo contenga gasolina nueva.

1. Añada el estabilizador de gasolina siguiendo las instrucciones del fabricante.
2. Después de añadir un estabilizador de gasolina, deje en marcha el motor al aire libre durante 10 minutos para asegurarse de que la gasolina tratada ha reemplazado a la gasolina que no está tratada en el carburador.
3. Pare el motor.

### Drenaje del depósito de combustible y del carburador

#### ⚠ ADVERTENCIA

La gasolina es altamente inflamable y explosiva.

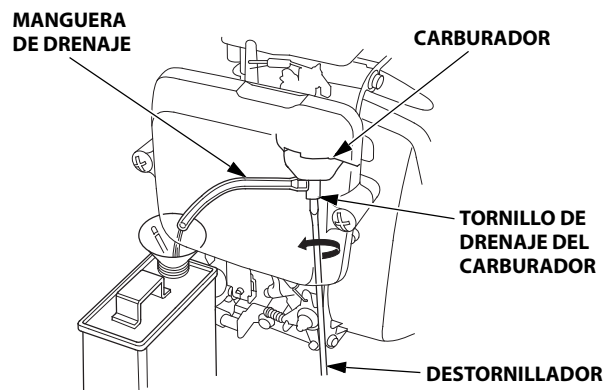
Al manipular combustible, puede quemarse o lesionarse gravemente.

- Detenga el motor y permita que se enfríe antes de manipular combustible.
- Mantenga apartados el calor, las chispas, y el fuego.
- Maneje el combustible únicamente en exteriores.
- Mantenga alejado de su vehículo.
- Frote inmediatamente el líquido derramado.

1. Drene el depósito de combustible siguiendo las instrucciones del fabricante del equipo.

(Sólo tipo con flotador)

2. Ponga un recipiente de gasolina homologado debajo del carburador, y emplee un embudo para evitar el derrame de combustible.
3. Afloje el tornillo de drenaje de carburador, y drene el carburador en un recipiente homologado para gasolina. Después de haber completado el drenaje, apriete firmemente el tornillo de drenaje del carburador.



### Aceite de motor

1. Cambie el aceite de motor (vea la página 8).
2. Extraiga la bujía (vea la página 9).
3. Introduzca una cucharilla de 5–10 cm<sup>3</sup> (5–10 cc) de aceite de motor limpio en el cilindro.
4. Tire varias veces de la empuñadura del arrancador para que el aceite se distribuya por el cilindro.
5. Vuelva a instalar la bujía.
6. Tire lentamente de la cuerda del arrancador hasta que note resistencia. De este modo se cerrarán las válvulas para que no pueda introducirse suciedad en el cilindro del motor. Deje que la empuñadura del arrancador retorne con suavidad.

### Precauciones para el almacenaje

Si el motor debe almacenarse con gasolina en el depósito de combustible y en el carburador, es importante reducir el peligro de que se enciendan los gases de la gasolina. Seleccione un lugar de almacenaje bien ventilado apartado de todos los aparatos que funcionen con fuego, como puedan ser los hornos, calentadores de agua, o secadoras para la ropa. Evite también los lugares con motores eléctricos que produzcan chispas, o donde se utilicen herramientas eléctricas.

Si es posible, evite los lugares de almacenaje con mucha humedad, porque aceleran la oxidación y la corrosión.

Mantenga el motor nivelado durante el almacenaje. La inclinación podría ocasionar fugas de combustible o de aceite.

A menos que se haya drenado todo el combustible del depósito de combustible, deje la válvula de combustible y el dispositivo de ventilación de la tapa de relleno de combustible en la posición CLOSED u OFF para reducir la posibilidad de fugas de combustible.

Cuando el motor y el sistema de escape estén fríos, cubra el motor para protegerlo contra el polvo. Si el motor y el sistema de escape están calientes pueden hacer que se enciendan o derritan algunos materiales. No emplee un trozo de plástico como cubierta contra el polvo.

Una cubierta que no sea porosa no dejará escapar la humedad en torno al motor, acelerando la oxidación y la corrosión.

### Salida del almacenaje

Compruebe el motor como se describe en la sección de *COMPROBACIONES PREVIAS A LA OPERACIÓN* de este manual (vea la página 3).

Si se había drenado el combustible durante los preparativos para el almacenaje, llene el depósito con gasolina nueva. Si conserva un recipiente de gasolina para repostar, asegúrese de que sólo contenga gasolina nueva. La gasolina se oxida y deteriora con el tiempo, dificultando el arranque.

Si se había revestido el cilindro con aceite durante los preparativos para el almacenaje, el motor produce un poco de humo al principio. Esto es normal.

### TRANSPORTE

Si el motor ha estado en marcha, espere como mínimo 15 minutos a que se enfríe antes de guardarlo o cargarlo en el vehículo de transporte. Si el motor y el silenciador están calientes pueden causarles quemaduras y hacer que se enciendan algunos materiales.

Mantenga nivelado el motor cuando lo transporte para reducir la posibilidad de que se produzcan fugas de combustible.

Si el depósito de combustible está equipado con una válvula de combustible y/o una válvula de ventilación de la tapa de relleno de combustible, gírelas a la posición CLOSED u OFF.

## CUIDADOS PARA PROBLEMAS INESPERADOS

### NO ARRANCA EL MOTOR

| Causa posible                                                                                                              | Corrección                                                                                                                                                    |
|----------------------------------------------------------------------------------------------------------------------------|---------------------------------------------------------------------------------------------------------------------------------------------------------------|
| Estrangulador abierto.                                                                                                     | Mueva la palanca a la posición CLOSED excepto si el motor está caliente.                                                                                      |
| Interruptor del motor APAGADO.                                                                                             | Gire el interruptor del motor a la posición ON.                                                                                                               |
| Bajo nivel del aceite de motor.                                                                                            | Rellene con el aceite recomendado hasta el nivel correcto (p. 7).                                                                                             |
| Sin combustible.                                                                                                           | Repueste (p. 7).                                                                                                                                              |
| Combustible en mal estado; motor guardado sin tratamiento o drenaje de la gasolina o repostado con gasolina en mal estado. | Drene el depósito de combustible y el carburador (p. 11). Repueste con gasolina nueva (p. 7).                                                                 |
| Bujía averiada, desgastada o con huelgo incorrecto.                                                                        | Coloque o sustituya la bujía (p. 9).                                                                                                                          |
| Bujía mojada con combustible (motor inundado).                                                                             | Seque y vuelva a instalar la bujía. Arranque el motor con la palanca de acelerador en la posición MAX., con la palanca del estrangulador en la posición OPEN. |
| Filtro de combustible obstruido, avería del carburador, mal funcionamiento del encendido, válvulas atascadas, etc.         | Lleve el motor a su concesionario de servicio o consulte el manual de taller.                                                                                 |

### FALTA DE POTENCIA EN EL MOTOR

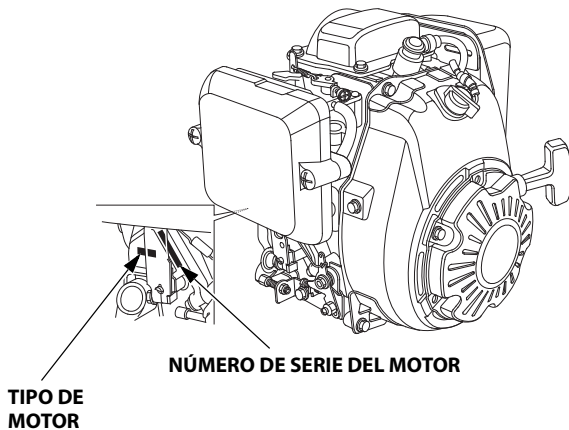
| Causa posible                                                                                                              | Corrección                                                                                    |
|----------------------------------------------------------------------------------------------------------------------------|-----------------------------------------------------------------------------------------------|
| Elemento(s) de filtro obstruido(s).                                                                                        | Limpie o reemplace los elementos del filtro (p. 9).                                           |
| Combustible en mal estado; motor guardado sin tratamiento o drenaje de la gasolina o repostado con gasolina en mal estado. | Drene el depósito de combustible y el carburador (p. 11). Repueste con gasolina nueva (p. 7). |
| Filtro de combustible obstruido, avería del carburador, mal funcionamiento del encendido, válvulas atascadas, etc.         | Lleve el motor a su concesionario de servicio o consulte el manual de taller.                 |



## INFORMACIÓN TÉCNICA

### Situación del número de serie

Anote el número de serie del motor, el tipo y la fecha de adquisición en los espacios siguientes. Necesitará esta información cuando realice pedidos de partes y consultas técnicas o sobre la garantía.



Número de serie del motor: \_\_\_\_\_

Tipo de motor: \_\_\_\_\_

Fecha de adquisición: \_\_\_\_ / \_\_\_\_ / \_\_\_\_

### Modificaciones del carburador para funcionar a gran altitud

A grandes altitudes, la mezcla normal de aire-combustible del carburador será demasiado rica. El rendimiento disminuirá, y aumentará el consumo de combustible. Si la mezcla es demasiado rica, ensuciará también la bujía y puede dificultar el arranque. El funcionamiento a una altitud distinta de la certificada para este motor, durante períodos prolongados de tiempo, puede ocasionar un incremento en las emisiones de escape.

El rendimiento a grandes altitudes podrá mejorar mediante modificaciones específicas en el carburador. Si siempre opera el motor a altitudes de más de 610 metros, solicite a su concesionario de servicio que efectúe esta modificación del carburador. Este motor conformará cada una de las normas sobre las emisiones de escape durante toda su vida de servicio cuando se opere a gran altitud con las modificaciones del carburador para funcionar a grandes altitudes.

Incluso con la modificación del carburador, la potencia del motor se reducirá aproximadamente el 3,5 % por cada 300 m de incremento de la altitud. El efecto de la altitud en la potencia será mayor si no se han efectuado las modificaciones en el carburador.

#### AVISO

*Cuando se haya modificado el carburador para funcionar a gran altitud, la mezcla de aire-combustible será demasiado pobre para funcionar a bajas altitudes. El funcionamiento a altitudes de menos de 610 metros con el carburador modificado puede causar sobrecalentamiento del motor y ocasionar serios daños en el motor. Para el funcionamiento a bajas altitudes, solicite a su concesionario de servicio que reajuste el carburador a las especificaciones originales de fábrica.*

## INFORMACIÓN DEL SISTEMA DE CONTROL DE EMISIONES

### Fuente de emisiones

El proceso de combustión produce monóxido de carbono, óxidos de nitrógeno, e hidrocarburos. El control de los hidrocarburos y de los óxidos de nitrógeno es muy importante porque, bajo ciertas condiciones, reaccionan para formar humo fotoquímico cuando se exponen a la luz solar. El monóxido de carbono no reacciona del mismo modo, pero es tóxico.

Honda utiliza relaciones de aire/combustible adecuadas y otros sistemas de control para reducir las emisiones de monóxido de carbono, óxidos de nitrógeno e hidrocarburos.

Además, los sistemas de combustible Honda utilizan componentes y tecnologías de control para reducir las emisiones por evaporación.

### La legislación estadounidense, las leyes medioambientales de California y el comité Environment and Climate Change Canada (ECCC)

Las normativas de Canadá, la EPA estadounidense y del estado de California estipulan que todos los fabricantes deben proporcionar instrucciones escritas que describan el funcionamiento y el mantenimiento de los sistemas de control de emisiones.

Se deberán seguir las siguientes instrucciones y procedimientos para mantener las emisiones de su motor Honda conforme a los requisitos establecidos en las normativas sobre emisiones.

### Manipulación y modificación

#### AVISO

*La manipulación es una infracción de la ley federal y de California.*

Manipular indebidamente o alterar el sistema de control de emisiones puede aumentar las emisiones más allá del límite legal. Entre los actos que constituyen manipulación indebida se encuentran:

- Desmontaje o modificación de parte de los sistemas de admisión, combustible o escape.
- Modificaciones que ocasionarían que el funcionamiento del motor no se ajustara a sus parámetros de diseño.

### Problemas que podrían afectar a las emisiones

Si detecta alguno de estos síntomas, acuda a un concesionario autorizado de Honda Power Equipment para que inspeccionen y reparen su motor.

- Dificultad para arrancar o el motor se cala tras el arranque.
- Dificultad en el régimen al ralentí.
- Fallo de encendido o detonaciones bajo carga.
- Combustión adicional (detonaciones).
- Humo de escape negro o alto consumo de combustible.

### Repuestos

Los sistemas de control de emisiones de su nuevo motor Honda se han diseñado, fabricado y certificado para cumplir las normativas sobre emisiones de escape estipuladas por la EPA, California (solo modelos certificados para su venta en California) y Canadá. Recomendamos el uso de repuestos originales Honda cada vez que se realicen labores de mantenimiento. Estos repuestos de diseño original están fabricados con los mismos estándares que las piezas originales, por lo que podrá confiar en su rendimiento. Honda no puede denegar la cobertura de la garantía de emisiones exclusivamente por usar repuestos que no sean de Honda ni en el caso de tareas de servicio realizadas en otros centros que no sean un concesionario autorizado Honda; puede utilizar piezas certificadas por la EPA comparables, así como solicitar el servicio en talleres que no sean Honda. Sin embargo, el empleo de repuestos con una calidad y un diseño distintos a los originales puede deteriorar la efectividad del sistema de control de las emisiones.

Los fabricantes del mercado de repuestos asumen la responsabilidad de que el repuesto no afectará de forma adversa al rendimiento de las emisiones de escape. El fabricante o el reconstructor de los repuestos deberán certificar que el uso del repuesto no impedirá que el motor sea conforme con las normativas sobre las emisiones de escape.

## Mantenimiento

Como propietario del motor de equipos motorizados, usted es responsable de completar todo el mantenimiento necesario incluido en el manual del propietario. Honda recomienda que conserve todos los recibos que cubran el mantenimiento de su motor de equipos motorizados, pero Honda no puede denegar la cobertura de la garantía simplemente por no presentar un recibo o porque no haya podido garantizar la realización de todo el mantenimiento programado.

Siga el "PROGRAMA DE MANTENIMIENTO" de la página 6.

Recuerde que este programa se basa en la suposición de que el motor Honda se utiliza para su propósito original. El funcionamiento continuo con grandes cargas o altas temperaturas, o la utilización en entornos con polvo, requerirá que se realice el servicio con más frecuencia.

## Índice de aire

### (Modelos certificados para su venta en California)

A los motores que están certificados para un período de durabilidad de las emisiones de acuerdo con las estipulaciones del consejo de recursos del aire de California se les pone una etiqueta de información sobre el índice de aire. El gráfico de barras pretende ofrecerle a usted, nuestro cliente, la capacidad de comparar el rendimiento en materia de emisiones de los motores disponibles. Cuanto menor sea el índice de aire, menos contaminará. La descripción de la durabilidad le presenta información sobre el período de durabilidad de las emisiones del motor. El término descriptivo indica el período de vida útil para el sistema de control de emisiones del motor. Consulte la "GARANTÍA DEL SISTEMA DE CONTROL DE EMISIONES" (en la página 14).

| Término descriptivo | Aplicable al período de durabilidad de las emisiones                                             |
|---------------------|--------------------------------------------------------------------------------------------------|
| Moderada            | 50 horas (0-80 cc, incluido)<br>125 horas (superior a 80 cc)                                     |
| Intermedia          | 125 horas (0-80 cc, incluido)<br>250 horas (superior a 80 cc)                                    |
| Prolongada          | 300 horas (0-80 cc, incluido)<br>500 horas (superior a 80 cc)<br>1.000 horas (225 cc y superior) |

## GARANTÍA DEL SISTEMA DE CONTROL DE EMISIONES

Su motor de Honda Power Equipment está diseñado, fabricado y equipado para cumplir las normas de emisiones de la EPA estadounidense, el comité medioambiental de Canadá y el consejo de recursos del aire de California (solo modelos certificados para su venta en California) aplicables a los motores de encendido por chispa. American Honda Motor proporciona cobertura de la garantía de emisiones para los motores en los Estados Unidos y sus territorios. Honda Canada proporciona la garantía de emisiones para motores en las 13 provincias y territorios de Canadá.

## Cobertura de la garantía

Los motores de Honda Power Equipment certificados conformes con las normativas sobre emisiones de la EPA estadounidense, el comité medioambiental de Canadá y el estado de California (solo modelos certificados para su venta en California) están cubiertos por esta garantía de desperfectos de los materiales y mano de obra que pudieran evitar que cumplan los requisitos sobre emisiones de escape de la EPA, CARB y Canadá aplicables durante un mínimo de 2 años o la duración de la garantía limitada del distribuidor de Honda Power Equipment (el período que sea más extenso), desde la fecha original de entrega al comprador minorista. Esta garantía es transferible a cada comprador posterior durante la duración del período de la garantía. Las reparaciones en garantía se realizarán sin coste en concepto de diagnósticos, repuestos y mano de obra. Para obtener información sobre cómo hacer una reclamación de garantía, así como una descripción de cómo se puede realizar una reclamación o cómo se proporciona el servicio, póngase en contacto con un distribuidor de Honda Power Equipment o con:

American Honda

Correo electrónico: [powerequipmentemissions@ahm.honda.com](mailto:powerequipmentemissions@ahm.honda.com)

Teléfono: (888) 888-3139

Honda Canada

Teléfono: (888) 946-6329

Los componentes cubiertos incluyen todos los componentes cuyo fallo aumentaría los requisitos sobre emisiones o contaminantes regulados de un motor. Puede ver una lista de componentes específicos en la declaración de la garantía sobre emisiones que se incluye por separado.

Las condiciones específicas de la garantía, cobertura, limitaciones y forma de solicitar el servicio de garantía también se establecen en la declaración de la garantía sobre emisiones que se incluye por separado. Además, la declaración de la garantía sobre emisiones también se puede consultar en el sitio web de Honda Power Equipment o en el enlace siguiente:

<http://powerequipment.honda.com/support/warranty>

## Especificaciones

### Tipo KRE (tipo básico)

|                                     |                                                          |
|-------------------------------------|----------------------------------------------------------|
| Longitud×Anchura×Altura             | 266×306×290 mm                                           |
| Masa en seco [peso]                 | 10,9 kg                                                  |
| Tipo de motor                       | Cuatro tiempos, árbol de levas en cabeza, monocilíndrico |
| Cilindrada<br>[Diámetro × carrera]  | 98,5 cm <sup>3</sup><br>[56,0×40,0 mm]                   |
| Potencia neta<br>(según SAE J1349*) | 2,1 kW (2,9 CV) a 3.600 min <sup>-1</sup> (rpm)          |
| Par máx. neto<br>(según SAE J1349*) | 5,7 N·m (0,58 kgf·m) a 3.600 min <sup>-1</sup> (rpm)     |
| Capacidad del aceite del motor*1    | 0,28 L                                                   |
| Sistema de refrigeración            | Aire forzado                                             |
| Sistema de encendido                | Magneto de transistor                                    |
| Rotación del eje de la TDF          | Hacia la izquierda                                       |

\* 1: Cuando el ángulo de montaje en el martillo neumático es de 15°.

\* La potencia nominal del motor indicada en este documento es la potencia de salida neta probada en un modelo de motor fabricado en serie y medida conforme a la norma SAE J1349 a 3.600 min<sup>-1</sup> (rpm) (potencia neta) y a 3.600 min<sup>-1</sup> (rpm) (par motor neto máx.). Los motores de producción de masas pueden tener un valor distinto a este. La potencia de salida real del motor instalado en el vehículo final variará dependiendo de numerosos factores, entre los que destacan la velocidad de funcionamiento aplicada al motor, las condiciones medioambientales, el mantenimiento y otras variables.

## Especificaciones de reglaje

| ELEMENTO                     | ESPECIFICACIÓN                                   | MANTENIMIENTO                                |
|------------------------------|--------------------------------------------------|----------------------------------------------|
| Huelgo de bujía              | 0,6–0,7 mm                                       | Consultar la página 9                        |
| Velocidad de ralentí         | $1.850 \pm 150 \text{ min}^{-1}$ (rpm)           | Consulte el manual de taller                 |
| Holgura de la válvula (frío) | AD: $0,15 \pm 0,04$ mm<br>ES: $0,20 \pm 0,04$ mm | Consulte a su concesionario autorizado Honda |
| Otras especificaciones       | No se necesita ningún otro ajuste.               |                                              |

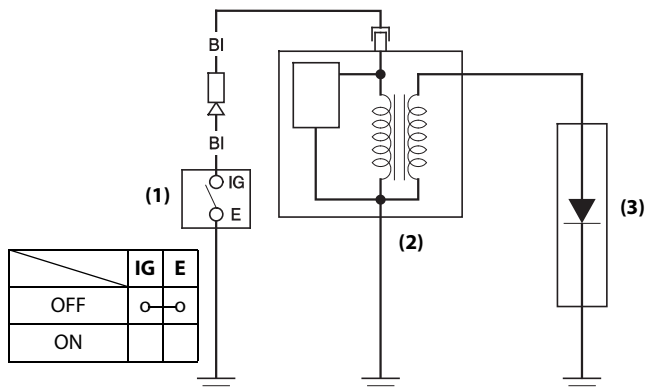
## Información de referencia rápida

|                  |                                                                                                                                                                                   |                                        |
|------------------|-----------------------------------------------------------------------------------------------------------------------------------------------------------------------------------|----------------------------------------|
| Combustible      | Gasolina sin plomo (Consulte la página 7)                                                                                                                                         |                                        |
|                  | EE.UU.                                                                                                                                                                            | 86 octanos de bomba o superior         |
|                  | Excepto EE.UU.                                                                                                                                                                    | 91 octanos de investigación o superior |
| Aceite del motor | SAE 10W-30, API SJ o posterior, para usos generales. Consultar la página 7.                                                                                                       |                                        |
| Bujía            | CR5HSB (NGK)<br>U16FSR-UB (DENSO) (Consulte la página 9)                                                                                                                          |                                        |
| Mantenimiento    | Antes de cada uso:                                                                                                                                                                |                                        |
|                  | <ul style="list-style-type: none"> <li>• Compruebe el nivel de aceite del motor. Consultar la página 7.</li> <li>• Compruebe el filtro de aire. Consultar la página 8.</li> </ul> |                                        |
|                  | Primeras 20 horas:<br>Cambie el aceite del motor. Consultar la página 8.                                                                                                          |                                        |
|                  | Sigüientes:<br>Consultar el programa de mantenimiento de la página 6.                                                                                                             |                                        |

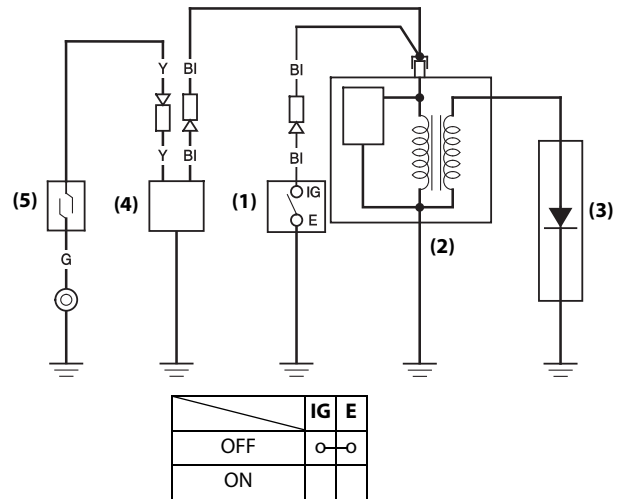
## Diagrama de conexiones

El diagrama de conexiones puede variar según el tipo.

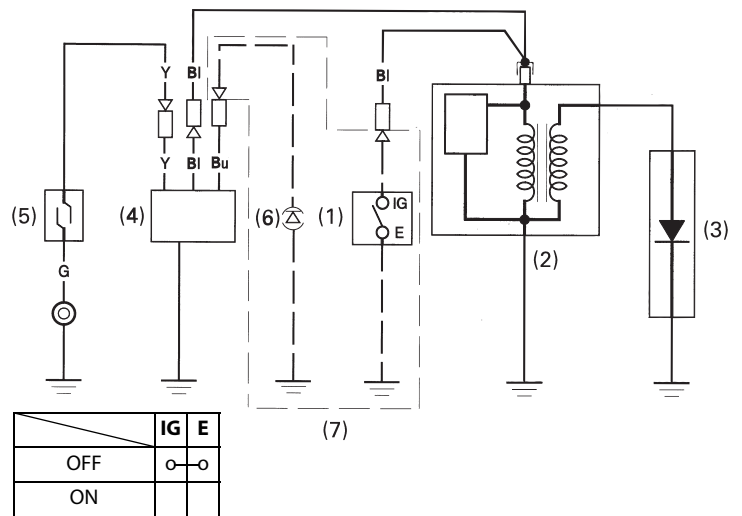
### Sin Oil Alert



### Con Oil Alert



### Con Oil Alert y LED



- (1) INTERRUPTOR DEL MOTOR (5) INTERRUPTOR DE NIVEL DE ACEITE  
 (2) BOBINA DE ENCENDIDO (6) LED  
 (3) BUJÍA (7) PIEZAS OEM  
 (4) UNIDAD OIL ALERT

|    |          |    |             |
|----|----------|----|-------------|
| Bl | Negro    | Br | Marrón      |
| Y  | Amarillo | O  | Naranja     |
| Bu | Azul     | Lb | Azul claro  |
| G  | Verde    | Lg | Verde claro |
| R  | Rojo     | P  | Rosa        |
| W  | Blanco   | Gr | Gris        |

## INFORMACIÓN DEL CONSUMIDOR

### INFORMACIÓN PARA ENCONTRAR DISTRIBUIDORES/CONCESIONARIOS

#### Estados Unidos, Puerto Rico, e Islas Vírgenes Estadounidenses:

Visite nuestro sitio en la Web: [www.honda-engines.com](http://www.honda-engines.com)

#### Canadá:

Llame al (888) 9HONDA9

o visite nuestro sitio Web: [www.honda.ca](http://www.honda.ca)

#### Para la zona de Europa:

Visite nuestro sitio en la Web: <http://www.honda-engines-eu.com>

#### Australia:

Llame al (03) 9270 1348

o visite nuestro sitio en la Web: [www.hondampe.com.au](http://www.hondampe.com.au)

### INFORMACIÓN DE SERVICIO PARA CLIENTES

El personal de los concesionarios de servicio son profesionales entrenados. Ellos podrán contestar a cualquier pregunta que usted les haga. Si se encuentra con un problema que su concesionario no puede resolver para dejarle satisfecho, comuníquese al jefe del concesionario. El jefe de servicio, el director general, o el propietario podrán ayudarle. Casi todos los problemas se resuelven de este modo.

#### Estados Unidos, Puerto Rico, e Islas Vírgenes Estadounidenses:

Si no queda satisfecho con la decisión tomada por los jefes del concesionario, póngase en contacto con el distribuidor regional de motores Honda de su localidad.

Si todavía no está satisfecho después de hablar con el distribuidor de motor regional, podrá ponerse en contacto con la Oficina de Honda como se muestra.

#### Todas las otras zonas:

Si no queda satisfecho con la decisión tomada por los jefes del concesionario, póngase en contacto con la Oficina de Honda como se muestra.

#### «Oficina de Honda»

Cuando escriba o llame, tenga la amabilidad de incluir la información siguiente:

- Nombre del fabricante y número de modelo del equipo al que se ha montado el motor
- Modelo, número de serie, y tipo del motor (vea la página 13)
- Nombre del concesionario que le vendió el motor
- Nombre, dirección, y persona de contacto del concesionario que realiza el servicio de su motor
- Fecha de adquisición
- Su nombre, dirección y número de teléfono
- Una descripción detallada del problema

#### Estados Unidos, Puerto Rico, e Islas Vírgenes Estadounidenses:

##### American Honda Motor Co., Inc.

Power Equipment Division  
Oficina de relaciones con el cliente  
4900 Marconi Drive  
Alpharetta, GA 30005-8847

O teléfono:

(770) 497-6400

(888) 888-3139 sin costo

L-V 9:00 a.m. - 7:30 p.m. hora del este

#### Canadá:

##### Honda Canada, Inc.

Visite [www.honda.ca](http://www.honda.ca)  
para obtener información sobre direcciones

Teléfono: (888) 9HONDA9 Llamada gratuita

(888) 946-6329

Fax: (877) 939-0909 Llamada gratuita

#### Australia:

##### Honda Australia Motorcycle and Power Equipment Pty. Ltd.

1954-1956 Hume Highway  
Campbellfield Victoria 3061

Teléfono: (03) 9270 1111

Fax: (03) 9270 1133

#### Para la zona de Europa:

##### Honda Motor Europe Logistics NV.

European Engine Center

<http://www.honda-engines-eu.com>

#### Todas las otras zonas:

Póngase en contacto con el distribuidor Honda de su zona para que le ayude.

# HONDA